



US00D907071S

(12) **United States Design Patent**
Lefgren

(10) **Patent No.:** **US D907,071 S**

(45) **Date of Patent:** **** Jan. 5, 2021**

- (54) **AUGER STOPPER**
- (71) Applicant: **April Christine Cottle**, Columbus, OH (US)
- (72) Inventor: **James Isaacson Lefgren**, Richmond, UT (US)
- (**) Term: **15 Years**
- (21) Appl. No.: **29/664,371**
- (22) Filed: **Sep. 24, 2018**
- (51) **LOC (13) Cl.** **15-03**
- (52) **U.S. Cl.**
USPC **D15/28**; D15/21
- (58) **Field of Classification Search**
USPC D15/28, 21, 29, 132, 138, 139, 143;
D8/70, 86
CPC B65G 33/265; E21C 25/58; E21C 25/00;
E21B 10/44
See application file for complete search history.

- 6,119,787 A * 9/2000 Garcia A01B 1/065
172/25
- D627,807 S * 11/2010 Tosti D15/139
- D635,599 S * 4/2011 Furseth D15/139
- D651,271 S * 12/2011 Edelman D21/791
- D685,248 S * 7/2013 Lee D8/77
- D742,422 S * 11/2015 Lowe D15/21
- D768,742 S * 10/2016 Charbonneau D15/139
- D772,305 S * 11/2016 Matthias D15/21
- D803,653 S * 11/2017 Smith D8/70
- D828,134 S * 9/2018 Gravina D8/70
- D856,386 S * 8/2019 Banjo D15/139
- D860,297 S * 9/2019 Brooks D16/242

* cited by examiner

Primary Examiner — Mark A Goodwin

(57) **CLAIM**

The ornamental design for an auger stopper, as shown and described.

DESCRIPTION

FIG. 1—is a ¾ top perspective view of the auger stopper
FIG. 2—is a ¾ bottom perspective view of the auger stopper
FIG. 3—is a side view of the auger stopper; and,
FIG. 4—is a reduced side view of the auger stopper. The broken line showing of a drill and auger is included for the purpose of illustrating environmental structure only and forms no part of the claimed design.

1 Claim, 4 Drawing Sheets

- (56) **References Cited**
U.S. PATENT DOCUMENTS
3,561,540 A * 2/1971 Kaszkurewicz A01C 11/00
172/111
D391,276 S * 2/1998 Roth D15/138
5,882,151 A * 3/1999 Wirth, Jr. B23B 49/005
408/110
D412,711 S * 8/1999 Bruns D15/29

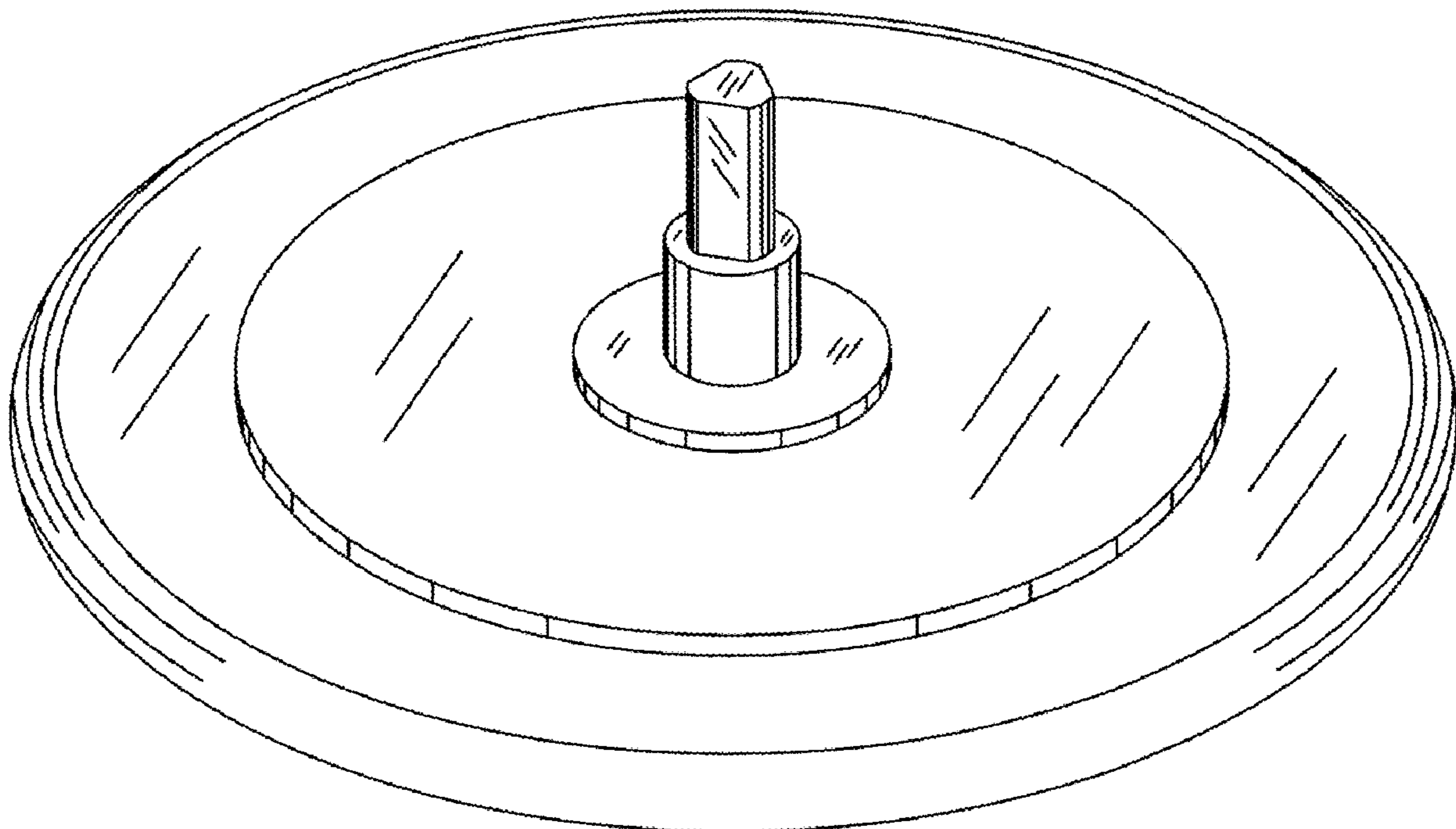


Fig. 1

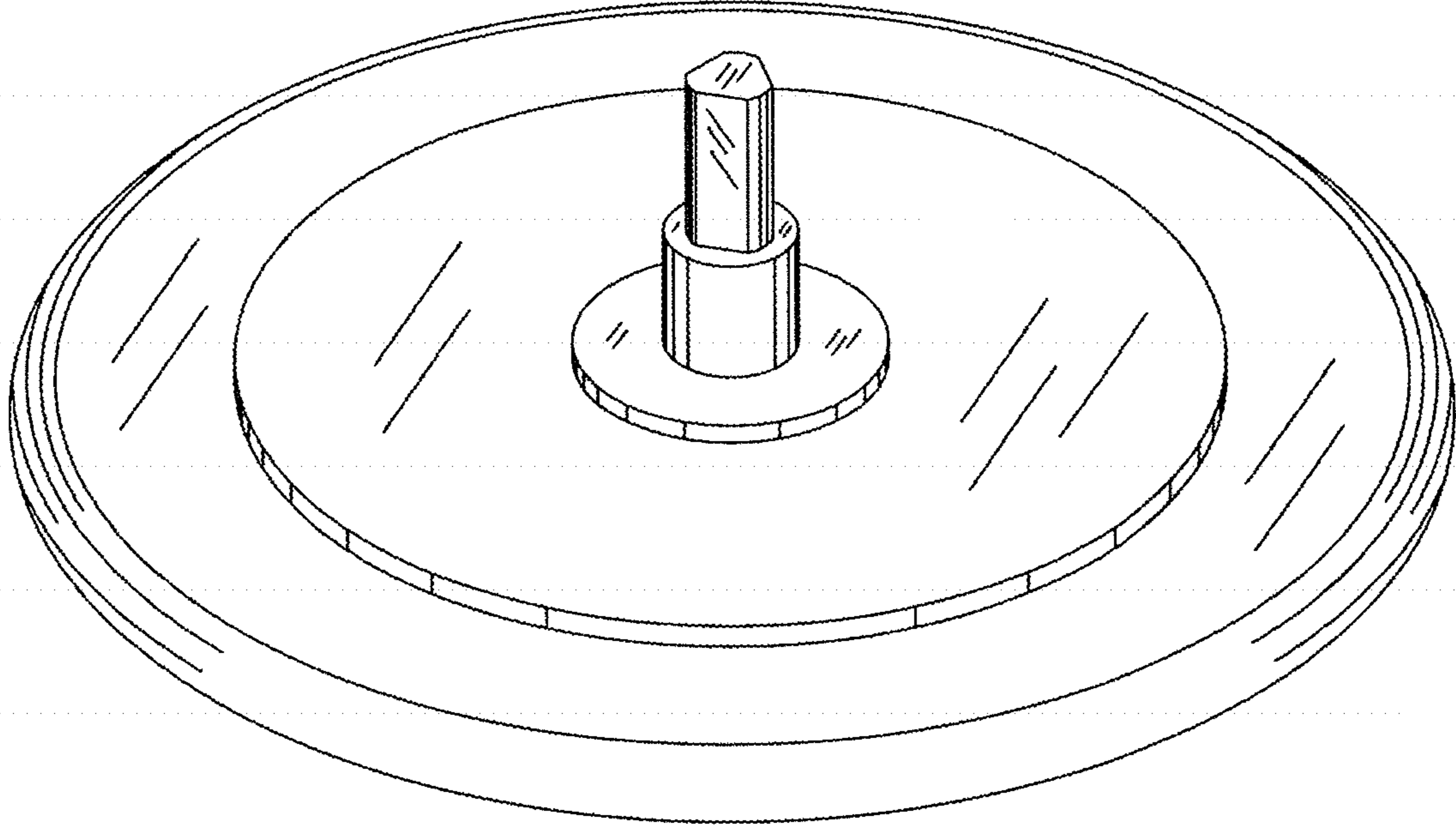


Fig. 2

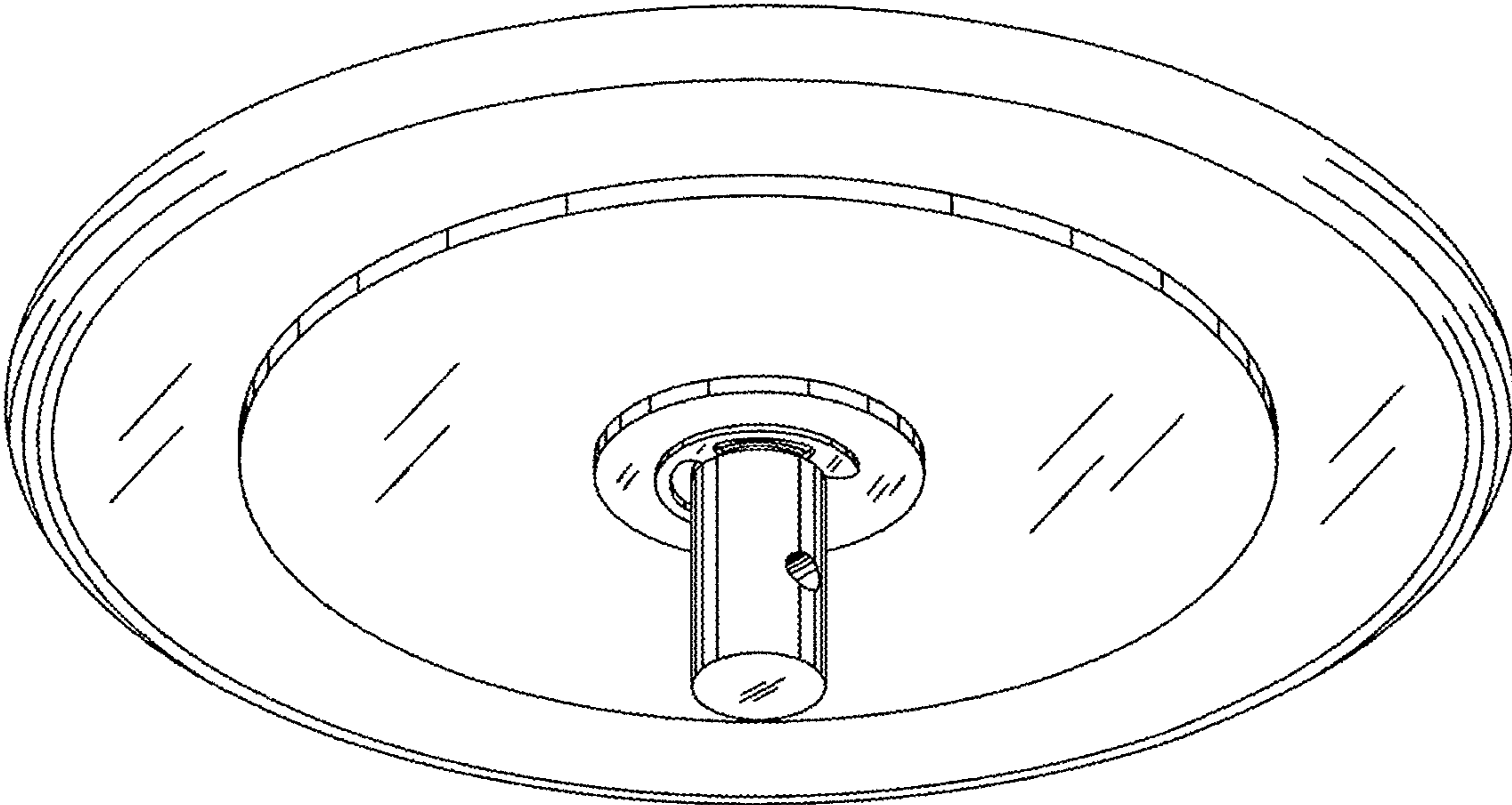


Fig. 3

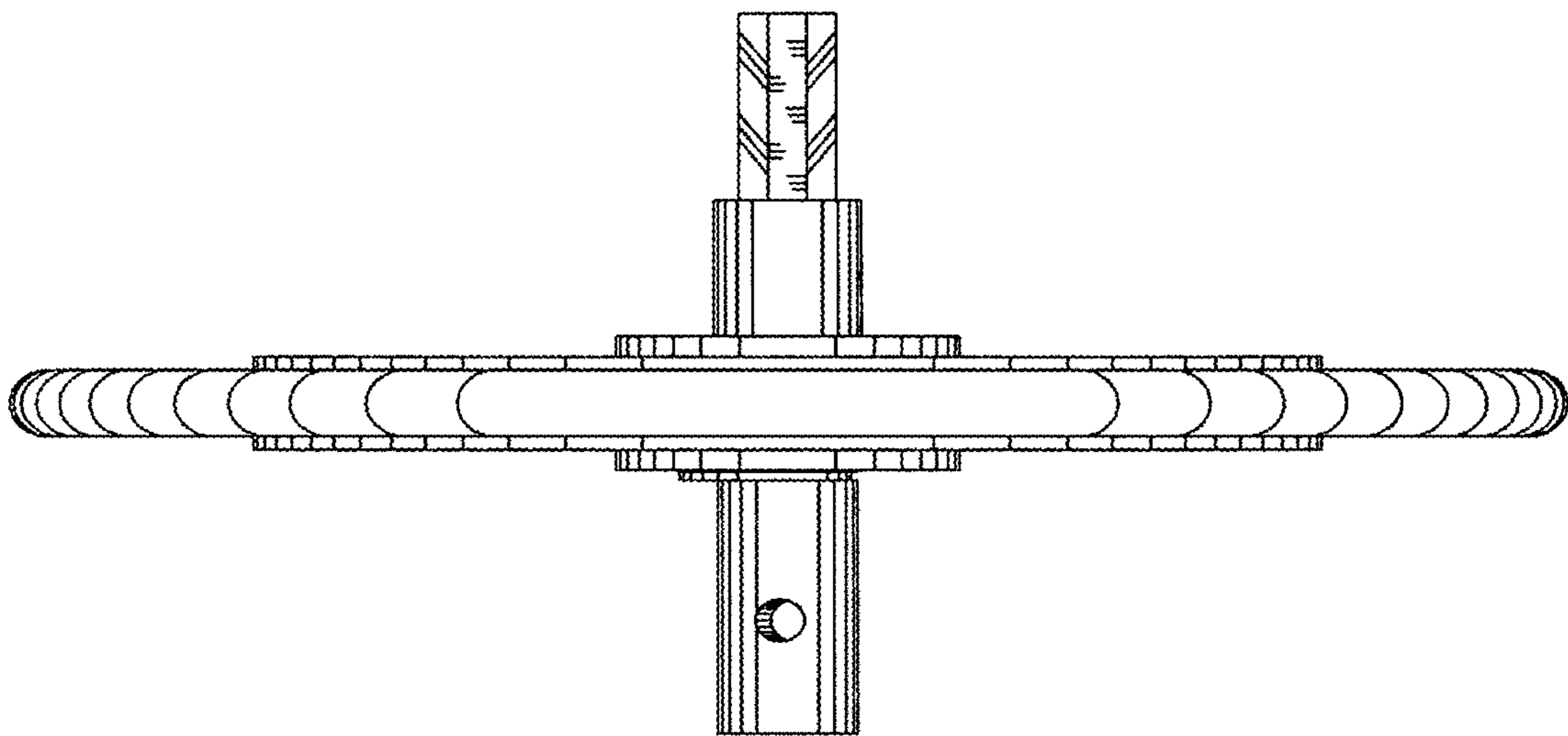


Fig. 4

