



US00D907070S

(12) **United States Design Patent**  
**Kelly**

(10) **Patent No.:** **US D907,070 S**  
(45) **Date of Patent:** **\*\* Jan. 5, 2021**

(54) **AGRICULTURAL IMPLEMENT**

- (71) Applicant: **Haidnay Innovation Company Pty Ltd**, Booleroo Centre (AU)
- (72) Inventor: **Shane Peter Kelly**, Booleroo Centre (AU)
- (73) Assignee: **Haidnay Innovation Company Pty Ltd**, South Australia (AU)

(\*\*) Term: **15 Years**

(21) Appl. No.: **29/743,344**

(22) Filed: **Jul. 21, 2020**

(30) **Foreign Application Priority Data**

Feb. 10, 2020 (AU) ..... 202010762

(51) **LOC (13) Cl.** ..... **15-03**

(52) **U.S. Cl.**  
USPC ..... **D15/27**

(58) **Field of Classification Search**

USPC ..... D15/10, 11, 27, 28, 29, 33, 17; 172/579, 172/311, 568, 612, 468, 637, 662, 684.5, 172/689, 551, 576, 595, 455, 518, 527, 172/567, 586, 142, 152, 154, 178, 181, 172/196, 442, 440, 441, 314, 548, 454, 172/583, 140, 776, 22, 145-147, 175, 172/669, 657

CPC ..... A01B 23/06; A01B 23/00; A01B 21/08; A01B 21/00-086; A01B 31/00; A01B 19/00; A01B 19/08; A01B 7/00; A01B 25/00; A01B 49/02; A01B 49/027; F16G 13/00

See application file for complete search history.

(56) **References Cited**

**U.S. PATENT DOCUMENTS**

- 2,632,987 A \* 3/1953 Jones ..... A01B 23/046  
172/568
- 2,905,254 A \* 9/1959 Hayse ..... A01B 21/083  
172/413
- 3,223,178 A \* 12/1965 Jones ..... A01B 23/046  
172/582
- 3,327,787 A \* 6/1967 Adee ..... A01B 21/083  
172/311

(Continued)

**OTHER PUBLICATIONS**

Drawing of agricultural implement on sale more than one year prior to filing date of present application.

(Continued)

*Primary Examiner* — Mark A Goodwin

(74) *Attorney, Agent, or Firm* — Erickson Kernell IP, LLC; Kent R. Erickson

(57) **CLAIM**

The ornamental design for an agricultural implement, as shown and described.

**DESCRIPTION**

FIG. 1 is a perspective view of an agricultural implement; FIG. 2 is a top plan view of the agricultural implement as in FIG. 1;

FIG. 3 is a bottom plan view of the agricultural implement as in FIG. 1;

FIG. 4 is a front elevational view of the agricultural implement as in FIG. 1;

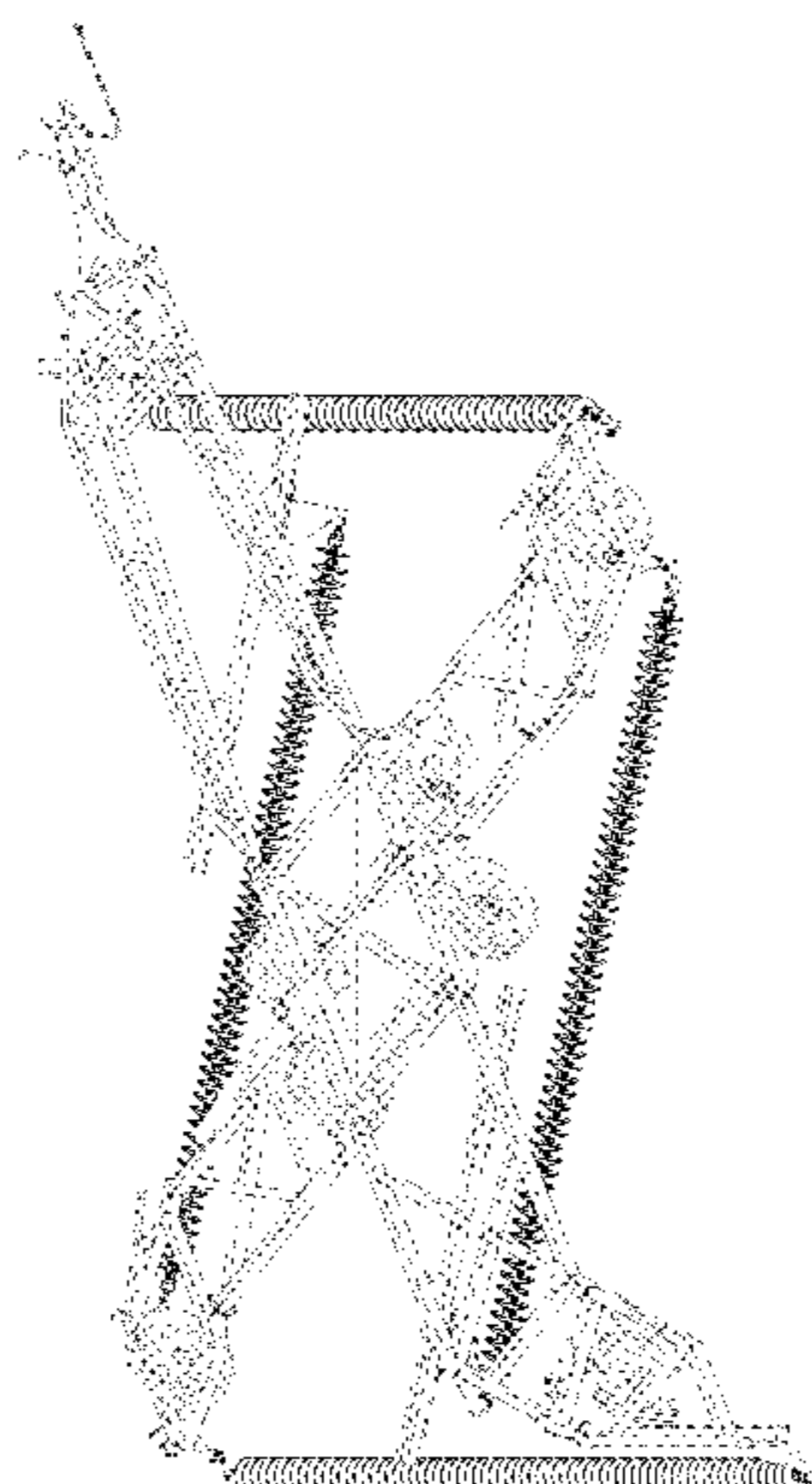
FIG. 5 is a rear elevational view of the agricultural implement as in FIG. 1;

FIG. 6 is a left side elevational view of the agricultural implement as in FIG. 1; and,

FIG. 7 is a right side elevational view of the agricultural implement as in FIG. 1.

The broken lines in the drawings are included for the purpose of depicting portions of the agricultural implement and form no part of the claim.

**1 Claim, 5 Drawing Sheets**



(56)

References Cited

U.S. PATENT DOCUMENTS

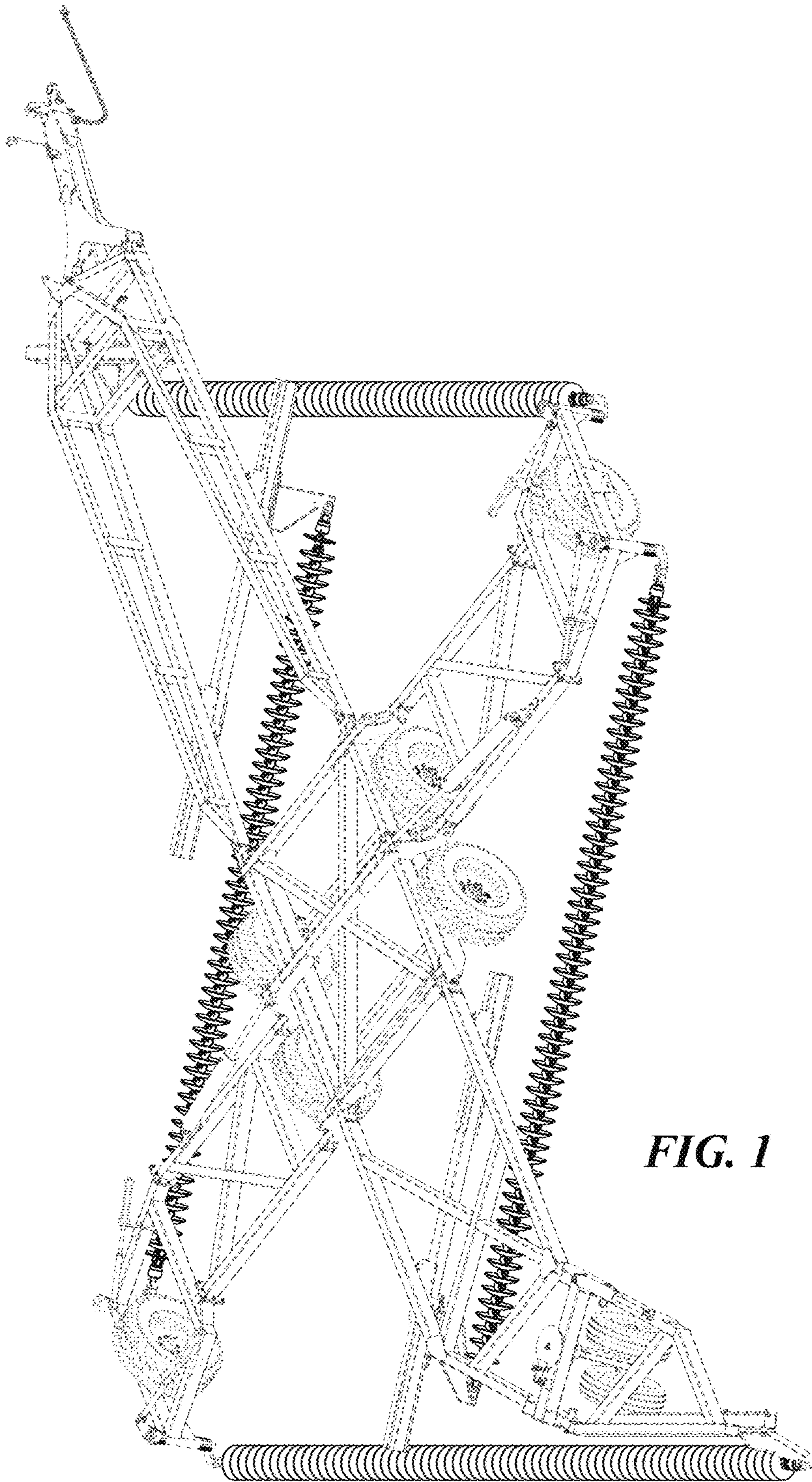
3,620,310 A \* 11/1971 Richey ..... A01B 61/04  
172/600  
3,731,747 A \* 5/1973 Frank ..... A01B 21/083  
172/311  
3,734,199 A \* 5/1973 Tsuchiya ..... A01B 21/083  
172/572  
3,845,825 A \* 11/1974 Boone ..... A01B 21/08  
172/158  
D234,619 S \* 3/1975 Oelschlaeger et al. .... D15/27  
4,044,842 A \* 8/1977 Worick ..... A01B 23/046  
172/314  
4,113,028 A \* 9/1978 Glueck ..... A01B 63/32  
172/178  
4,150,725 A \* 4/1979 Crumrine ..... A01B 23/046  
172/311  
D258,657 S \* 3/1981 Stark ..... D15/27  
5,881,820 A \* 3/1999 Baker ..... A01B 21/04  
172/196  
7,578,356 B2 \* 8/2009 Newman ..... A01B 21/083  
172/264  
7,607,489 B2 \* 10/2009 Kelly ..... A01B 23/06  
172/311  
D615,107 S \* 5/2010 Kelly ..... A01B 23/06  
D15/28  
D615,108 S \* 5/2010 Kelly ..... A01B 21/08  
D15/28  
D615,562 S \* 5/2010 Kelly ..... A01B 21/08  
D15/27

D624,938 S \* 10/2010 Kelly ..... A01B 21/08  
D15/28  
D625,339 S \* 10/2010 Monk ..... D15/11  
D628,600 S \* 12/2010 Hicks ..... D15/27  
7,857,073 B2 \* 12/2010 Kelly ..... A01B 21/08  
172/311  
D635,590 S \* 4/2011 Kovach ..... D15/11  
D667,847 S \* 9/2012 Kovach ..... A01B 49/027  
D15/11  
D748,678 S \* 2/2016 Kelly ..... D15/27  
D760,299 S \* 6/2016 Achten ..... D15/11  
D813,915 S \* 3/2018 Horsch ..... D15/27  
D835,161 S \* 12/2018 Blackwell ..... D15/27  
2003/0085044 A1 \* 5/2003 McFarlane ..... A01B 49/027  
172/146  
2004/0016554 A1 \* 1/2004 McDonald ..... A01B 49/027  
172/146  
2010/0084148 A1 \* 4/2010 Kovach ..... A01B 49/027  
172/145  
2010/0276166 A1 \* 11/2010 Kovach ..... A01B 49/02  
172/158  
2010/0276167 A1 \* 11/2010 Kovach ..... A01B 49/02  
172/158

OTHER PUBLICATIONS

Photographs of agricultural implements believed to be on sale more than one year prior to filing date of present application; pp. 1-4.

\* cited by examiner



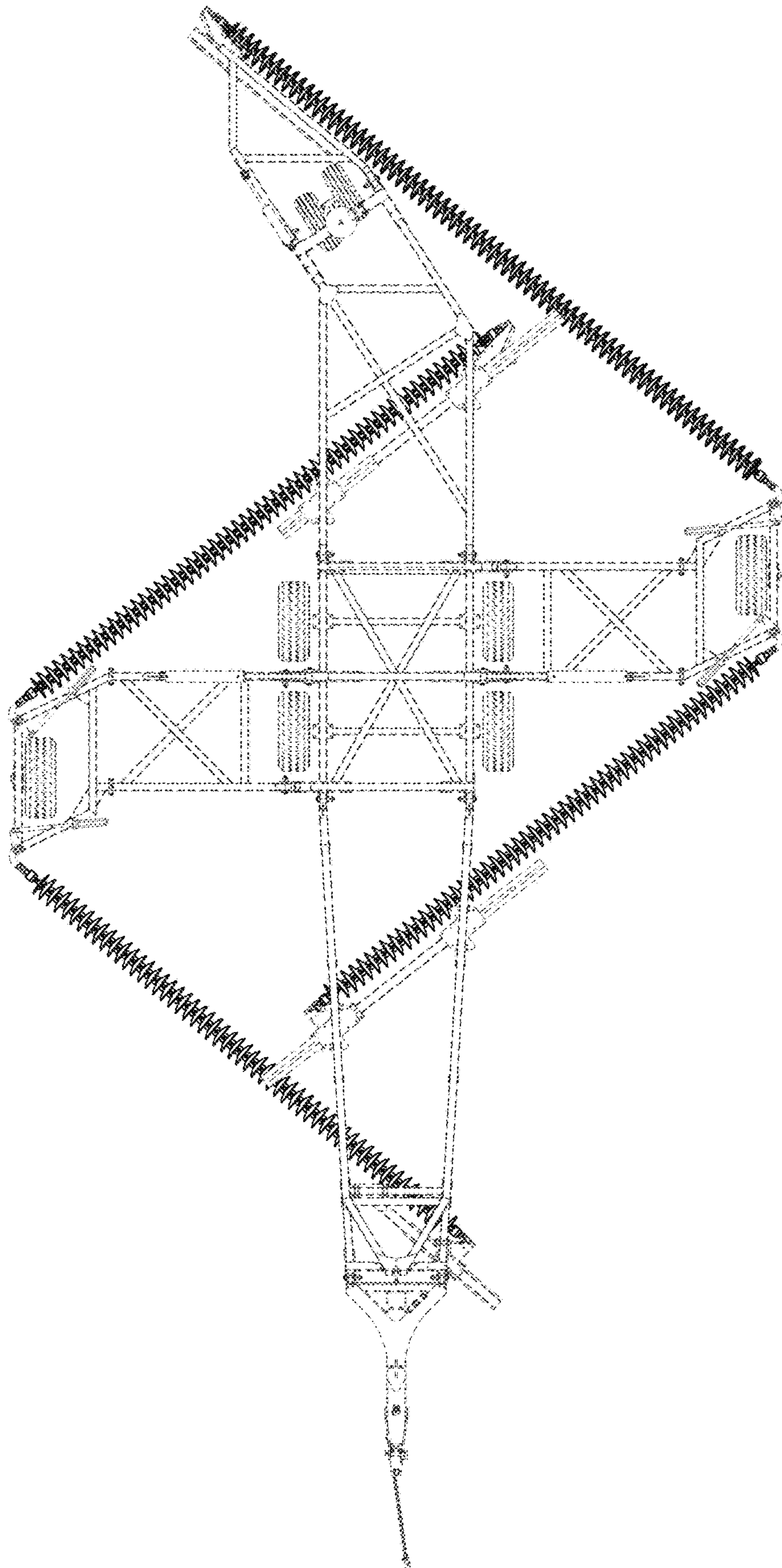


FIG. 2

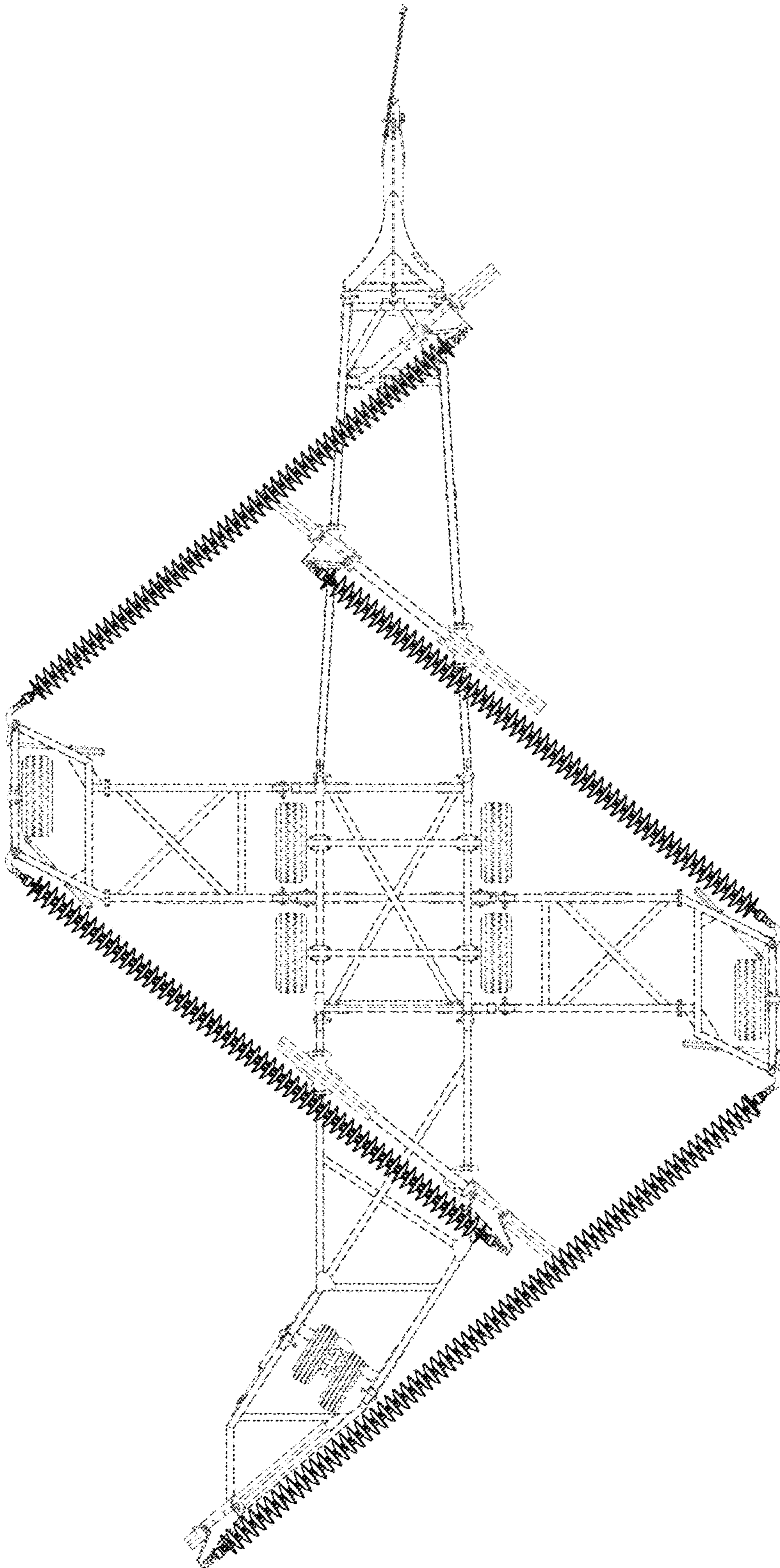


FIG. 3

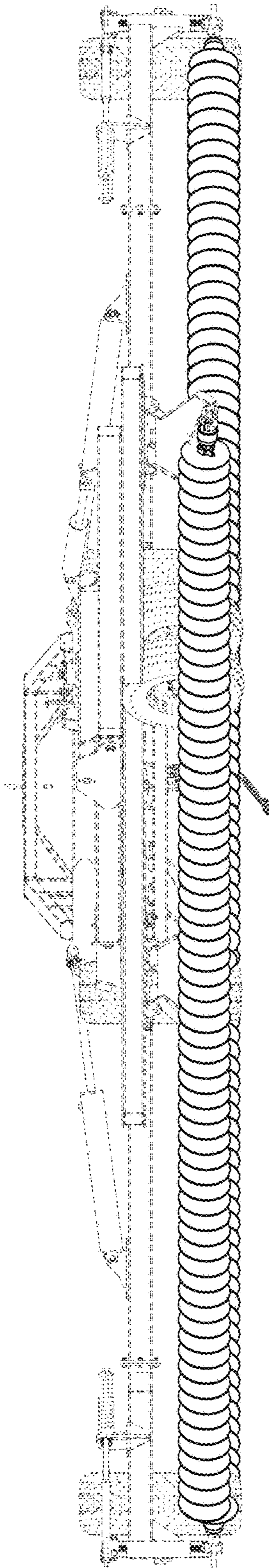


FIG. 4

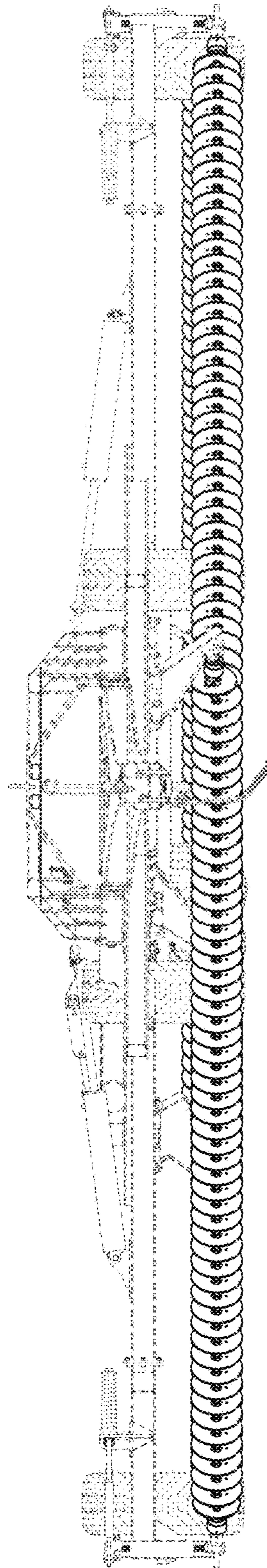


FIG. 5

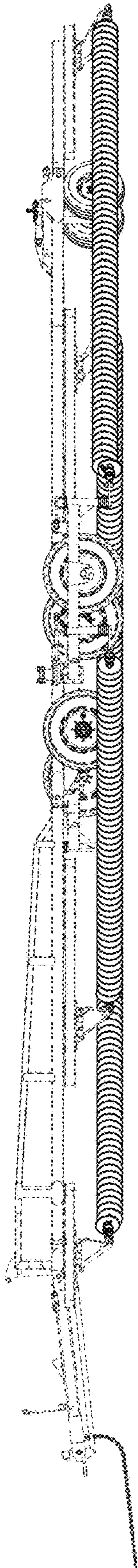


FIG. 6

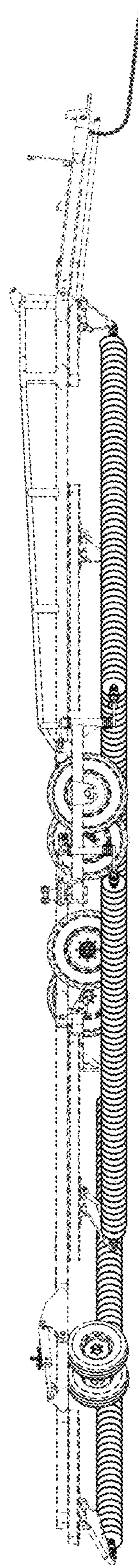


FIG. 7