



US00D907069S

(12) **United States Design Patent**
Bell et al.

(10) **Patent No.:** **US D907,069 S**
(45) **Date of Patent:** **** Jan. 5, 2021**

- (54) **GRAIN DRYING ADAPTER**
- (71) Applicant: **ConleyMax Inc.**, Calgary (CA)
- (72) Inventors: **Patrick G. Bell**, Calgary (CA);
William N. Beckie, Calgary (CA)
- (73) Assignee: **ConleyMax Inc.**, Calgary (CA)
- (**) Term: **15 Years**
- (21) Appl. No.: **29/713,051**
- (22) Filed: **Nov. 13, 2019**

D308,526 S *	6/1990	Stalder	D15/10
5,156,570 A *	10/1992	Justice, III	A01D 41/133
				460/118
D338,892 S *	8/1993	Crawford	D15/10
5,468,187 A *	11/1995	Edwards, Jr.	A23N 12/005
				460/126
D873,864 S *	1/2020	Bell	D15/10
2004/0022627 A1*	2/2004	Hanchett	F04D 29/441
				415/211.2
2010/0170105 A1*	7/2010	Burns	F26B 9/063
				34/475
2011/0167667 A1*	7/2011	Zoucha	F26B 17/14
				34/267
2018/0283787 A1*	10/2018	Bell	F26B 9/063
2019/0293350 A1*	9/2019	Bell	F26B 19/005

* cited by examiner

Related U.S. Application Data

- (62) Division of application No. 29/598,907, filed on Mar. 29, 2017, now Pat. No. Des. 873,864.
- (51) **LOC (13) Cl.** **15-03**
- (52) **U.S. Cl.**
USPC **D15/10; D15/144**
- (58) **Field of Classification Search**
USPC **D15/10, 17, 28, 144**
CPC **F26B 19/005; F26B 9/103; F26B 3/06;**
F26B 3/02; F26B 2200/06
See application file for complete search history.

Primary Examiner — Mark A Goodwin

(74) *Attorney, Agent, or Firm* — HEA Law PLLC; Darrin A. Auito

(57) **CLAIM**

The ornamental design for a grain drying adapter, as shown and described.

DESCRIPTION

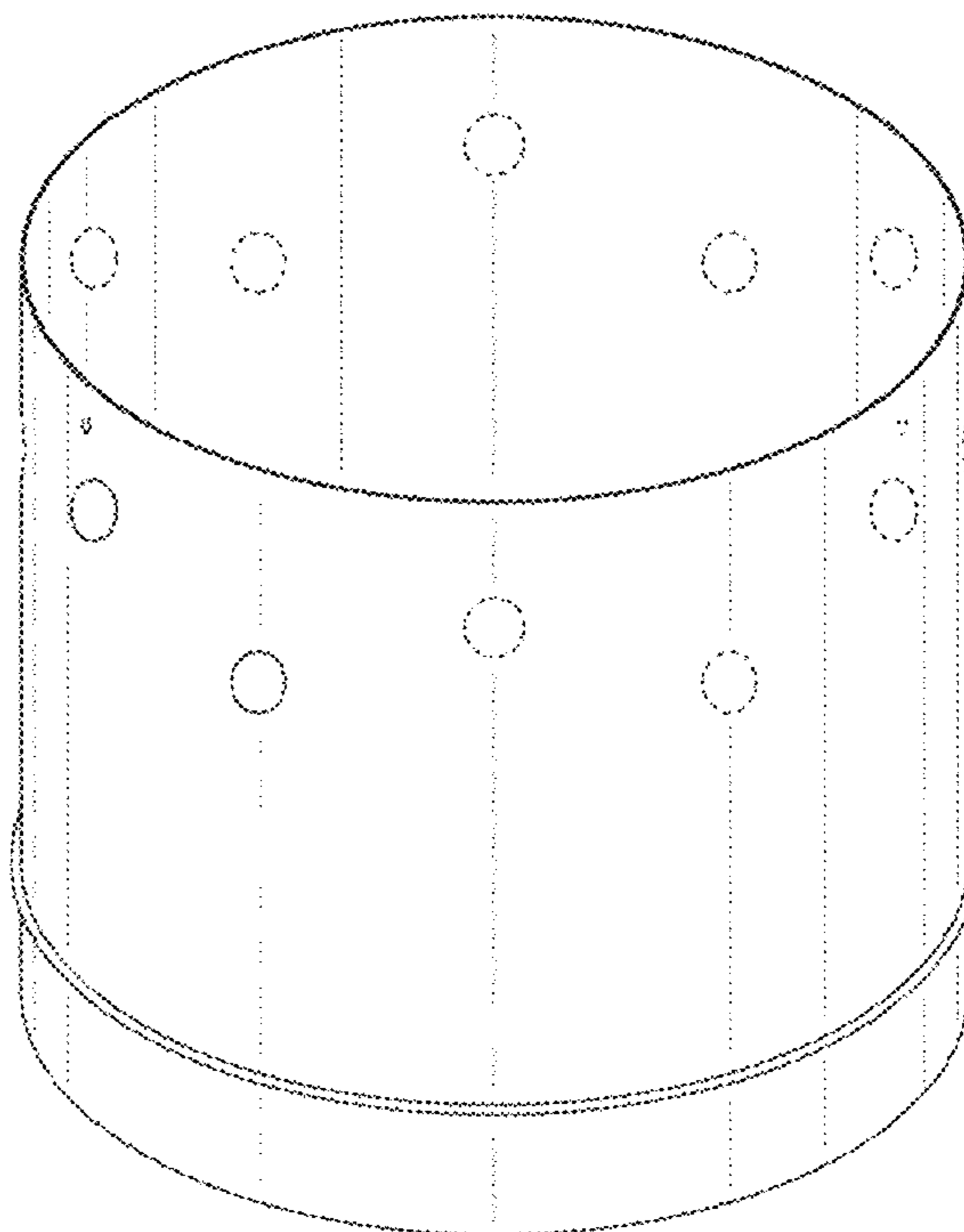
FIG. 1 is a perspective view of a grain drying adapter showing our new design;
 FIG. 2 is a front side view thereof;
 FIG. 3 is a back side view thereof;
 FIG. 4 is a left side view thereof;
 FIG. 5 is a right side view thereof;
 FIG. 6 is a top view thereof; and,
 FIG. 7 is a bottom view thereof.
 The broken lines form no part of the claimed design.

(56) **References Cited**

U.S. PATENT DOCUMENTS

2,714,258 A *	8/1955	Smith	F26B 21/00
				34/214
4,307,701 A *	12/1981	Balon	F24H 3/0488
				126/110 B
4,754,557 A *	7/1988	Anderson	F26B 9/103
				34/174

1 Claim, 7 Drawing Sheets



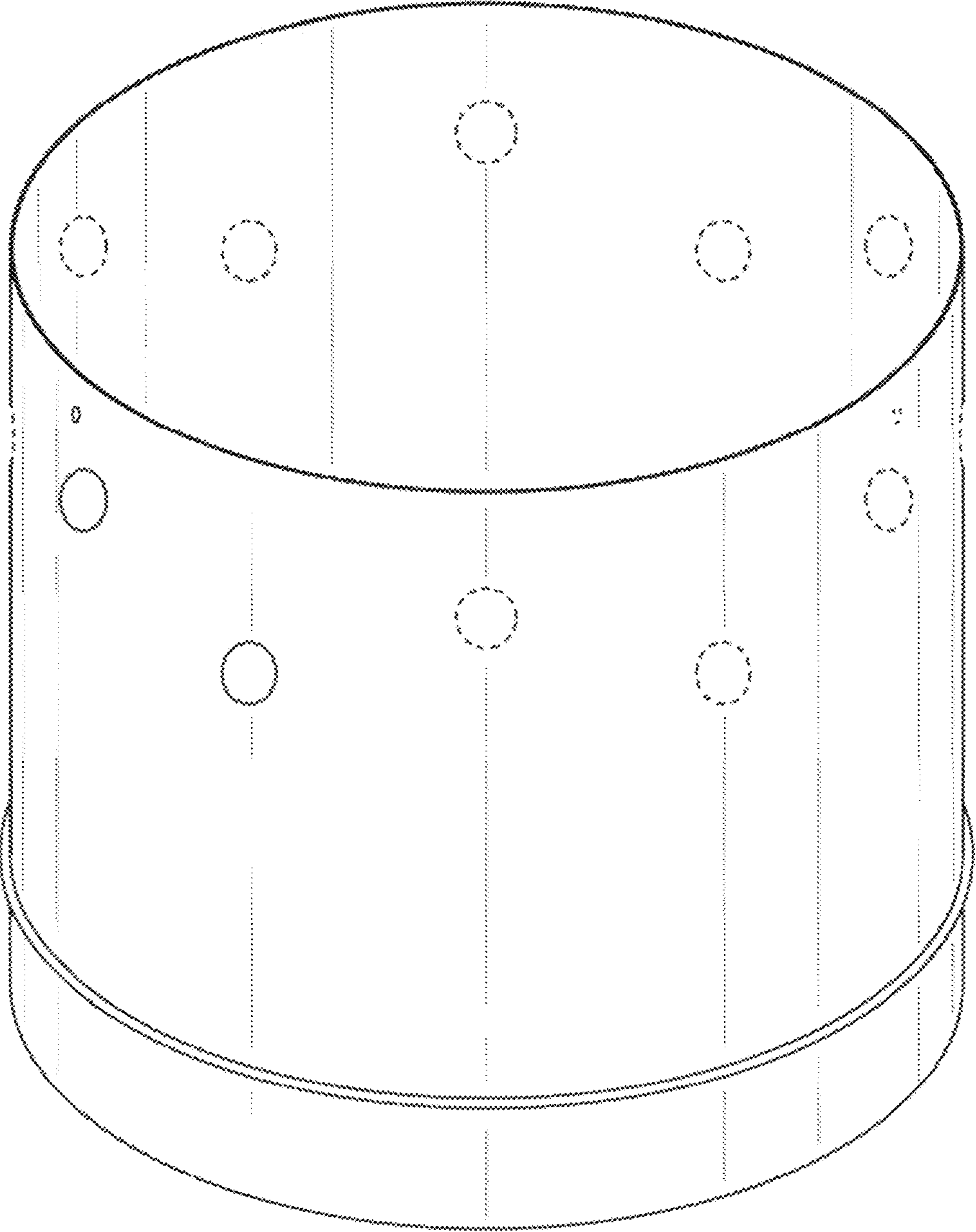


FIG. 1

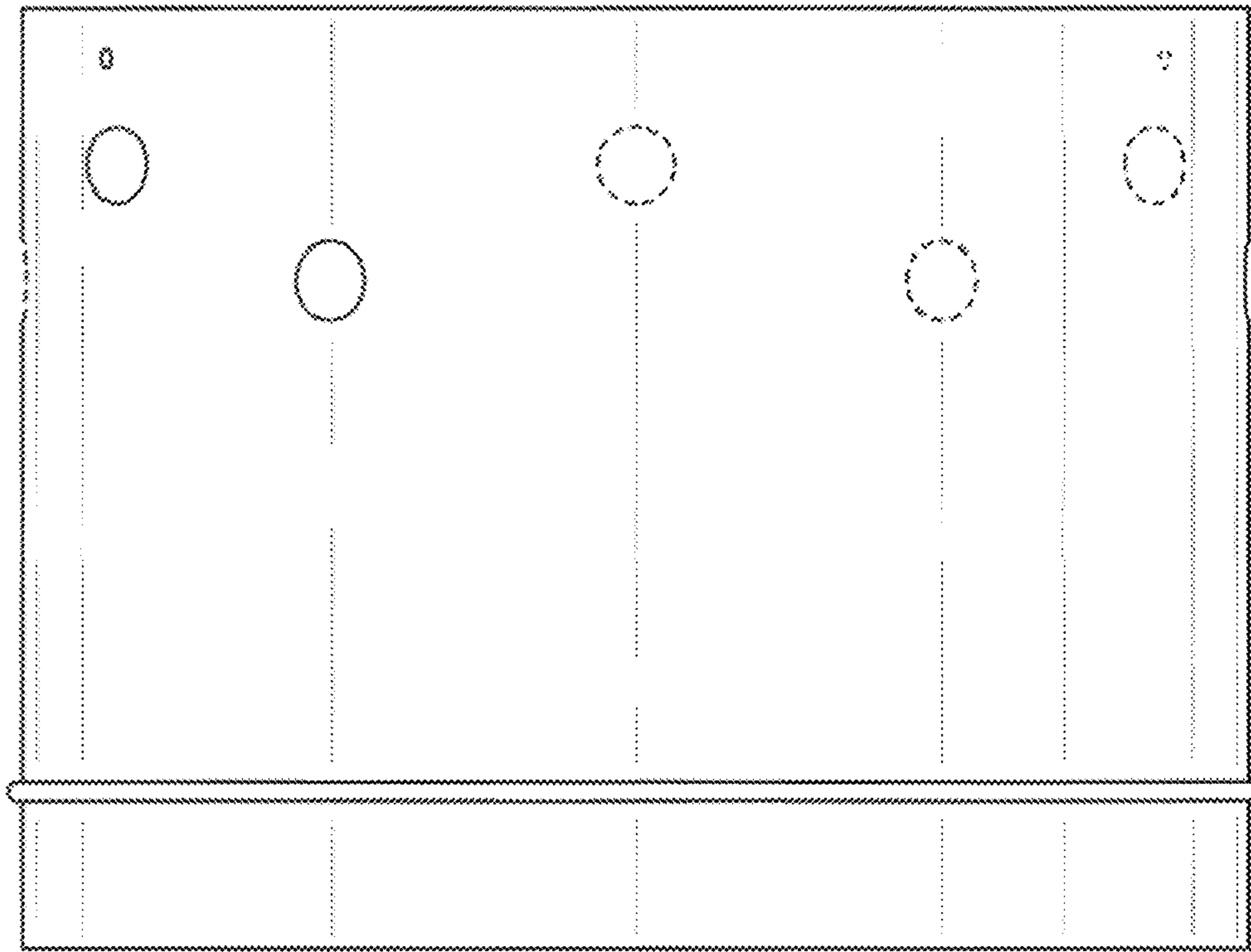


FIG. 2

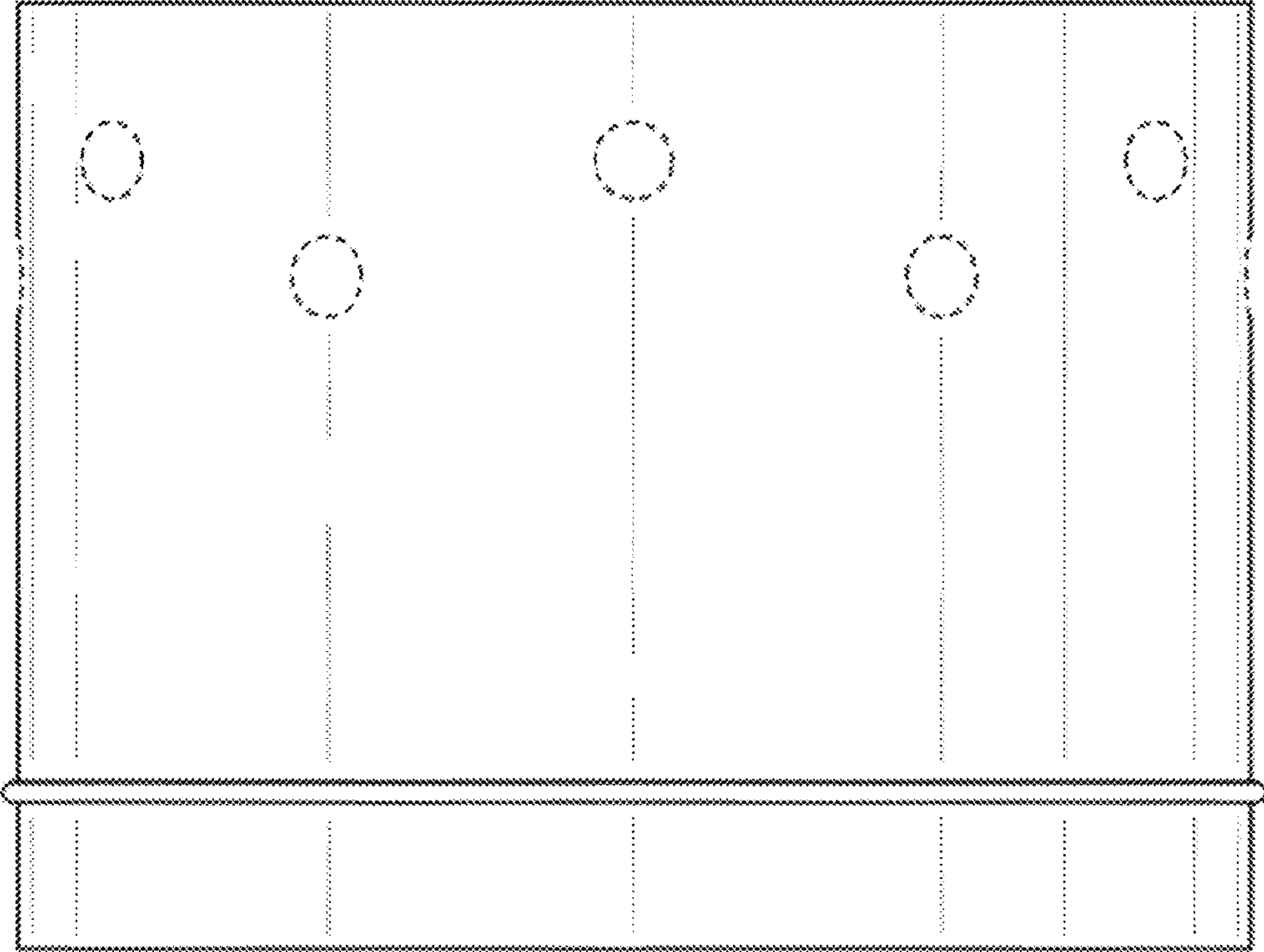


FIG. 3

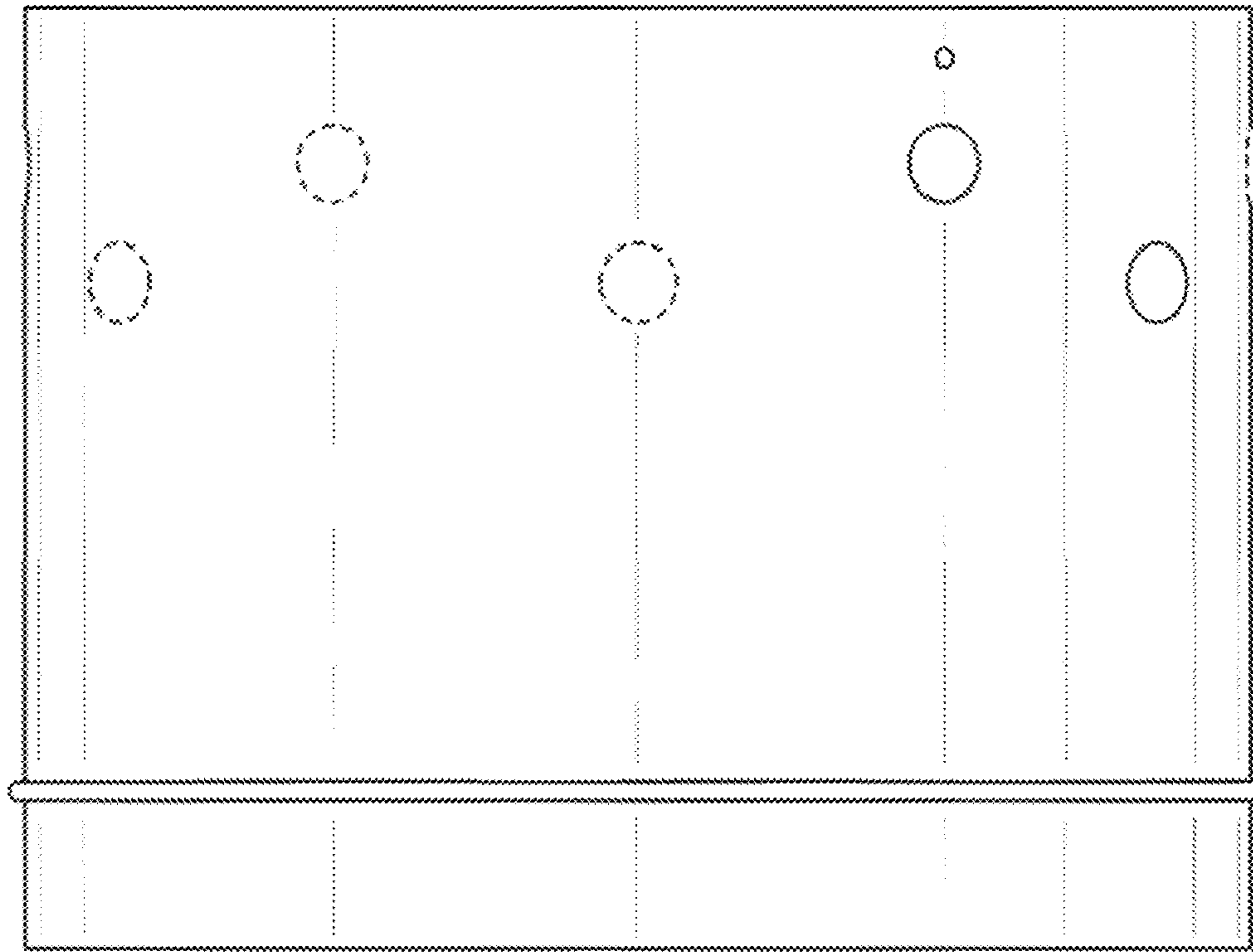


FIG. 4

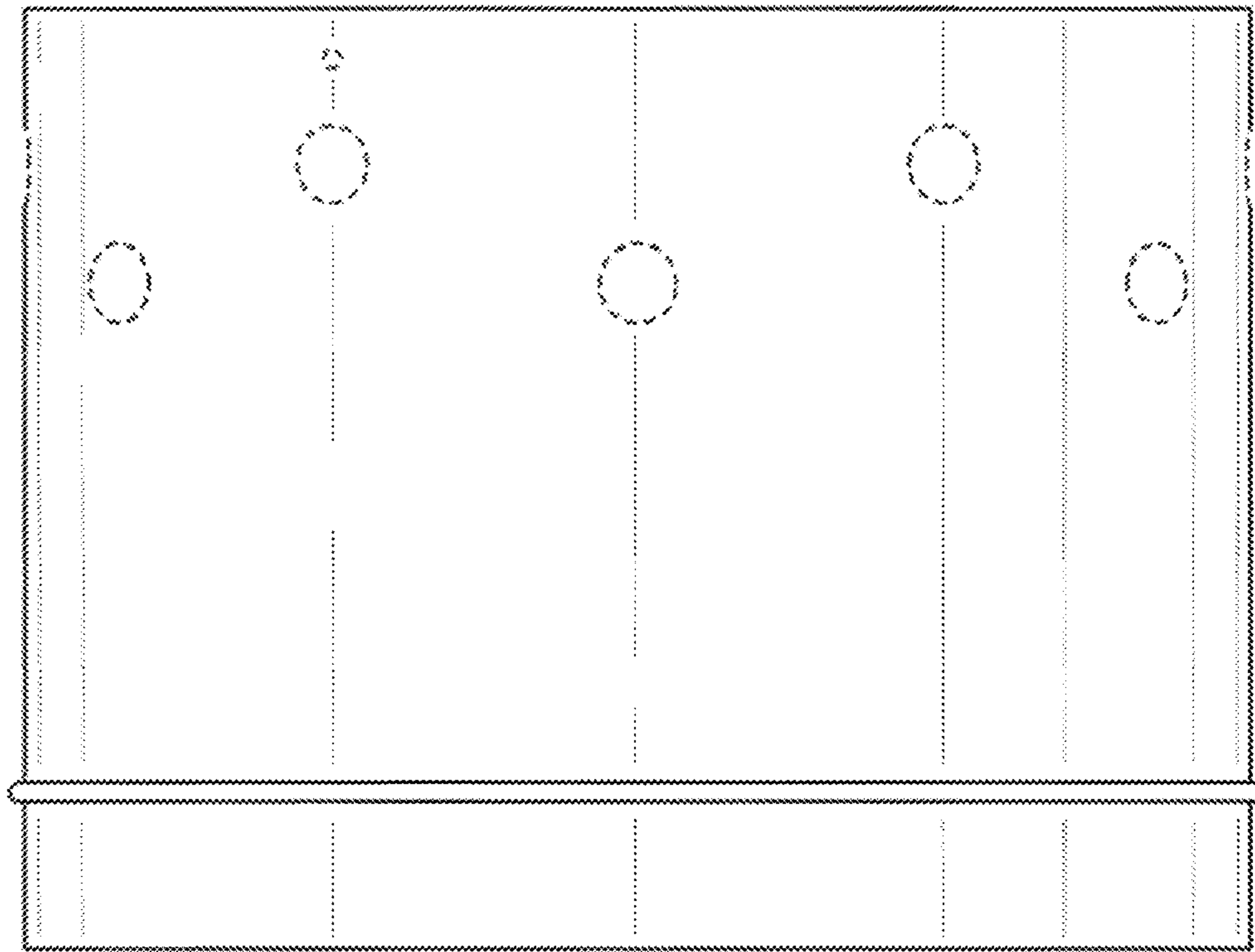


FIG. 5

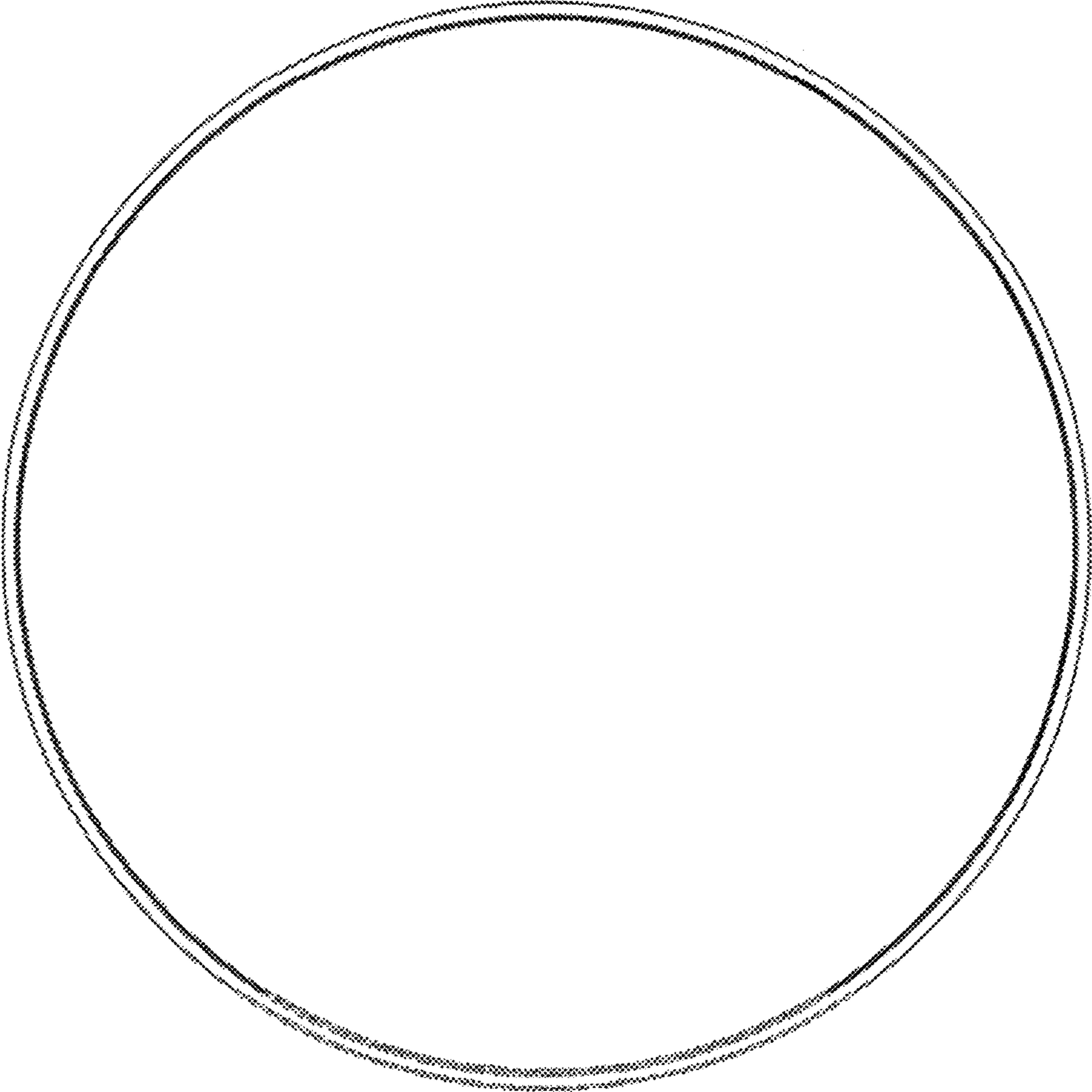


FIG. 6

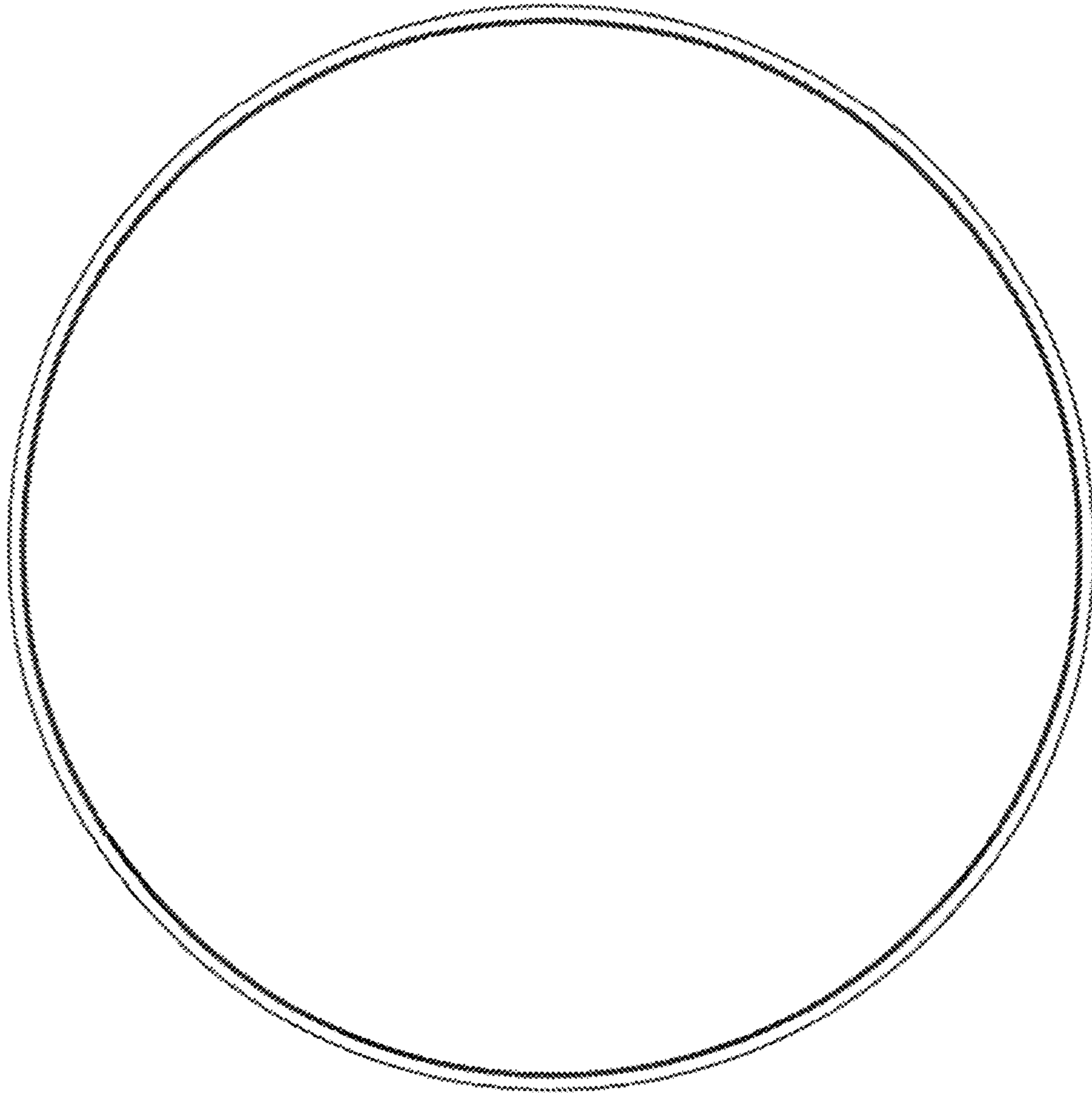


FIG. 7