



US00D907067S

(12) **United States Design Patent**
Rosamilia

(10) **Patent No.:** **US D907,067 S**

(45) **Date of Patent:** **** Jan. 5, 2021**

- (54) **CENTRIFUGAL PUMPS**
- (71) Applicant: **MICRONEL AG**, Zurich (CH)
- (72) Inventor: **Rashad Majeed Rosamilia**,
Schwersenback (CH)
- (73) Assignee: **Micronel AG**, Tagelswangen (CH)
- (**) Term: **15 Years**
- (21) Appl. No.: **35/506,434**
- (22) Filed: **Sep. 12, 2018**

4,253,798 A *	3/1981	Sugiura	F04D 29/2255 415/204
4,643,641 A *	2/1987	Clausen	A61L 2/206 415/174.3
D295,047 S *	4/1988	Price	D15/7
D305,124 S *	12/1989	Singhoff	D15/7
D310,838 S *	9/1990	Turbanisch	D15/8
D354,495 S *	1/1995	Tojo	D15/7
D372,921 S *	8/1996	Ijiri	D15/7
D482,370 S *	11/2003	Niwatsukino	D15/7
D482,698 S *	11/2003	Niwatsukino	D15/7
D483,041 S *	12/2003	Niwatsukino	D15/7
D492,325 S *	6/2004	Niwatsukino	D15/7
D503,411 S *	3/2005	Fujiwara	D15/7
D534,548 S *	1/2007	Urano	D15/7
D887,449 S *	6/2020	Zwahlen	D15/7

- (80) **Hague Agreement Data**
- Int. Filing Date: **Sep. 12, 2018**
- Int. Reg. No.: **DM/103076**
- Int. Reg. Date: **Sep. 12, 2018**
- Int. Reg. Pub. Date: **Mar. 15, 2019**

* cited by examiner

Primary Examiner — Richard E Chilcot
(74) *Attorney, Agent, or Firm* — The Webb Law Firm

- (51) **LOC (13) Cl.** **15-02**
- (52) **U.S. Cl.**
USPC **D15/7**
CPC **F04D 7/04 (2013.01)**
- (58) **Field of Classification Search**
USPC D15/7-9; D23/225, 231, 232; 417/60,
417/235, 265, 321, 355, 358, 363, 359,
417/410.1, 415-416, 405, 900, 269, 539;
60/408, 412; 184/26-37; 415/140-147;
123/495, 509; 137/565.34
CPC F04D 7/04; F04D 29/708; F02M 37/04;
F02M 37/14; F04B 53/92; F04B 1/005
See application file for complete search history.

(57) **CLAIM**

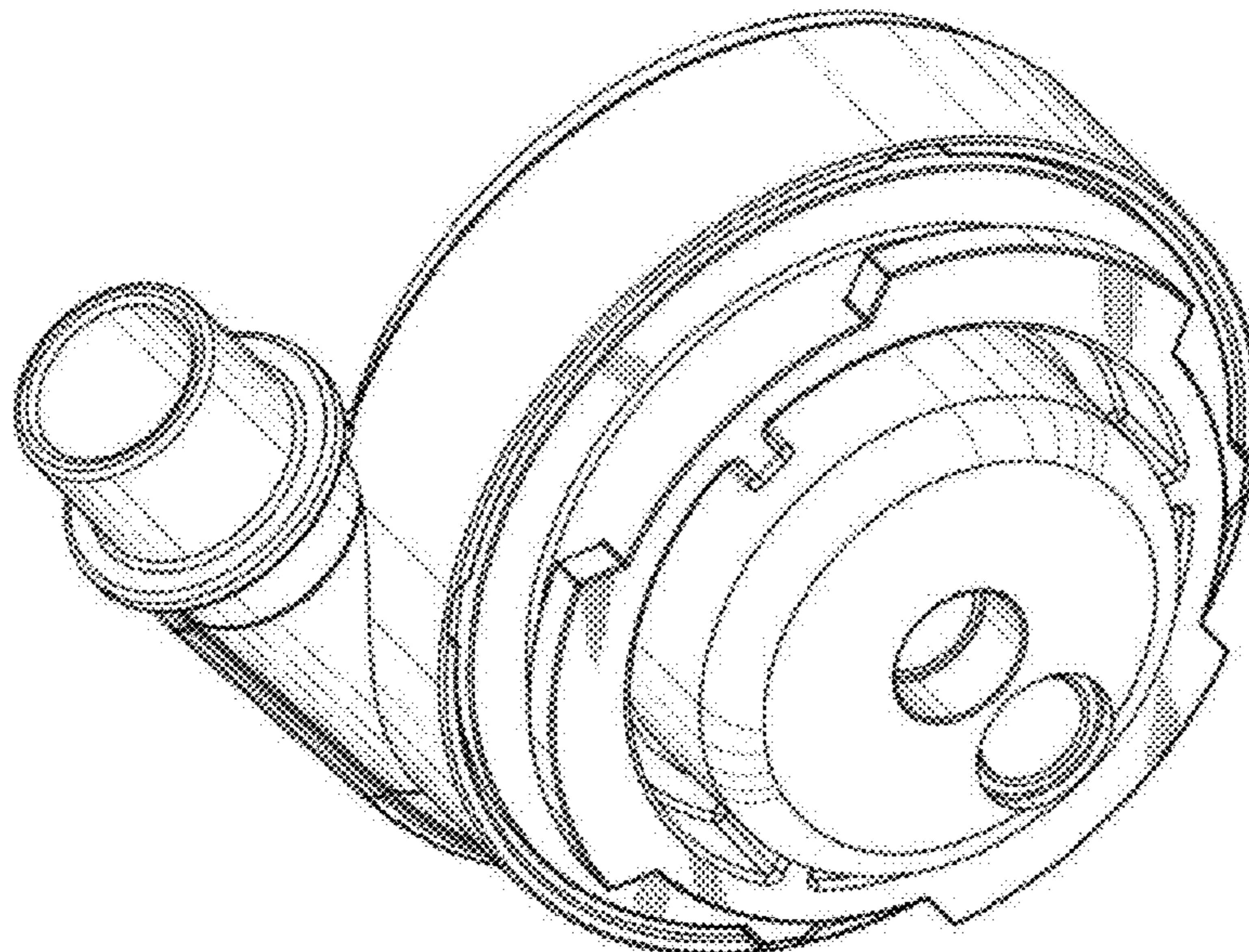
The ornamental design for a centrifugal pump, as shown and described.

DESCRIPTION

2. Centrifugal Pump
 FIG. 2.1 is a lower rear perspective view of a centrifugal pump showing my new design;
 FIG. 2.2 is an upper front perspective view thereof;
 FIG. 2.3 is a front elevation view thereof;
 FIG. 2.4 is a rear elevation view thereof;
 FIG. 2.5 is a left side view thereof;
 FIG. 2.6 is a right side view thereof;
 FIG. 2.7 is a top view thereof; and
 FIG. 2.8 is a bottom view thereof.

- (56) **References Cited**
U.S. PATENT DOCUMENTS
3,319,573 A * 5/1967 Judd F04D 7/04
415/144
D246,714 S * 12/1977 Horvath D15/8

1 Claim, 8 Drawing Sheets



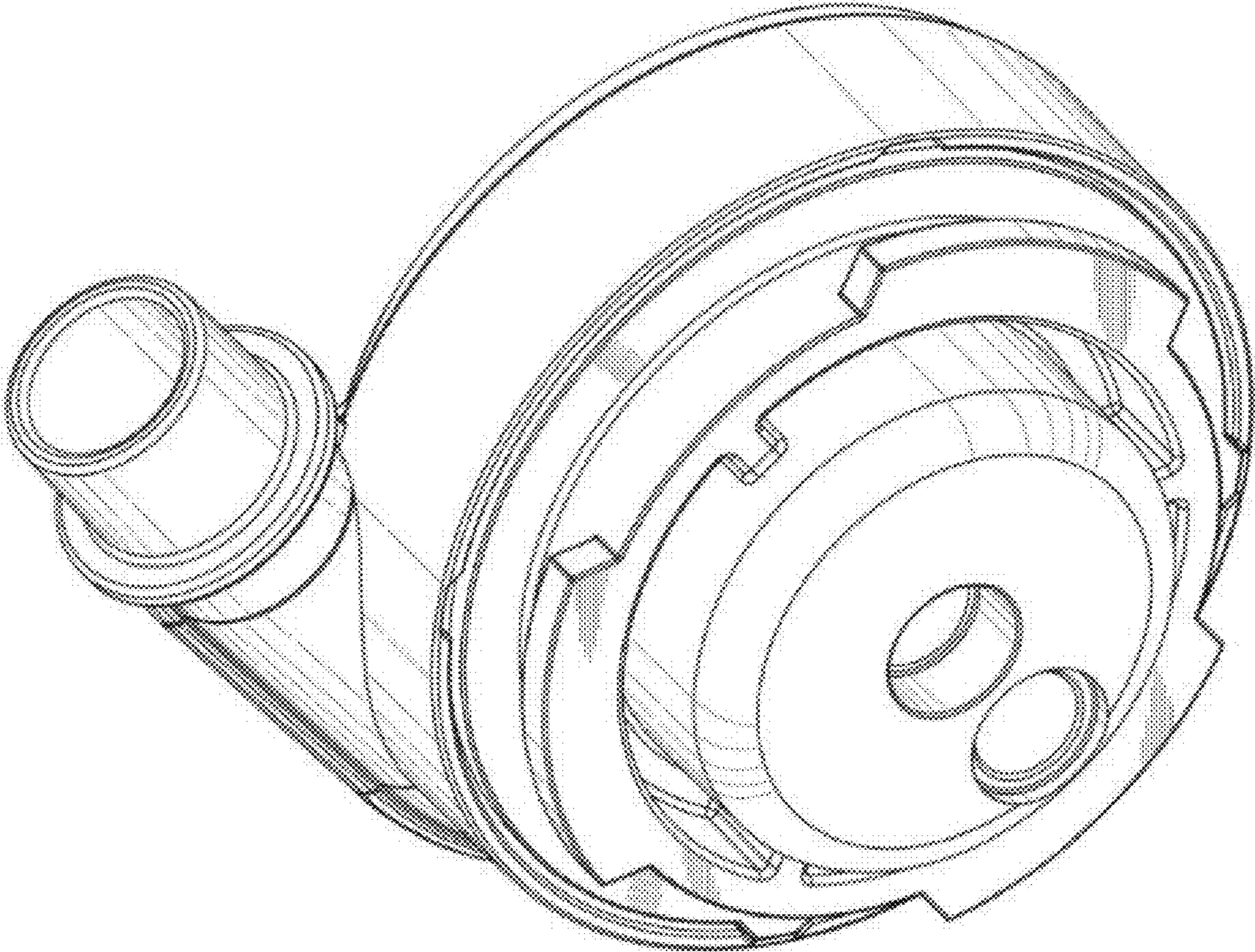


Fig. 2.1

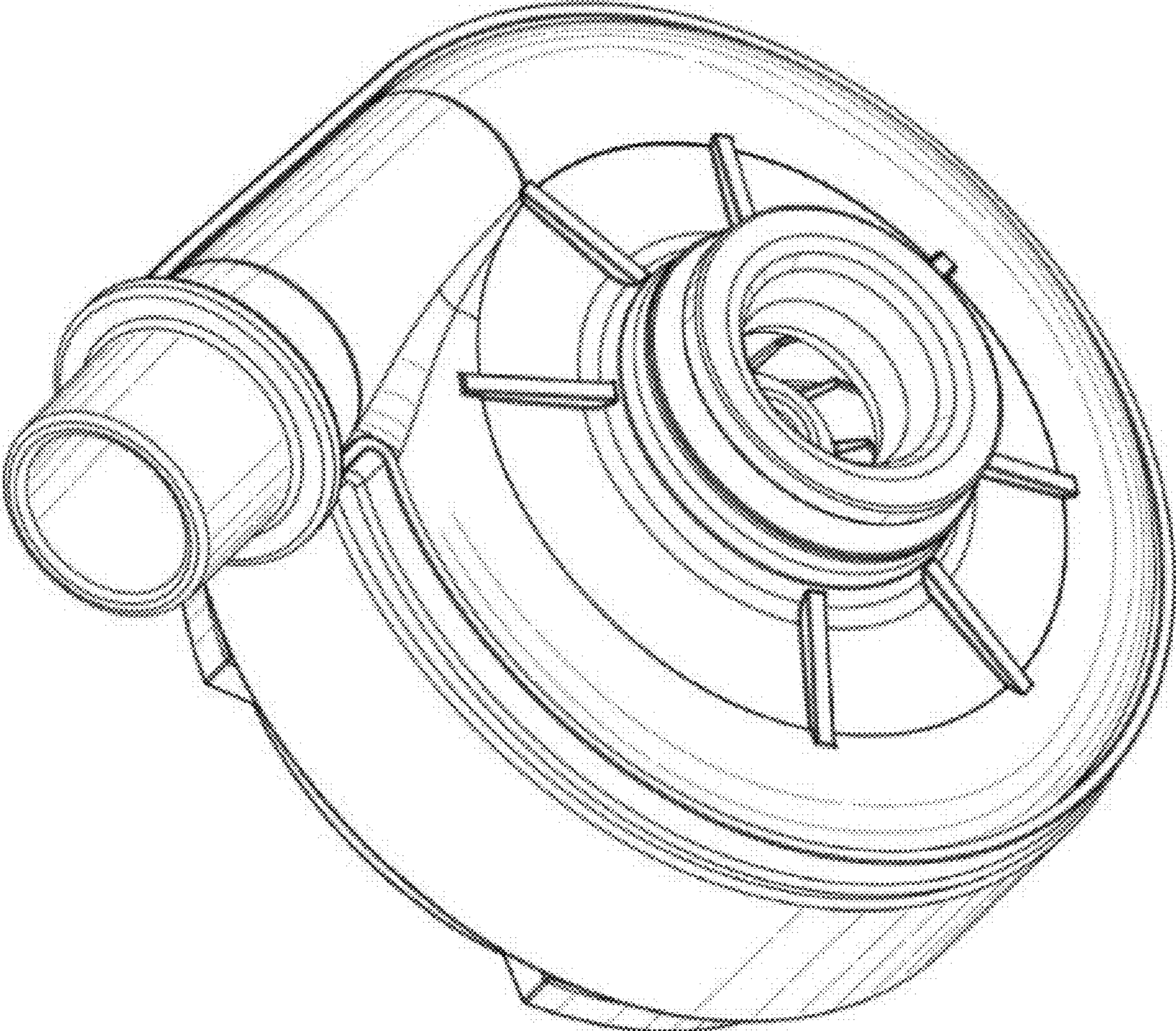


Fig. 2.2

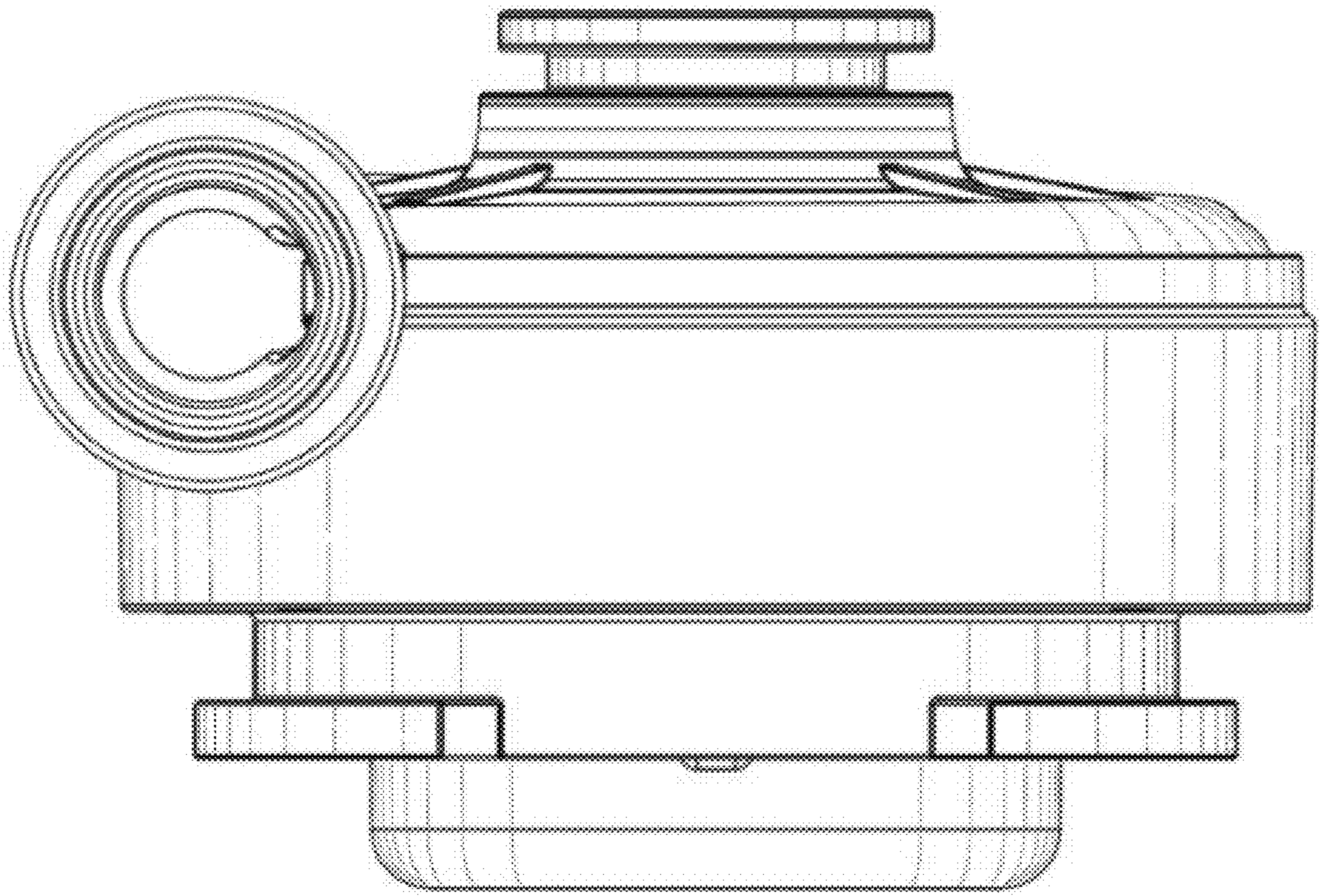


Fig. 2.3

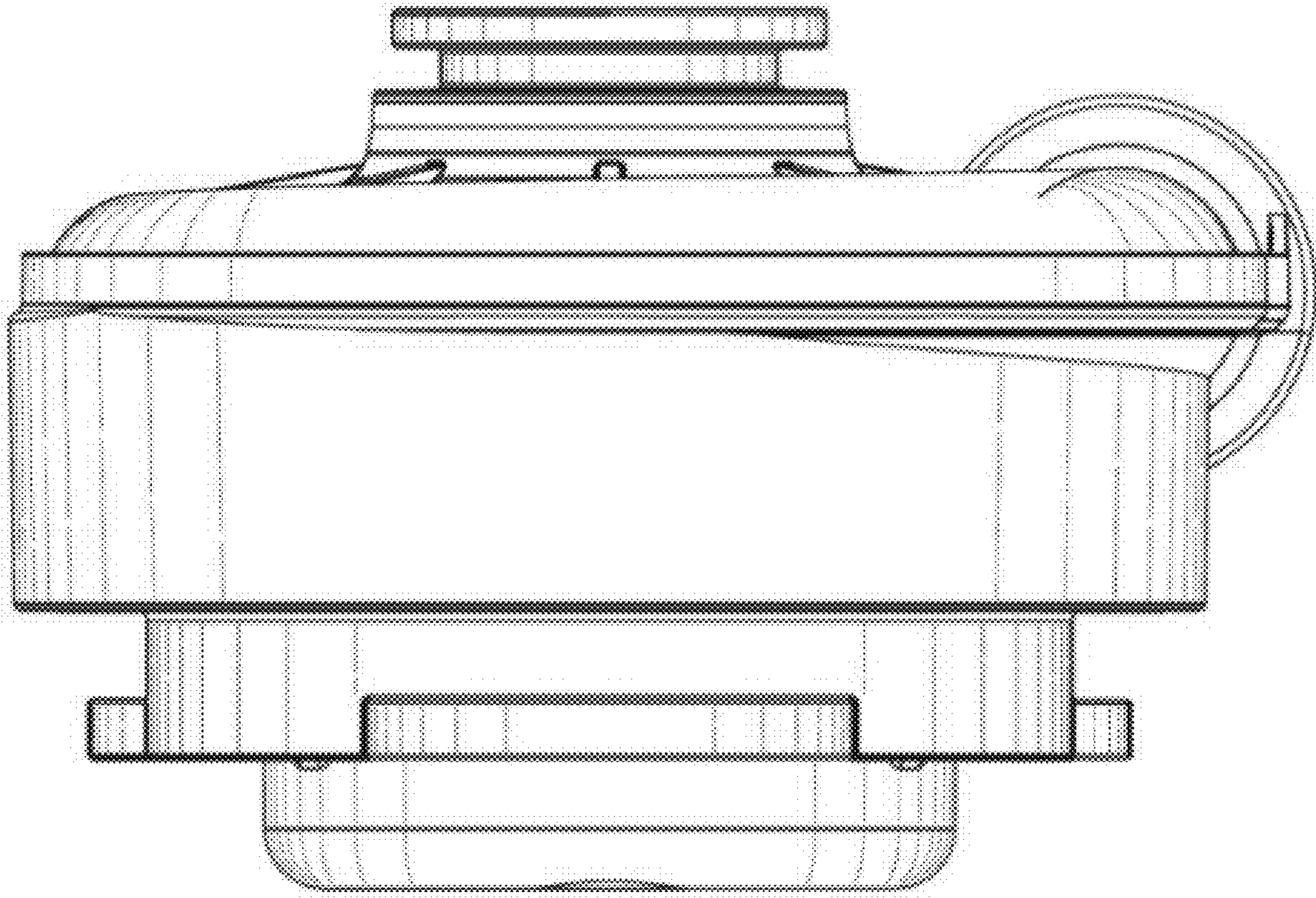


Fig. 2.4

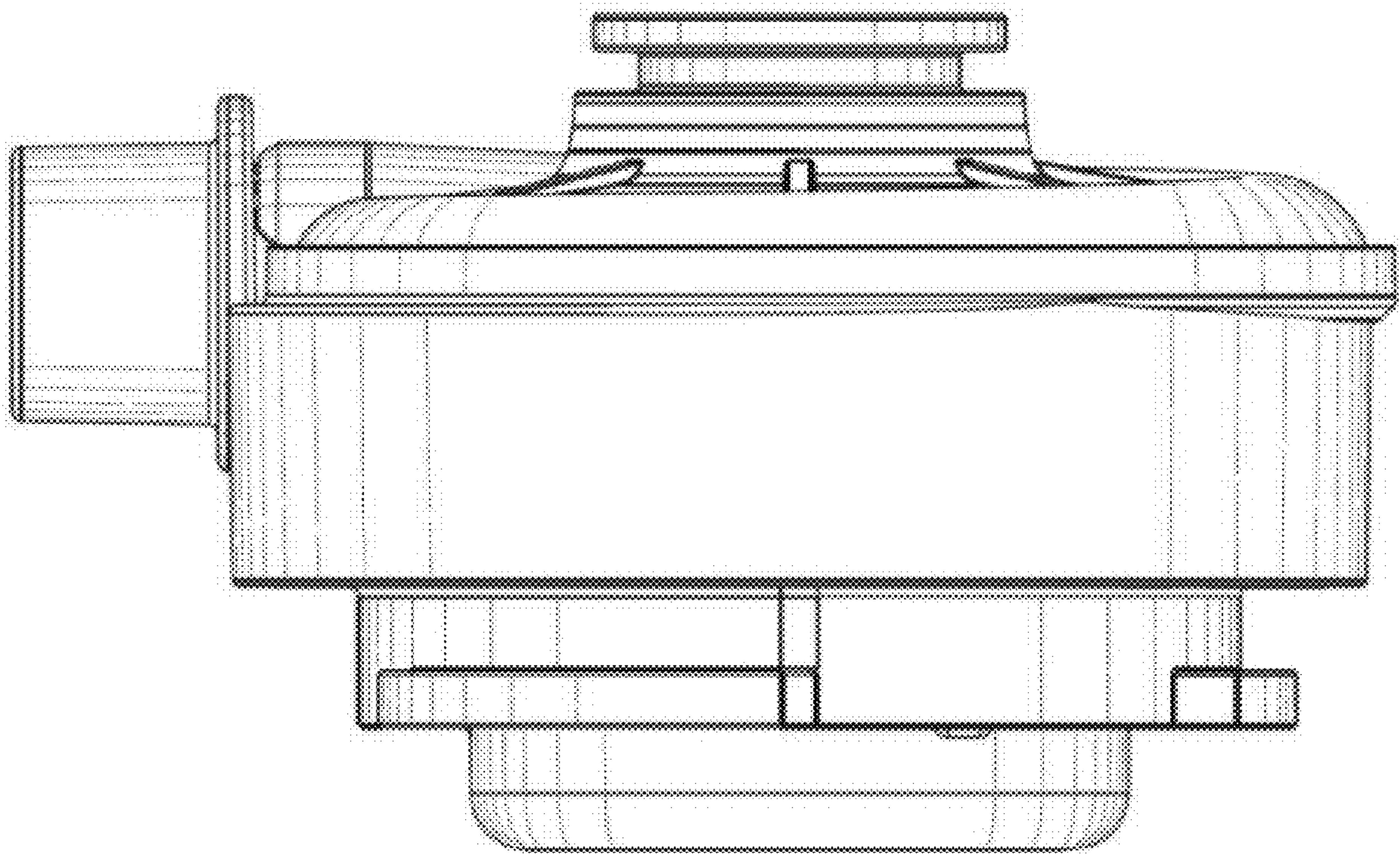


Fig. 2.5

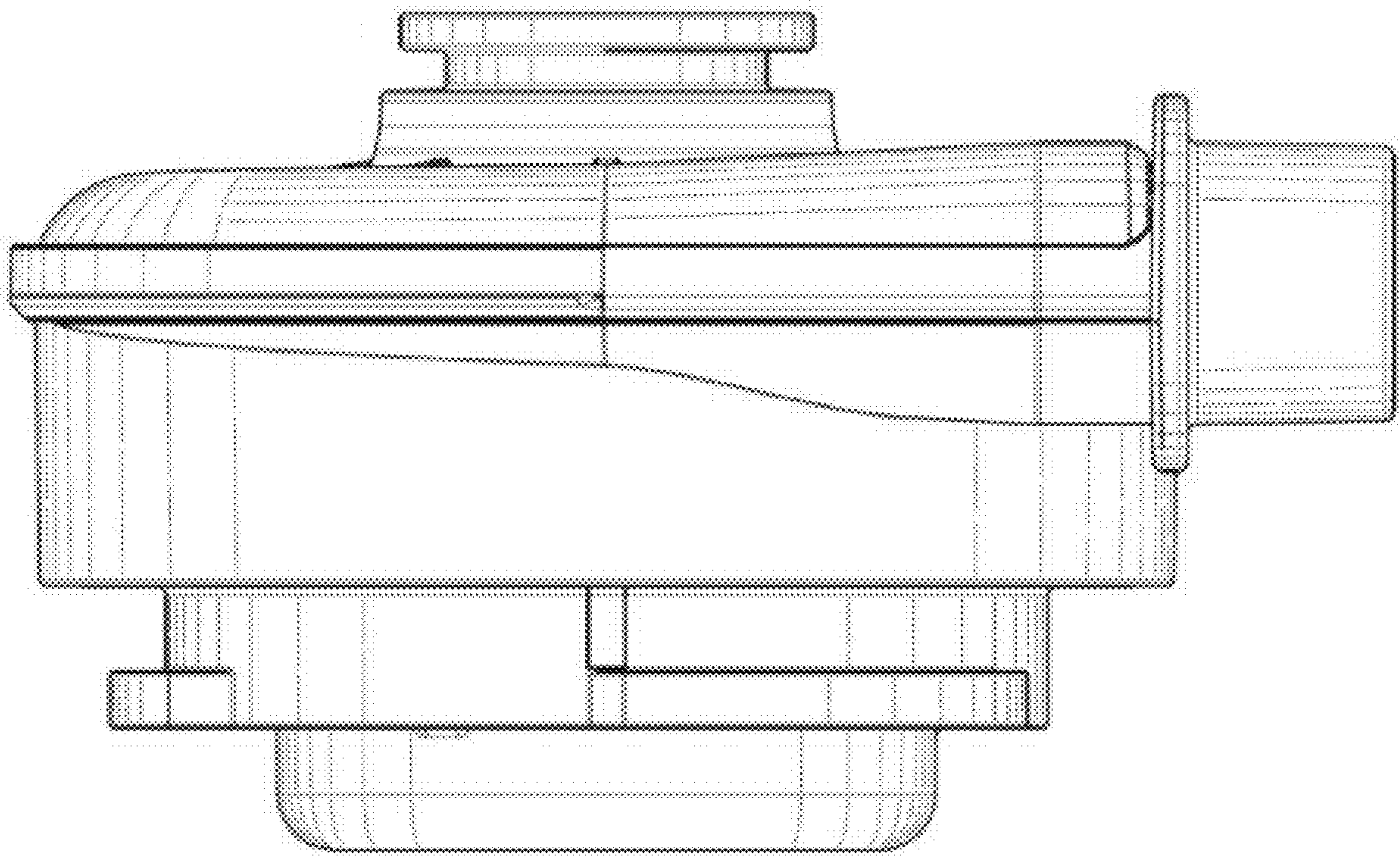


Fig. 2.6

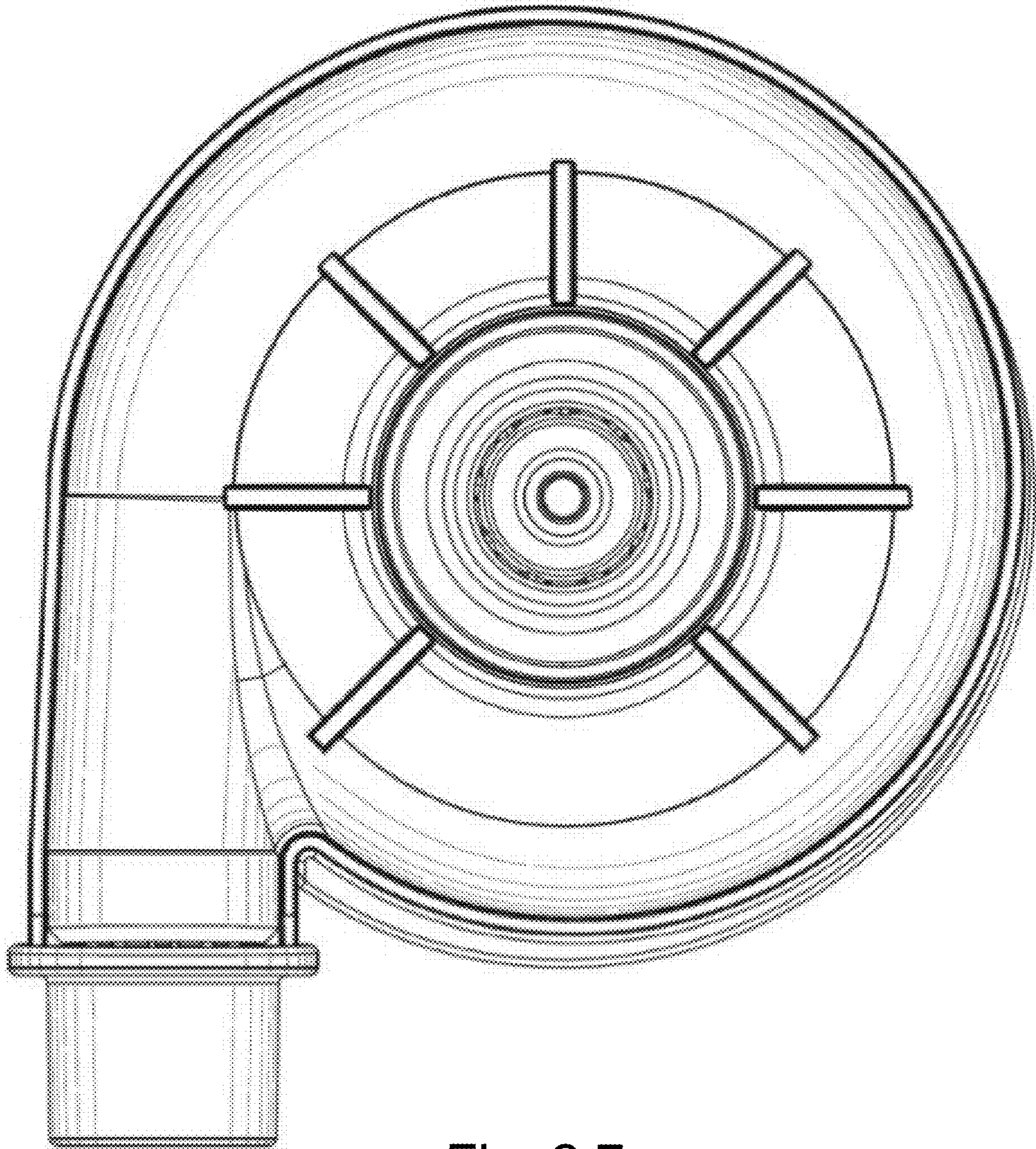


Fig. 2.7

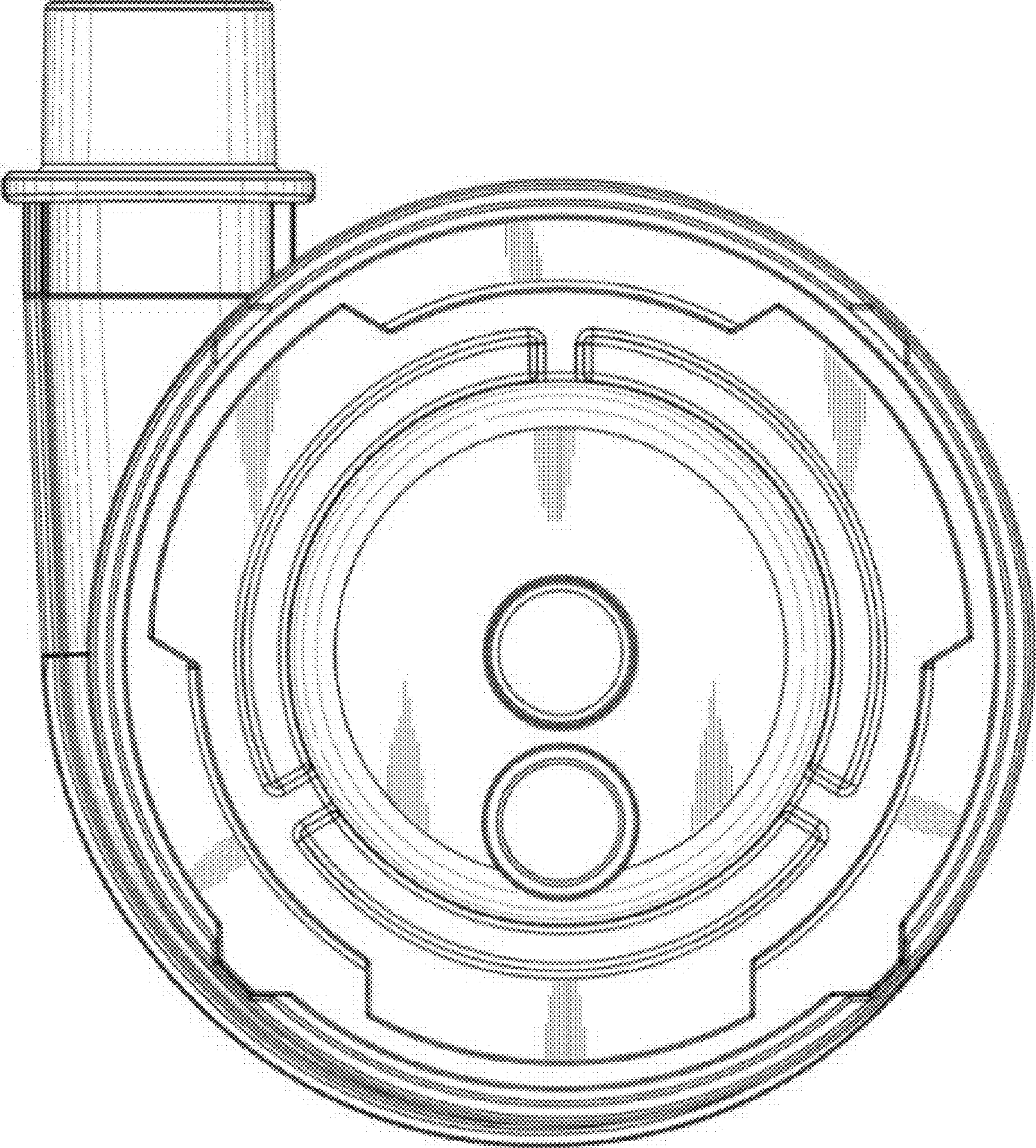


Fig. 2.8