



US00D907066S

(12) **United States Design Patent** (10) **Patent No.:** **US D907,066 S**
Esses (45) **Date of Patent:** **** Jan. 5, 2021**

(54) **AIR COMPRESSOR**
(71) Applicant: **Alfred Esses**, Brooklyn, NY (US)
(72) Inventor: **Alfred Esses**, Brooklyn, NY (US)
(73) Assignee: **Alfred Esses**, Brooklyn, NY (US)
(**) Term: **15 Years**

D838,749 S * 1/2019 Gan D15/7
D855,658 S * 8/2019 Zhang D15/7
D857,753 S * 8/2019 Tong D15/9
D864,254 S * 10/2019 Zhang D15/9
D866,606 S * 11/2019 Chou D15/9
D881,238 S * 4/2020 Hong D15/9
2009/0193937 A1 * 8/2009 Steele B60C 29/062
81/15.2

(21) Appl. No.: **29/685,471**
(22) Filed: **Mar. 28, 2019**
(51) **LOC (13) Cl.** **15-02**
(52) **U.S. Cl.**
USPC **D15/7**
(58) **Field of Classification Search**
USPC D15/7-9; D13/103, 107; D24/111
CPC . B25B 21/02; B60S 5/04; B60S 5/046; B29C
73/00; F04B 53/00; E03B 5/00
See application file for complete search history.

OTHER PUBLICATIONS

Amazon, WindGallop Portable Air Compressor, [site visited Apr. 15, 2020]. Sold on Amazon.com, URL: <https://www.amazon.com/WindGallop-Compressor-Automobiles-Basketball-Inflatables/dp/B081YVKGLP> (Year: 2020).*
Amazon, FORTEM Digital Tire Inflator, [site visited Apr. 15, 2020]. Sold on Amazon.com, URL: <https://www.amazon.com/Digital-Tire-Inflator-Pressure-Gauge/dp/B073VB41W3> (Year: 2020).*

(Continued)

Primary Examiner — Sheryl Lane
Assistant Examiner — Mark T. Philipps
(74) *Attorney, Agent, or Firm* — Moritt Hock & Hamroff LLP; Bret P. Shapiro

(56) **References Cited**

U.S. PATENT DOCUMENTS

D316,865 S * 5/1991 Armstrong D15/7
D374,237 S * 10/1996 Wang D15/7
D426,554 S * 6/2000 Wang D15/8
D586,463 S * 2/2009 Evans D24/111
D656,962 S * 4/2012 Boldsen D15/7
D670,313 S * 11/2012 Ohm D15/7
D679,291 S * 4/2013 Ohm D15/7
D695,319 S * 12/2013 Ohm D15/9
D700,915 S * 3/2014 Damhuis D15/7
D703,241 S * 4/2014 Eckhardt D15/9
D723,588 S * 3/2015 Wang D15/9
D727,972 S * 4/2015 Jhou D15/9
D734,367 S * 7/2015 Jhou D15/9
D754,209 S * 4/2016 Chou D15/7
D781,783 S * 3/2017 Inskeep D13/107
D832,889 S * 11/2018 Zheng D15/7

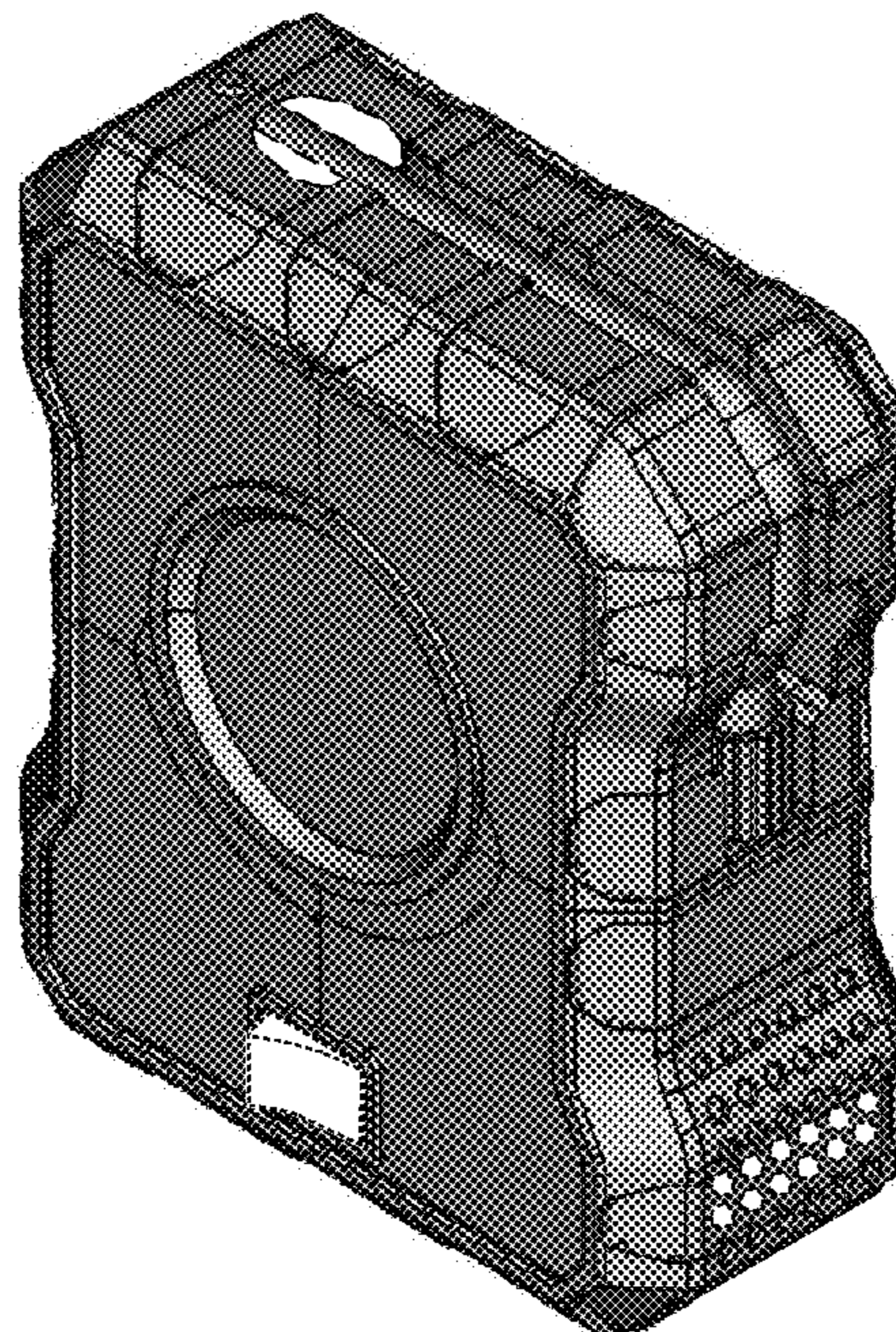
(57) **CLAIM**

I claim the ornamental design for an air compressor device, as shown and described.

DESCRIPTION

FIG. 1 is a front isometric view of an air compressor; FIG. 2 is a front perspective view thereof; FIG. 3 is a top perspective view thereof; FIG. 4 is a bottom perspective view thereof; FIG. 5 is a left side perspective view thereof; FIG. 6 is a right side perspective view thereof; and, FIG. 7 is a back perspective view thereof. The broken lines represent portions of the air compressor and form no part of the claimed design.

1 Claim, 6 Drawing Sheets



(56)

References Cited

OTHER PUBLICATIONS

Amazon, Rockbirds Portable Air Compressor for Car Tires, [site visited Apr. 15, 2020]. Sold on Amazon.com, URL: <<https://www.amazon.com/ROCKBIRDS-Portable-Compressor-Basketball-Motorcycle/dp/B082VCSG5Y>> (Dec. 17, 2019) (Year: 2019).*

* cited by examiner

FIG. 1

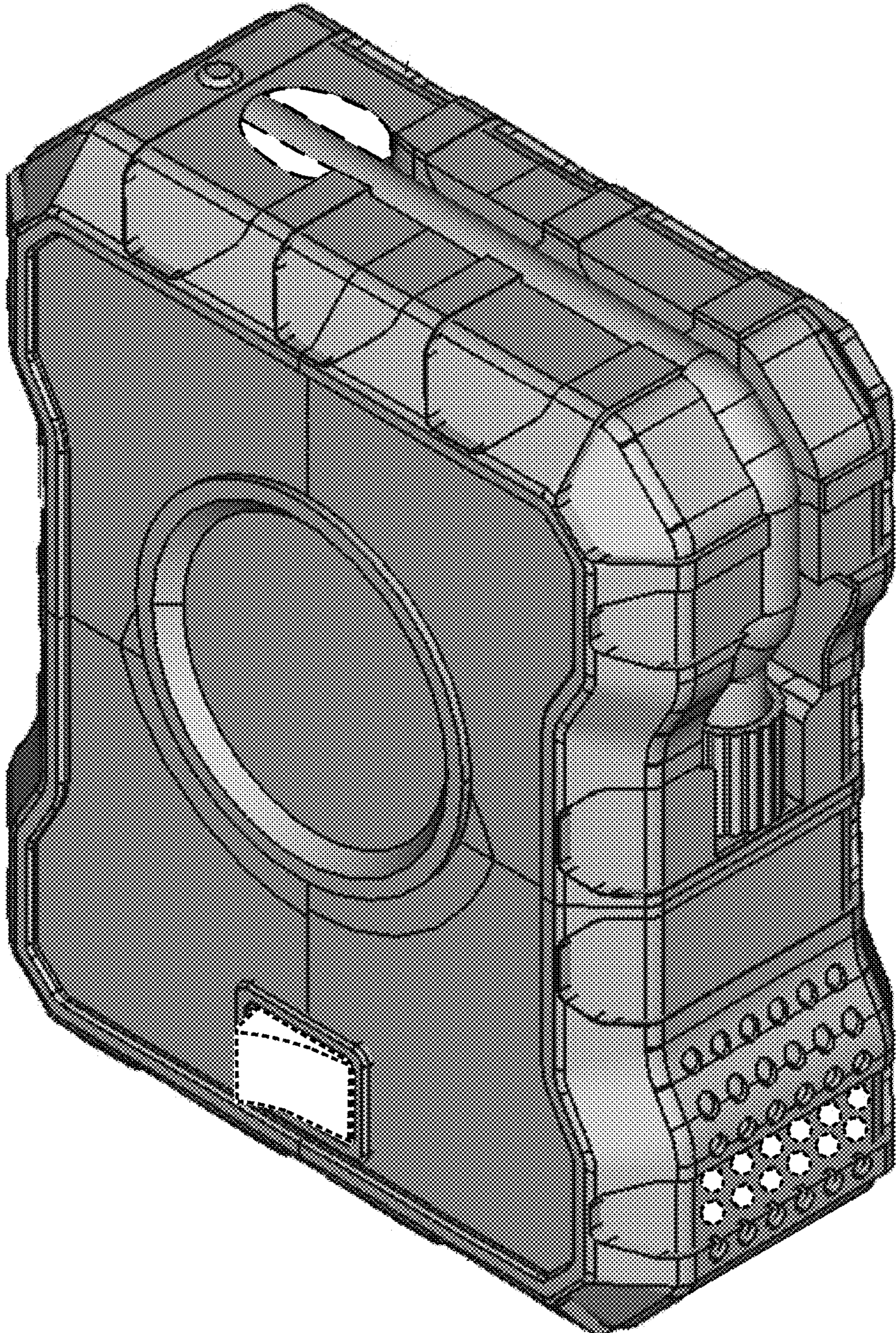


FIG. 2

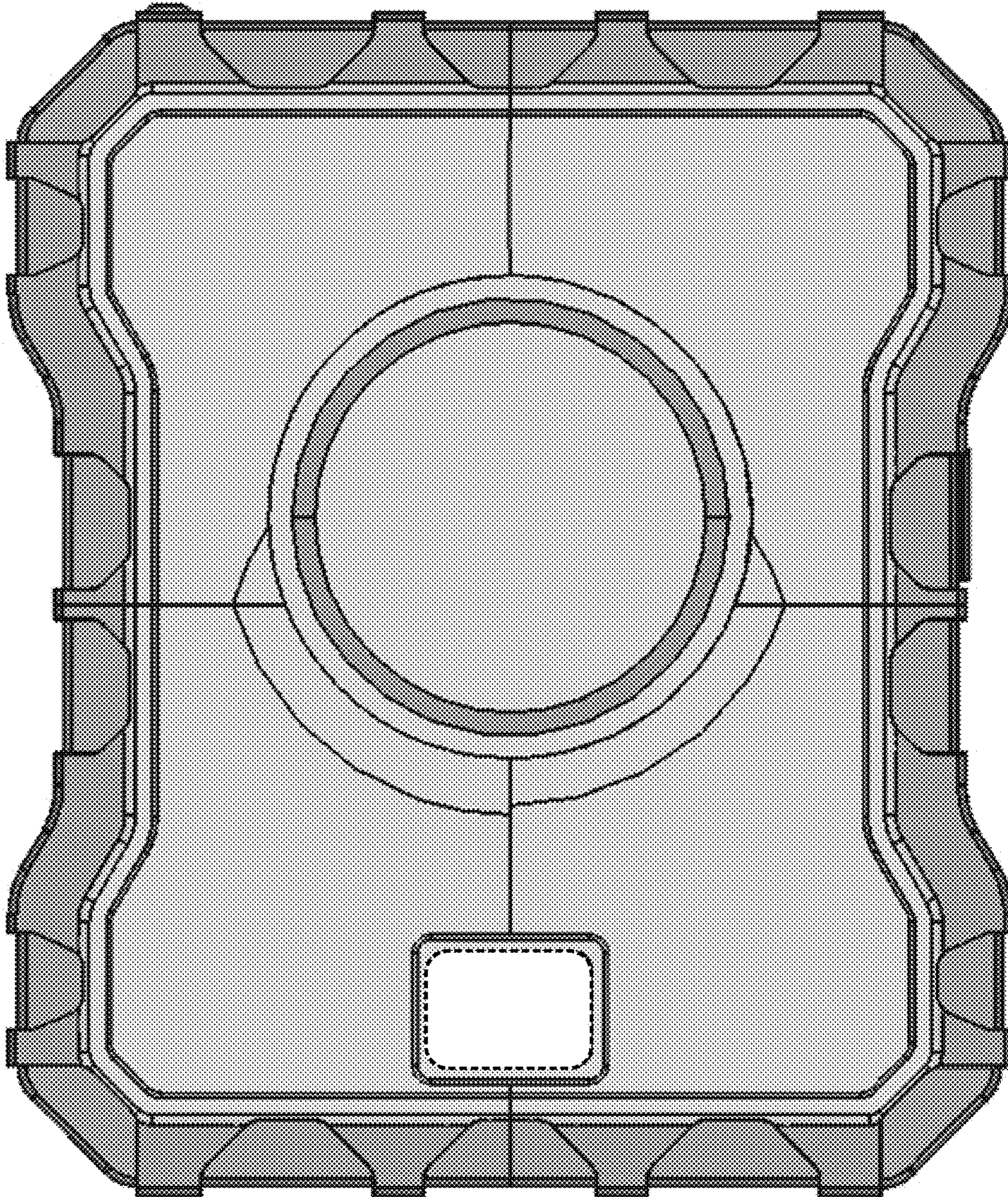


FIG. 3

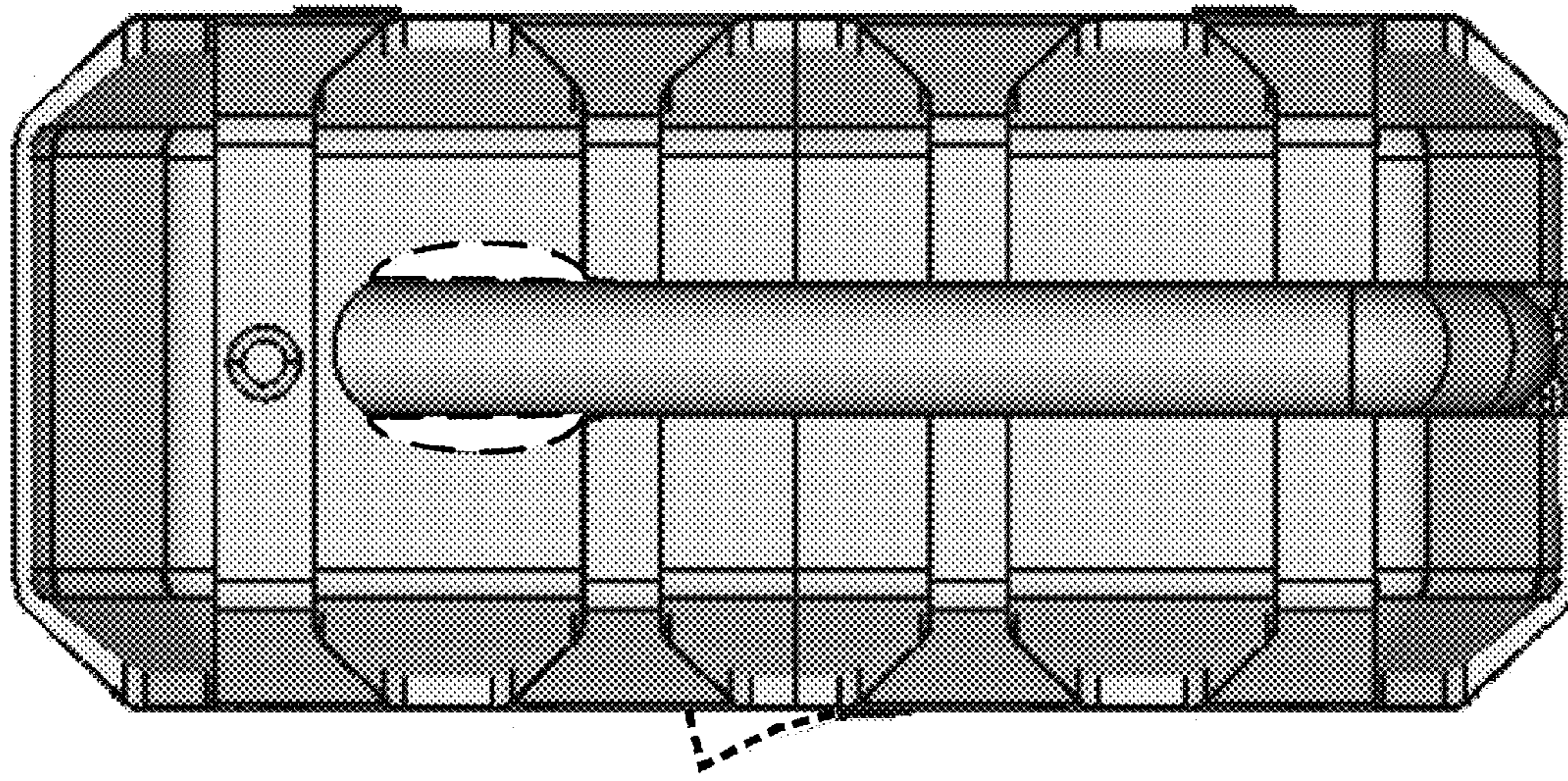


FIG. 4

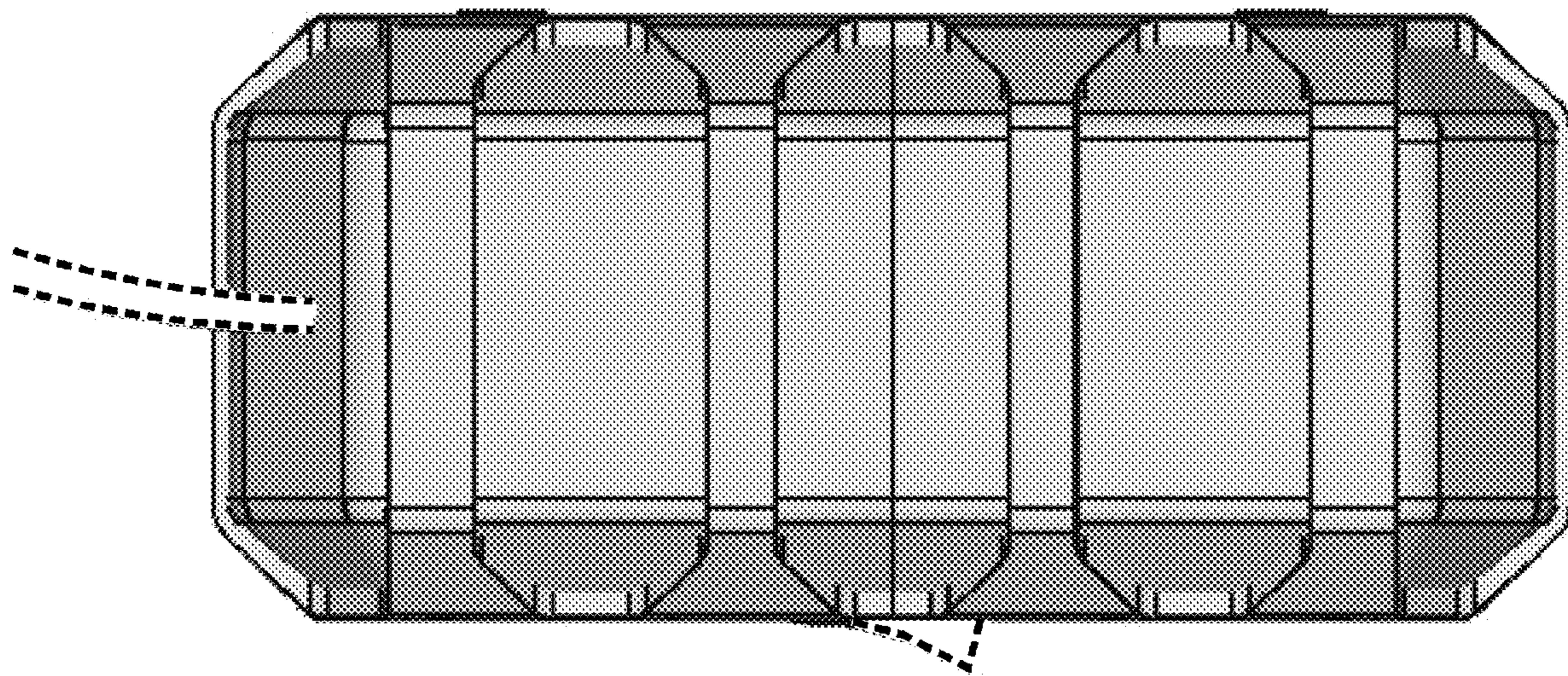


FIG. 5

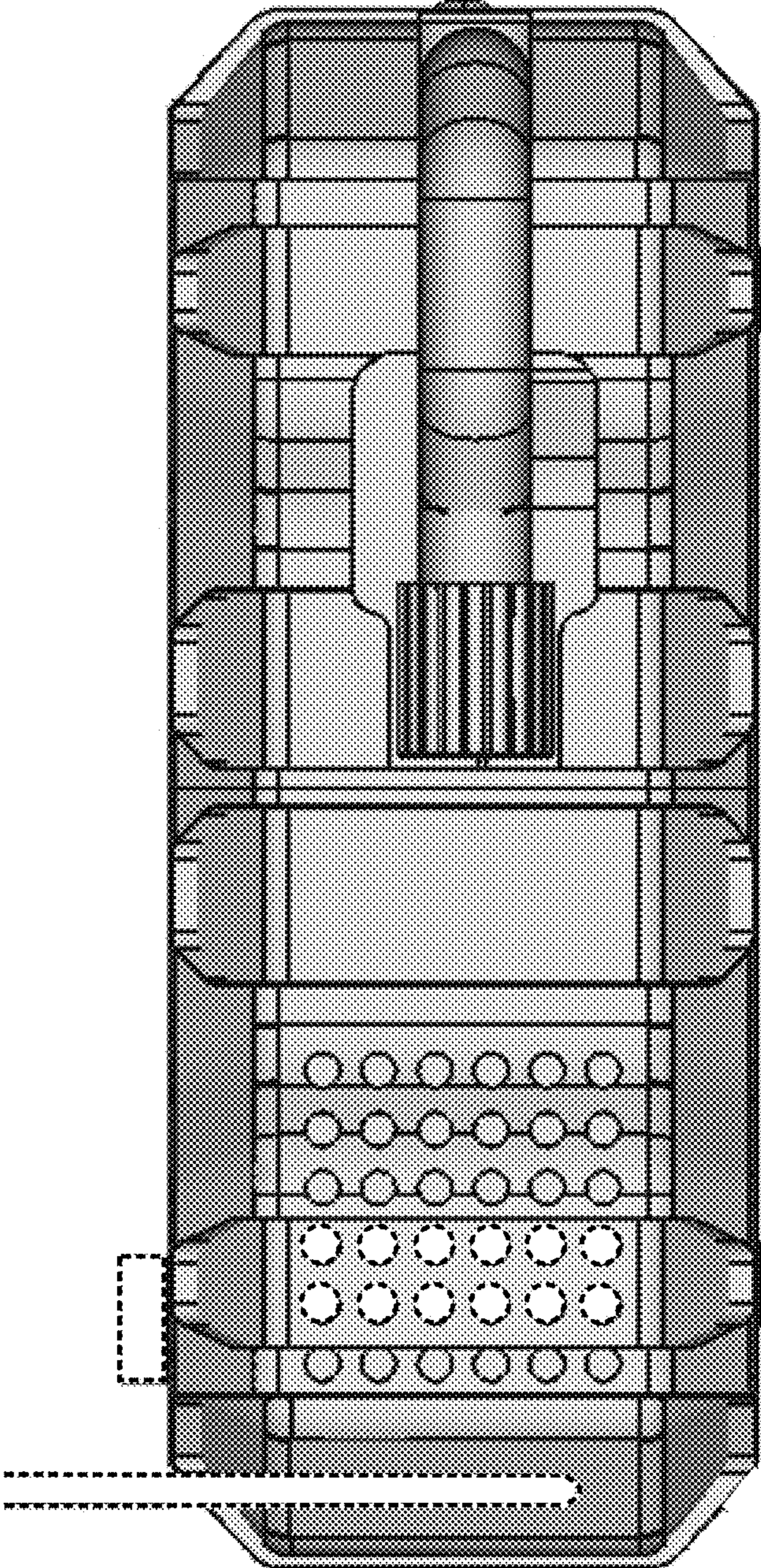


FIG. 6

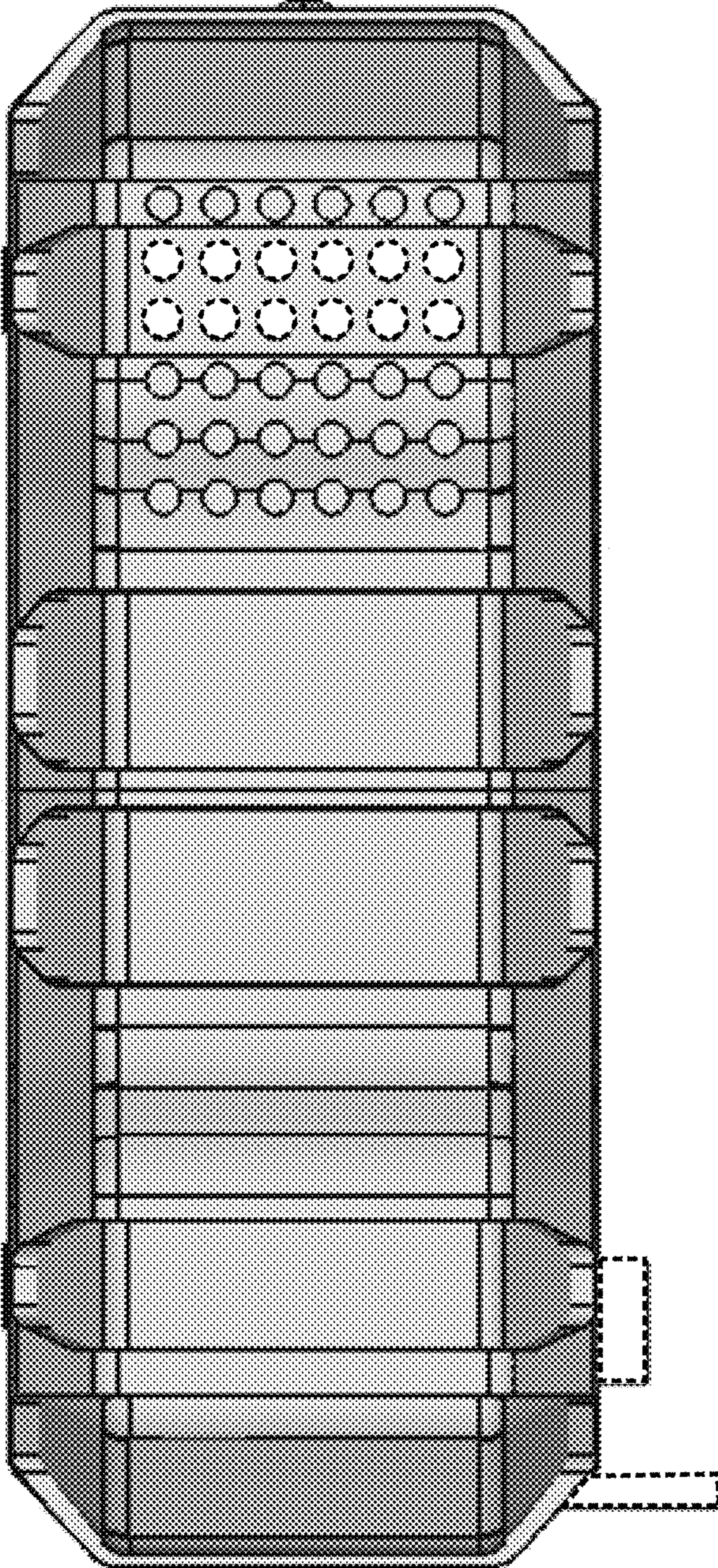


FIG. 7

