



US00D907065S

(12) **United States Design Patent**  
**Wehrli**

(10) **Patent No.:** **US D907,065 S**  
(45) **Date of Patent:** **\*\* Jan. 5, 2021**

(54) **ADAPTER FOR INSTALLATION OF A TURBOCHARGER**

(71) Applicant: **Wehrli Custom Fabrication, Inc.**,  
DeKalb, IL (US)

(72) Inventor: **Jason R. Wehrli**, Sandwich, IL (US)

(73) Assignee: **Wehrli Custom Fabrication, Inc.**,  
DeKalb, IL (US)

(\*\*) Term: **15 Years**

(21) Appl. No.: **29/701,322**

(22) Filed: **Aug. 9, 2019**

(51) **LOC (13) Cl.** ..... **15-01**

(52) **U.S. Cl.**  
USPC ..... **D15/5**

(58) **Field of Classification Search**  
USPC ..... D15/1, 2, 3, 4, 5, 6, 7, 8, 9; D8/349,  
D8/354, 382  
CPC ..... F02M 35/10144; F02M 35/10157; F02M  
35/10354; G01L 19/003  
See application file for complete search history.

(56) **References Cited**

U.S. PATENT DOCUMENTS

9,074,564 B2 *	7/2015	Lim	.....	G01L 19/0023
D859,471 S *	9/2019	Chikmangalore Manjunath	.....	D15/5
2008/0011259 A1 *	1/2008	Madeira	.....	B29C 66/242
				123/184.61
2011/0214936 A1 *	9/2011	Raimbault	.....	F02D 9/103
				181/229
2017/0204881 A1 *	7/2017	Mahalatkar	.....	F04C 18/16
2019/0181513 A1 *	6/2019	Matthews	.....	H01M 10/613
2020/0056569 A1 *	2/2020	Martin	.....	F02M 35/10072
2020/0173405 A1 *	6/2020	Winkelmuller	.....	F01N 13/1805

OTHER PUBLICATIONS

Rev9Power Rev9\_AC-053; Conversion Adaptor Flange for T3 to T4 Turbocharger(Cast) [https://www.amazon.com/Rev9Power-Rev9\\_](https://www.amazon.com/Rev9Power-Rev9_)

AC-053-Conversion-Adaptor-Turbocharger/dp/B00SA3X9MU/ref=sr\_1\_6?dchild=1&hvadid=77996648347506&hvbmt=be&hvdev=c&hvqmt=e&keywords=turbo+adapter&qid=1601010856&sr=8-6&tag=mh0b-20 (Year: 2015).\*

\* cited by examiner

*Primary Examiner* — Ania Aman

(74) *Attorney, Agent, or Firm* — Brie A. Crawford;  
Crawford Intellectual Property Law LLC

(57) **CLAIM**

The ornamental design for an adapter for installation of a turbocharger, as shown and described.

**DESCRIPTION**

FIG. 1 depicts a front and left side perspective view of an adapter for installation of a turbocharger showing my new design;

FIG. 2 depicts a front elevational view of the adapter for installation of a turbocharger based on FIG. 1;

FIG. 3 depicts a rear elevational view of the adapter for installation of a turbocharger based on FIG. 1 and the reverse view of FIG. 2;

FIG. 4 depicts a top plan view of the adapter for installation of a turbocharger based on FIG. 1;

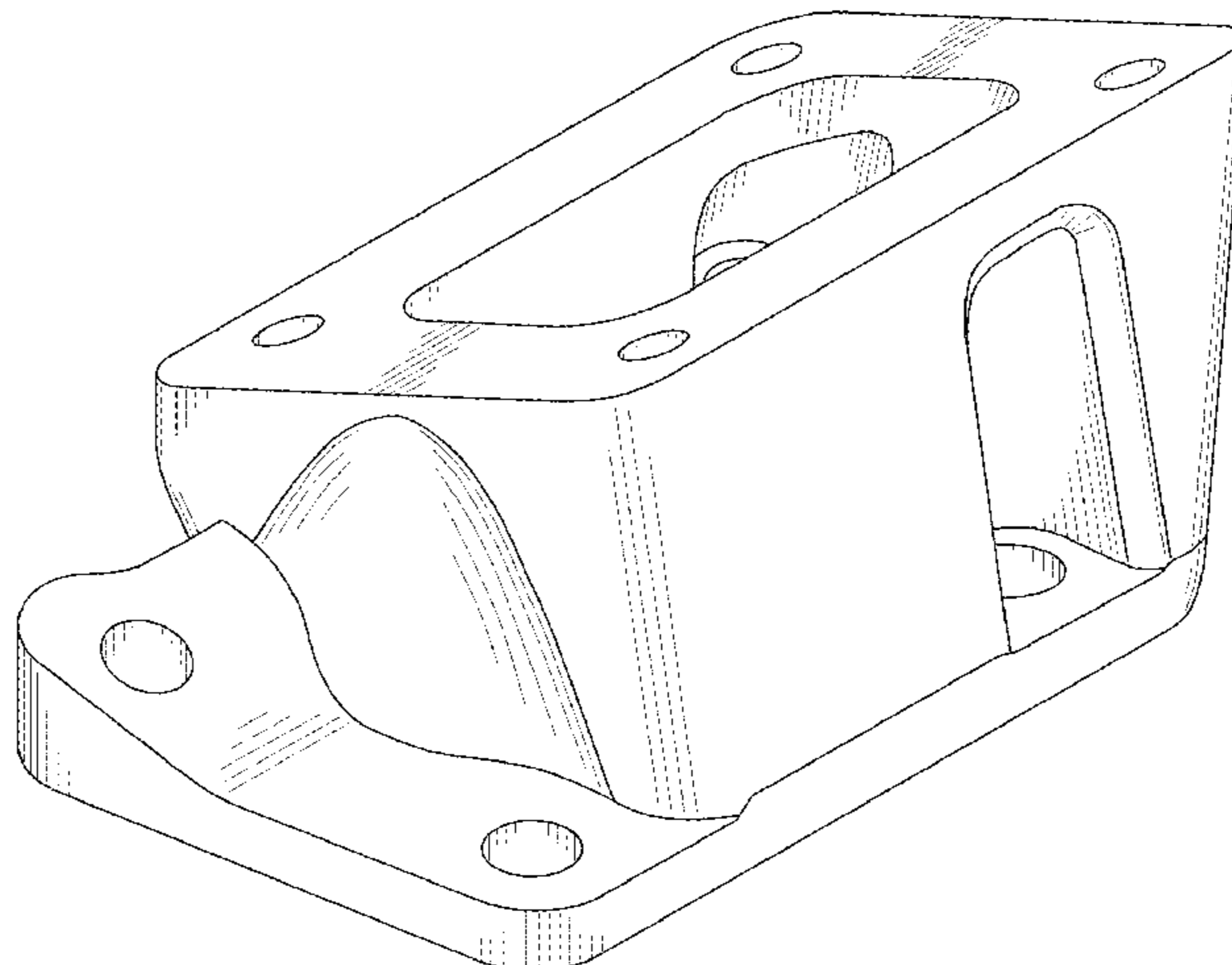
FIG. 5 depicts a bottom plan view of the adapter for installation of a turbocharger based on FIG. 1 and the reverse view of FIG. 4;

FIG. 6 depicts a left elevational view of the adapter for installation of a turbocharger based on FIG. 1;

FIG. 7 depicts a right elevational view of the adapter for installation of a turbocharger based on FIG. 1 and the reverse view of FIG. 6; and,

FIG. 8 depicts a front perspective view of the adapter for installation of a turbocharger based on FIG. 1 with the adapter for installation of a turbocharger installed on a pedestal and with a turbocharger installed on the adapter for installation of a turbocharger.

(Continued)



The broken lines in FIG. 5 and FIG. 8 depict recesses, a pedestal, mounting hardware, and a turbocharger and form no part of the claimed design.

**1 Claim, 6 Drawing Sheets**

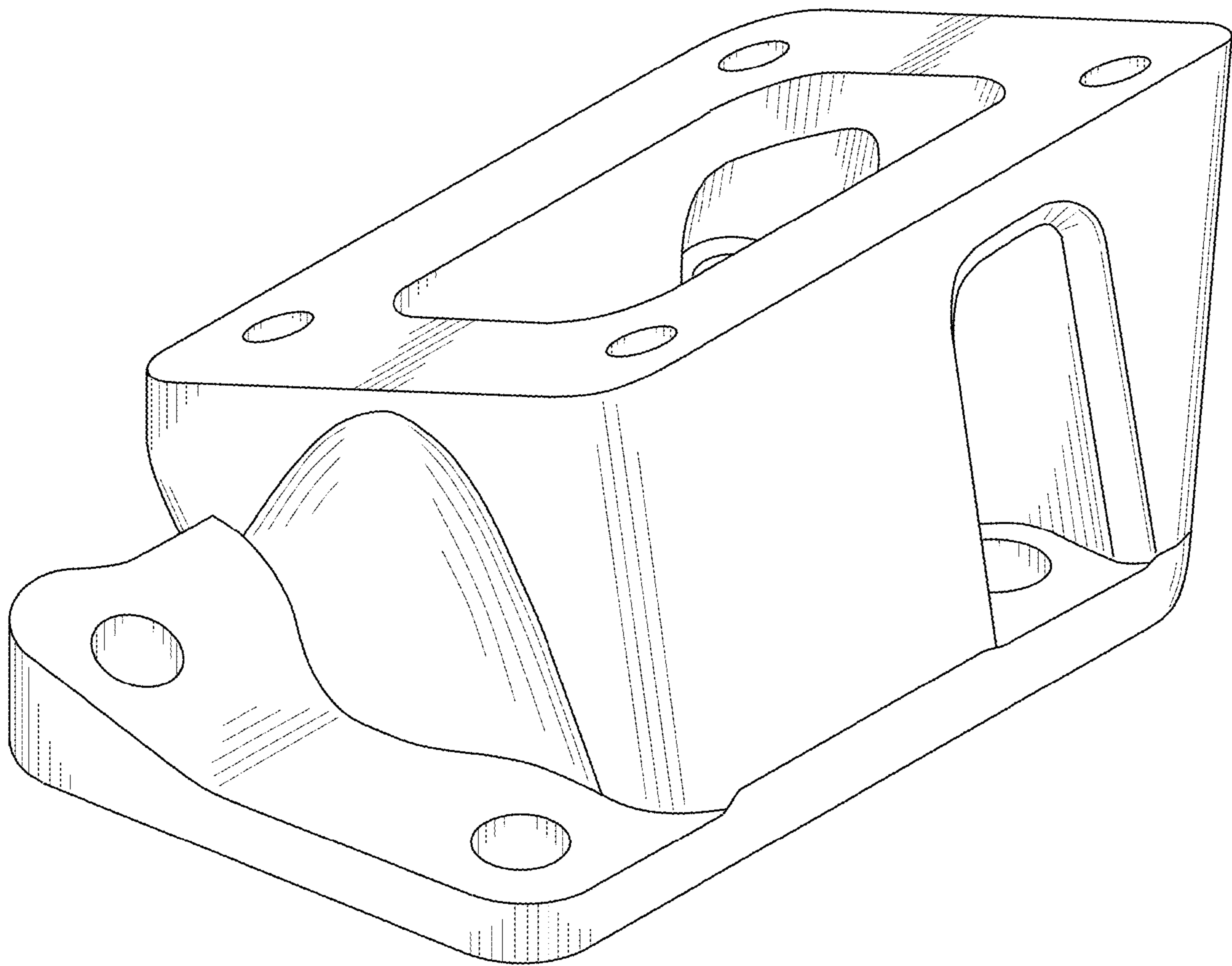


FIG. 1

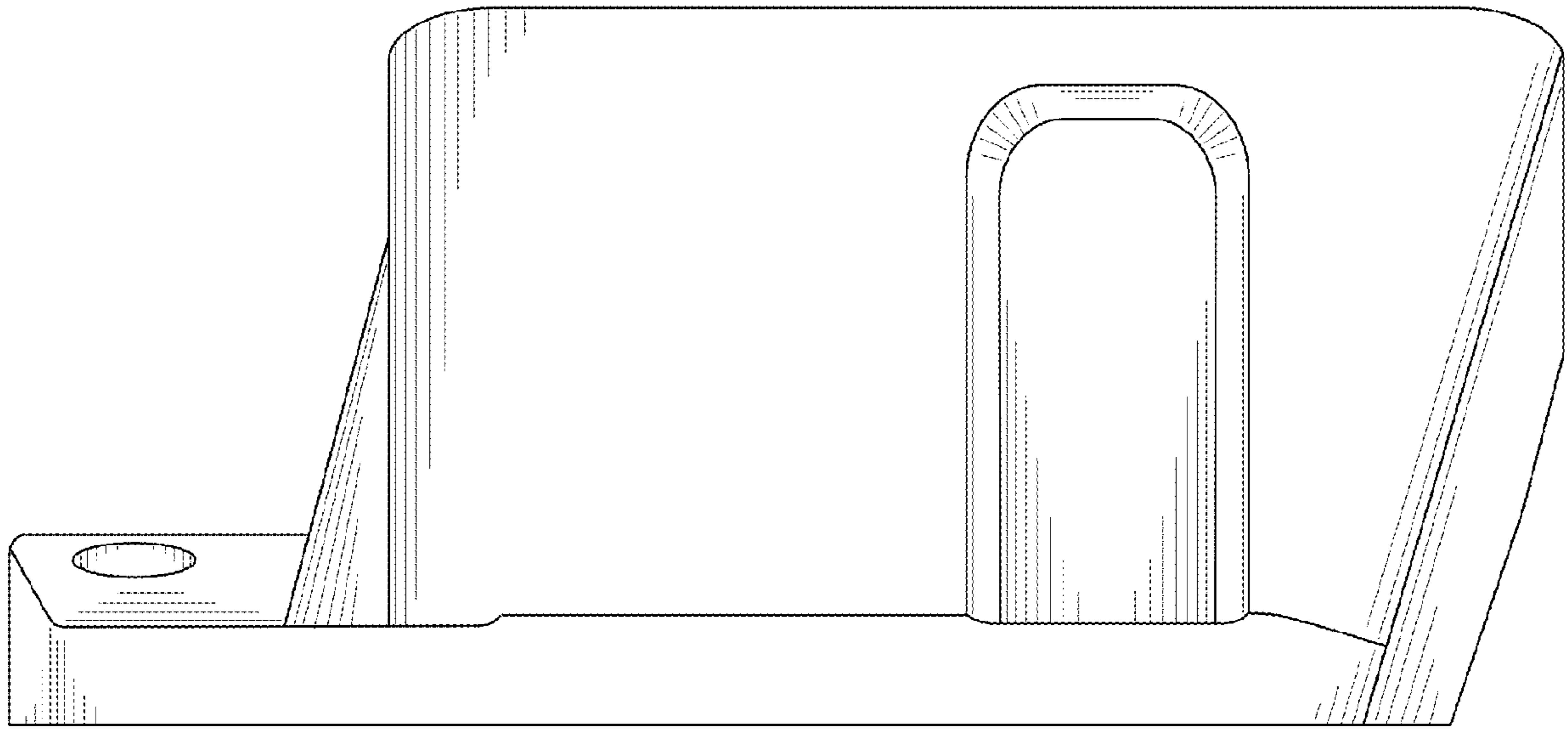


FIG. 2

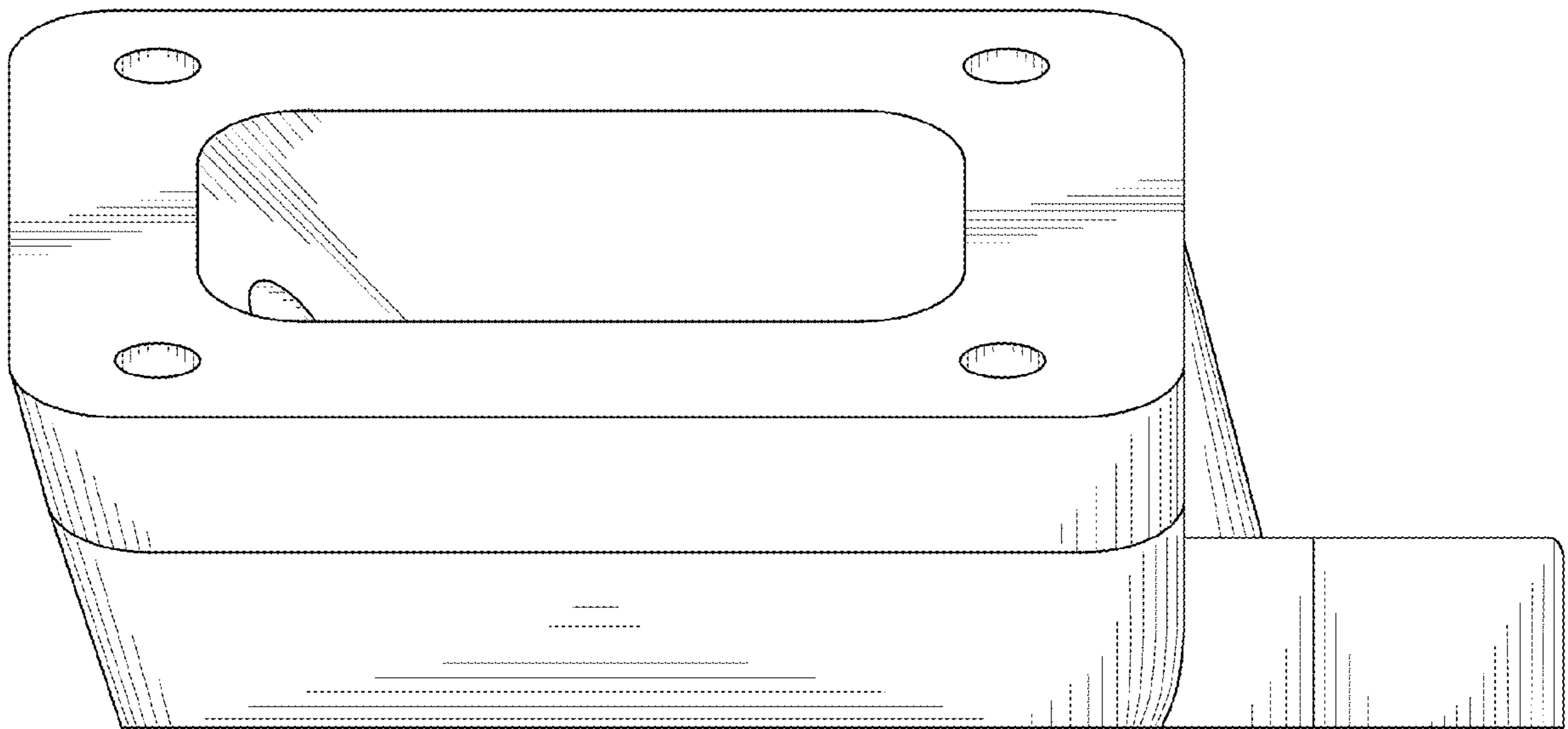


FIG. 3

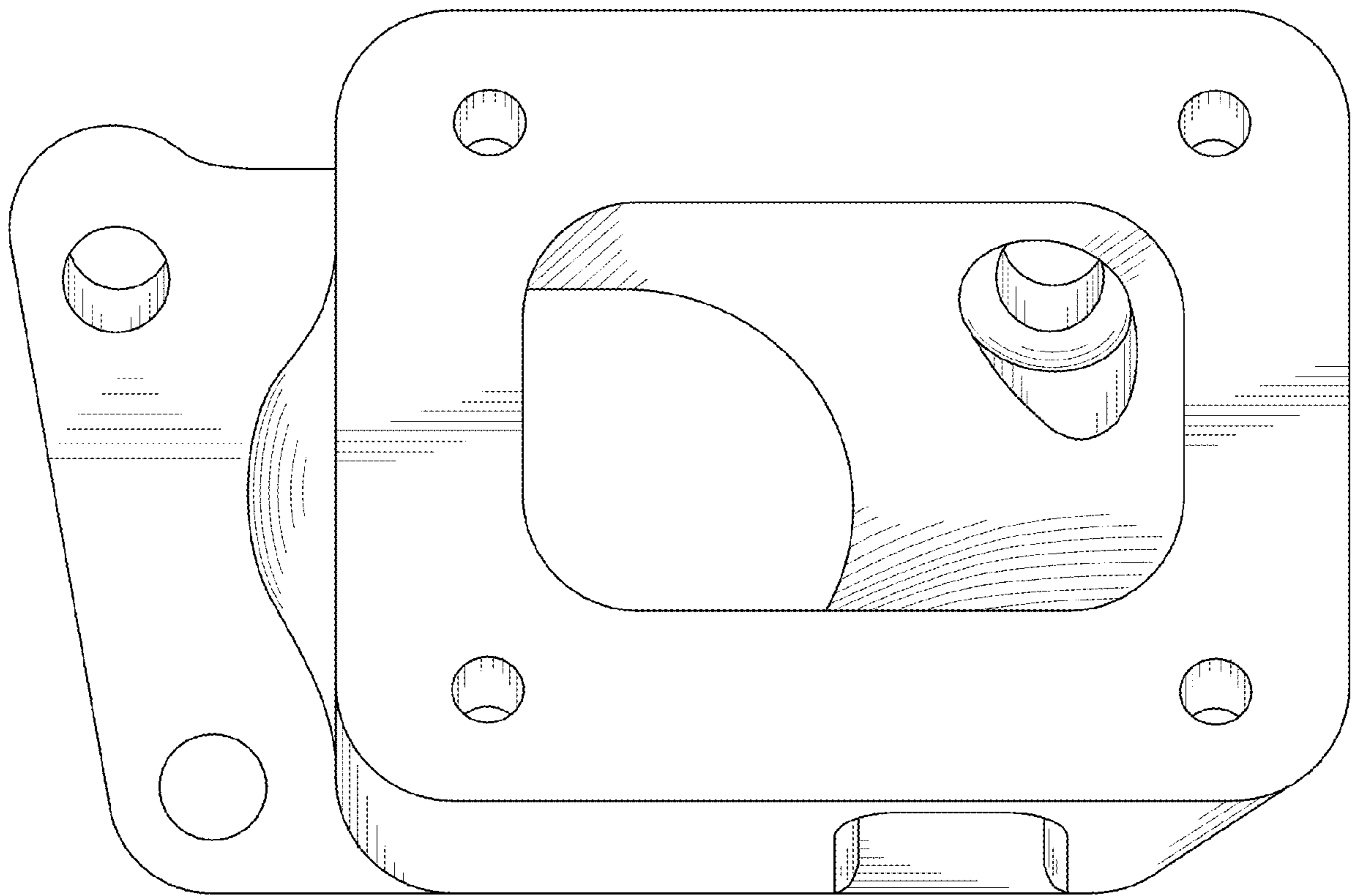


FIG. 4

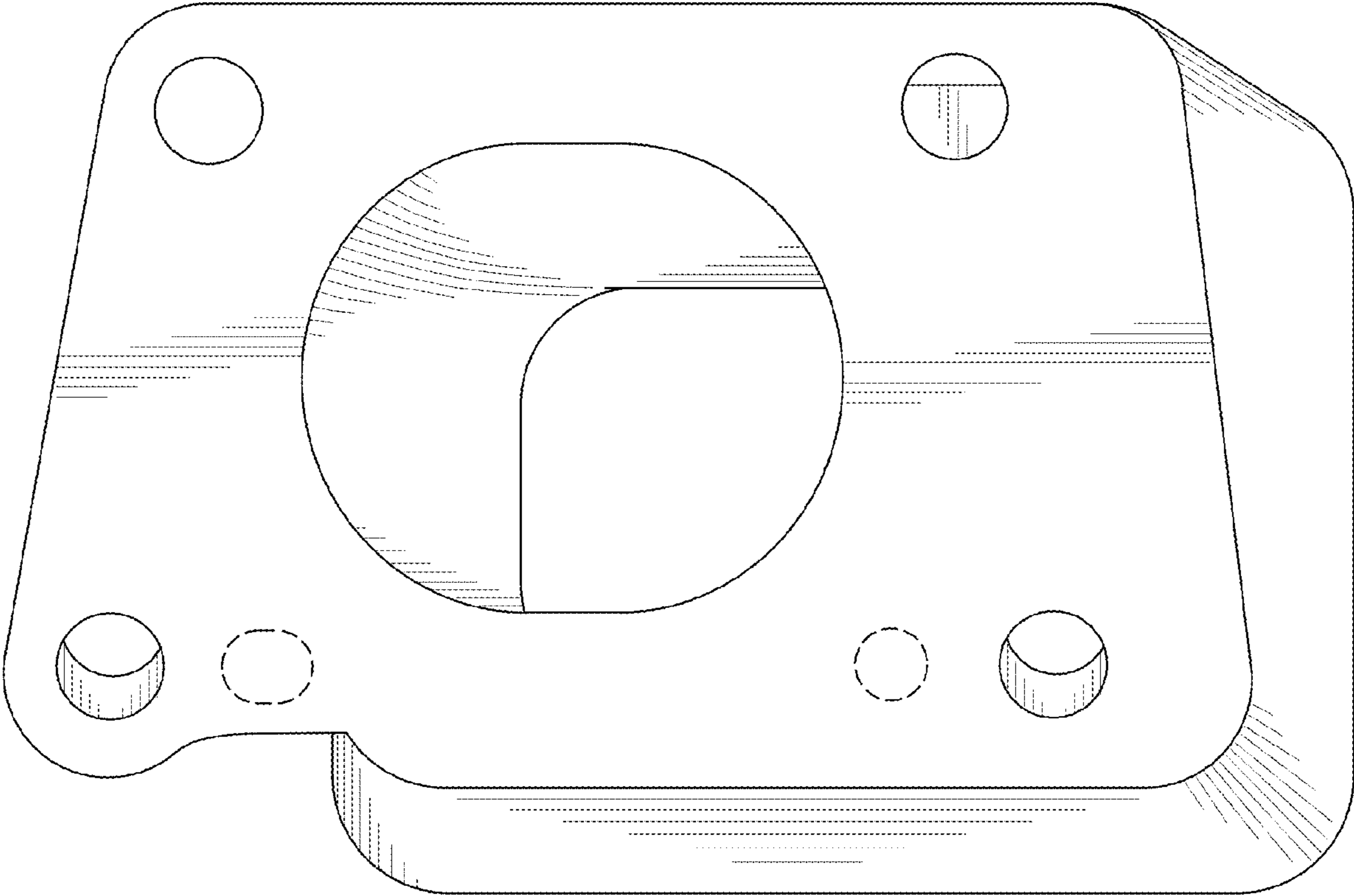


FIG. 5

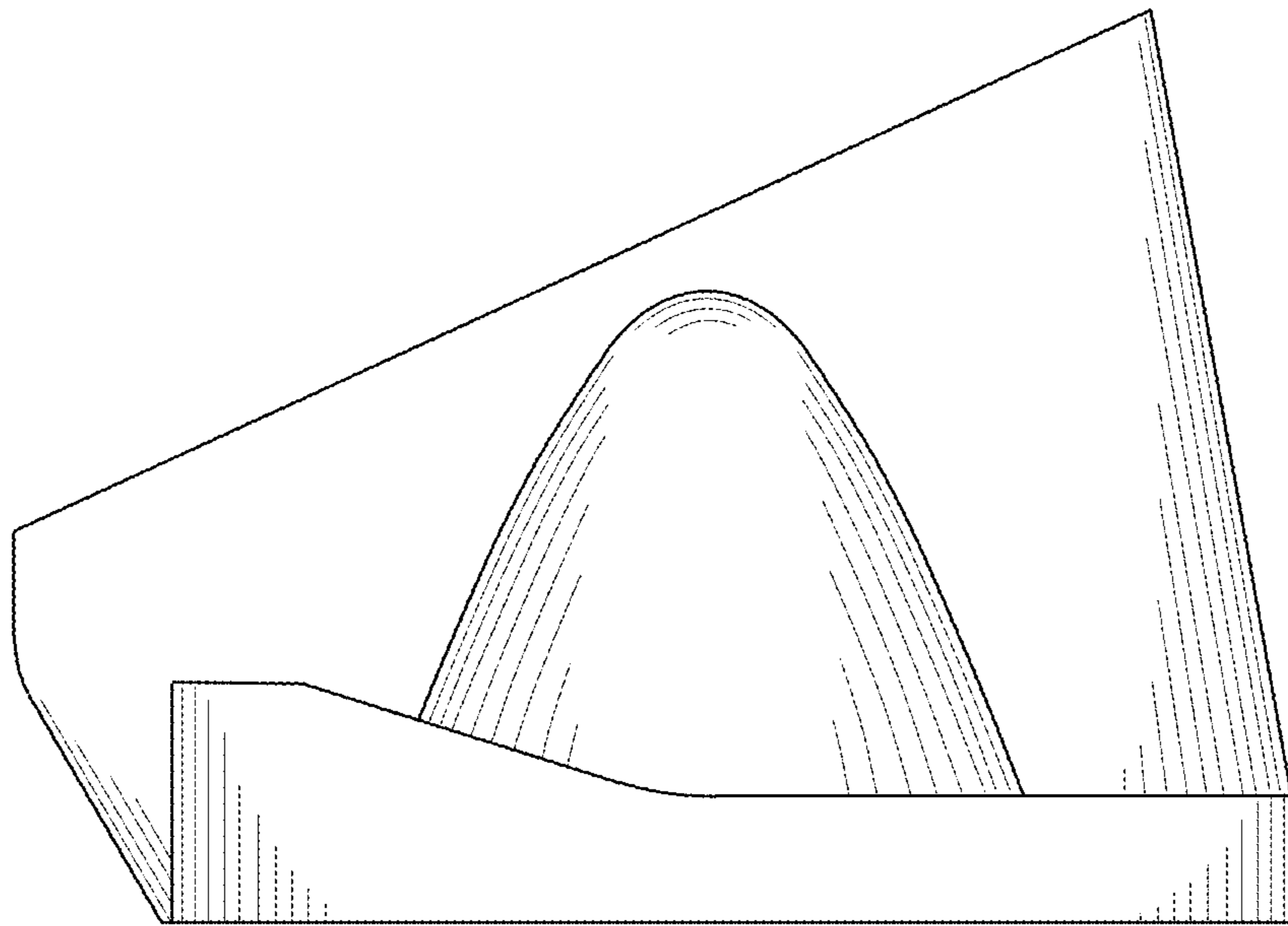


FIG. 6

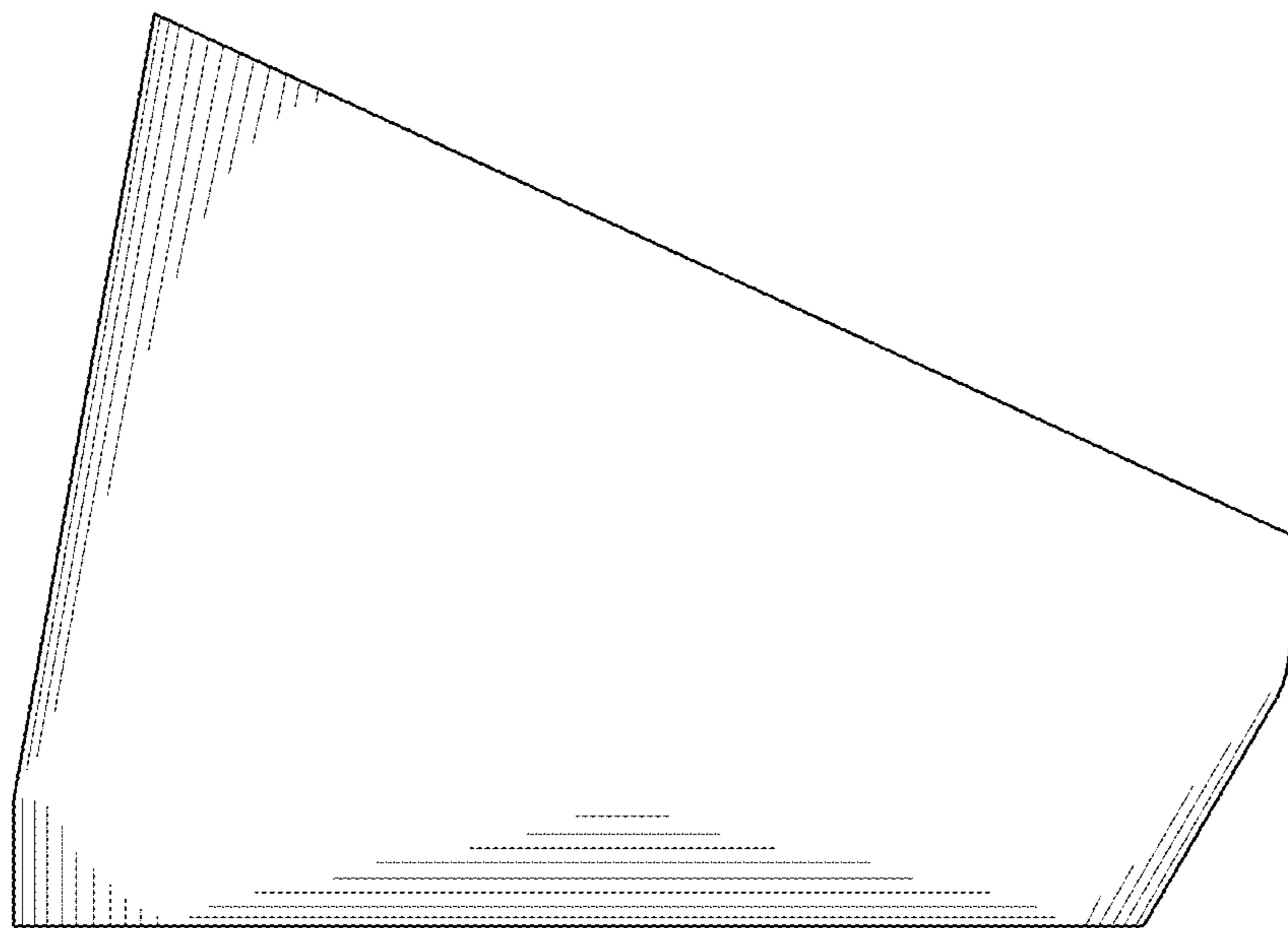


FIG. 7

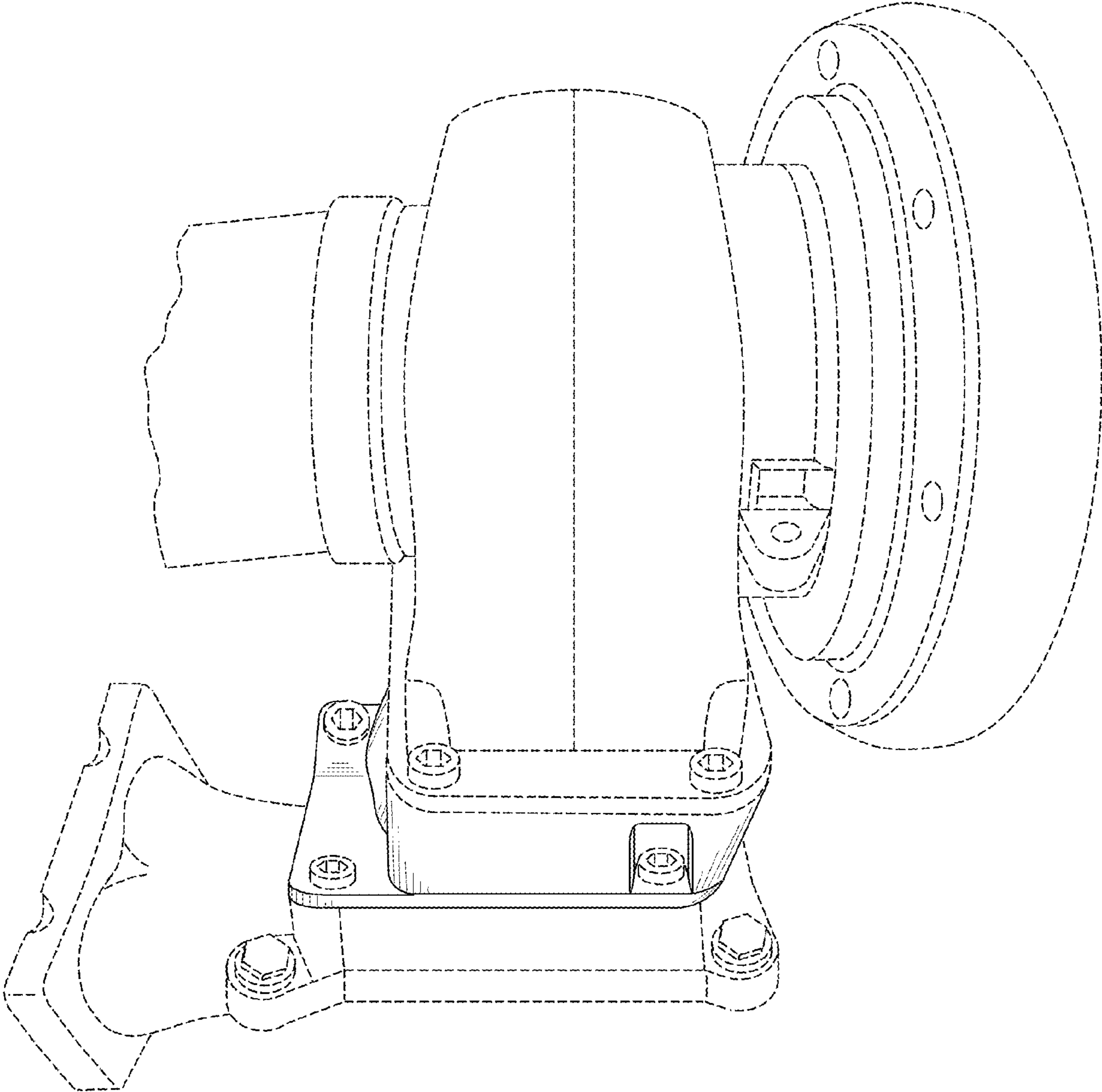


FIG. 8