



US00D907050S

(12) **United States Design Patent**
Vardar et al.

(10) **Patent No.:** **US D907,050 S**
(45) **Date of Patent:** **** Jan. 5, 2021**

(54) **MONITOR SUPPORT**

D462,969 S 9/2002 Scharer
D486,486 S 2/2004 Jobs
6,695,270 B1 2/2004 Smed
(Continued)

(71) Applicant: **Humanscale Corporation**, New York, NY (US)

(72) Inventors: **Mesve Vardar**, New York, NY (US);
Fabian Monsalve, New York, NY (US); **Paul Sukphisit**, New York, NY (US)

FOREIGN PATENT DOCUMENTS

CN 301901575 * 5/2012
CN 305203567 * 6/2019
(Continued)

(73) Assignee: **Humanscale Corporation**, New York, NY (US)

OTHER PUBLICATIONS

Amazon. Link: https://www.amazon.com/dp/B07SMLPQ8H/ref=cm_sw_r_tw_dp_U_x_JT1CEbbEBRPD3. Aug. 28, 2019. StarTech.com Wall Mount Monitor Arm—Premium—10.2" Single Swivel—Support. (Year: 2019).*

(**) Term: **15 Years**

(21) Appl. No.: **29/645,342**

(22) Filed: **Apr. 25, 2018**

(51) **LOC (13) Cl.** **14-02**

(52) **U.S. Cl.**
USPC **D14/452**

(58) **Field of Classification Search**
USPC D14/447–452, 336, 341, 371, 373, 374,
D14/375, 376, 377, 126, 127, 128, 129,
D14/239

CPC F16M 11/105; F16M 11/10; F16M 11/048;
F16M 11/12; F16M 13/022
See application file for complete search history.

(Continued)

Primary Examiner — Lauren D McVey

(74) *Attorney, Agent, or Firm* — Womble Bond Dickinson (US) LLP

(57) **CLAIM**

We claim the ornamental design for a monitor support, as shown and described.

DESCRIPTION

FIG. 1 is a front perspective view of a monitor support illustrating our new design; FIG. 2 is a rear perspective view thereof; FIG. 3 is a rear view thereof; FIG. 4 is a front view thereof; FIG. 5 is a right side view thereof; FIG. 6 is a left side view thereof; FIG. 7 is a top view thereof; and, FIG. 8 is a bottom view thereof.

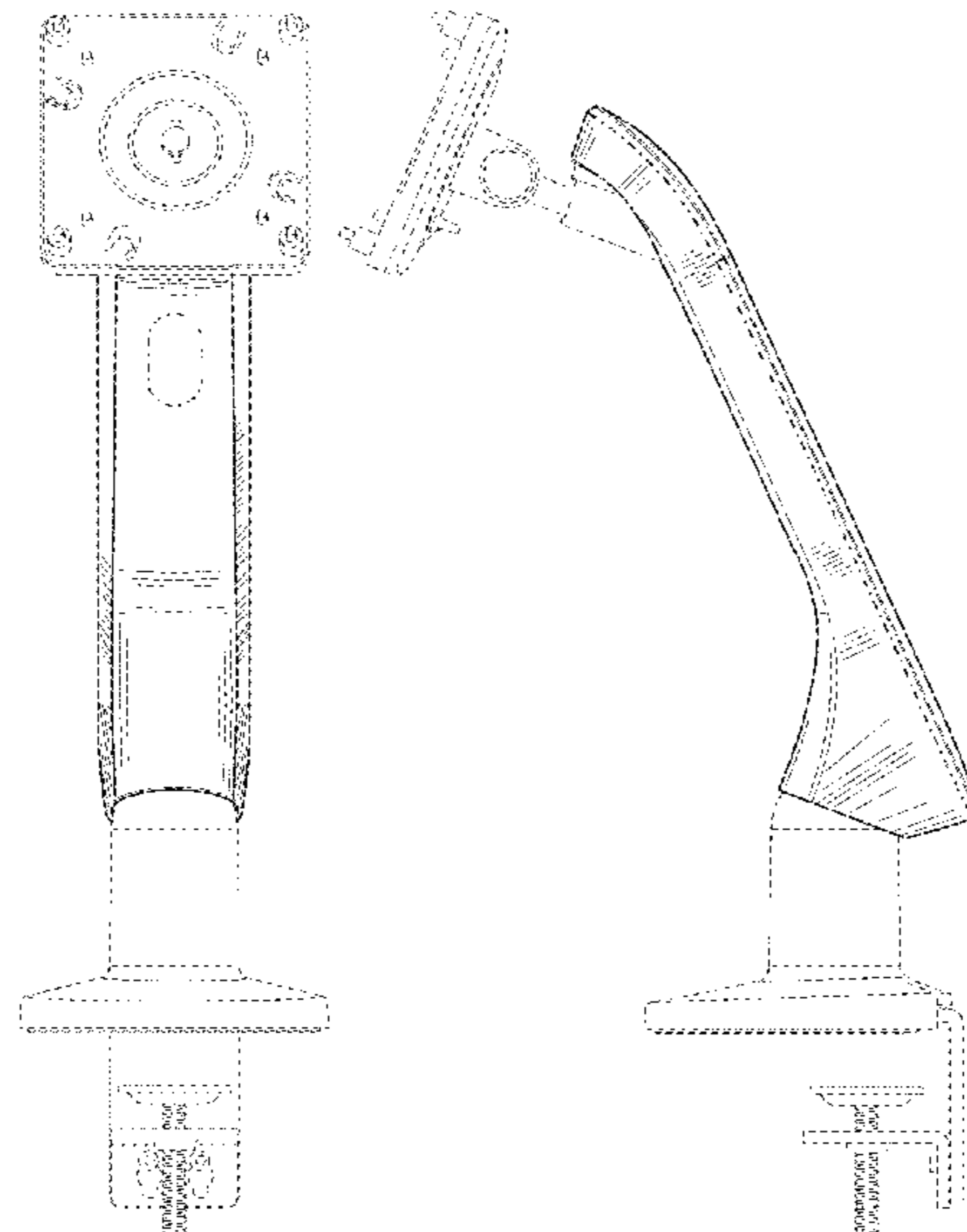
The dash-dash lines in the figures show environmental elements that form no part of the claimed design. The dash-dot lines show unclaimed boundaries that form no part of the claimed design.

(56) **References Cited**

U.S. PATENT DOCUMENTS

D275,431 S 9/1984 Usah
D391,148 S 2/1998 Rosen
D391,945 S 3/1998 Rosen
5,743,503 A 4/1998 Voeller
5,799,917 A 9/1998 Li
D406,228 S 3/1999 Vogels
D423,745 S * 4/2000 Theis D32/60
D429,251 S 8/2000 Sundy
D435,107 S 12/2000 Blair
D435,852 S 1/2001 Oddsen, Jr.

1 Claim, 8 Drawing Sheets



(56)

References Cited

U.S. PATENT DOCUMENTS

D496,367 S 9/2004 Pfister
 D506,257 S * 6/2005 Smith D24/172
 D508,917 S 8/2005 Wills
 6,935,883 B2 8/2005 Oddsen, Jr.
 D509,826 S 9/2005 Jobs
 D512,698 S 12/2005 Augenbraun et al.
 D521,996 S 5/2006 Kim
 D522,010 S 5/2006 Piazza et al.
 D537,323 S 2/2007 Saez
 7,207,537 B2 4/2007 Hung
 D541,807 S 5/2007 Oddsen, Jr. et al.
 D542,297 S 5/2007 Hung
 7,252,277 B2 8/2007 Sweere
 D556,205 S 11/2007 Wohlford
 D557,125 S 12/2007 Worrall et al.
 D559,662 S 1/2008 Sculler
 D562,331 S * 2/2008 Li D14/451
 7,338,022 B2 3/2008 Hung
 7,389,965 B2 6/2008 Oddsen, Jr. et al.
 7,395,995 B2 7/2008 Chen
 D584,734 S 1/2009 Chu
 7,510,155 B2 3/2009 Huang et al.
 7,540,457 B2 6/2009 Oddsen, Jr. et al.
 D598,917 S 8/2009 Luber
 D606,548 S 12/2009 Sapper
 D608,771 S 1/2010 Hsu
 7,677,515 B2 3/2010 Oddsen
 7,677,518 B2 3/2010 Chouinard et al.
 7,694,927 B2 4/2010 Chuang
 D622,900 S 8/2010 Chiu
 D624,083 S 9/2010 Scheper et al.
 D624,084 S 9/2010 Scheper et al.
 D627,474 S 11/2010 Nordgren
 D631,052 S 1/2011 Hung
 D636,765 S 4/2011 Molter et al.
 D643,042 S 8/2011 Saelid
 D651,199 S 12/2011 Huang
 D652,030 S 1/2012 Dolack
 D654,503 S 2/2012 Sapper
 D655,297 S 3/2012 Magnusson
 D655,532 S 3/2012 Saelid
 D660,845 S 5/2012 Schmauch
 8,191,487 B2 6/2012 Theesfeld et al.
 8,254,092 B2 8/2012 Russel
 D668,256 S 10/2012 Matteo
 D668,257 S 10/2012 Tsai
 D679,016 S 3/2013 Jarva
 D685,806 S * 7/2013 Kim D14/451
 D688,674 S 8/2013 Lau et al.
 D690,306 S 9/2013 Malisse
 D692,901 S * 11/2013 Chung D14/451
 D699,728 S * 2/2014 Kim D14/451
 8,720,838 B2 5/2014 Bowman
 D706,265 S * 6/2014 Lee D14/374
 D708,259 S 7/2014 Fagan
 D709,896 S 7/2014 McKinstry
 8,777,172 B2 7/2014 Sapper
 8,839,723 B2 9/2014 Hazzard et al.
 D714,775 S 10/2014 Yoo
 D715,938 S 10/2014 Li et al.
 D719,821 S 12/2014 McGrath
 8,931,748 B2 1/2015 Bowman
 D724,072 S 3/2015 Jiang
 D725,110 S * 3/2015 Francke D14/388
 9,074,721 B2 7/2015 Lau et al.
 9,080,721 B2 7/2015 Hazzard et al.
 D735,727 S 8/2015 Dugger
 D740,830 S 10/2015 Chu
 D745,873 S 12/2015 Xiang et al.
 D747,179 S 1/2016 Xiang et al.
 9,267,639 B2 2/2016 Sweere et al.
 D751,565 S 3/2016 Gross
 D751,566 S 3/2016 Anderson
 9,277,812 B2 3/2016 Bennett

D758,375 S 7/2016 Won et al.
 D760,724 S * 7/2016 Kang D14/447
 9,400,083 B2 7/2016 Sapper et al.
 D769,881 S 10/2016 Lazzi et al.
 9,599,275 B1 3/2017 Parduhn
 D787,522 S 5/2017 Lee
 9,657,889 B1 5/2017 Chumakov
 D792,419 S 7/2017 Shen
 D796,519 S 9/2017 Hung
 9,760,119 B2 9/2017 Hung
 D798,848 S 10/2017 Frank
 D805,085 S 12/2017 Xiang et al.
 D807,373 S 1/2018 Thetard
 D812,066 S 3/2018 Lazzi
 D833,428 S * 11/2018 Catania D14/336
 D843,379 S * 3/2019 Lindo D14/452
 D843,380 S * 3/2019 Lindo D14/452
 D848,819 S 5/2019 French
 2004/0159757 A1 8/2004 Pfister
 2005/0284991 A1 12/2005 Saez
 2006/0022102 A1 2/2006 Dittmer
 2006/0126282 A1 * 6/2006 Chen G06F 1/1601
 361/679.22
 2006/0266903 A1 11/2006 Oddsen
 2007/0040084 A1 2/2007 Sturman et al.
 2008/0315048 A1 12/2008 Sakata
 2011/0147546 A1 6/2011 Monsalve et al.
 2011/0260017 A1 10/2011 Monsalve et al.
 2011/0303805 A1 12/2011 Lau
 2011/0315843 A1 12/2011 Hung
 2012/0119040 A1 5/2012 Ergun et al.
 2012/0187056 A1 7/2012 Hazzard
 2012/0267497 A1 10/2012 Bowman
 2013/0126682 A1 5/2013 Tholkes et al.
 2013/0161465 A1 6/2013 Huang
 2014/0137773 A1 5/2014 Mandel et al.
 2014/0367137 A1 12/2014 Leung
 2018/0372261 A1 12/2018 Vlaar

FOREIGN PATENT DOCUMENTS

EP 0481159 2/1991
 WO D008784-001 8/1987

OTHER PUBLICATIONS

Amazon. Link: https://www.amazon.com/dp/B079YQQDT2/ref=cm_sw_r_tw_dp_U_x_YV1CEb9XNEJVQ. Aug. 24, 2018. AmazonBasics Single PC Monitor Stand—Modular Arm Mount. (Year: 2018).
 Amazon. <URL:https://www.amazon.com/dp/BOOBRBX3DM/ref=asc_df_BOOBRBX3DM5102834/?tag=hyprod/OC2cYOAD2O&creative=394997&creativeASIN=BOOBRX3DM&linkCode=OE2%27%2F080%A6>Mar. 29, 2013, Ergotron Mounting Arm, 9 pgs.
 Dell Monitor Stand User's Guide (USB 3.0 Dock MKS14), Aug. 2015, 23 pgs.
 Ergotron DS100 Quad-Monitor Desk Stand, <http://ergotron.com/ProductsDetails/tabid/65/PRDID/196/language/en-US/Default.aspx>, known at least as early as Jun. 7, 2016, 2 pgs.
 Humanscale's Quickstand Workstation, <http://www.humanscale.com/products/product.cfm?group=quickstand>, known at least as early as Jun. 7, 2016, 3 pgs.
 M2 Monitor Arm Brochure, Humanscale, known at least as early as Dec. 21, 2016, 5 pgs.
 M8 Monitor Arm Brochure, Humanscale, known at least as early as Dec. 21, 2016, 4 pgs.
 Office Depot & OfficeMax. <URL:<http://www.officedepot.com/catalog/search.do?Ntt=302938%27%2F0E2%27%2F080%A6>>OEPABPABDWorkFir/oEPABPABDS%EP/oBP/013Display/OEP/OBF%BDStand.> Feb. 2, 2016. Ergotron WorkFit S Display Stand, 2 pgs.
 YouTube, <URL:<https://www.youtube.com/watch?v=kY3zIRz-ZKY>> Aug. 1, 2016, HumanScale Quick Stand, 2 pgs.

* cited by examiner

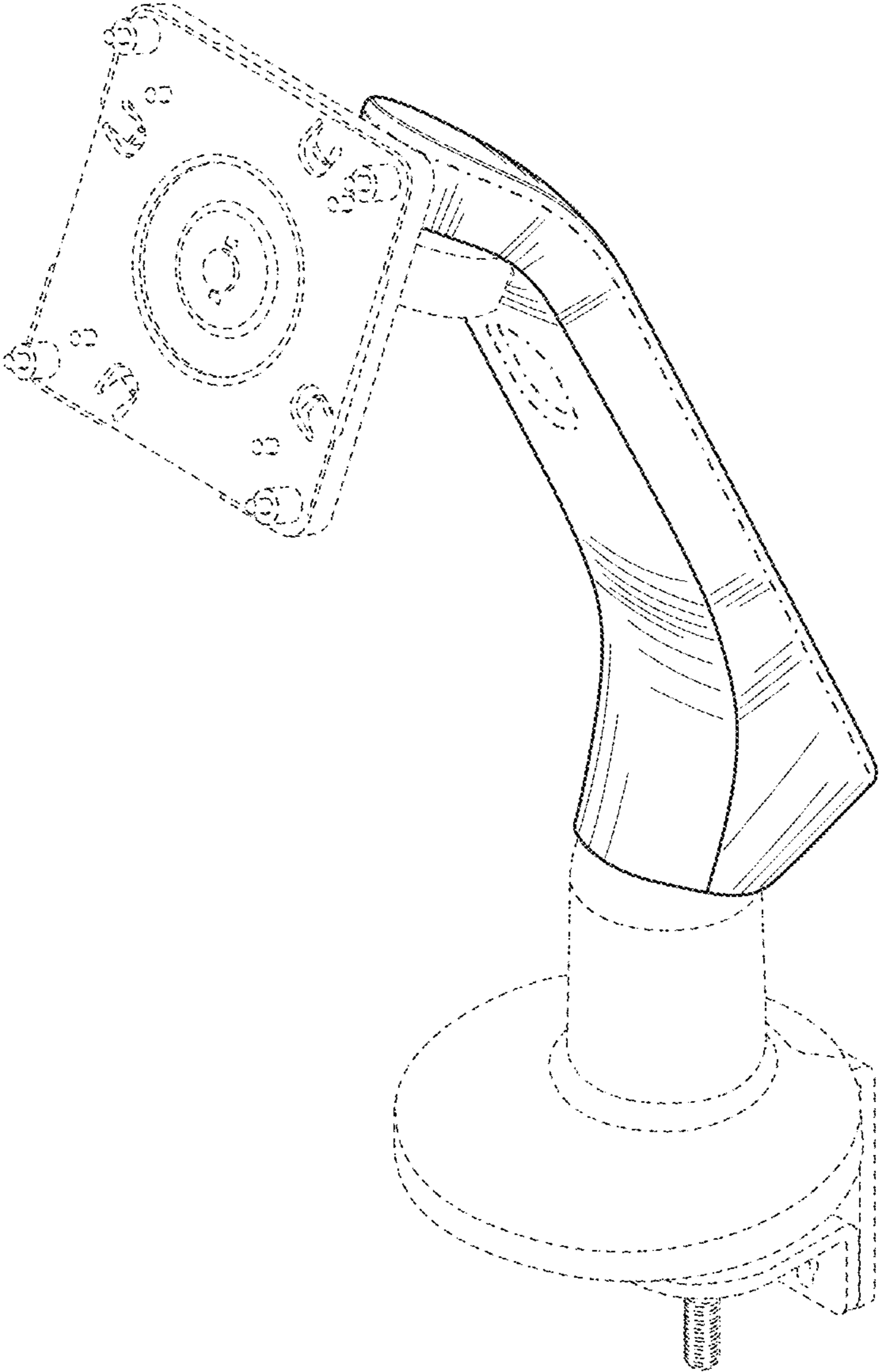


FIG. 1

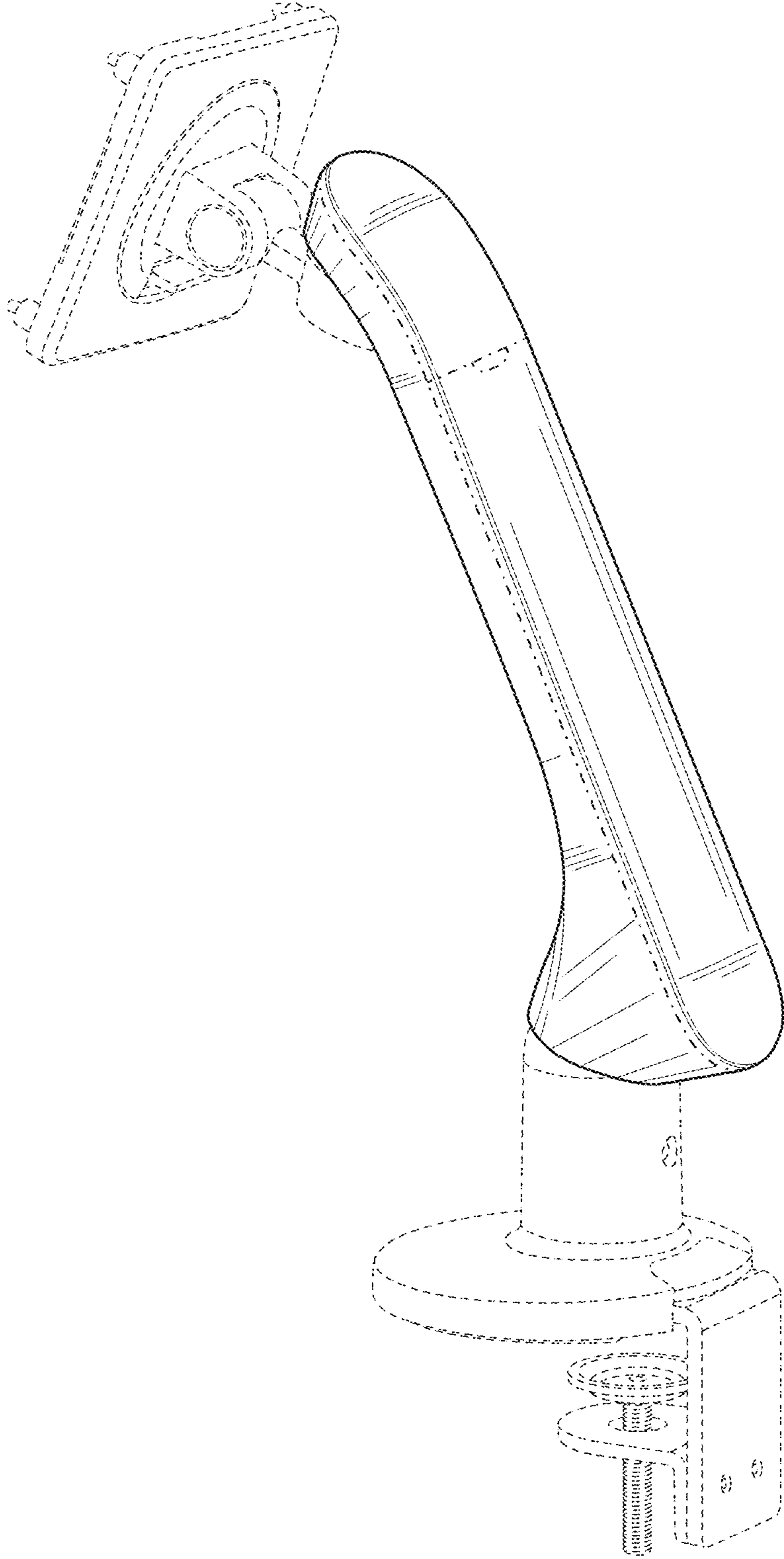


FIG. 2

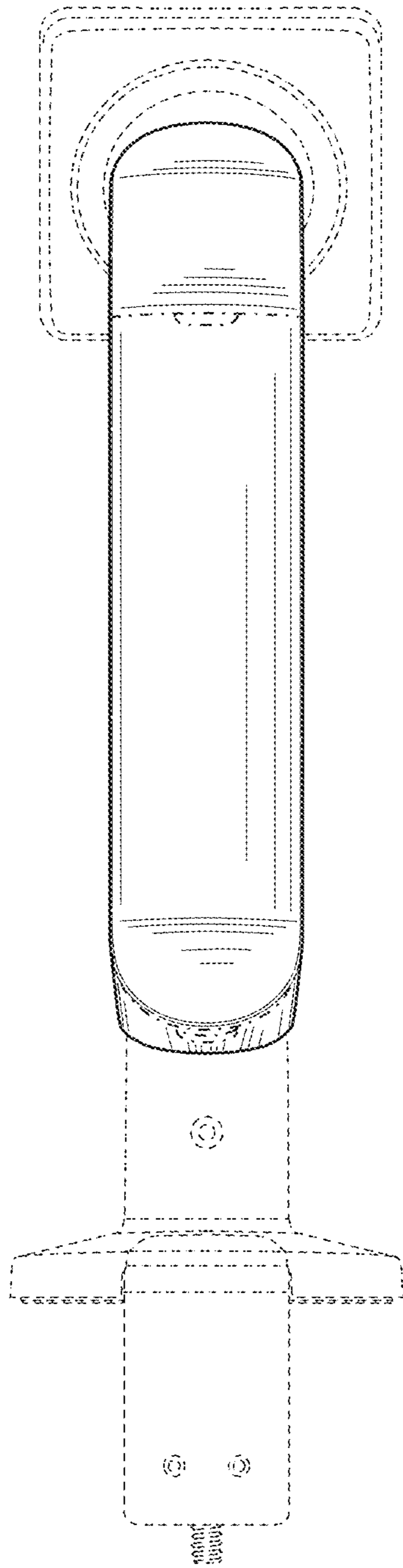


FIG. 3

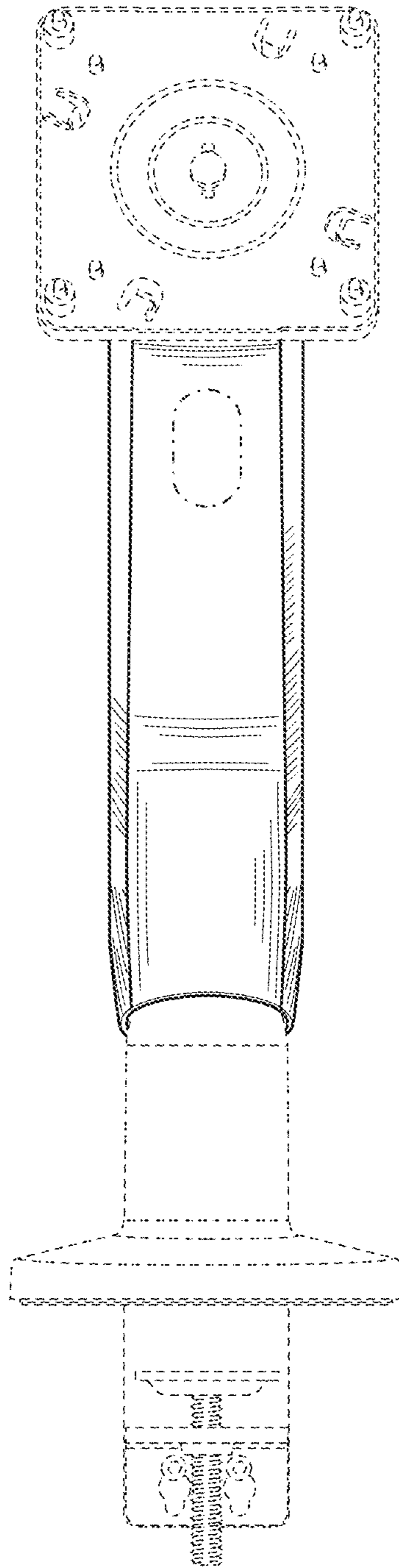


FIG. 4

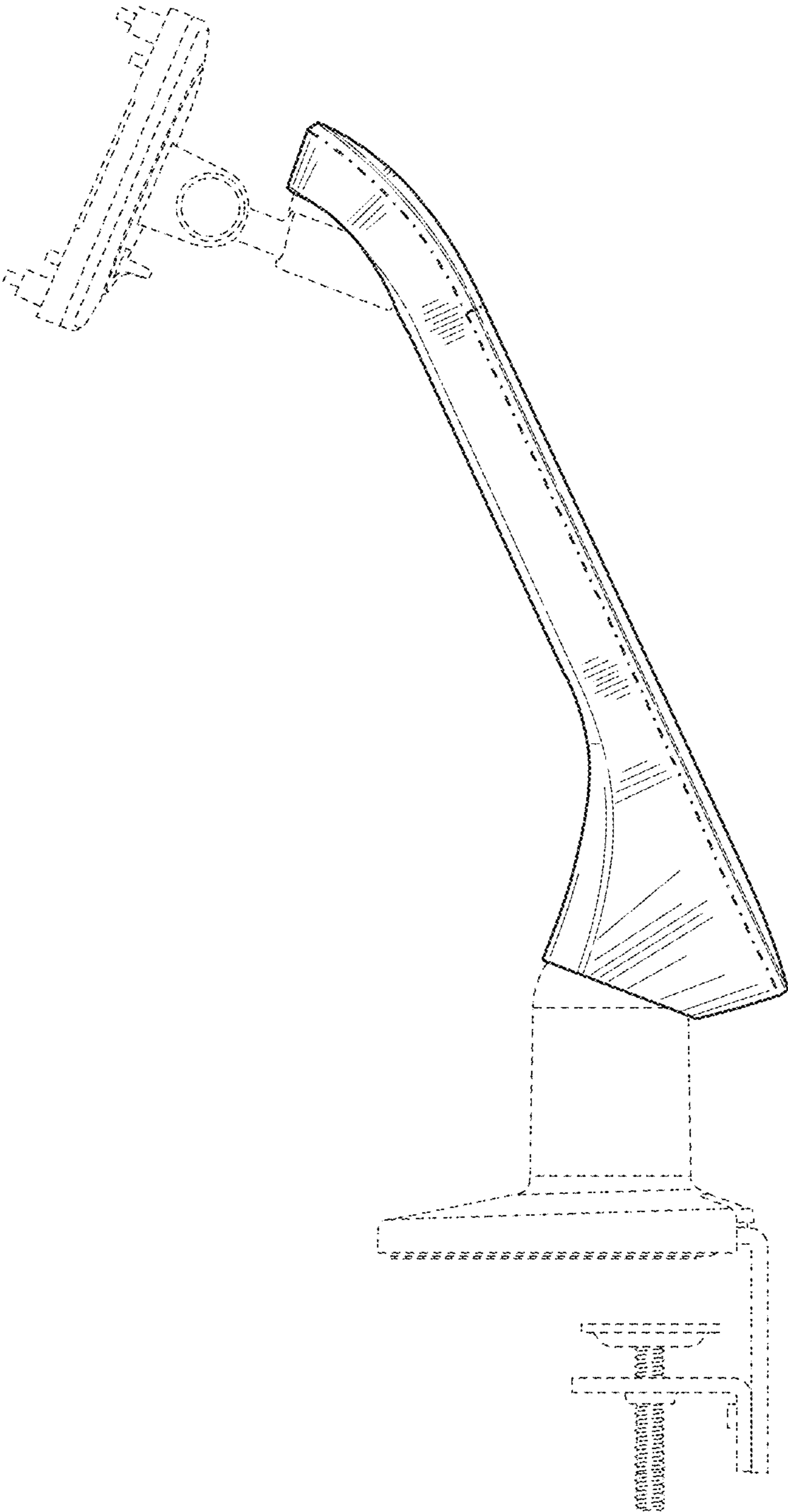


FIG. 5

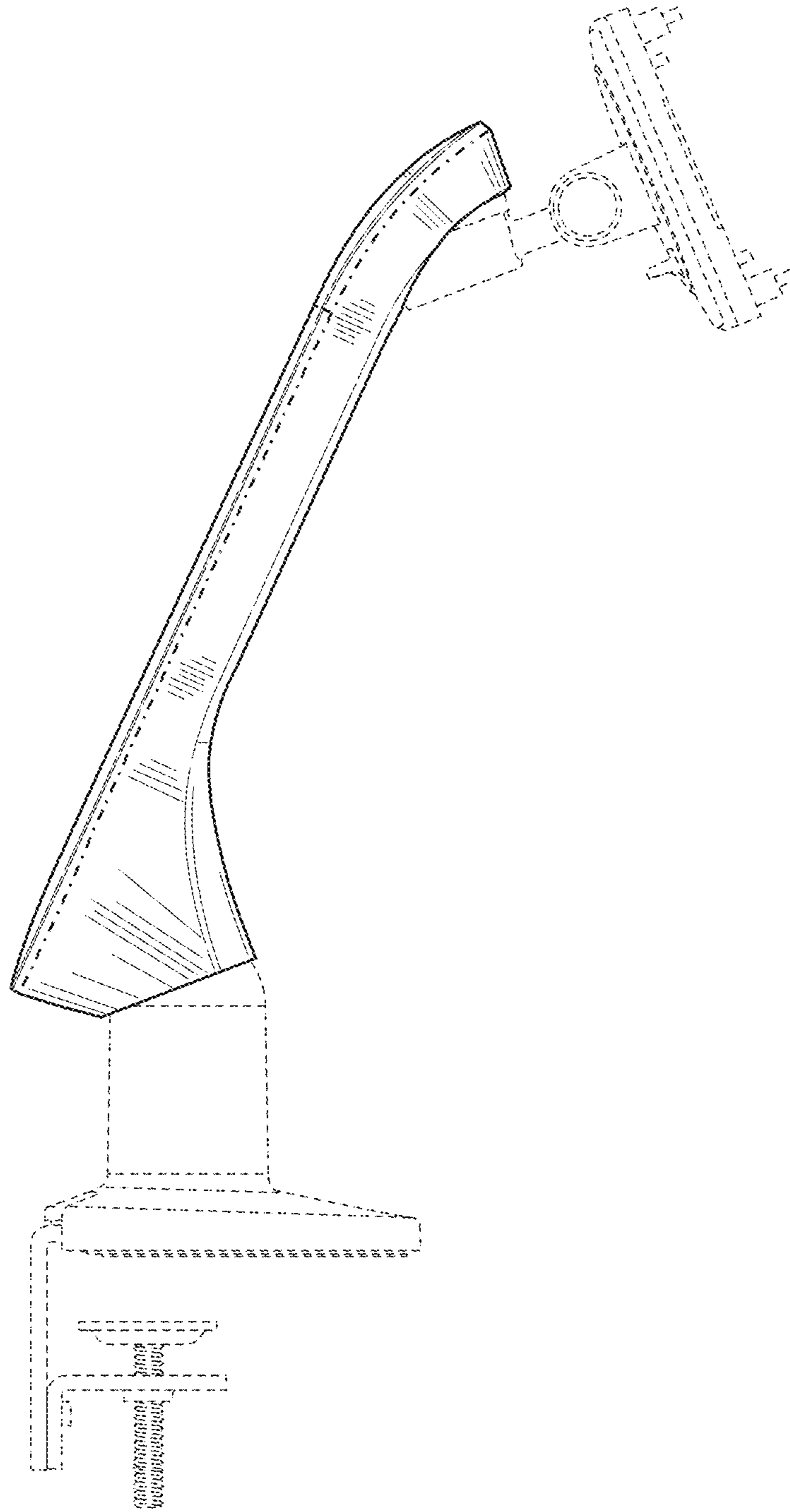


FIG. 6

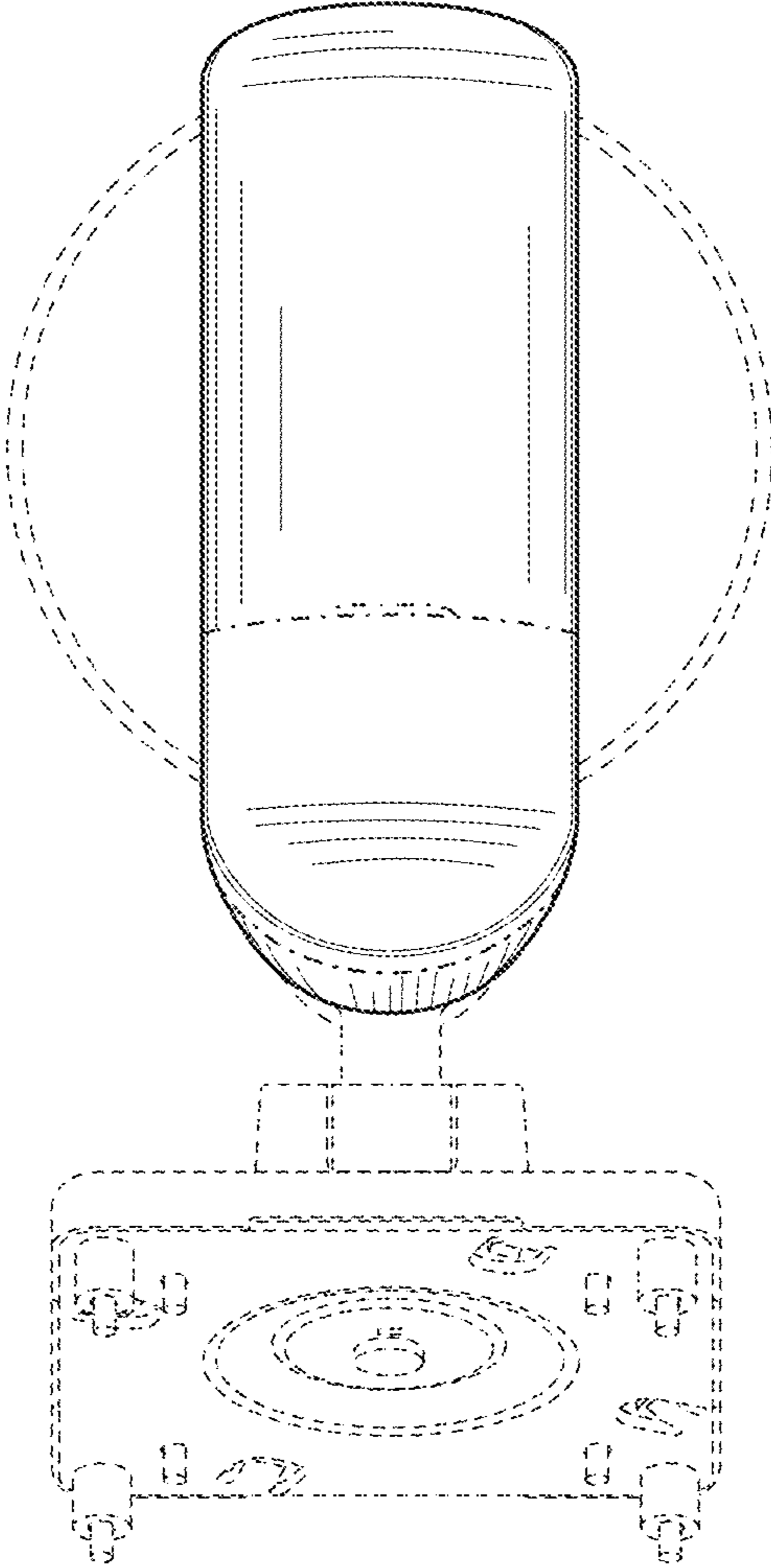


FIG. 7

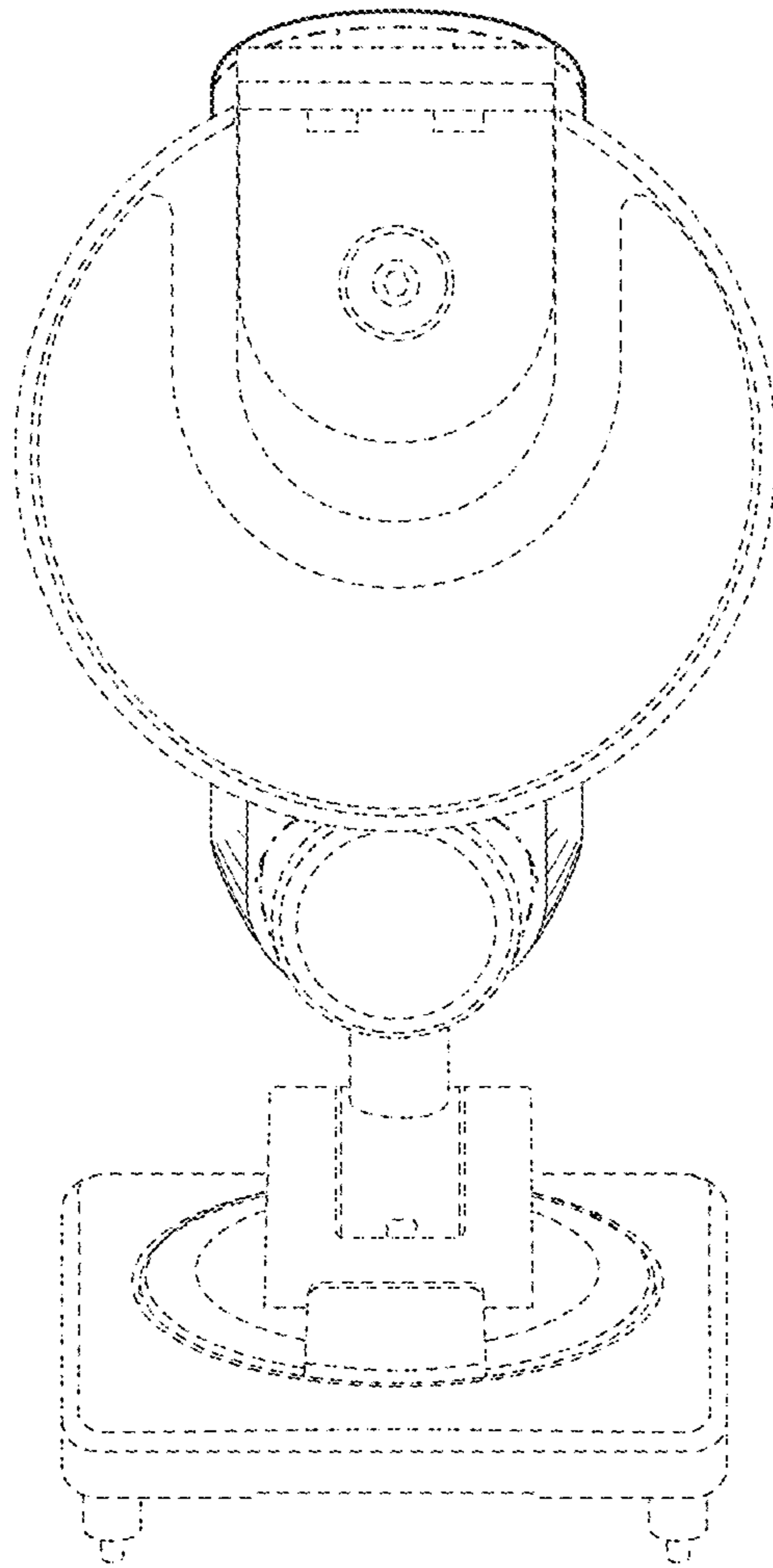


FIG. 8