



US00D907048S

(12) **United States Design Patent**  
**Wang**

(10) **Patent No.:** **US D907,048 S**  
(45) **Date of Patent:** **\*\* Jan. 5, 2021**

(54) **PROTECTIVE COVER FOR EARPHONE CHARGING CASE**

D890,765 S \* 7/2020 Lee ..... D14/440  
D890,766 S \* 7/2020 Lee ..... D14/440  
D897,664 S \* 10/2020 Li ..... D3/201

(71) Applicant: **SHENZHEN JU NETWORK TECHNOLOGY CO., LTD**, Shenzhen (CN)

(72) Inventor: **Kai Wang**, Shenzhen (CN)

(73) Assignee: **SHENZHEN JU NETWORK TECHNOLOGY CO., LTD**, Shenzhen (CN)

(\*\*) Term: **15 Years**

(21) Appl. No.: **29/743,307**

(22) Filed: **Jul. 21, 2020**

(51) **LOC (13) Cl.** ..... **14-02**

(52) **U.S. Cl.**  
USPC ..... **D14/440; D3/294**

(58) **Field of Classification Search**  
USPC ..... D3/218, 201, 207–208, 212, 215, 269, D3/273, 294; D14/440, 447, 250; 294/25; 206/45.23, 45.2, 305, 320; 361/679.55; 224/218  
CPC ..... A45C 3/02; A45C 13/20; A45C 7/0022; A45C 13/262; A47B 23/044; H04B 1/3888; G06F 1/1626; G06F 1/1628; B25H 3/02

See application file for complete search history.

(56) **References Cited**

**U.S. PATENT DOCUMENTS**

D793,074 S \* 8/2017 Tollefsbol ..... D3/201  
D846,264 S \* 4/2019 Wu ..... D3/201  
D881,566 S \* 4/2020 Lee ..... D3/271.1  
D882,259 S \* 4/2020 Liu ..... D3/269  
D883,296 S \* 5/2020 Lee ..... D14/440  
D886,445 S \* 6/2020 Hyun ..... D3/201

**OTHER PUBLICATIONS**

For AirPods 2 2019 Wireless Armor Case Heavy Duty Rugged Earphone Charging Cover (Black), amazon.com (Year: 2019).  
“Airpods Case Keychain, Airpods Pro Case, Airpod Charging Protective Case, Earbud Case, PU Leather Hard case, Portable Carrying Case with Metal Clasp and Keychain Compatible with Apple AirPods earphone”, Retrieved Jul. 21, 2020], Retrieved from Internet, <https://www.amazon.com/Keychain-Charging-Protective-Compatible-Bluetooth/dp/B077D9G334/ref>.  
“Case Compatible with Apple AirPods Pro, Air Pod 2 & 1, Earbuds Cover with Carabiner for Carrying Wireless (Charging) Box with Earbuds—Black by Comecase”, Retrieved Jul. 21, 2020]. Retrieved from Internet, <https://www.amazon.com/Compatible-Accessories-Carabiner-Carrying-Wireless/dp/B0822CPQFN/ref>.

\* cited by examiner

*Primary Examiner* — Catherine R Oliver-Garcia

(57) **CLAIM**

The ornamental design for a protective cover for earphone charging case, as shown and described.

**DESCRIPTION**

FIG. 1 is a perspective view of a protective cover for earphone charging case showing my new design;  
FIG. 2 is another perspective view thereof;  
FIG. 3 is a front elevational view thereof;  
FIG. 4 is a rear elevational view thereof;  
FIG. 5 is a left side elevational view thereof;  
FIG. 6 is a right side elevational view thereof;  
FIG. 7 is a top plan view thereof; and,  
FIG. 8 is a bottom plan view thereof.  
The broken lines in the drawings depict portions of the protective cover for earphone charging case that form no part of the claimed design.

**1 Claim, 8 Drawing Sheets**

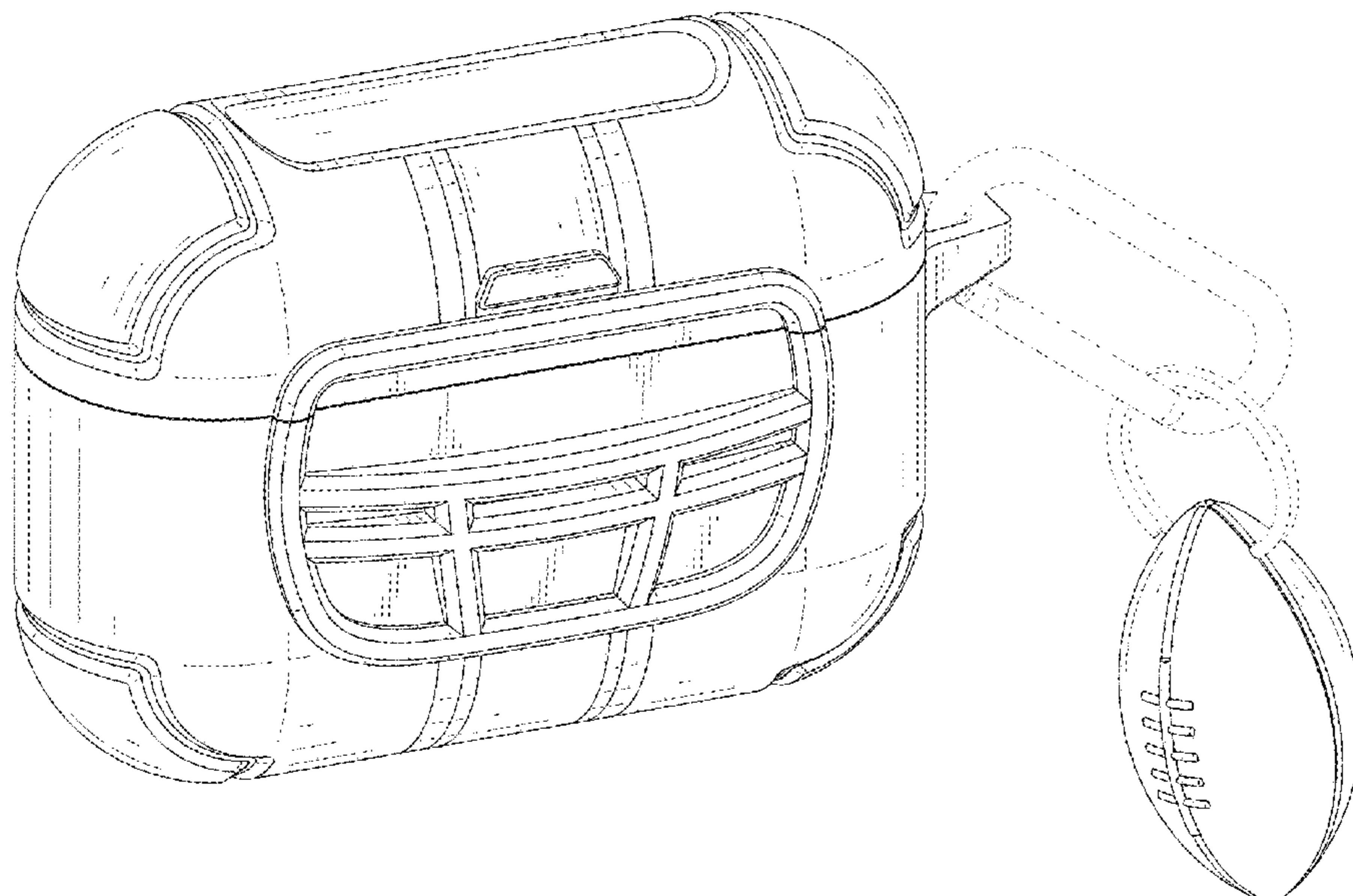




FIG. 1



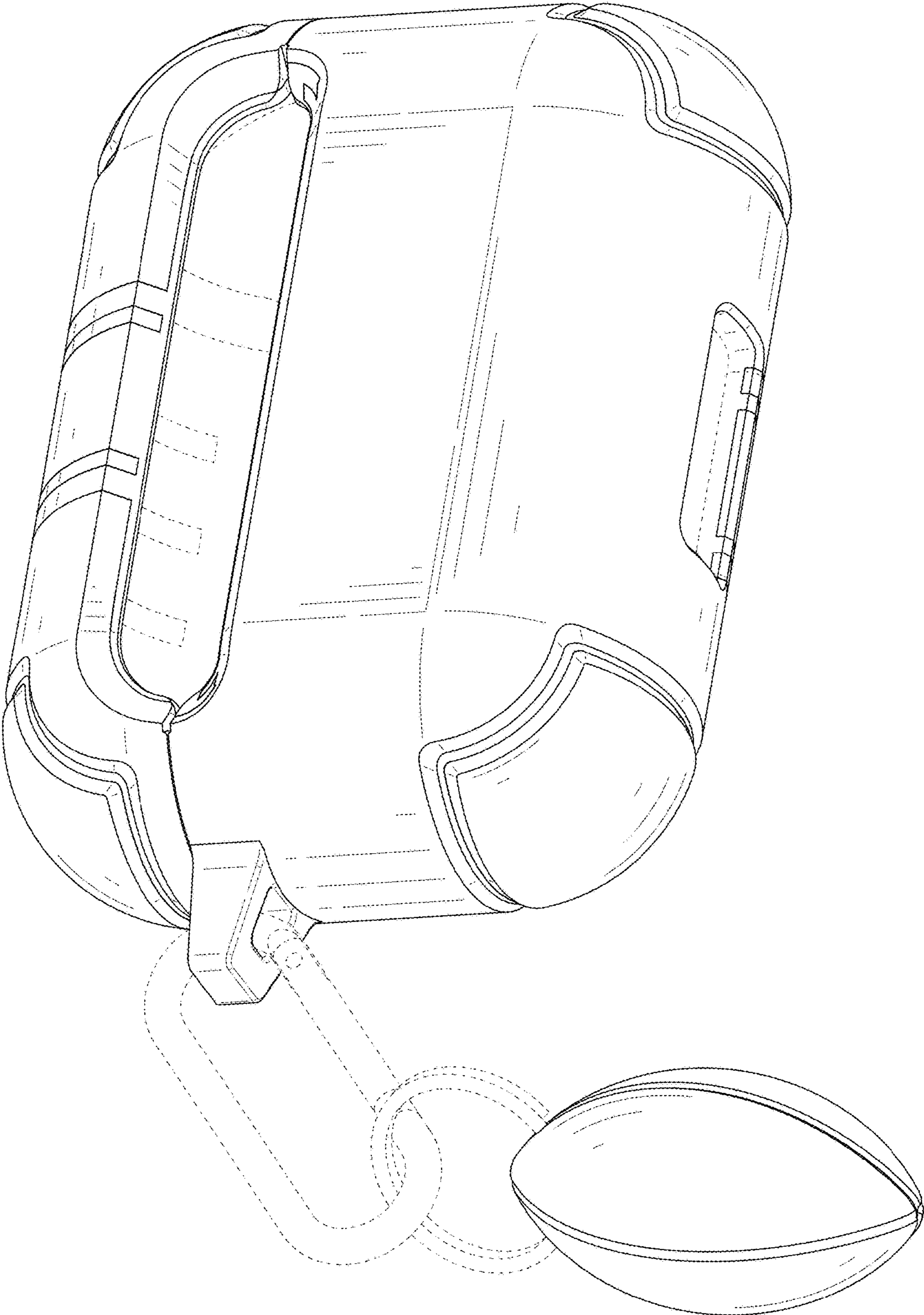


FIG. 2

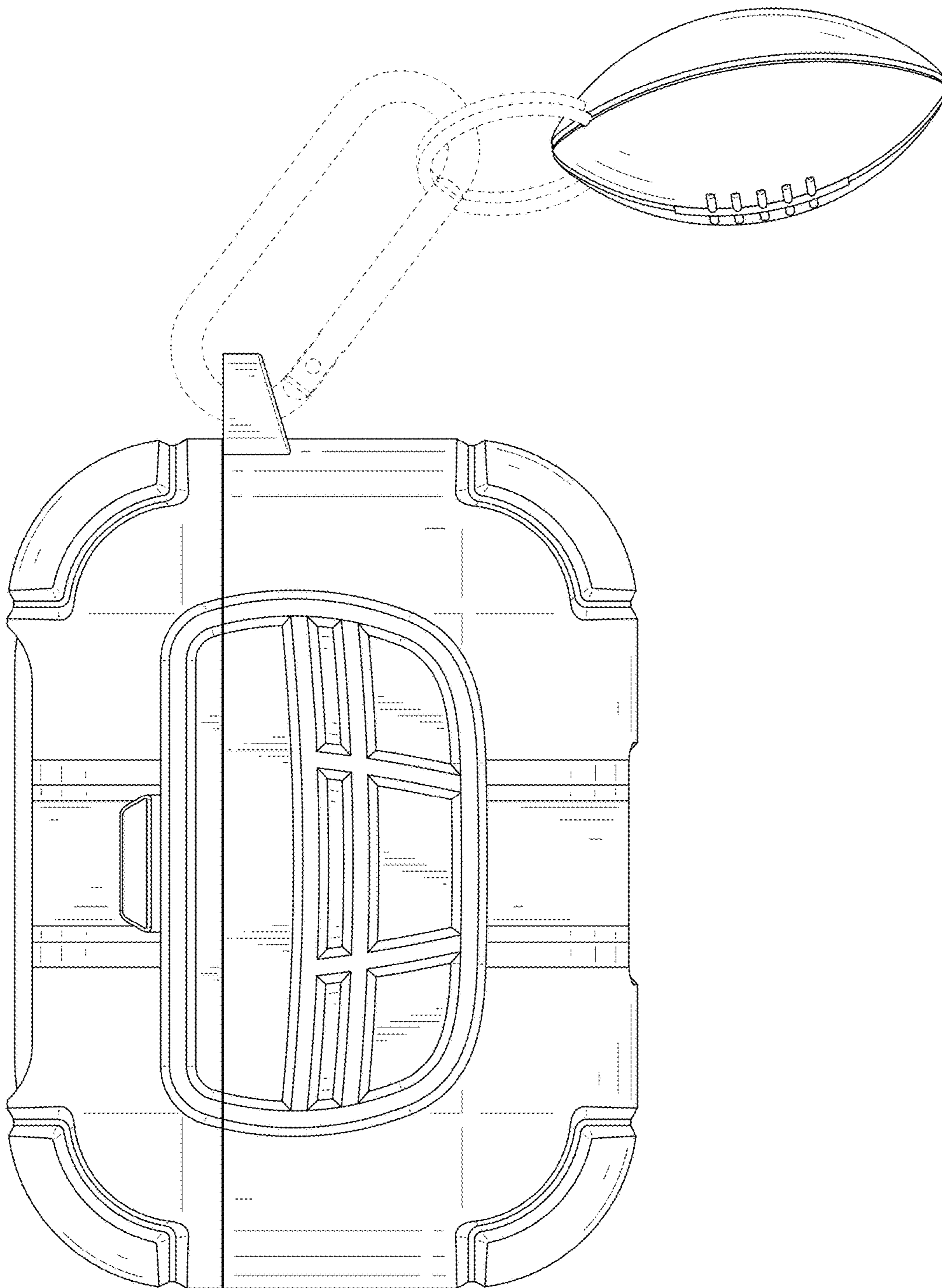


FIG. 3

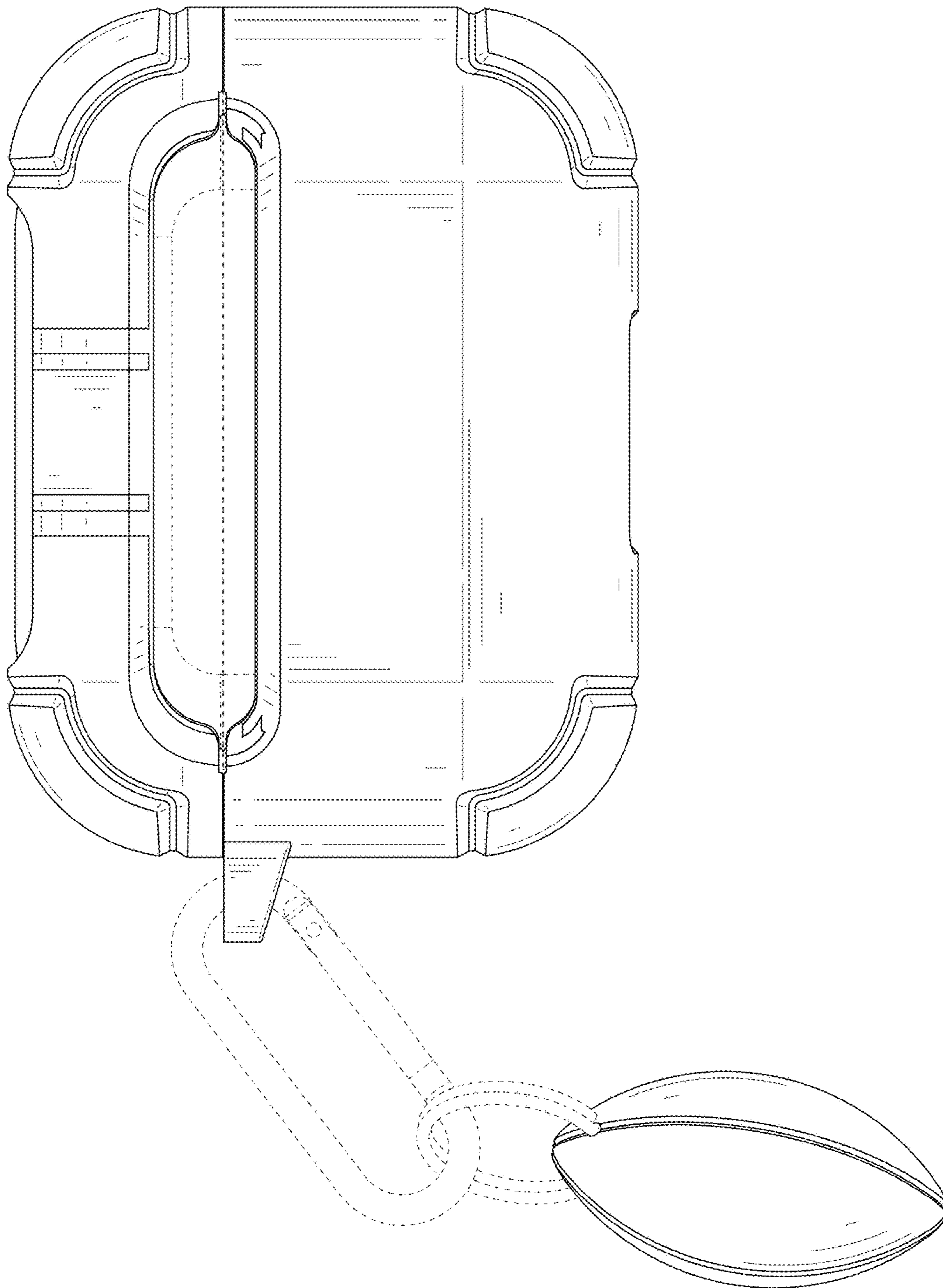


FIG. 4

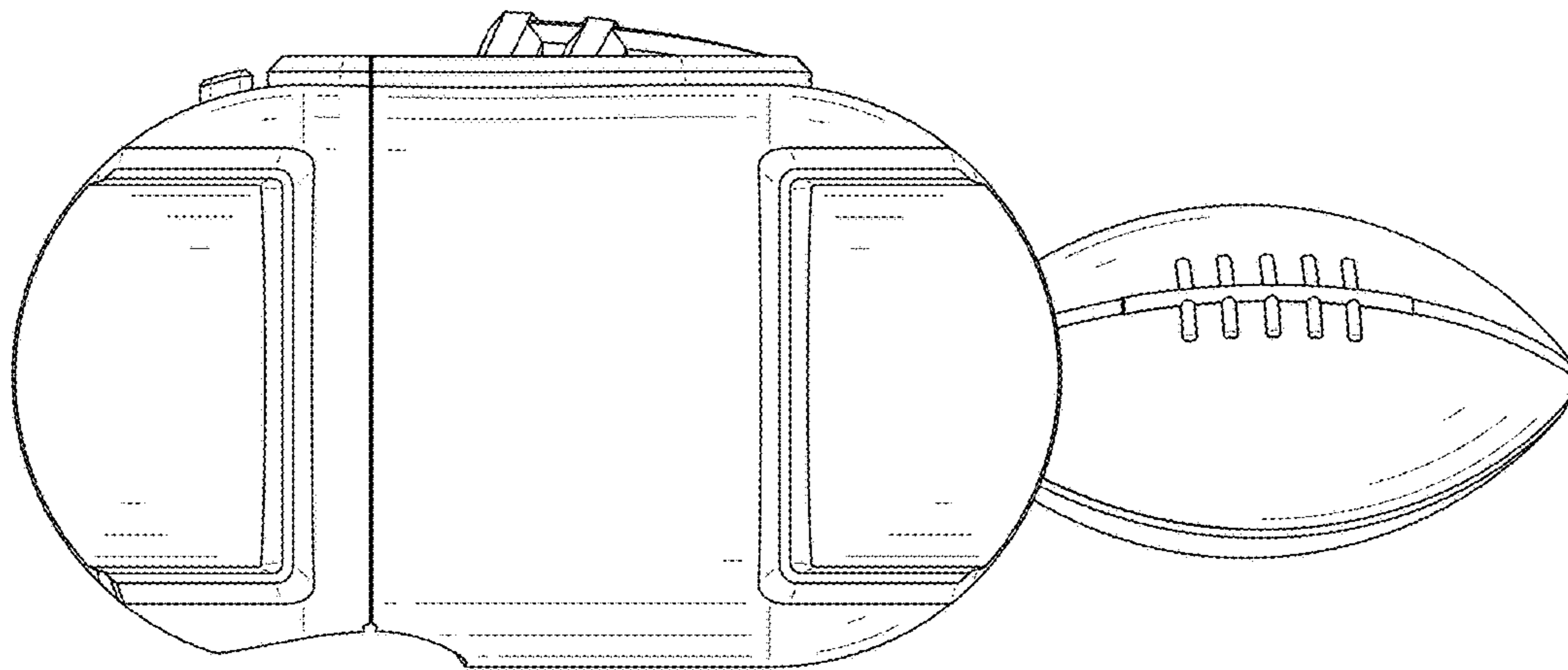


FIG. 5

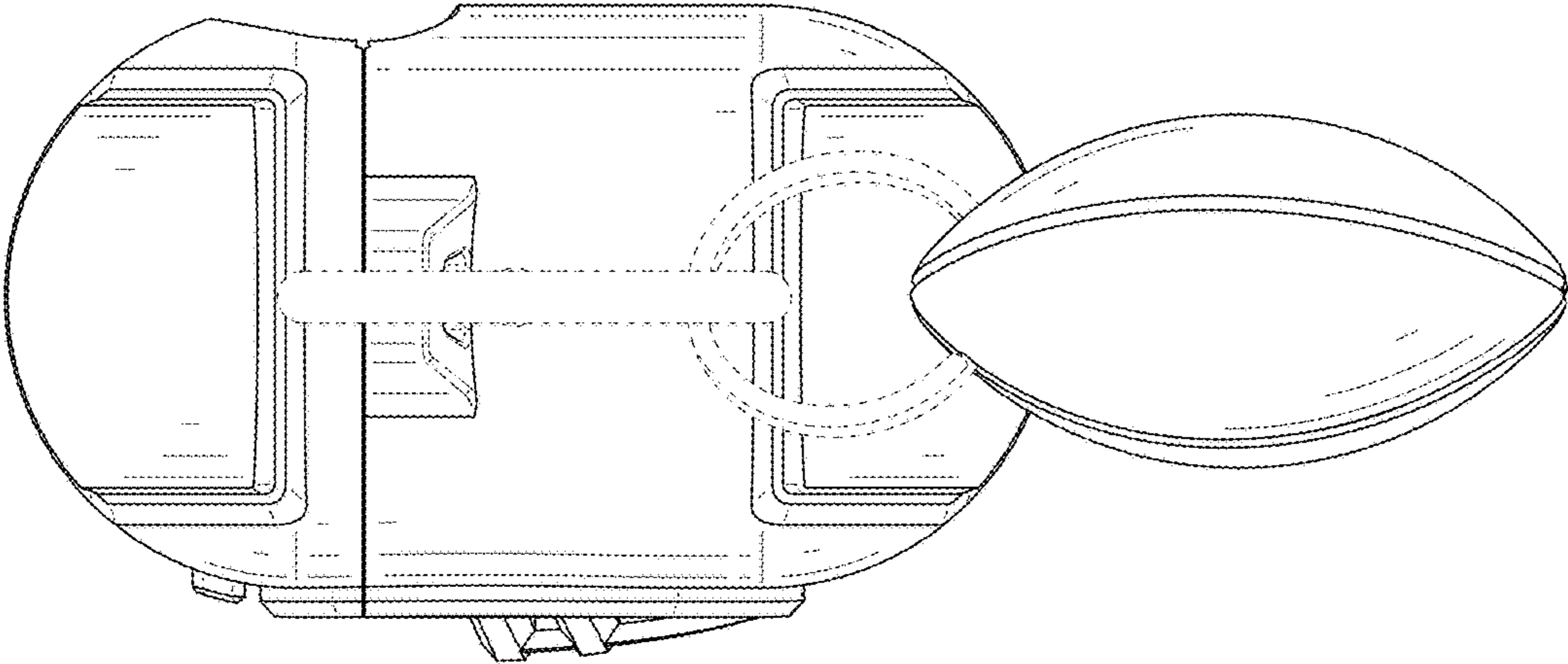


FIG. 6



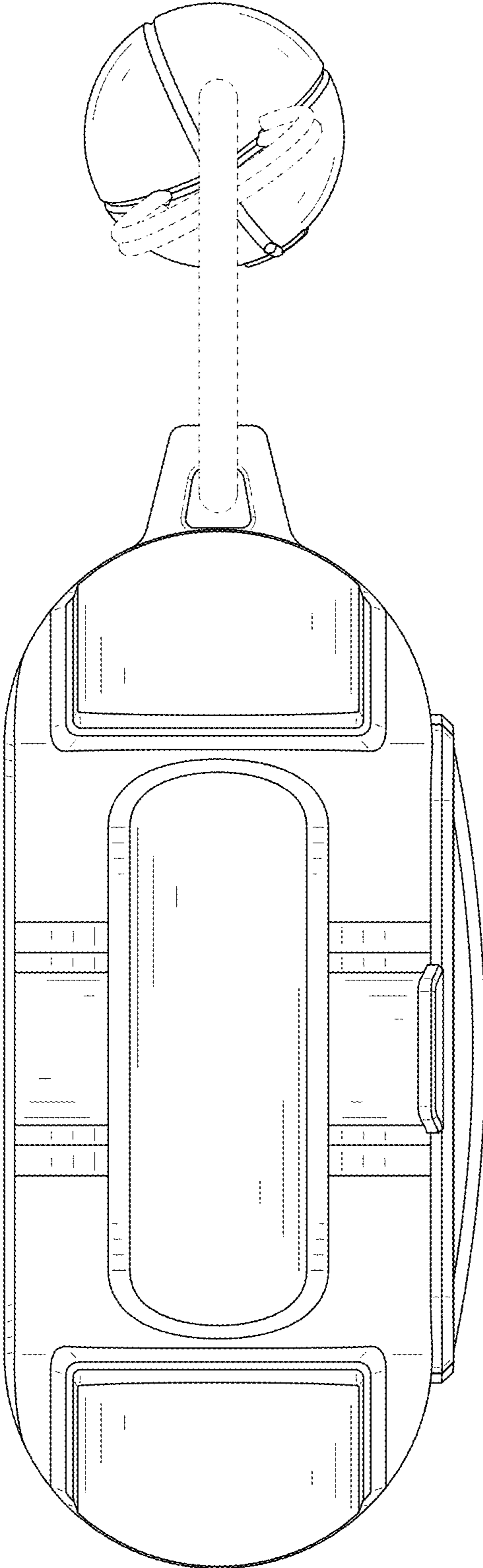


FIG. 7



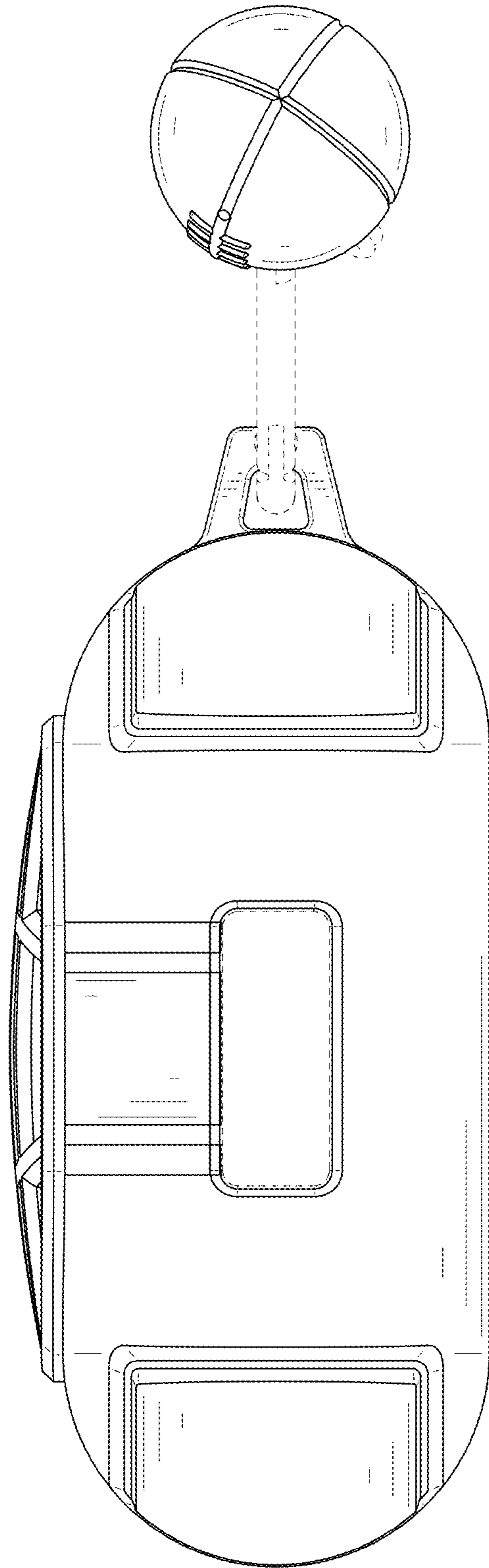


FIG. 8