



US00D907046S

(12) **United States Design Patent**  
**Kao et al.**

(10) **Patent No.:** **US D907,046 S**  
(45) **Date of Patent:** **\*\* Jan. 5, 2021**

- (54) **COMBINATION TABLET COMPUTER AND LEATHER COVER**
- (71) Applicants: **Hsing-Yi Kao**, Taipei (TW);  
**Ming-Chung Liu**, Taipei (TW);  
**Yu-Hsin Chen**, Taipei (TW)
- (72) Inventors: **Hsing-Yi Kao**, Taipei (TW);  
**Ming-Chung Liu**, Taipei (TW);  
**Yu-Hsin Chen**, Taipei (TW)
- (73) Assignee: **COMPAL ELECTRONICS, INC.**,  
Taipei (TW)
- (\*\*) Term: **15 Years**
- (21) Appl. No.: **29/694,425**
- (22) Filed: **Jun. 11, 2019**
- (51) **LOC (13) Cl.** ..... **14-02**
- (52) **U.S. Cl.**  
USPC ..... **D14/440**
- (58) **Field of Classification Search**  
USPC ..... D14/440, 447, 250; 206/45.23, 320,  
206/45.2; 361/679.55; 294/25; 224/218;  
455/575.8

(Continued)

(56) **References Cited**

U.S. PATENT DOCUMENTS

- 7,828,260 B2 \* 11/2010 Hauser ..... A47B 23/043  
248/456
- D704,689 S \* 5/2014 Chang ..... D14/250

(Continued)

*Primary Examiner* — Cynthia R Underwood  
(74) *Attorney, Agent, or Firm* — JCIPRNET

(57) **CLAIM**

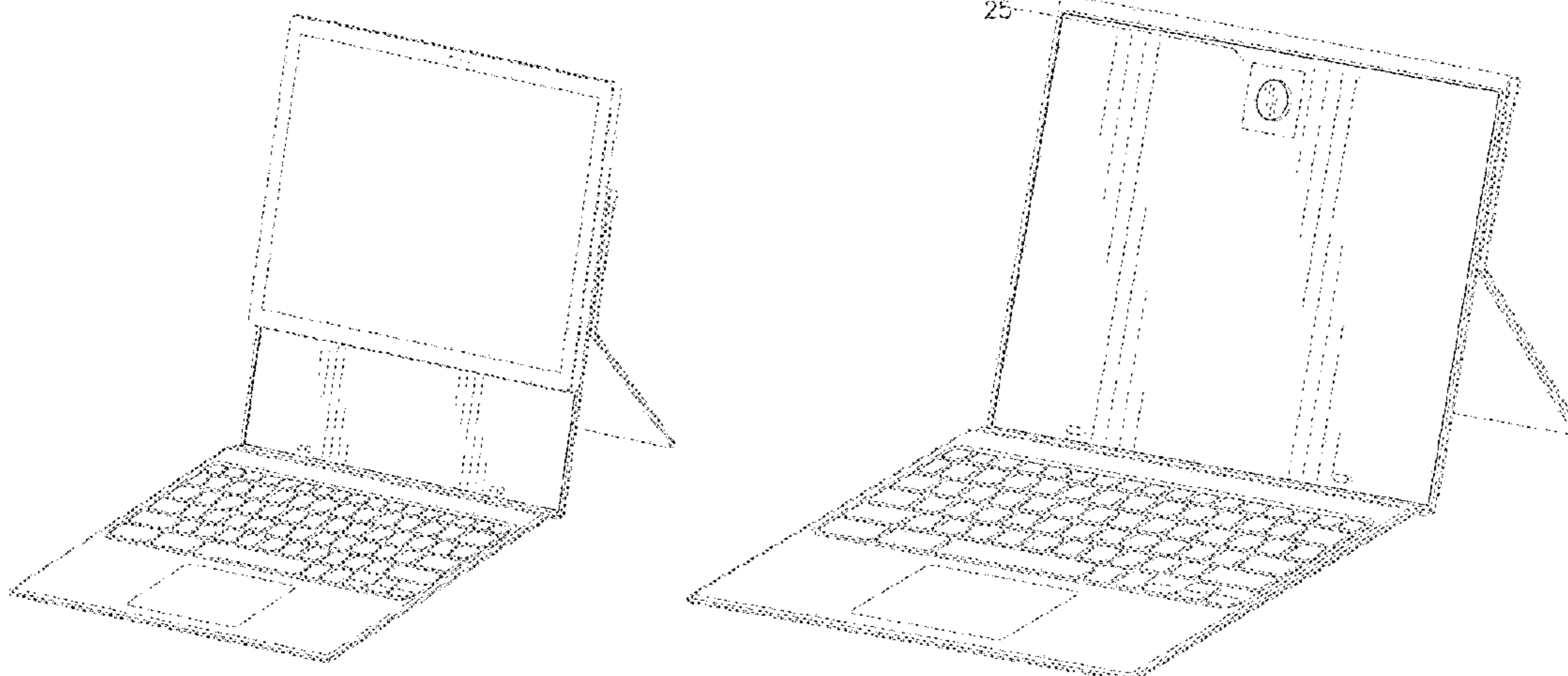
The ornamental design for a combination tablet computer and leather cover, as shown and described.

**DESCRIPTION**

FIG. 1 is a perspective view of a combination tablet computer and leather cover showing our new design;

FIG. 2 is another perspective view thereof, as shown in FIG. 1;  
 FIG. 3 is a front view thereof, as shown in FIG. 1;  
 FIG. 4 is a rear view thereof, as shown in FIG. 1;  
 FIG. 5 is a left side view thereof, as shown in FIG. 1;  
 FIG. 6 is a right side view thereof, as shown in FIG. 1;  
 FIG. 7 is a top view thereof, as shown in FIG. 1;  
 FIG. 8 is a bottom view thereof, as shown in FIG. 1;  
 FIG. 9 is a perspective view of the tablet computer of the combination tablet computer and leather cover showing our new design;  
 FIG. 10 is a front view thereof, as shown in FIG. 9;  
 FIG. 11 is a rear view thereof, as shown in FIG. 9;  
 FIG. 12 is a left side view thereof, as shown in FIG. 9;  
 FIG. 13 is a right side view thereof, as shown in FIG. 9;  
 FIG. 14 is a top view thereof, as shown in FIG. 9;  
 FIG. 15 is a bottom view thereof, as shown in FIG. 9;  
 FIG. 16 is an enlarged view of the portion, labeled '16' of FIG. 9;  
 FIG. 17 is an enlarged view of the portion, labeled '17' of FIG. 12;  
 FIG. 18 is a perspective view of the leather cover of the combination tablet computer and leather cover showing our new design;  
 FIG. 19 is a front view thereof, as shown in FIG. 18;  
 FIG. 20 is a rear view thereof, as shown in FIG. 18;  
 FIG. 21 is a left side view thereof, as shown in FIG. 18;  
 FIG. 22 is a right side view thereof, as shown in FIG. 18;  
 FIG. 23 is a top view thereof, as shown in FIG. 18;  
 FIG. 24 is a bottom view thereof, as shown in FIG. 18;  
 FIG. 25 is an enlarged view of the portion, labeled '25' of FIG. 18;  
 FIG. 26 is an enlarged view of the portion, labeled '26' of FIG. 21;  
 FIG. 27 is an enlarged view of the portion, labeled '27' of FIG. 21;  
 FIG. 28 is a perspective view of the combination tablet computer and leather cover in a state of use with the tablet computer placed on the leather cover;  
 FIG. 29 is another perspective view thereof, as shown in FIG. 28;  
 FIG. 30 is a perspective view of the combination tablet computer and leather cover in a state of use with the tablet computer turned vertically on the leather cover; and,  
 FIG. 31 is another perspective view thereof, as shown in FIG. 30.

(Continued)



The dashed broken lines illustrate portions of the combination tablet computer and leather cover and form no part of the claimed design. The dot-dash broken lines define the bounds of the claimed design and form no part thereof.

**1 Claim, 25 Drawing Sheets**

**(58) Field of Classification Search**

CPC ... G06F 1/1628; G06F 1/1626; A47B 23/044;  
H04B 1/3888; A45C 11/00

See application file for complete search history.

**(56) References Cited**

U.S. PATENT DOCUMENTS

8,887,902	B1 *	11/2014	Liu	.....	G06F 1/1626 206/45.23
D744,492	S *	12/2015	Lin	.....	G06F 1/1632 D14/440
D761,798	S *	7/2016	Lee	.....	D14/440
D772,880	S *	11/2016	Corcoran	.....	D14/440
D810,067	S *	2/2018	Lee	.....	D14/250
D823,228	S *	7/2018	Garrett	.....	D12/409
D824,914	S *	8/2018	Okuley	.....	D14/447
D851,405	S *	6/2019	Smith	.....	D3/318
D858,504	S *	9/2019	Gellner	.....	D14/250
D893,498	S *	8/2020	Armstrong	.....	D14/440
2008/0062624	A1 *	3/2008	Regen	.....	G06F 1/166 361/679.3
2009/0179132	A1 *	7/2009	Qin	.....	F16M 11/10 248/371
2011/0297564	A1 *	12/2011	Kim	.....	G06F 1/1628 206/320

\* cited by examiner

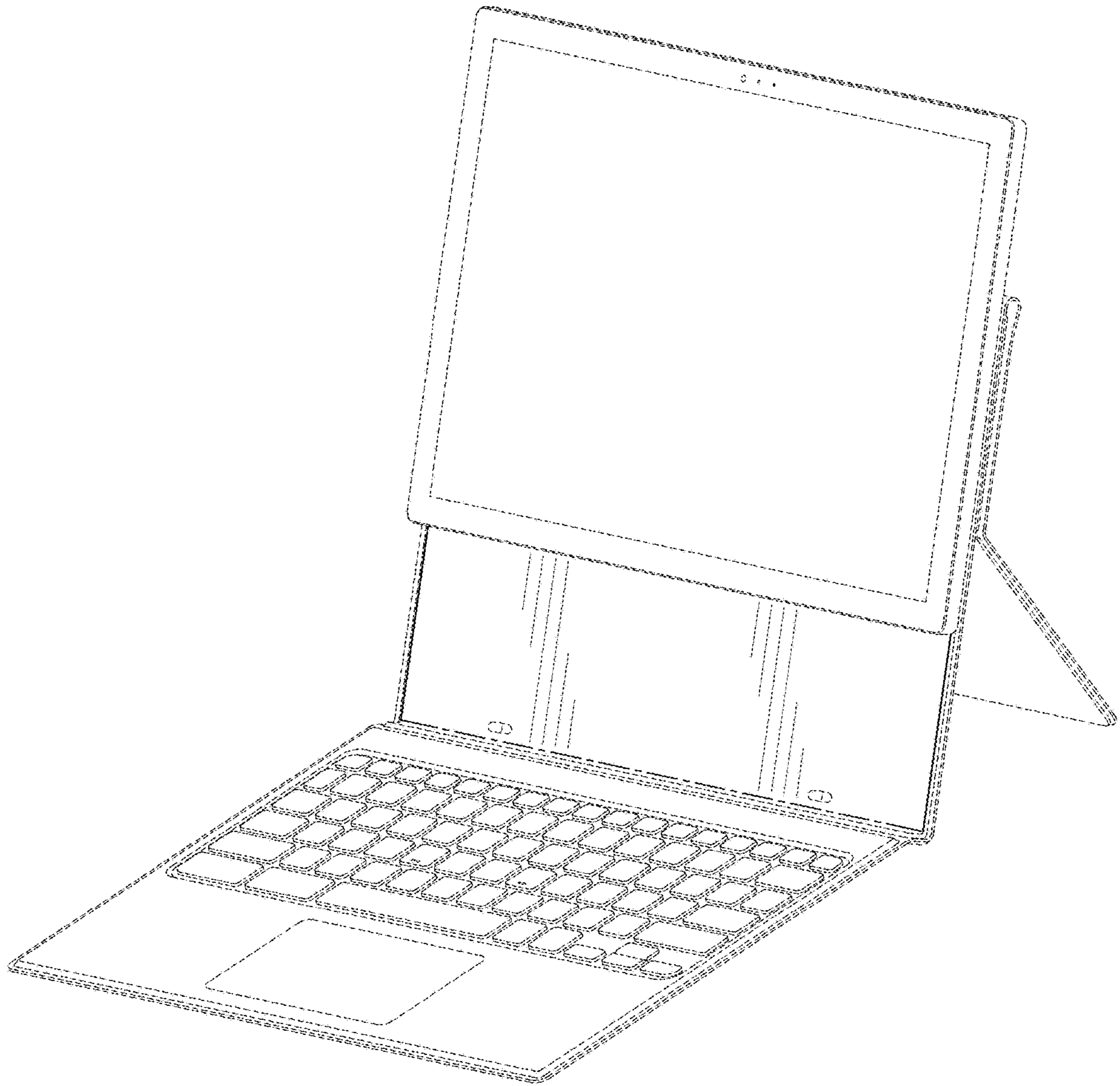


FIG. 1

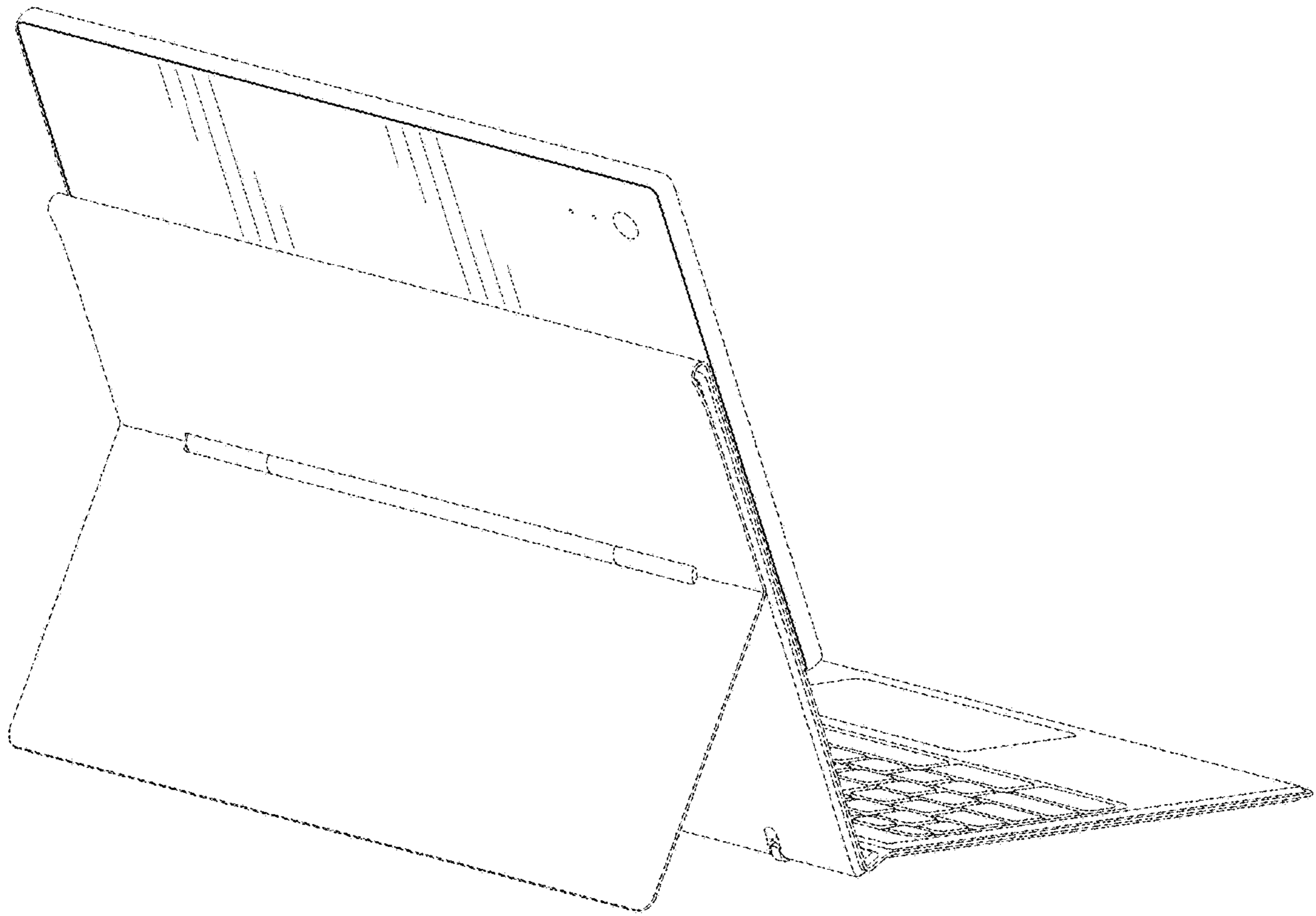


FIG. 2

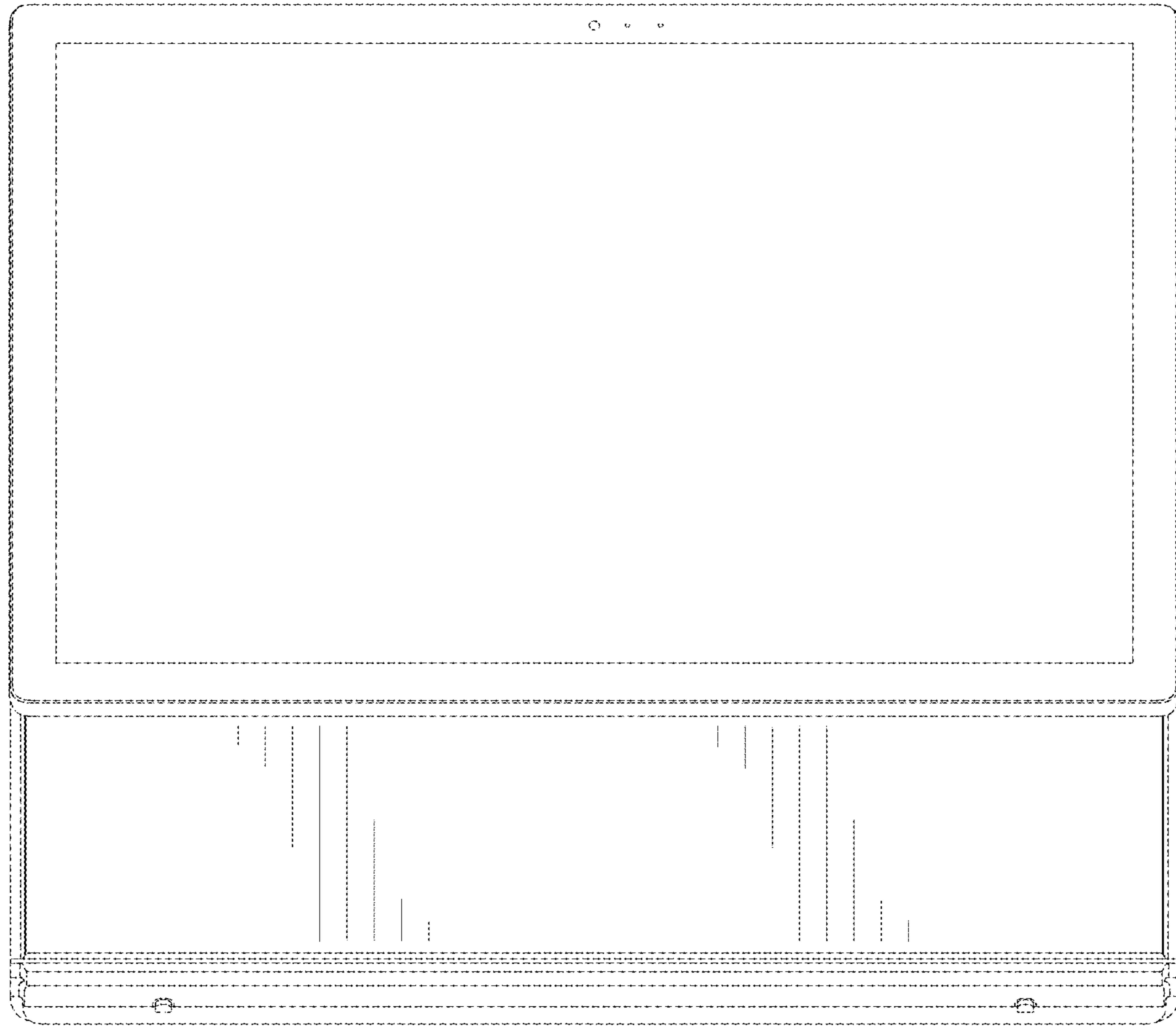


FIG. 3

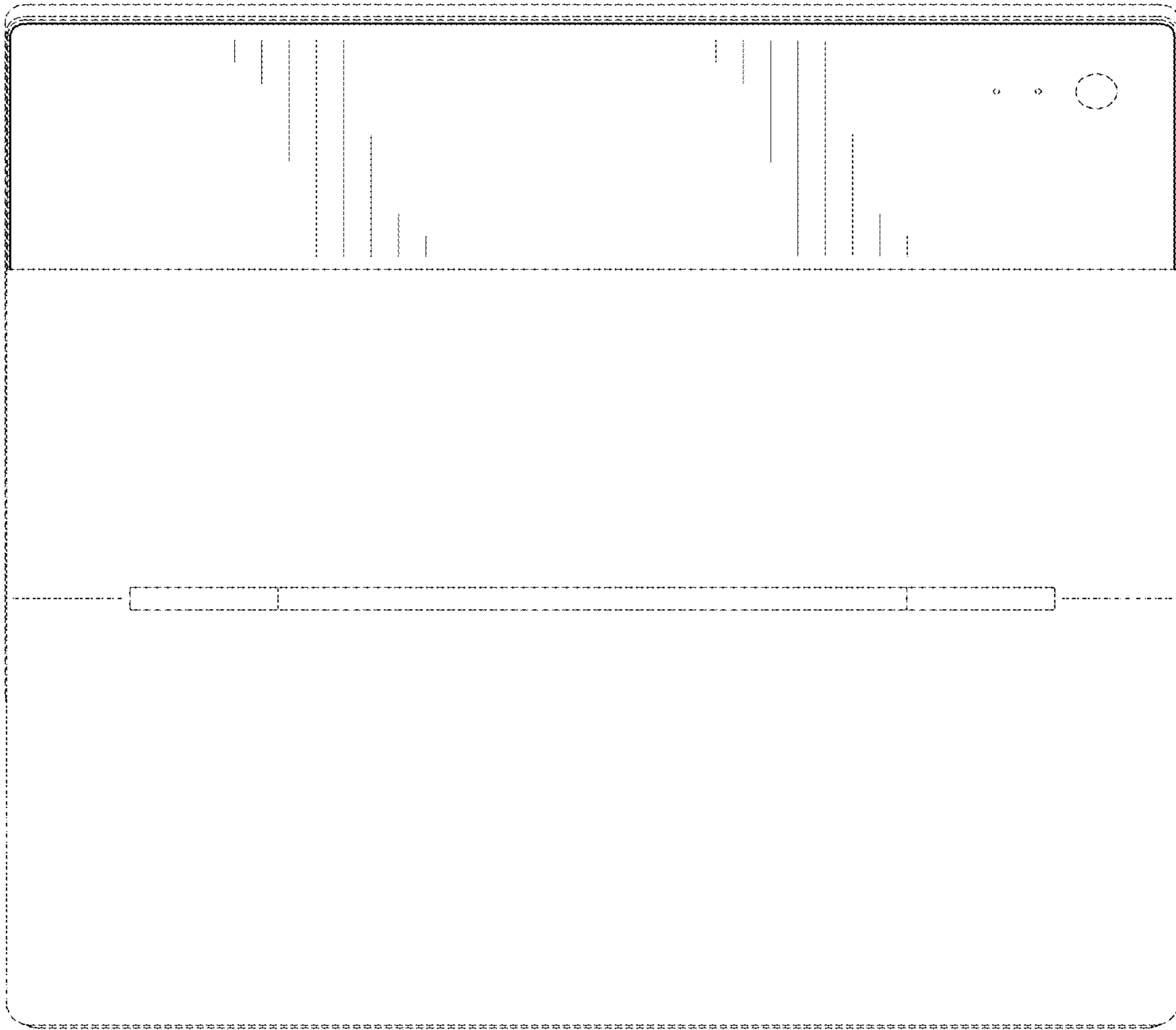


FIG. 4

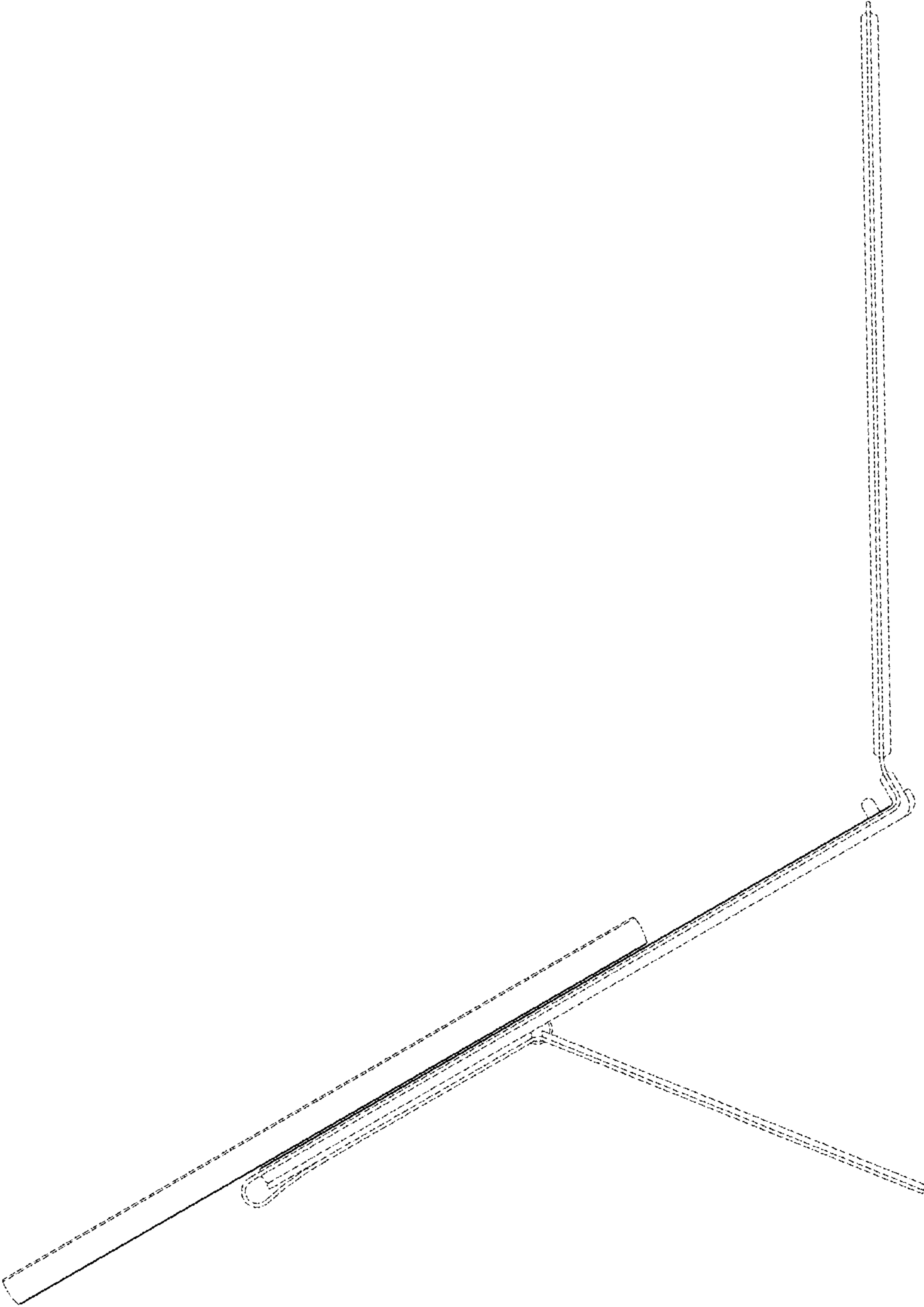


FIG. 5

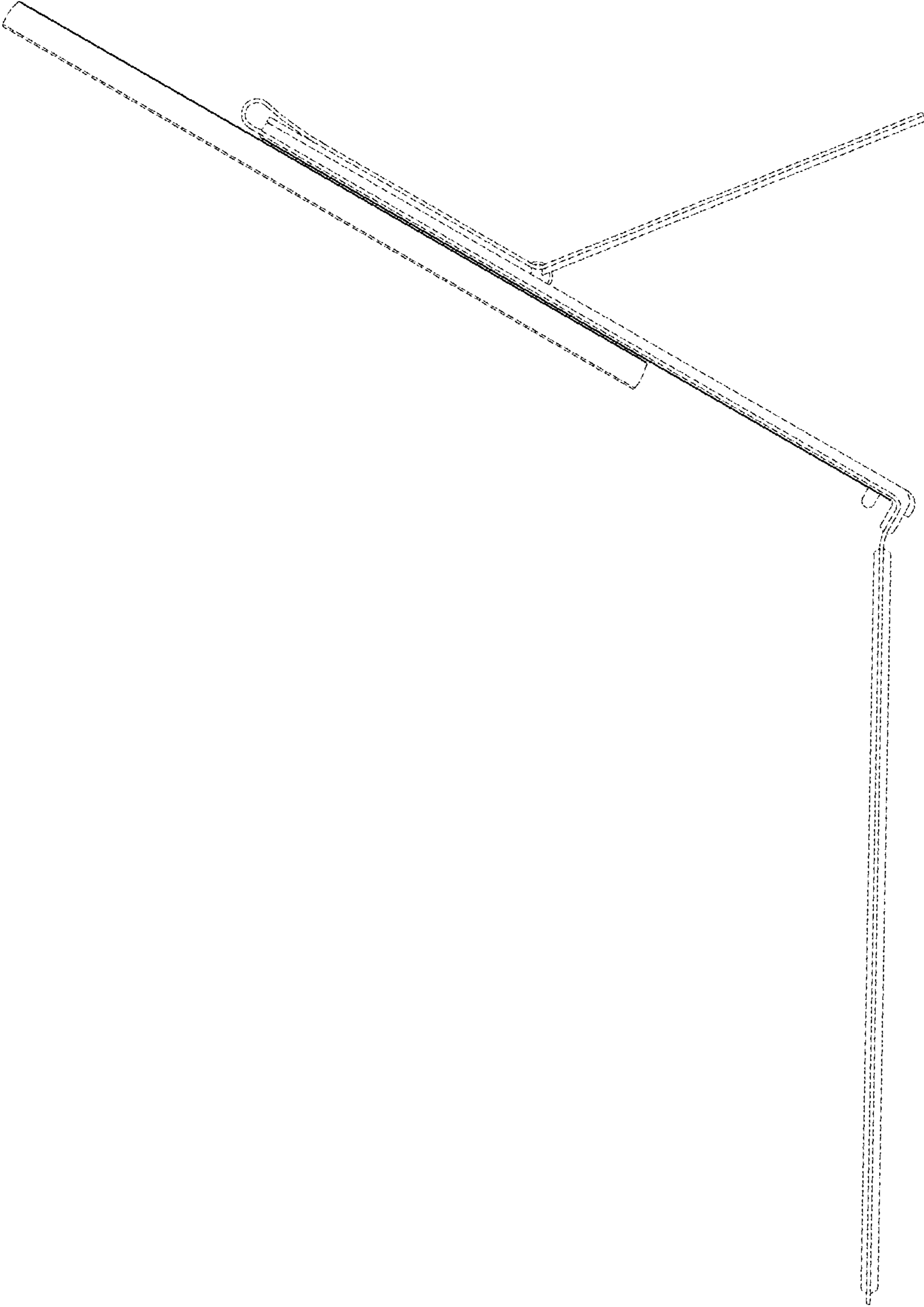


FIG. 6



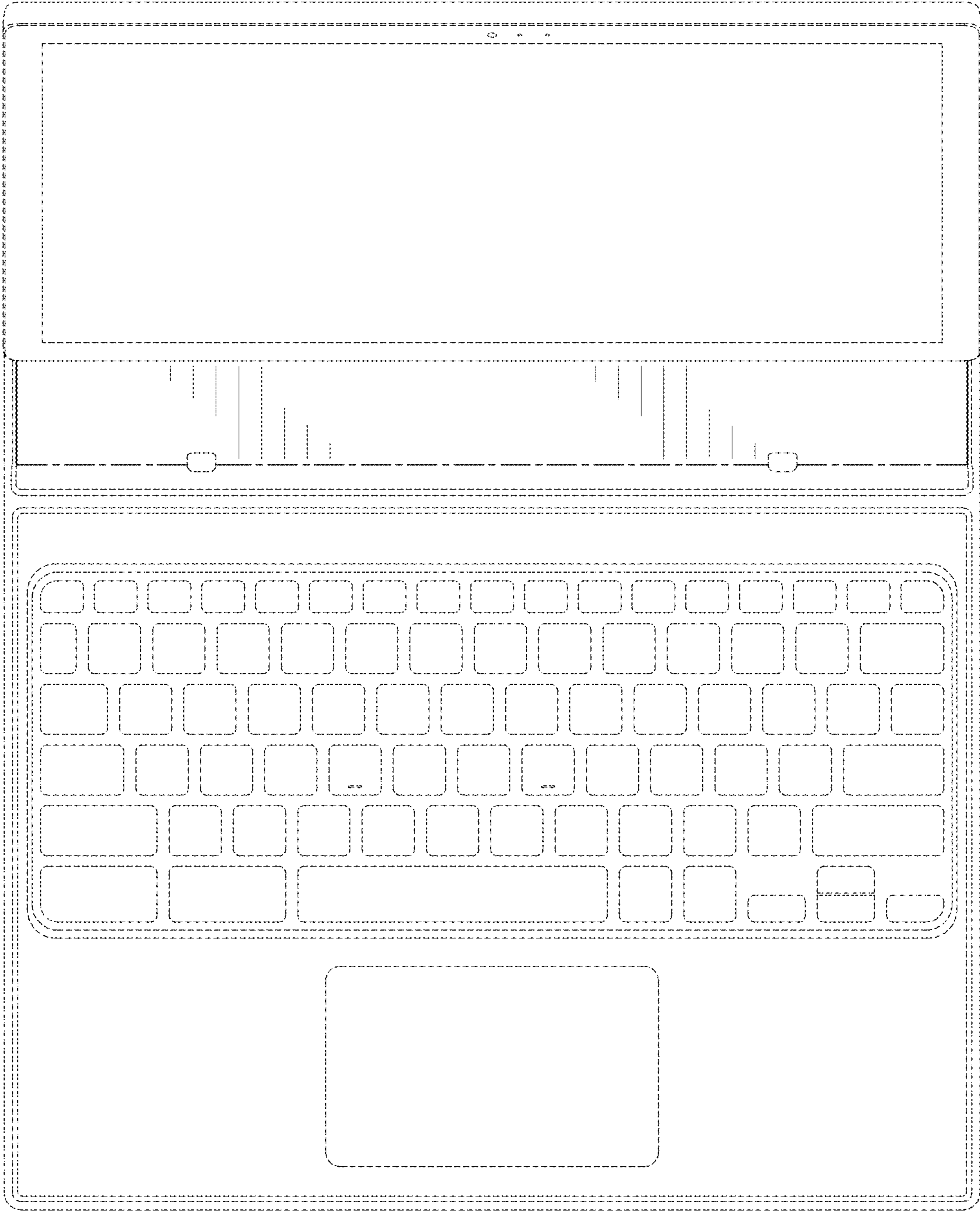


FIG. 7

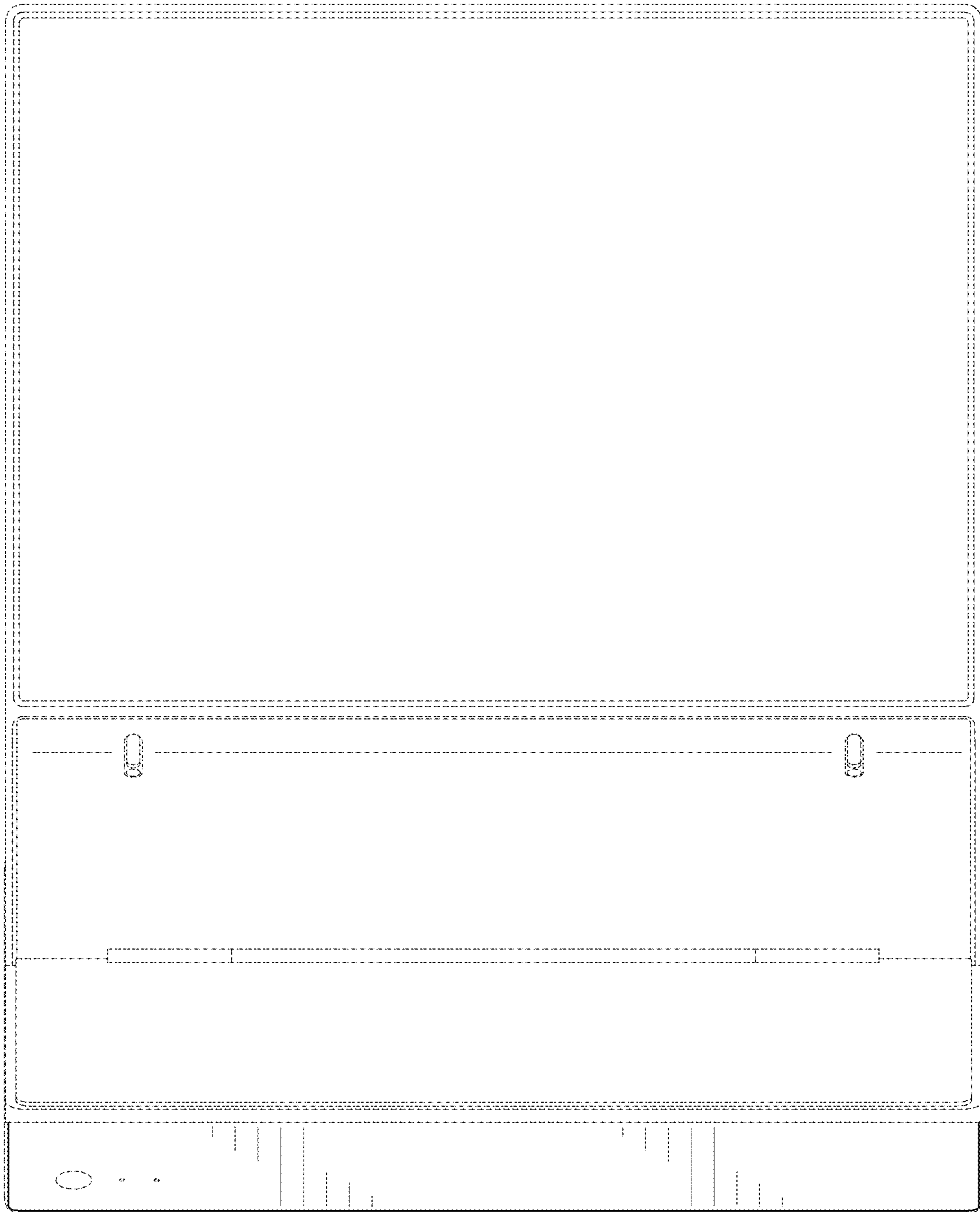


FIG. 8

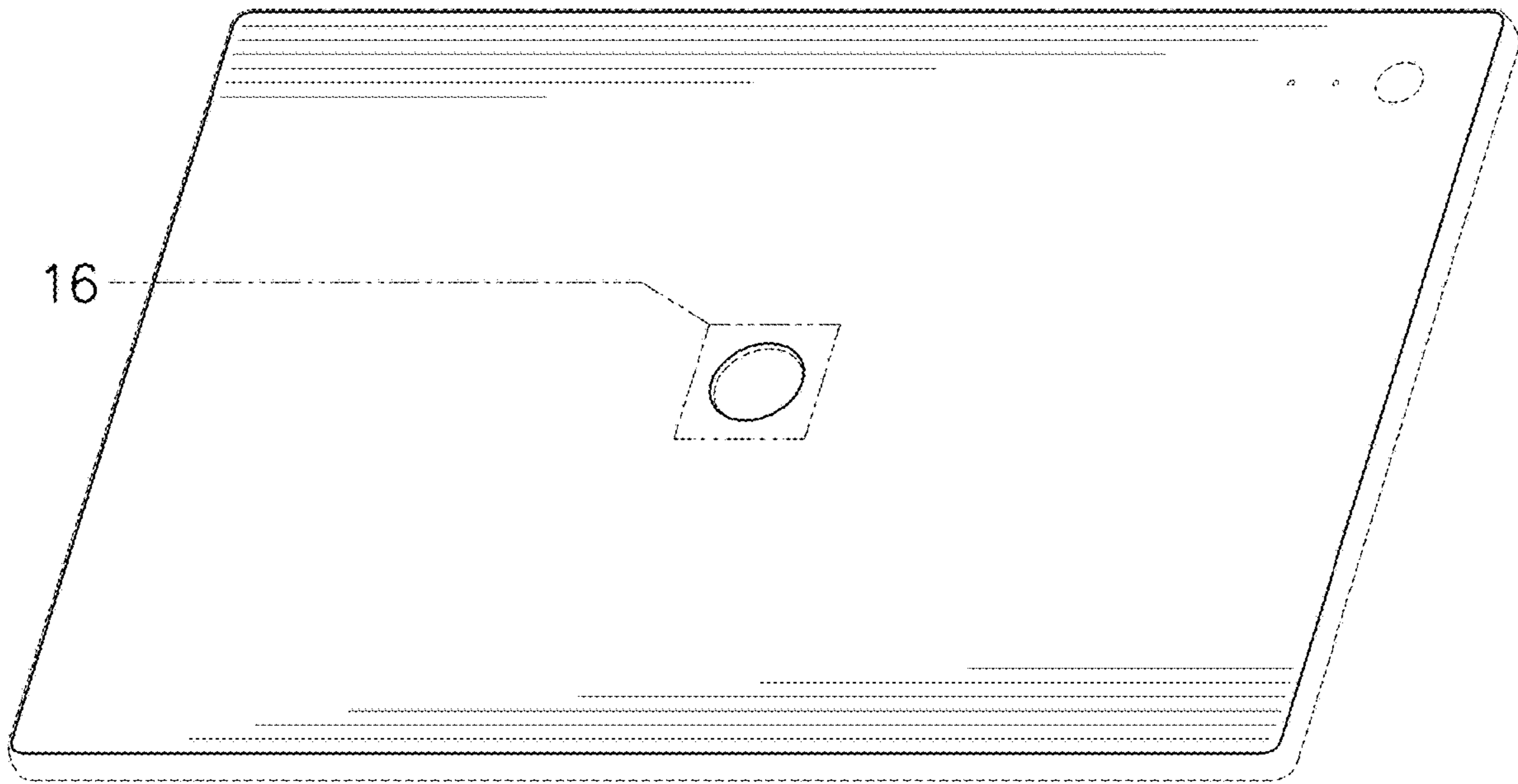


FIG. 9

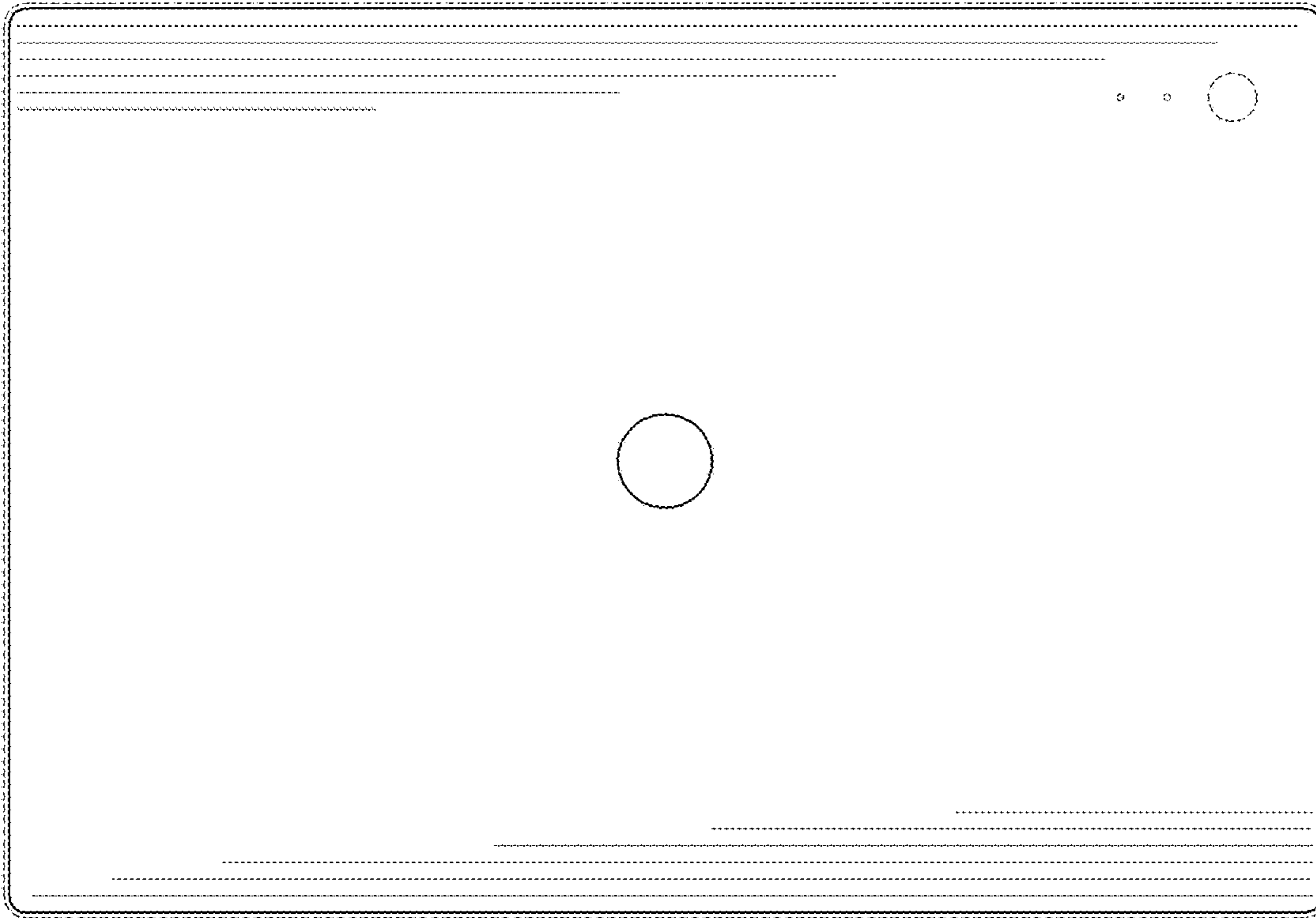


FIG. 10

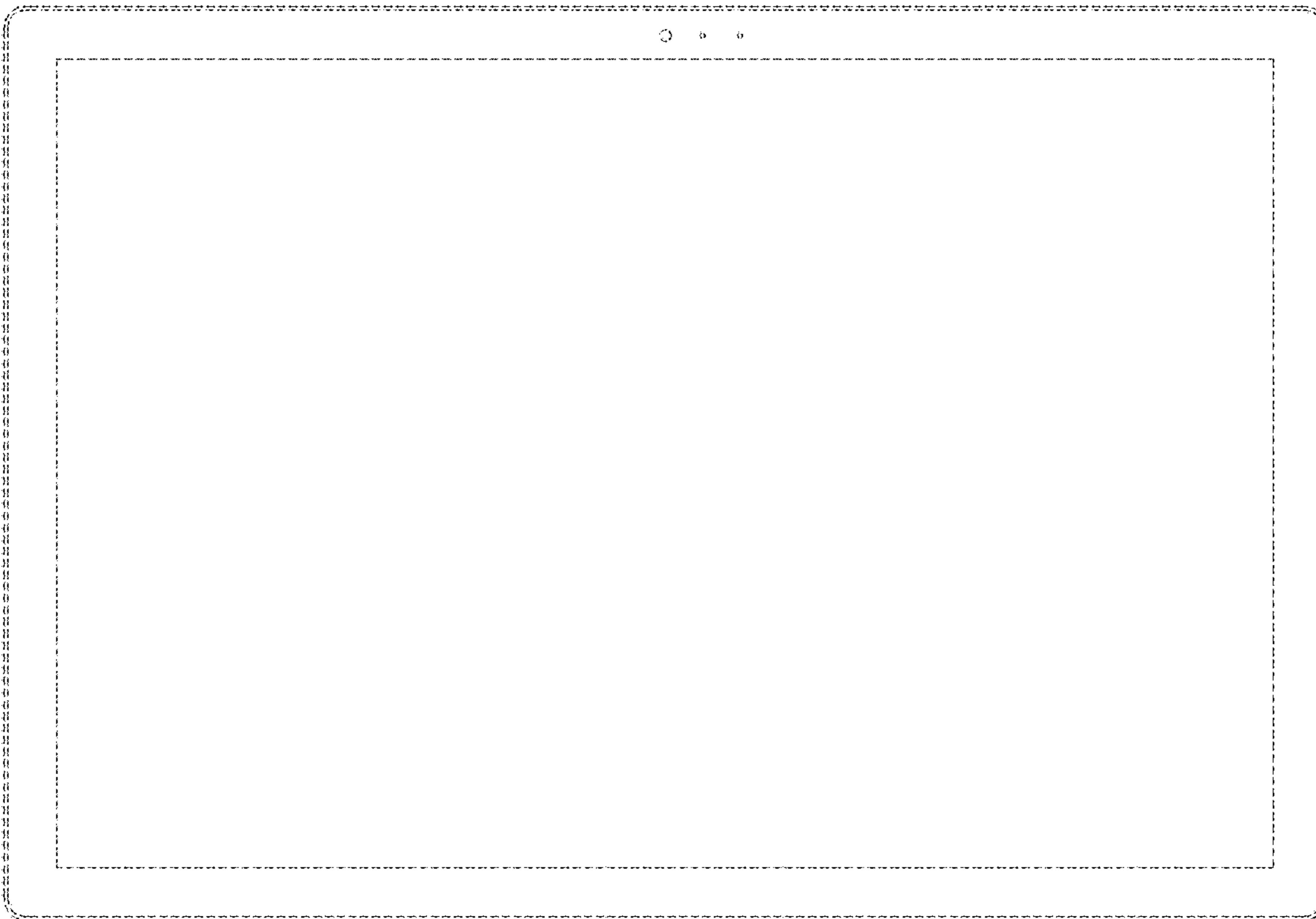


FIG. 11

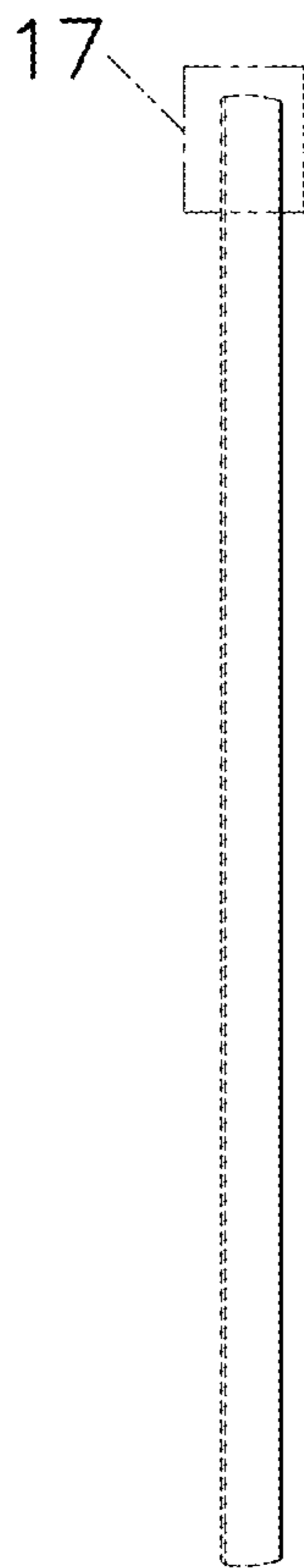


FIG. 12



FIG. 13

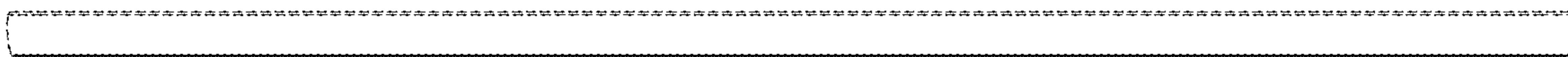


FIG. 14

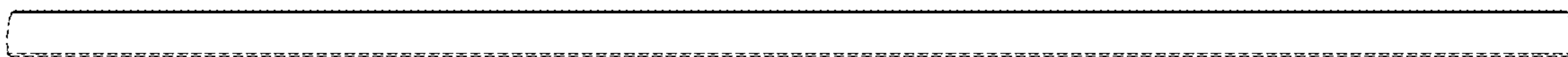


FIG. 15

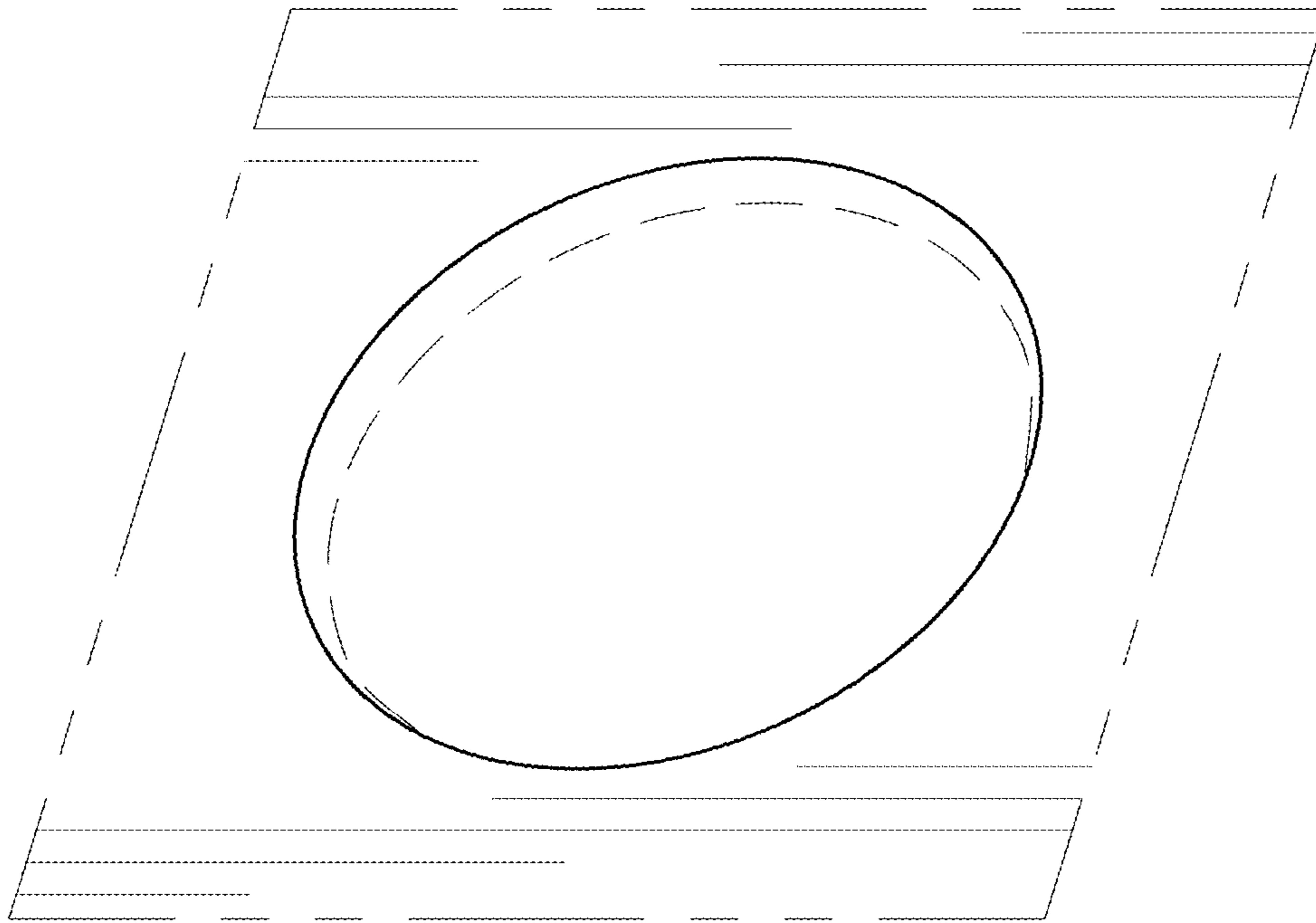


FIG. 16

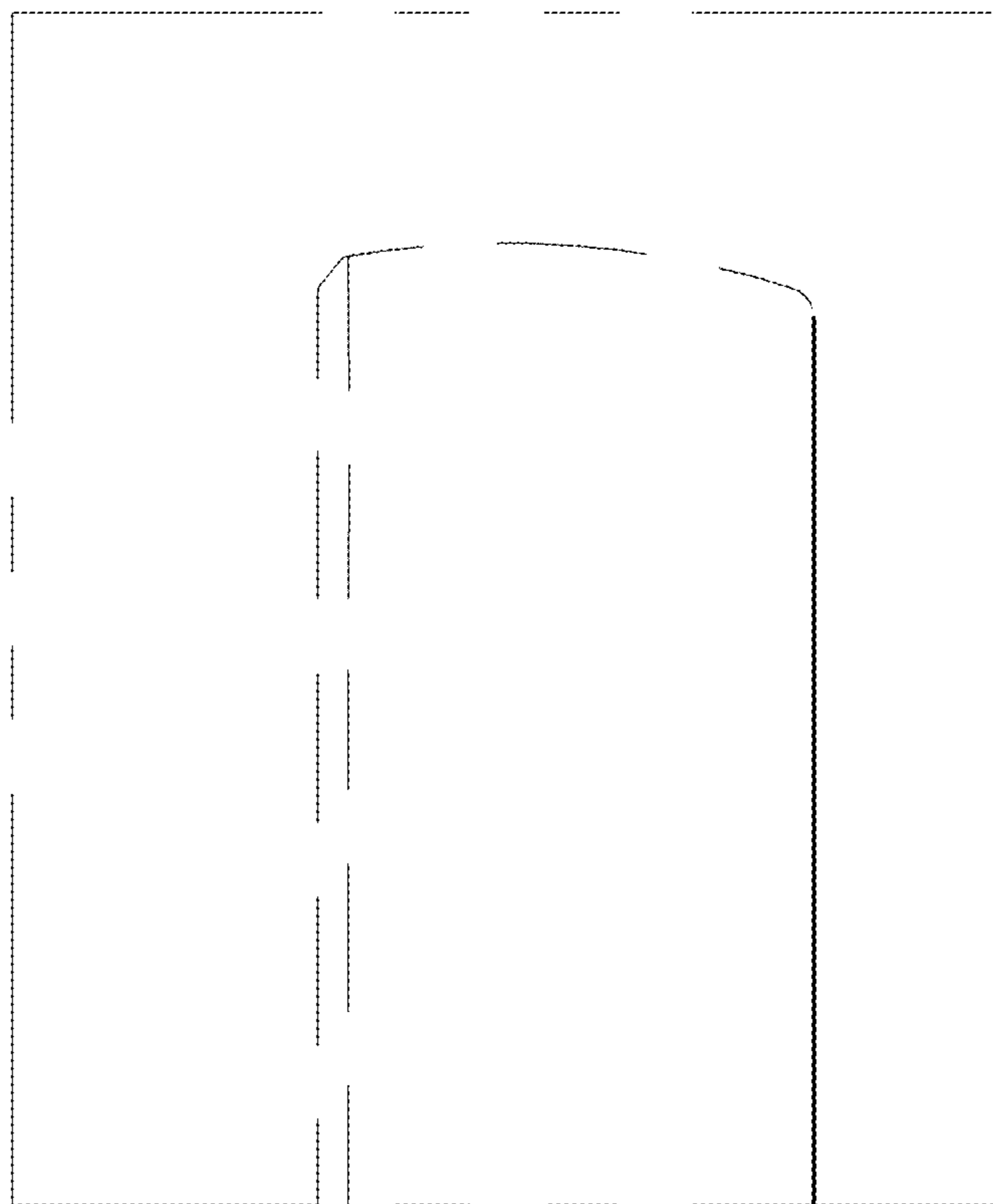


FIG. 17

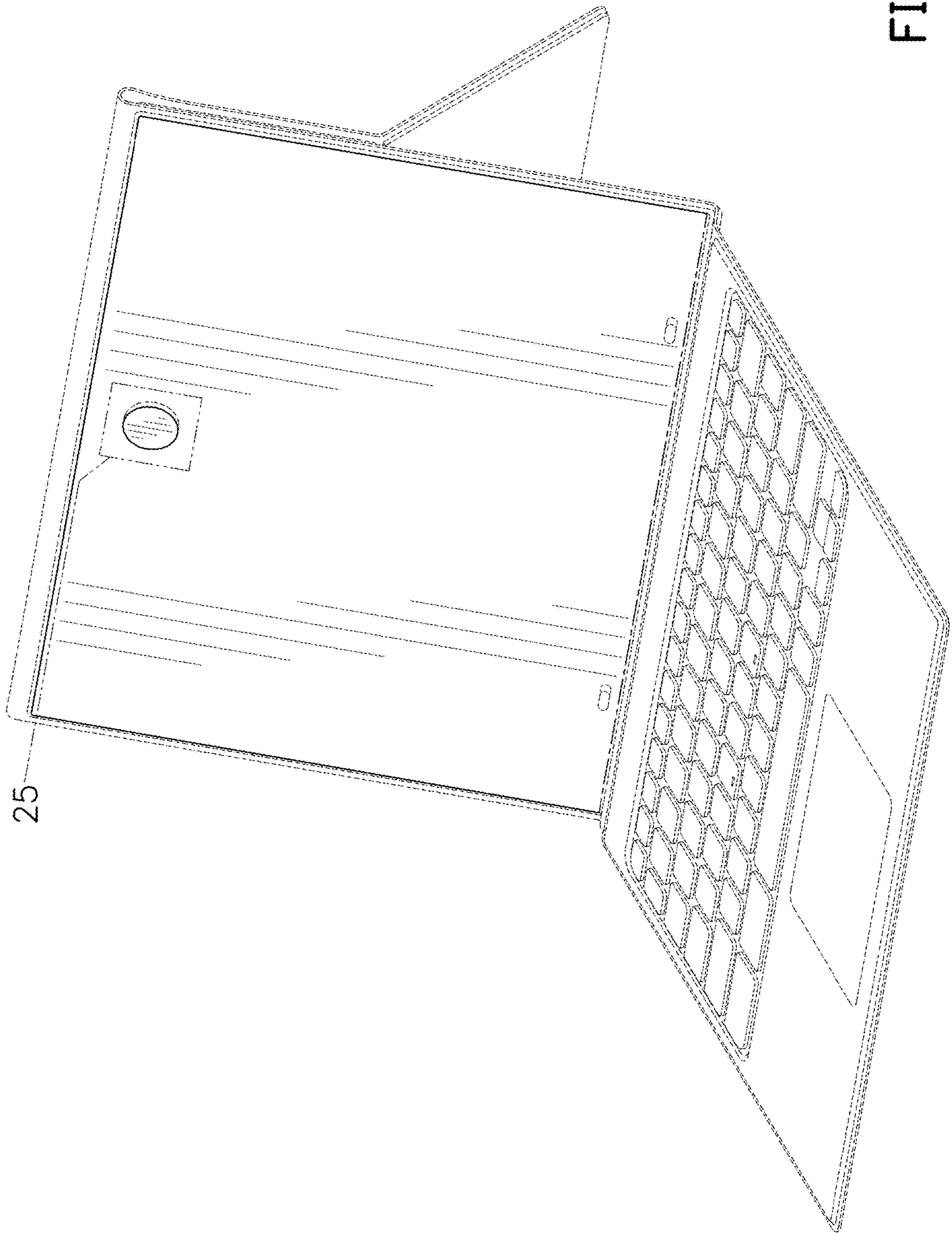


FIG. 18

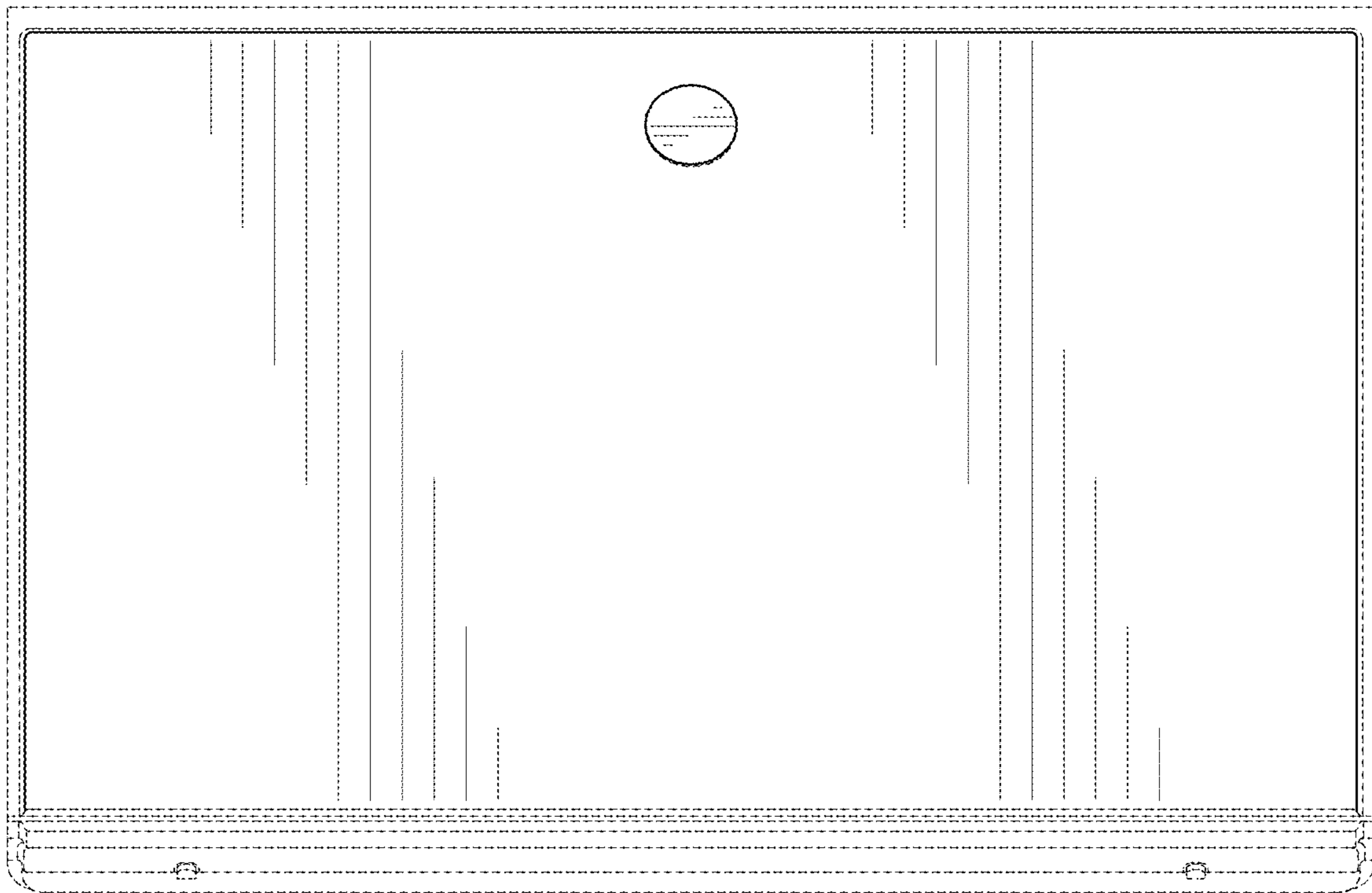


FIG. 19





FIG. 20

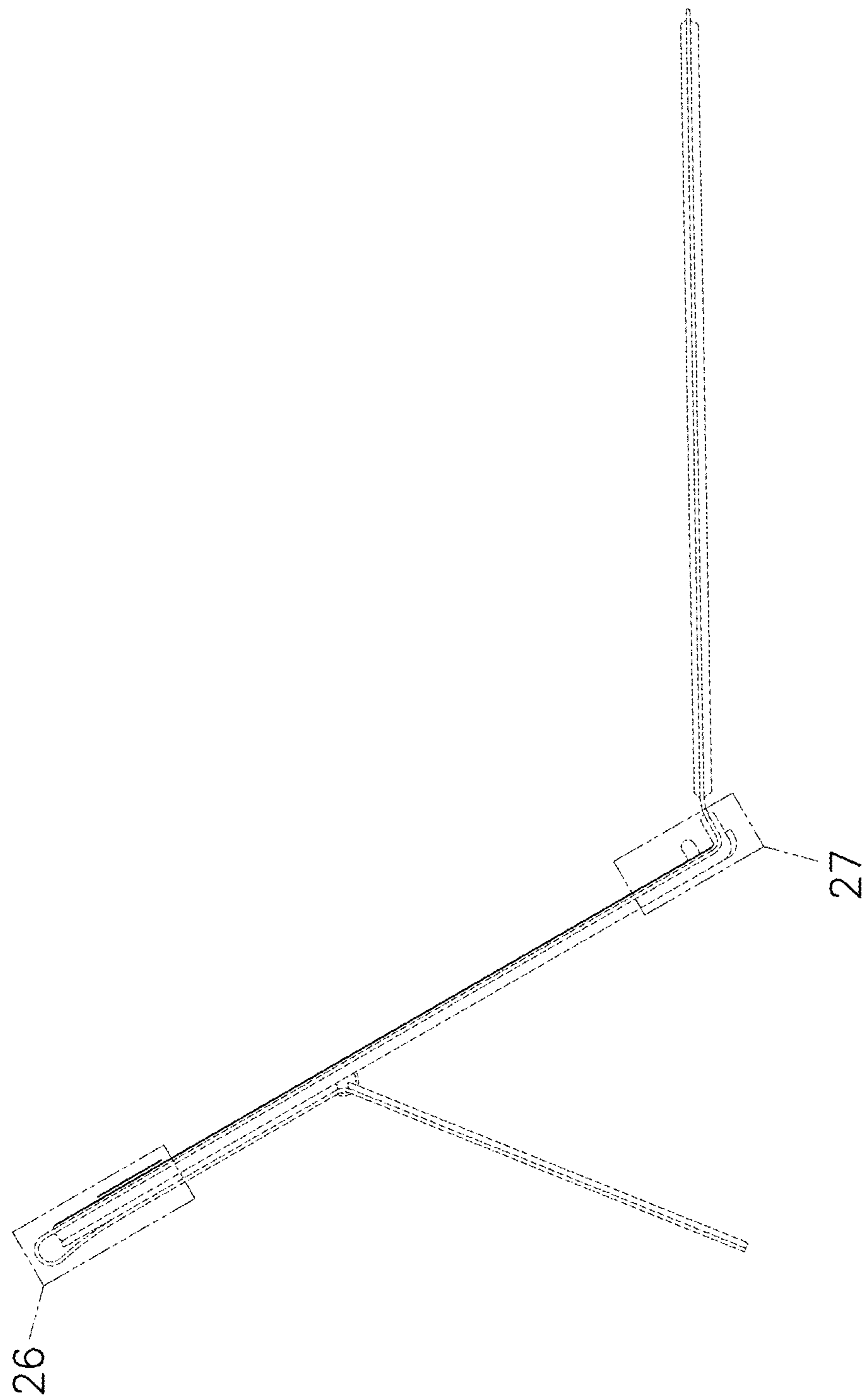


FIG. 21



FIG. 22

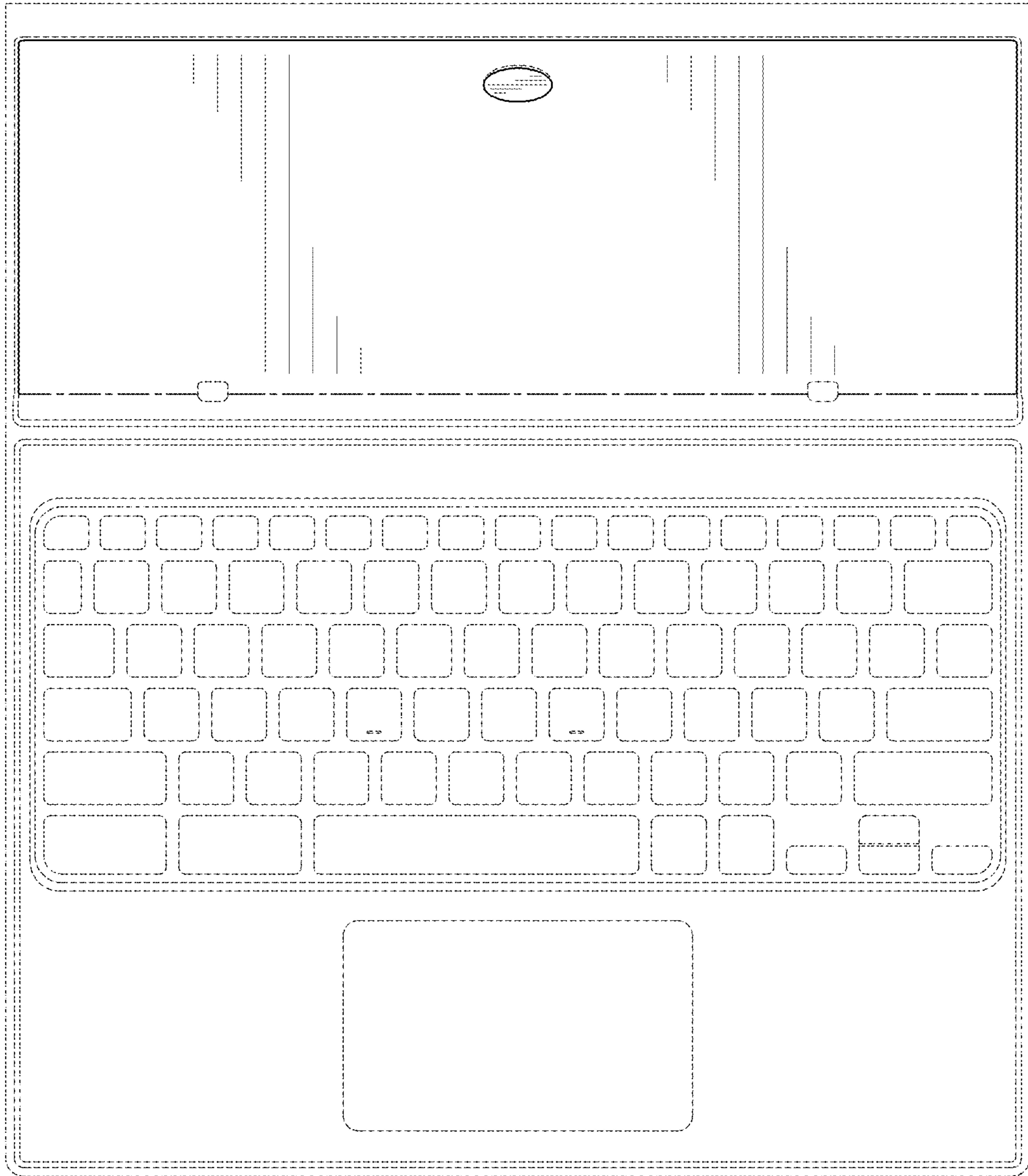


FIG. 23

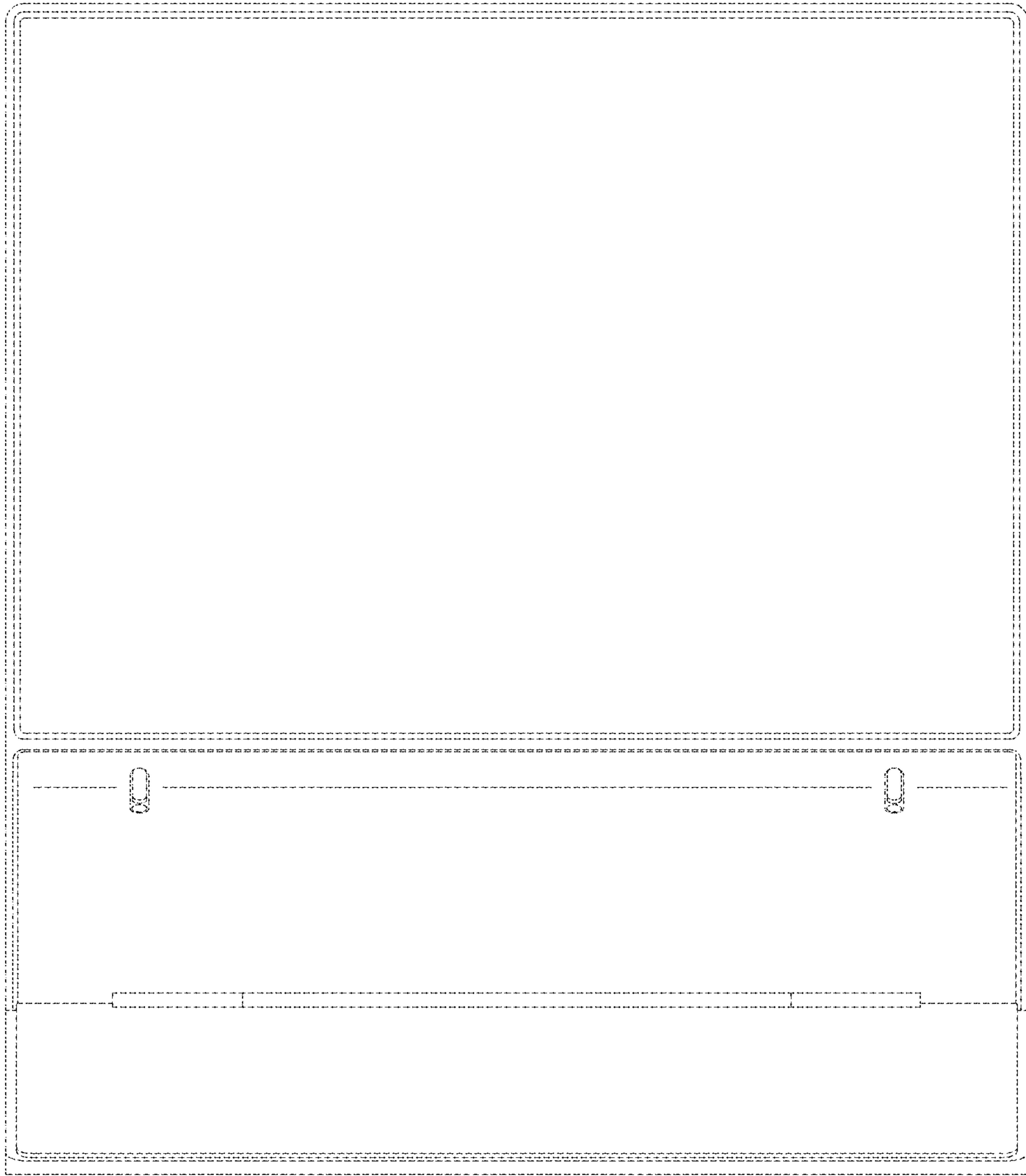


FIG. 24

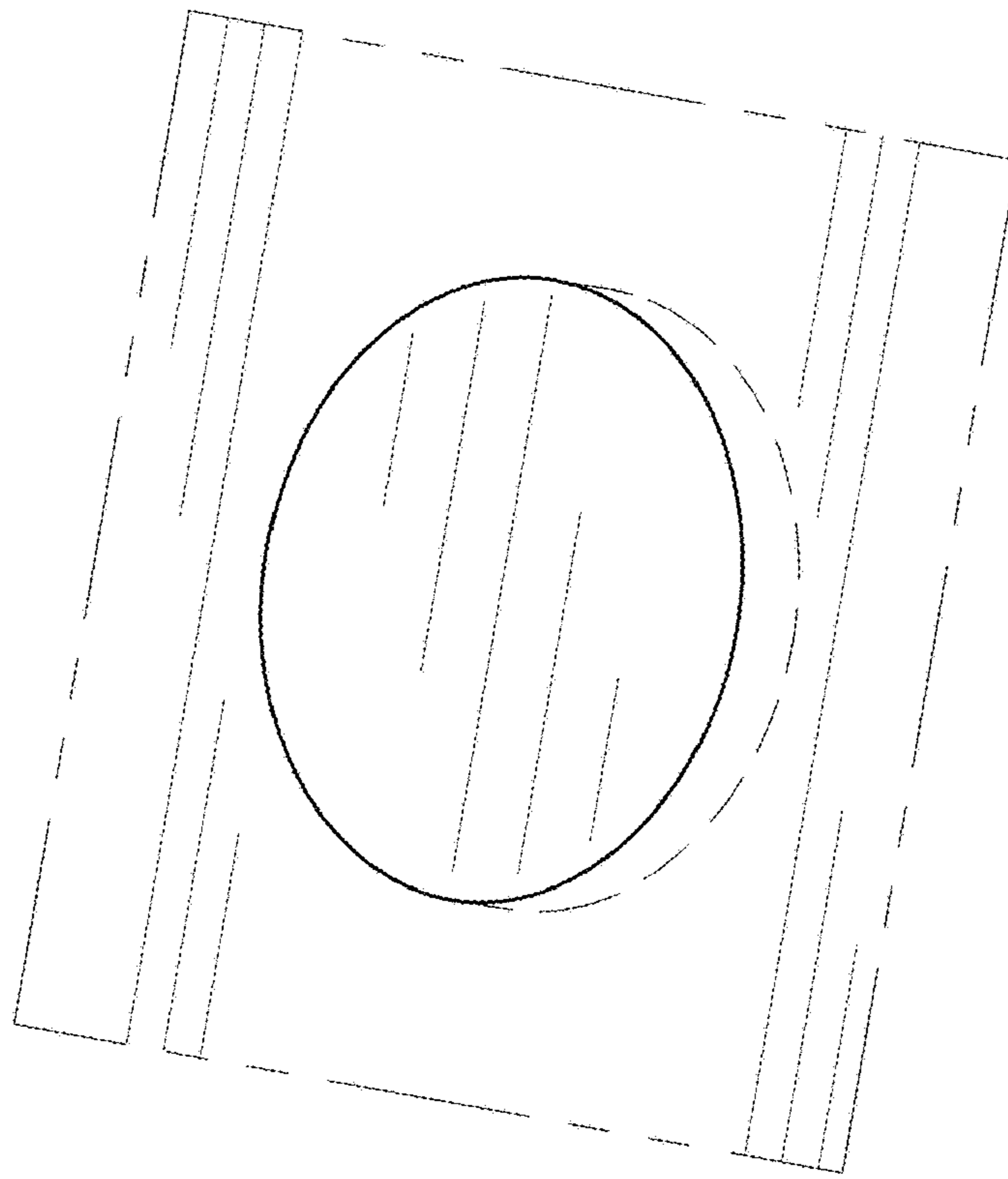


FIG. 25

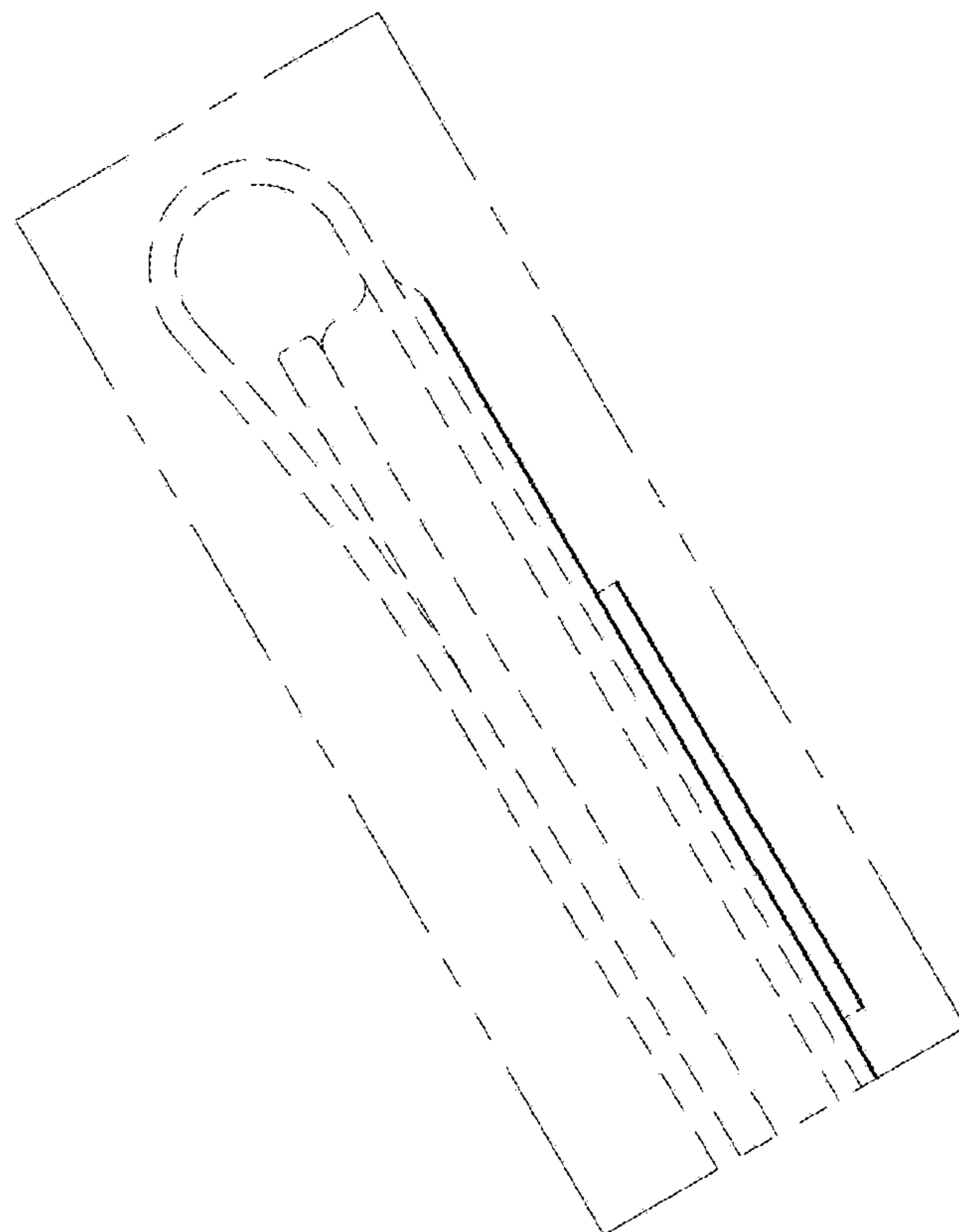


FIG. 26

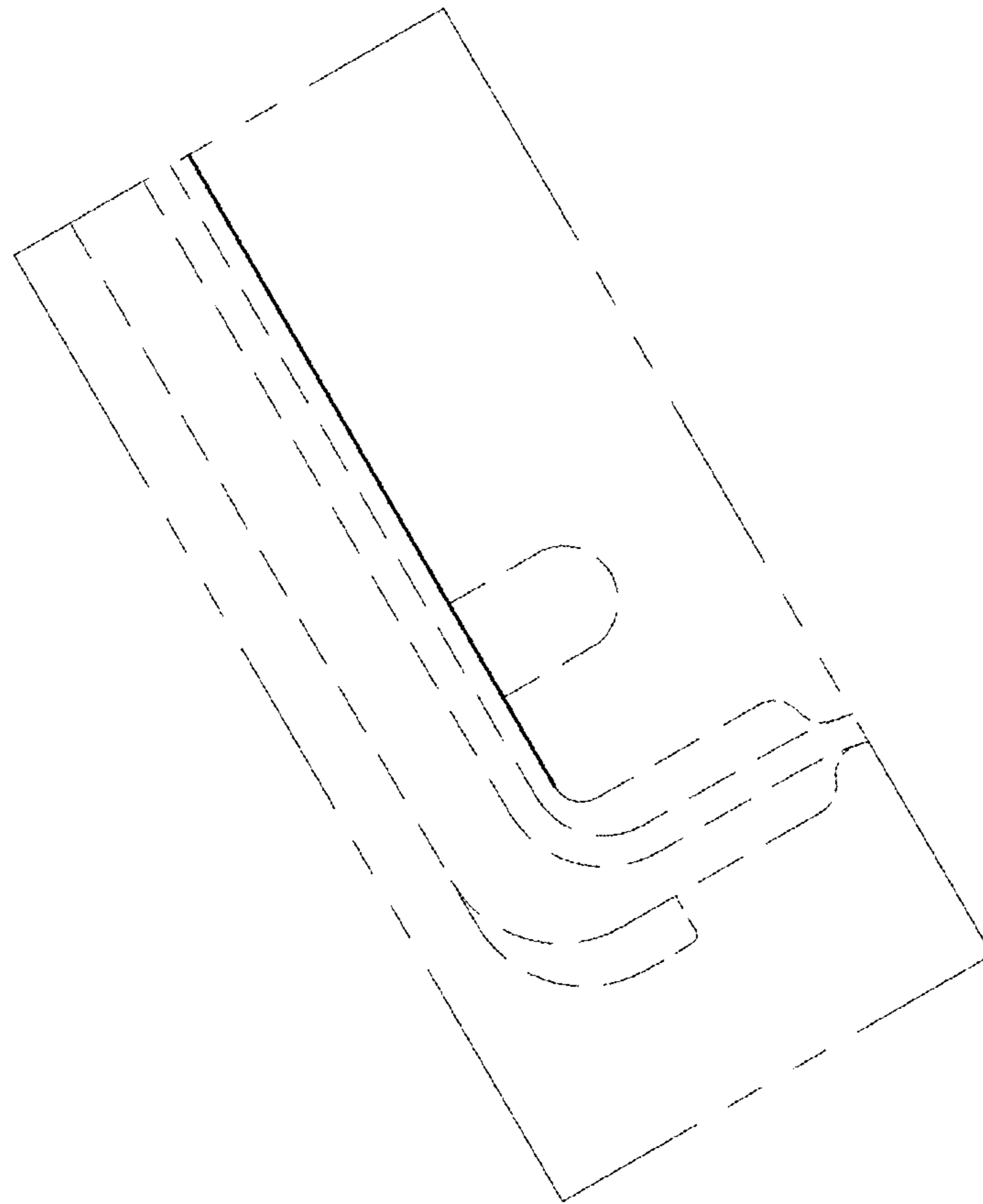


FIG. 27

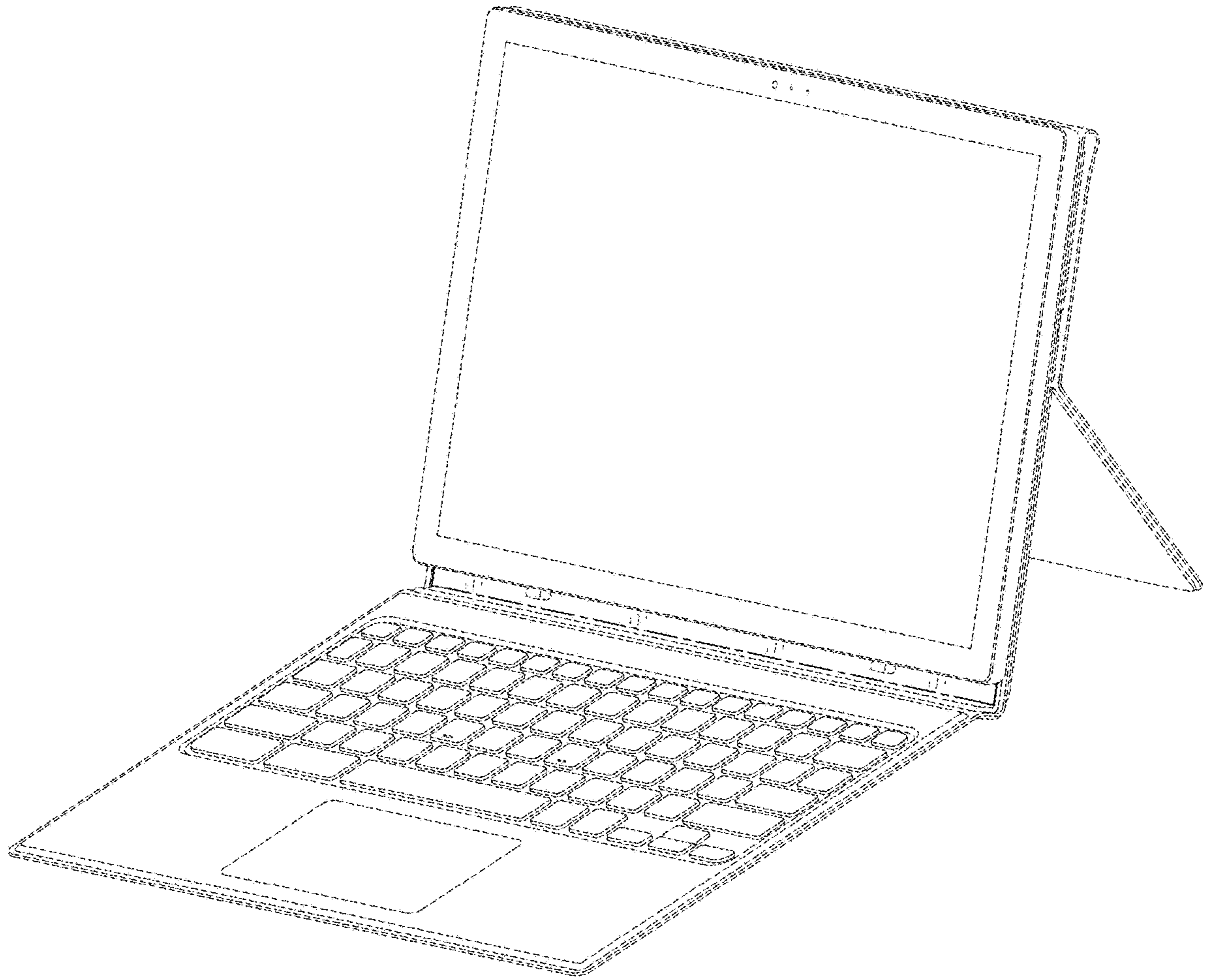


FIG. 28



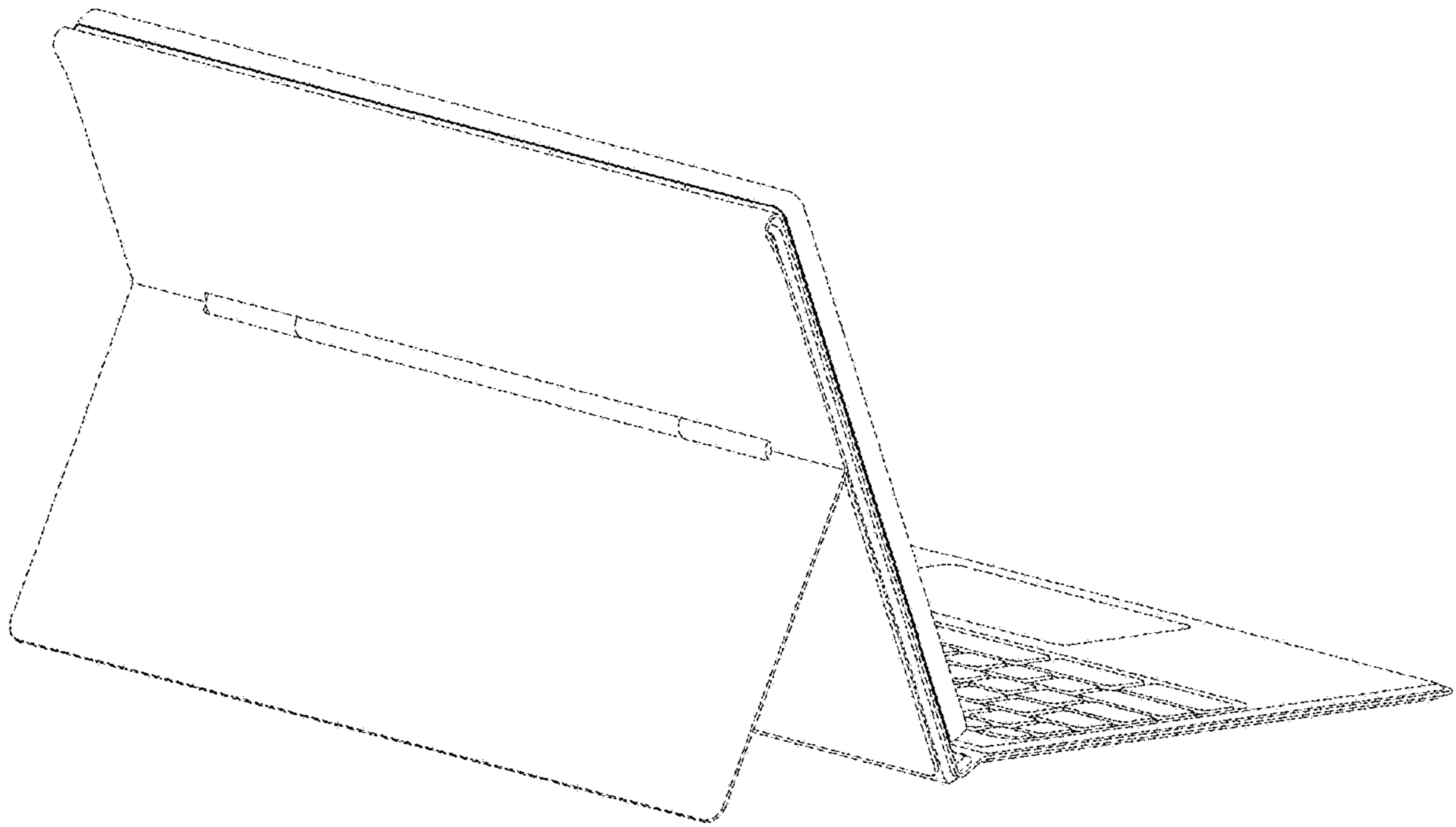


FIG. 29

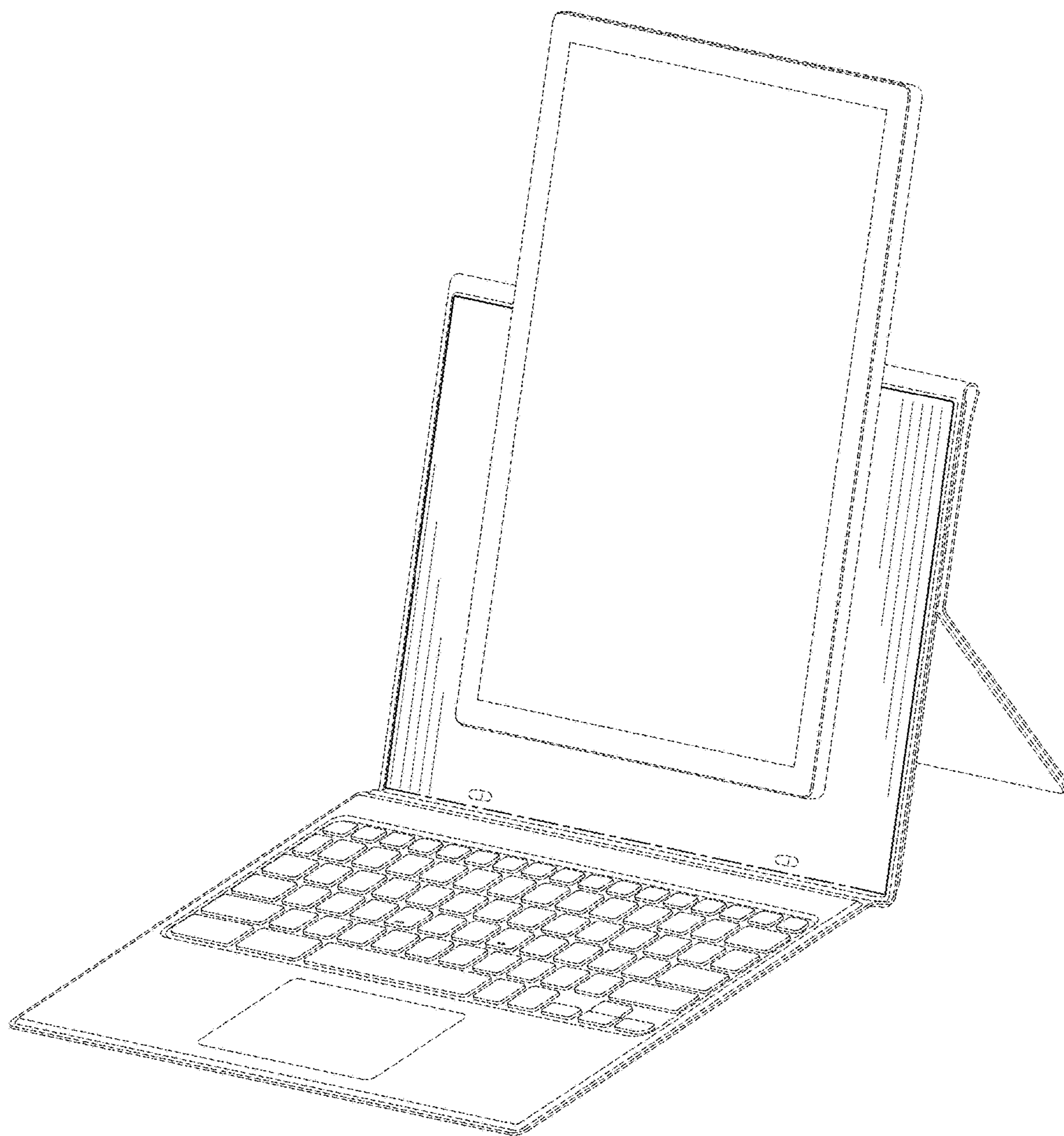


FIG. 30

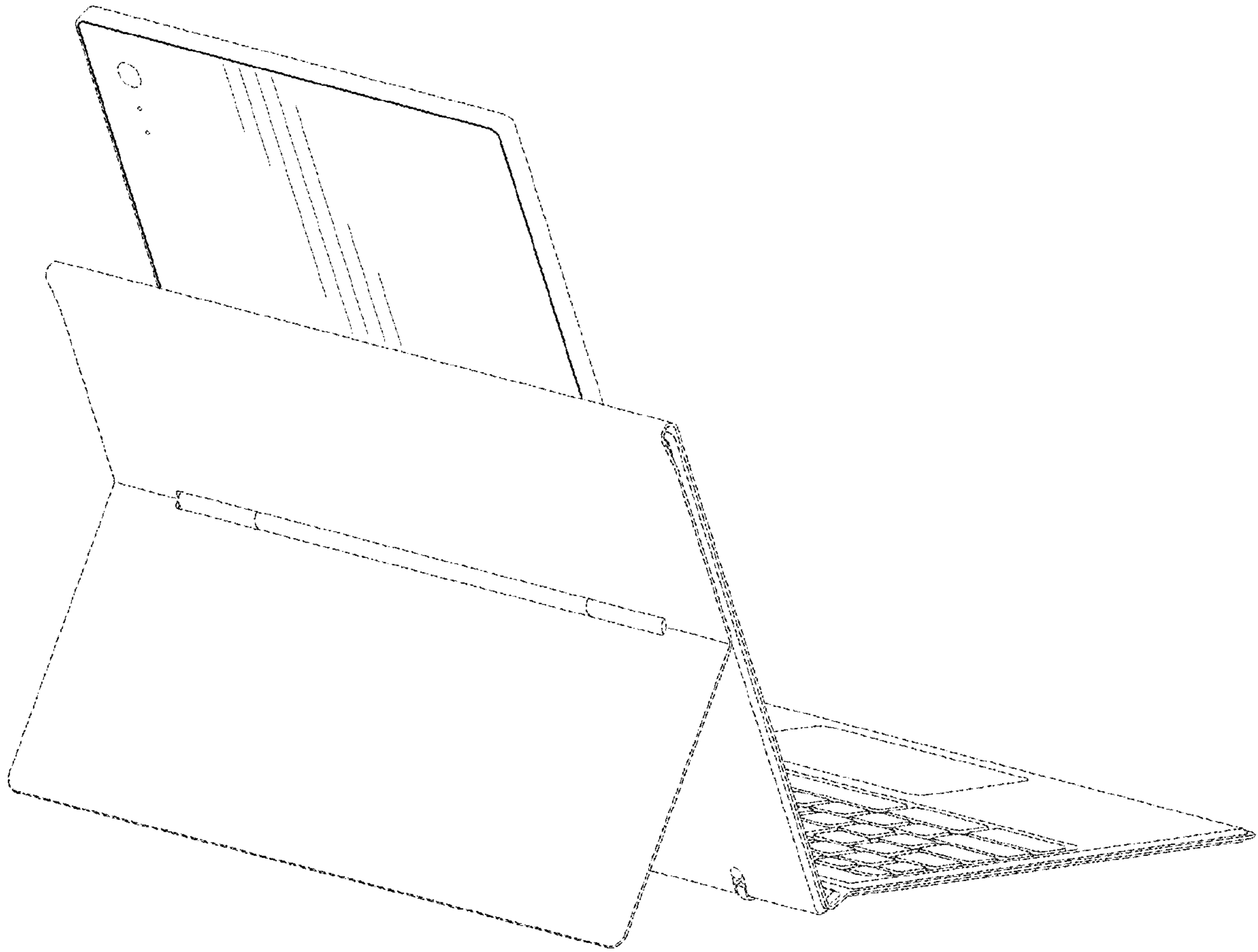


FIG. 31