



US00D907041S

(12) **United States Design Patent**
Jiang

(10) **Patent No.:** **US D907,041 S**

(45) **Date of Patent:** **** Jan. 5, 2021**

- (54) **USB HUB**
- (71) Applicant: **Shu Jiang**, Guangdong (CN)
- (72) Inventor: **Shu Jiang**, Guangdong (CN)
- (73) Assignee: **Shenzhen Colorii TECH Limited**,
Guangdong (CN)
- (**) Term: **15 Years**
- (21) Appl. No.: **29/697,422**
- (22) Filed: **Jul. 8, 2019**
- (51) **LOC (13) Cl.** **14-99**
- (52) **U.S. Cl.**
USPC **D14/433**
- (58) **Field of Classification Search**
USPC D14/433, 434, 435.1, 480.1-480.7, 436,
D14/484.1, 155, 203.1-203.8, 240, 242,
D14/133, 154; D13/107, 108
CPC G06F 13/122; G06F 13/382; G06F 13/385;
G06F 13/4022; G06F 13/4282; G06F
1/1632; G06F 1/1684; H01R 25/006;
H05K 5/0278; G06K 19/07732
See application file for complete search history.

D881,888 S *	4/2020	Liao	D14/433
D885,391 S *	5/2020	Chin	D14/433
D885,392 S *	5/2020	Duan	D14/433
D885,393 S *	5/2020	Duan	D14/433
D890,181 S *	7/2020	Liu	D14/433
D891,433 S *	7/2020	Chin	D14/433
D892,119 S *	8/2020	Chin	D14/433
D893,488 S *	8/2020	Liu	D14/433

FOREIGN PATENT DOCUMENTS

CN	305878411	*	6/2020
EM	006567335-0002	*	6/2019

* cited by examiner

Primary Examiner — Angela J Lee
Assistant Examiner — Rebekah A Caruso

(57) **CLAIM**

The ornamental design for a USB hub, as shown and described.

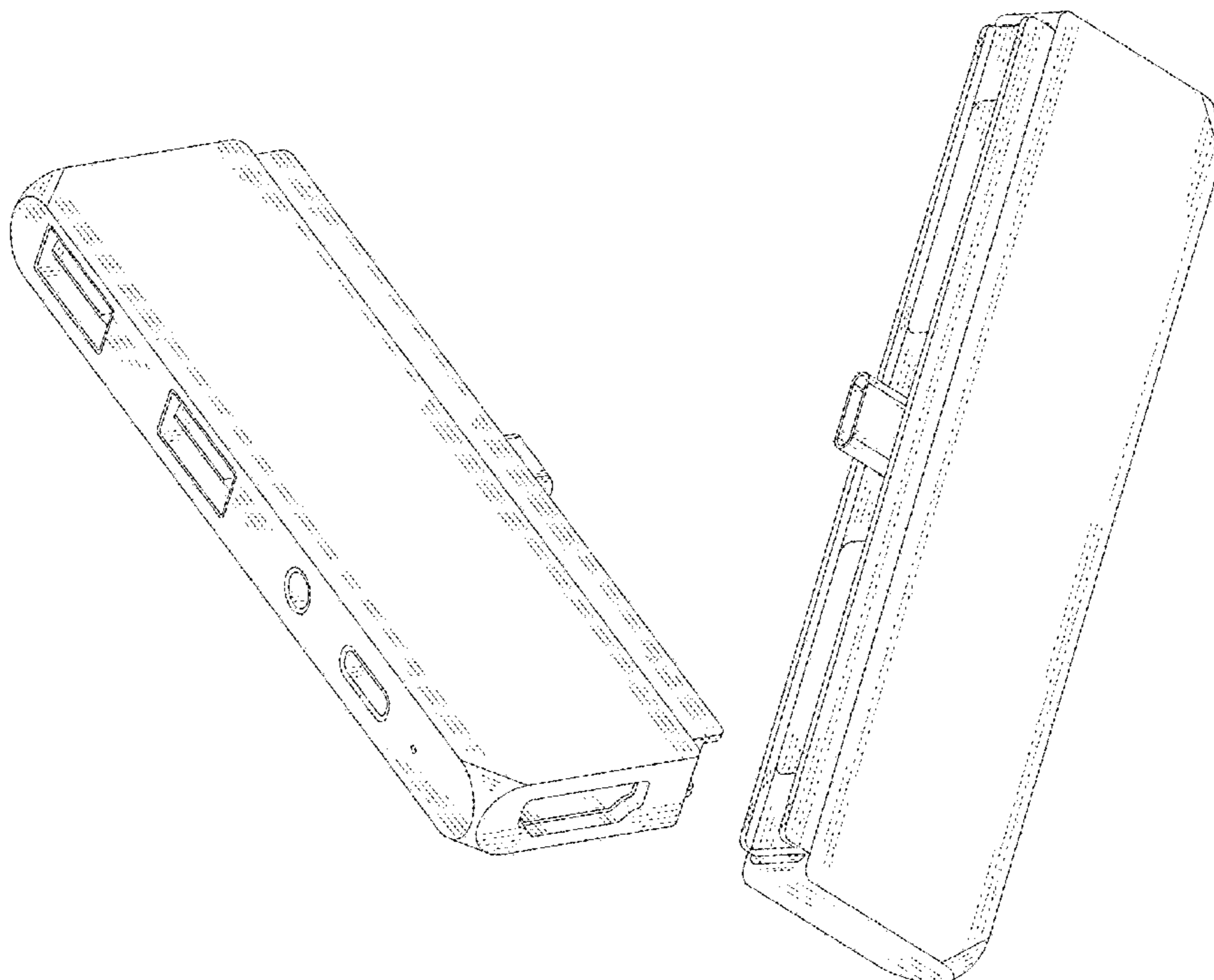
DESCRIPTION

FIG. 1 is a perspective view of a USB hub showing my new design;
FIG. 2 is a front elevational view thereof;
FIG. 3 is a rear elevational view thereof;
FIG. 4 is a left side elevational view thereof;
FIG. 5 is a right side elevational view thereof;
FIG. 6 is a top plan view thereof;
FIG. 7 is a bottom plan view thereof; and,
FIG. 8 is a rear, right and top perspective view thereof.

1 Claim, 8 Drawing Sheets

(56) **References Cited**
U.S. PATENT DOCUMENTS

D830,366 S *	10/2018	Turksu	D14/433
D855,054 S *	7/2019	Turksu	D14/433
D862,474 S *	10/2019	Liu	D14/433
D864,208 S *	10/2019	Duan	D14/433
D864,967 S *	10/2019	Liu	D14/434
D874,462 S *	2/2020	Chin	D14/433
D876,439 S *	2/2020	Turksu	D14/433



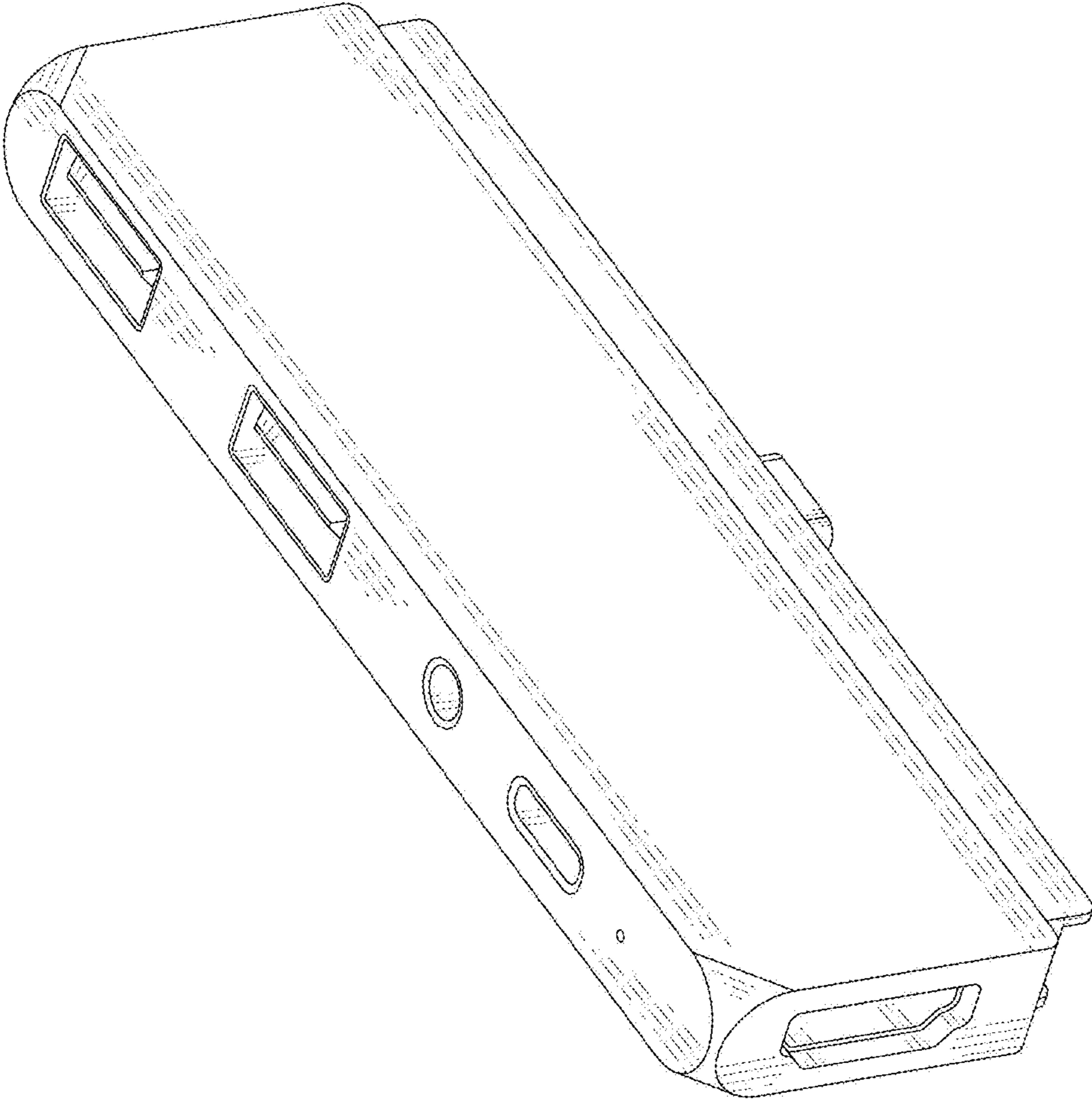


FIG. 1

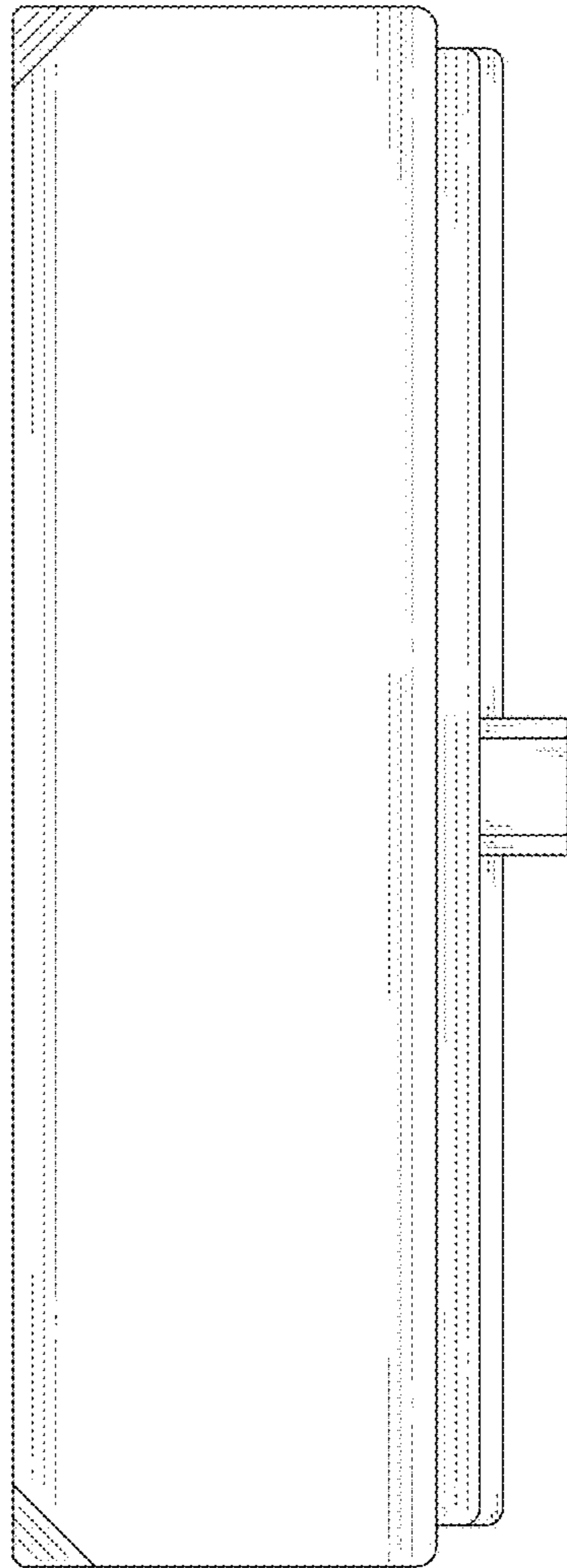


FIG. 2

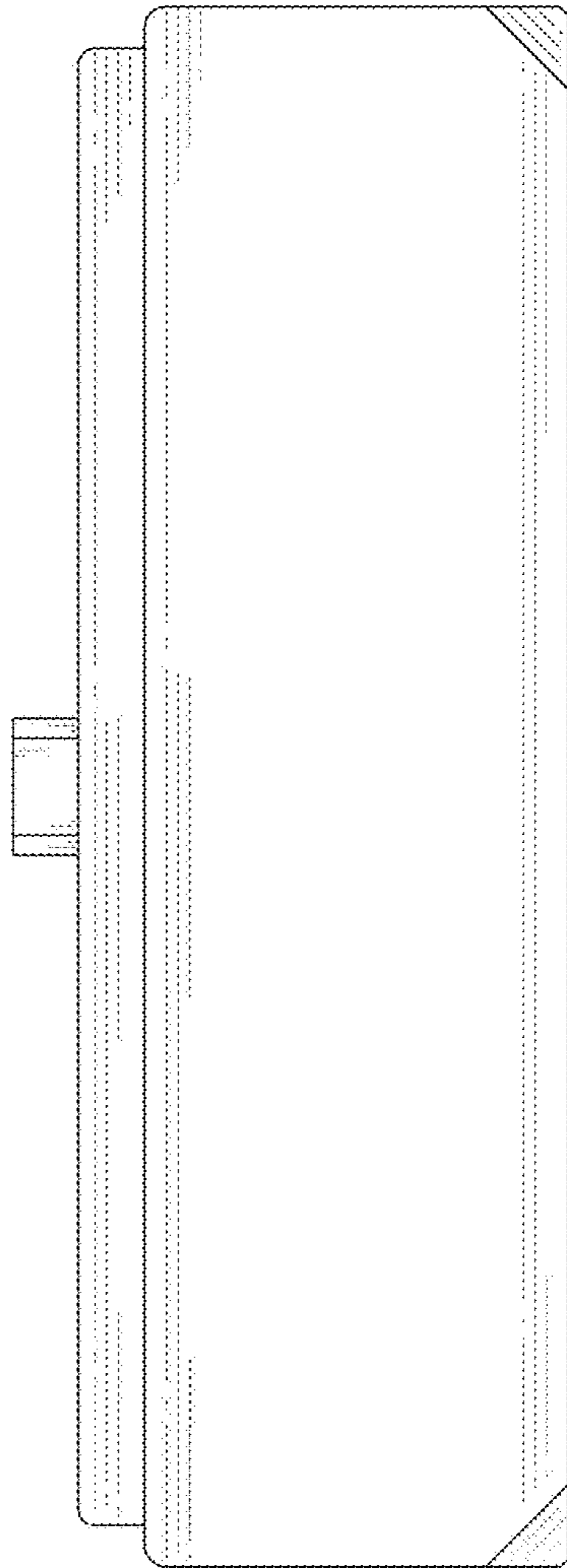


FIG. 3

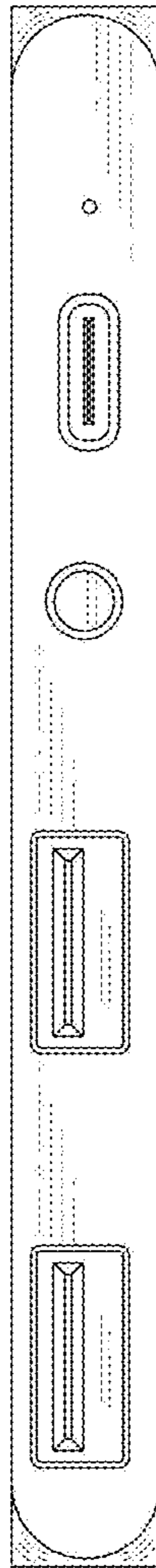


FIG. 4

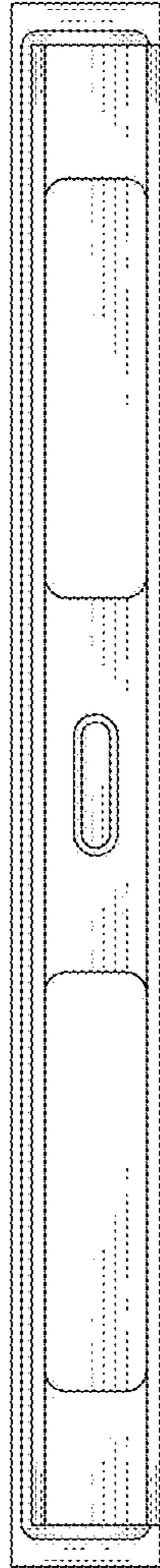


FIG. 5

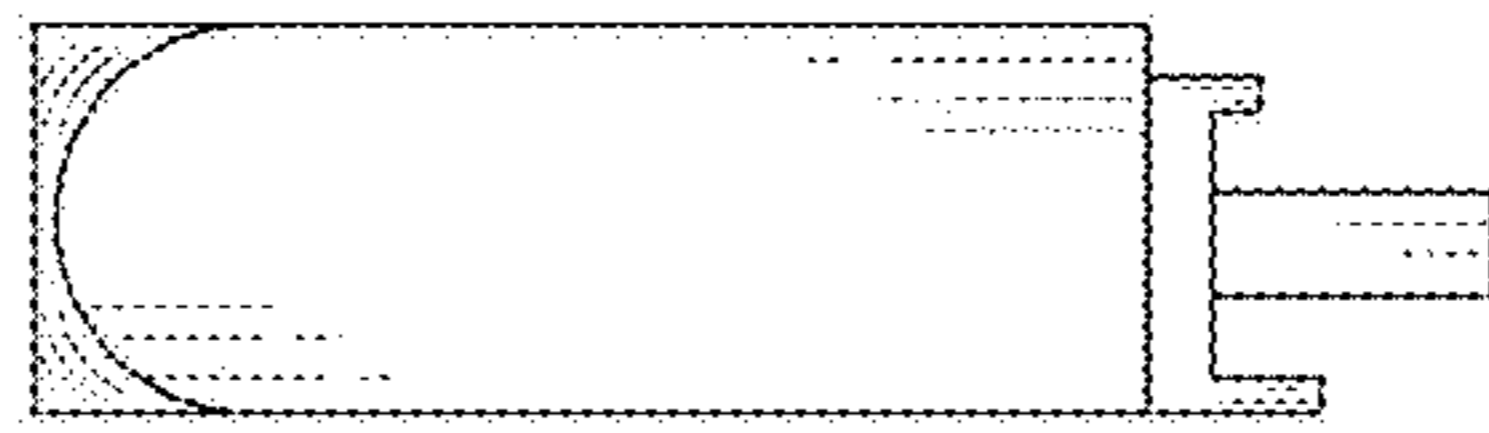


FIG. 6

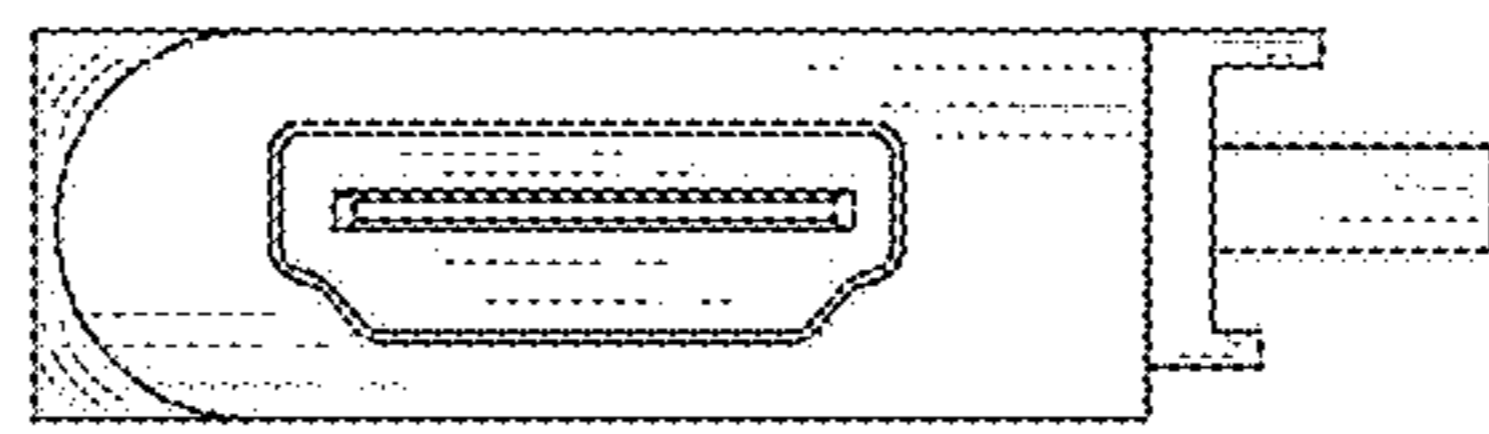


FIG. 7

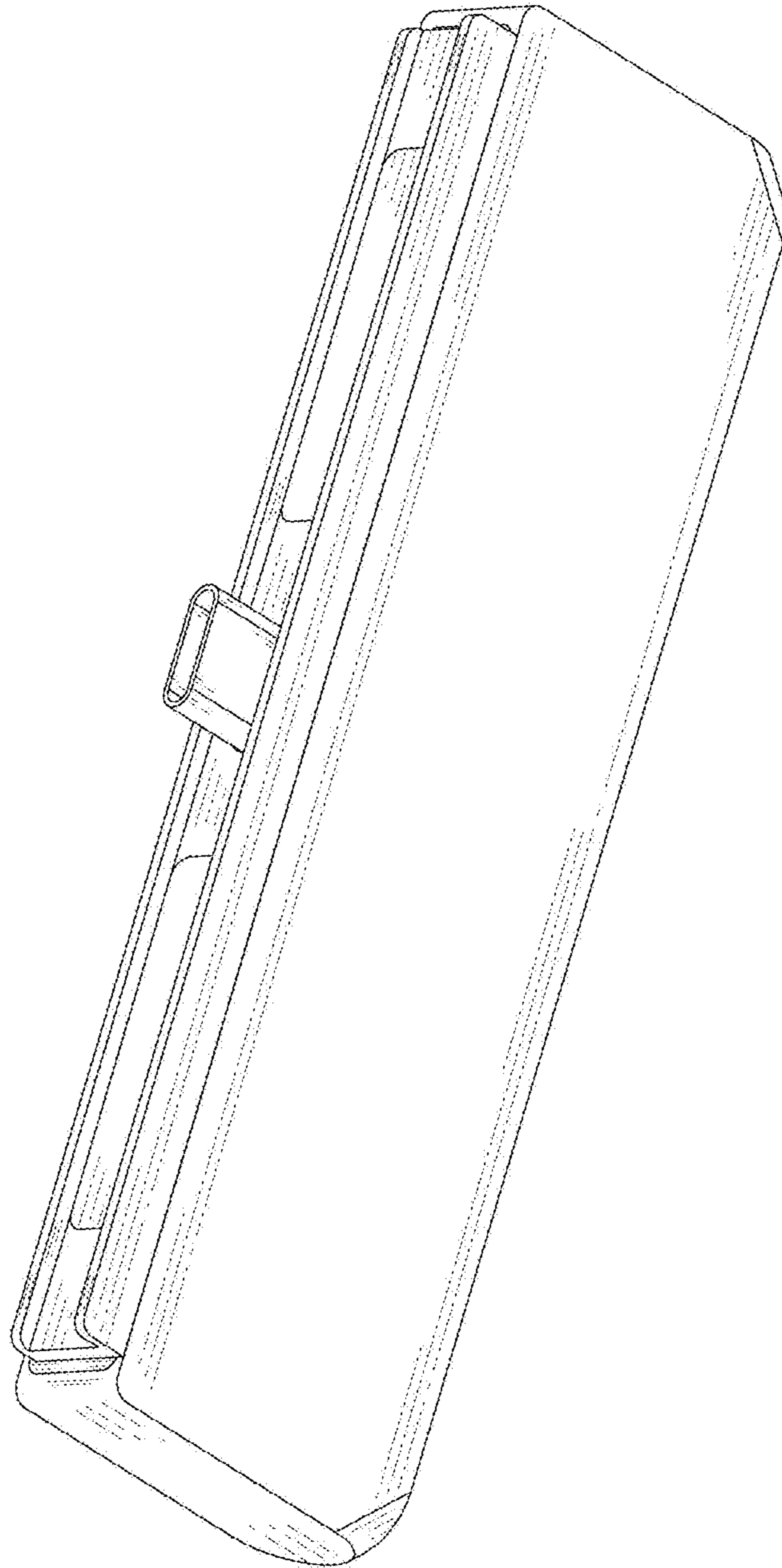


FIG. 8