



US00D907033S

(12) **United States Design Patent** (10) **Patent No.:** **US D907,033 S**
Luo (45) **Date of Patent:** **** Jan. 5, 2021**

(54) **ALL-IN-ONE COMPUTER**
(71) Applicant: **SHENZHEN DUSHANG TECHNOLOGY CO., LTD.**, Shenzhen (CN)

(72) Inventor: **Jiameng Luo**, Changde (CN)

(73) Assignee: **SHENZHEN DUSHANG TECHNOLOGY CO., LTD.**, Shenzhen (CN)

(**) Term: **15 Years**

(21) Appl. No.: **29/740,441**

(22) Filed: **Jul. 3, 2020**

(30) **Foreign Application Priority Data**

Jun. 28, 2020 (EM) 008023832-0001

(51) **LOC (13) Cl.** **14-02**

(52) **U.S. Cl.**
USPC **D14/336**

(58) **Field of Classification Search**
USPC D14/336, 337, 341, 375, 376, 377, 127, D14/128, 129, 371, 372, 373, 374, 126
CPC G06F 1/1601; G06F 1/1605; G06F 1/162
See application file for complete search history.

(56) **References Cited**

U.S. PATENT DOCUMENTS

- D610,814 S * 3/2010 Chigira D6/310
- D628,199 S * 11/2010 Yukikado D14/374
- D634,320 S * 3/2011 Bliven D14/371
- D661,692 S * 6/2012 Sanlville D14/240
- D669,076 S * 10/2012 Haller D14/374
- D721,364 S * 1/2015 Huh D14/374
- D727,890 S * 4/2015 Lee et al.
- D766,899 S * 9/2016 Kim D14/374

- D769,240 S 10/2016 Yu
 - D794,630 S * 8/2017 Pendse D14/341
 - D834,428 S * 11/2018 Jiang D10/3
 - D849,741 S * 5/2019 Wei D14/336
 - D875,095 S * 2/2020 Gan D14/374
- (Continued)

FOREIGN PATENT DOCUMENTS

- CN 303297850 * 7/2015
 - EM 000048061-0001 * 8/2003
- (Continued)

OTHER PUBLICATIONS

Dell. Link: <https://www.dell.com/en-us/work/shop/dell-laptops-and-notebooks/latitude-7200-2-in-1-laptop/> . . . Visited Sep. 21, 2020. Latitude 7200 2-in-1 Laptop (Year: 2020).*

(Continued)

Primary Examiner — Lauren D McVey

(57) **CLAIM**

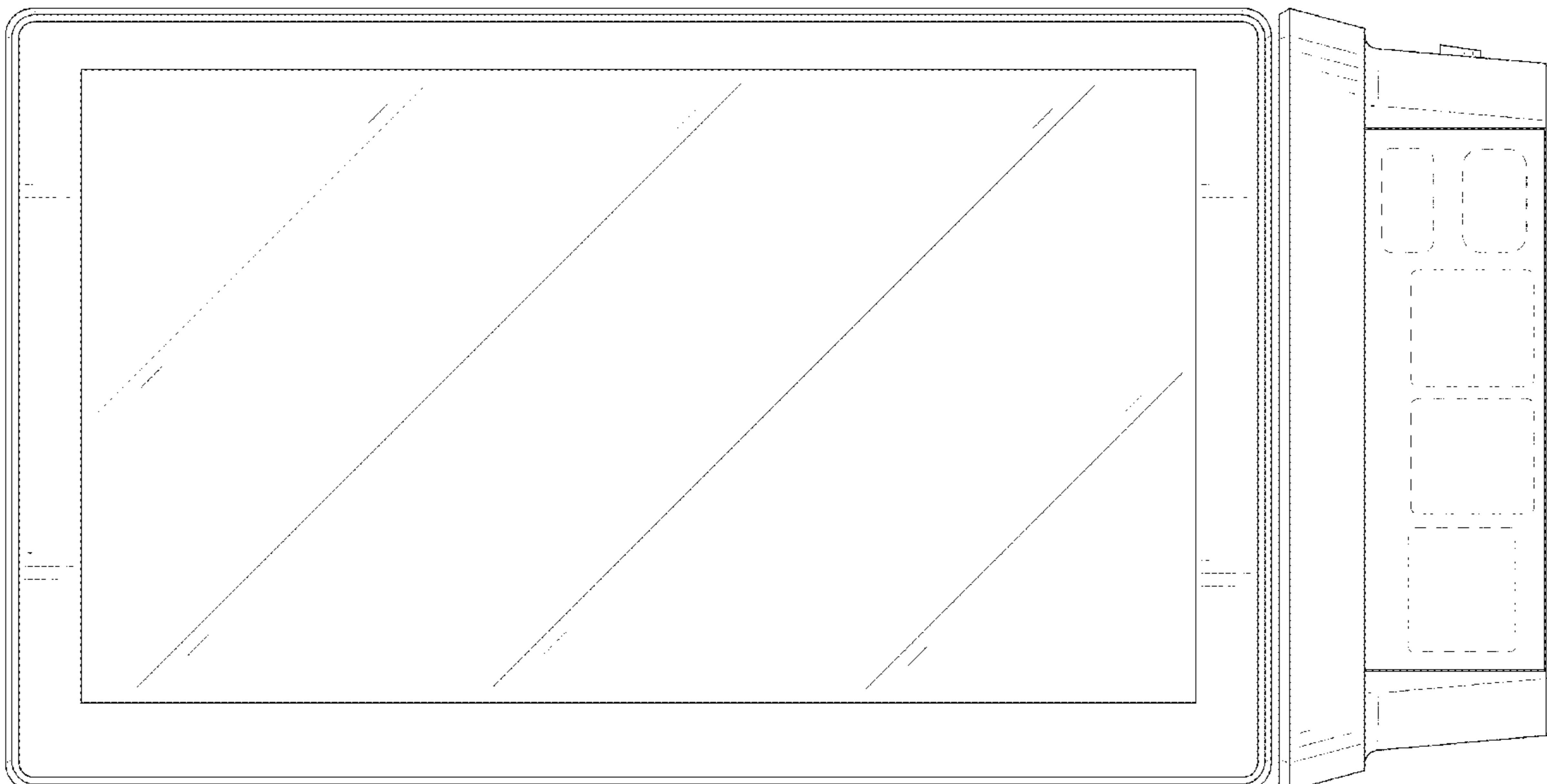
The ornamental design for an all-in-one computer, as shown and described.

DESCRIPTION

FIG. 1 is a perspective view of an all-in-one computer showing my new design in a first configuration; FIG. 2 is another perspective view thereof; FIG. 3 is a front elevational view thereof; FIG. 4 is a rear elevational view thereof; FIG. 5 is a left side elevational view thereof; FIG. 6 is a right side elevational view thereof; FIG. 7 is a top plan view thereof; FIG. 8 is a bottom plan view thereof; and, FIG. 9 is a perspective view of the all-in-one computer in a second configuration.

The broken lines in the drawings depict boundaries of the all-in-one computer that form no part of the claimed design.

1 Claim, 9 Drawing Sheets



(56)

References Cited

U.S. PATENT DOCUMENTS

D876,431 S * 2/2020 Pendse D14/341
D882,966 S * 5/2020 Jiang D6/308

FOREIGN PATENT DOCUMENTS

KR 300604645 .0000 * 7/2011
WO WO-2011049206 A1 * 4/2011 F16M 11/22

OTHER PUBLICATIONS

Amazon. Link: https://www.amazon.com/dp/B08F812C9R/ref=cm_sw_em_r_mt_dp_RBIAFbHYEHPW7. Aug. 4, 2020. Dell Inspiron 3000 All-in-One Desktop Computer 21.5" FHD Touchscreen, AMD A6-9225. (Year: 2020).*

* cited by examiner

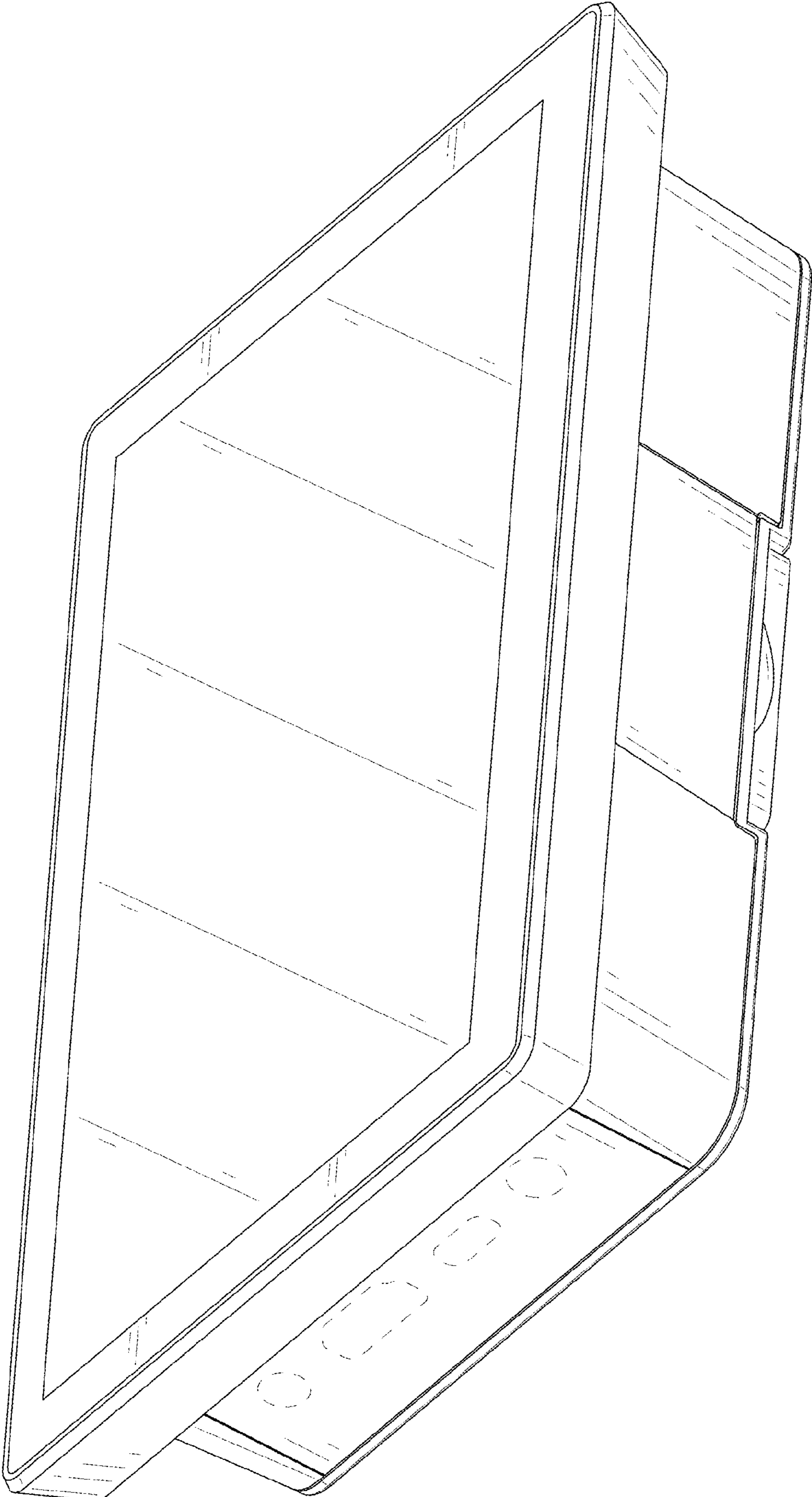


FIG. 1

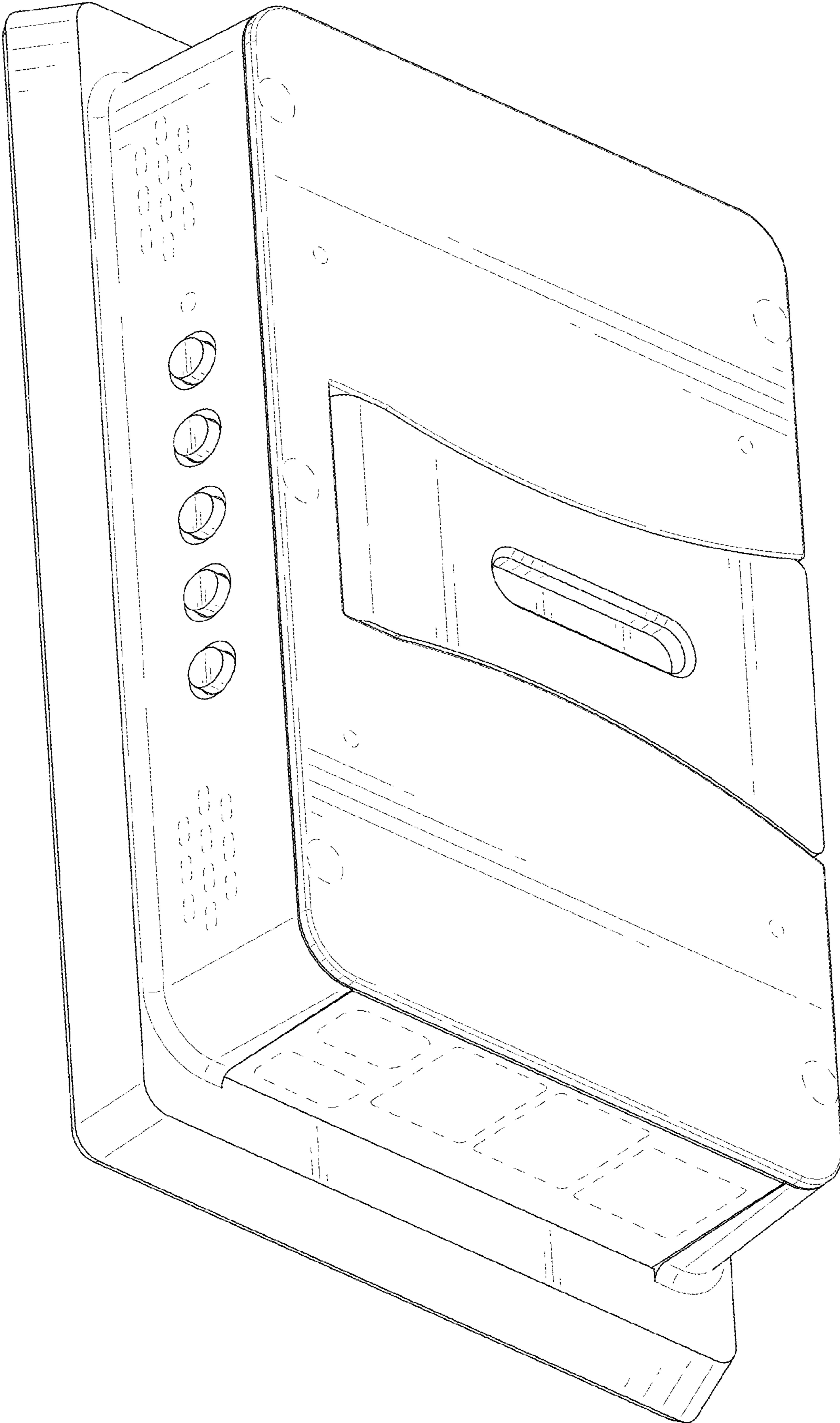


FIG. 2

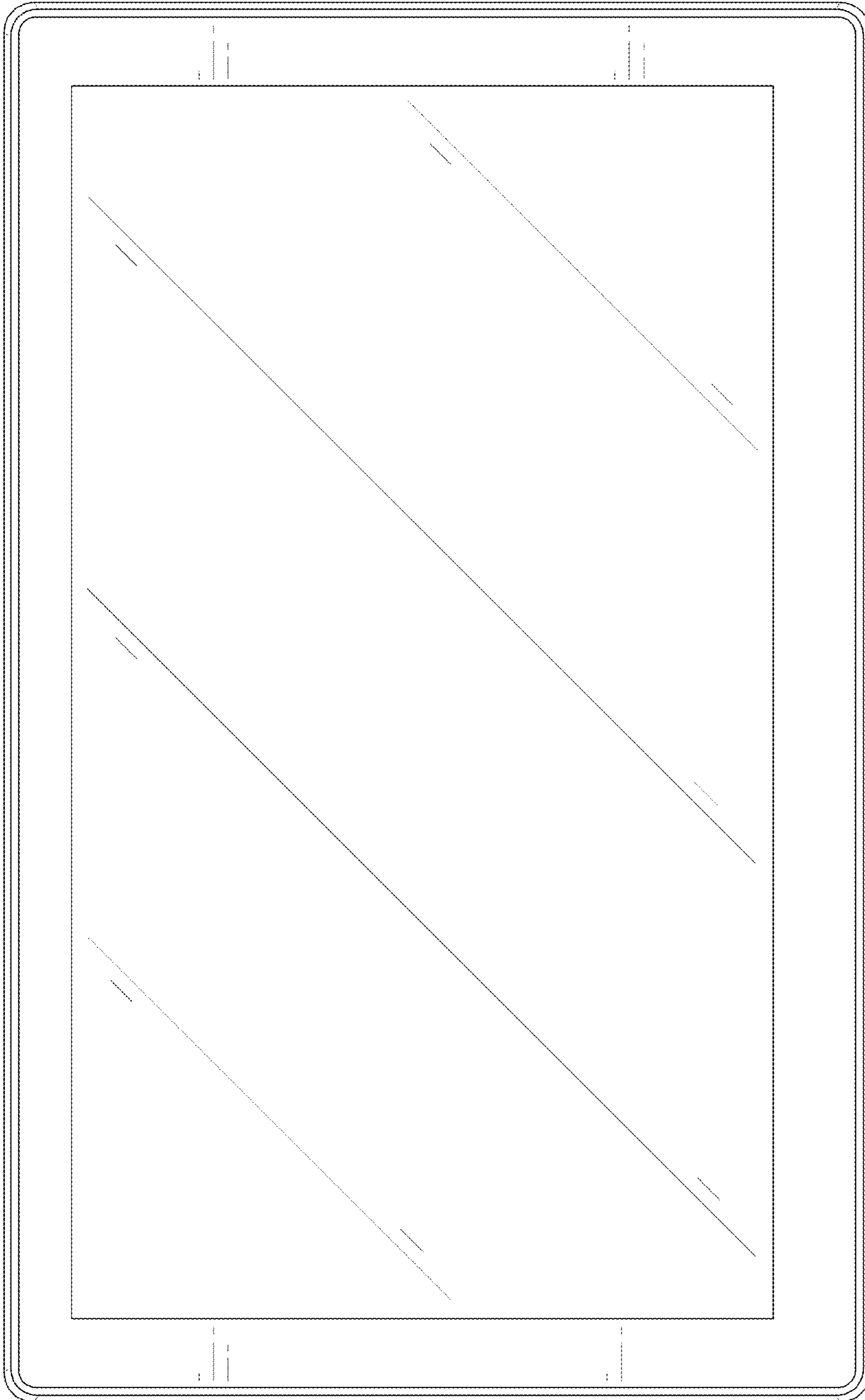


FIG. 3

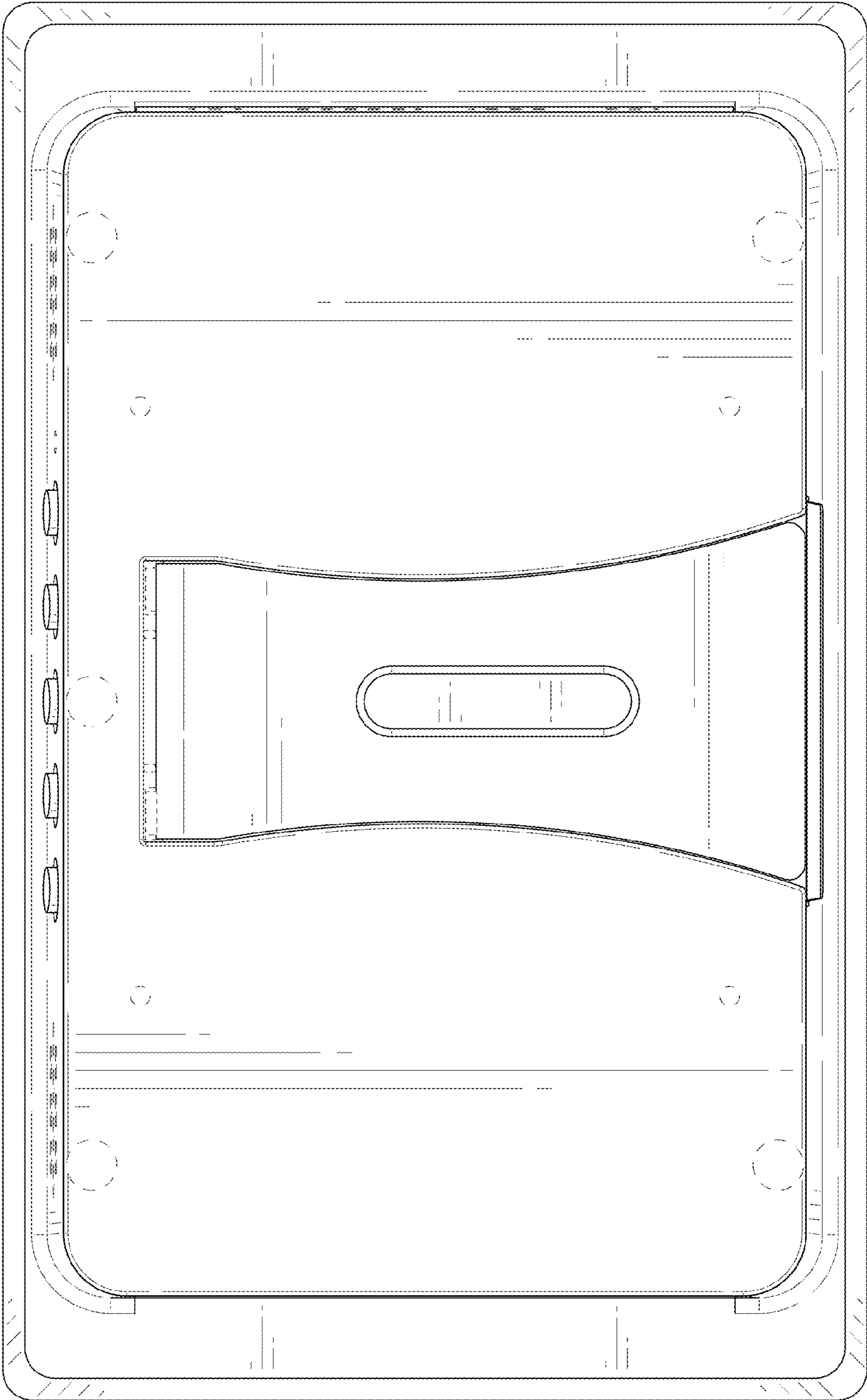


FIG. 4

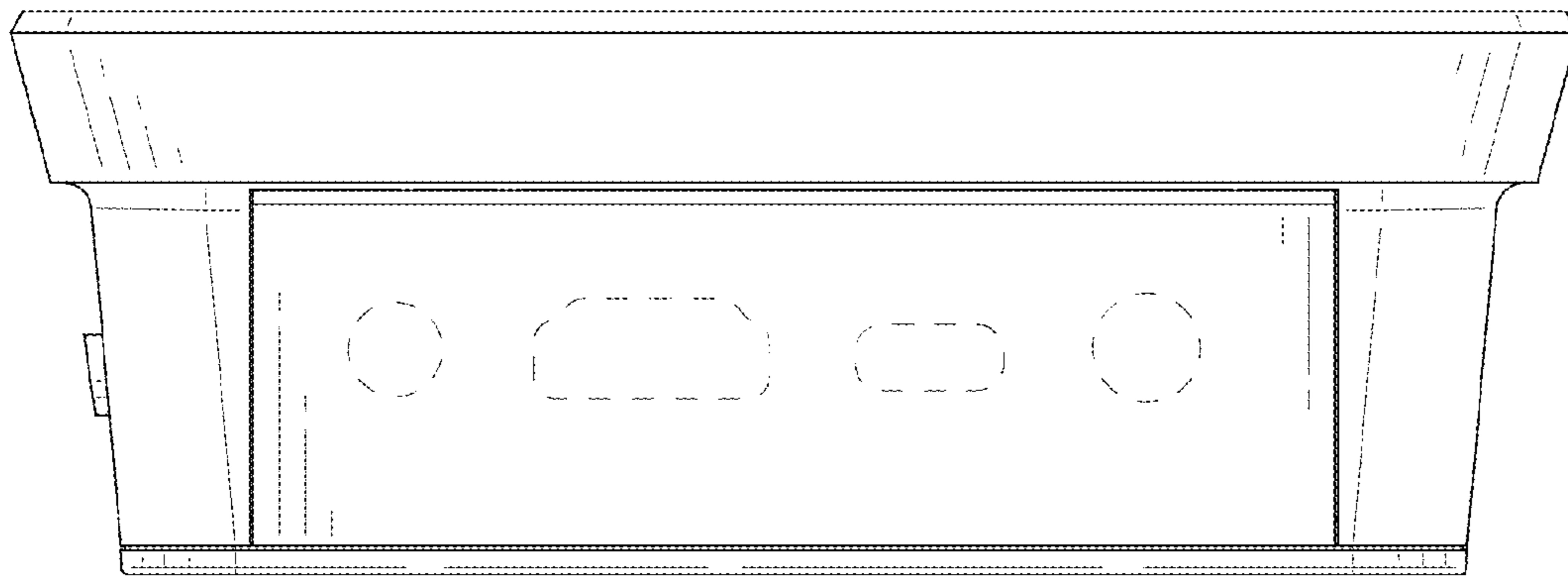


FIG. 5

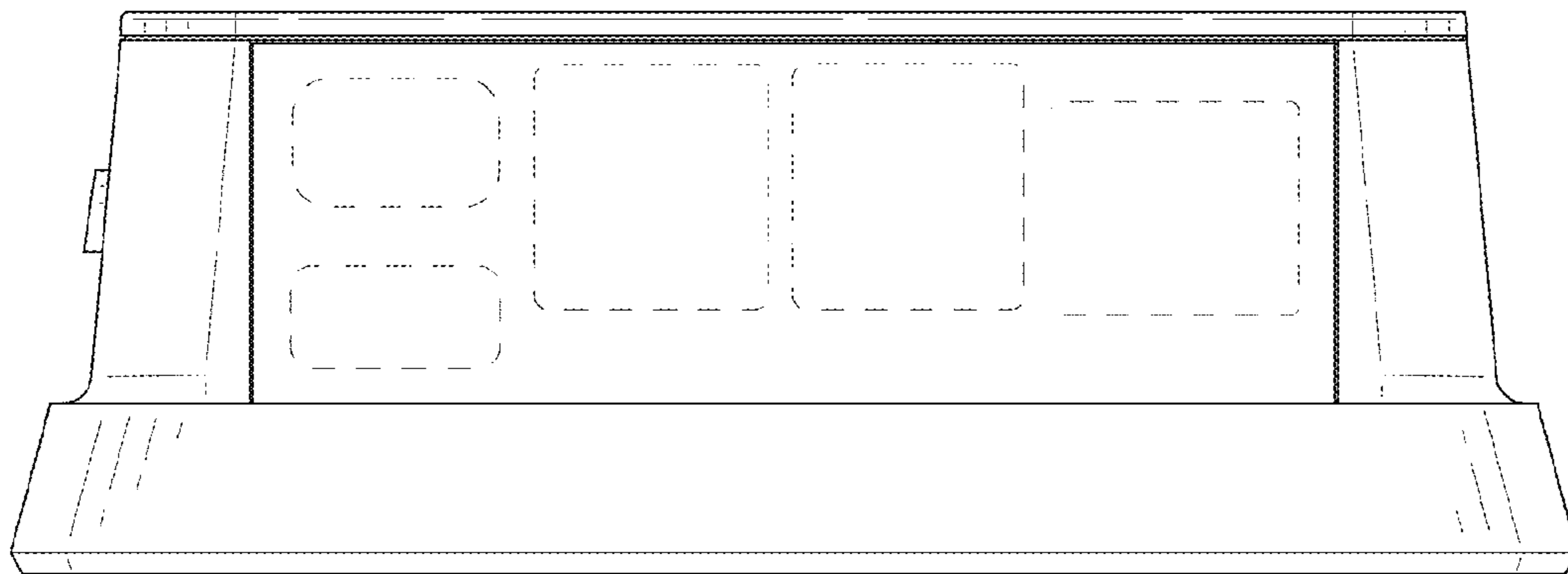


FIG. 6

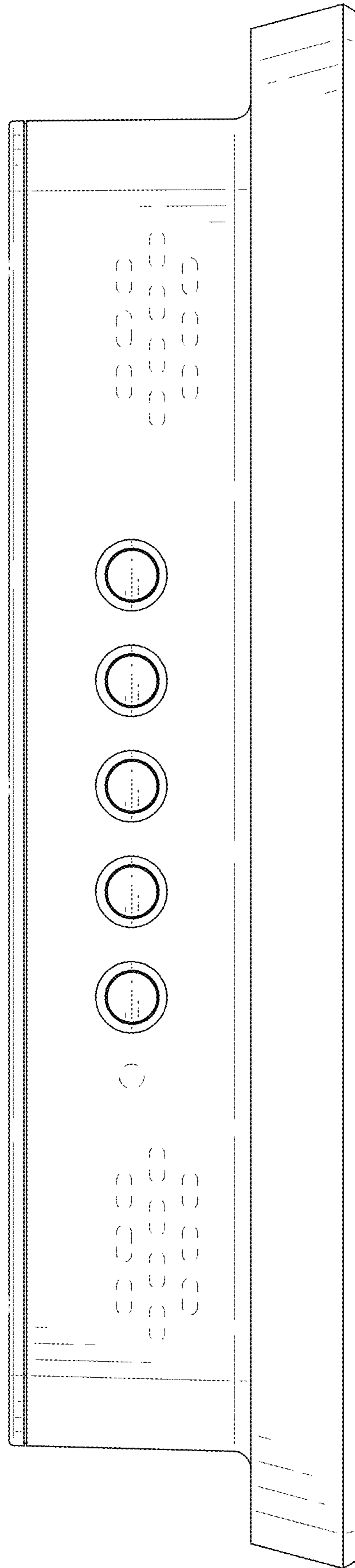


FIG. 7

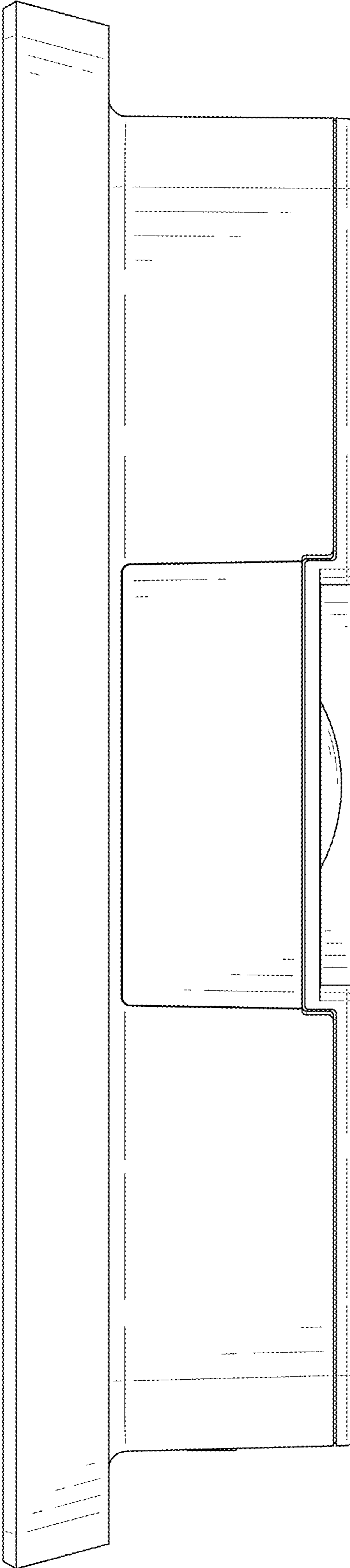


FIG. 8

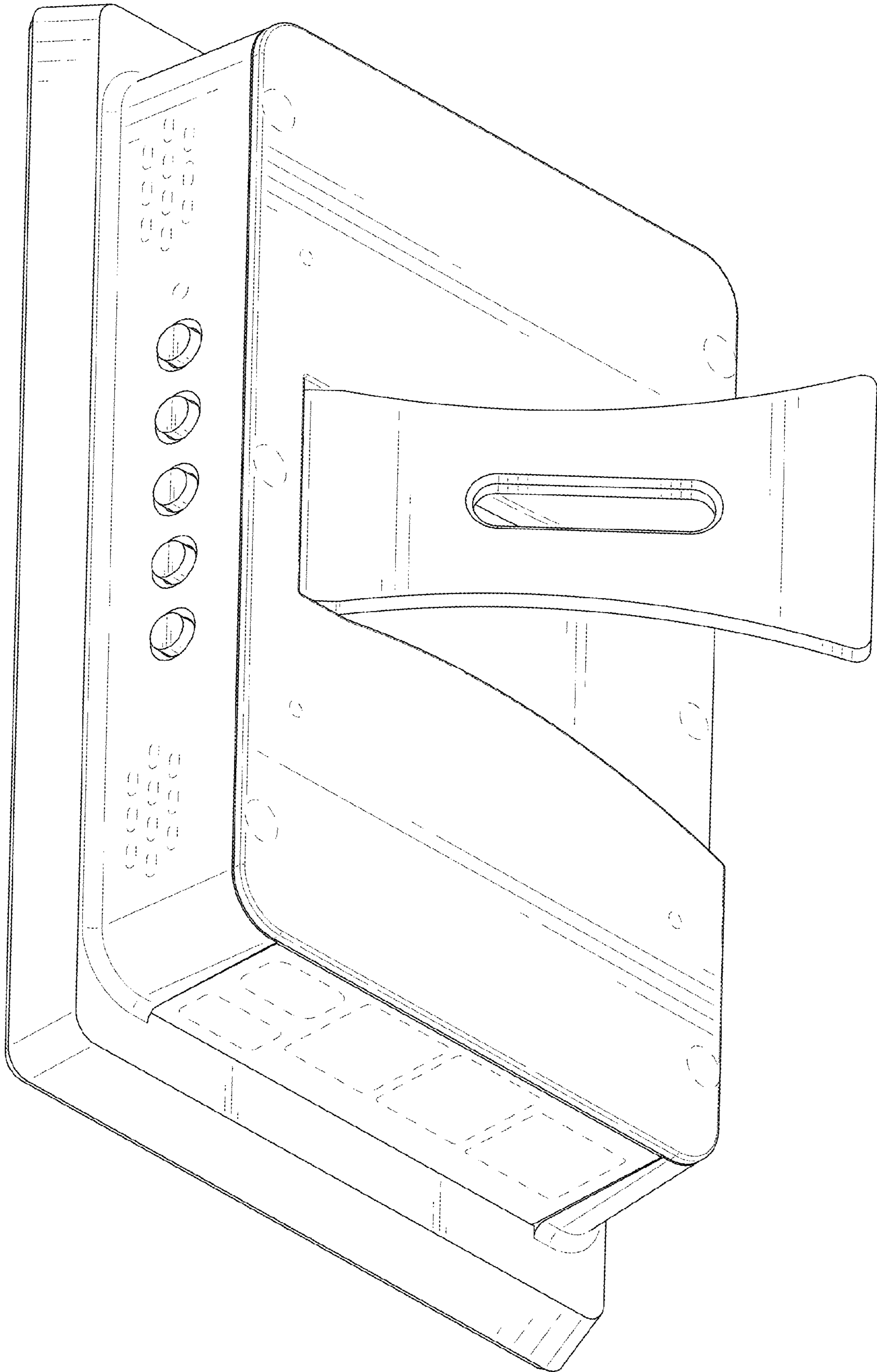


FIG. 9