



US00D907032S

(12) **United States Design Patent**
Solomon

(10) **Patent No.:** **US D907,032 S**
(45) **Date of Patent:** **** Jan. 5, 2021**

(54) **VIRTUALIZATION DEVICE**
(71) Applicant: **Tangible Play, Inc.**, Palo Alto, CA (US)
(72) Inventor: **Mark Solomon**, San Jose, CA (US)
(73) Assignee: **Tangible Play, Inc.**, Palo Alto, CA (US)
(**) Term: **15 Years**
(21) Appl. No.: **29/697,290**

(22) Filed: **Jul. 7, 2019**
(51) **LOC (13) Cl.** **14-02**
(52) **U.S. Cl.**
USPC **D14/336**; D19/60; D21/324
(58) **Field of Classification Search**
USPC D14/388, 389, 390, 318, 439, 443, 399,
D14/336, 341, 342, 346, 356, 130, 218,
D14/454, 455, 299, 371, 374, 378, 496,
D14/432, 434, 457, 458, 129; D21/324,
D21/329, 333; D13/162, 164, 168;
D19/59-61, 113; D24/186; D10/46, 61,
D10/65, 70, 104.1, 106.9, 106.95, 108
CPC G06F 3/041; G06F 3/0412; G06F 3/0416;
G06F 3/03545; G06F 3/03547; G06F
1/1601; G06F 1/1605; G06F 1/1067;
G06F 1/1669; G06F 1/1643; G06F 1/166;
G06F 1/1686
See application file for complete search history.

(56) **References Cited**
U.S. PATENT DOCUMENTS

D282,935 S * 3/1986 Shifflett D19/60
D284,084 S * 6/1986 Ferrara, Jr. D14/389
D299,473 S * 1/1989 Murphy D19/60
D304,338 S * 10/1989 Sermon D14/140.8
D310,521 S * 9/1990 Leung D14/390
D313,409 S * 1/1991 Chowdhree D14/389
D321,175 S * 10/1991 Tsuchiya D14/368

D322,777 S * 12/1991 Nishio D14/314
D324,210 S * 2/1992 Vossoughi D14/374
D333,814 S * 3/1993 Swanson D14/390
D336,053 S * 6/1993 Hayes D14/390
D352,279 S * 11/1994 Foy D14/341
D361,784 S * 8/1995 Saddler D19/60
D362,270 S * 9/1995 Allen D14/390
D362,662 S * 9/1995 Baudot D14/389
D366,499 S * 1/1996 Fung D14/335
D370,892 S * 6/1996 Shima D14/314
D373,576 S * 9/1996 Liggett D14/341
D380,231 S * 6/1997 Chow D14/340
D388,065 S * 12/1997 Kawauchi D14/389
D395,458 S * 6/1998 Smith D21/329

(Continued)

OTHER PUBLICATIONS

First Examination Report of Indian Design Application No. 325417-001, dated Feb. 21, 2020 (2 pages).

Primary Examiner — Marie D. Fast Horse
(74) *Attorney, Agent, or Firm* — Patent Law Works LLP

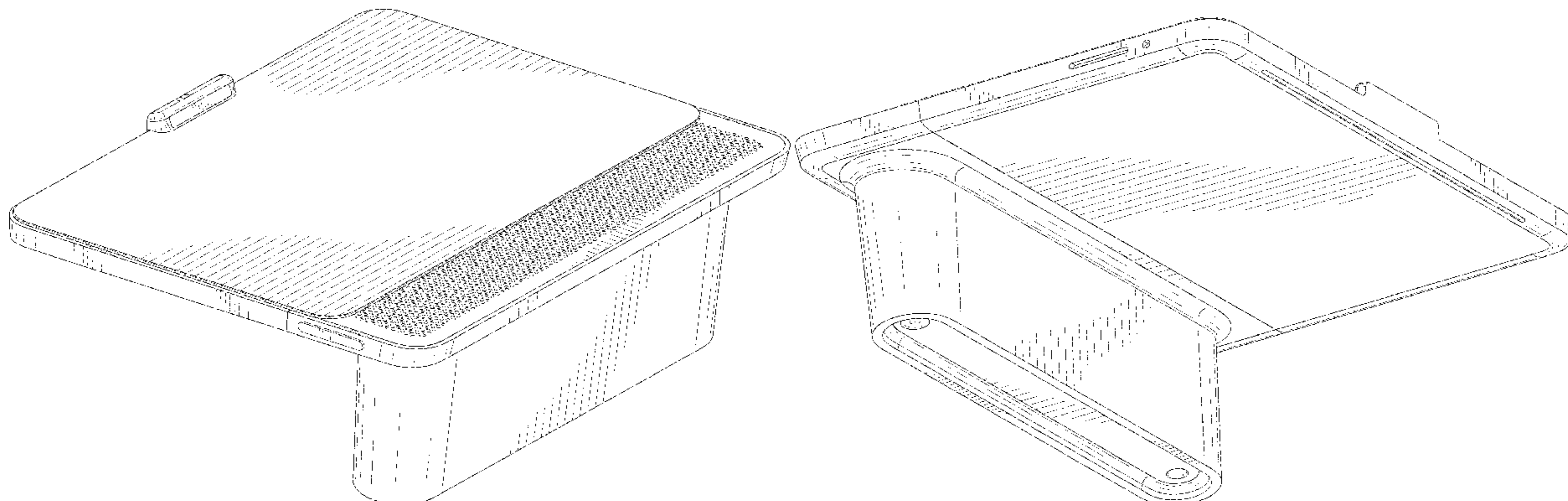
(57) **CLAIM**

The ornamental design for a virtualization device, as shown and described.

DESCRIPTION

FIG. 1 is a front, left perspective view of a virtualization device, showing my new design;
FIG. 2 is a right, rear perspective view thereof;
FIG. 3 is a front view thereof;
FIG. 4 is a rear view thereof;
FIG. 5 is a left side view thereof;
FIG. 6 is a right side view thereof;
FIG. 7 is a bottom view thereof; and,
FIG. 8 is a top view thereof.
Within the drawings, the broken lines show unclaimed portions of the virtualization device, and form no part of the claimed design.

1 Claim, 6 Drawing Sheets



(56)

References Cited

U.S. PATENT DOCUMENTS

D396,217 S *	7/1998	Suzuki	D14/336	D665,687 S *	8/2012	Lee	D10/108
D411,517 S *	6/1999	Lin	D14/336	D669,049 S *	10/2012	Harper	D14/129
D426,816 S *	6/2000	Lucente	D14/336	D671,112 S *	11/2012	Harper	D14/336
D458,255 S *	6/2002	Hsu	D14/373	D676,900 S *	2/2013	Ohno	D18/4.4
D459,394 S *	6/2002	Obadiaru	D19/60	D679,018 S *	3/2013	Fullerton	D24/167
D496,034 S *	9/2004	Guerrera	D14/336	D696,403 S *	12/2013	Noguchi	D24/165
D517,512 S *	3/2006	Peng	D14/129	D697,506 S *	1/2014	Bianco	D14/336
D524,312 S *	7/2006	Young	D14/375	D697,910 S *	1/2014	Bianco	D14/336
D533,857 S *	12/2006	Bradley	D14/126	D702,579 S *	4/2014	Lee	D10/108
D546,895 S *	7/2007	Chan	D19/60	D708,184 S *	7/2014	Romanoff	D14/422
D563,405 S *	3/2008	Taniho	D14/336	D721,665 S *	1/2015	Klepper	D14/125
D576,177 S *	9/2008	Asanuma	D14/496	9,152,173 B2 *	10/2015	Lee	G06F 1/1601
D578,131 S *	10/2008	Horito	D14/450	9,158,389 B1 *	10/2015	Sharma	G06F 3/0304
D600,689 S *	9/2009	Jen	D14/300	D742,371 S *	11/2015	Bopp	D14/336
D607,883 S *	1/2010	Fujita	D14/341	D755,783 S *	5/2016	Shi	D14/336
D624,535 S *	9/2010	Tsai	D14/336	D778,982 S *	2/2017	Beatty	D18/4.5
D634,316 S *	3/2011	Van Den Nieuwenhuizen	D14/336	D798,378 S *	9/2017	Kim	D18/4.6
D638,019 S *	5/2011	Weisshaupt	D14/434	D807,884 S *	1/2018	Blanchette	D14/389
D641,749 S *	7/2011	Leung	D14/336	D816,081 S *	4/2018	Rosenberg	D14/390
D642,174 S *	7/2011	Hirota	D14/390	10,083,356 B2 *	9/2018	Sharma	A63F 13/42
D654,450 S *	2/2012	McManigal	D14/129	D830,868 S *	10/2018	Kress	D10/87
D660,736 S *	5/2012	Lee	D10/108	D834,573 S *	11/2018	Pell	D14/336
D660,837 S *	5/2012	Libman	D14/336	D844,010 S *	3/2019	Owens	D14/434
D662,089 S *	6/2012	Gougherty	D14/224	D849,741 S *	5/2019	Wei	D14/336
D663,638 S *	7/2012	Lee	D10/108	D850,440 S *	6/2019	Gentle	D14/336
				D871,500 S *	12/2019	Balar	D18/4.5
				D873,819 S *	1/2020	Harsacky	D14/348
				D880,327 S *	4/2020	Costabile	D10/108
				2019/0206126 A1 *	7/2019	Solomon	G06T 7/521

* cited by examiner

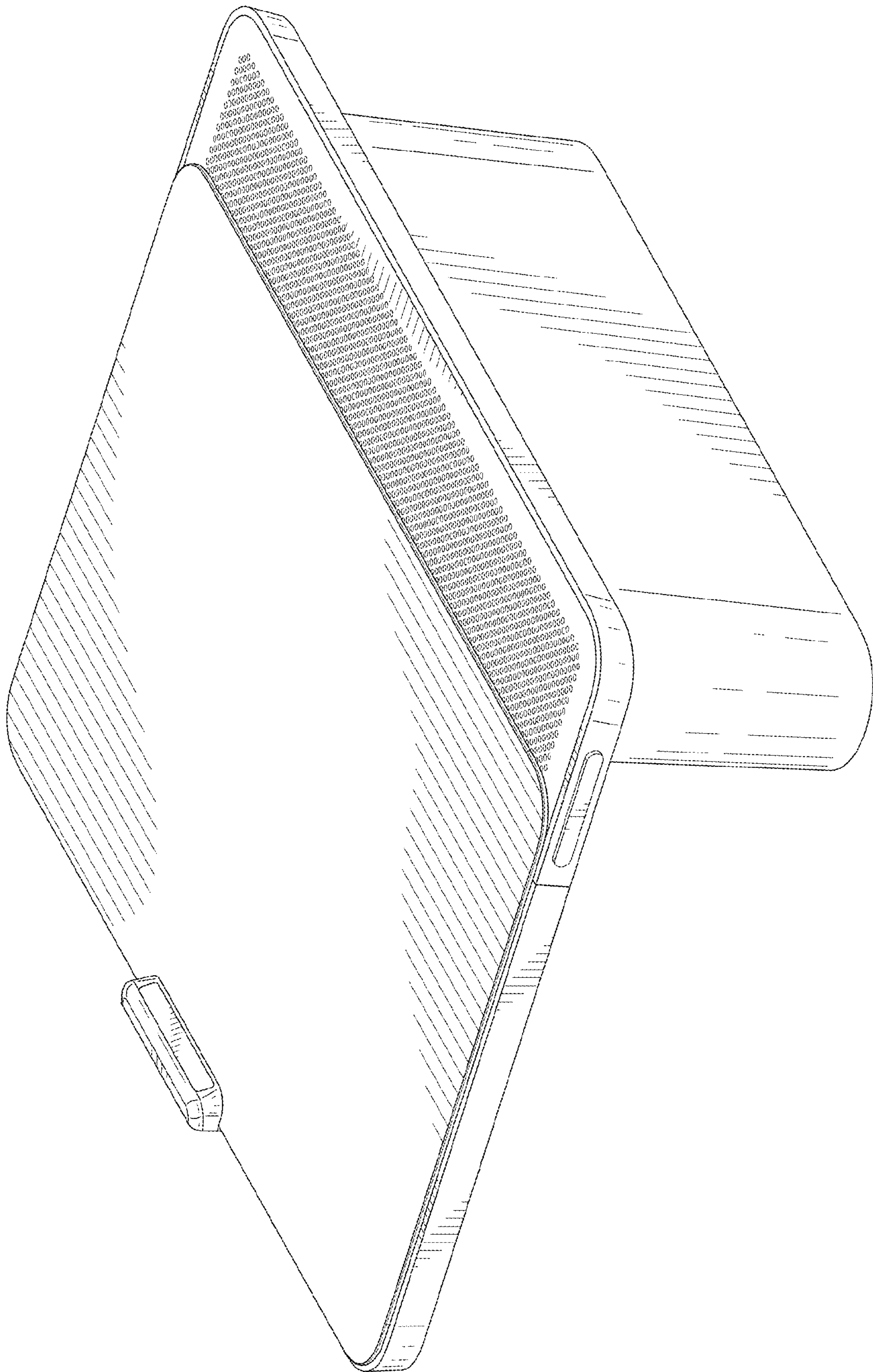


FIG. 1

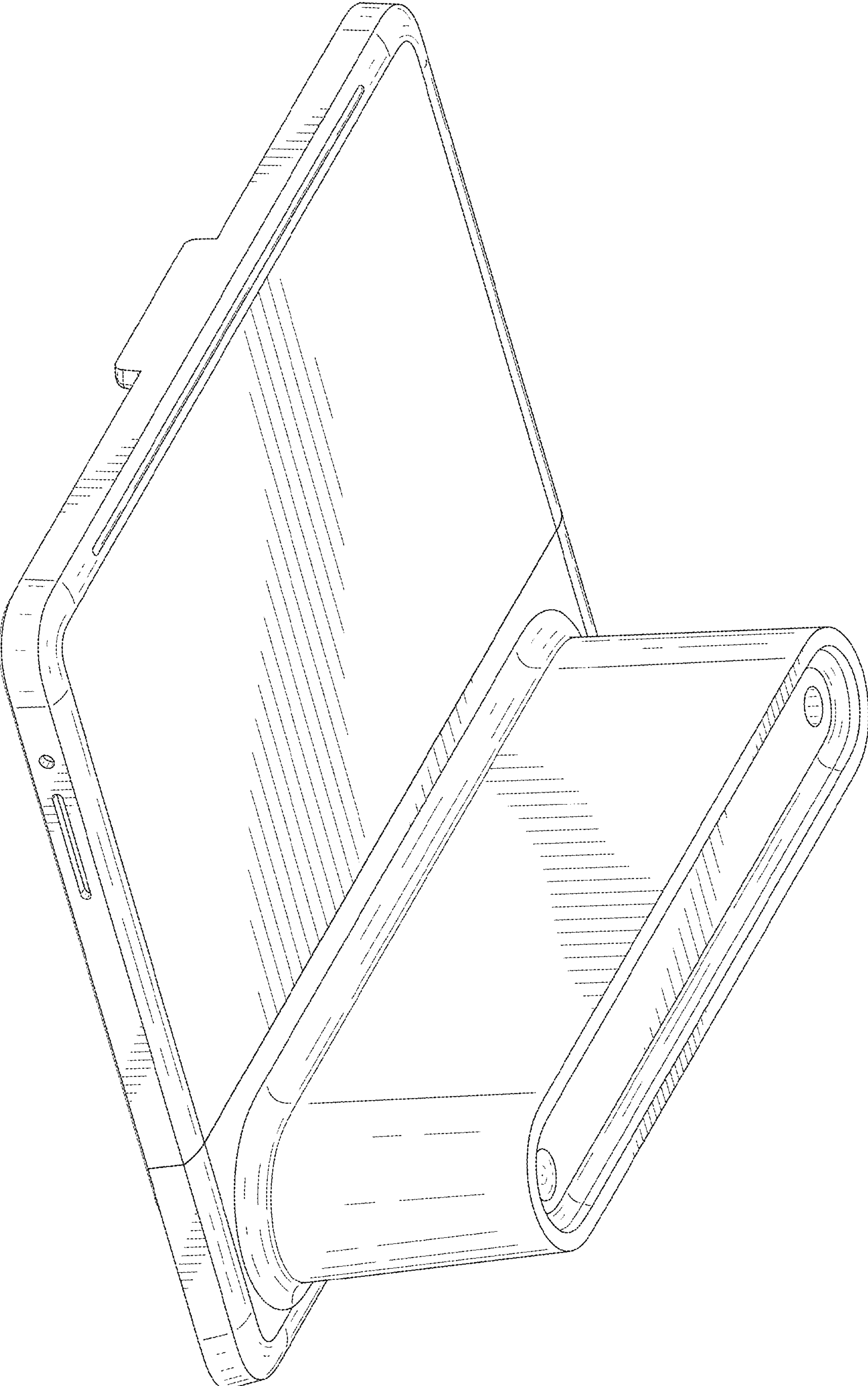


FIG. 2

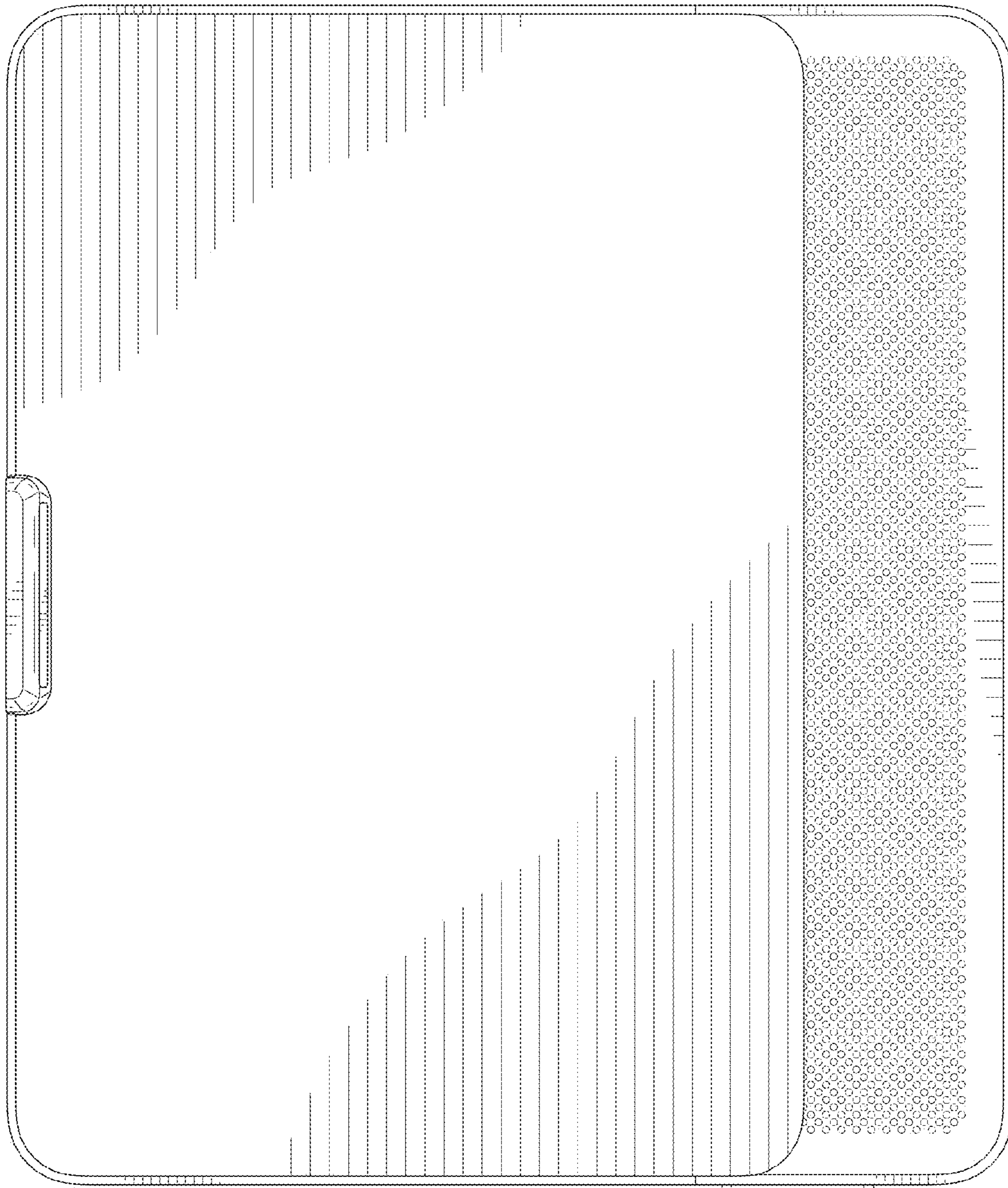


FIG. 3

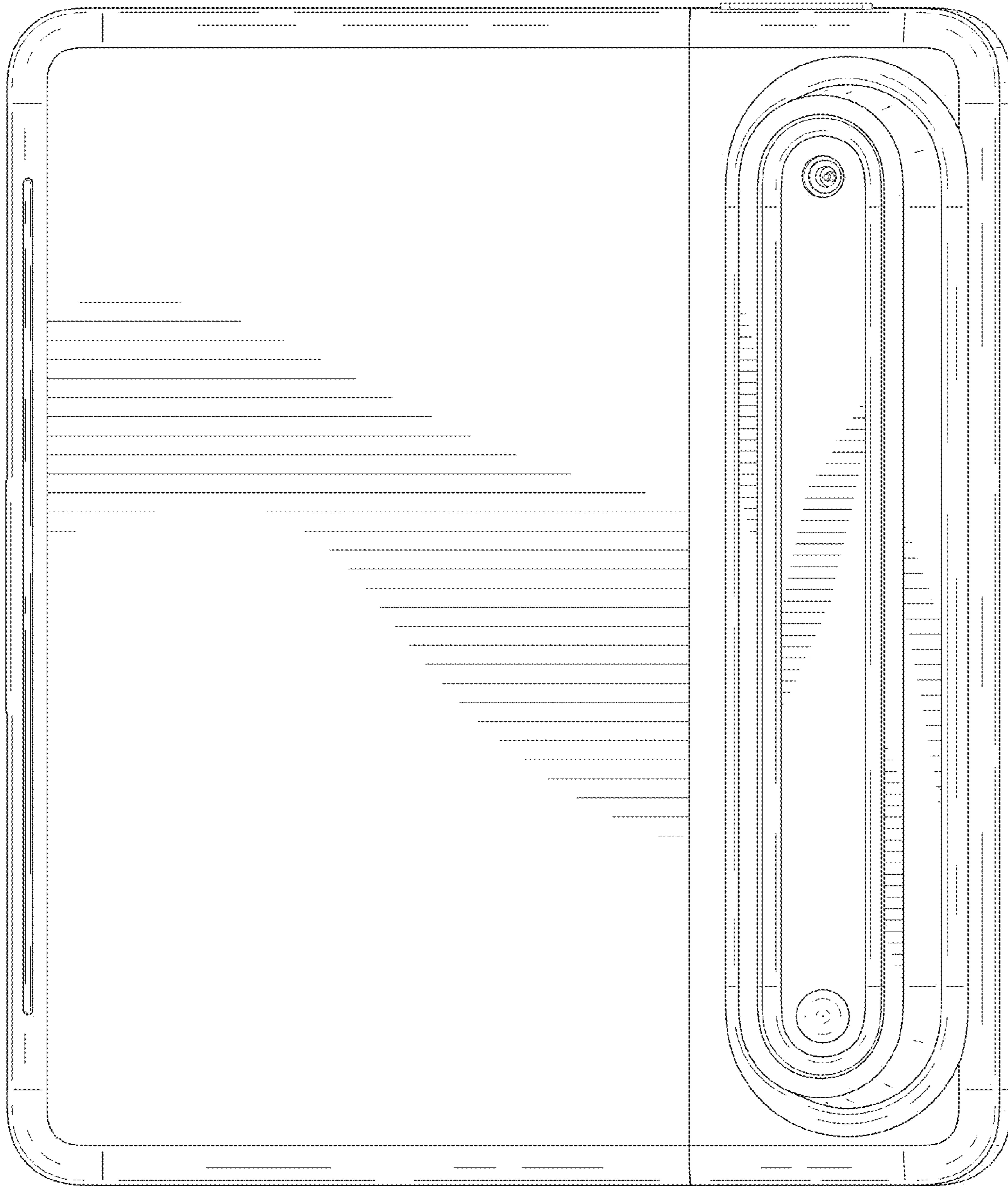


FIG. 4

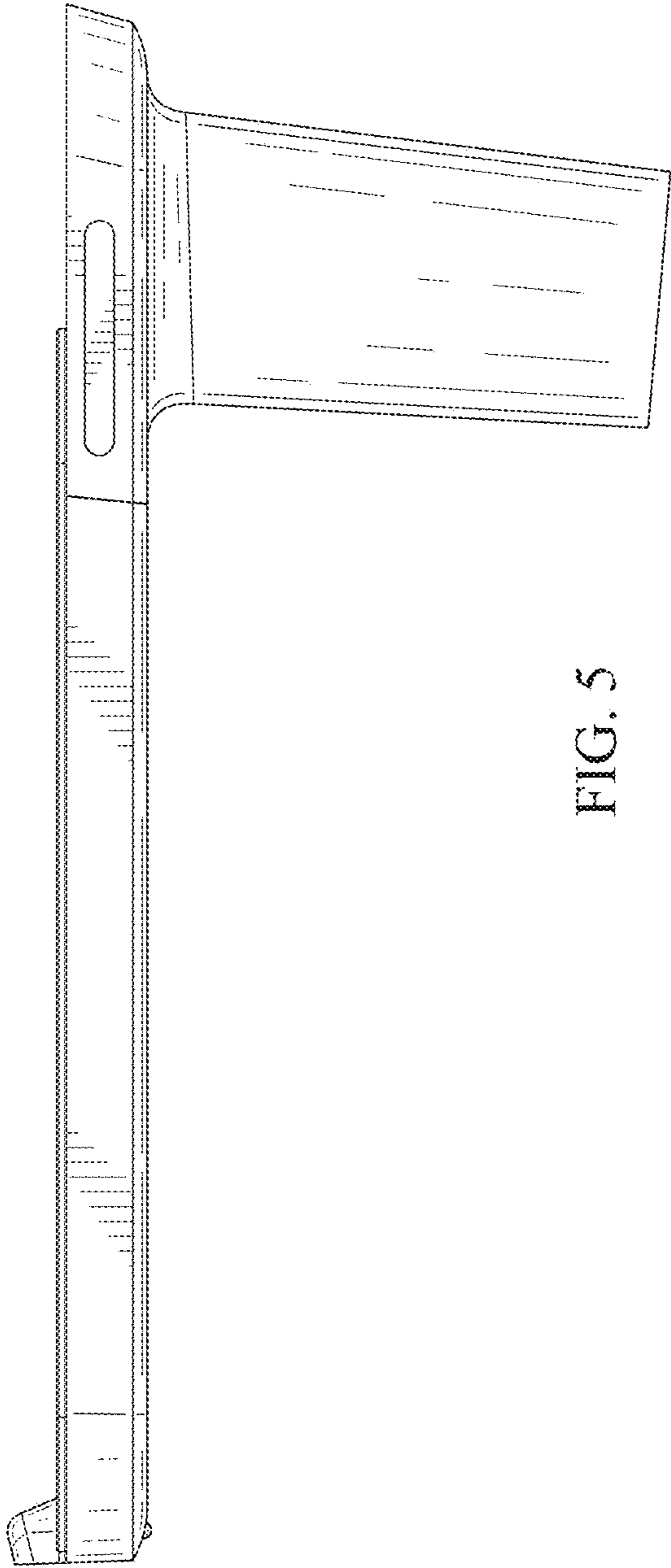


FIG. 5

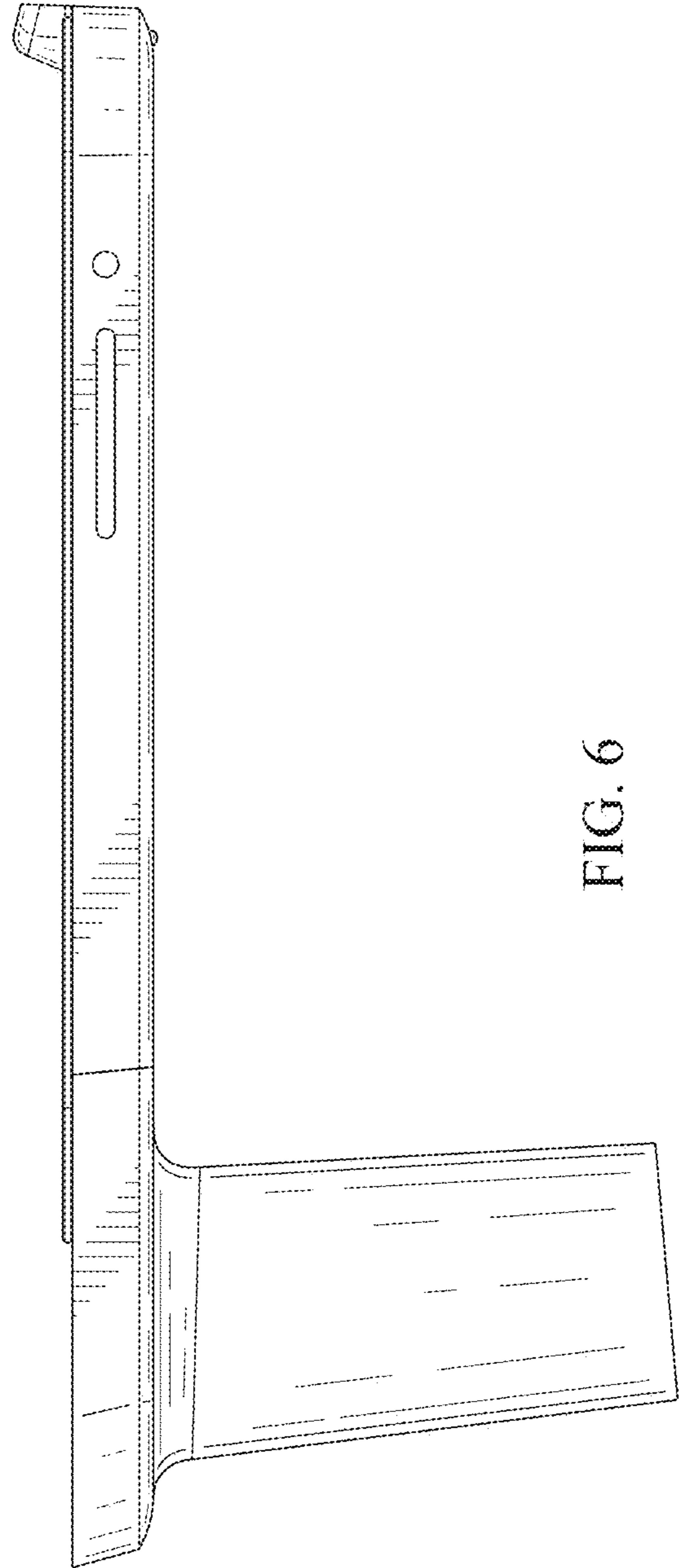


FIG. 6

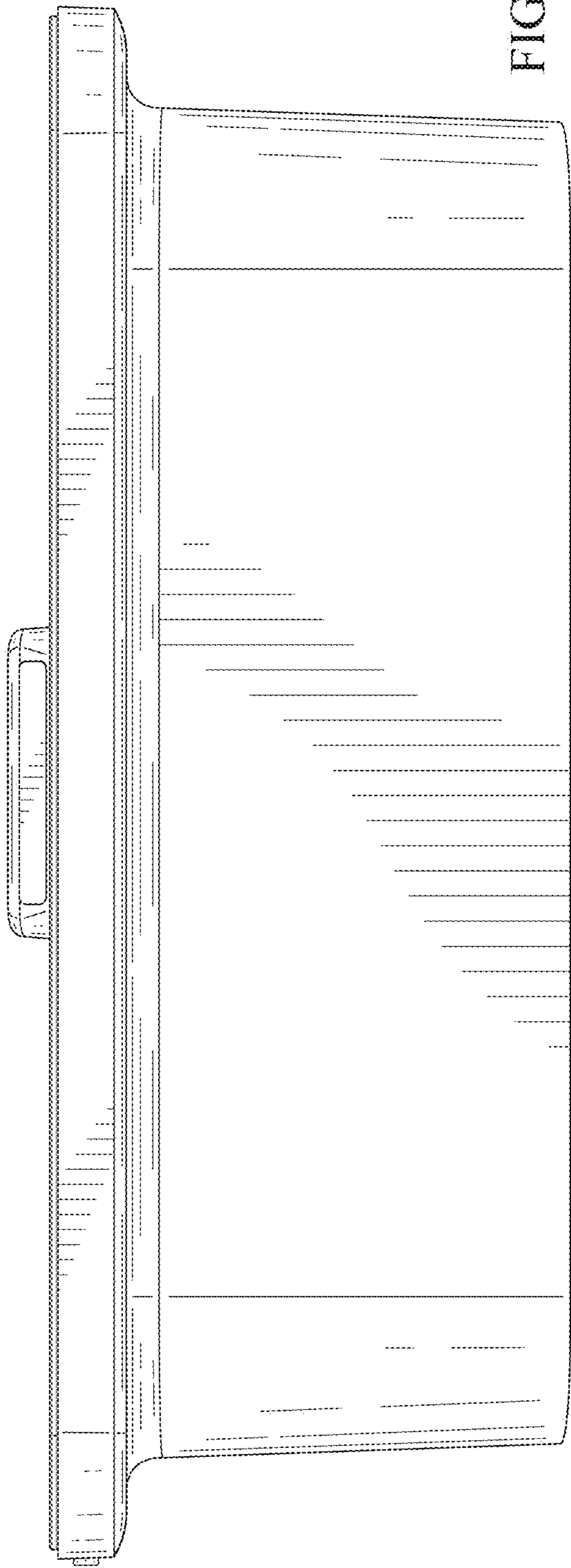


FIG. 7

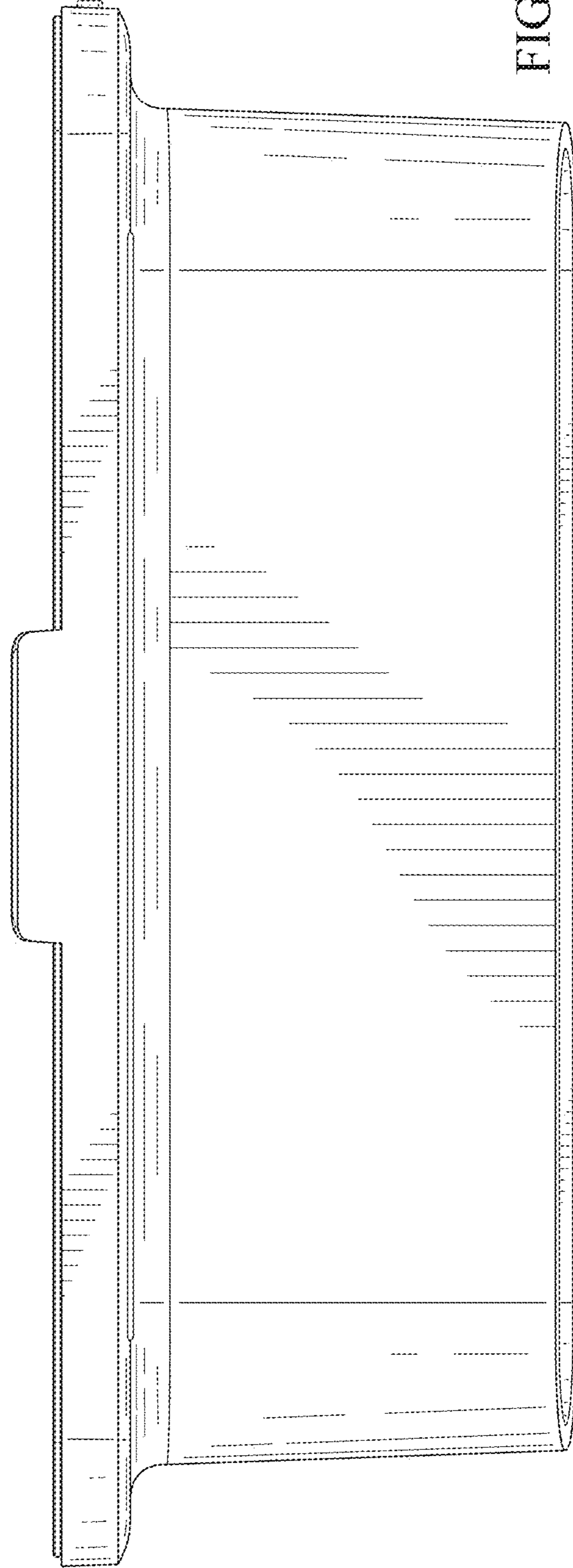


FIG. 8