



US00D907031S

(12) **United States Design Patent**
Fitzgerald et al.

(10) **Patent No.:** **US D907,031 S**
(45) **Date of Patent:** **** Jan. 5, 2021**

(54) **ELECTRONIC DEVICE**

DESCRIPTION

- (71) Applicant: **Intel Corporation**, Santa Clara, CA (US)
- (72) Inventors: **Quinn Fitzgerald**, San Francisco, CA (US); **Duck Young Kong**, Beaverton, OR (US); **Michael Hyde**, San Francisco, CA (US); **Jing Yao**, San Jose, CA (US); **William Duncan Webb, II**, Sausalito, CA (US)
- (73) Assignee: **Intel Corporation**, Santa Clara, CA (US)
- (**) Term: **15 Years**
- (21) Appl. No.: **29/626,613**
- (22) Filed: **Nov. 17, 2017**
- (51) **LOC (13) Cl.** **14-99**
- (52) **U.S. Cl.**
USPC **D14/299**
- (58) **Field of Classification Search**
USPC D14/167, 168, 170-172, 187, 188, D14/194-196, 204, 207, 209.1, 210-216,
(Continued)

(56) **References Cited**

U.S. PATENT DOCUMENTS

- D346,581 S * 5/1994 Tattari D13/103
 - D477,275 S * 7/2003 Wada D13/103
- (Continued)

Primary Examiner — Katie Jane Stofko

(74) *Attorney, Agent, or Firm* — Schwegman Lundberg & Woessner, P.A.

(57) **CLAIM**

The ornamental design for an electronic device, as shown and described.

FIG. 1 is a front view of an electronic device showing our new design, according to a first embodiment and illustrating a first operating configuration in which a lever is in a lowered position.

FIG. 2 is a rear view thereof, according to the first embodiment and illustrating the first operating configuration.

FIG. 3 is a right side view thereof, according to the first embodiment and illustrating the first operating configuration.

FIG. 4 is a left side view thereof, according to the first embodiment and illustrating the first operating configuration.

FIG. 5 is a top view thereof, according to the first embodiment and illustrating the first operating configuration.

FIG. 6 is a bottom view thereof, according to the first embodiment and illustrating the first operating configuration.

FIG. 7 is a top-front-left perspective view thereof, according to the first embodiment and illustrating the first operating configuration.

FIG. 8 is a bottom-rear-right perspective view thereof, according to the first embodiment and illustrating the first operating configuration.

FIG. 9 is a bottom-front-right perspective view thereof, according to the first embodiment and illustrating the first operating configuration.

FIG. 10 is a top-rear-left perspective view thereof, according to the first embodiment and illustrating the first operating configuration.

FIG. 11 is a front view thereof, according to the first embodiment and illustrating a second operating configuration in which the lever is in a raised position.

FIG. 12 is a rear view thereof, according to the first embodiment and illustrating the second operating configuration.

FIG. 13 is a right side view thereof, according to the first embodiment and illustrating the second operating configuration.

FIG. 14 is a left side view thereof, according to the first embodiment and illustrating the second operating configuration.

(Continued)

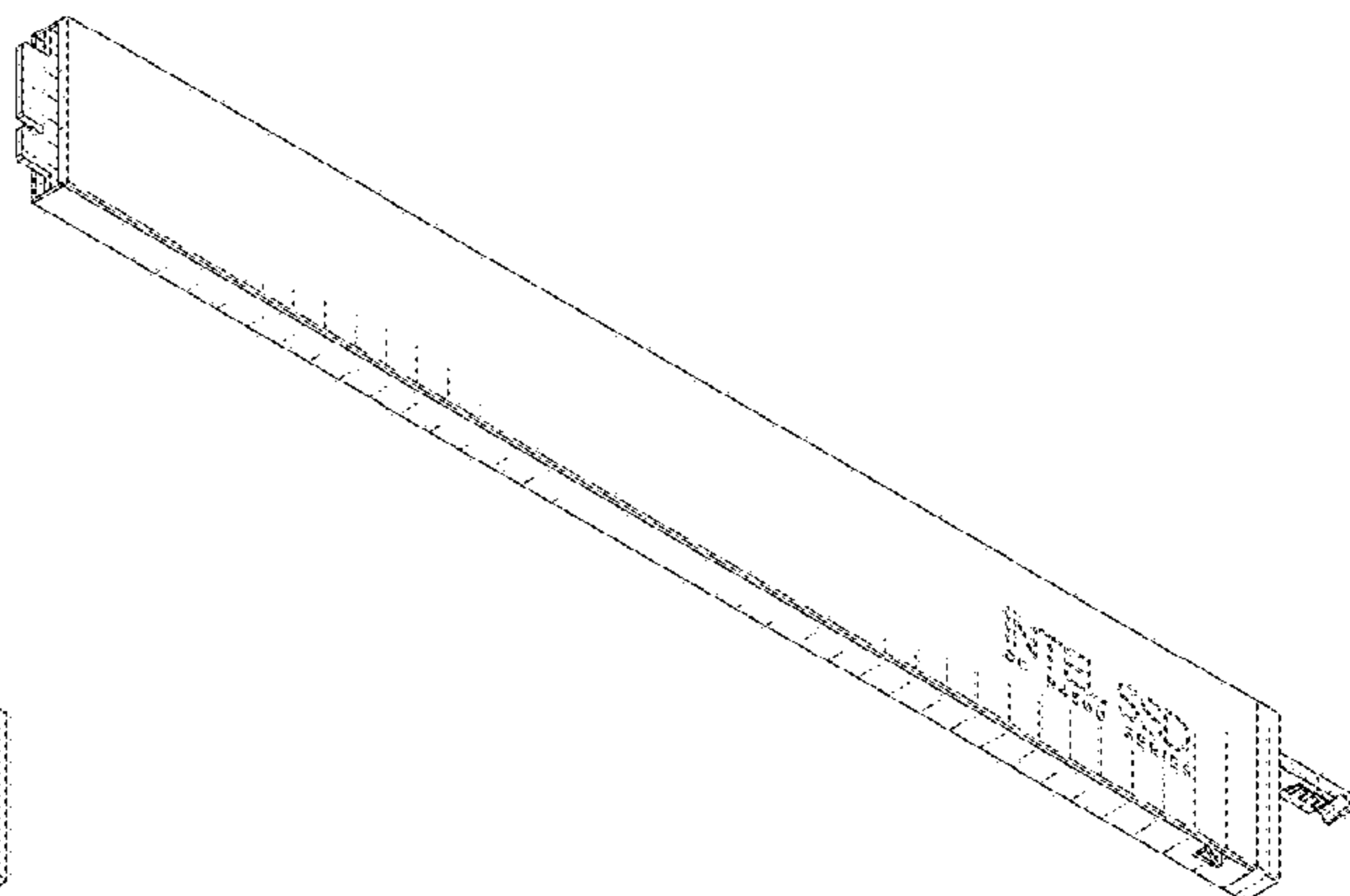
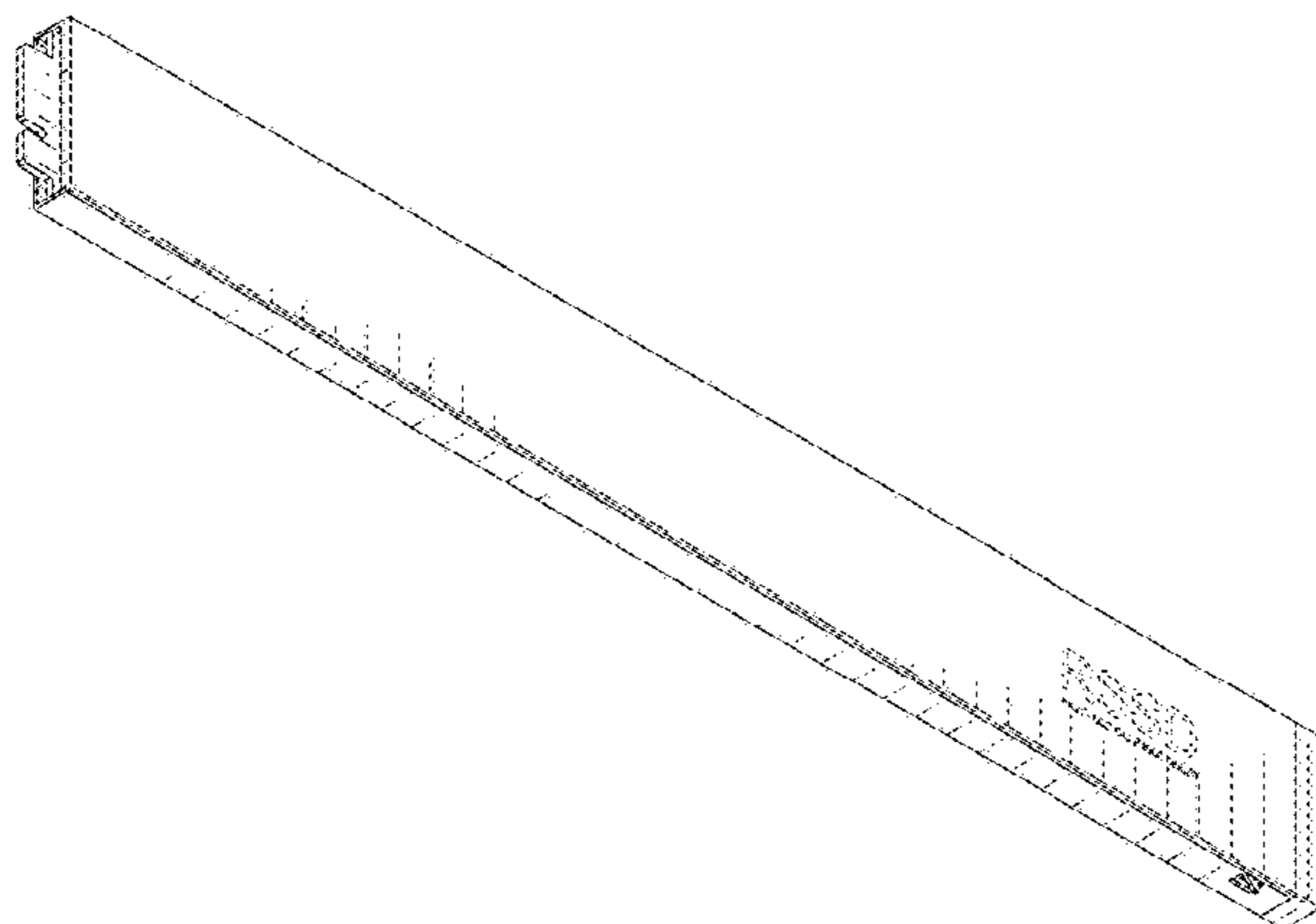


FIG. 15 is a top view thereof, according to the first embodiment and illustrating the second operating configuration.
 FIG. 16 is a bottom view thereof, according to the first embodiment and illustrating the second operating configuration.
 FIG. 17 is a top-front-left perspective view thereof, according to the first embodiment and illustrating the second operating configuration.
 FIG. 18 is a bottom-rear-right perspective view thereof, according to the first embodiment and illustrating the second operating configuration.
 FIG. 19 is a bottom-front-right perspective view thereof, according to the first embodiment and illustrating the second operating configuration.
 FIG. 20 is a top-rear-left perspective view thereof, according to the first embodiment and illustrating the second operating configuration.
 FIG. 21 is a front view thereof, according to a second embodiment.
 FIG. 22 is a rear view thereof, according to the second embodiment.
 FIG. 23 is a right side view thereof, according to the second embodiment.
 FIG. 24 is a left side view thereof, according to the second embodiment.
 FIG. 25 is a top view thereof, according to the second embodiment.
 FIG. 26 is a bottom view thereof, according to the second embodiment.
 FIG. 27 is a top-front-left perspective view thereof, according to the second embodiment.
 FIG. 28 is a bottom-rear-right perspective view thereof, according to the second embodiment.
 FIG. 29 is a bottom-front-right perspective view thereof, according to the second embodiment.
 FIG. 30 is a top-rear-left perspective view thereof, according to the second embodiment.
 FIG. 31 is a front view thereof, according to a third embodiment.
 FIG. 32 is a rear view thereof, according to the third embodiment.
 FIG. 33 is a right side view thereof, according to the third embodiment.
 FIG. 34 is a left side view thereof, according to the third embodiment.
 FIG. 35 is a top view thereof, according to the third embodiment.
 FIG. 36 is a bottom view thereof, according to the third embodiment.
 FIG. 37 is a top-front-left perspective view thereof, according to the third embodiment.
 FIG. 38 is a bottom-rear-right perspective view thereof, according to the third embodiment.
 FIG. 39 is a bottom-front-right perspective view thereof, according to the third embodiment.
 FIG. 40 is a top-rear-left perspective view thereof, according to the third embodiment.
 FIG. 41 is a front view thereof, according to a fourth embodiment.

FIG. 42 is a rear view thereof, according to the fourth embodiment.
 FIG. 43 is a right side view thereof, according to the fourth embodiment.
 FIG. 44 is a left side view thereof, according to the fourth embodiment.
 FIG. 45 is a top view thereof, according to the fourth embodiment.
 FIG. 46 is a bottom view thereof, according to the fourth embodiment.
 FIG. 47 is a top-front-left perspective view thereof, according to the fourth embodiment.
 FIG. 48 is a bottom-rear-right perspective view thereof, according to the fourth embodiment.
 FIG. 49 is a bottom-front-right perspective view thereof, according to the fourth embodiment; and,
 FIG. 50 is a top-rear-left perspective view thereof, according to the fourth embodiment.
 The broken lines in the drawings illustrate portions of the electronic device that form no part of the claimed design.
 The shade lines show surface contour and not surface ornamentation.

1 Claim, 30 Drawing Sheets

(58) **Field of Classification Search**

USPC D14/219, 221, 222, 224, 239, 496;
 181/143, 144, 147, 148, 150, 153, 157,
 181/198, 199; 381/300–303, 306, 332,
 381/333, 336, 345, 361–364, 386–388;
 369/6–12
 CPC B60R 11/0217; G06F 1/1688; G10K 9/22;
 G10K 11/004; H03F 1/327; H04M 1/03;
 H04M 1/035; H04N 5/642; H04N
 21/4852; H04R 1/02; H04R 1/06; H04R
 1/021; H04R 1/025; H04R 1/026; H04R
 1/028; H04R 1/105; H04R 1/323; H04R
 1/403; H04R 1/2803; H04R 1/2834;
 H04R 5/02; H04R 7/20; H04R 9/06;
 H04R 9/025; H04R 2201/021; H04R
 2400/00; H04R 2201/07; H04R 2499/11;
 H04R 2499/13; H04R 2499/15; H04S
 3/00; H04S 7/30

See application file for complete search history.

(56) **References Cited**

U.S. PATENT DOCUMENTS

D537,069	S	*	2/2007	Ishibashi	D14/211
D644,625	S	*	9/2011	Iseki	D14/206
D703,194	S	*	4/2014	Jacobs	D14/225
D766,873	S	*	9/2016	Washio	D14/214
D789,923	S	*	6/2017	Magi	D14/126
D800,694	S	*	10/2017	Sugiura	D14/214
D817,308	S	*	5/2018	Sugiura	D14/214
D818,977	S	*	5/2018	Kim	D14/126
D827,610	S	*	9/2018	Kim	D14/214
D849,717	S	*	5/2019	Kim	D14/215
D866,558	S	*	11/2019	Shim	D14/435

* cited by examiner



FIG. 1

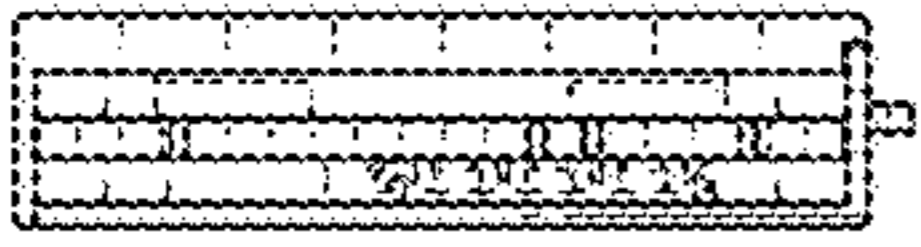


FIG. 2

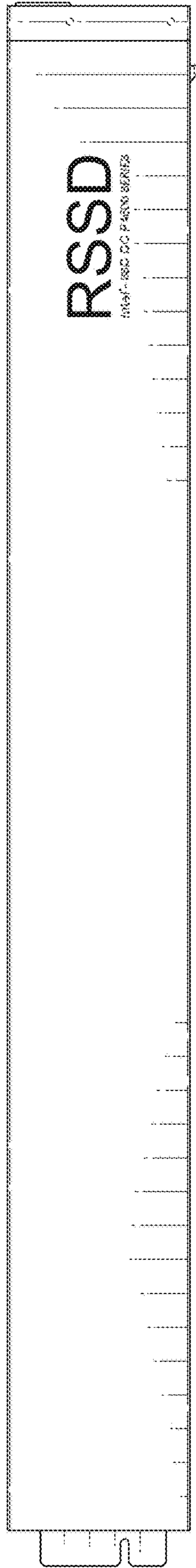


FIG. 3

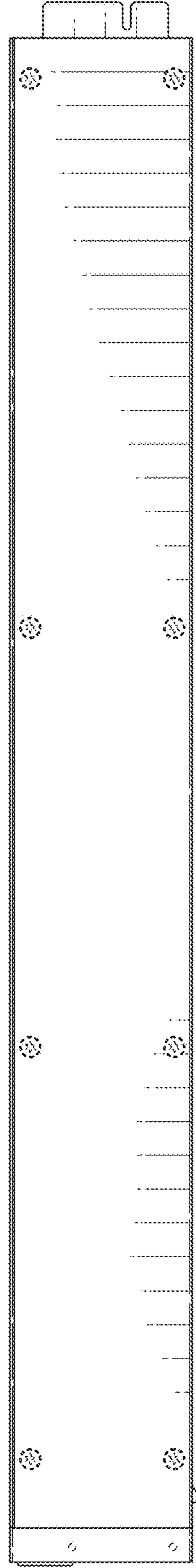


FIG. 4

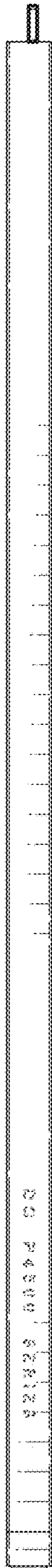


FIG. 5

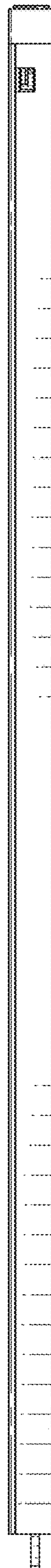


FIG. 6

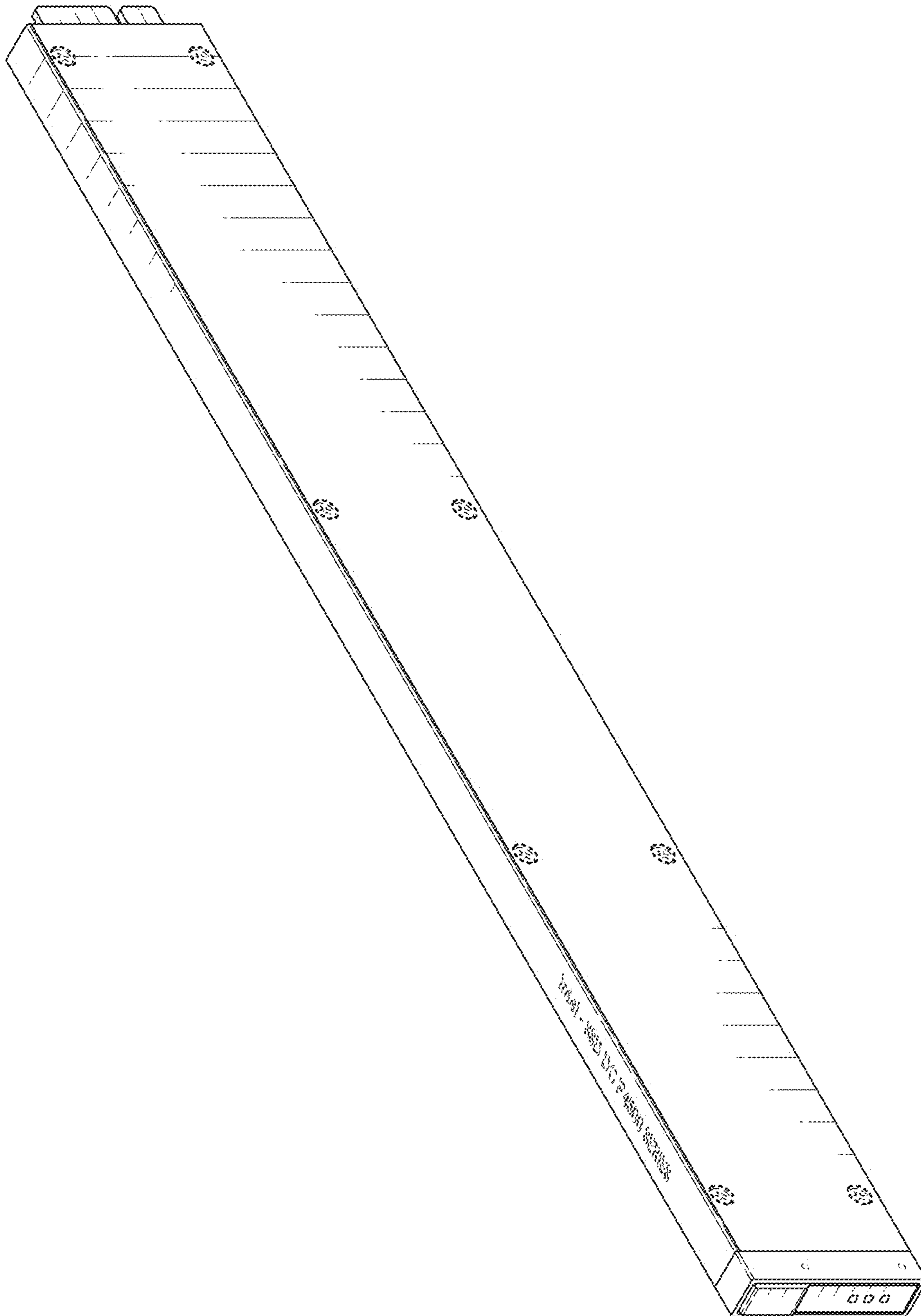


FIG. 7

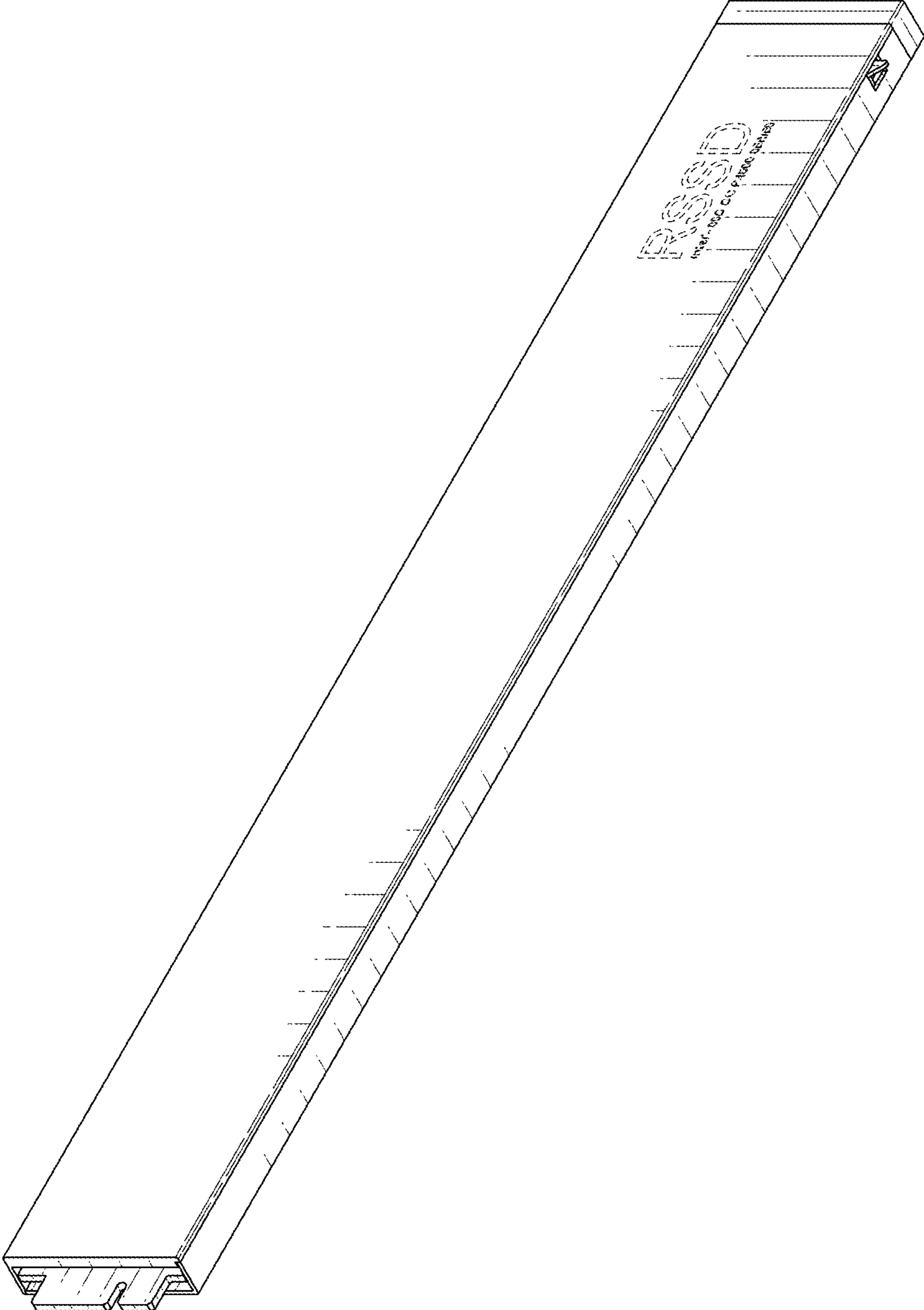


FIG. 8

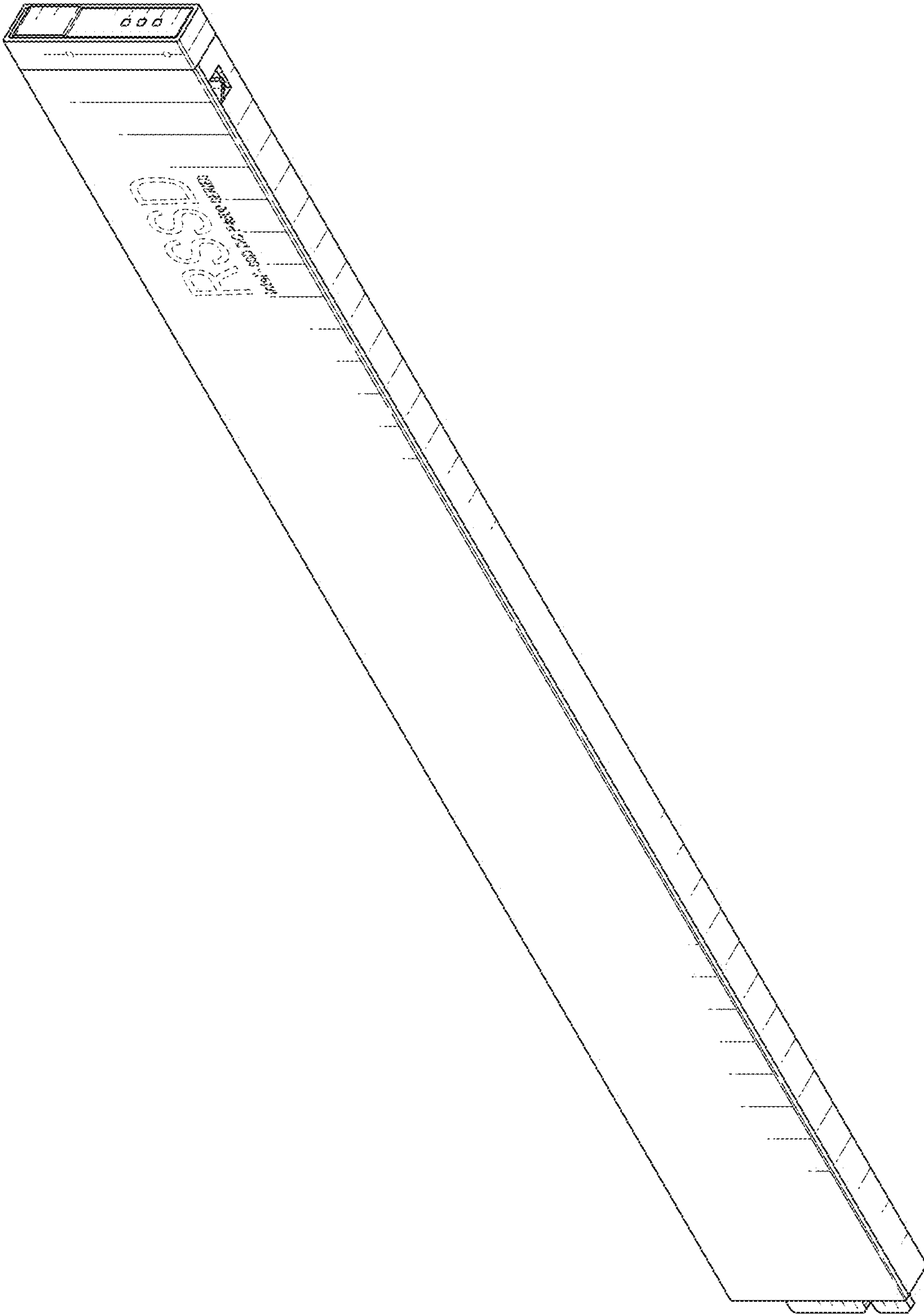


FIG. 9

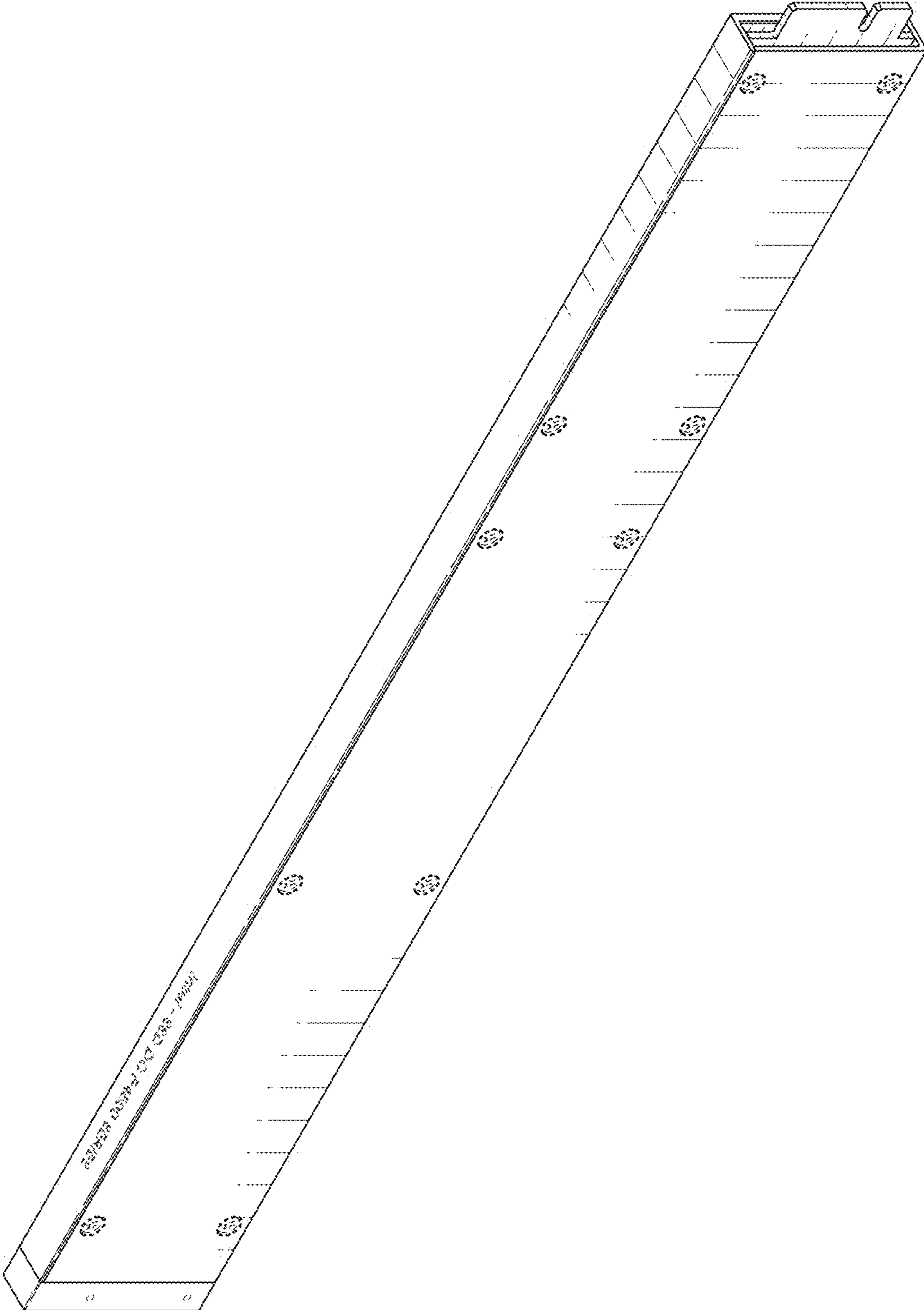


FIG. 10

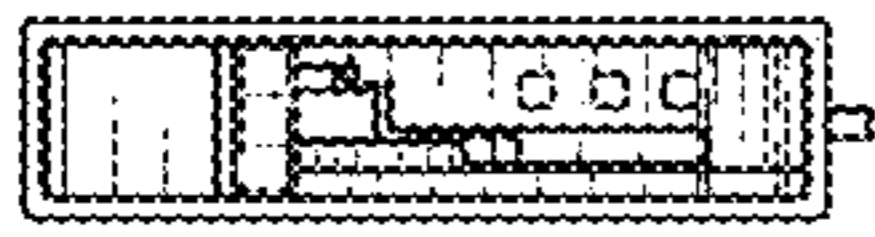


FIG. 11

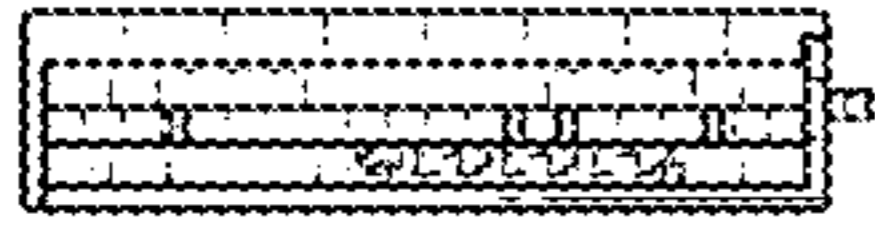


FIG. 12

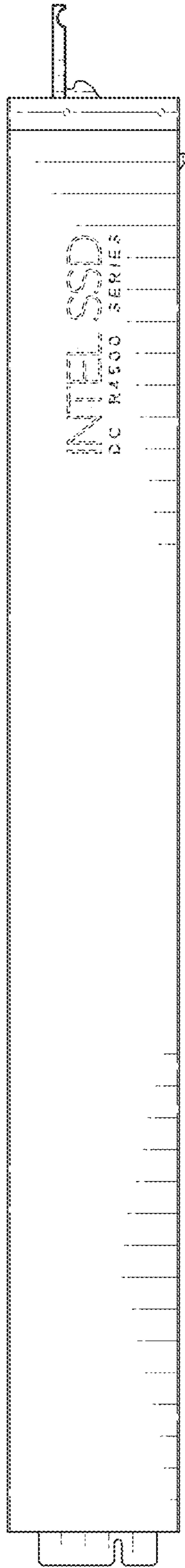


FIG. 13

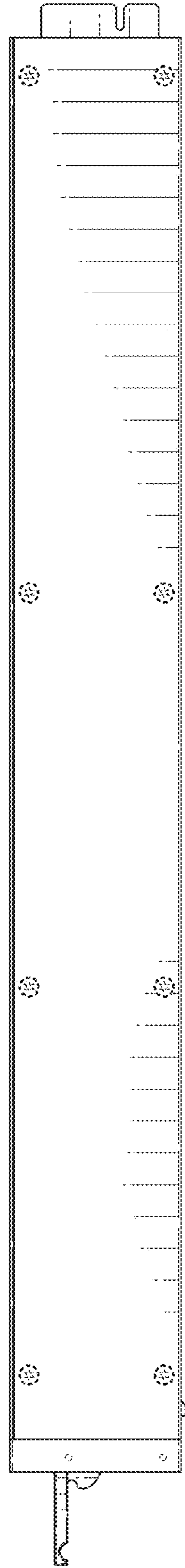


FIG. 14

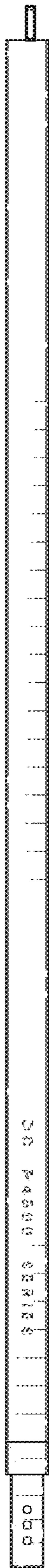


FIG. 15

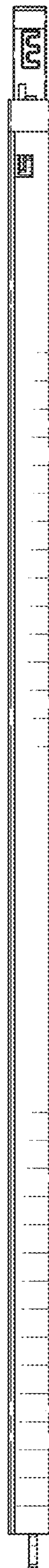


FIG. 16

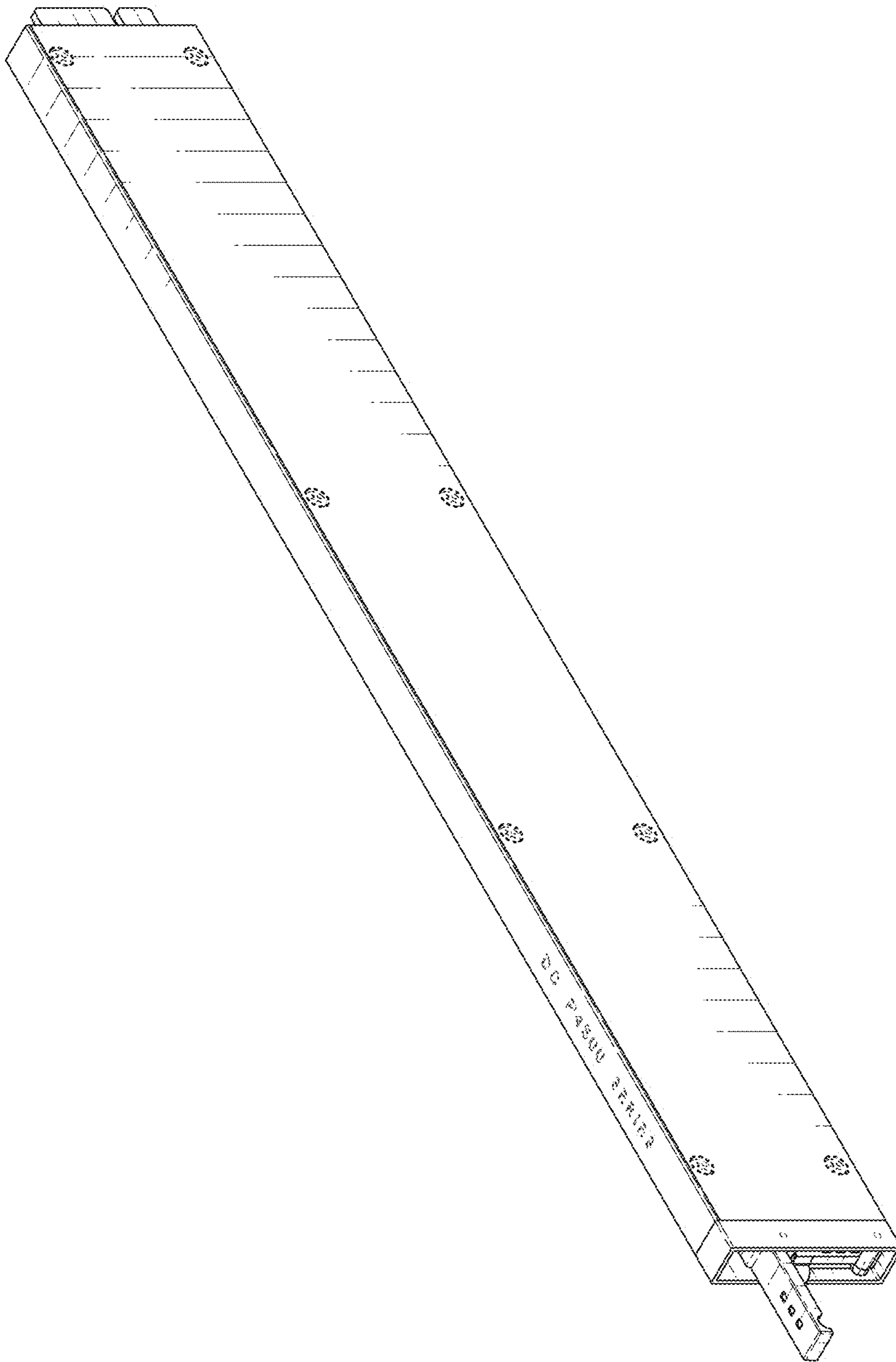


FIG. 17

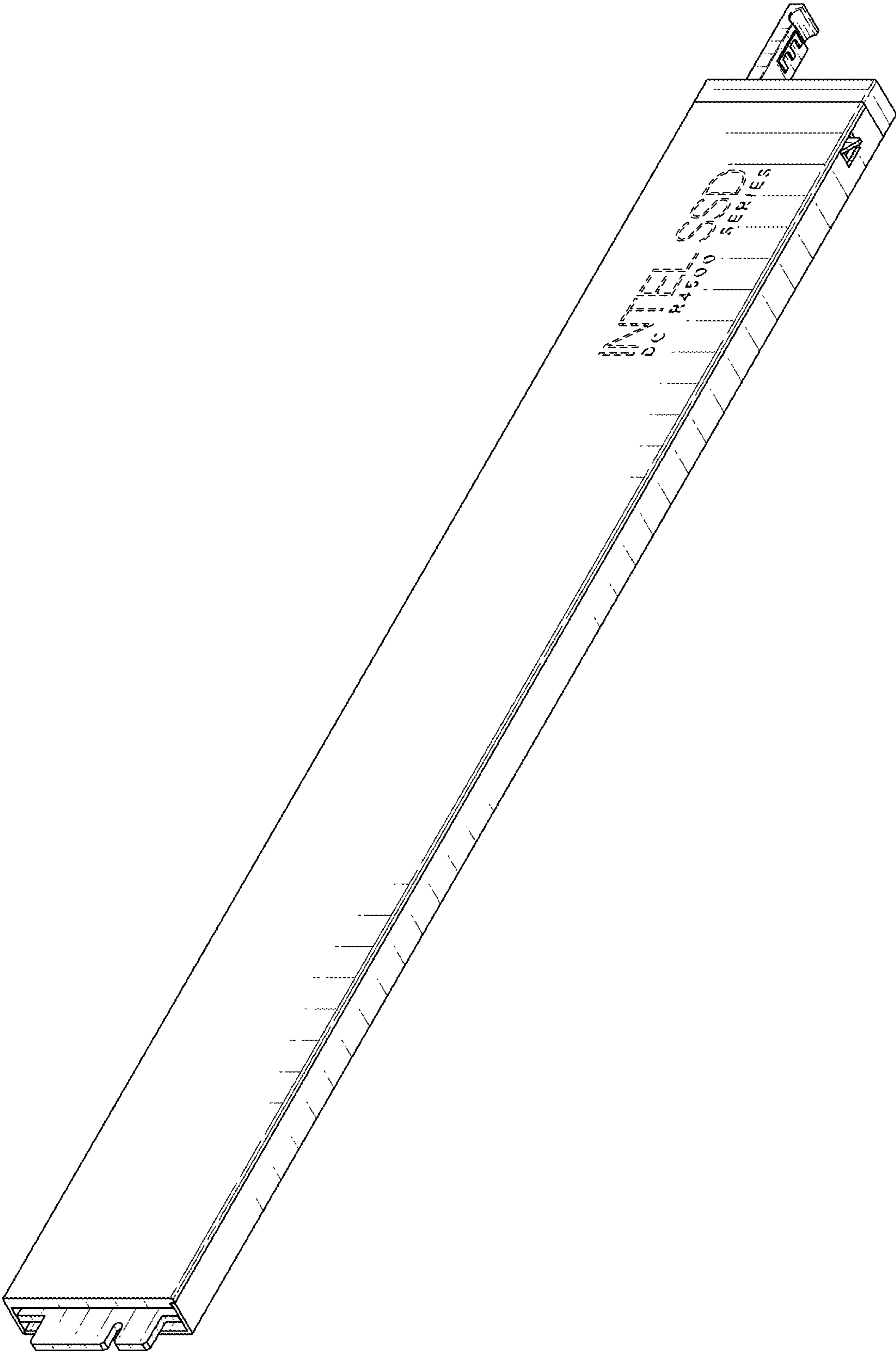


FIG. 18

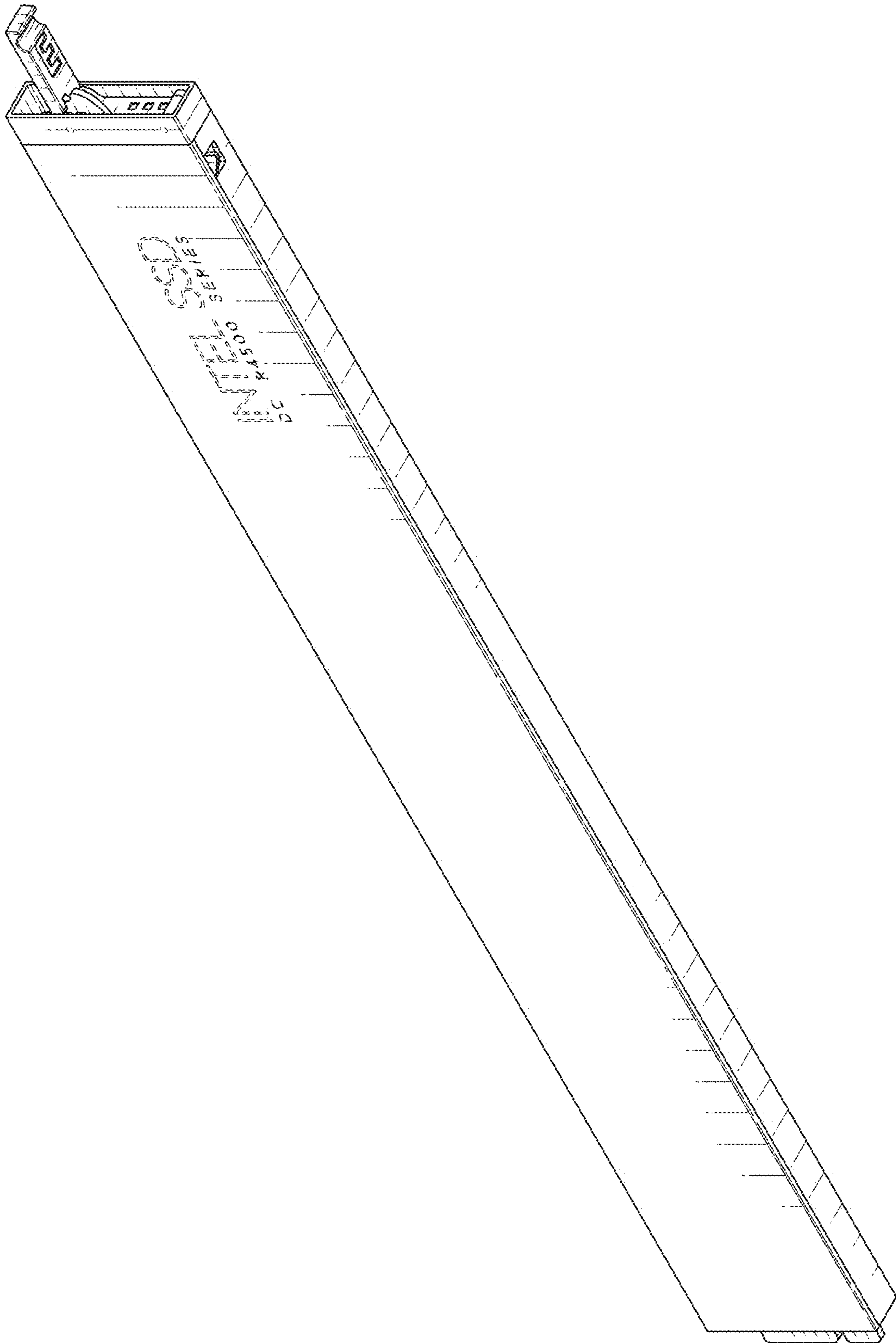


FIG. 19

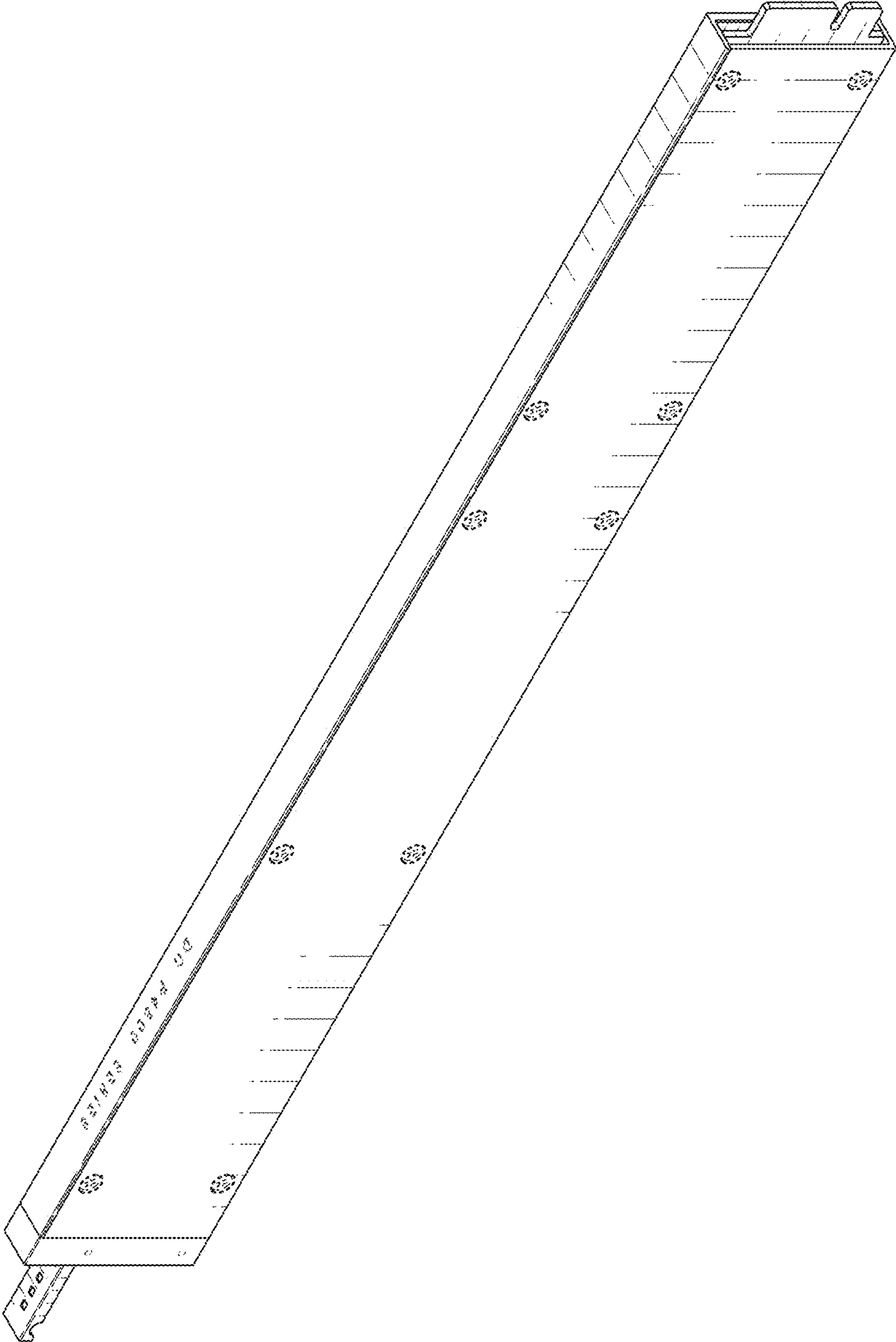


FIG. 20

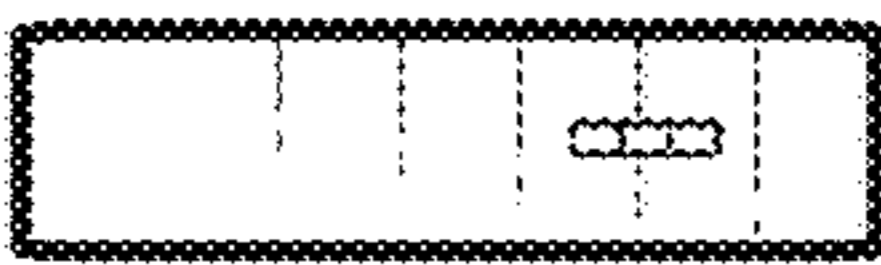


FIG. 21

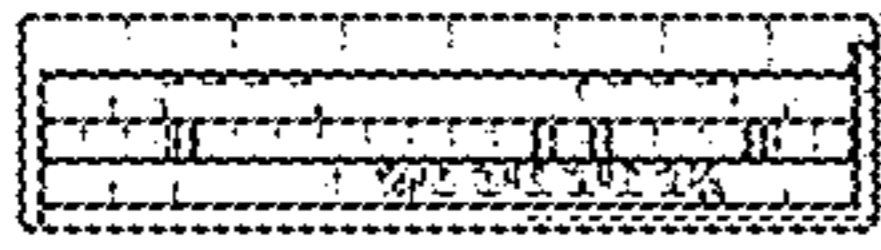


FIG. 22

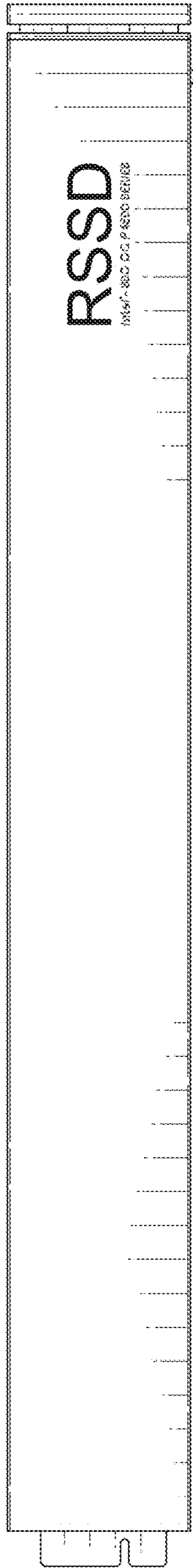


FIG. 23

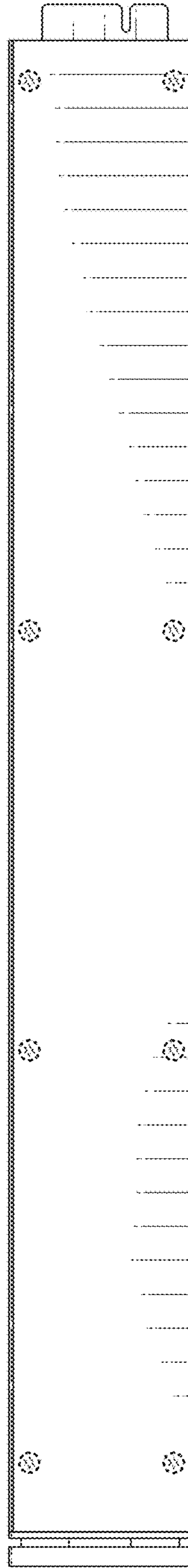


FIG. 24



FIG. 25



FIG. 26

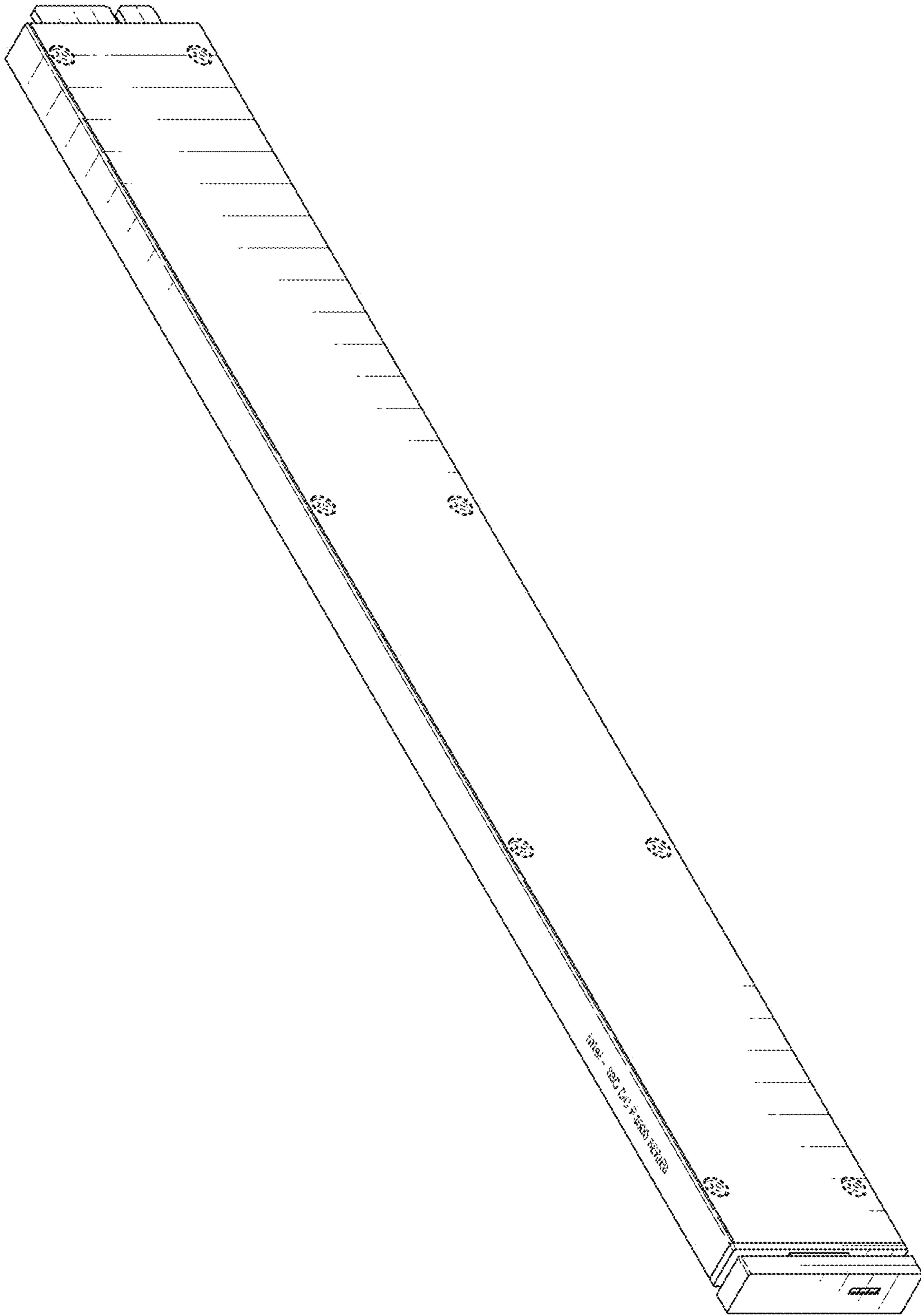


FIG. 27

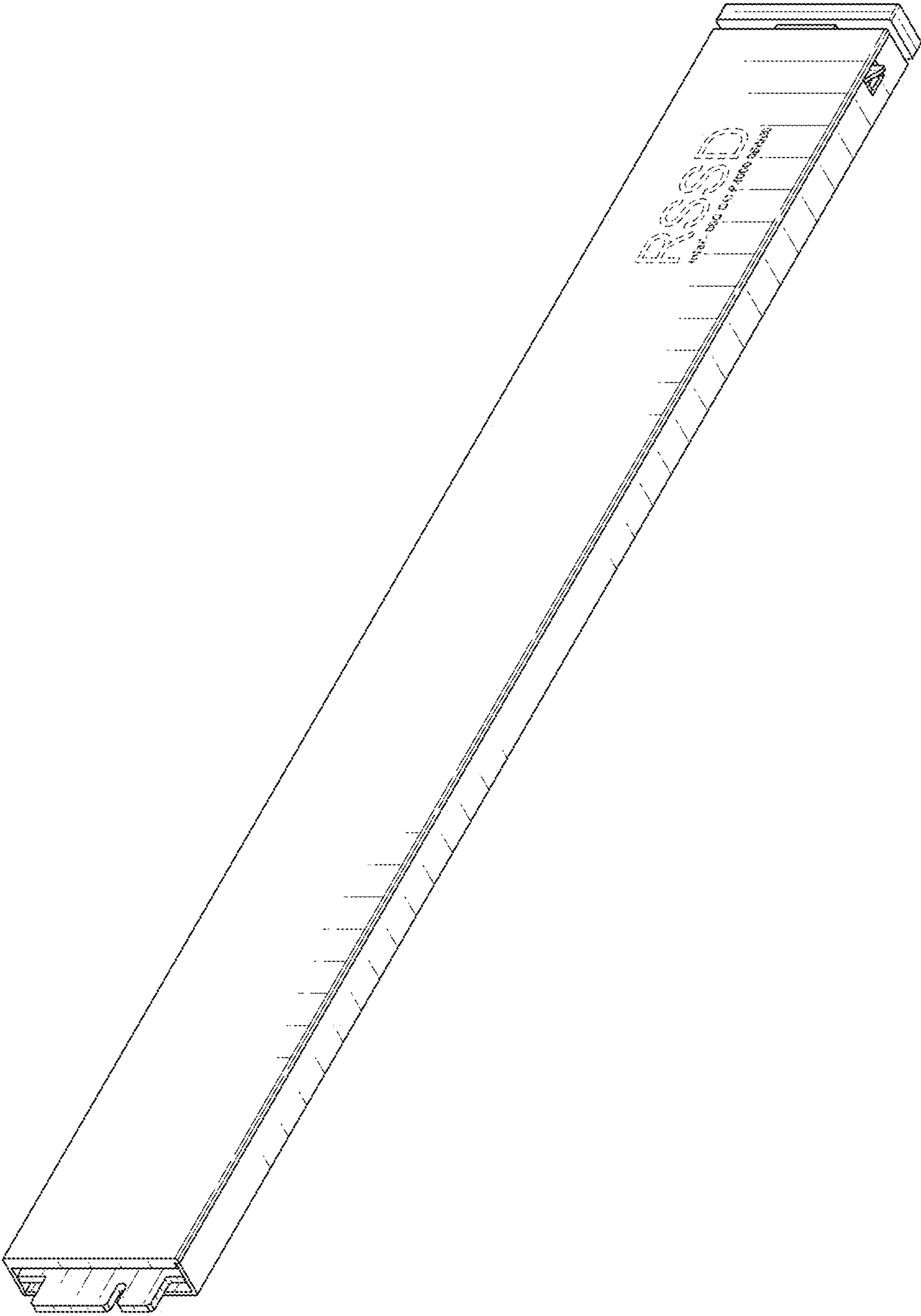


FIG. 28

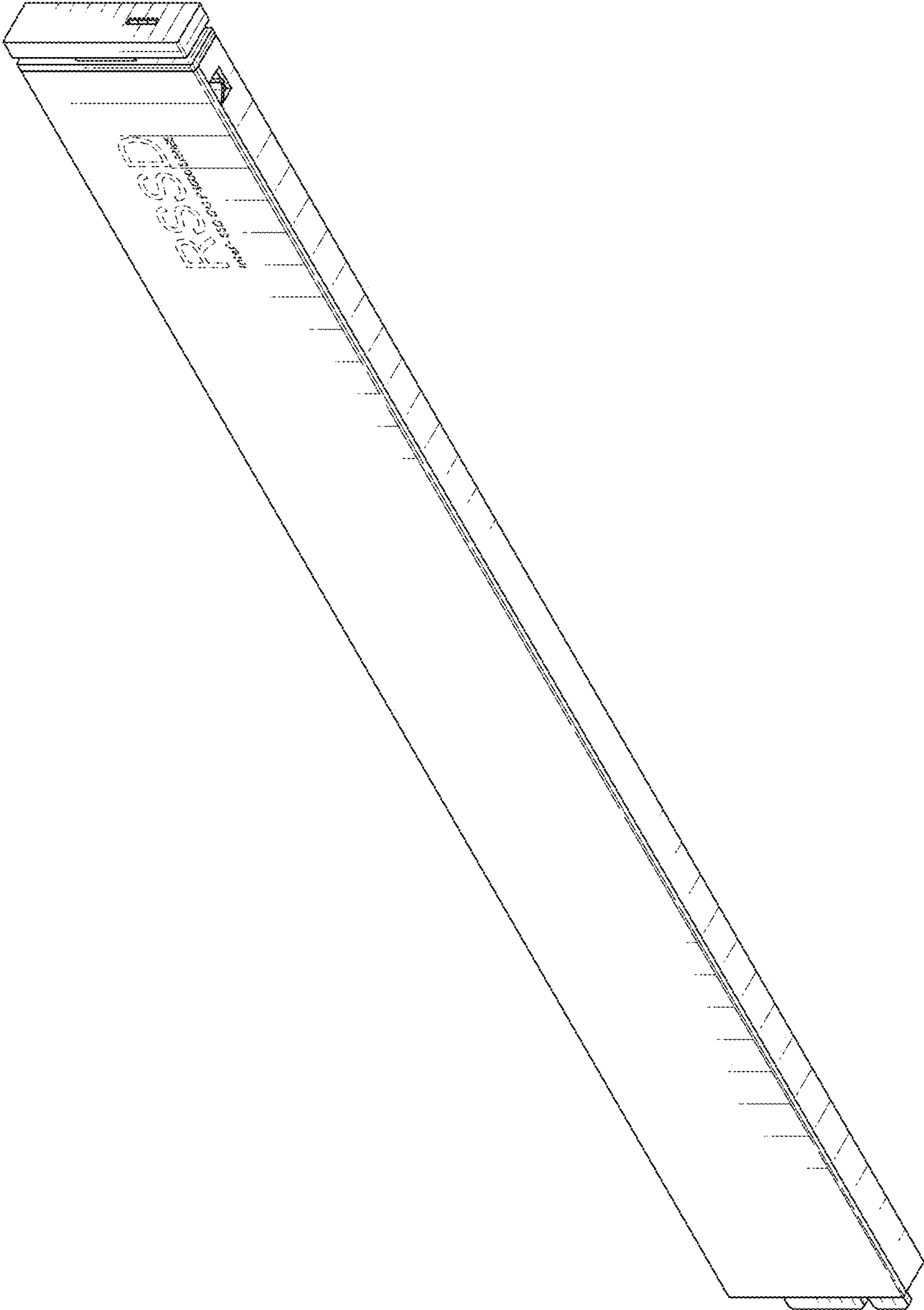


FIG. 29

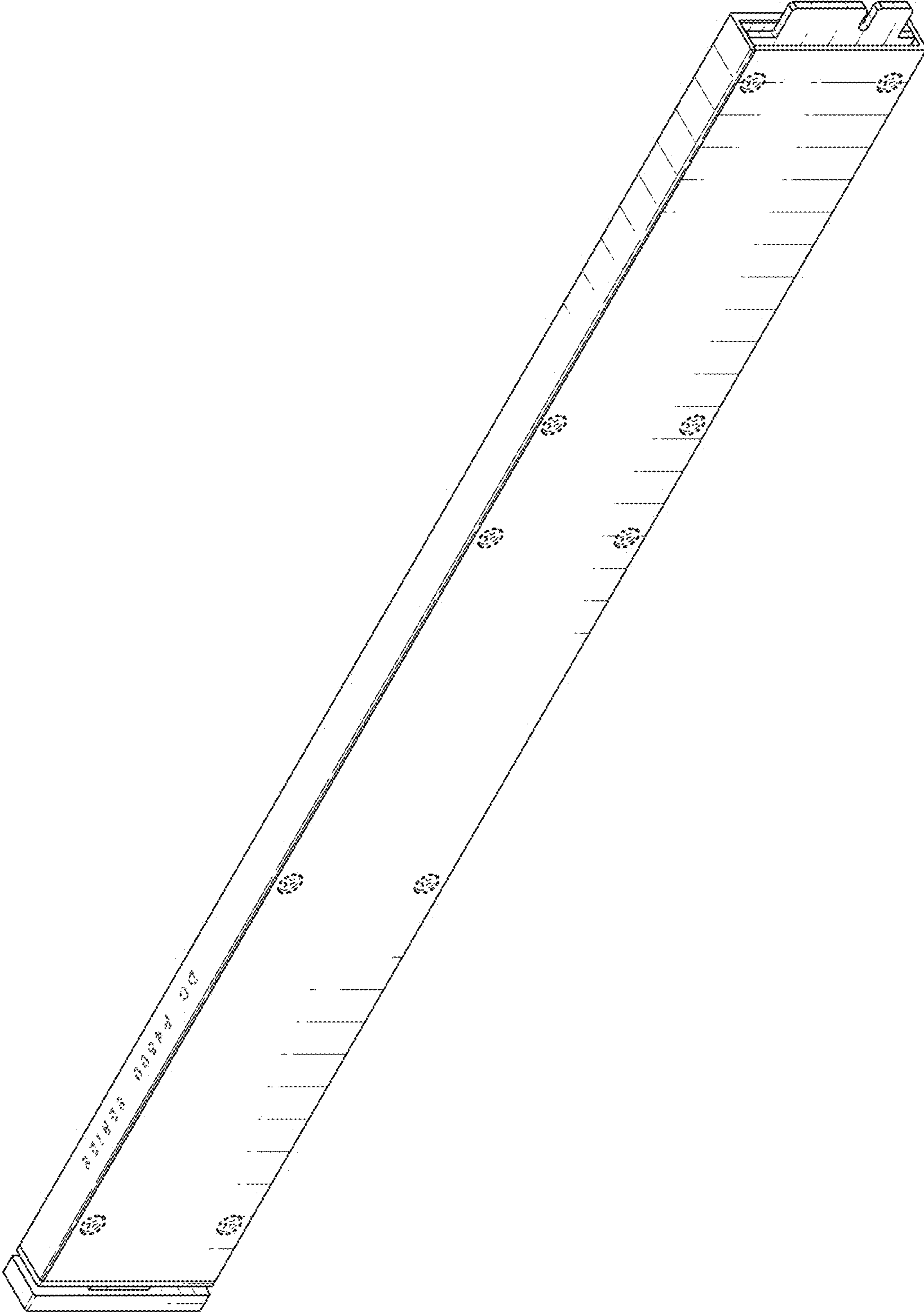


FIG. 30



FIG. 31

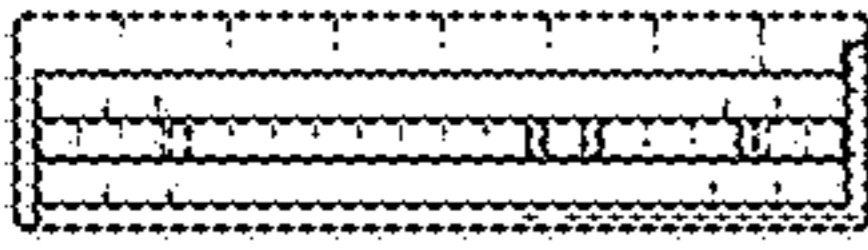


FIG. 32

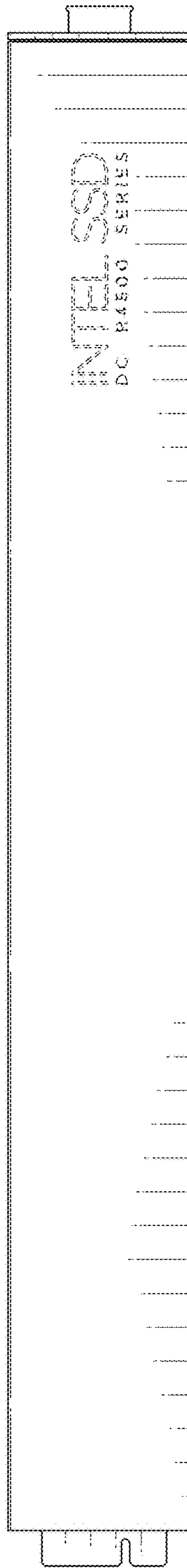


FIG. 33

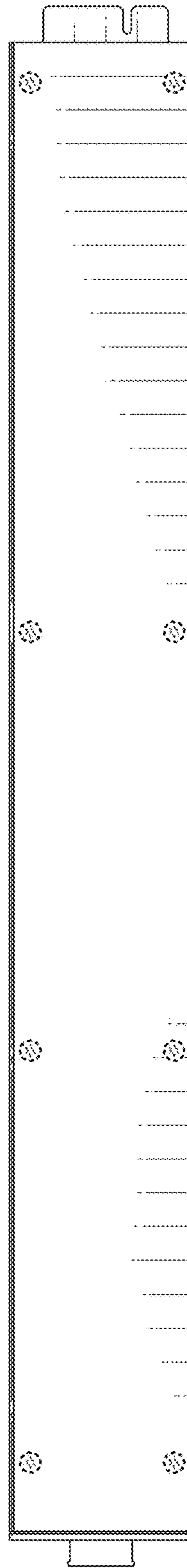


FIG. 34

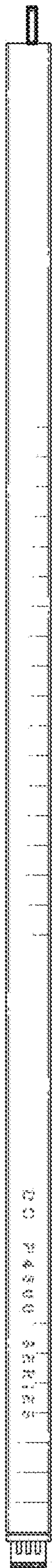


FIG. 35



FIG. 36

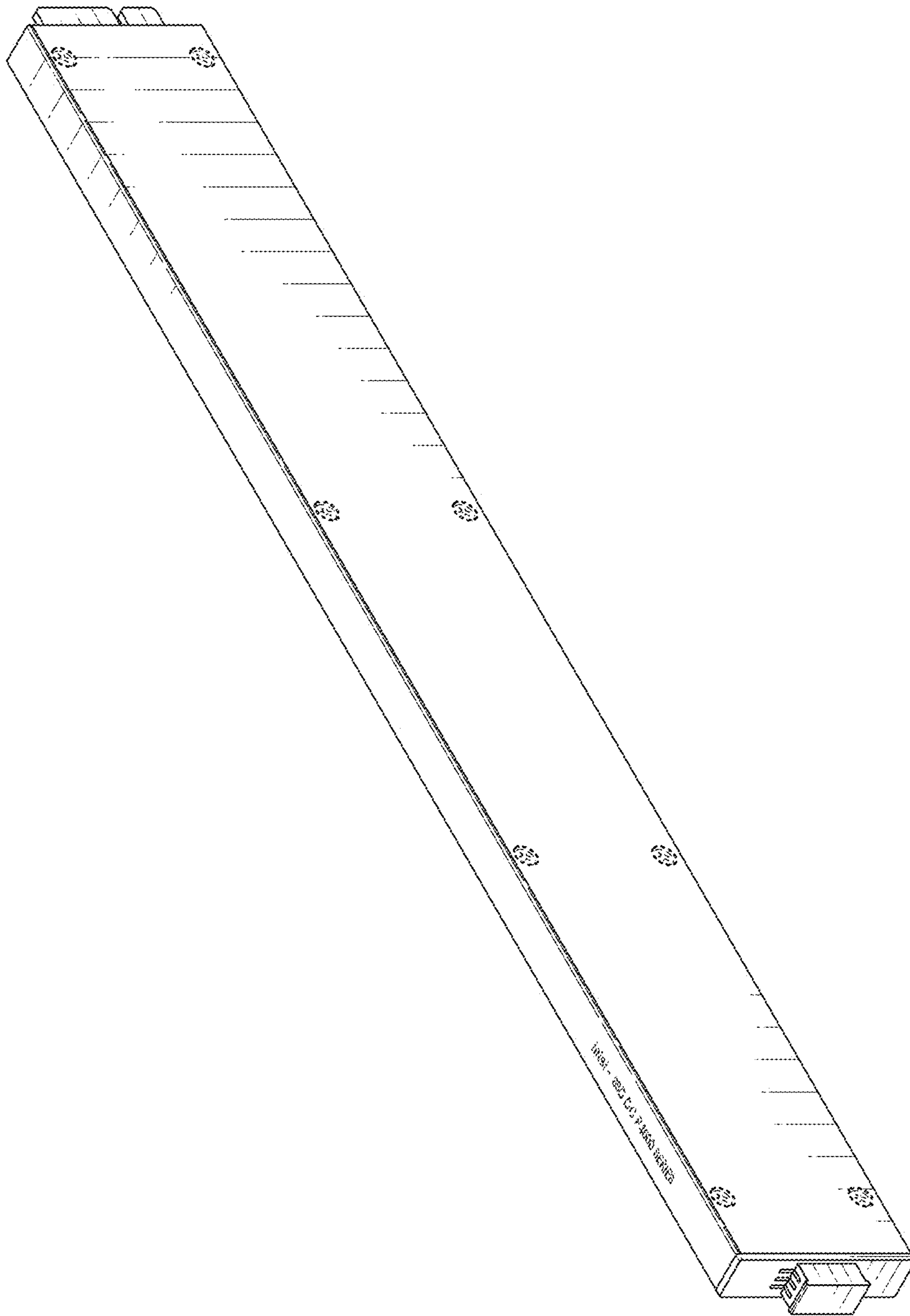


FIG. 37

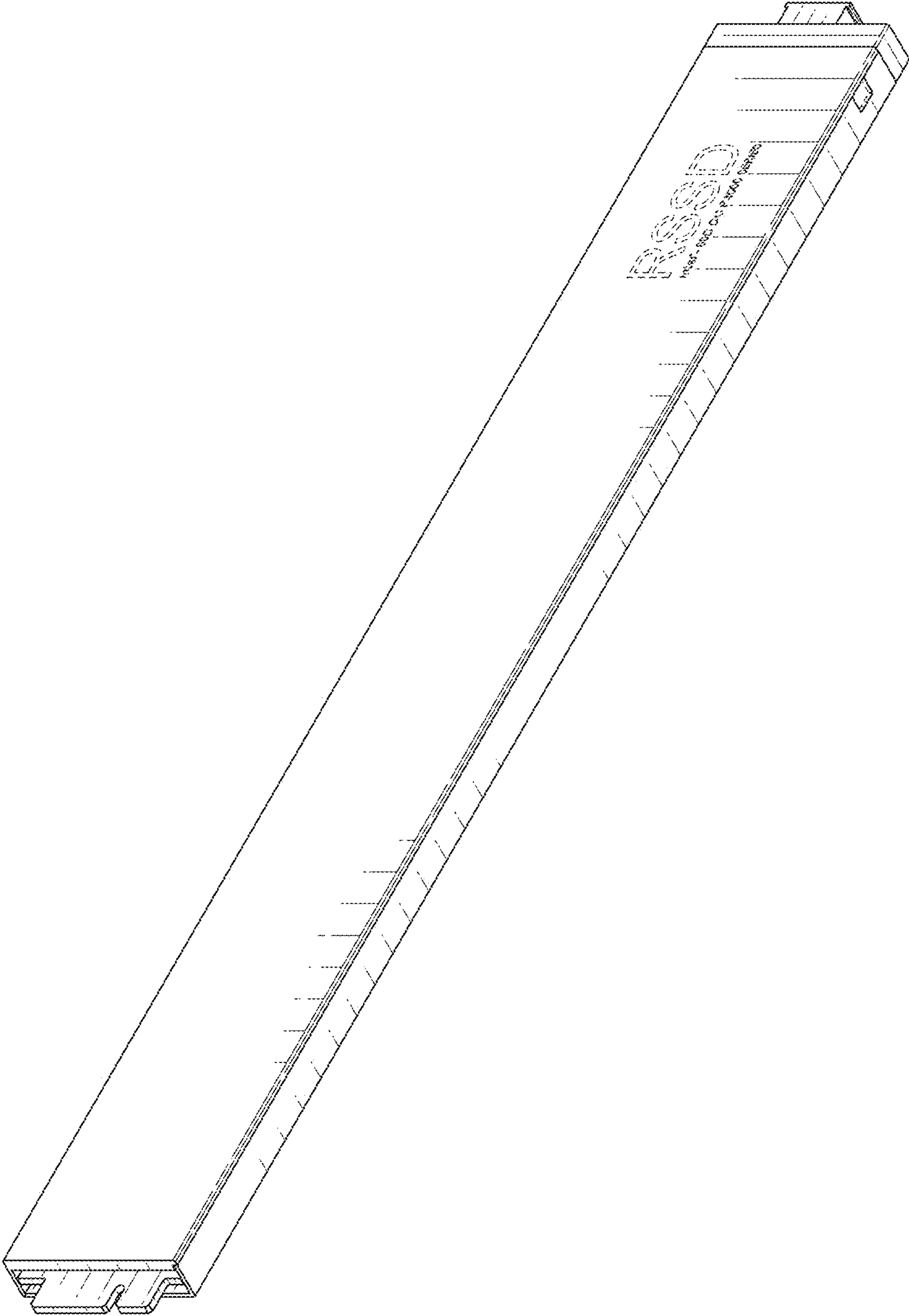


FIG. 38

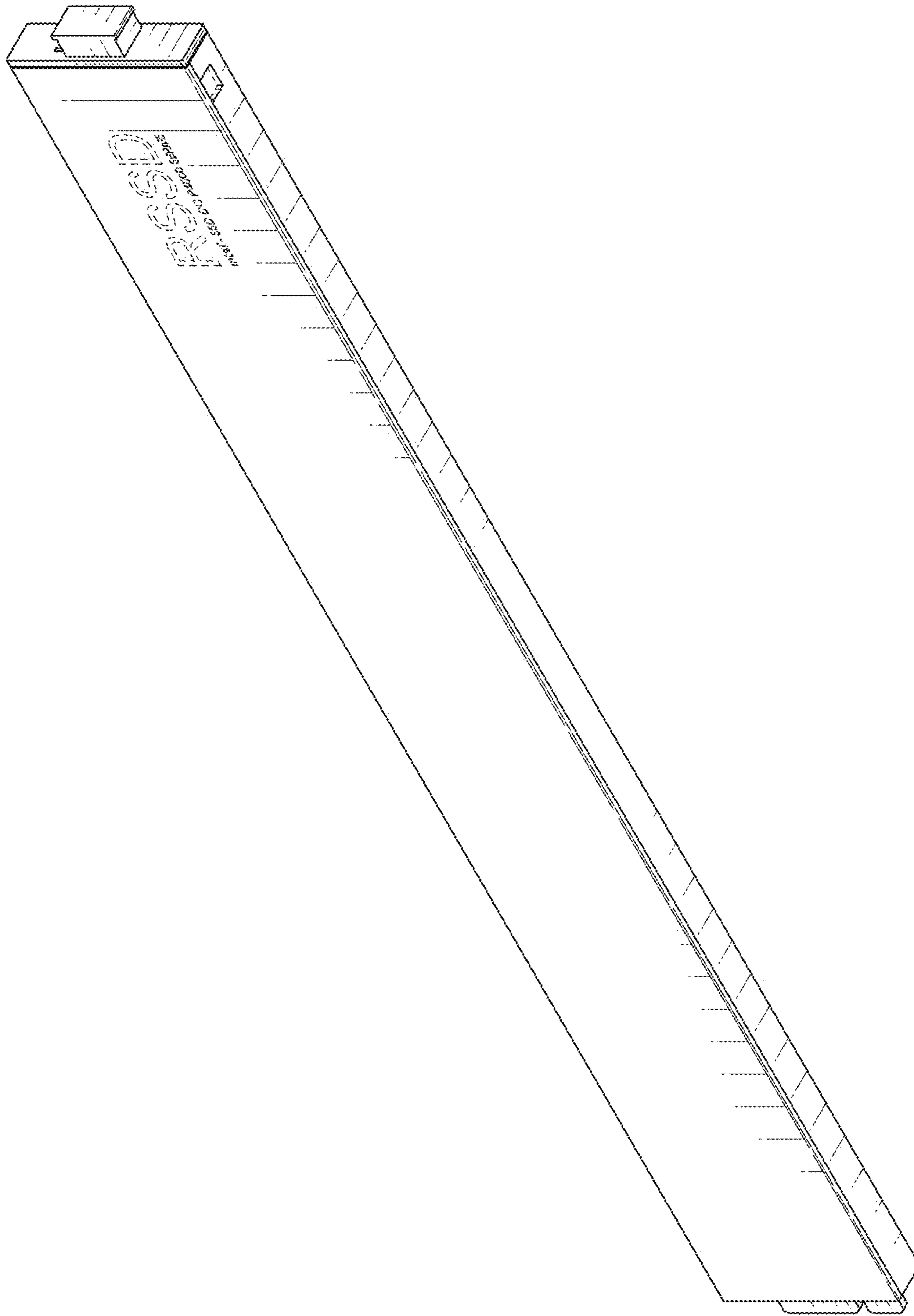


FIG. 39

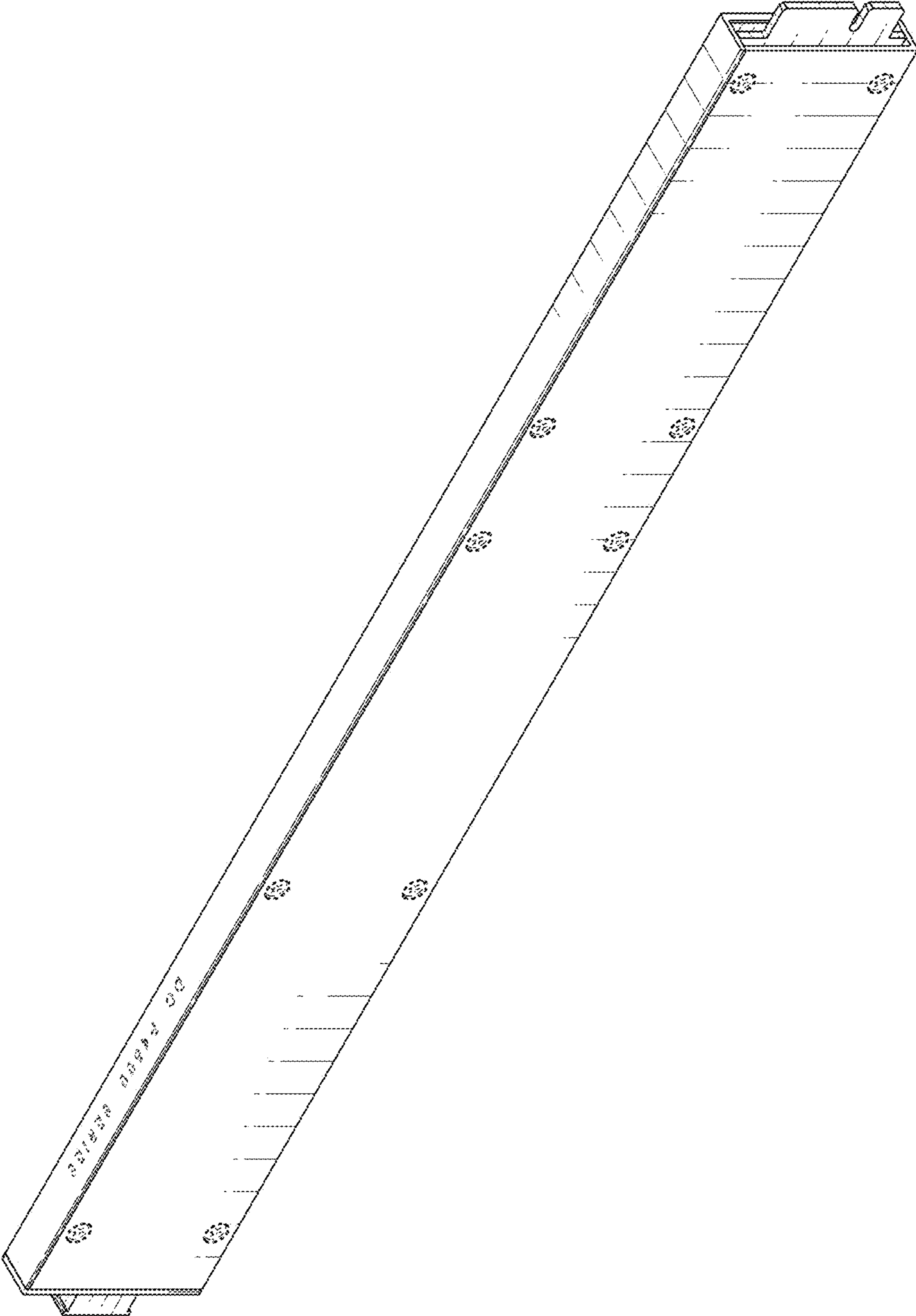


FIG. 40



FIG. 41

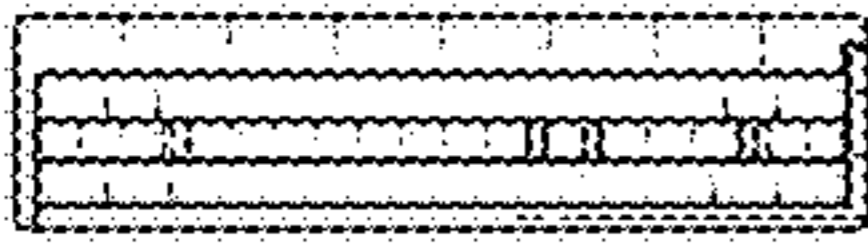


FIG. 42

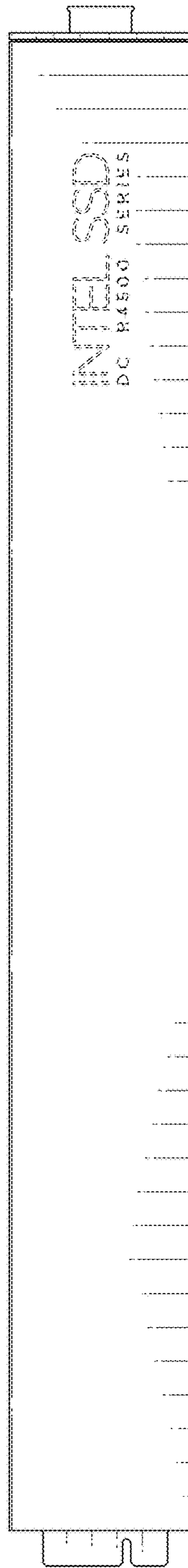


FIG. 43

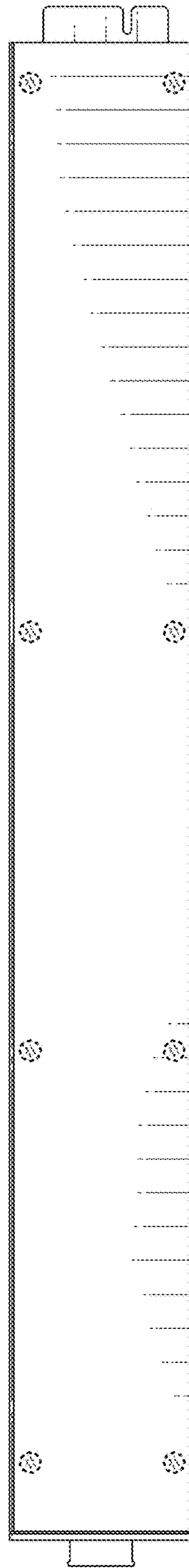


FIG. 44



FIG. 45

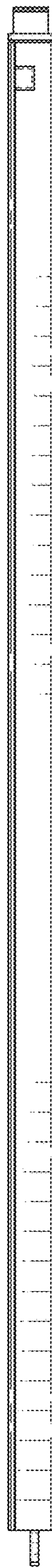


FIG. 46

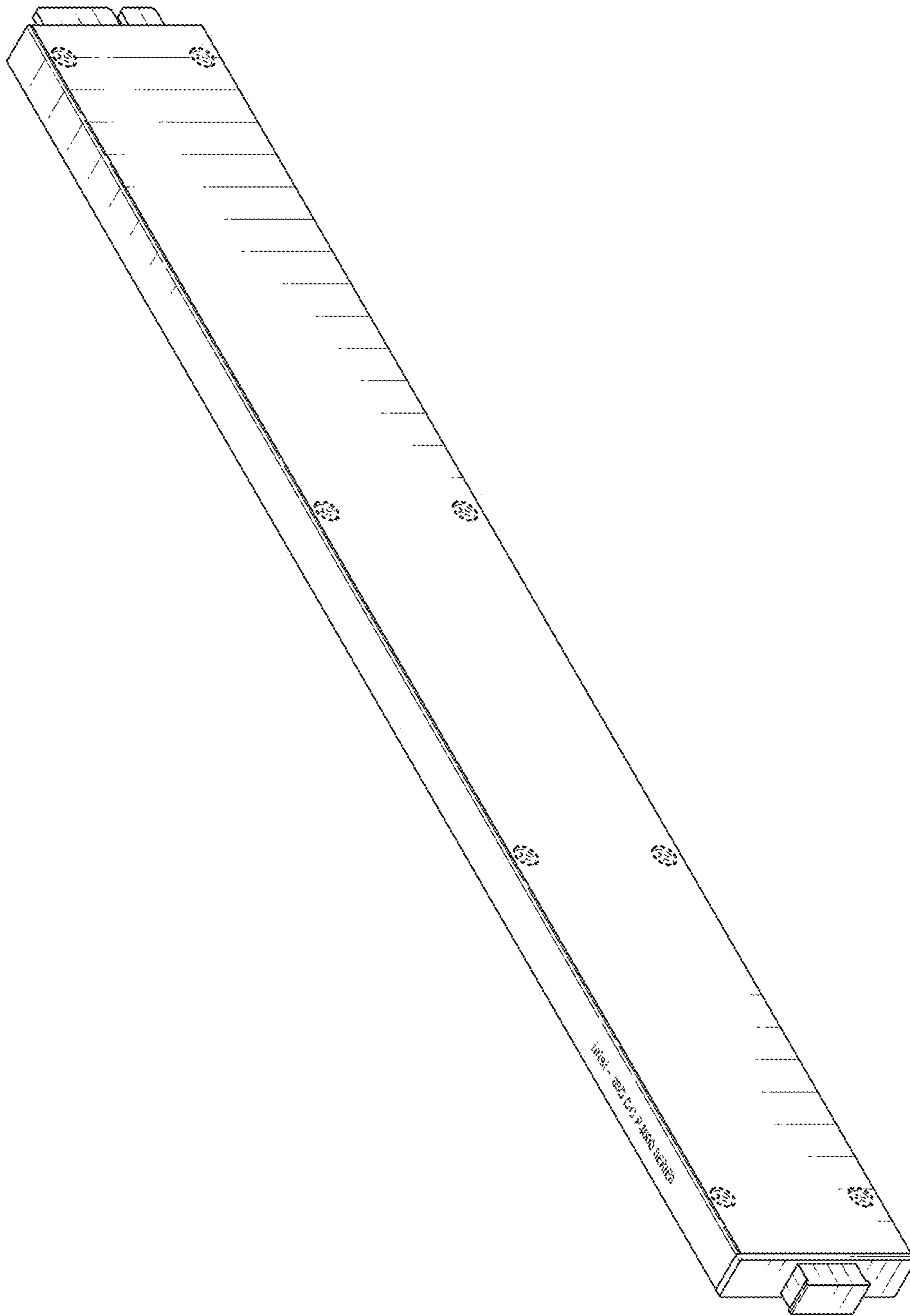


FIG. 47

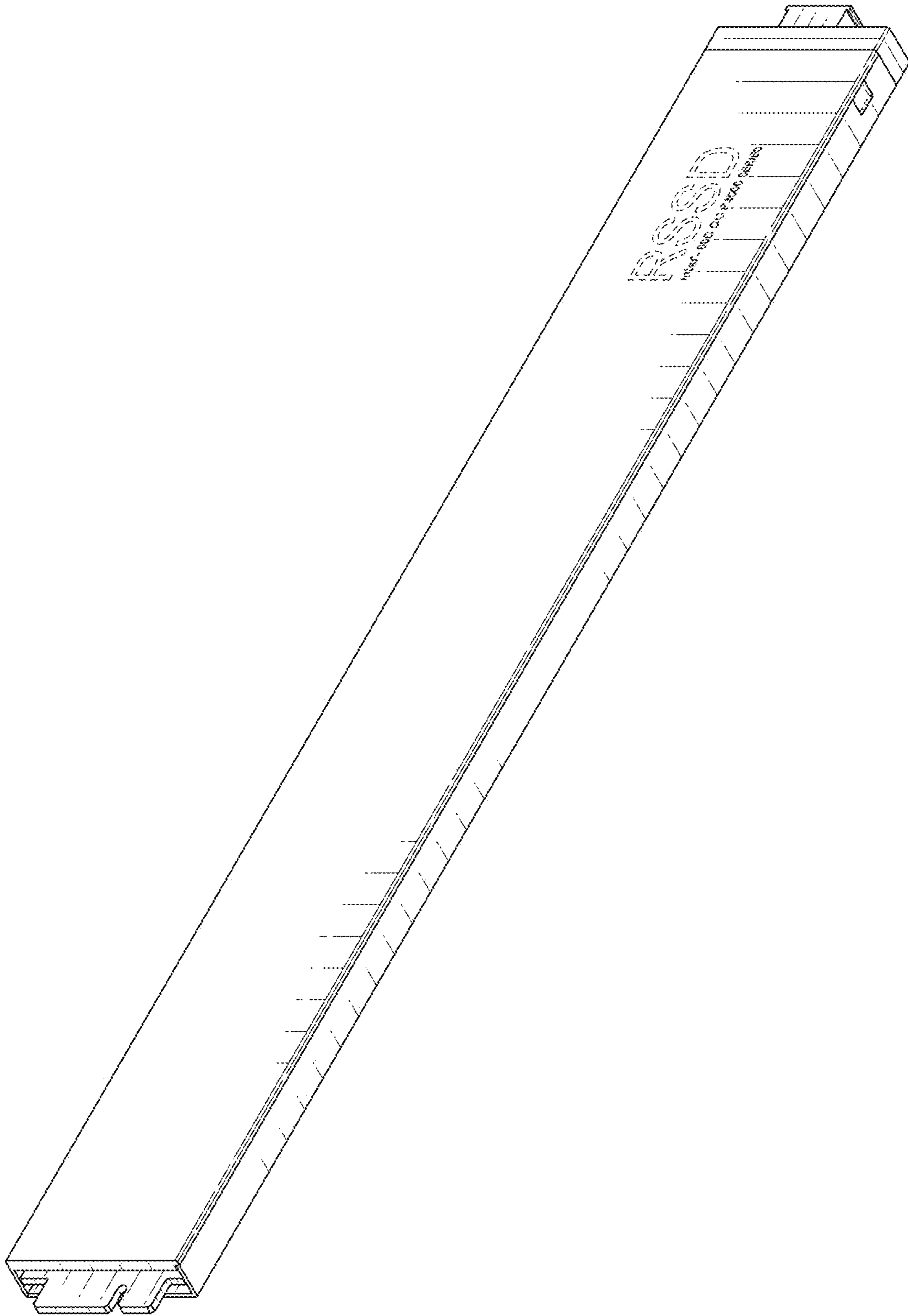


FIG. 48

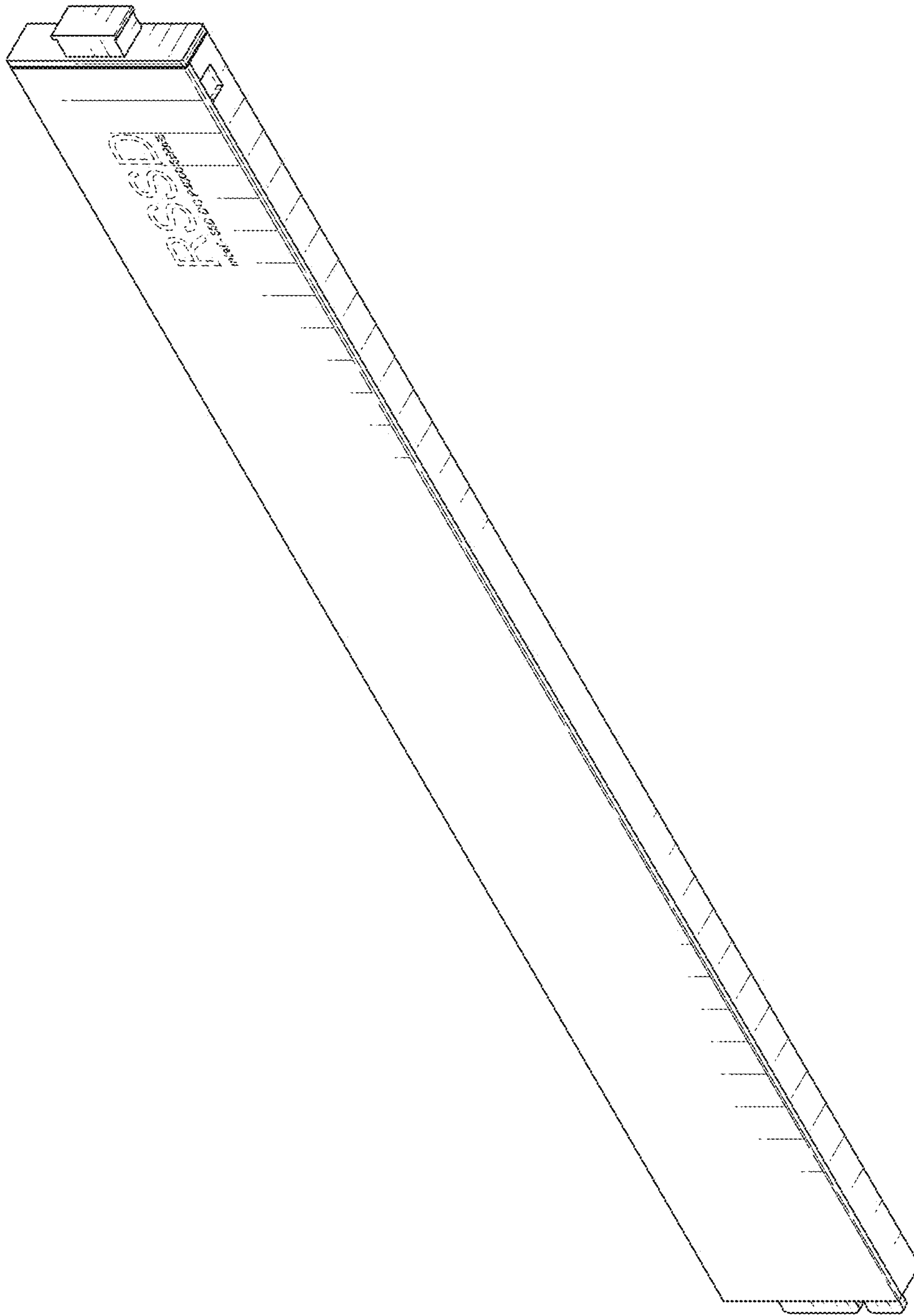


FIG. 49

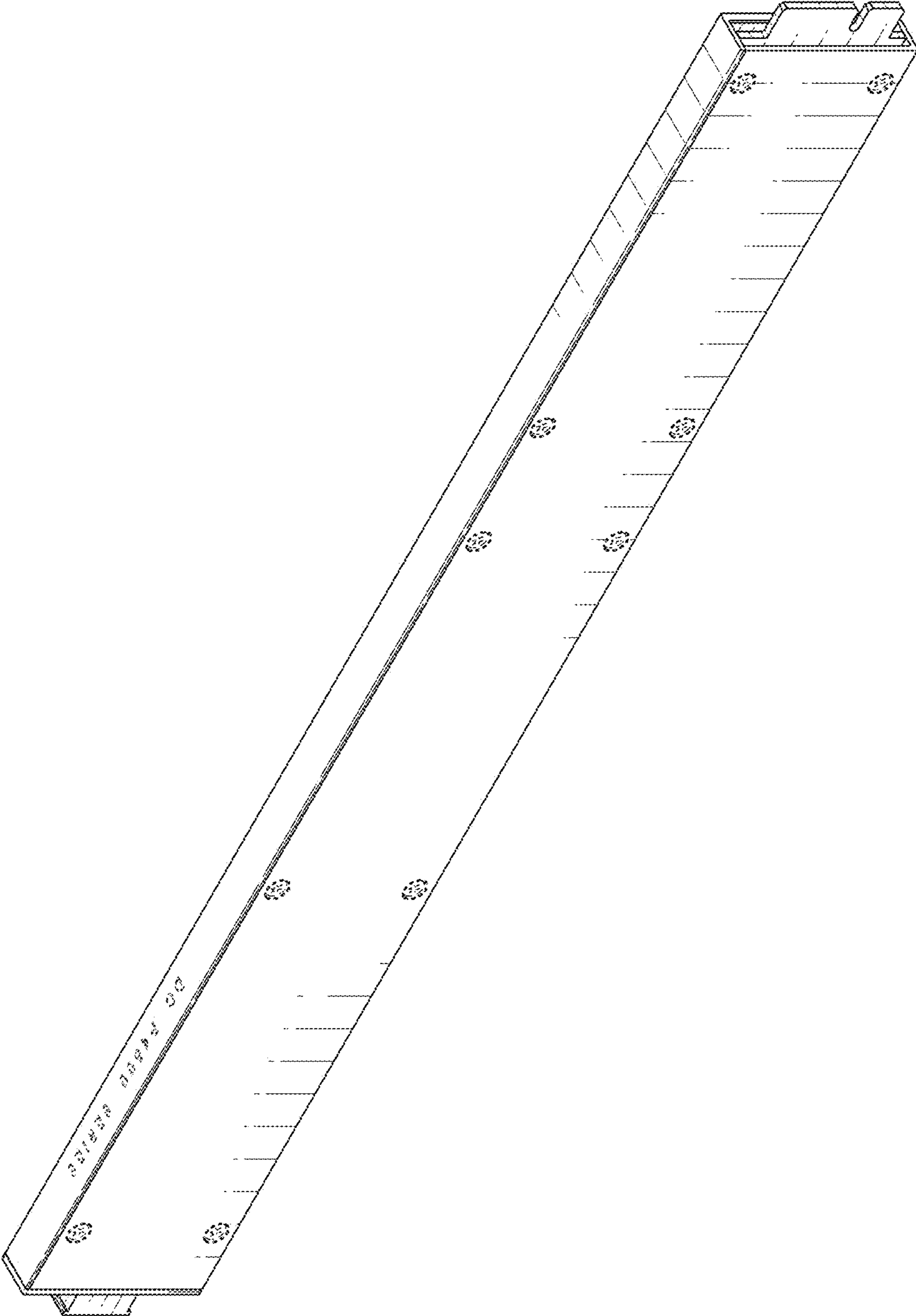


FIG. 50