



US00D907028S

(12) **United States Design Patent** (10) **Patent No.:** **US D907,028 S**
Shen (45) **Date of Patent:** **** Jan. 5, 2021**

(54) **CAR MOBILE PHONE HOLDER**
(71) Applicant: **SHENZHEN JINGDU TECHNOLOGY CO., LTD.**, Shenzhen (CN)
(72) Inventor: **Shaodong Shen**, Shenzhen (CN)
(73) Assignee: **SHENZHEN JINGDU TECHNOLOGY CO., LTD.**, Shenzhen (CN)
(**) Term: **15 Years**

D818,421 S 5/2018 Hu
D825,546 S * 8/2018 Fan D14/253
D832,248 S * 10/2018 Sukphist D14/253
D850,436 S * 6/2019 Vogel D14/253
D852,116 S 6/2019 Jun
D864,186 S 10/2019 Du
D867,356 S 11/2019 Tan
D867,357 S 11/2019 Yang
D873,813 S * 1/2020 Zhong D14/253
D876,316 S * 2/2020 Peters D12/415
D879,090 S * 3/2020 Chung D14/253
D879,766 S * 3/2020 Fan D14/253
D889,382 S * 7/2020 Lan D12/415
2010/0320341 A1 * 12/2010 Baumann F16B 47/006
248/206.2

(21) Appl. No.: **29/719,917**
(22) Filed: **Jan. 8, 2020**
(51) **LOC (13) Cl.** **14-03**
(52) **U.S. Cl.**
USPC **D14/253**
(58) **Field of Classification Search**
USPC D14/217, 251-253, 447, 452, 432-434,
D14/440; D12/415; D3/218; D8/349,
D8/363, 394-396; D16/242-244
CPC H04M 1/02; H04M 1/04; B60R 11/02;
F16M 11/00; F16M 11/04; F16M 11/06;
F16M 13/02; F16M 13/00; H05K 7/00;
H05K 5/02; A47G 1/17
See application file for complete search history.

(56) **References Cited**
U.S. PATENT DOCUMENTS
5,836,563 A 11/1998 Hsin-Yung
7,021,593 B1 * 4/2006 Fan F16B 47/00
248/206.2
D521,850 S * 5/2006 Richter D8/354
D681,028 S * 4/2013 Richter D14/253
D715,132 S * 10/2014 McSweyn D8/363
D718,297 S * 11/2014 Aspinall D14/253
D780,168 S 2/2017 Du
D780,169 S 2/2017 Du

(Continued)

FOREIGN PATENT DOCUMENTS

EM 1393980 A2 3/2004
Primary Examiner — Janice Hallmark
(74) *Attorney, Agent, or Firm* — Law Offices of Steven W. Weinrieb

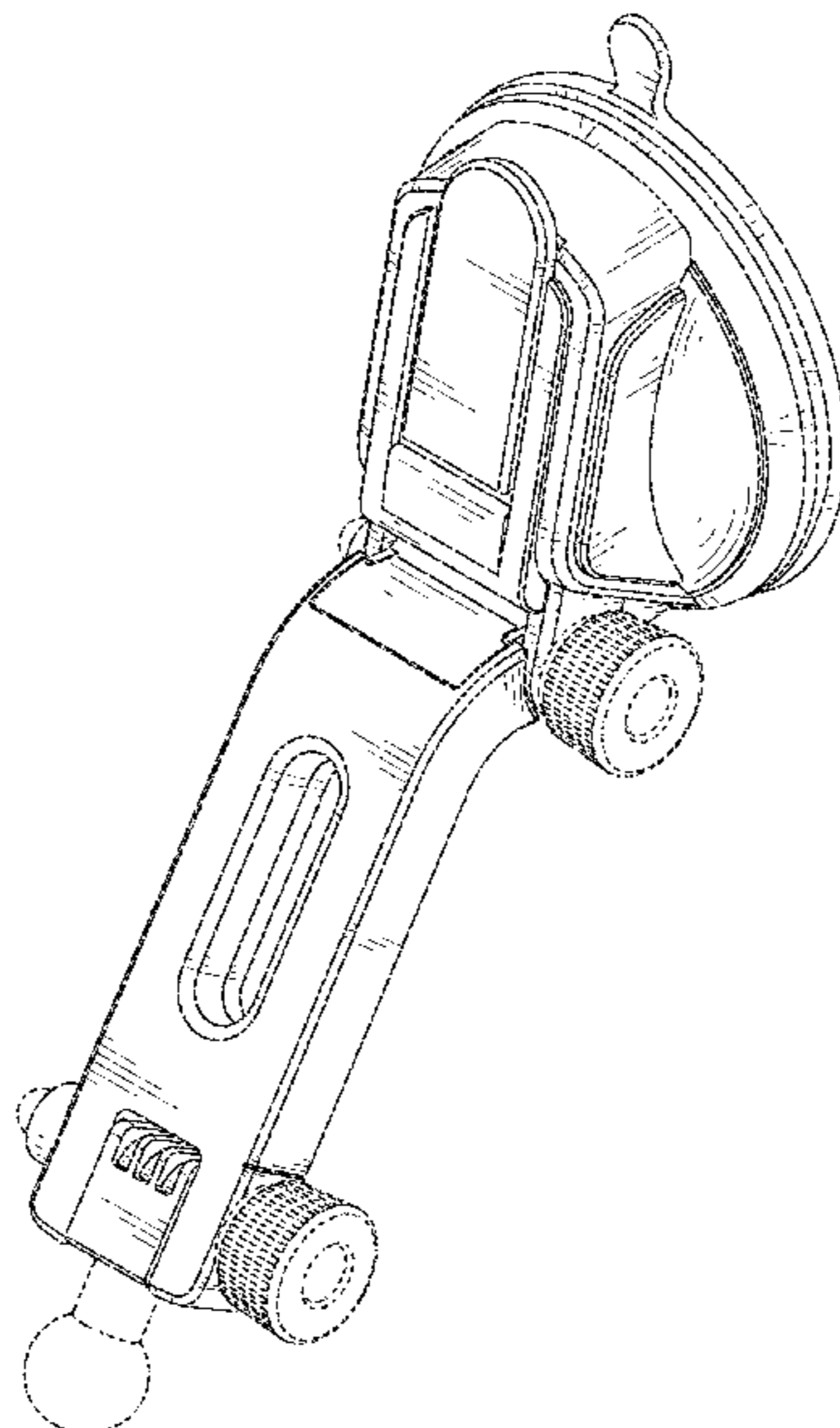
(57) **CLAIM**

The ornamental design for a car mobile phone holder, as shown and described.

DESCRIPTION

FIG. 1 is a front, right side, top perspective view of a car mobile phone holder showing my new design; FIG. 2 is a rear, left side, bottom perspective view thereof; FIG. 3 is a front elevational view thereof; FIG. 4 is a rear elevational view thereof; FIG. 5 is a left side elevational view thereof; FIG. 6 is a right side elevational view thereof; FIG. 7 is a top plan view thereof; and, FIG. 8 is a bottom plan view thereof. The broken lines depict portions of the car mobile phone holder that form no part of the claimed design.

1 Claim, 8 Drawing Sheets



(56)

References Cited

U.S. PATENT DOCUMENTS

2014/0145051 A1* 5/2014 Gwag F16M 11/2092
248/298.1

* cited by examiner

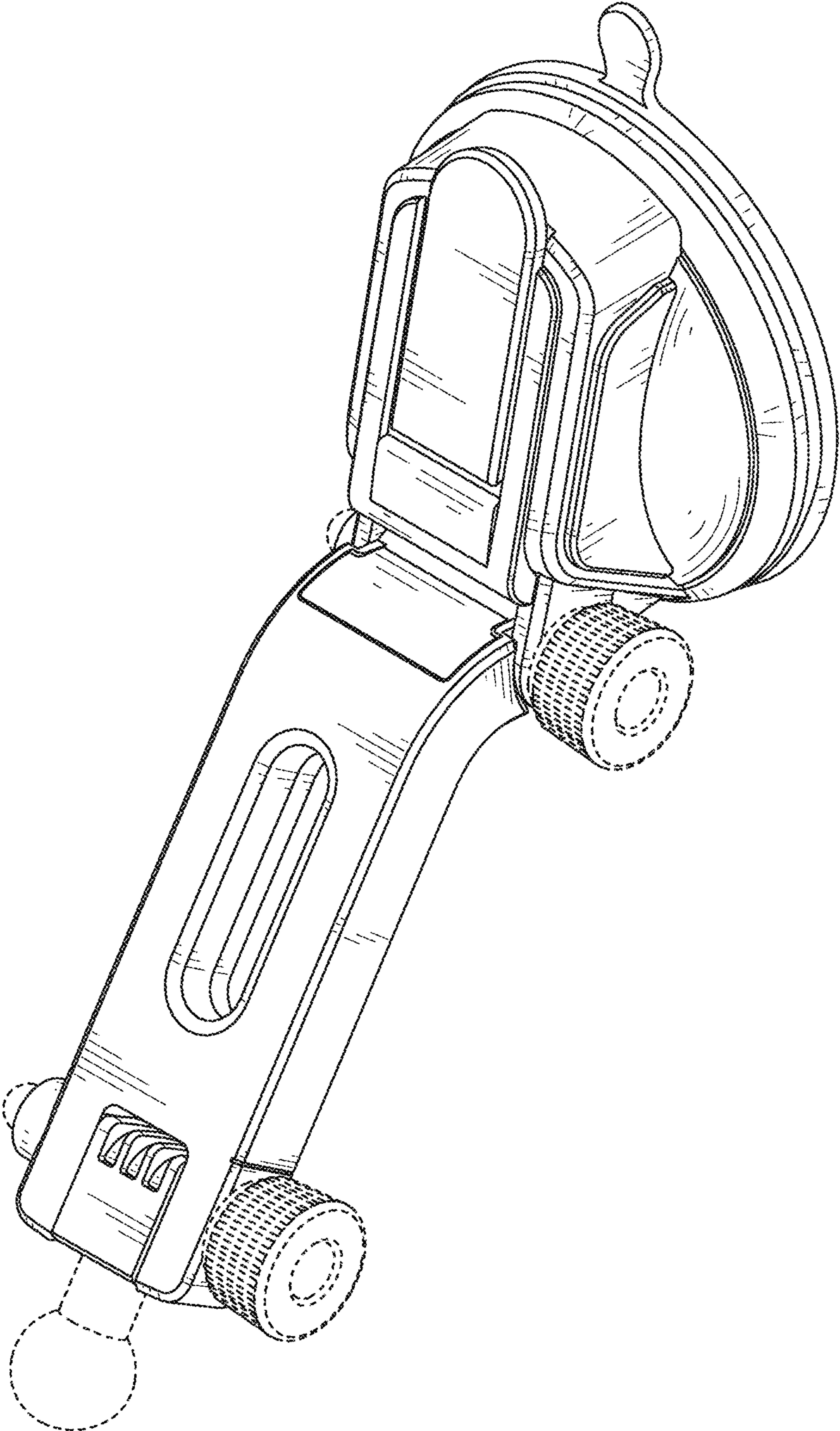


FIG. 1

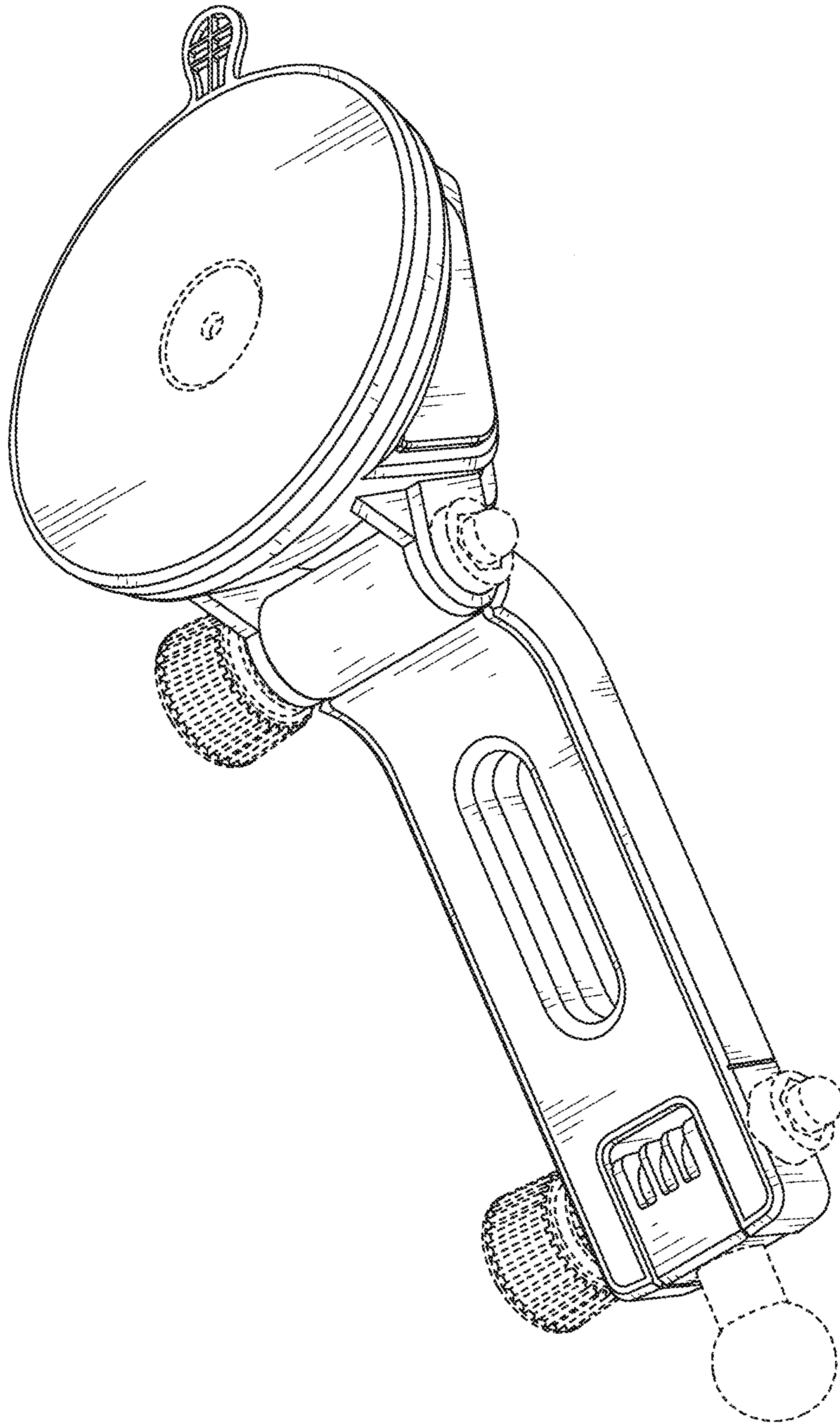


FIG. 2

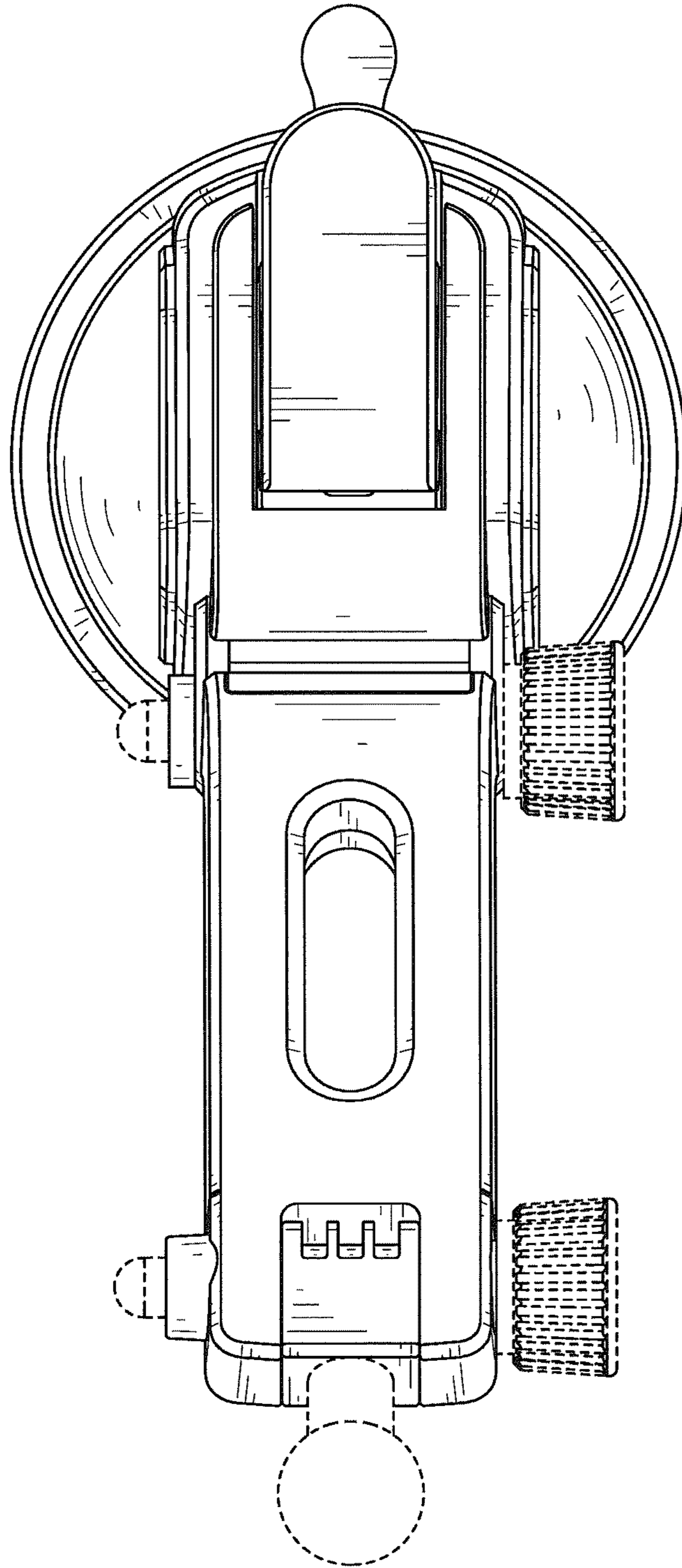


FIG. 3

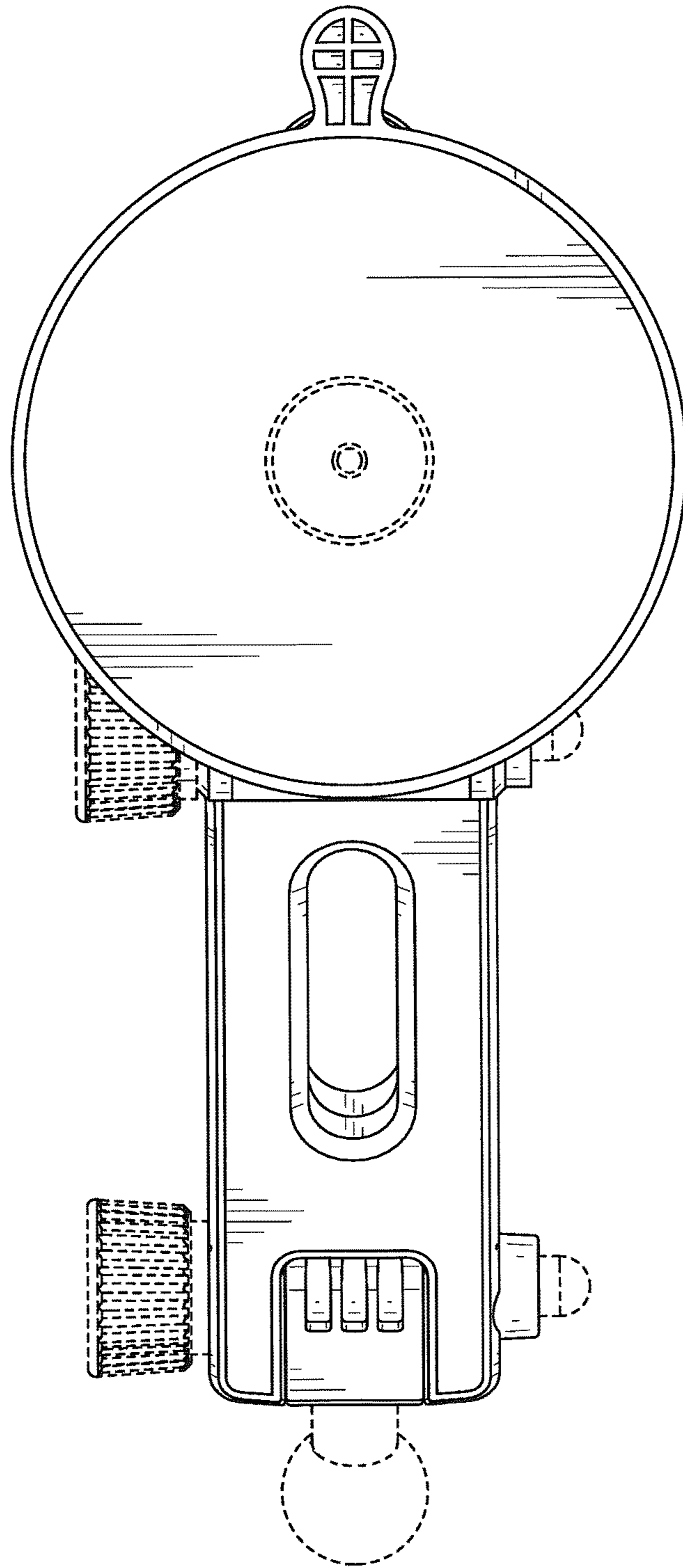


FIG. 4

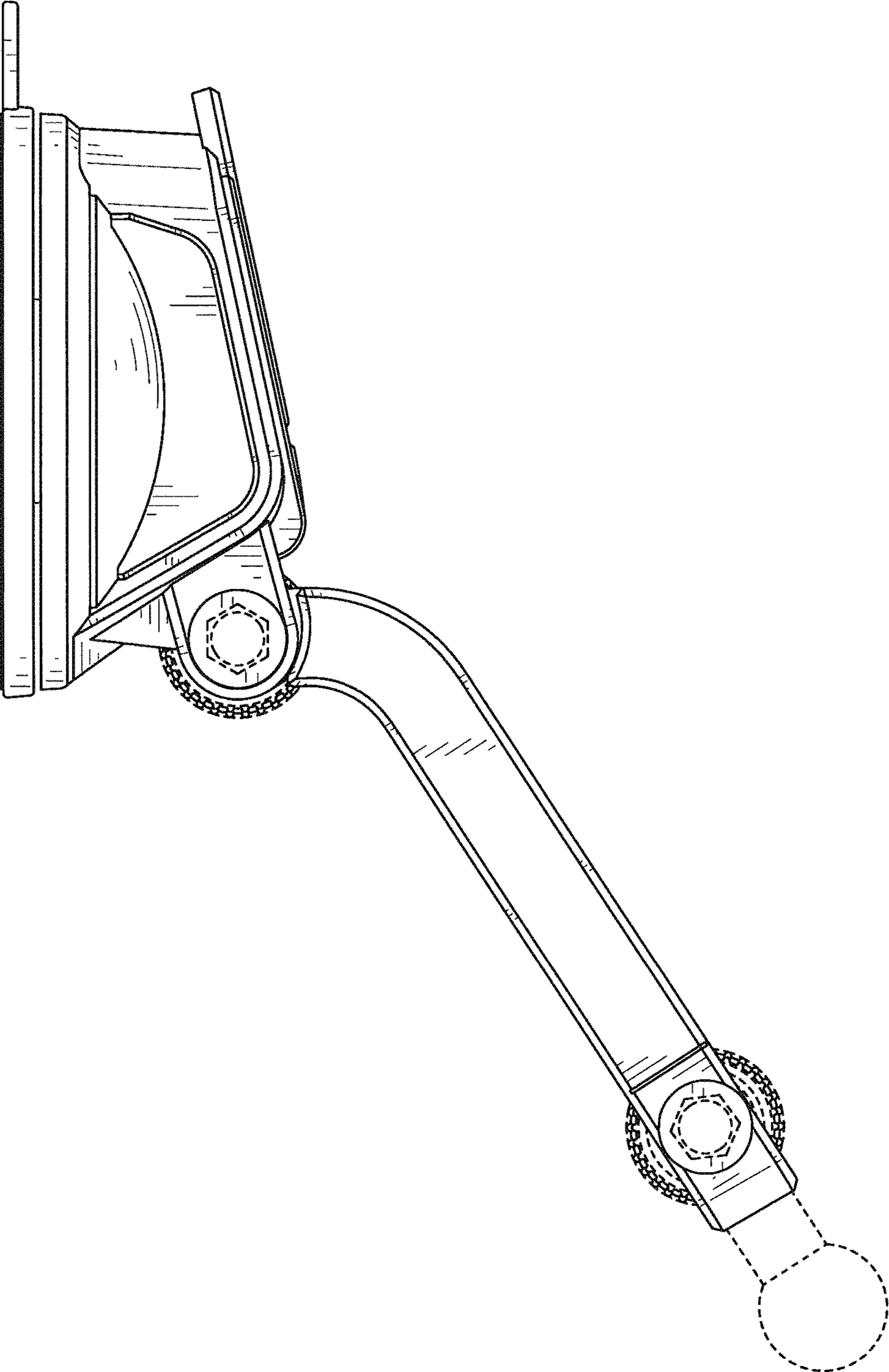


FIG. 5

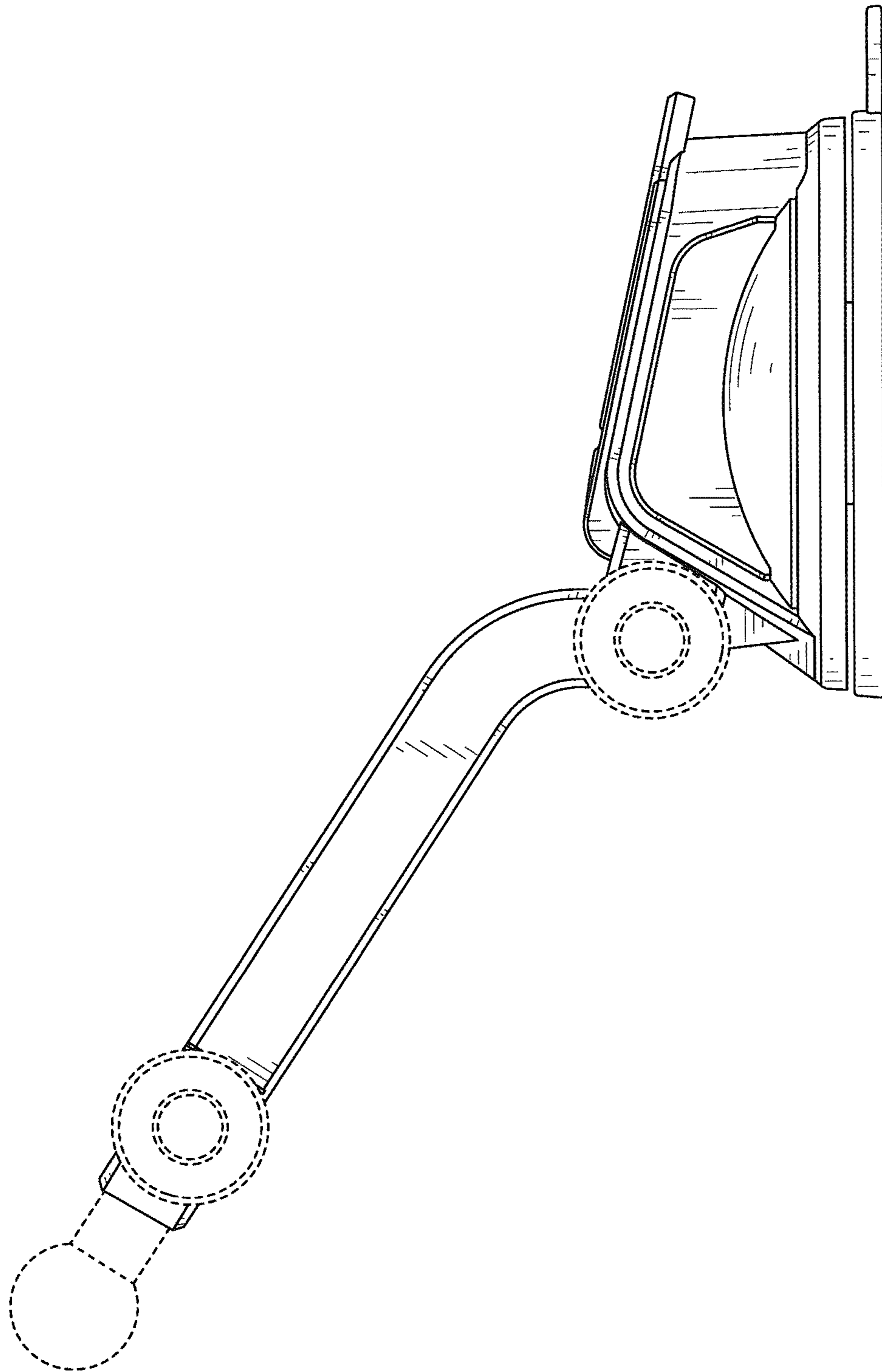


FIG. 6

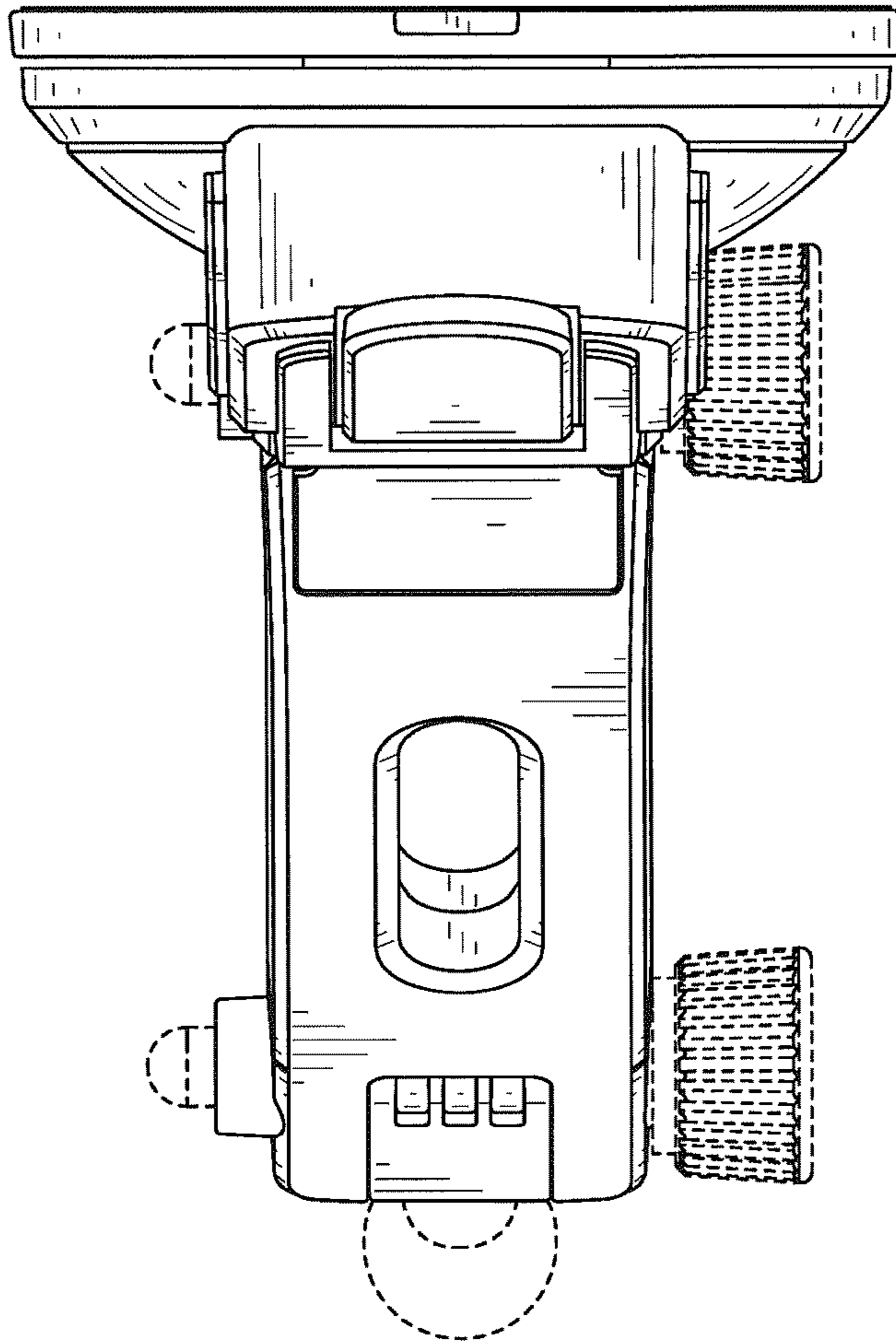


FIG. 7

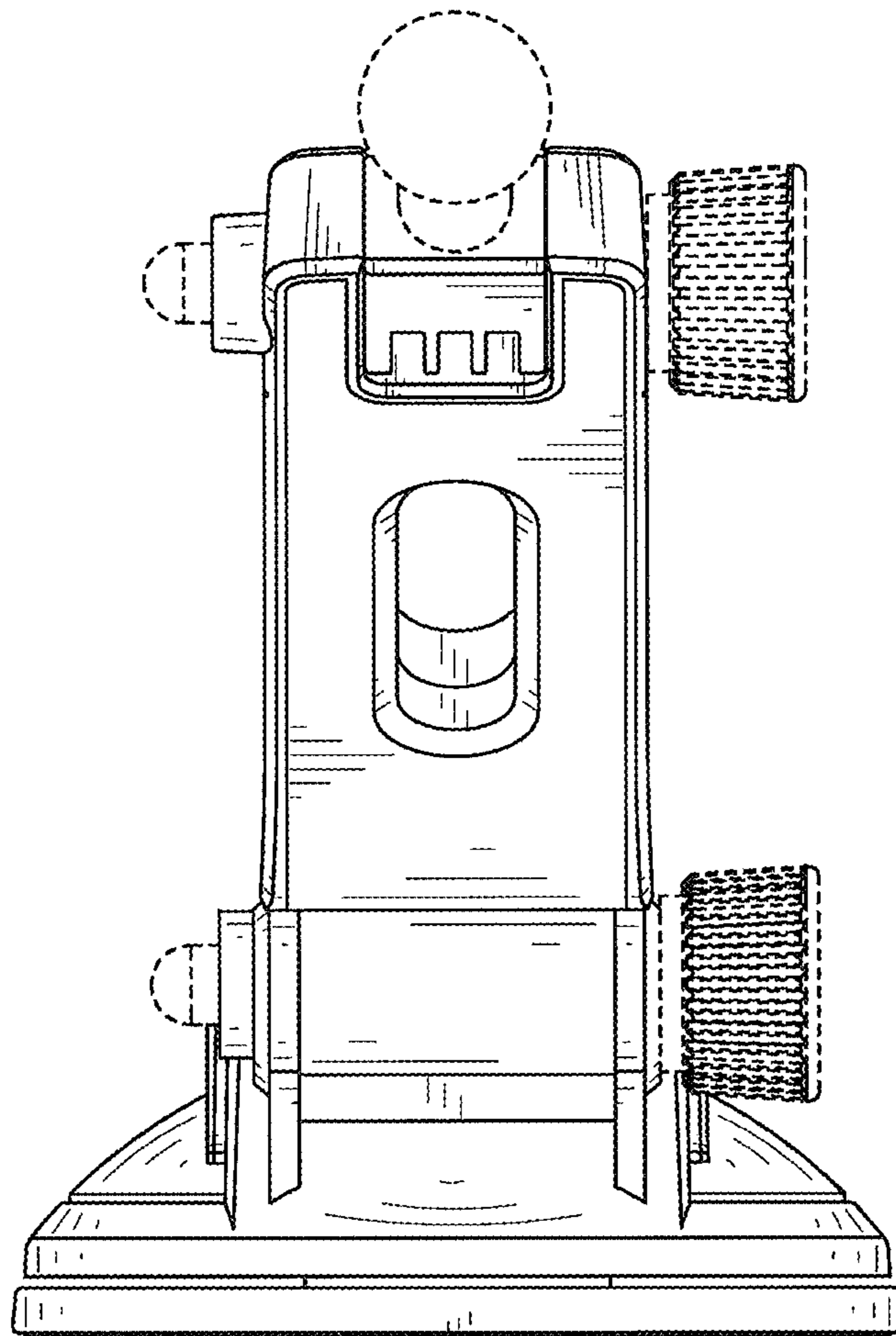


FIG. 8