



US00D907027S

(12) **United States Design Patent**
Halpern

(10) **Patent No.:** **US D907,027 S**

(45) **Date of Patent:** **** Jan. 5, 2021**

- (54) **MAGNETIC PHONE MOUNT**
- (71) Applicant: **Donald Mitchell Halpern**, New Albany, OH (US)
- (72) Inventor: **Donald Mitchell Halpern**, New Albany, OH (US)
- (**) Term: **15 Years**
- (21) Appl. No.: **29/706,779**
- (22) Filed: **Sep. 24, 2019**
- (51) **LOC (13) Cl.** **14-03**
- (52) **U.S. Cl.**
USPC **D14/253**
- (58) **Field of Classification Search**
USPC D14/251–253, 447, 452, 432–434, 440;
D12/415; D3/218; D8/349, 363
CPC H04M 1/02; H04M 1/04; B60R 11/02;
F16M 11/00; F16M 11/04; F16M 11/06;
F16M 13/02; F16M 13/00; H05K 7/00;
H05K 5/02; A47G 1/17
See application file for complete search history.

(56) **References Cited**

U.S. PATENT DOCUMENTS

D738,873 S *	9/2015	Kim	D14/253
D769,860 S *	10/2016	Xiao		
D783,012 S *	4/2017	Lee	D14/253
D783,014 S *	4/2017	Chun	D14/253
D784,977 S *	4/2017	Ormsbee	D14/253
D799,466 S *	10/2017	Sukphist	D14/253
9,975,497 B2 *	5/2018	Kim	F16M 11/041
D825,548 S *	8/2018	Lebovitz		
D826,225 S *	8/2018	Chen	D14/253
D831,660 S *	10/2018	Yao	D14/447

D852,560 S *	7/2019	Cochrane	D6/682.3
D854,006 S *	7/2019	Wang	D14/253
D854,537 S *	7/2019	Ackeret	D14/253
D867,355 S *	11/2019	Chun	D14/253
D868,054 S *	11/2019	Kim	D14/253
D881,182 S *	4/2020	Zhang	D14/253
D881,201 S *	4/2020	Lou	D14/447
2014/0138419 A1 *	5/2014	Minn	F16B 2/065 224/567
2016/0052370 A1 *	2/2016	Esses	A61L 9/12 239/1
2016/0124210 A1 *	5/2016	Ross	G02B 23/18 359/399

* cited by examiner

Primary Examiner — Janice Hallmark
(74) *Attorney, Agent, or Firm* — Calfee, Halter & Griswold LLP

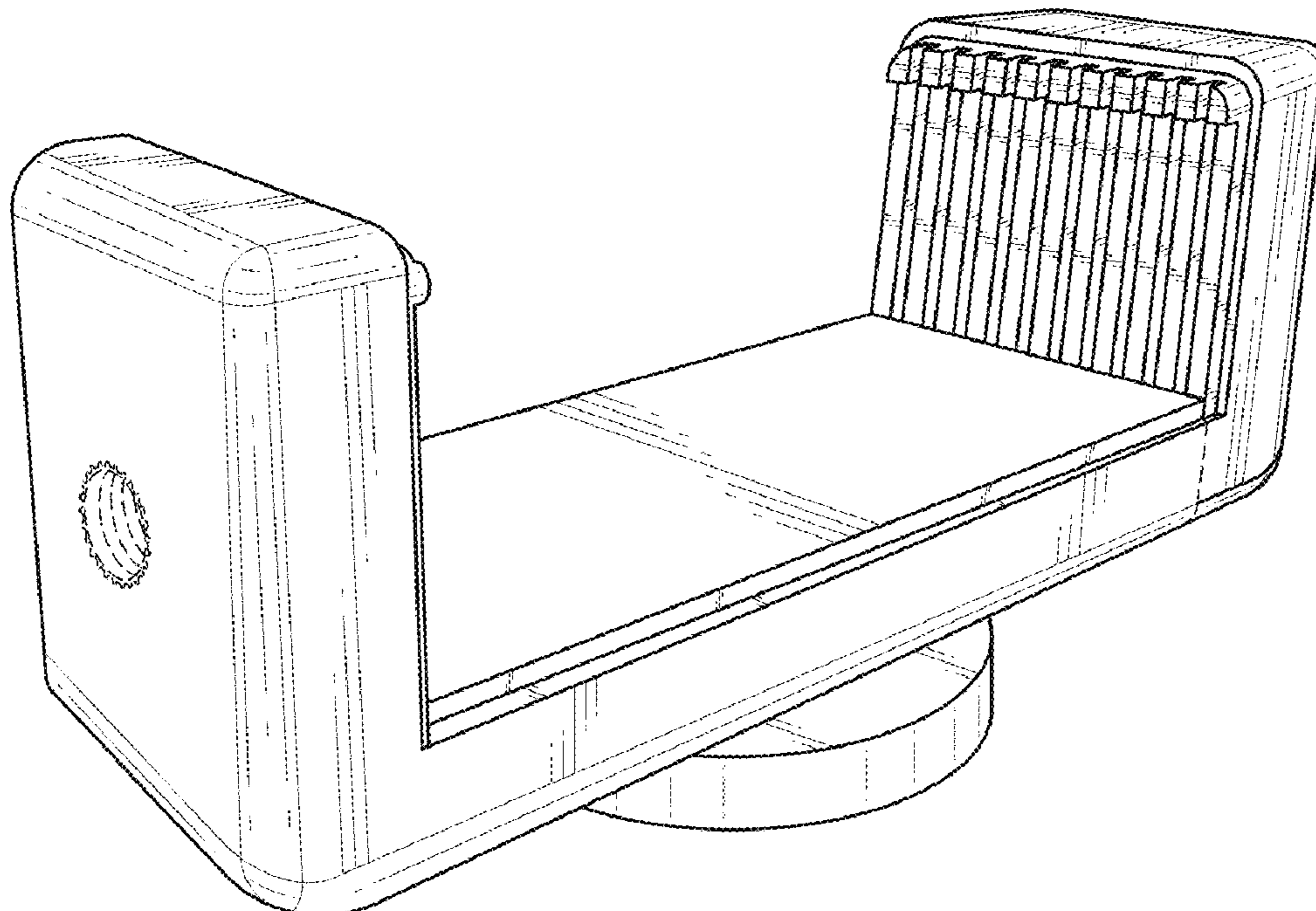
(57) **CLAIM**

I claim the ornamental design for a magnetic phone mount, as shown and described.

DESCRIPTION

FIG. 1 is an upper perspective view of a magnetic phone mount;
FIG. 2 is a top plan view thereof;
FIG. 3 is a bottom plan view thereof;
FIG. 4 is a front elevational view thereof;
FIG. 5 is a rear elevational view thereof;
FIG. 6 is a right-side elevational view thereof; and,
FIG. 7 is a left-side elevational view thereof.
The portions of the magnetic phone mount shown in broken lines are for illustrative purposes only and form no part of the claimed design.

1 Claim, 7 Drawing Sheets



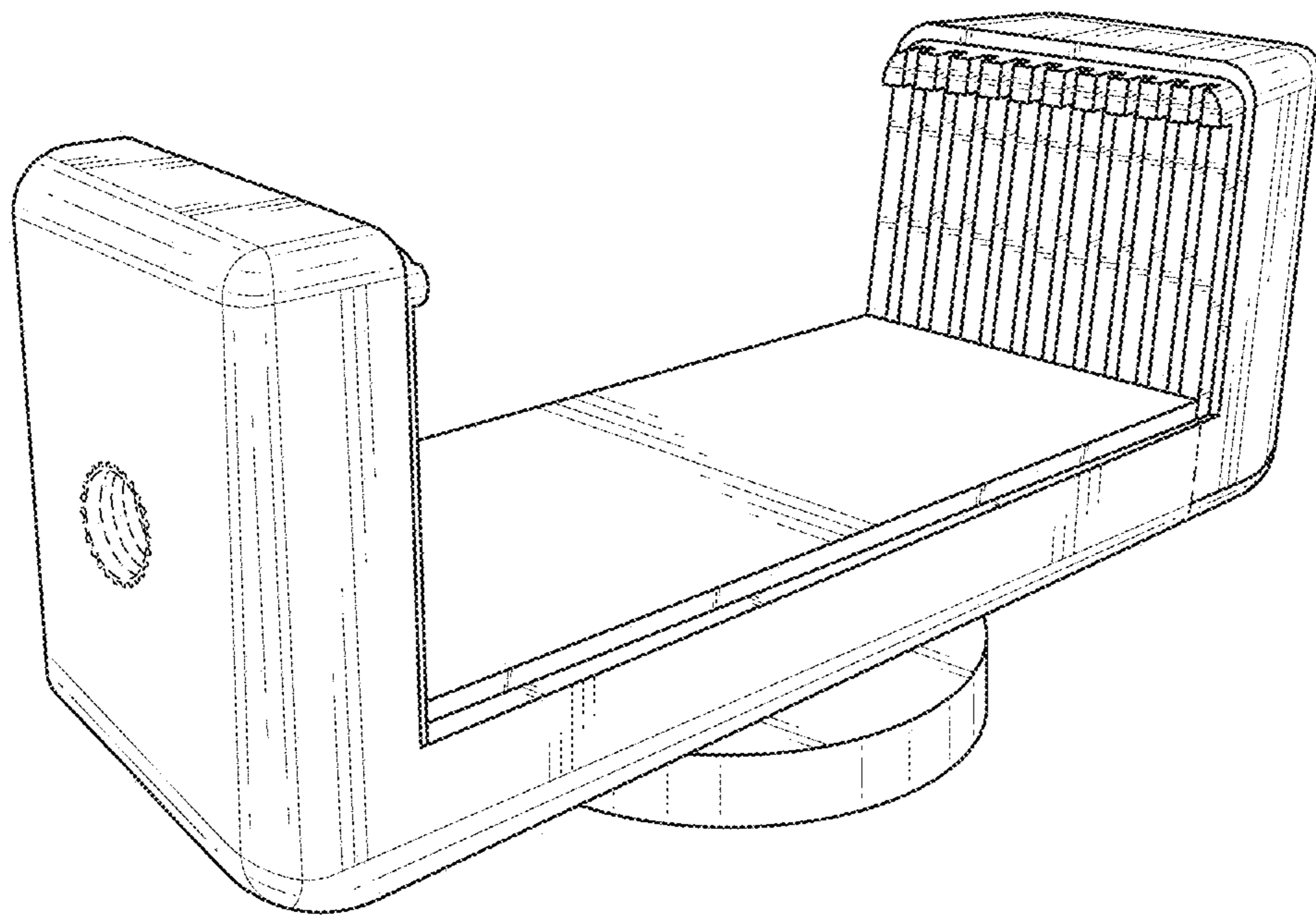


FIG. 1

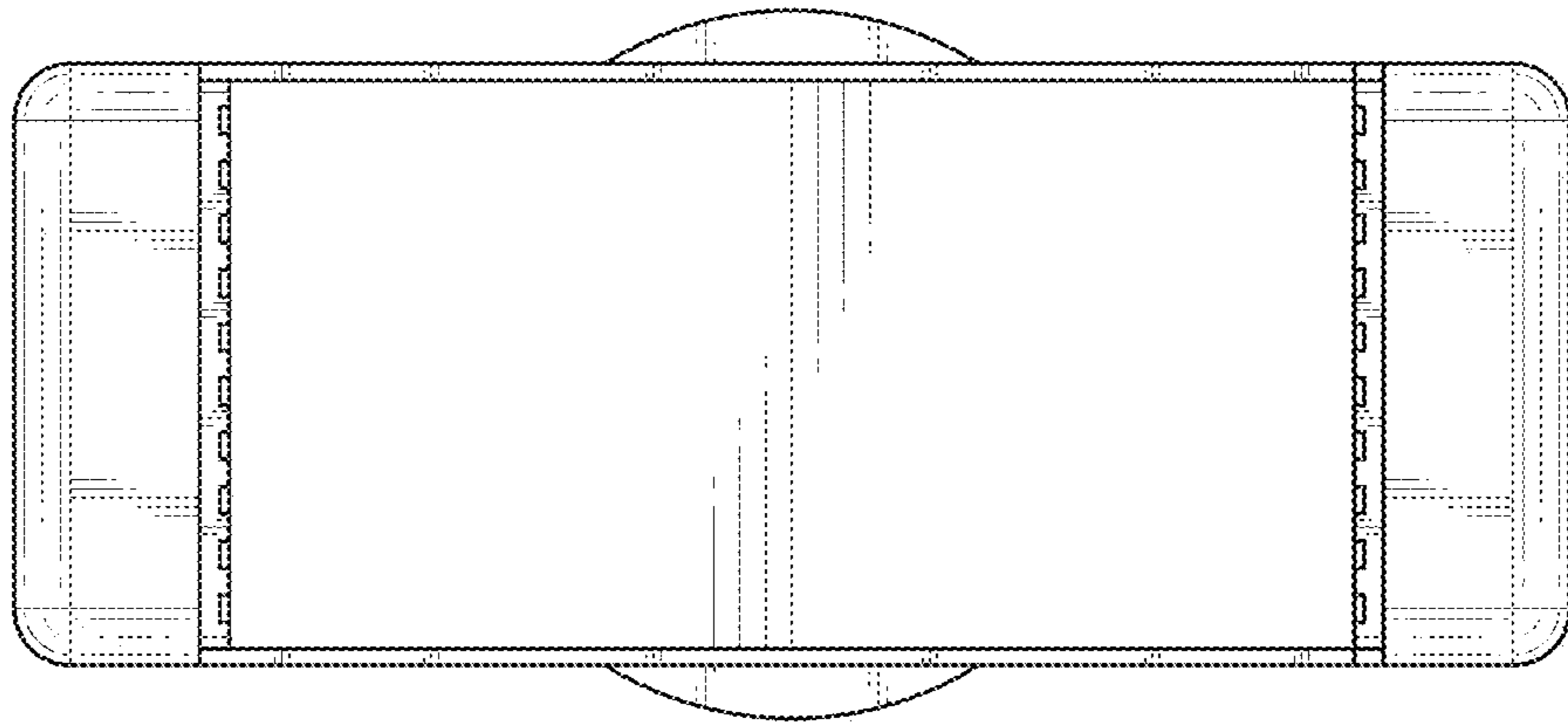


FIG. 2

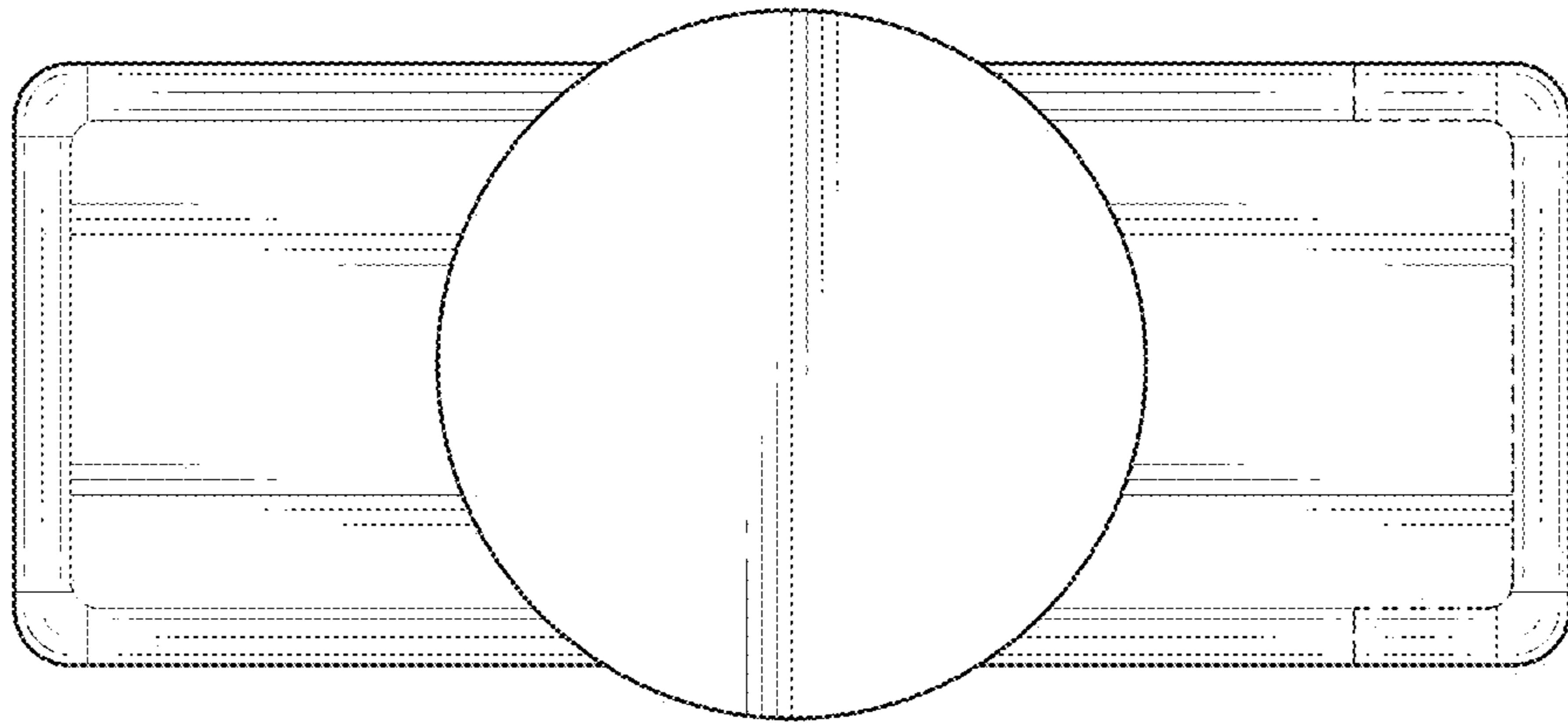


FIG. 3

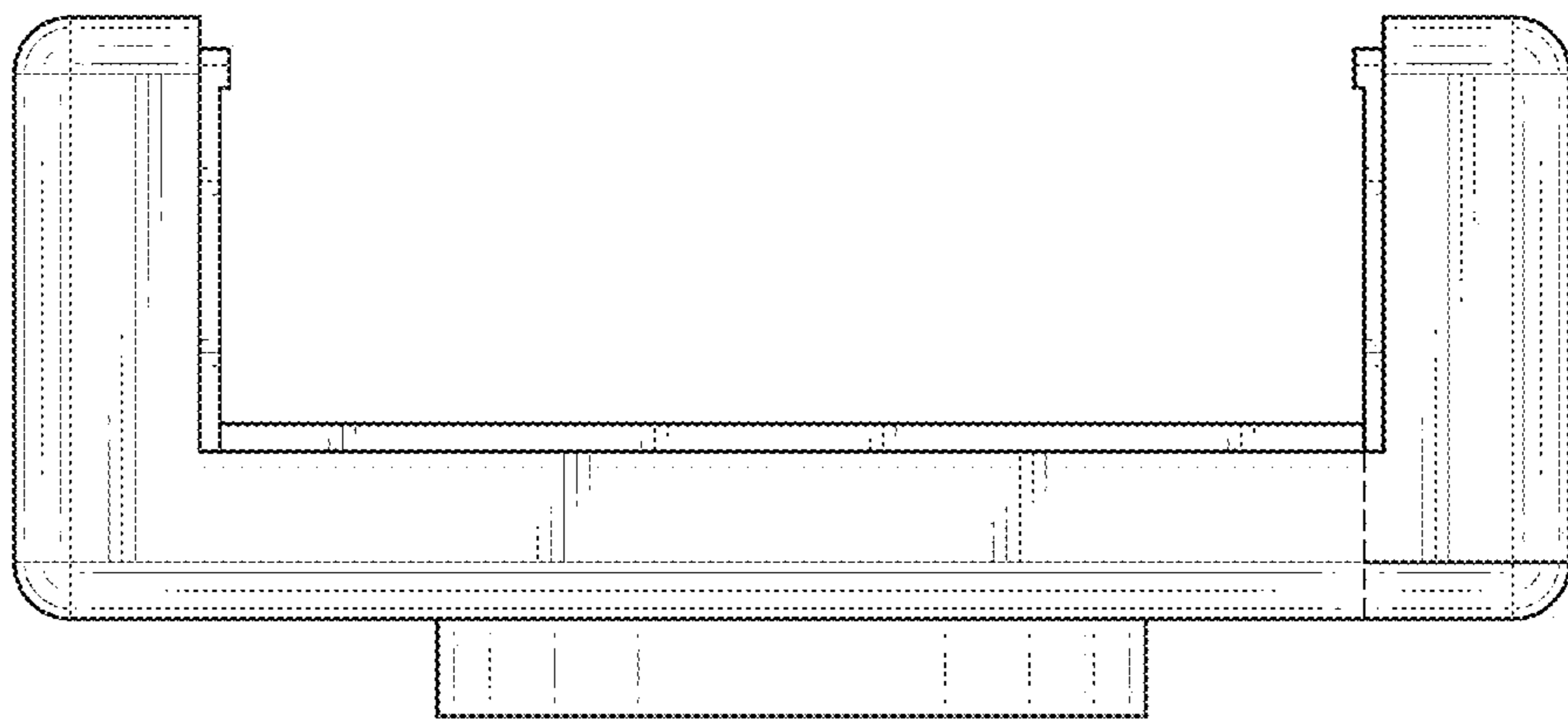


FIG. 4

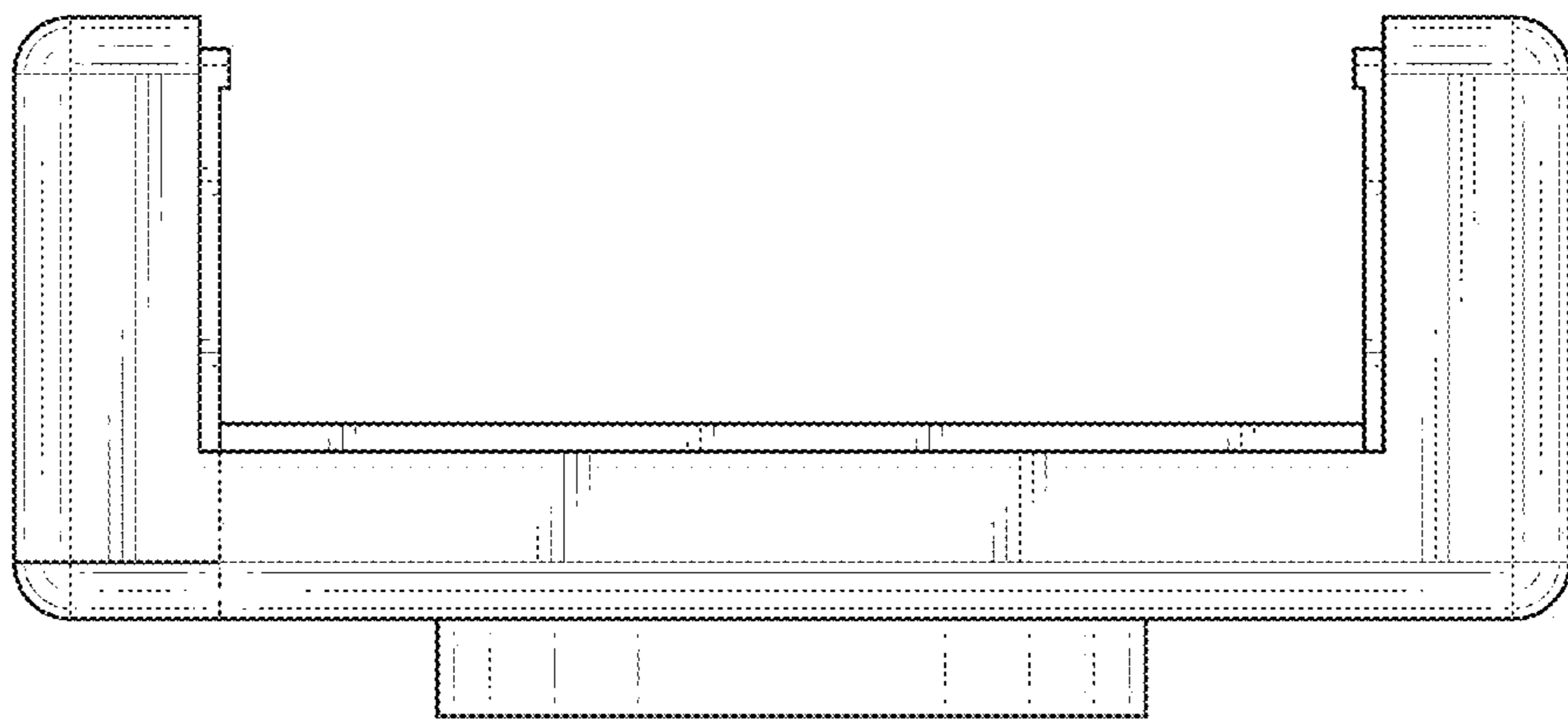


FIG. 5

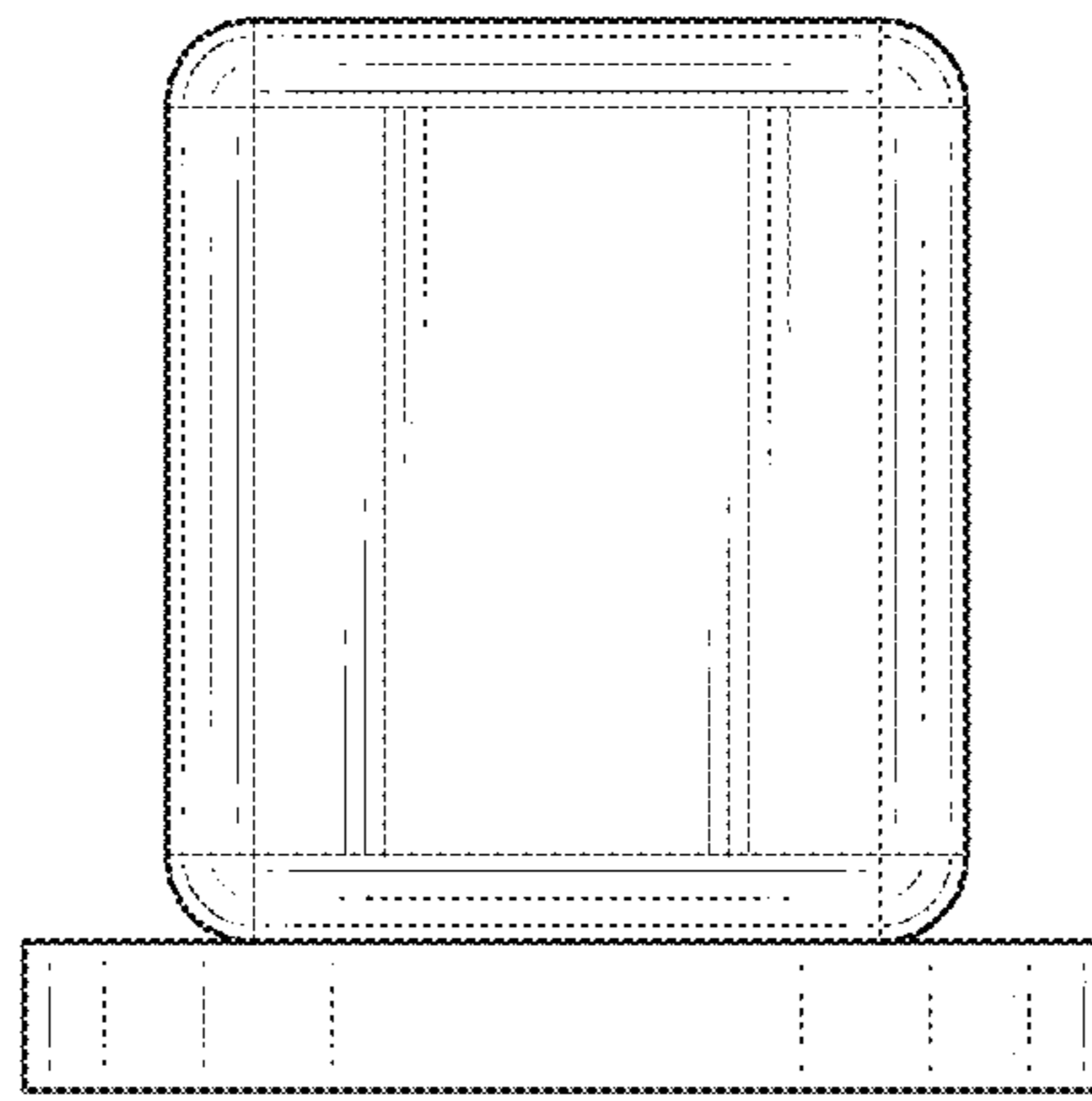


FIG. 6

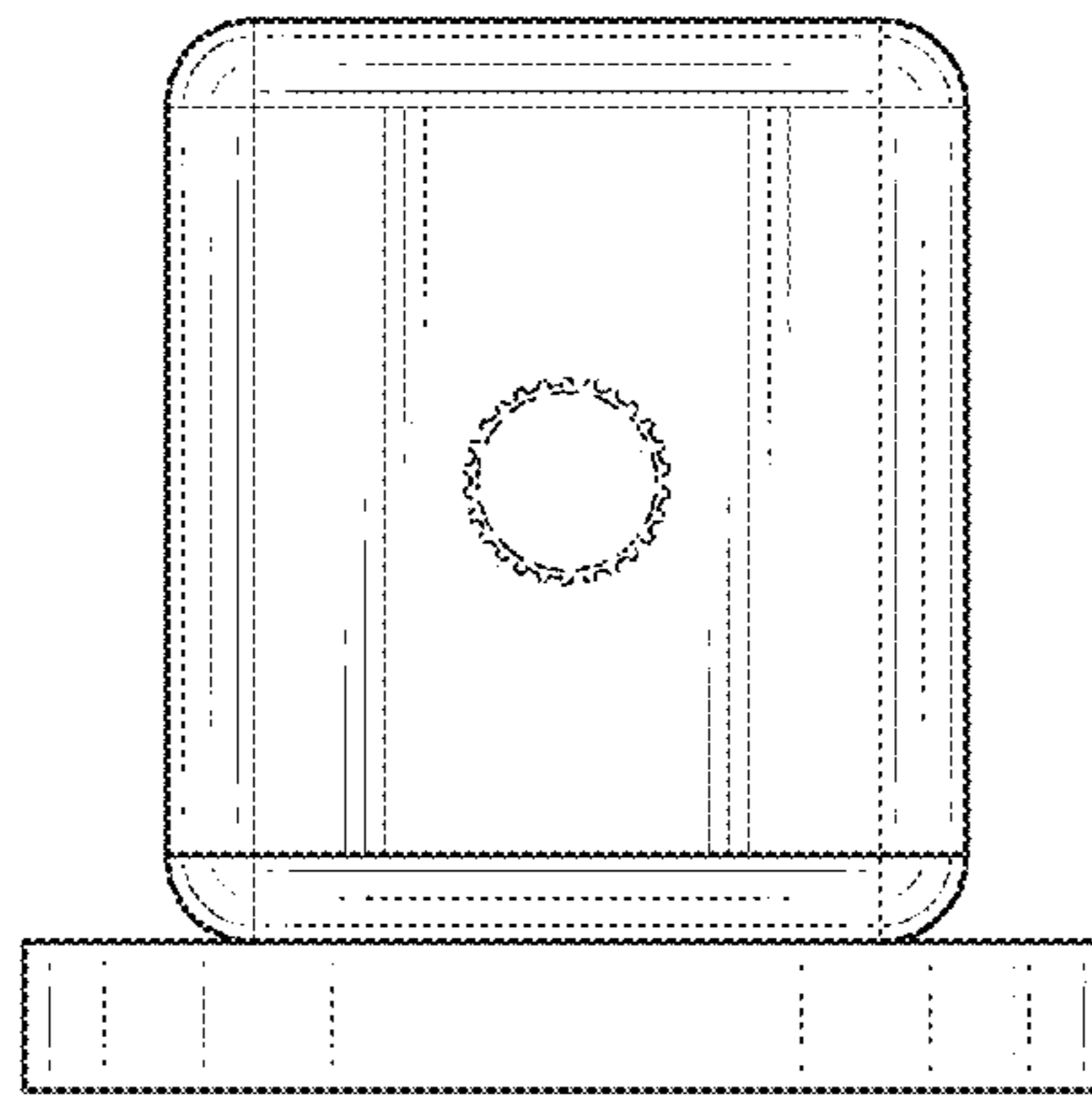


FIG. 7