



US00D907026S

(12) **United States Design Patent** (10) **Patent No.:** **US D907,026 S**
Zhang (45) **Date of Patent:** **** Jan. 5, 2021**

(54) **STAND FOR MOBILE PHONE**

(56) **References Cited**

(71) Applicant: **Rongqing Zhang**, Fujian Province (CN)

U.S. PATENT DOCUMENTS

(72) Inventor: **Rongqing Zhang**, Fujian Province (CN)

D781,297 S *	3/2017	Liao	D14/447
D783,013 S *	4/2017	Chun	D14/253
D789,920 S *	6/2017	Zhang	D14/253
D799,466 S *	10/2017	Sukphist	D14/253
D826,918 S *	8/2018	Lebovitz	D14/253
D840,999 S *	2/2019	Hu	D14/253
D845,961 S *	4/2019	Yao	D14/447
D891,407 S *	7/2020	Folk	D14/240
2016/0318455 A1 *	11/2016	Zhang	F16M 11/2007

(**) Term: **15 Years**

* cited by examiner

(21) Appl. No.: **29/704,663**

(22) Filed: **Sep. 6, 2019**

Primary Examiner — Janice Hallmark

(30) **Foreign Application Priority Data**

Apr. 29, 2019 (CN) 2019 30 206509

(57) **CLAIM**

(51) **LOC (13) Cl.** **14-03**

The ornamental design for a stand for mobile phone, as shown and described.

(52) **U.S. Cl.**
USPC **D14/253**

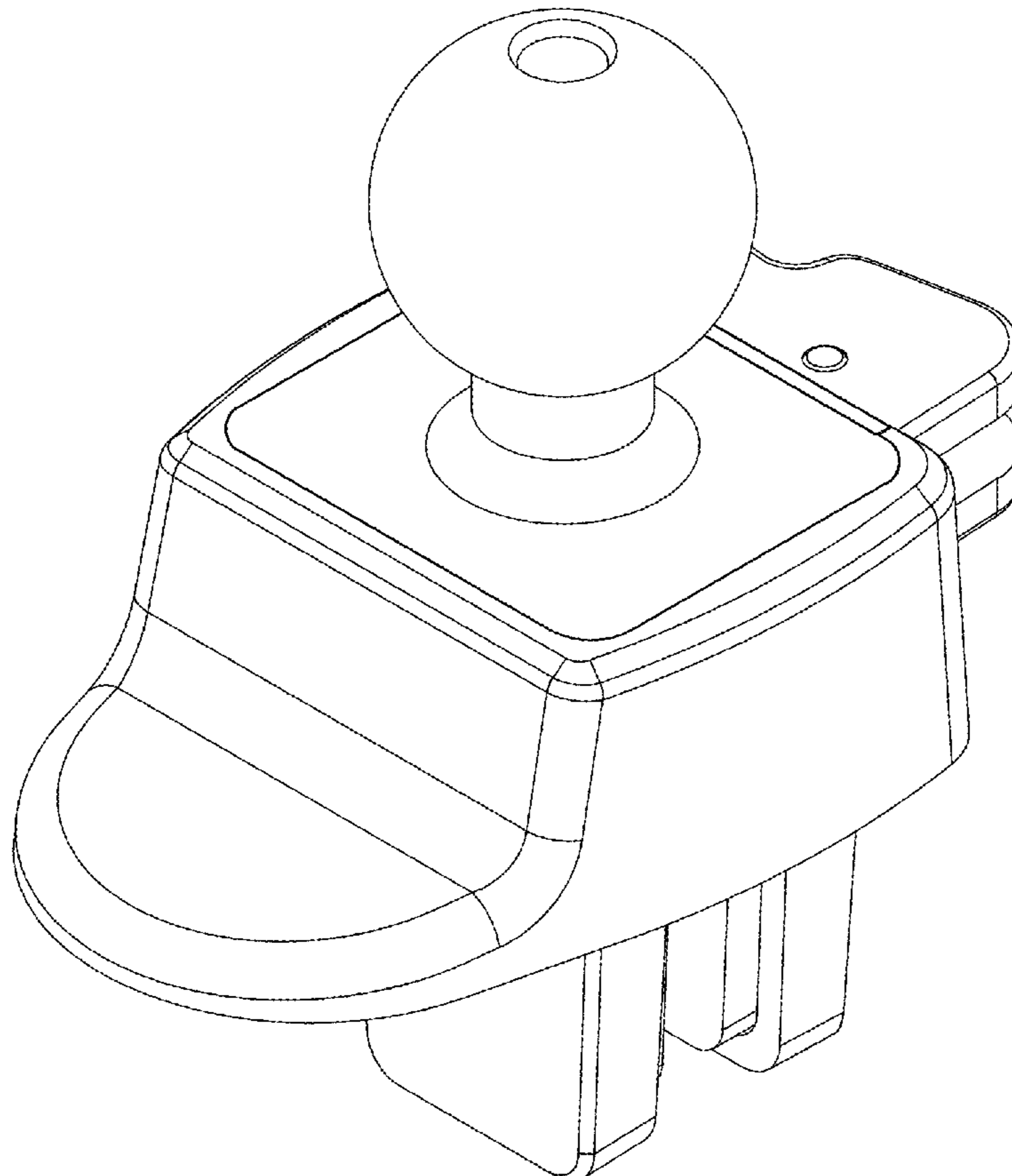
DESCRIPTION

(58) **Field of Classification Search**
USPC D14/217, 251–253, 447, 452, 432–434,
D14/440; D12/415; D3/218; D8/349,
D8/363, 394–396
CPC H04M 1/02; H04M 1/04; B60R 11/02;
F16M 11/00; F16M 11/04; F16M 11/06;
F16M 13/02; F16M 13/00; H05K 7/00;
H05K 5/02; A47G 1/17

FIG. 1 is a perspective view of a stand for mobile phone, showing my new design;
FIG. 2 is a front elevational view thereof;
FIG. 3 is a rear elevational view thereof;
FIG. 4 is a left side elevational view thereof;
FIG. 5 is a right side elevational view thereof;
FIG. 6 is a top plan view thereof; and,
FIG. 7 is a bottom plan view thereof.

See application file for complete search history.

1 Claim, 7 Drawing Sheets



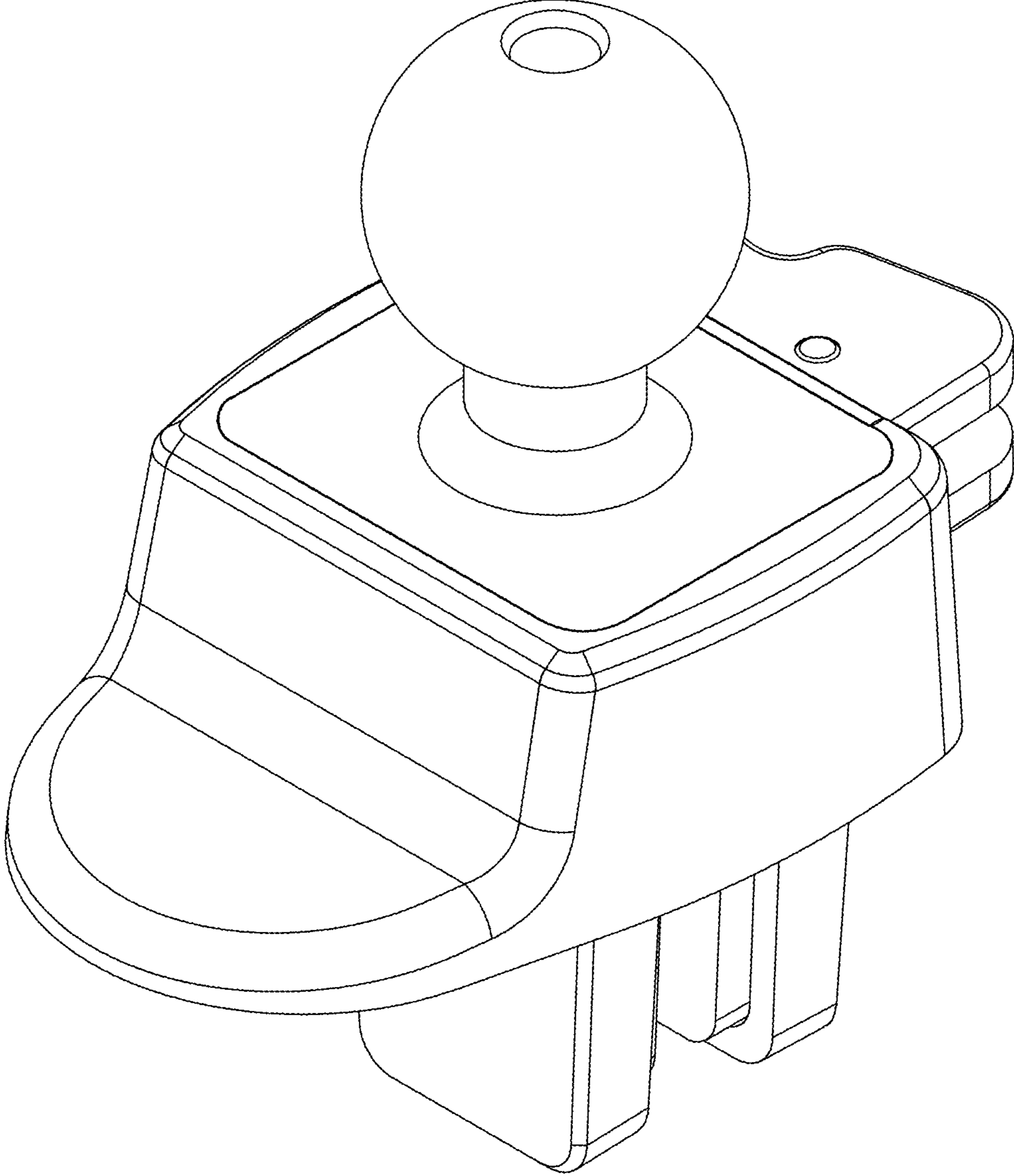


FIG. 1

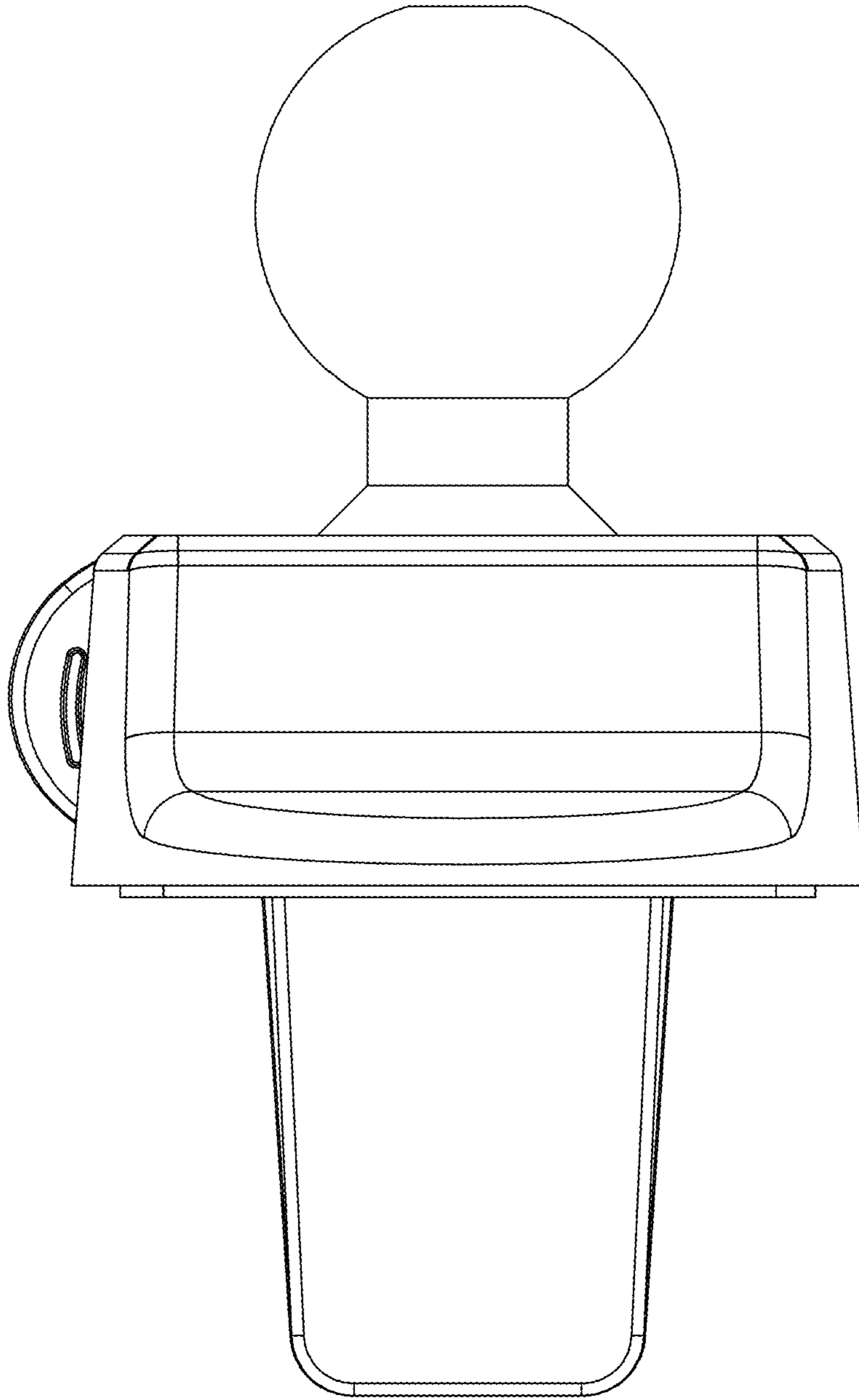


FIG. 2

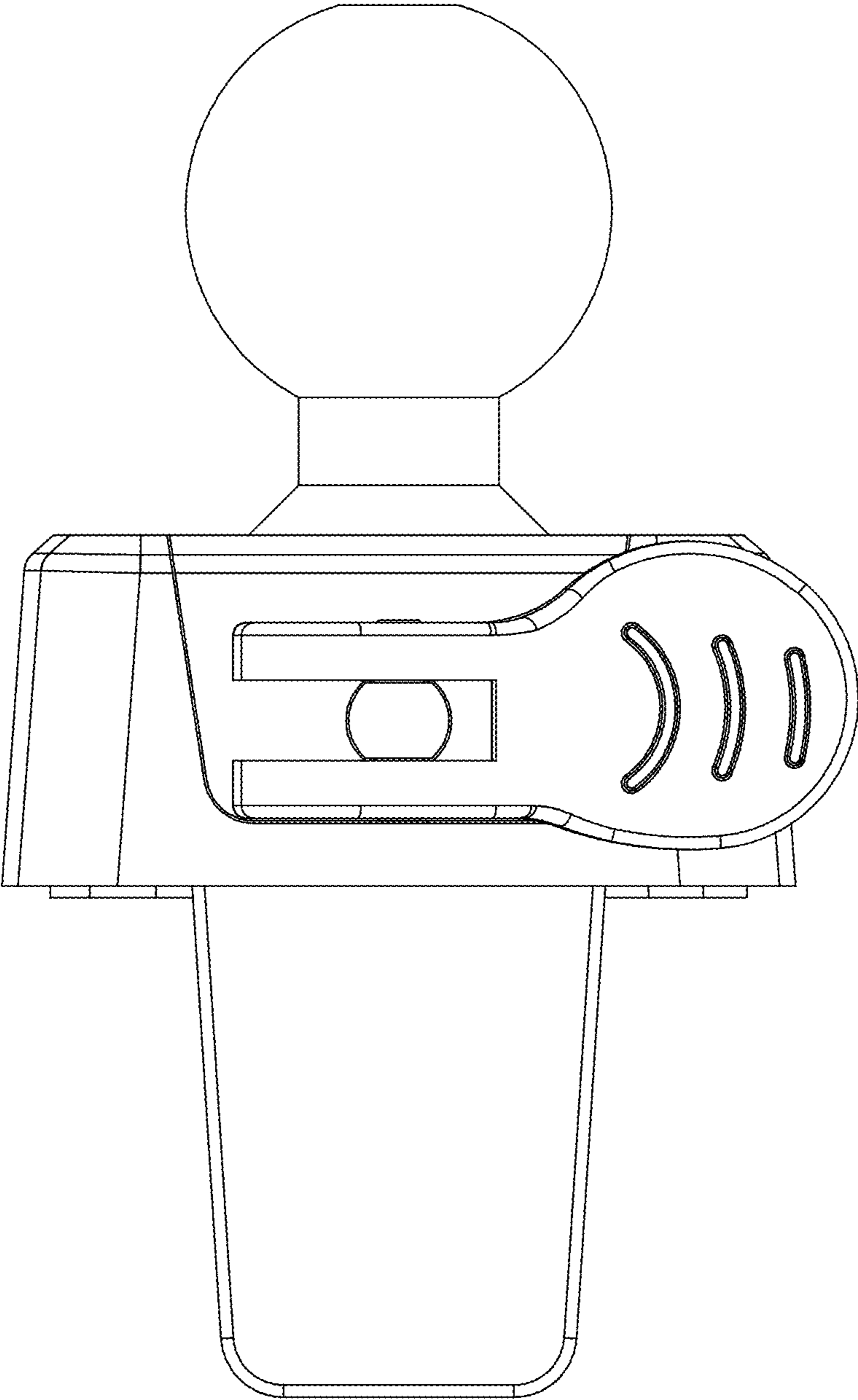


FIG. 3

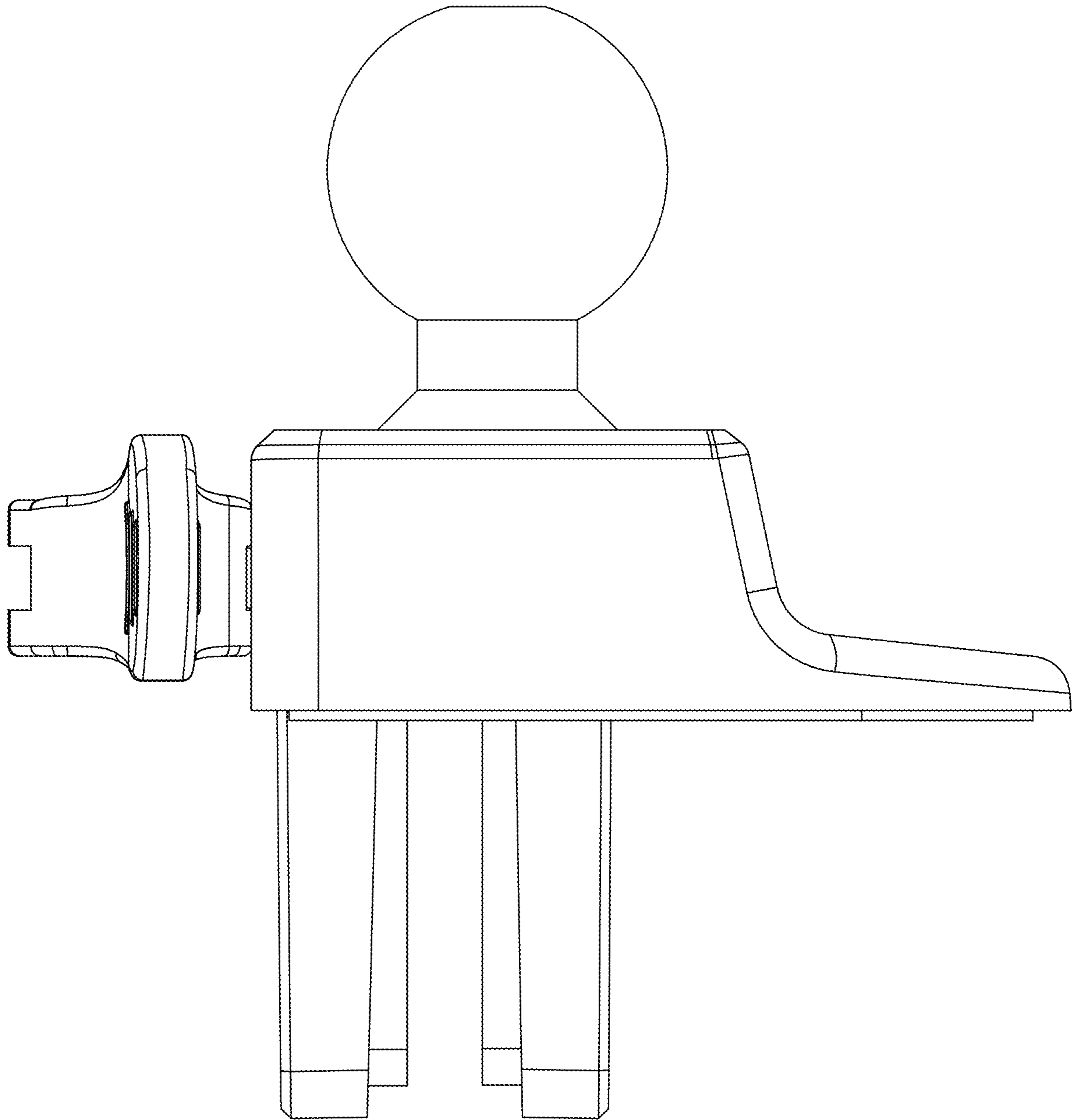


FIG. 4

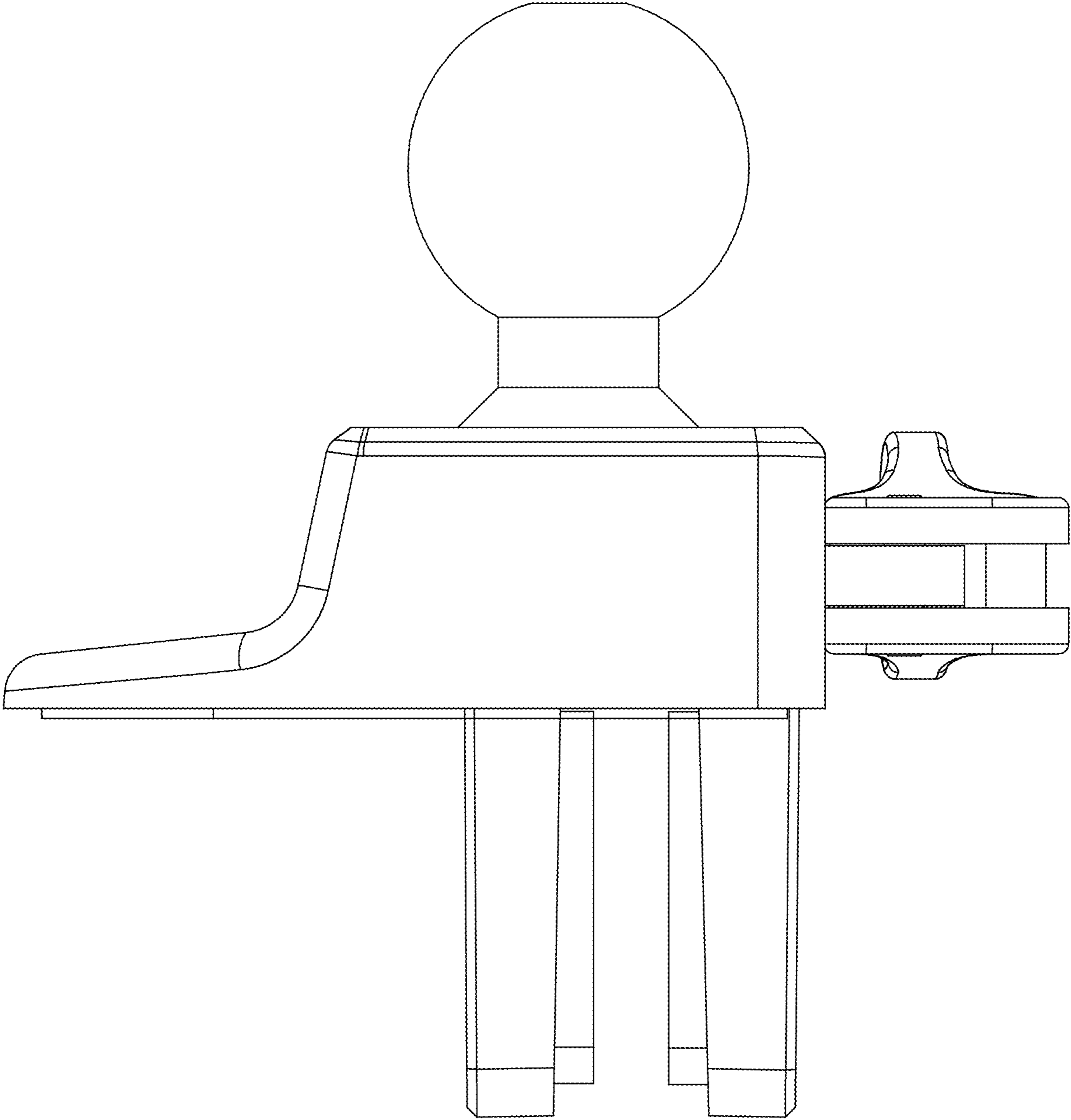


FIG. 5

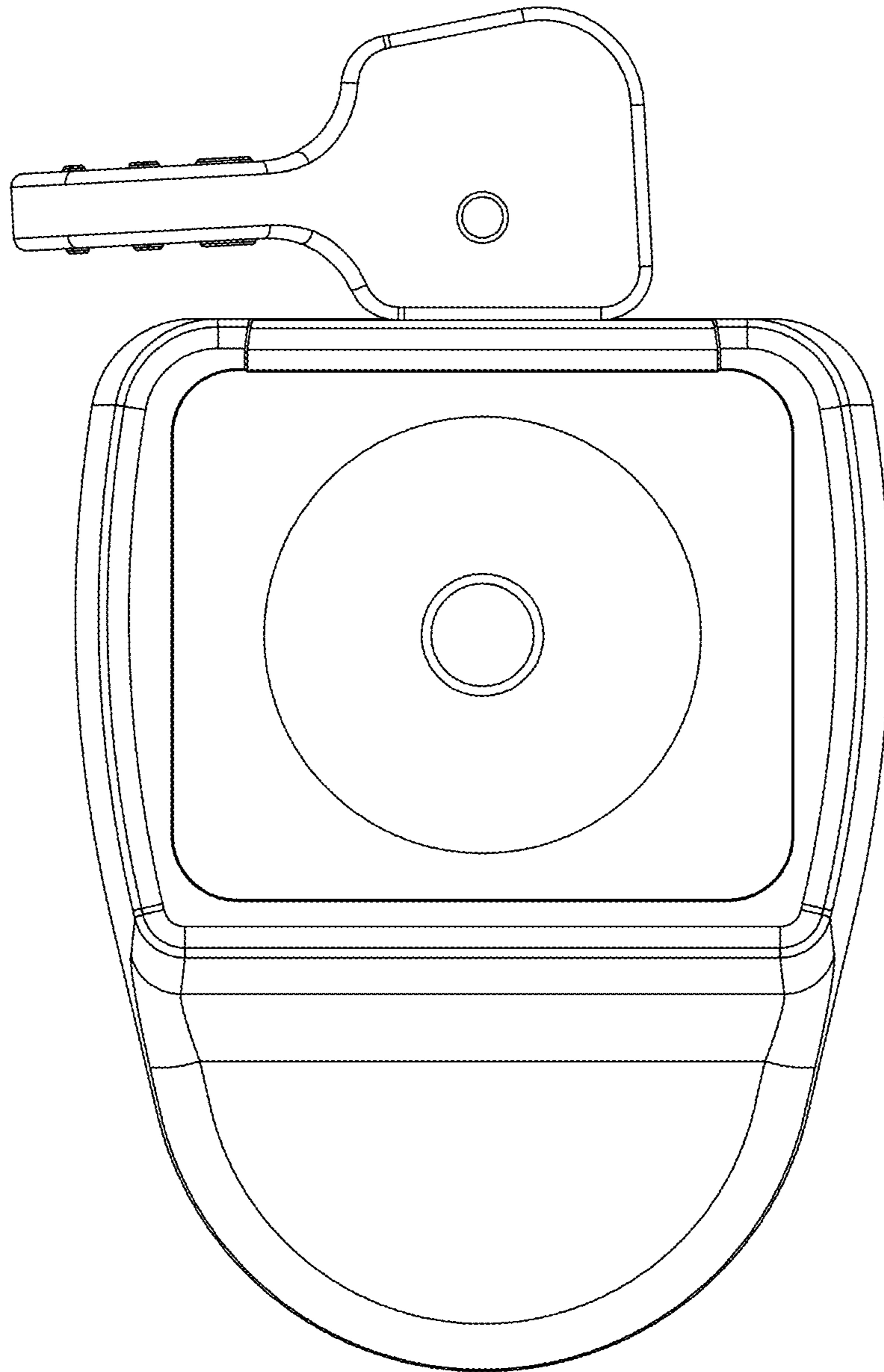


FIG. 6

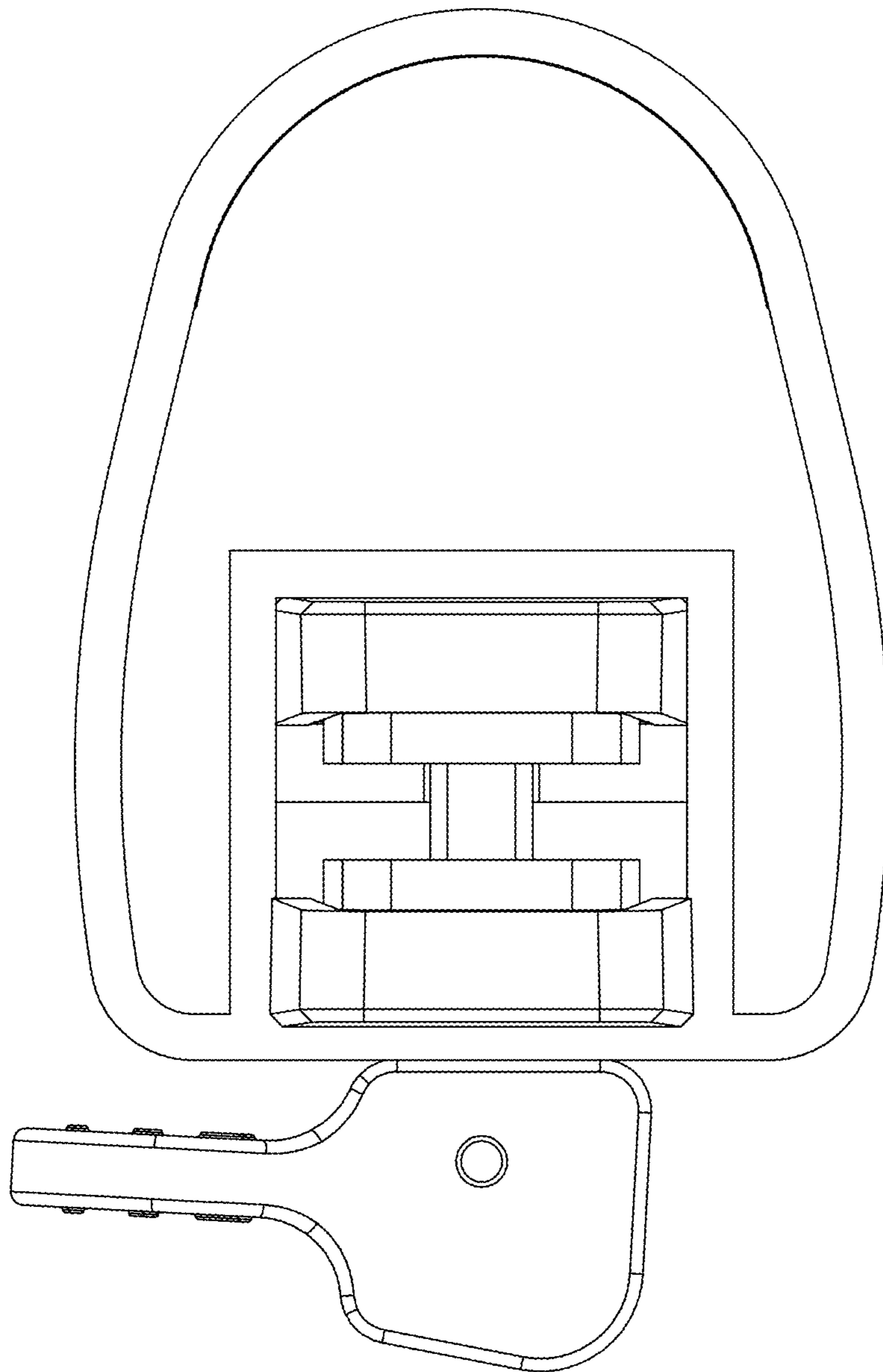


FIG. 7