



US00D907025S

(12) **United States Design Patent**
Corraliza et al.

(10) **Patent No.:** **US D907,025 S**

(45) **Date of Patent:** **** Jan. 5, 2021**

(54) **MOUNT FOR PERSONAL ELECTRONIC DEVICE**

(71) Applicant: **POPSOCKETS LLC**, Boulder, CO (US)

(72) Inventors: **Steven Corraliza**, Oakland, CA (US); **Alex Tittiger**, San Francisco, CA (US); **David F. Willson**, San Francisco, CA (US); **Michael J. Kory**, Erie, CO (US); **Lawrence Herman Fong**, San Francisco, CA (US); **Randy Yang Chiang**, San Francisco, CA (US)

(73) Assignee: **POPSOCKETS LLC**, Boulder, CO (US)

(**) Term: **15 Years**

(21) Appl. No.: **29/699,041**

(22) Filed: **Jul. 23, 2019**

(51) **LOC (13) Cl.** **14-03**

(52) **U.S. Cl.**
USPC **D14/253**

(58) **Field of Classification Search**
USPC D14/217, 251–253, 447, 452, 432–434, D14/440; D12/415; D3/218; D8/349, D8/363, 394–396
CPC H04M 1/02; H04M 1/04; B60R 11/02; F16M 11/00; F16M 11/04; F16M 11/06; F16M 13/02; F16M 13/00; H05K 7/00; H05K 5/02; A47G 1/17
See application file for complete search history.

(56) **References Cited**

U.S. PATENT DOCUMENTS

D595,130 S * 6/2009 Bizzell D9/434
D597,828 S * 8/2009 Tanaka D8/354
D608,189 S * 1/2010 Jackson D8/395
D620,884 S * 8/2010 Lee D13/108

D708,187 S * 7/2014 Xiang D14/447
D719,146 S * 12/2014 Herbst D14/253
D723,021 S * 2/2015 Guyot D14/253
D746,807 S * 1/2016 McGarry D14/253
D763,244 S * 8/2016 McGarry D14/253
D777,022 S * 1/2017 Barnett D8/394
D783,593 S * 4/2017 Chen D14/253
D784,978 S * 4/2017 Hobbs D14/253
D793,994 S * 8/2017 Herbst D14/217

(Continued)

Primary Examiner — Janice Hallmark

(74) *Attorney, Agent, or Firm* — Holland & Hart LLP

(57) **CLAIM**

The ornamental design for a mount for personal electronic device, as shown and described.

DESCRIPTION

FIG. 1 is a perspective view of a new design for a mount for personal electronic device, shown occupying a first configuration;

FIG. 2 is a front view of FIG. 1;

FIG. 3 is a rear view of FIG. 1;

FIG. 4 is a right-side view of FIG. 1;

FIG. 5 is a left-side view of FIG. 1;

FIG. 6 is a top view of FIG. 1;

FIG. 7 is a bottom view of FIG. 1;

FIG. 8 is a perspective view of the mount for personal electronic device of FIG. 1, shown occupying a second configuration;

FIG. 9 is a front view of FIG. 8;

FIG. 10 is a rear view of FIG. 8;

FIG. 11 is a right-side view of FIG. 8;

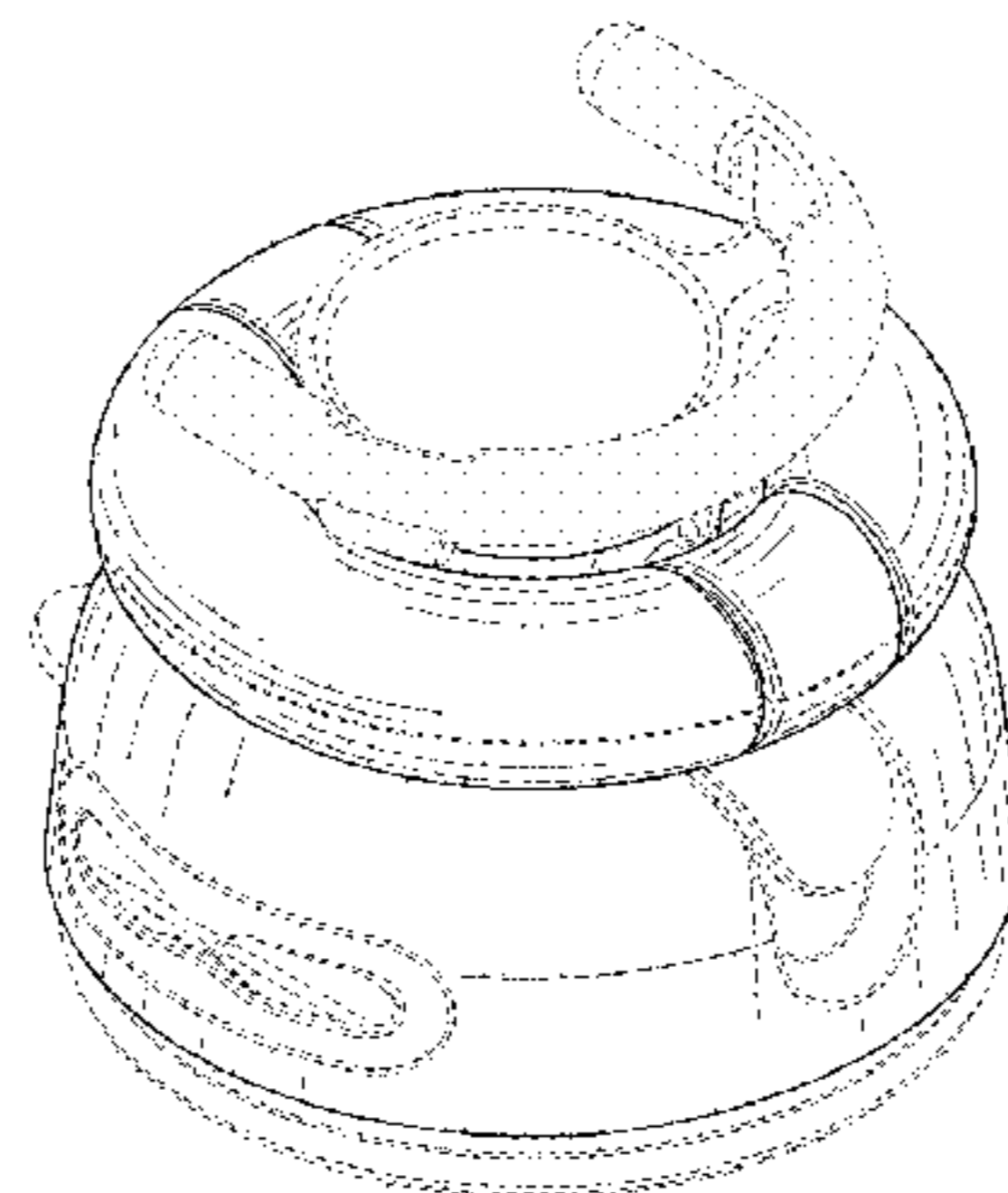
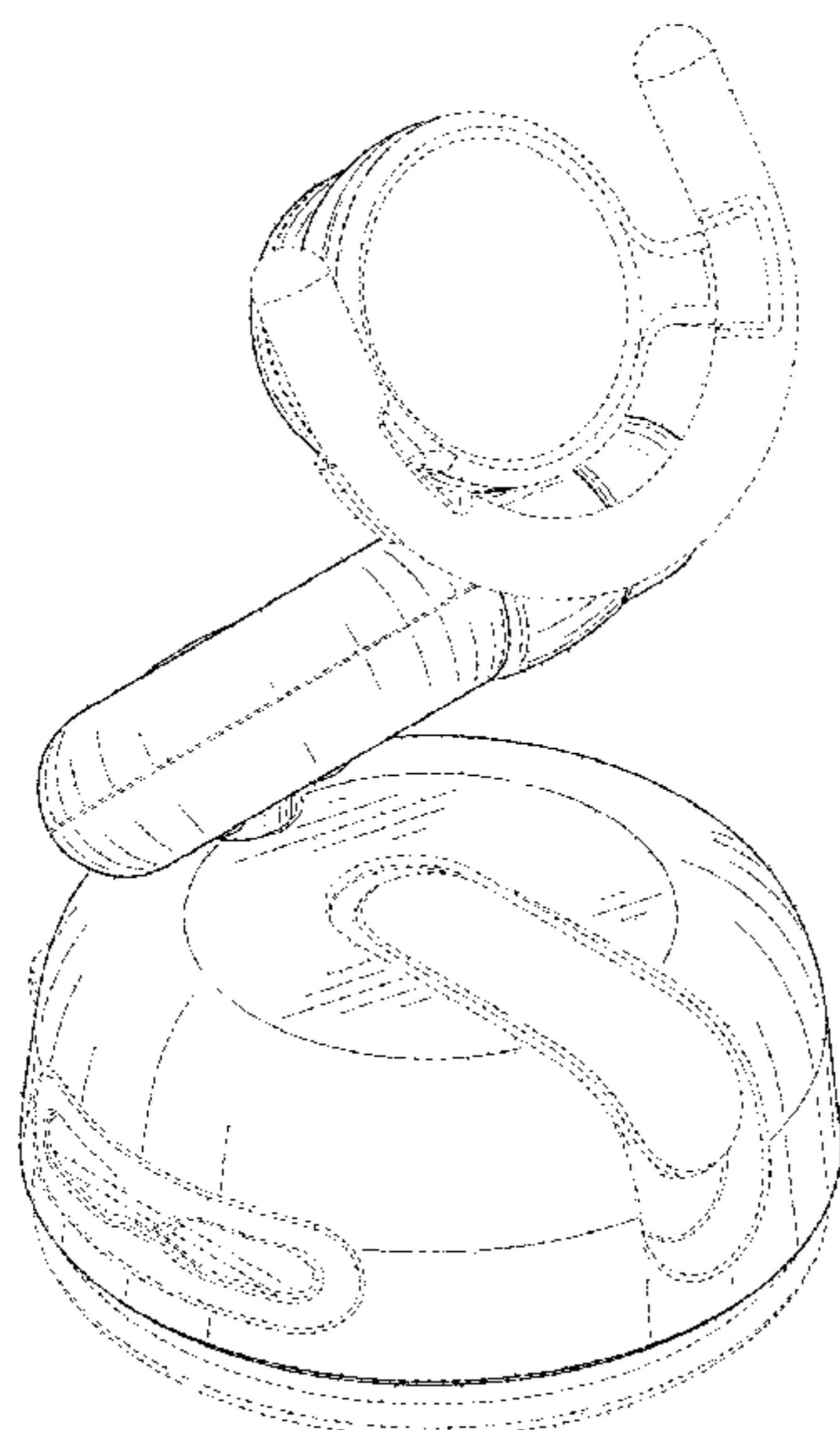
FIG. 12 is a left-side view of FIG. 8;

FIG. 13 is a top view of FIG. 8; and,

FIG. 14 is a bottom view of FIG. 8.

The broken lines showing portions of the mount for personal electronic device are included for the purpose of illustrating environment and form no part of the claimed design.

1 Claim, 12 Drawing Sheets



(56)

References Cited

U.S. PATENT DOCUMENTS

D802,404 S *	11/2017	Turksu	D8/373
D807,339 S *	1/2018	Lan	D14/253
D818,808 S *	5/2018	Barnett	D8/394
D825,549 S *	8/2018	Lebovitz	D14/253
D844,009 S *	3/2019	Kim	D14/434
D848,412 S *	5/2019	Greve	D14/253
D852,188 S *	6/2019	He	D14/253
D862,453 S *	10/2019	Liang	D14/253
D865,752 S *	11/2019	Richardson	D14/253
D866,548 S *	11/2019	Tan	D14/253
D873,260 S *	1/2020	Dang	D14/253
D878,352 S *	3/2020	Yang	D14/253
D883,273 S *	5/2020	Chen	D14/253
2012/0241581 A1 *	9/2012	Chung	F16M 11/10 248/346.06
2014/0135062 A1 *	5/2014	Bevirt	F16M 11/2078 455/556.1
2016/0353867 A1 *	12/2016	Due	A45F 5/00

* cited by examiner

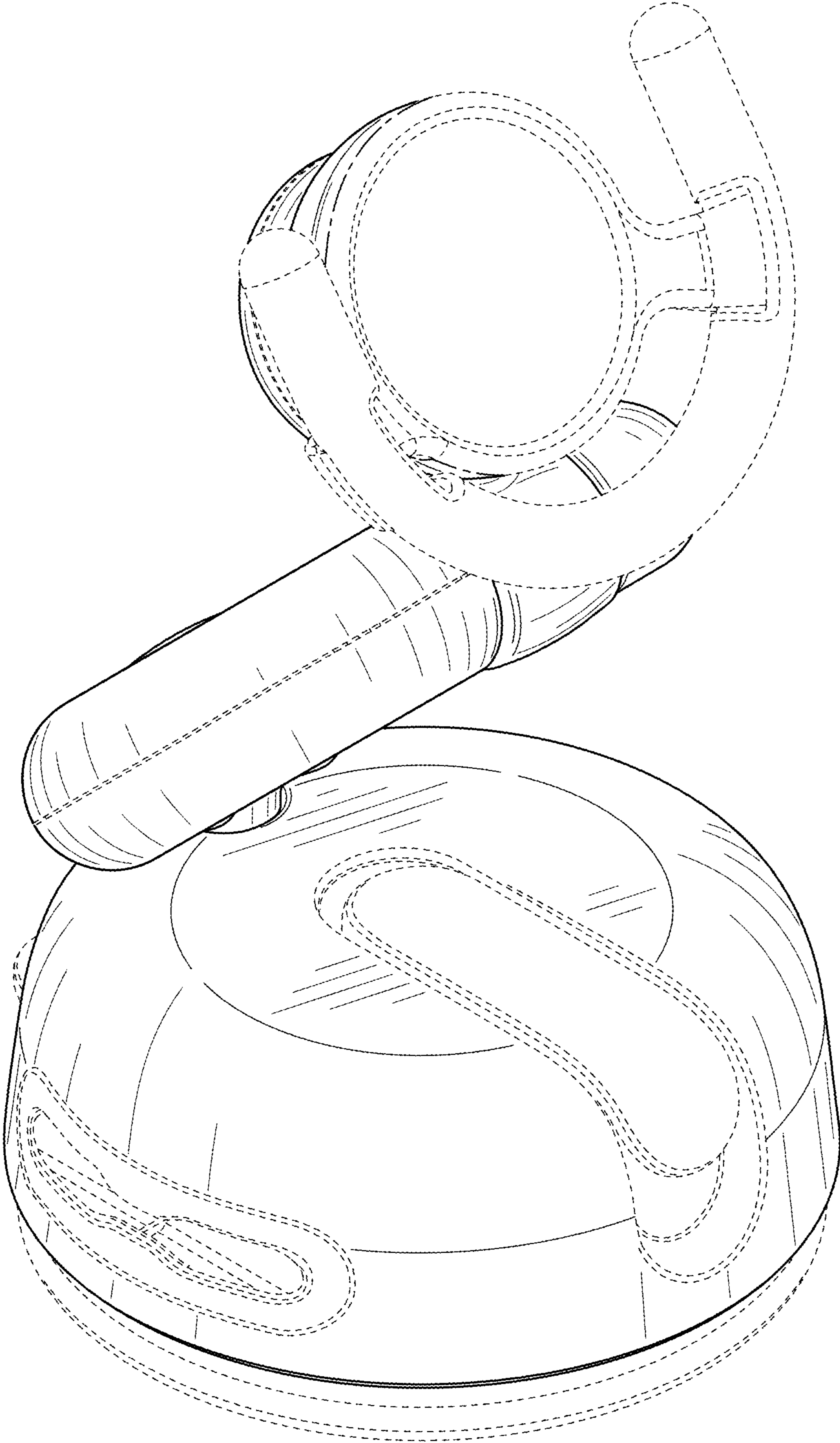


FIG. 1

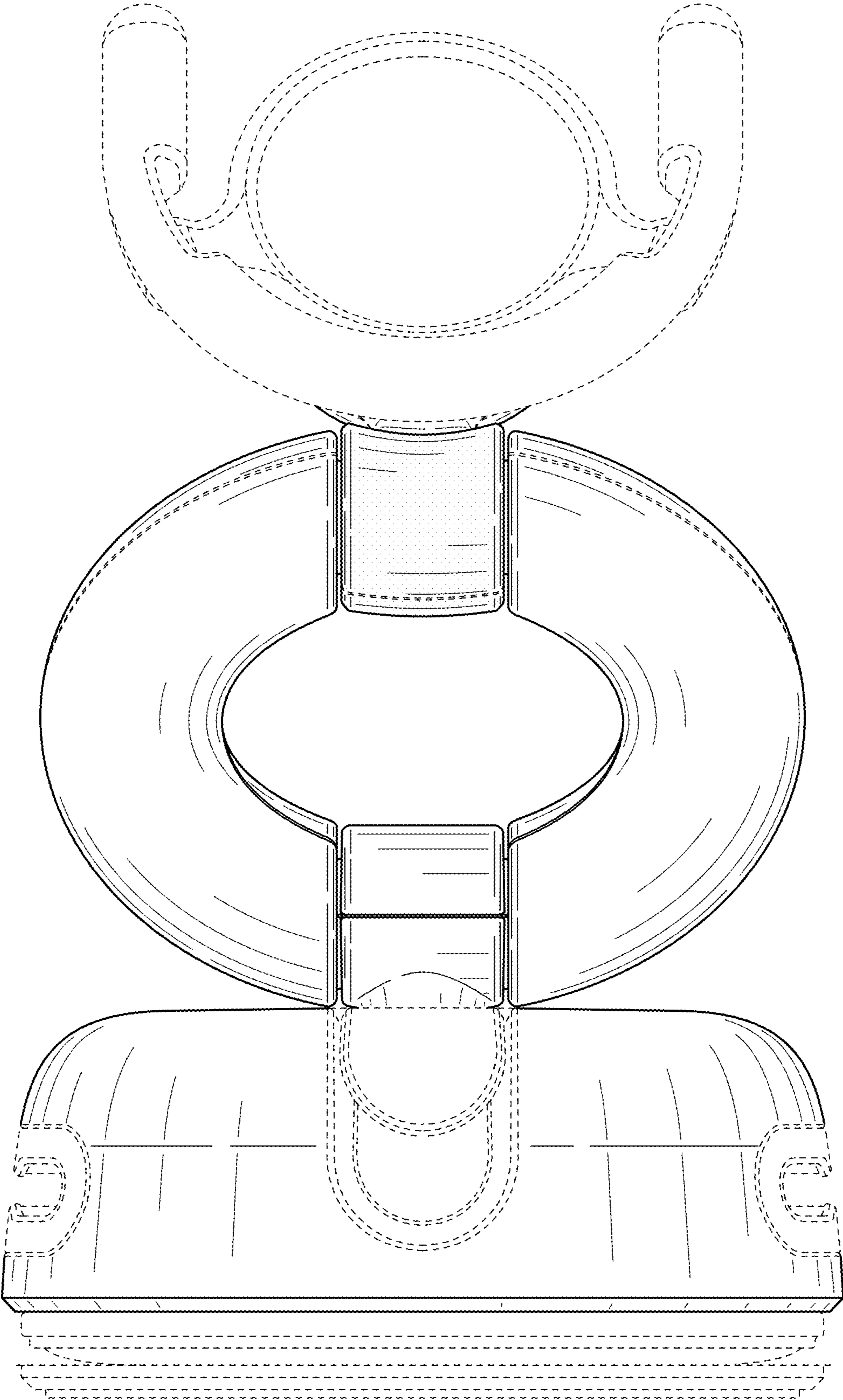


FIG. 2

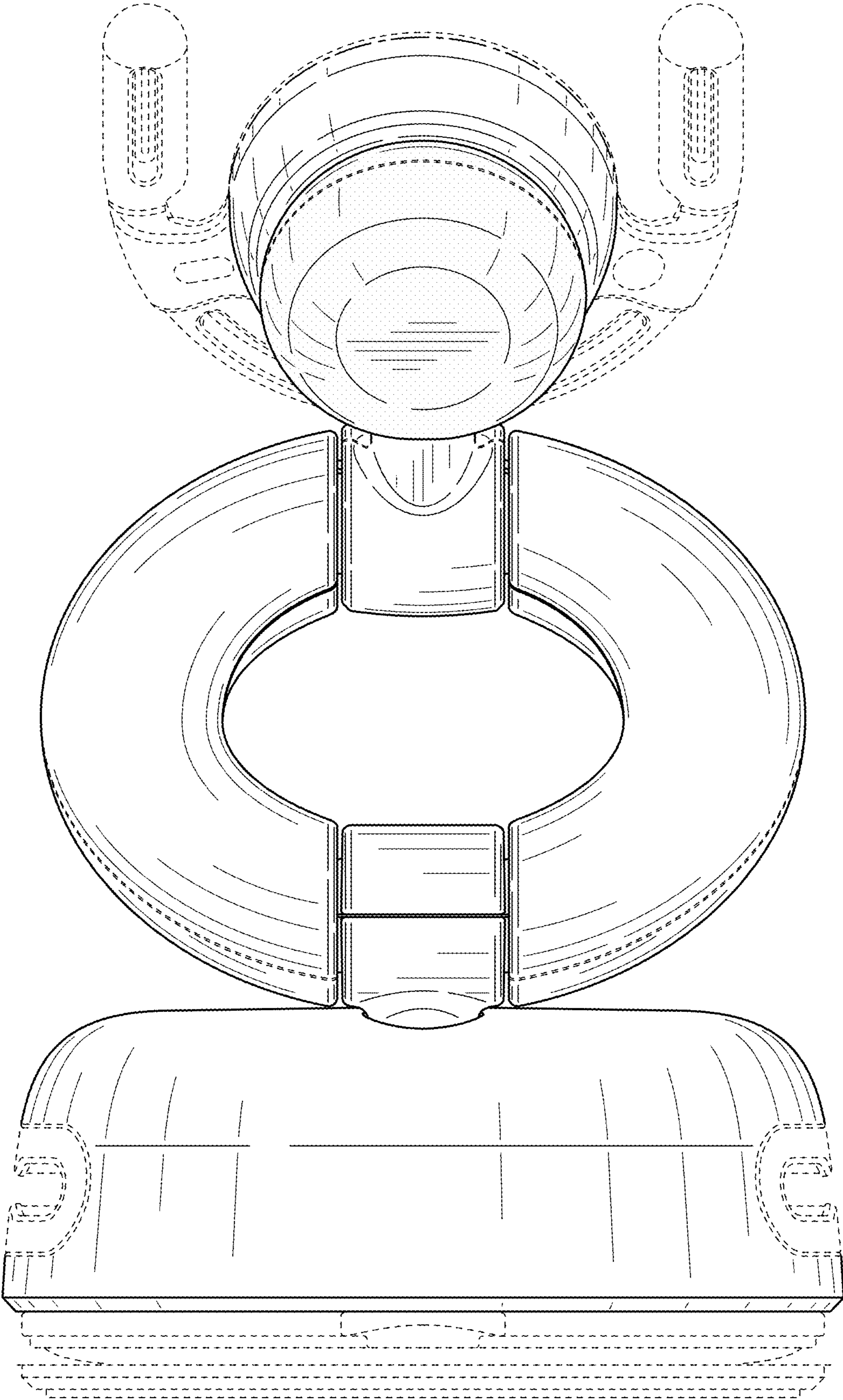


FIG. 3

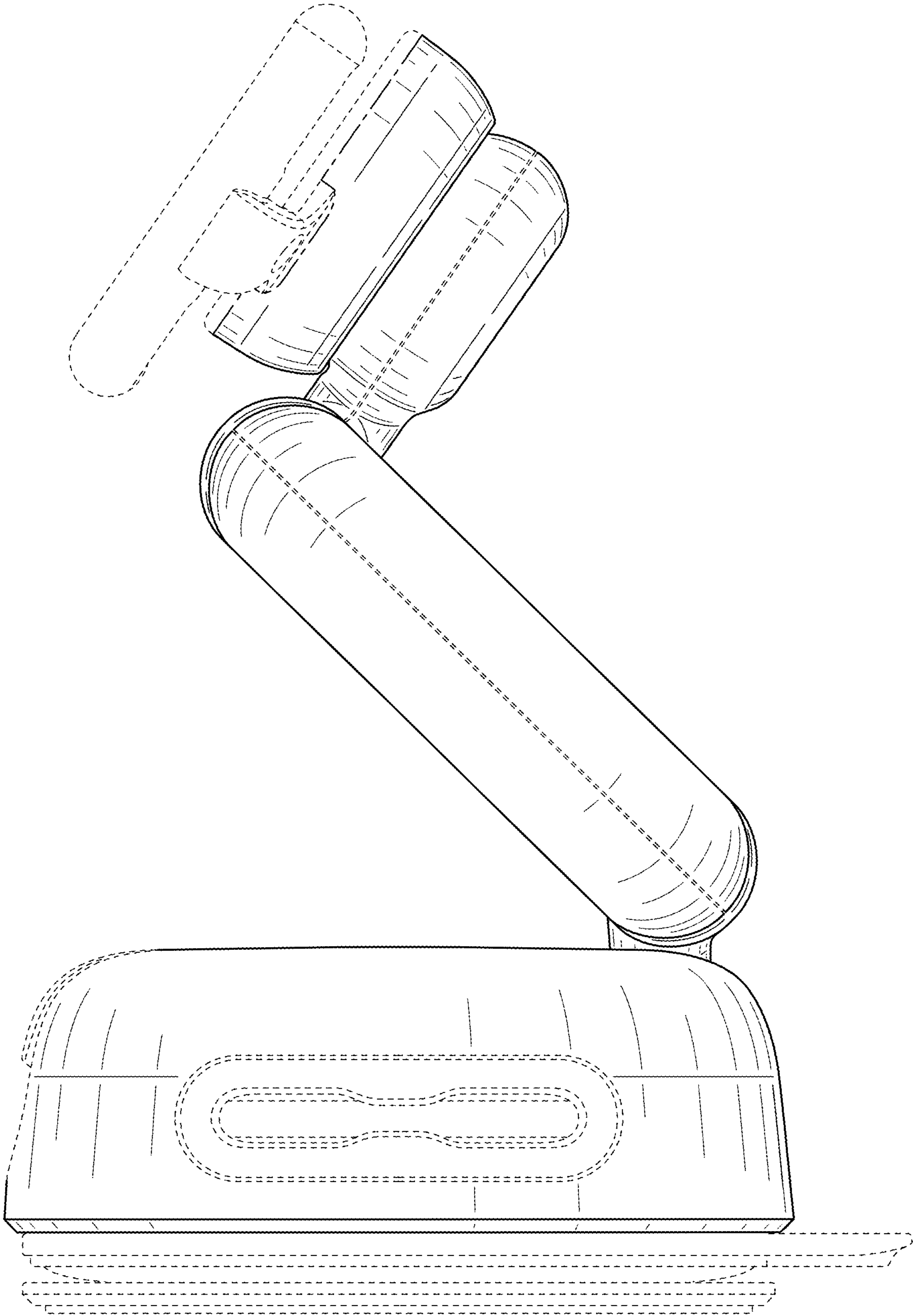


FIG. 4

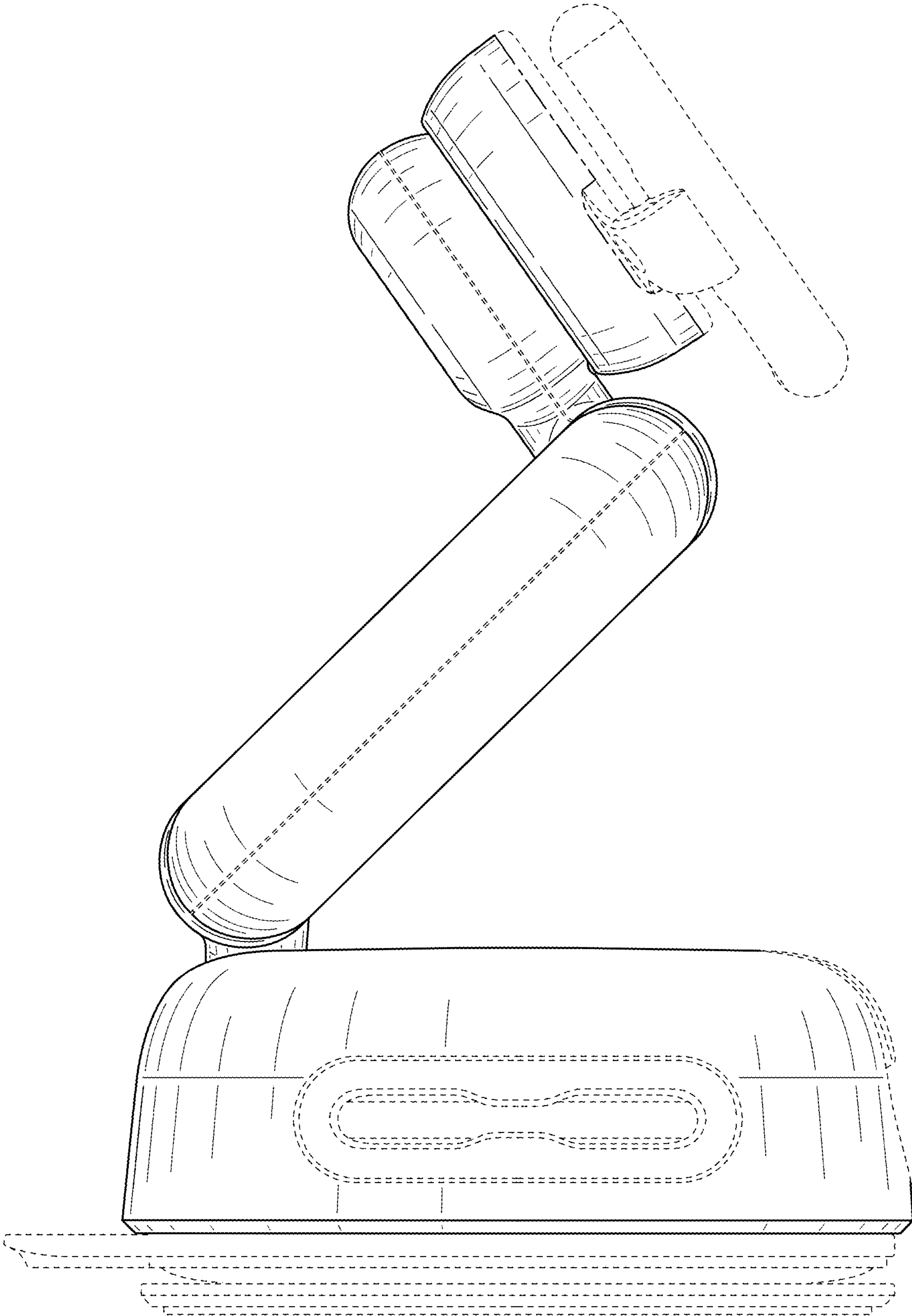


FIG. 5

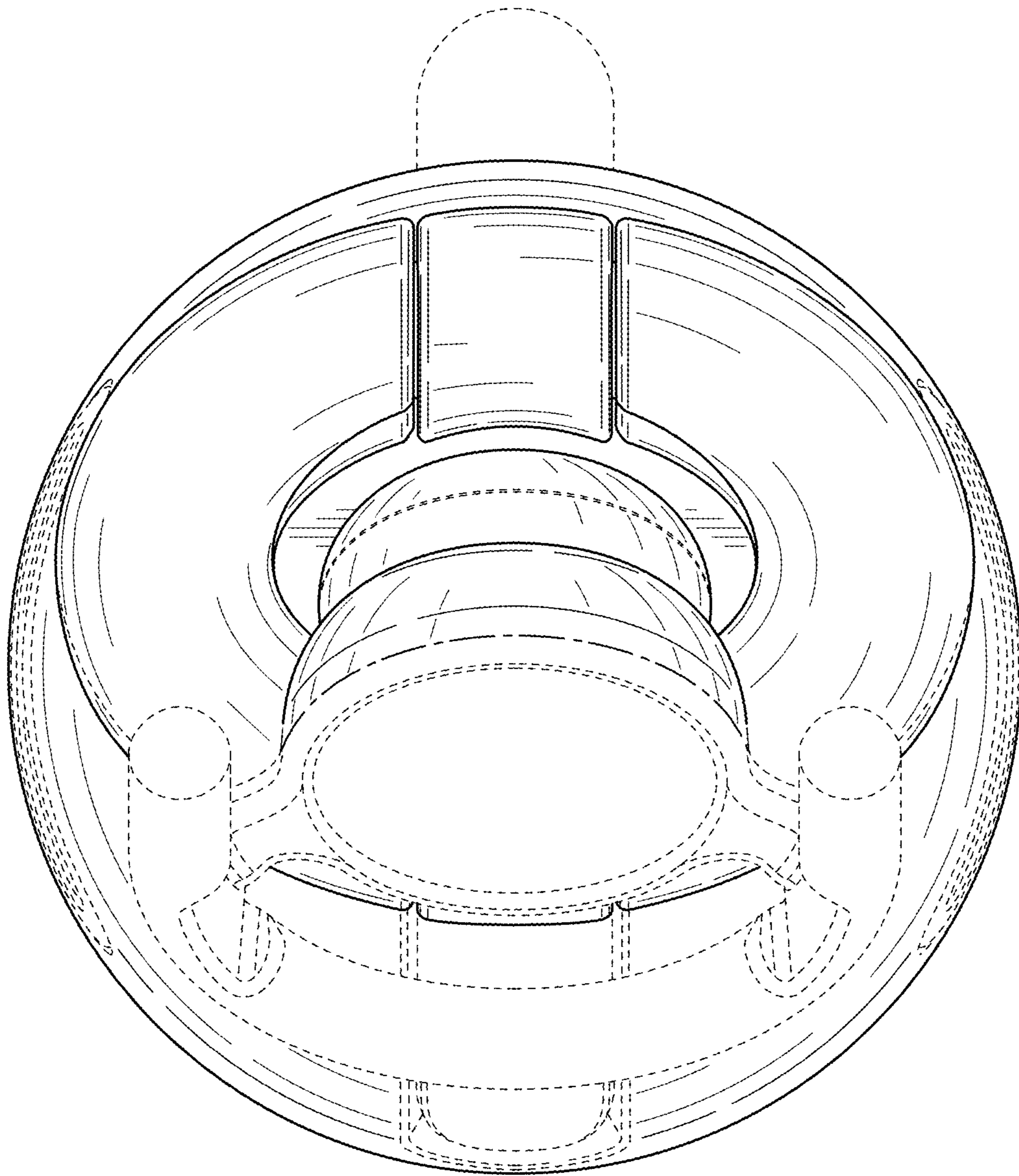


FIG. 6

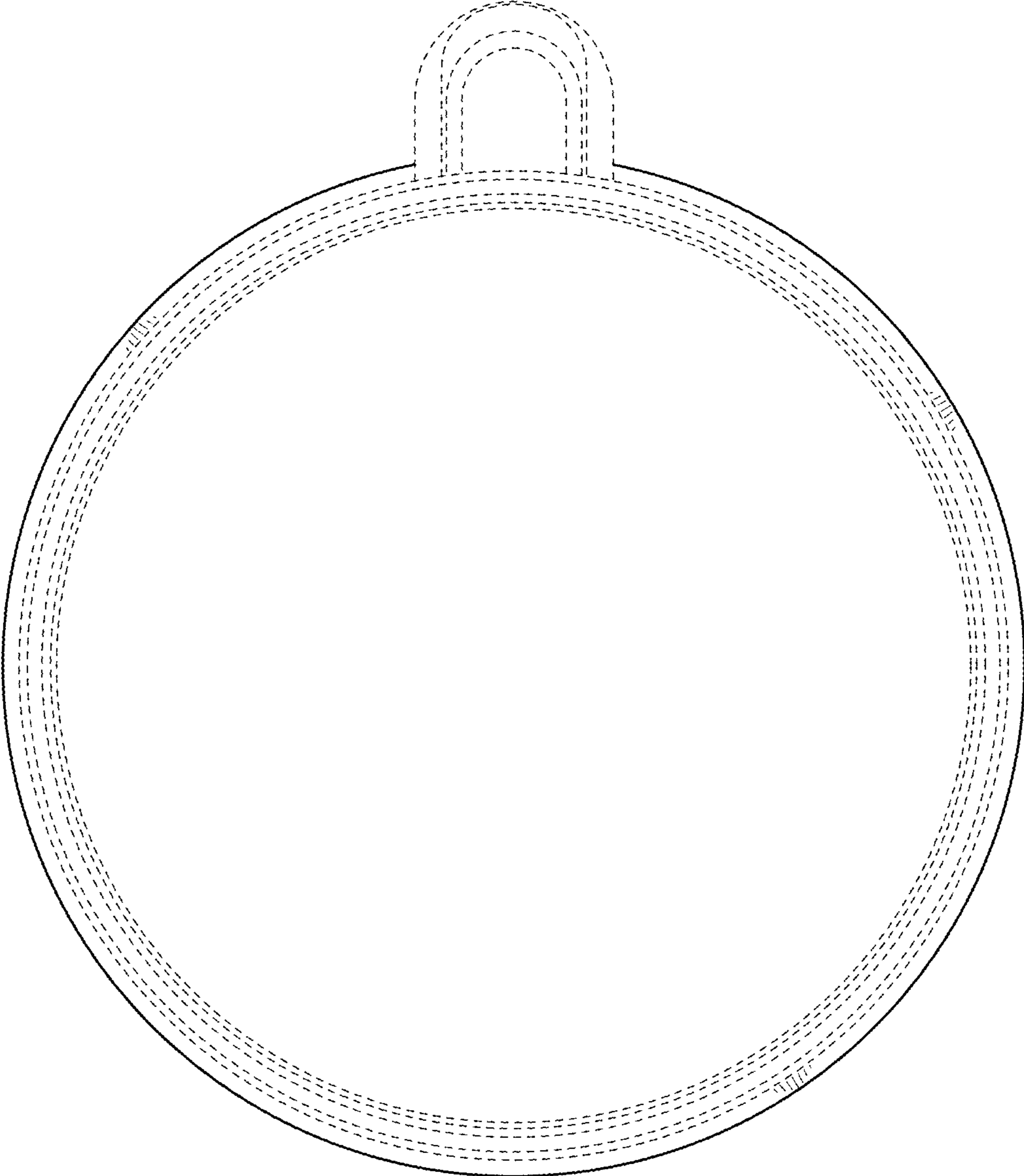


FIG. 7

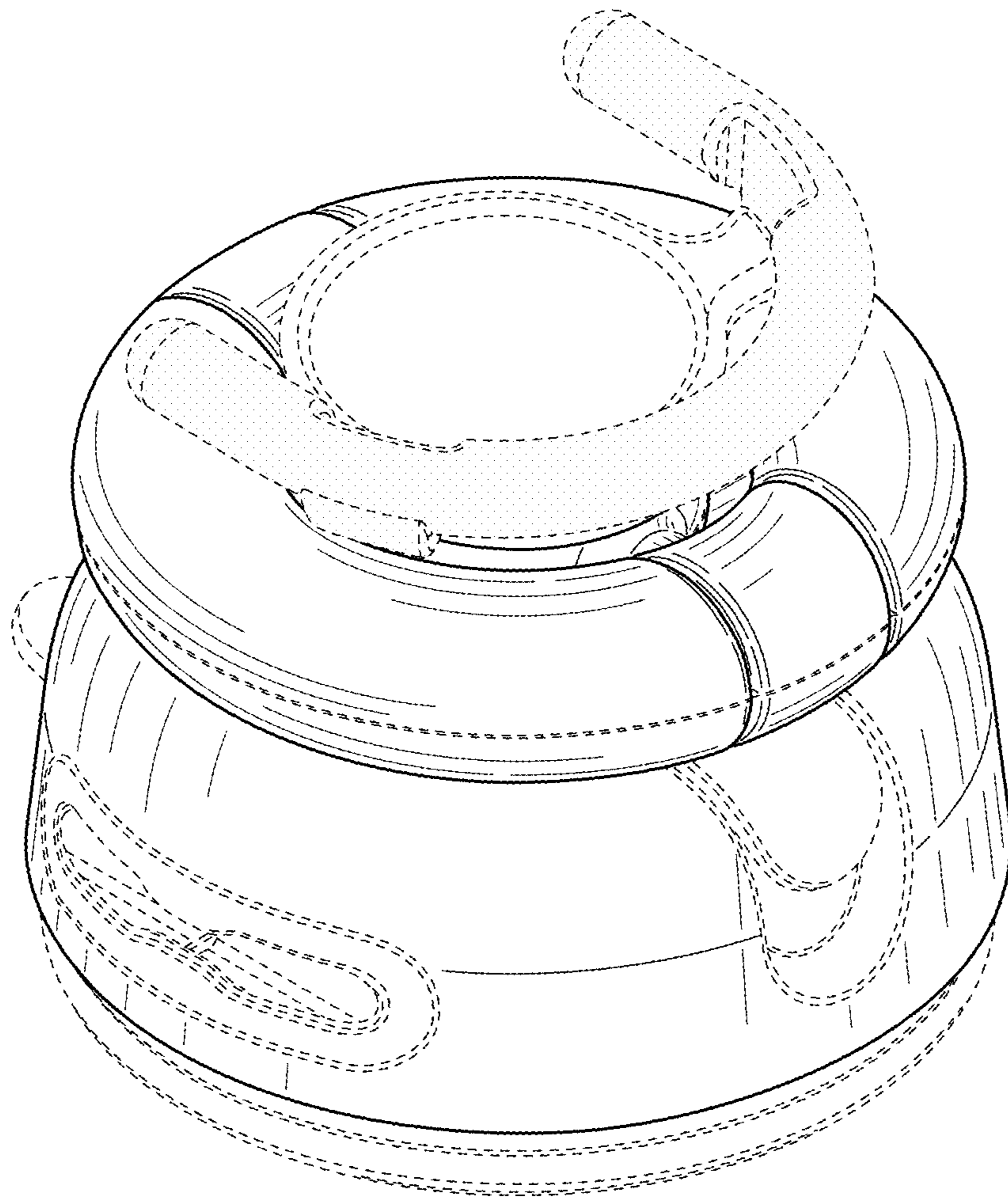


FIG. 8

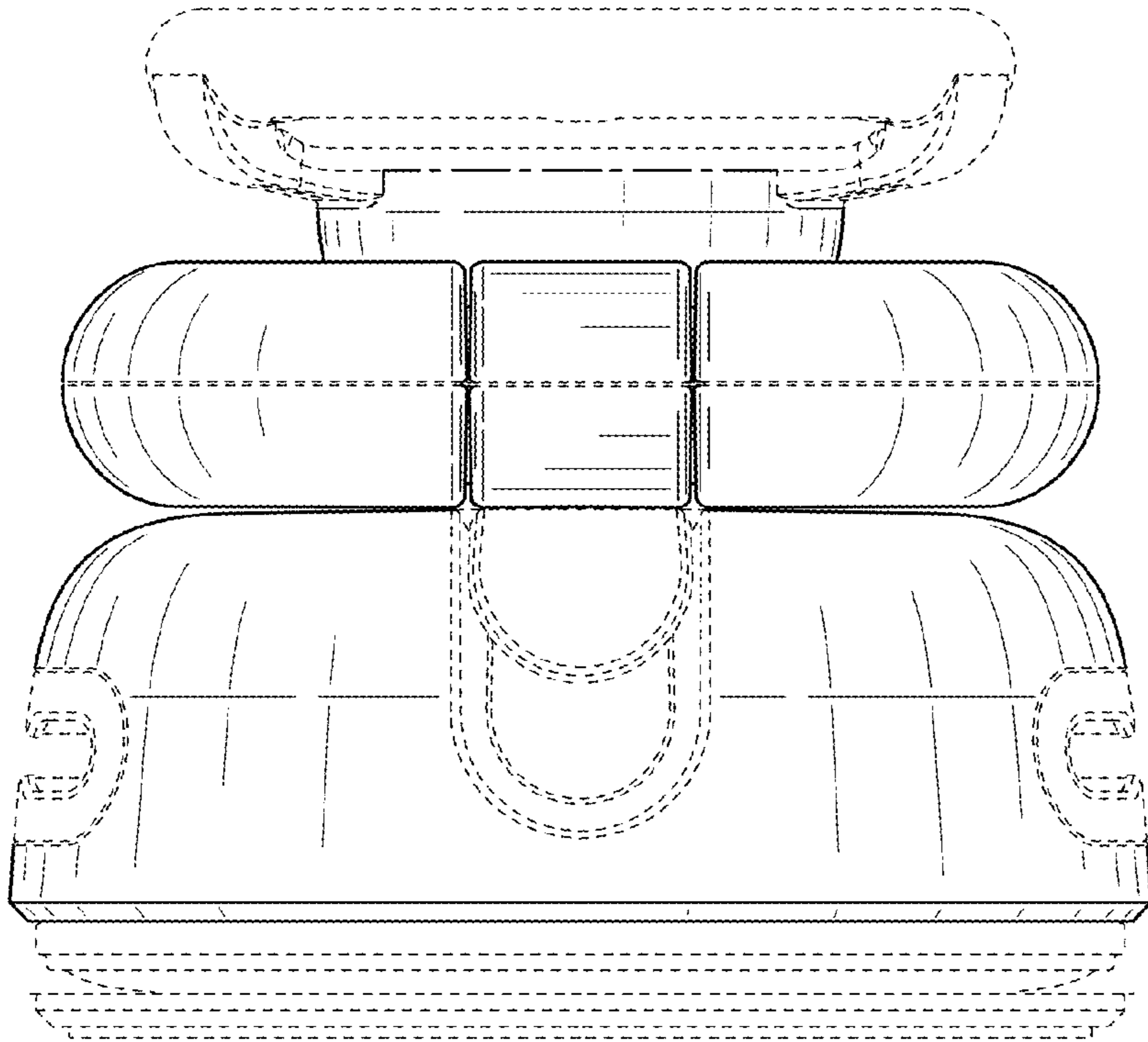


FIG. 9

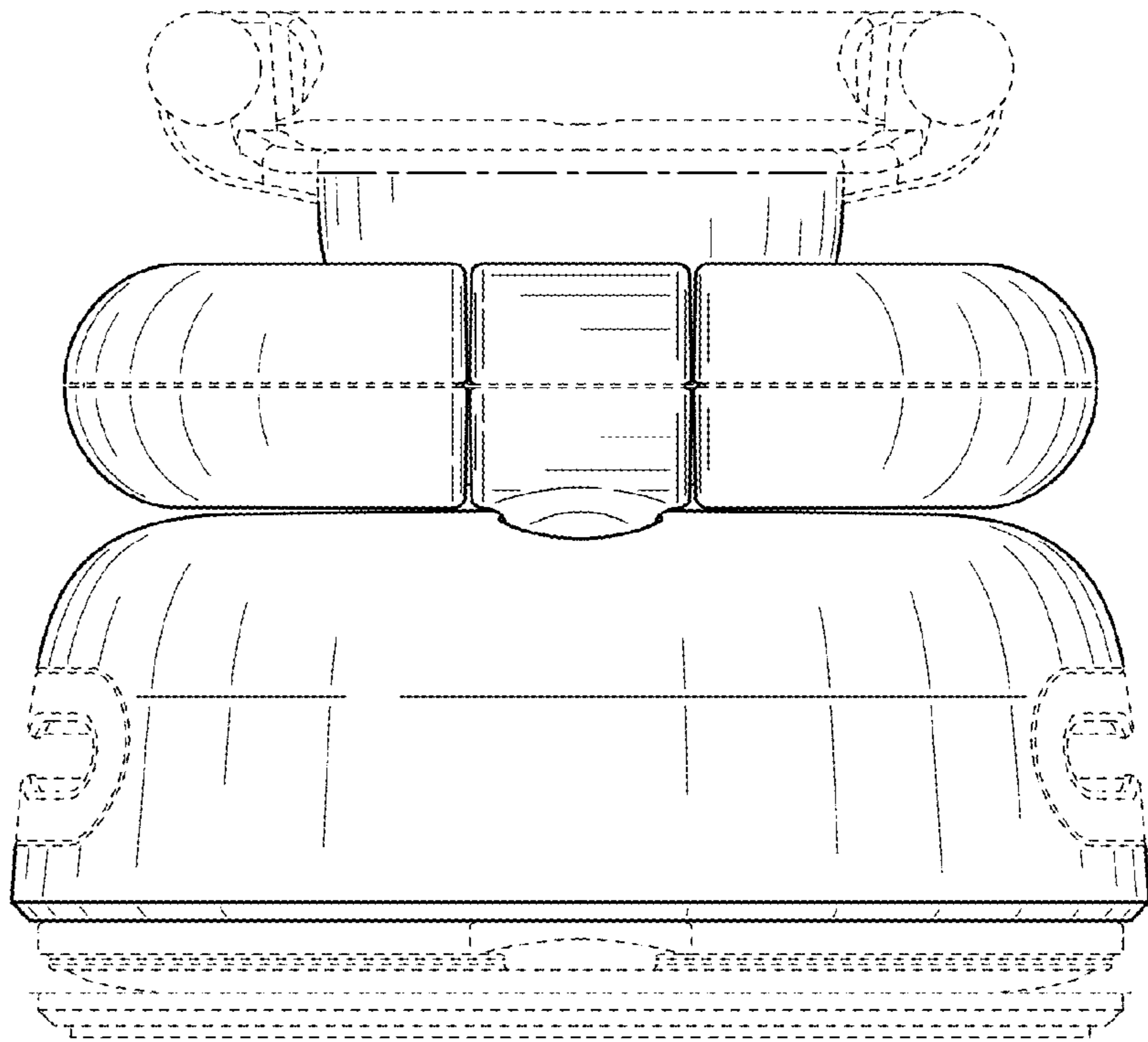


FIG. 10

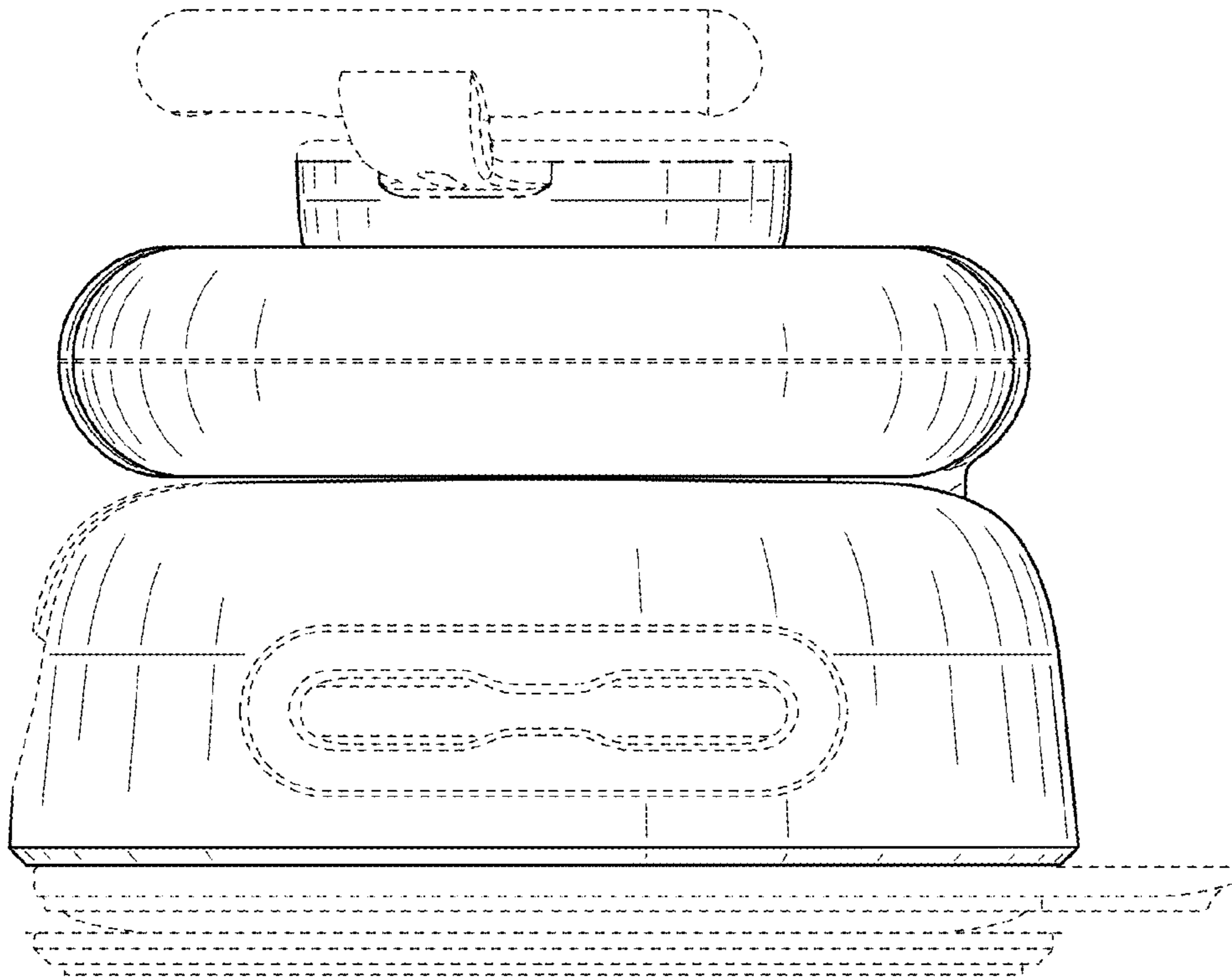


FIG. 11

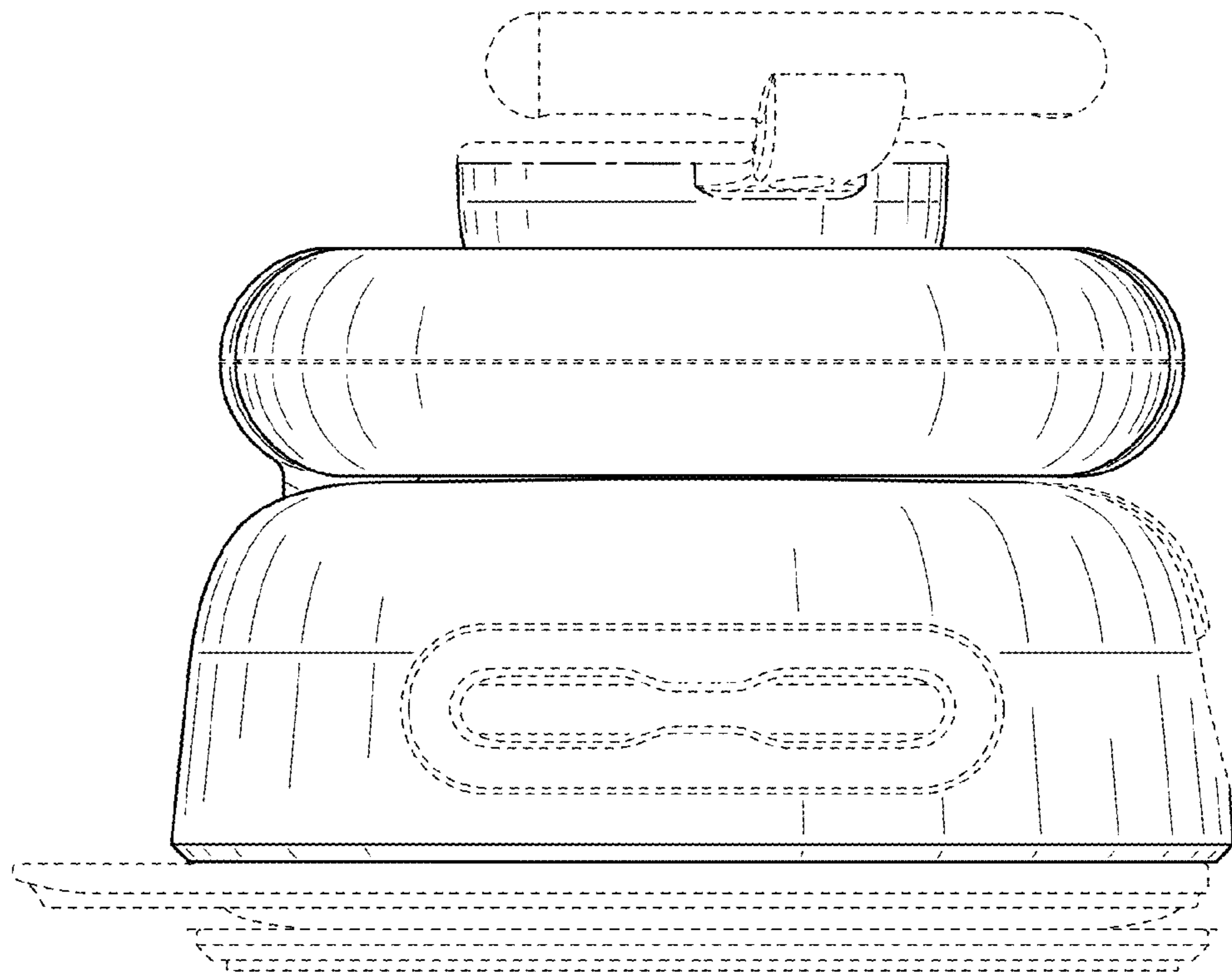


FIG. 12

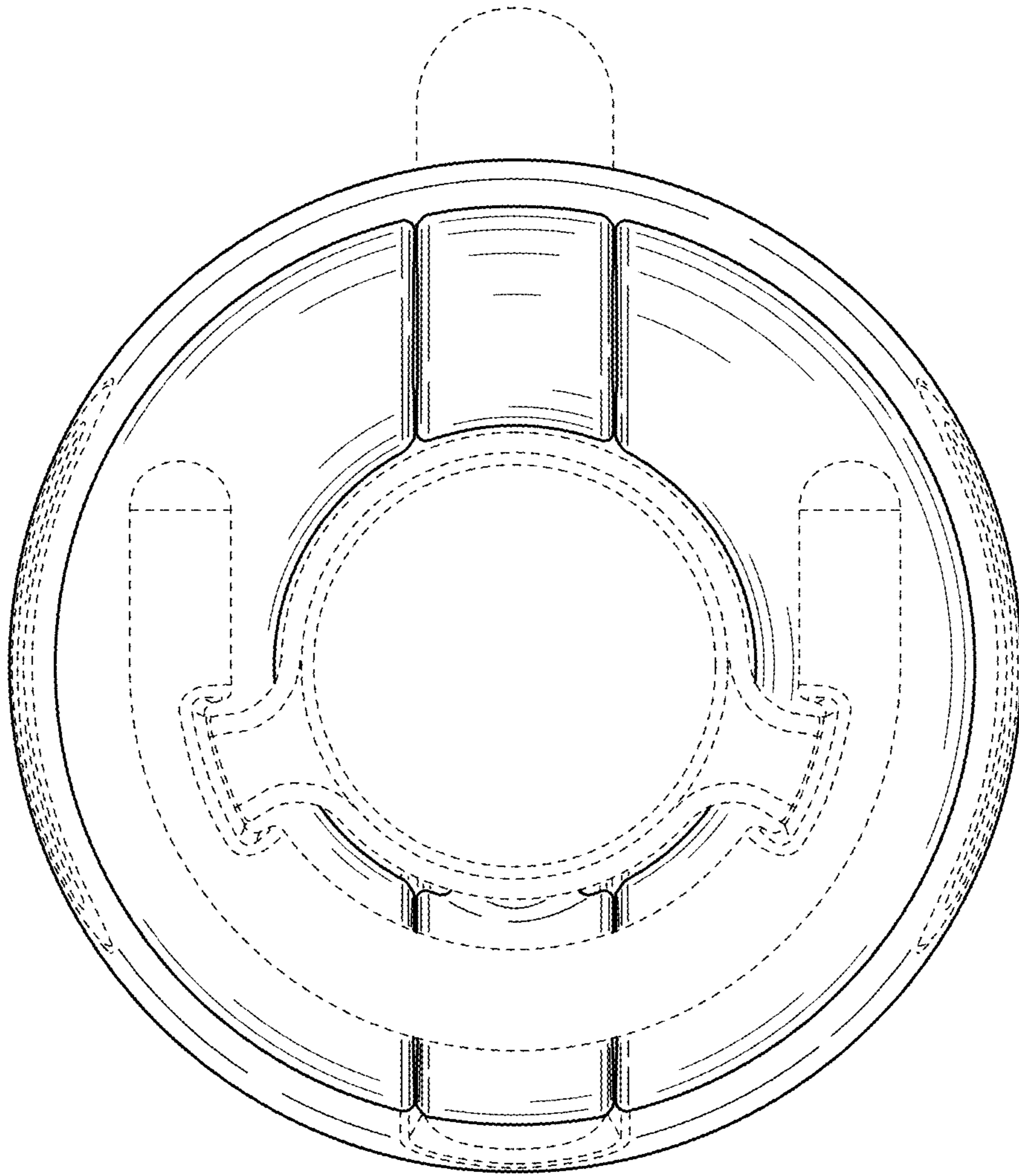


FIG. 13

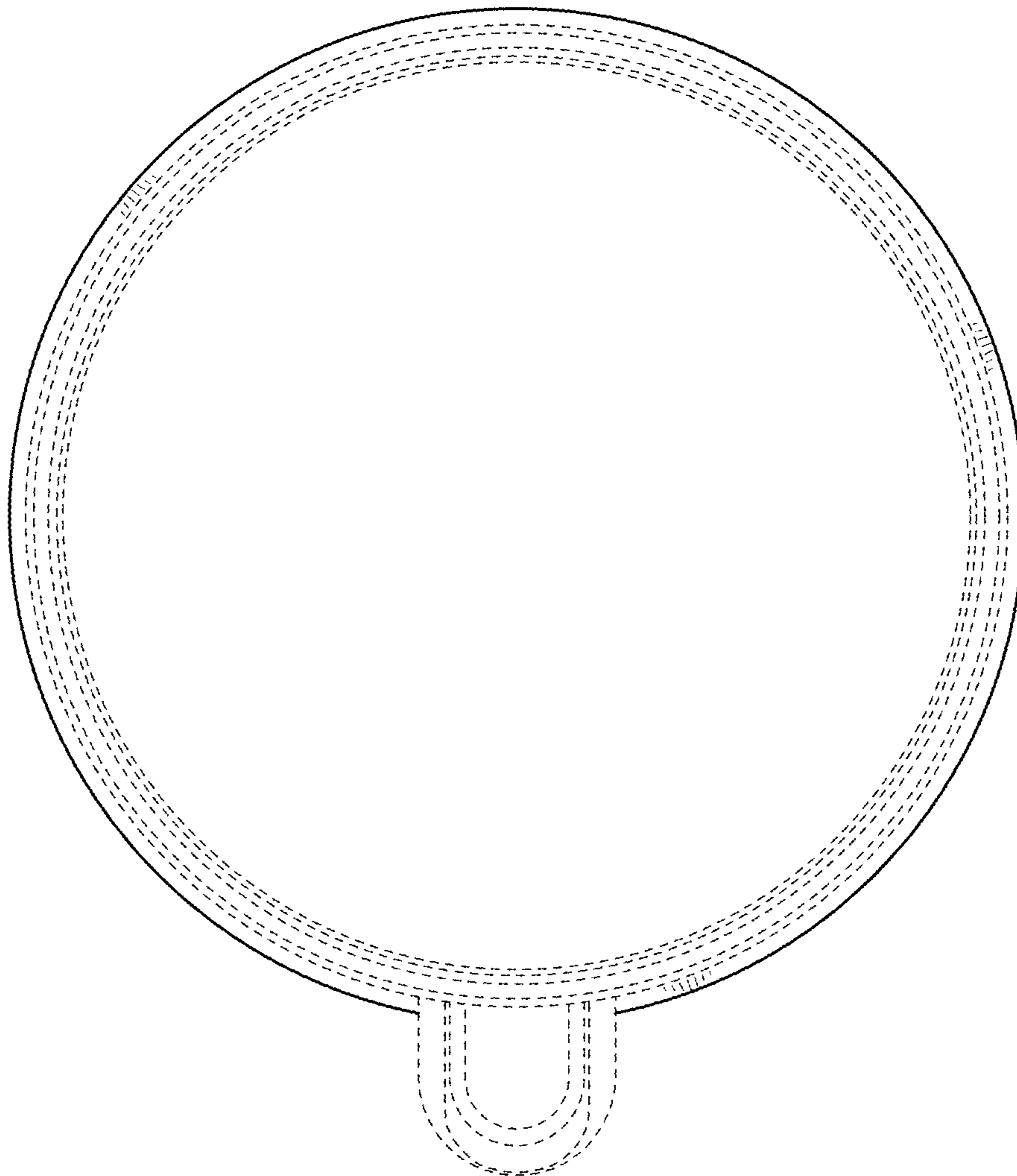


FIG. 14