



US00D907024S

(12) **United States Design Patent**  
**Ji et al.**

(10) **Patent No.: US D907,024 S**  
(45) **Date of Patent: \*\* Jan. 5, 2021**

(54) **BENDING SUPPORT FOR DISPLAY PANEL**

(71) Applicant: **SAMSUNG DISPLAY CO., LTD.**,  
Yongin-si (KR)

(72) Inventors: **Seon Beom Ji**, Seoul (KR); **Jong Hyun Choi**, Seoul (KR); **Seung Min Lee**,  
Hwaseong-si (KR); **Dong Hwan Shim**,  
Hwaseong-si (KR)

(73) Assignee: **Samsung Display Co., Ltd.**, Yongin-si  
(KR)

(\*\*) Term: **15 Years**

(21) Appl. No.: **29/740,170**

(22) Filed: **Jul. 1, 2020**

**Related U.S. Application Data**

(62) Division of application No. 29/688,610, filed on Apr. 23, 2019, now Pat. No. Des. 892,106.

(30) **Foreign Application Priority Data**

Oct. 24, 2018 (KR) ..... 30-2018-0049073  
Oct. 24, 2018 (KR) ..... 30-2018-0049074

(51) **LOC (13) Cl.** ..... **14-03**

(52) **U.S. Cl.**  
USPC ..... **D14/250**; D8/382

(58) **Field of Classification Search**

USPC ..... D14/371-382, 125-129, 336, 337,  
D14/447-452, 492, 335, 376-382, 239,  
D14/457, 439-441, 432, 251-253;  
D8/349, 354, 363, 367, 372, 373, 376,  
D8/380, 382; D21/333; D12/415;  
D3/10, 218; 348/180, 184, 325, 739,  
348/825; 248/323, 278.1, 286.1  
CPC ..... G06F 3/0412; G06F 3/016; G06F 3/0488;  
G06F 3/011; G06F 3/038; G06F 3/03543;  
G06F 3/0338; G06F 3/0202; G06F  
3/0219; G06F 3/0213; G06F 1/1616;  
G06F 3/023; G06F 3/04883; G02F  
1/13338; G02F 1/1313; G02F 1/1333;

G02F 1/135; G02F 1/132; G02F  
1/133308; G02F 1/134309; G02F  
1/13718; G09G 3/3648; G06K 15/1252;  
B41J 2/465; G03F 7/70291; G02B  
27/0172; G02B 5/30; G02B 2027/0118;  
G02B 27/0101; F16M 13/02; F16M  
13/00; F16M 11/10; F16M 11/04; F16M  
2200/08; F16M 11/2021; A47B 21/0314;  
A47B 88/044; A47B 2021/0335; H02G  
3/126;

(Continued)

(56) **References Cited**

U.S. PATENT DOCUMENTS

D322,389 S 12/1991 Harmon  
D442,076 S 5/2001 Swanson  
(Continued)

FOREIGN PATENT DOCUMENTS

KR 10-1212172 12/2012  
KR 10-2017-0049713 5/2017

*Primary Examiner* — Katie Jane Stofko

(74) *Attorney, Agent, or Firm* — Lewis Roca Rothgerber  
Christie LLP

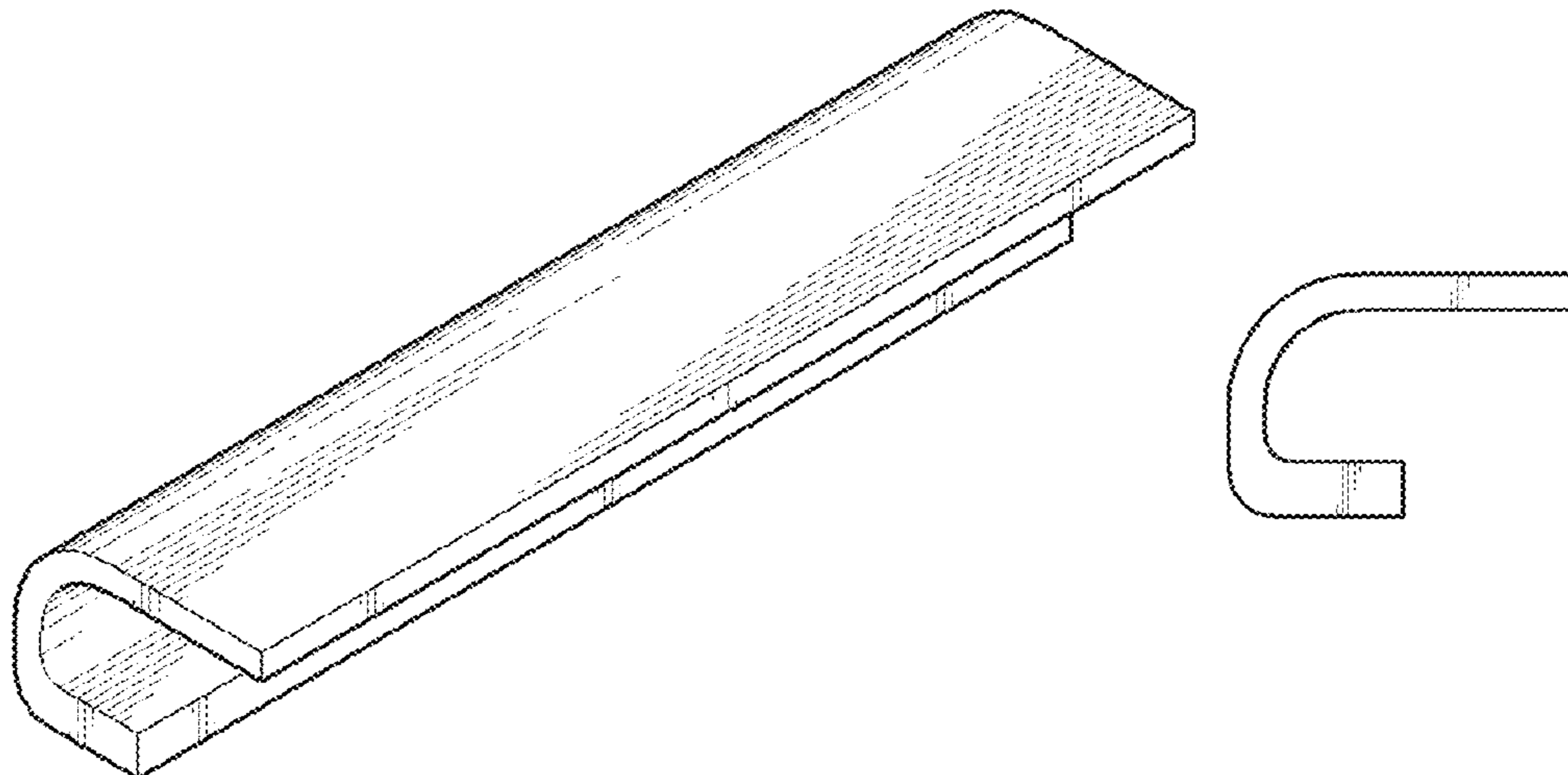
(57) **CLAIM**

The ornamental design for a bending support for display panel, as shown and described.

**DESCRIPTION**

FIG. 1 is a perspective view of a bending support for display panel;  
FIG. 2 is a front view thereof;  
FIG. 3 is a rear view thereof;  
FIG. 4 is a left side view thereof;  
FIG. 5 is a right side view thereof;  
FIG. 6 is a top view thereof; and,  
FIG. 7 is a bottom view thereof.

**1 Claim, 7 Drawing Sheets**



(58) **Field of Classification Search**

CPC ..... F16B 47/00; F16B 47/006; A47G 1/17;  
A47K 2201/00

See application file for complete search history.

(56) **References Cited**

U.S. PATENT DOCUMENTS

D516,562 S \* 3/2006 Solomon ..... D14/434  
D529,630 S 10/2006 Zarb  
D543,837 S \* 6/2007 Newbould ..... D8/367  
D557,652 S 12/2007 Gassew  
D626,828 S \* 11/2010 Austro ..... D8/382  
D663,726 S \* 7/2012 Gourley ..... D14/251  
D681,424 S \* 5/2013 Heindl ..... D8/382  
D681,425 S 5/2013 Heindl  
D688,202 S \* 8/2013 Mecca ..... D13/108  
D697,388 S \* 1/2014 Pan ..... D8/367  
D721,947 S 2/2015 Wendt  
D723,909 S 3/2015 McShane  
D724,423 S 3/2015 McShane  
D753,472 S \* 4/2016 Pan ..... D8/371  
9,425,418 B2 8/2016 Kwon et al.  
D769,459 S 10/2016 Mumford, Sr.  
D769,461 S 10/2016 Mumford, Sr.  
D805,044 S 12/2017 Sakai et al.  
D809,905 S 2/2018 Gunderson et al.  
D819,427 S \* 6/2018 Mercaldi ..... D8/354  
D836,427 S \* 12/2018 Heindl ..... D8/382  
D839,721 S 2/2019 Downey et al.  
D857,610 S \* 8/2019 Meldrum ..... D12/415  
10,575,662 B2 \* 3/2020 Lomax ..... A47G 1/02  
D885,481 S \* 5/2020 Tung ..... D19/75

\* cited by examiner

FIG. 1

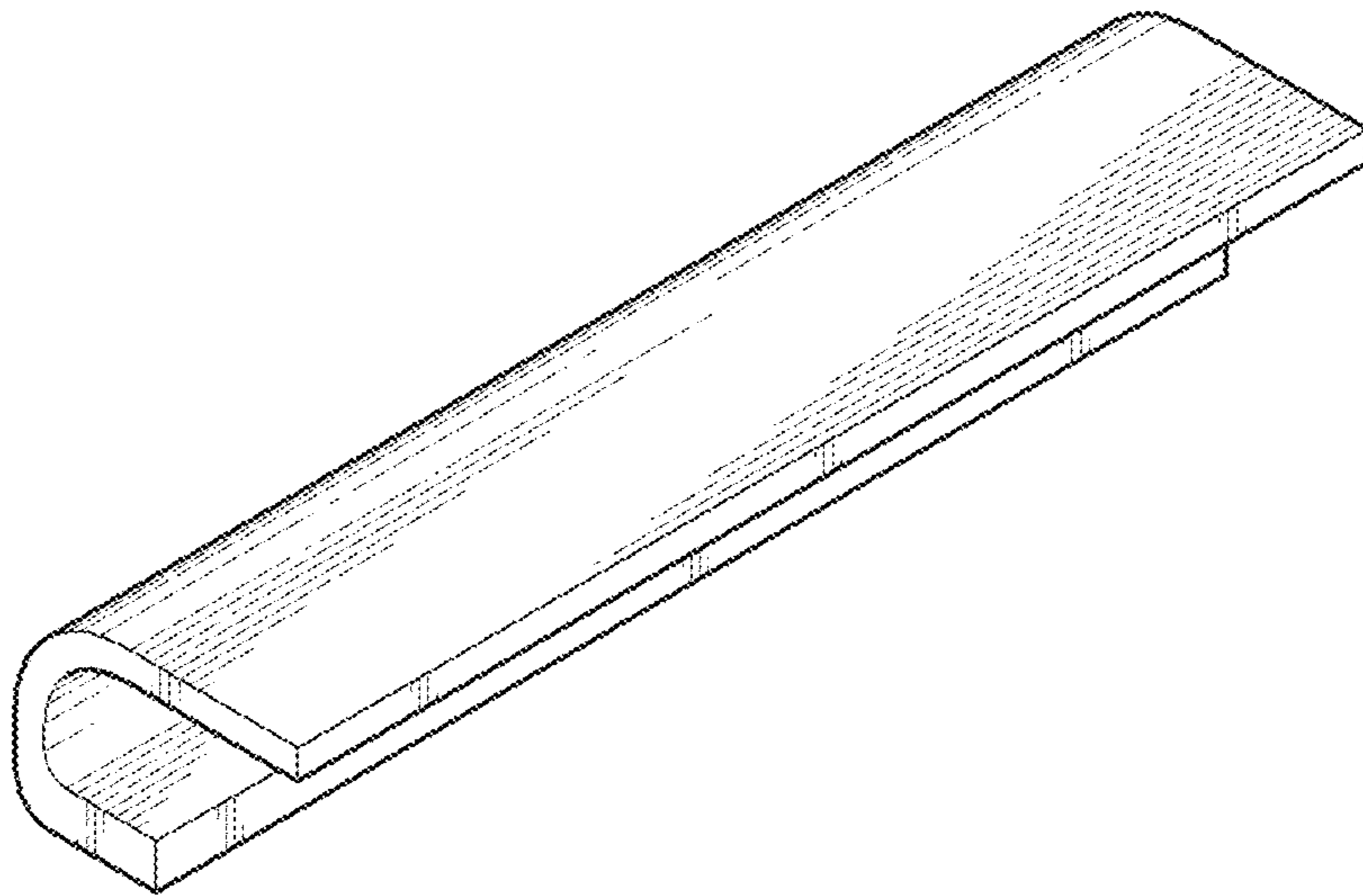


FIG. 2

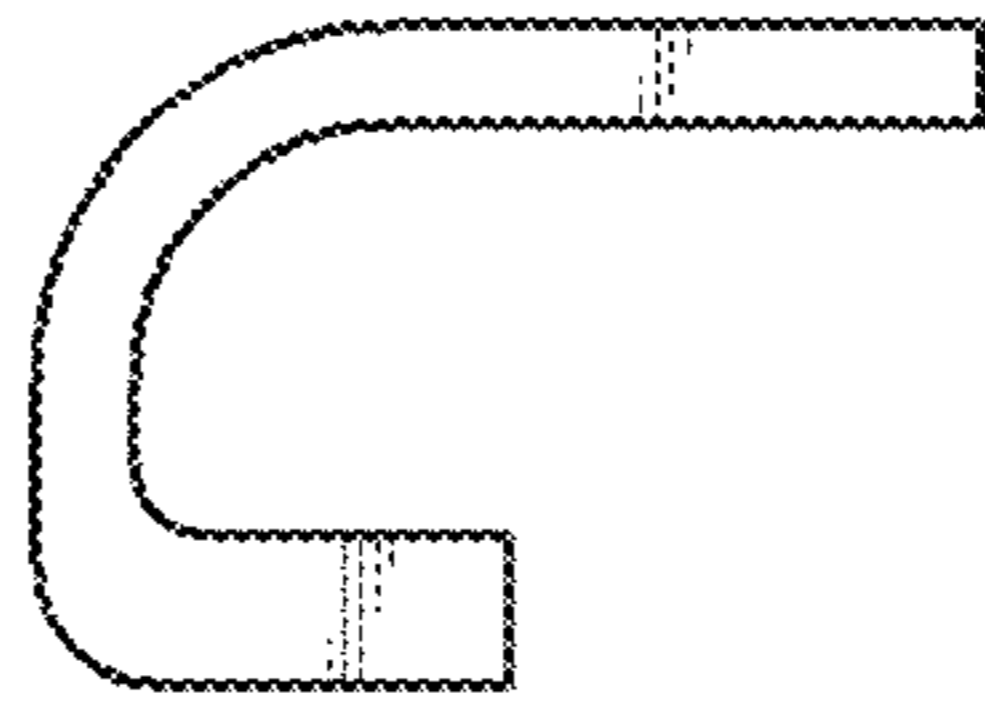


FIG. 3

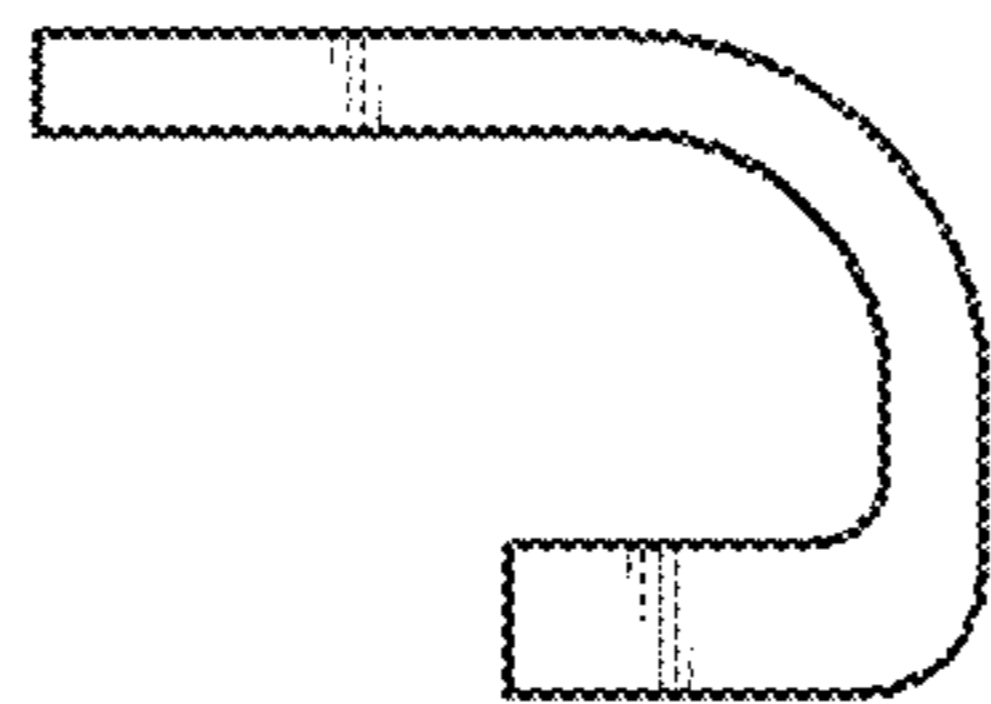


FIG. 4

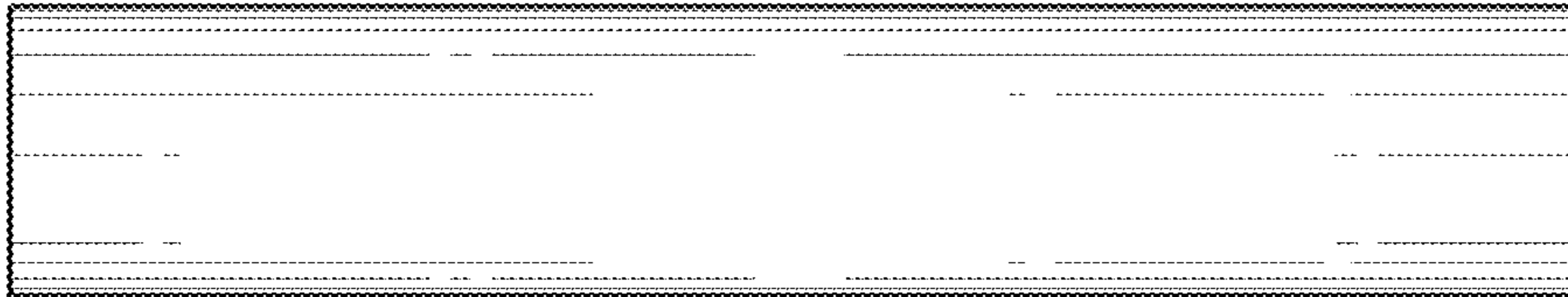


FIG. 5

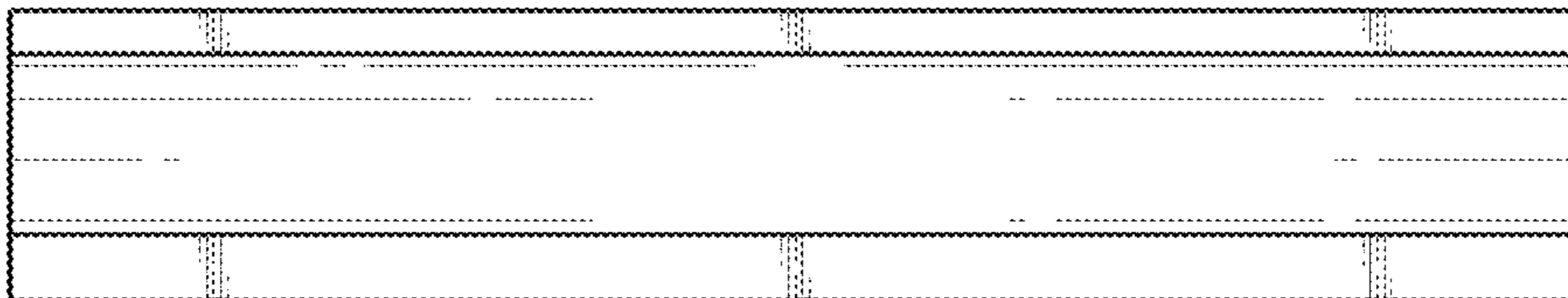


FIG. 6

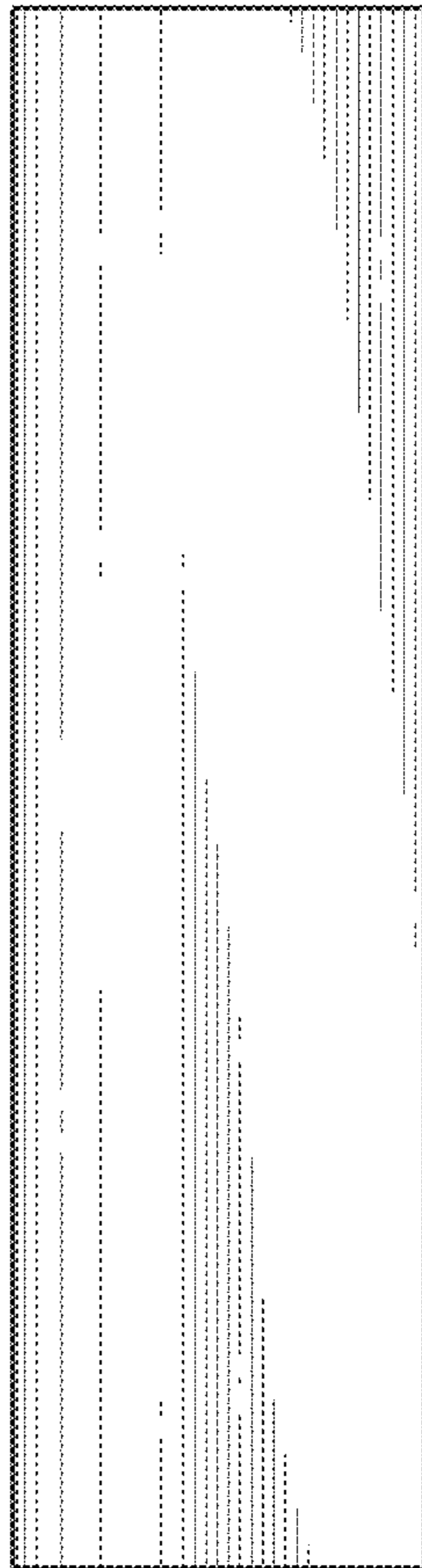




FIG. 7

