



US00D907023S

(12) **United States Design Patent** (10) **Patent No.:** **US D907,023 S**  
**Lee** (45) **Date of Patent:** **\*\* Jan. 5, 2021**

- (54) **CASE FOR ELECTRONIC COMMUNICATIONS DEVICE**
- (71) Applicant: **SPIGEN KOREA CO., LTD.**, Seoul (KR)
- (72) Inventor: **Jong Hwa Lee**, Seoul (KR)
- (73) Assignee: **SPIGEN KOREA CO., LTD.**, Seoul (KR)
- (\*\*) Term: **15 Years**
- (21) Appl. No.: **29/727,728**
- (22) Filed: **Mar. 12, 2020**
- (51) **LOC (13) Cl.** ..... **14-03**
- (52) **U.S. Cl.**  
USPC ..... **D14/250**
- (58) **Field of Classification Search**  
USPC ..... D14/203.3–203.7, 439, 251–253, 447, D14/217, 240, 238.1, 440, 250, 454, 218, D14/247, 248; D13/107–108, 103, 119; D3/201, 218, 247, 249, 269, 273, 301, D3/303; D21/333  
CPC ..... H04B 1/3888; H04M 1/0283; H04M 1/0202; A45C 1/06; A45C 11/00; A45C 13/02; A45C 2011/002; A45F 2005/026; A45F 2200/0525; A45F 2200/0516  
See application file for complete search history.

- (56) **References Cited**  
U.S. PATENT DOCUMENTS  
D531,586 S \* 11/2006 Poulet ..... D13/168  
D597,089 S \* 7/2009 Khan ..... D14/250  
D598,876 S \* 8/2009 Leng ..... D14/137  
D601,135 S \* 9/2009 Stone ..... D14/247  
D617,784 S \* 6/2010 Richardson ..... D14/250  
D636,767 S \* 4/2011 Page ..... D14/247  
D638,006 S 5/2011 Chang

- D679,698 S \* 4/2013 Murchison ..... D14/250
- D683,723 S \* 6/2013 Murchison ..... D14/250
- D686,199 S \* 7/2013 Fahrendorff ..... D14/250
- D696,240 S \* 12/2013 Kim ..... D14/250
- D710,347 S \* 8/2014 Esses ..... D14/250
- D746,801 S 1/2016 Pan
- D749,068 S \* 2/2016 Zaborski ..... D14/250
- D750,610 S \* 3/2016 Chen ..... D14/250
- D756,343 S \* 5/2016 Wall ..... D14/250
- D772,211 S 11/2016 Poon et al.
- D772,856 S 11/2016 Taylor et al.
- D772,857 S 11/2016 Poon

(Continued)

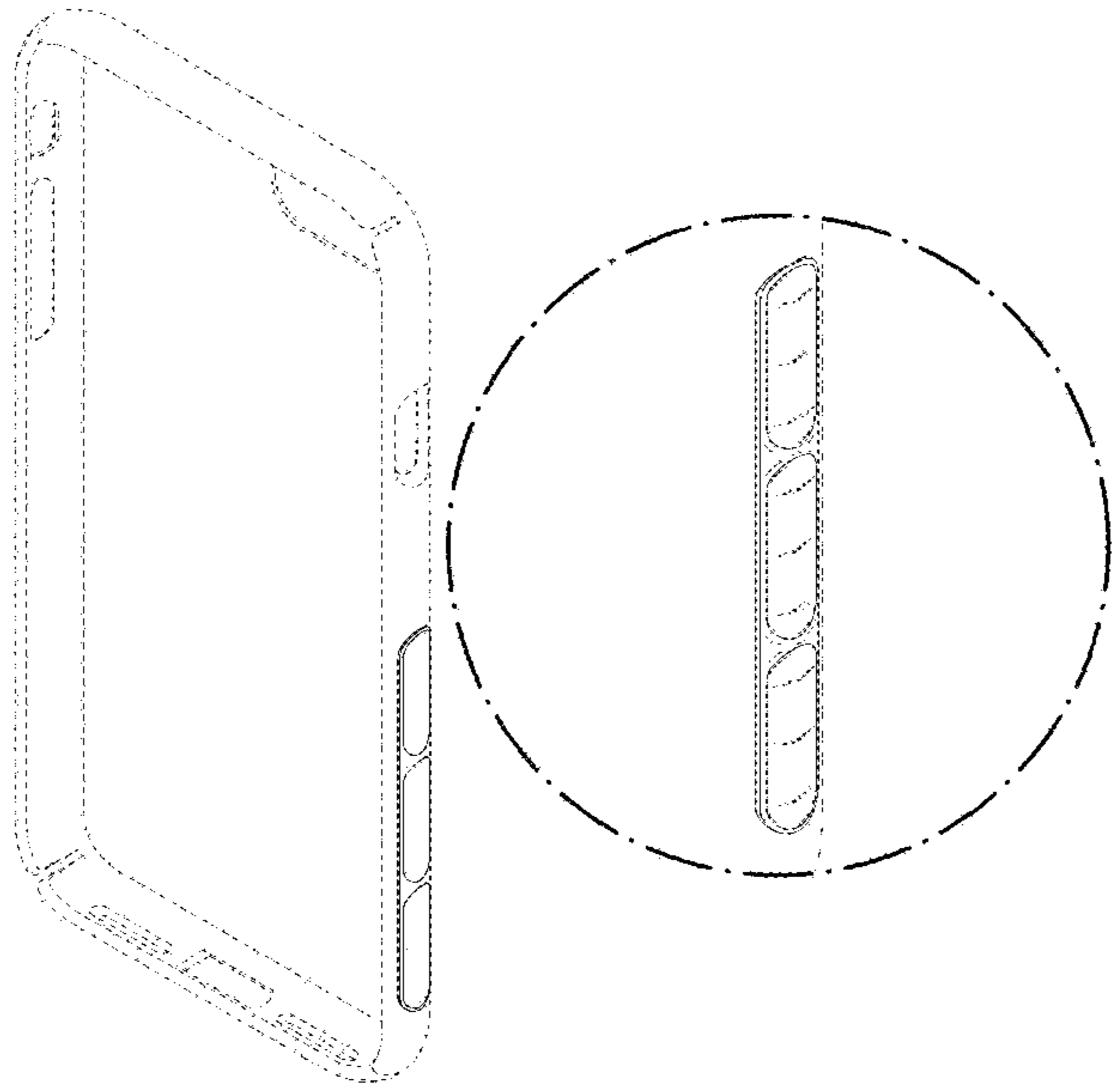
*Primary Examiner* — Carla J Wright  
(74) *Attorney, Agent, or Firm* — Heedong Chae; Lucem, PC

(57) **CLAIM**  
The ornamental design for a case for electronic communications device, as shown and described.

**DESCRIPTION**  
FIG. 1 is a front perspective view of a case for electronic communications device showing my new design; FIG. 2 is a rear perspective view thereof; FIG. 3 is a front elevational view thereof; FIG. 4 is a rear elevational view thereof; FIG. 5 is a left side elevational view thereof; FIG. 6 is a right side elevational view thereof; FIG. 7 is a top plan view thereof; FIG. 8 is a bottom plan view thereof; and, FIG. 9 is an enlarged view of the encircled region from FIG. 2.

The dot-dash broken line circle in FIG. 2 delineates a portion of the case for electronic communications device that is part of the claimed design and that is shown on an enlarged scale in FIG. 9. The dashed broken lines throughout the drawing figures depict portions of the case that form no part of the claimed design.

**1 Claim, 9 Drawing Sheets**



(56)

**References Cited**

## U.S. PATENT DOCUMENTS

D774,498 S \* 12/2016 Tao ..... D14/250  
D784,311 S 4/2017 Yoon  
D794,627 S \* 8/2017 Roberts ..... D14/250  
D806,082 S \* 12/2017 Armstrong ..... D14/440  
D812,600 S 3/2018 Altaras  
D812,618 S 3/2018 Altaras  
D812,619 S 3/2018 Altaras  
D813,217 S 3/2018 Kim  
D816,651 S 5/2018 Chiang et al.  
D816,653 S 5/2018 Yu  
D831,630 S 10/2018 Altschul et al.  
D831,636 S 10/2018 Zhu  
D834,571 S 11/2018 Ravid  
D835,087 S 12/2018 Wilder et al.  
D838,262 S 1/2019 Witter et al.  
D840,991 S 2/2019 Kim  
D840,992 S 2/2019 Kim  
D845,289 S \* 4/2019 Chuang ..... D14/250  
D845,290 S 4/2019 Brubaker et al.  
D847,806 S 5/2019 Kim  
D847,807 S \* 5/2019 Wright ..... D14/250  
D850,433 S \* 6/2019 Luo ..... D14/250  
D858,505 S \* 9/2019 Zhang ..... D14/250  
D864,181 S \* 10/2019 Luo ..... D14/250  
D868,776 S \* 12/2019 Akana ..... D14/341  
D869,453 S \* 12/2019 Wilder ..... D14/250  
2019/0298023 A1 \* 10/2019 Okada ..... H04B 1/3888

\* cited by examiner

FIG. 1

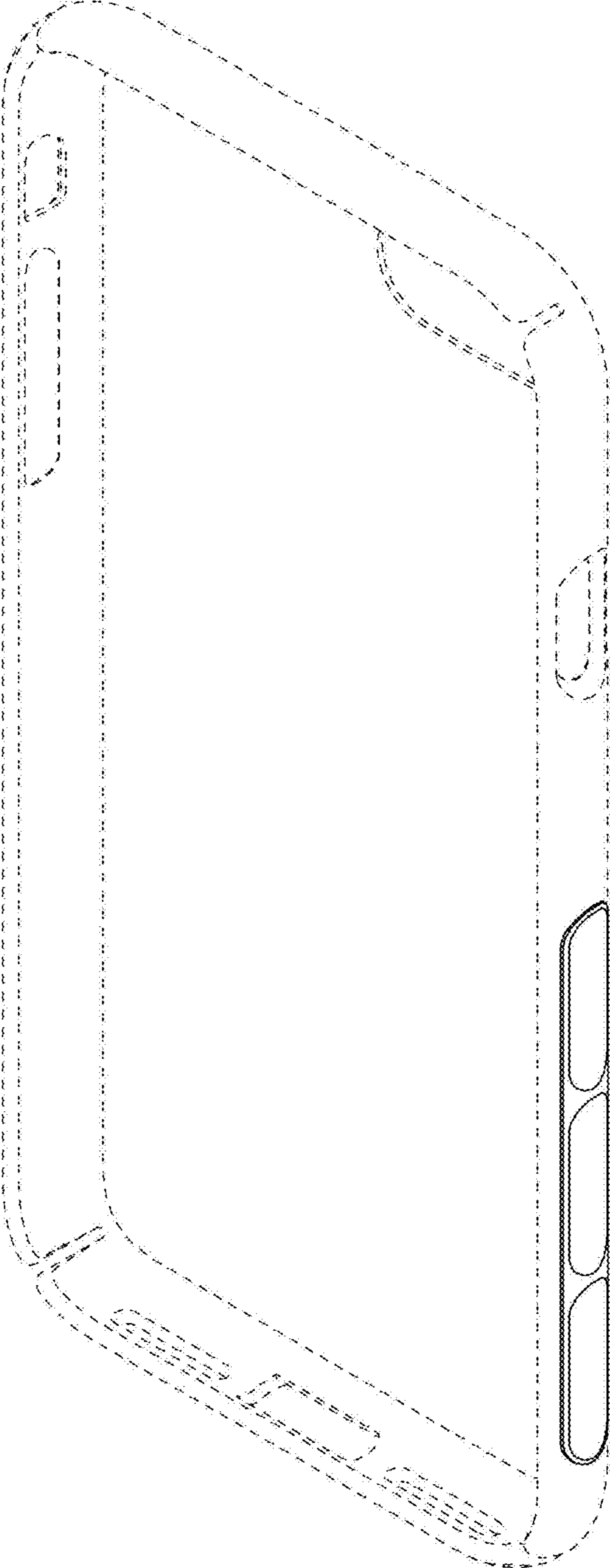


FIG. 2

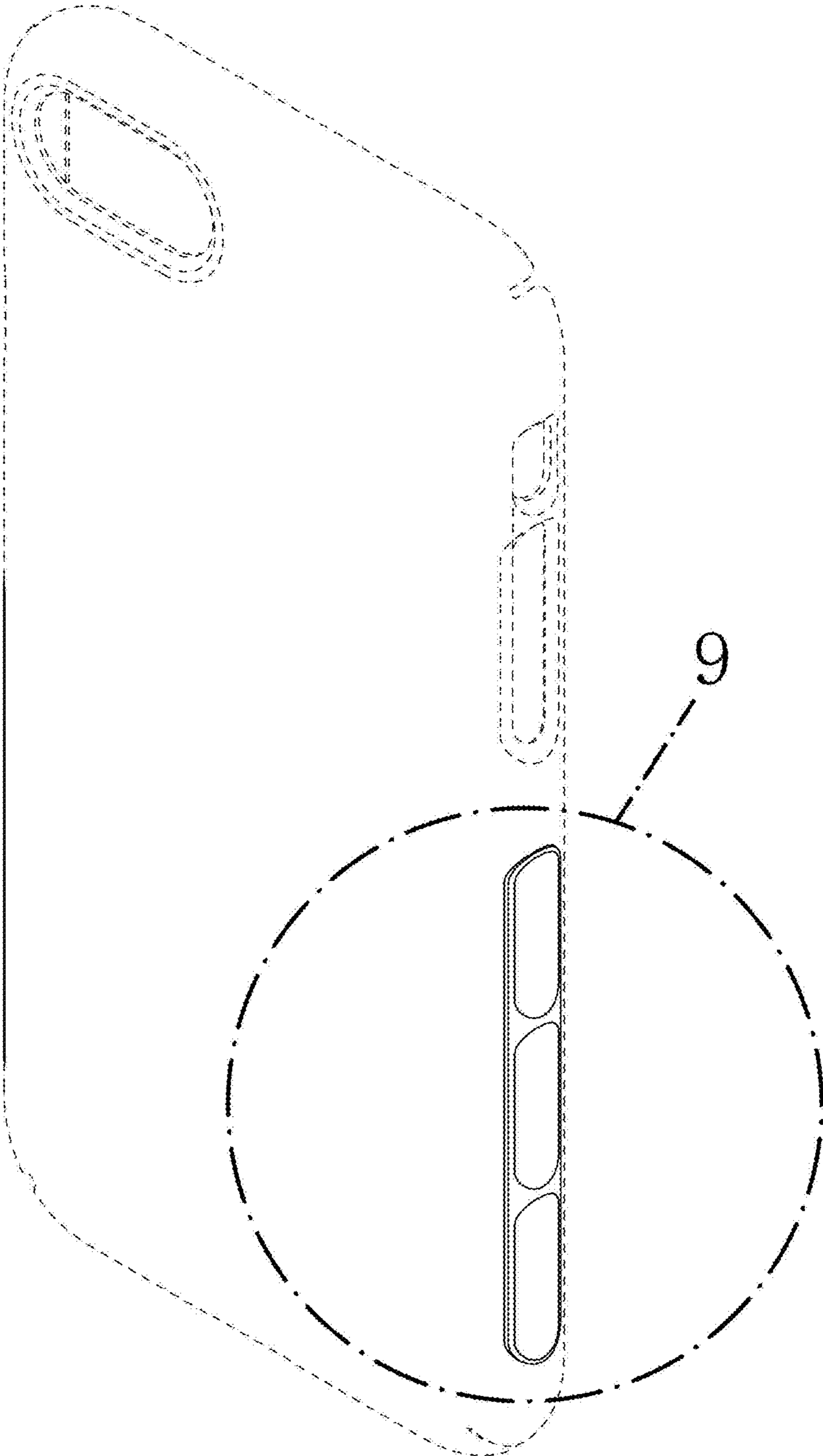


FIG. 3

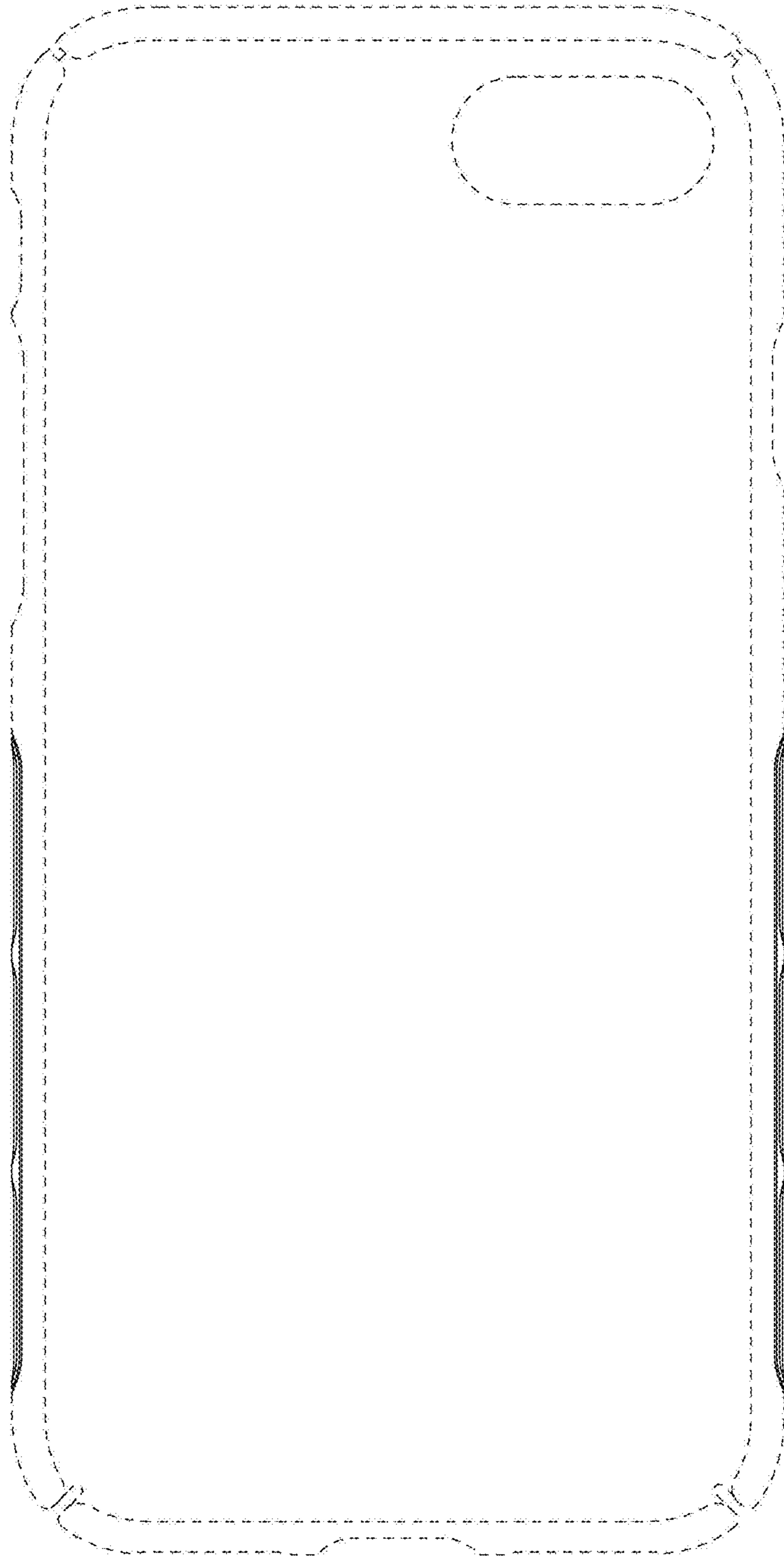


FIG. 4

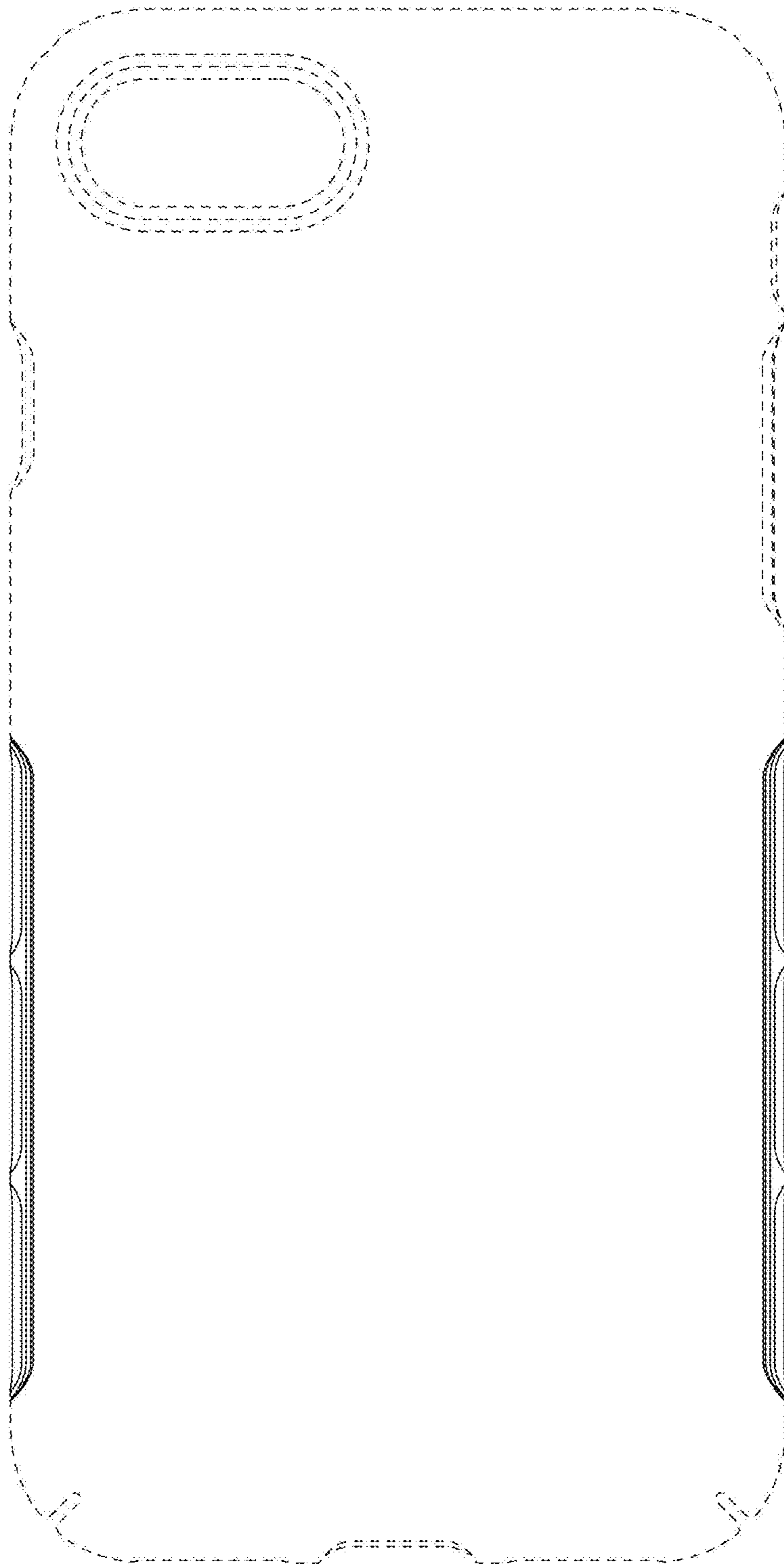




FIG. 5

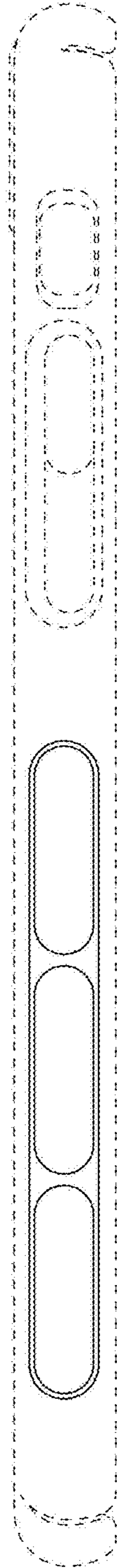


FIG. 6

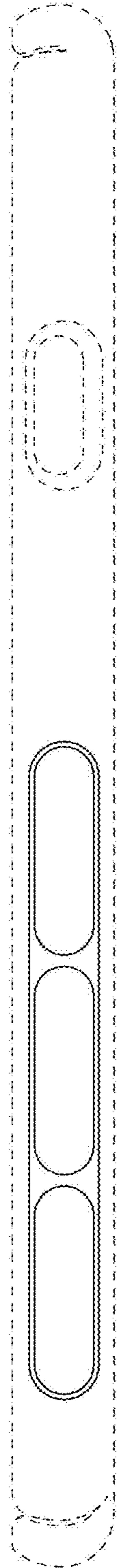




FIG. 7

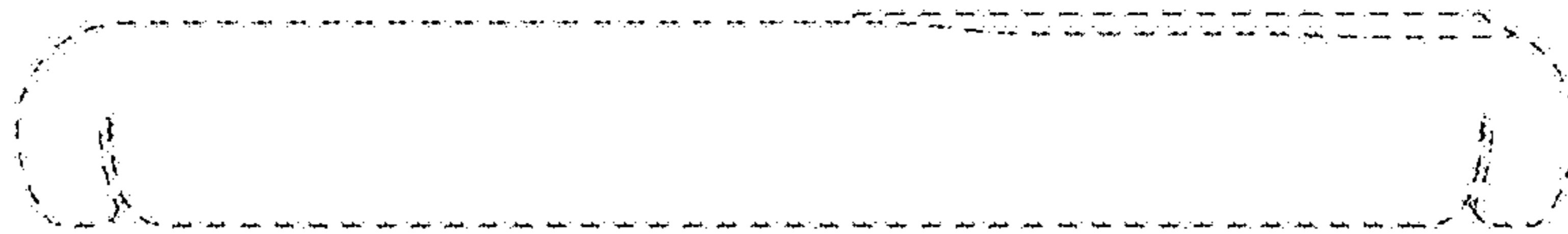


FIG. 8

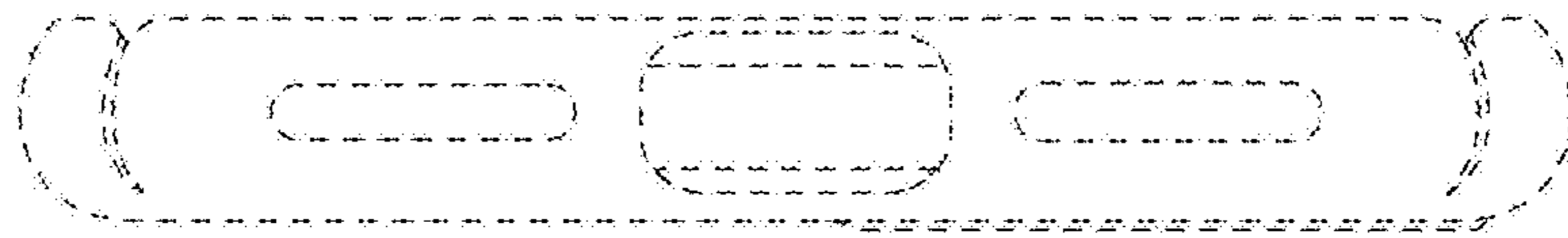


FIG. 9

