



US00D907022S

(12) **United States Design Patent**
Xiong

(10) **Patent No.:** **US D907,022 S**

(45) **Date of Patent:** **** Jan. 5, 2021**

(54) **CASE FOR MOBILE ELECTRONIC DEVICE**

(71) Applicant: **Bin Xiong**, Guangzhou (CN)

(72) Inventor: **Bin Xiong**, Guangzhou (CN)

(**) Term: **15 Years**

(21) Appl. No.: **29/711,759**

(22) Filed: **Nov. 1, 2019**

(51) **LOC (13) Cl.** **14-03**

(52) **U.S. Cl.**
USPC **D14/250**

(58) **Field of Classification Search**
USPC D14/217, 238.1, 240, 248, 250, 251–253,
D14/439, 440, 447; D13/107–108, 103,
D13/119; D3/201, 218, 247, 269, 273,
D3/301, 303
CPC H04B 1/3888; H04M 1/0283; H04M
1/0202; A45C 1/06; A45C 11/00; A45C
13/02; A45C 2011/002; A45F 2005/026;
A45F 2200/0525; A45F 2200/0516
See application file for complete search history.

(56) **References Cited**

U.S. PATENT DOCUMENTS

D721,071 S *	1/2015	Nelson	D14/250
D757,702 S *	5/2016	Kanazawa	D14/250
D759,641 S *	6/2016	Lai	D14/250
D765,632 S *	9/2016	Northrup	D14/250
D765,644 S *	9/2016	Witter	D14/250
D766,819 S *	9/2016	Gjovik	D13/103
D845,940 S *	4/2019	Roberts	D14/250
D852,186 S *	6/2019	Yu	D14/250
D856,996 S *	8/2019	Kim	D14/250
D860,182 S *	9/2019	Hyun	D14/250
D860,183 S *	9/2019	Hyun	D14/250
D860,983 S *	9/2019	Kim	D14/250
D861,653 S *	10/2019	Gjovik	D14/250
D874,451 S *	2/2020	Yu	D14/250

D877,132 S *	3/2020	Yang	D14/250
D878,345 S *	3/2020	Kim	D14/250
D898,015 S *	10/2020	Kwak	D14/250
D898,720 S *	10/2020	Lee	D14/250
D899,415 S *	10/2020	Kwak	D14/250
2020/0015558 A1*	1/2020	Kane	A45C 11/00

OTHER PUBLICATIONS

“OUNNE iPhone Xs/iPhone X Waterproof Case, [. . .]” [online]. OUNNE. [Date first available on Nov. 28, 2017]. Retrieved from the Internet: <<https://www.amazon.com/dp/B077SDRFGCD>>.*
“Eonfine for iPhone X Case,for iPhone Xs Case, [. . .]” [online]. Eonfine. [Date first available on Jun. 16, 2019]. Retrieved from the Internet: <<https://www.amazon.com/dp/B07SWTGYTY>>.*

* cited by examiner

Primary Examiner — Mojtaba Tehrani
(74) *Attorney, Agent, or Firm* — Novoclaims Patent Services LLC; Mei Lin Wong

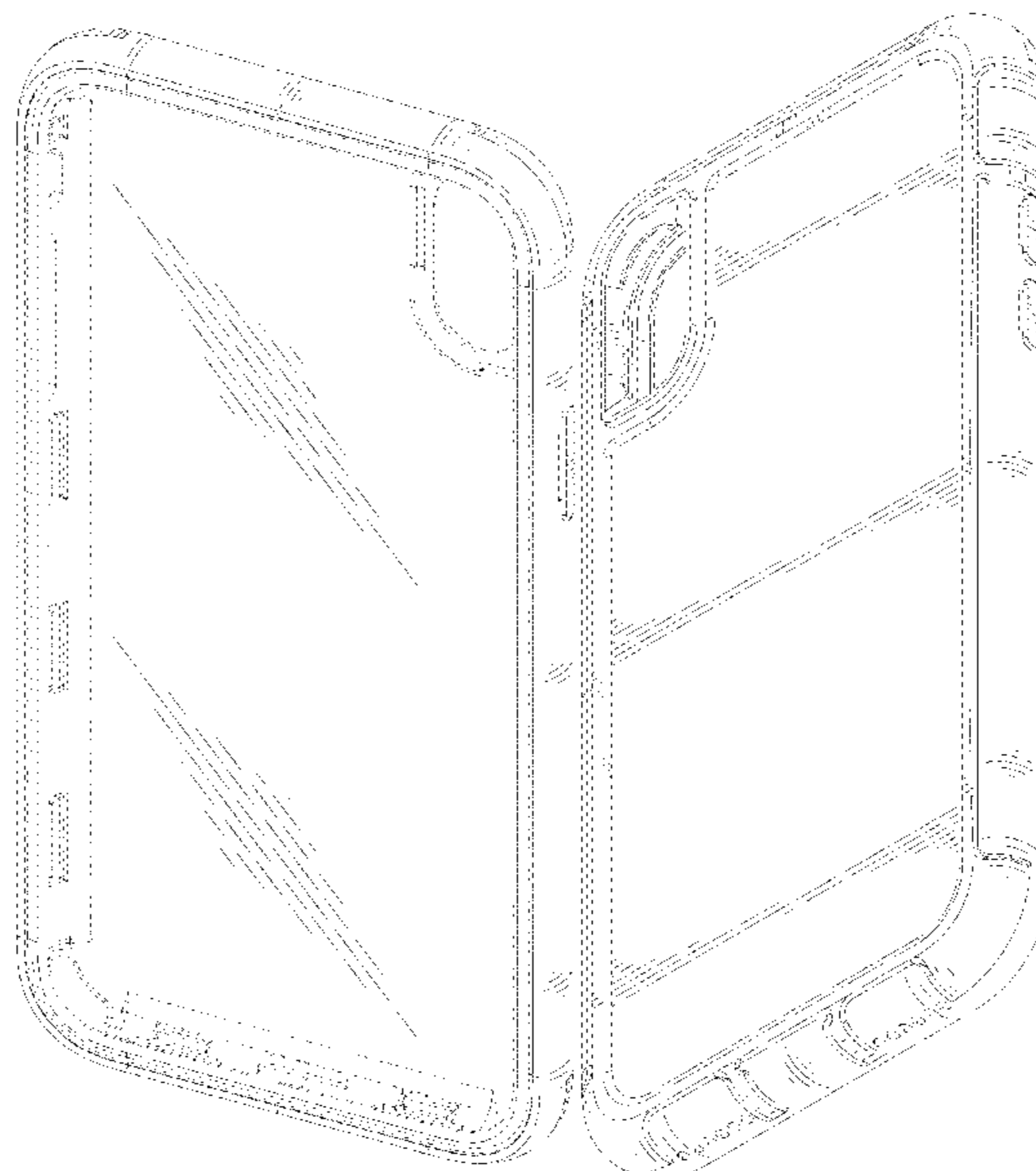
(57) **CLAIM**

The ornamental design for a case for mobile electronic device, as shown and described.

DESCRIPTION

FIG. 1 is a front perspective view of a case for mobile electronic device, showing my new design;
FIG. 2 is a rear perspective view thereof;
FIG. 3 is a front view thereof;
FIG. 4 is a rear view thereof;
FIG. 5 is a left side view thereof;
FIG. 6 is a right side view thereof;
FIG. 7 is a top view thereof; and,
FIG. 8 is a bottom view thereof.
The broken lines in the drawings depict portions of the case for mobile electronic device that form no part of the claimed design.

1 Claim, 8 Drawing Sheets



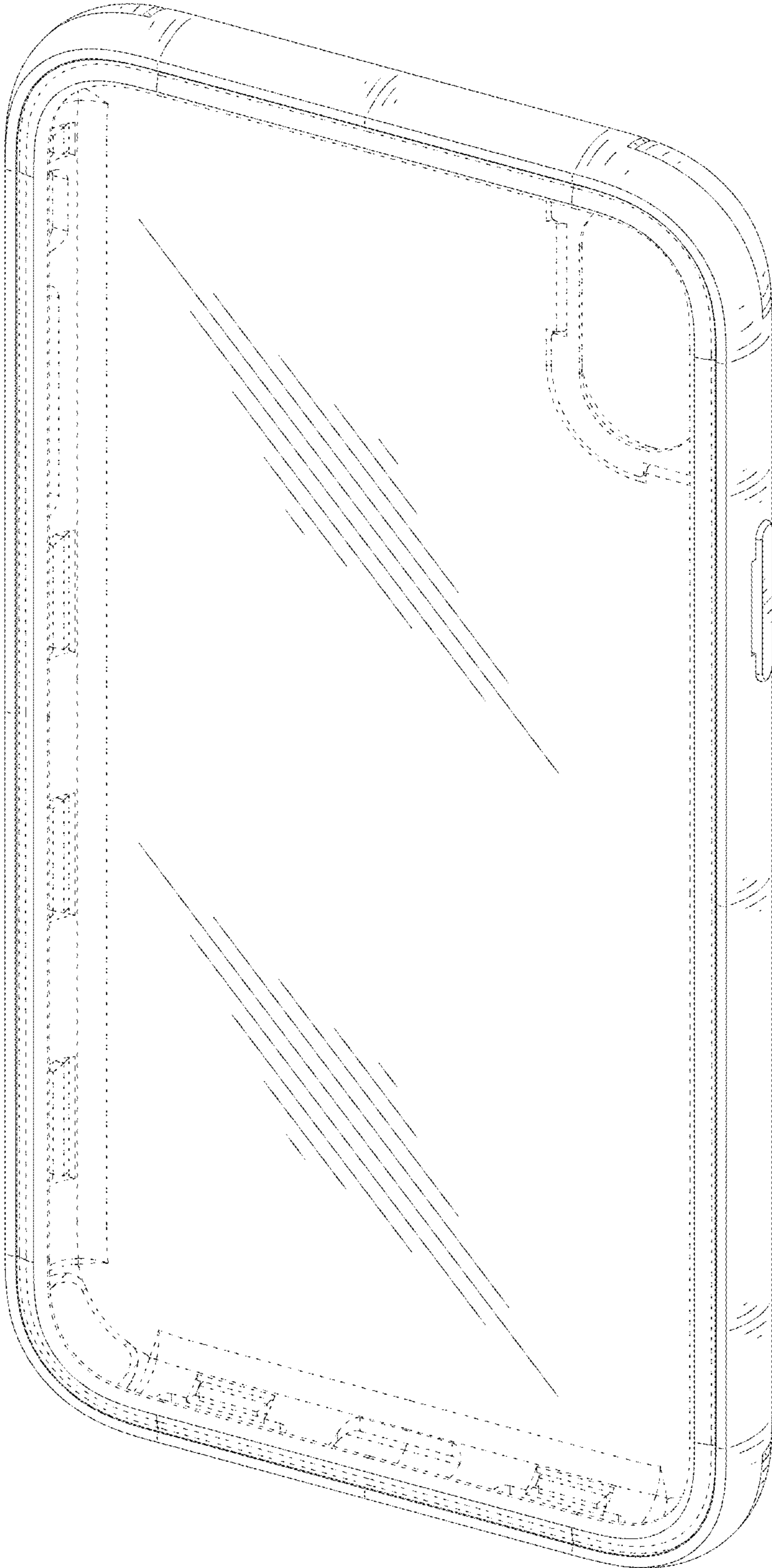


FIG. 1

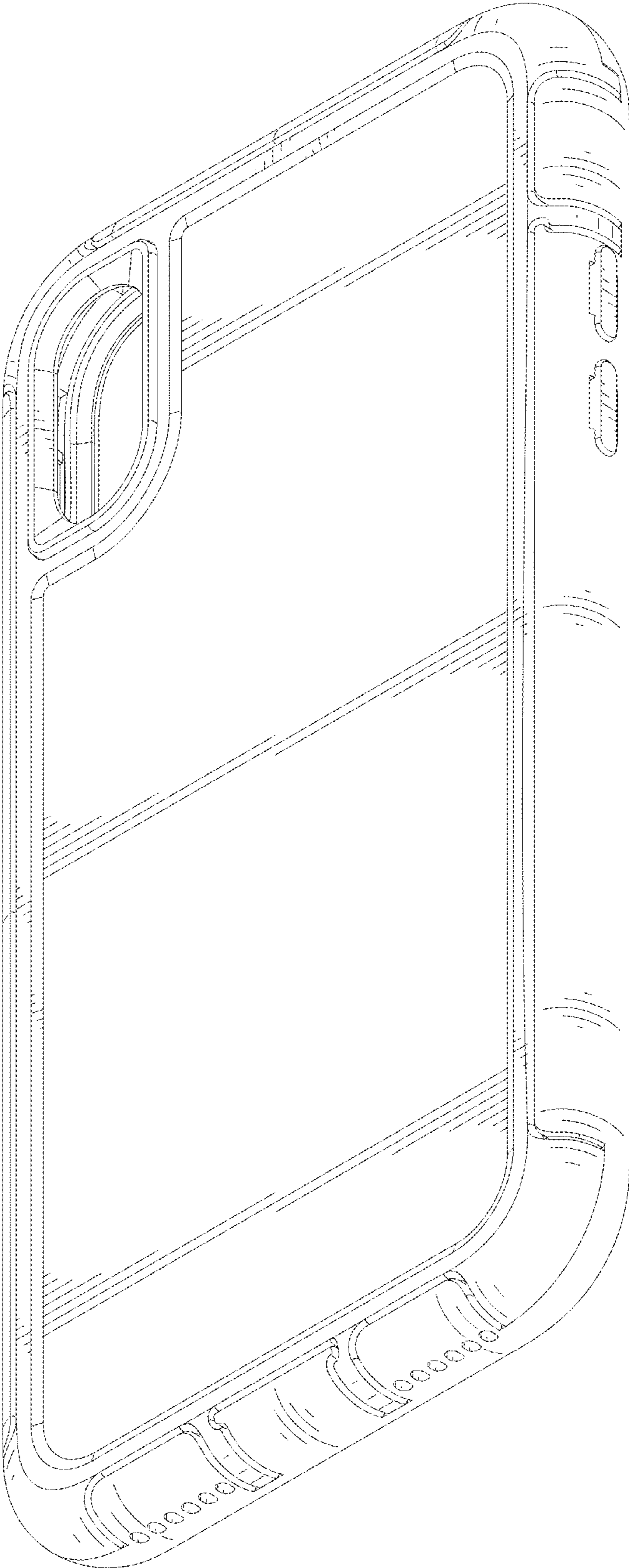


FIG.2

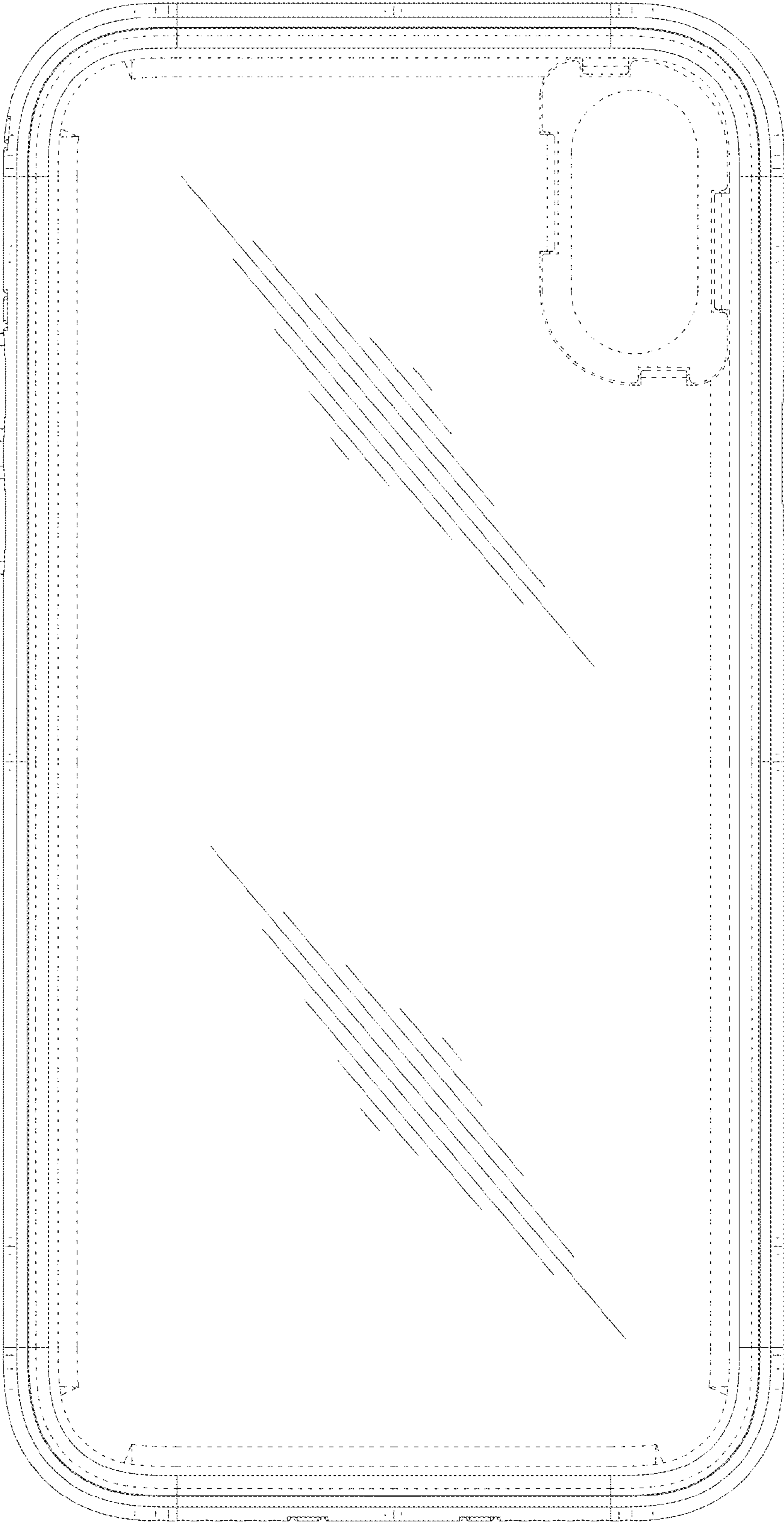


FIG.3

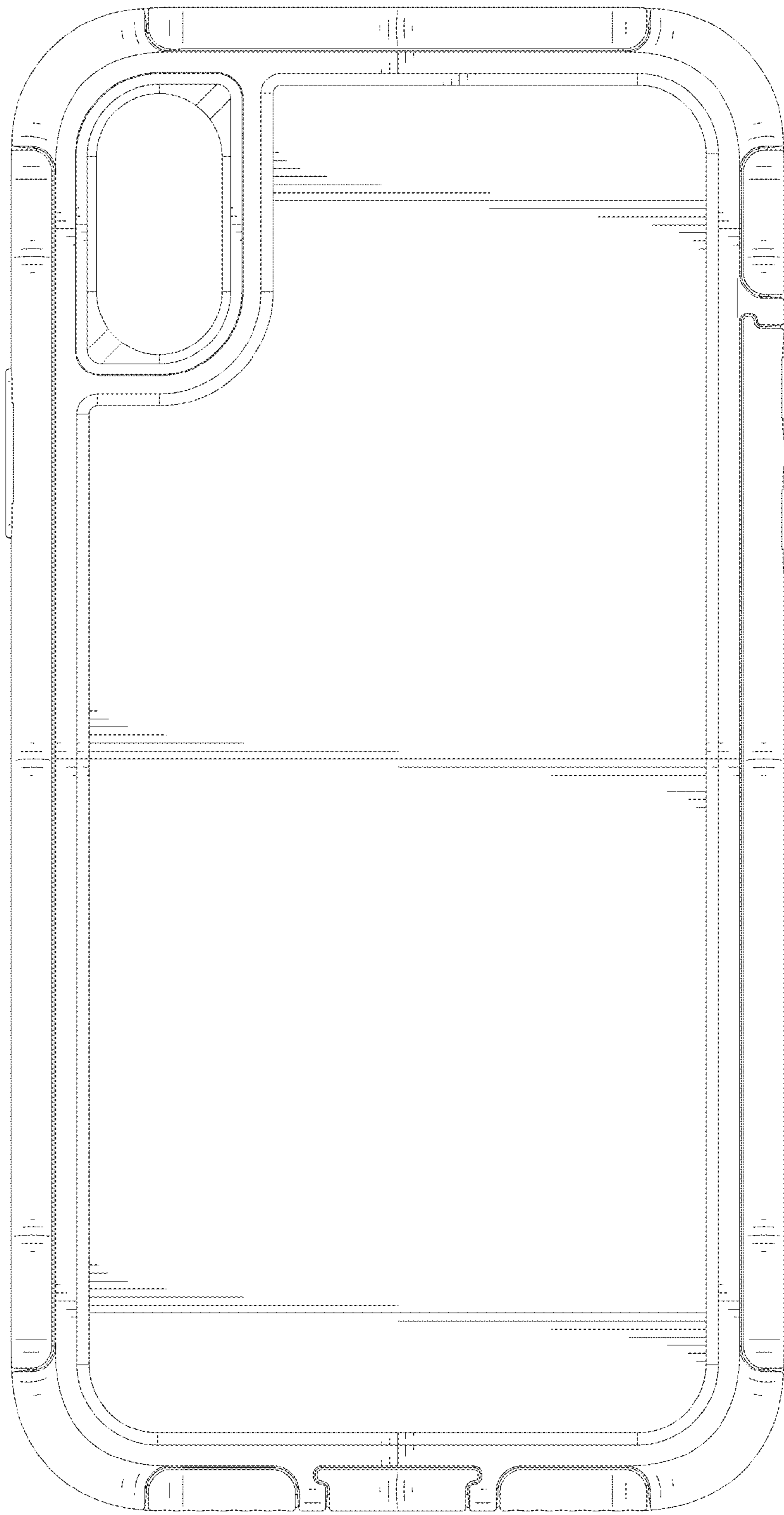


FIG.4

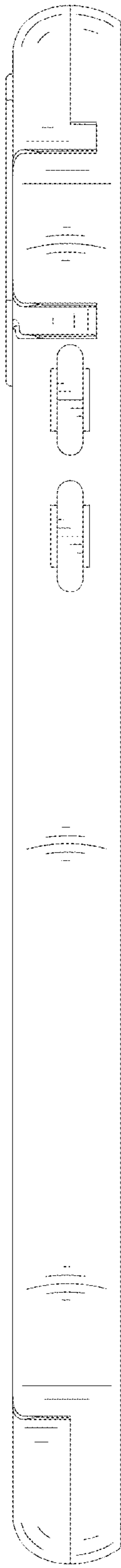


FIG.5

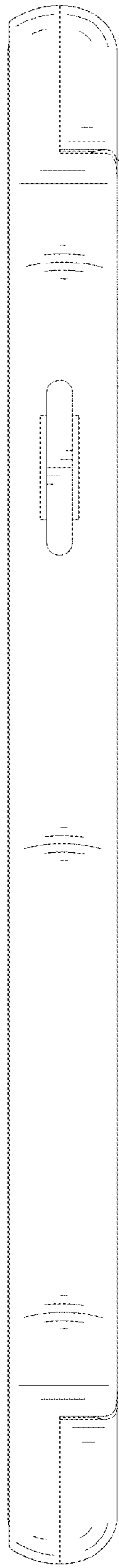


FIG.6

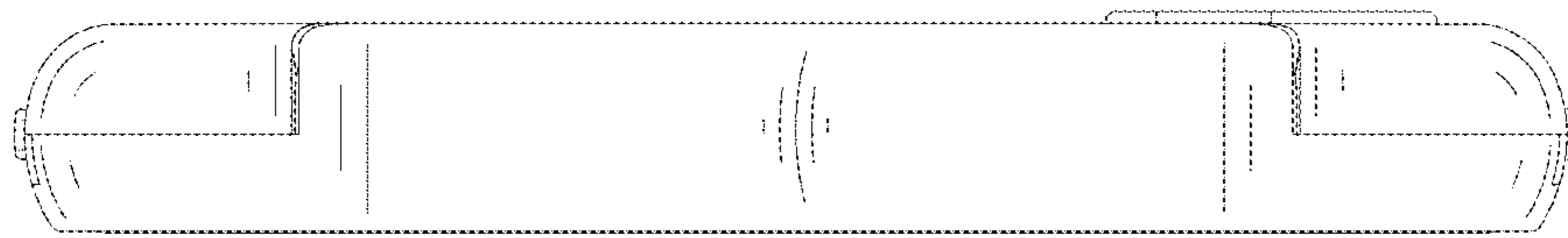


FIG.7

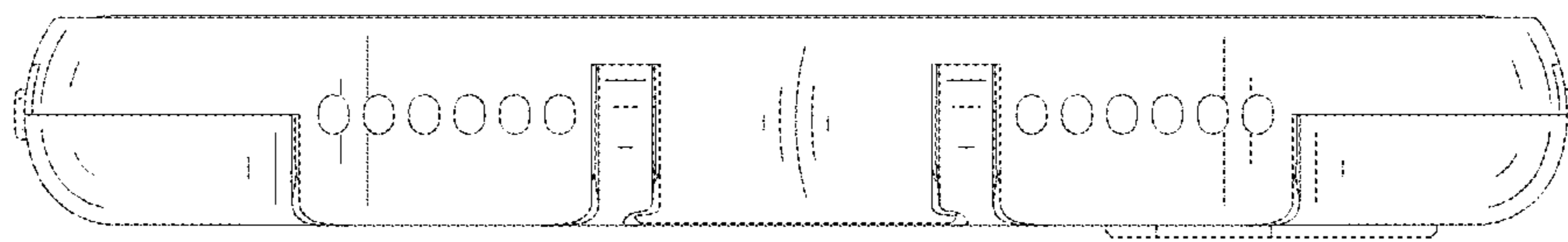


FIG.8