



US00D907021S

(12) **United States Design Patent**  
**Han et al.**

(10) **Patent No.:** **US D907,021 S**  
(45) **Date of Patent:** **\*\* Jan. 5, 2021**

(54) **CASE FOR ELECTRONIC DEVICE**

(71) Applicant: **Samsung Electronics Co., Ltd.**,  
Suwon-si (KR)

(72) Inventors: **Woo Seung Han**, Suwon-si (KR); **Sang Sik Park**, Suwon-si (KR)

(73) Assignee: **Samsung Electronics Co., Ltd.**,  
Suwon-si (KR)

(\*\*) Term: **15 Years**

(21) Appl. No.: **29/691,628**

(22) Filed: **May 17, 2019**

(30) **Foreign Application Priority Data**

Mar. 20, 2019 (KR) ..... 30-2019-0012673

(51) **LOC (13) Cl.** ..... **14-03**

(52) **U.S. Cl.**  
USPC ..... **D14/250**

(58) **Field of Classification Search**

USPC .... D14/217, 238.1, 240, 248, 250, 251–253,  
D14/439, 440, 447; D13/107–108, 103,  
D13/119; D3/201, 269, 273, 301, 218,  
D3/247, 303

CPC ..... H04B 1/3888; H04M 1/0283; H04M  
1/0202; A45C 1/06; A45C 11/00; A45C  
13/02; A45C 2011/002; A45F 2005/026;  
A45F 2200/0525; A45F 2200/0516

See application file for complete search history.

(56) **References Cited**

U.S. PATENT DOCUMENTS

D609,464 S \* 2/2010 Bullen ..... D3/218  
D679,683 S \* 4/2013 Fahrendorff ..... D14/250  
D679,687 S \* 4/2013 Murchison ..... D14/250  
D679,688 S \* 4/2013 Kim ..... D14/250  
D679,689 S \* 4/2013 Fahrendorff ..... D14/250

D679,691 S \* 4/2013 Fahrendorff ..... D14/250  
D679,696 S \* 4/2013 Murchison ..... D14/250  
D679,697 S \* 4/2013 Murchison ..... D14/250  
D679,698 S \* 4/2013 Murchison ..... D14/250  
D732,012 S \* 6/2015 Tsai ..... D14/250  
D770,435 S \* 11/2016 Daniel ..... D14/250  
D774,498 S \* 12/2016 Tao ..... D14/250  
D795,237 S \* 8/2017 Jung ..... D14/250

(Continued)

FOREIGN PATENT DOCUMENTS

CN 201730290264X 11/2017  
CN 2017302584238 8/2018

(Continued)

*Primary Examiner* — Khawaja Anwar

*Assistant Examiner* — Mojtaba Tehrani

(74) *Attorney, Agent, or Firm* — NSIP Law

(57) **CLAIM**

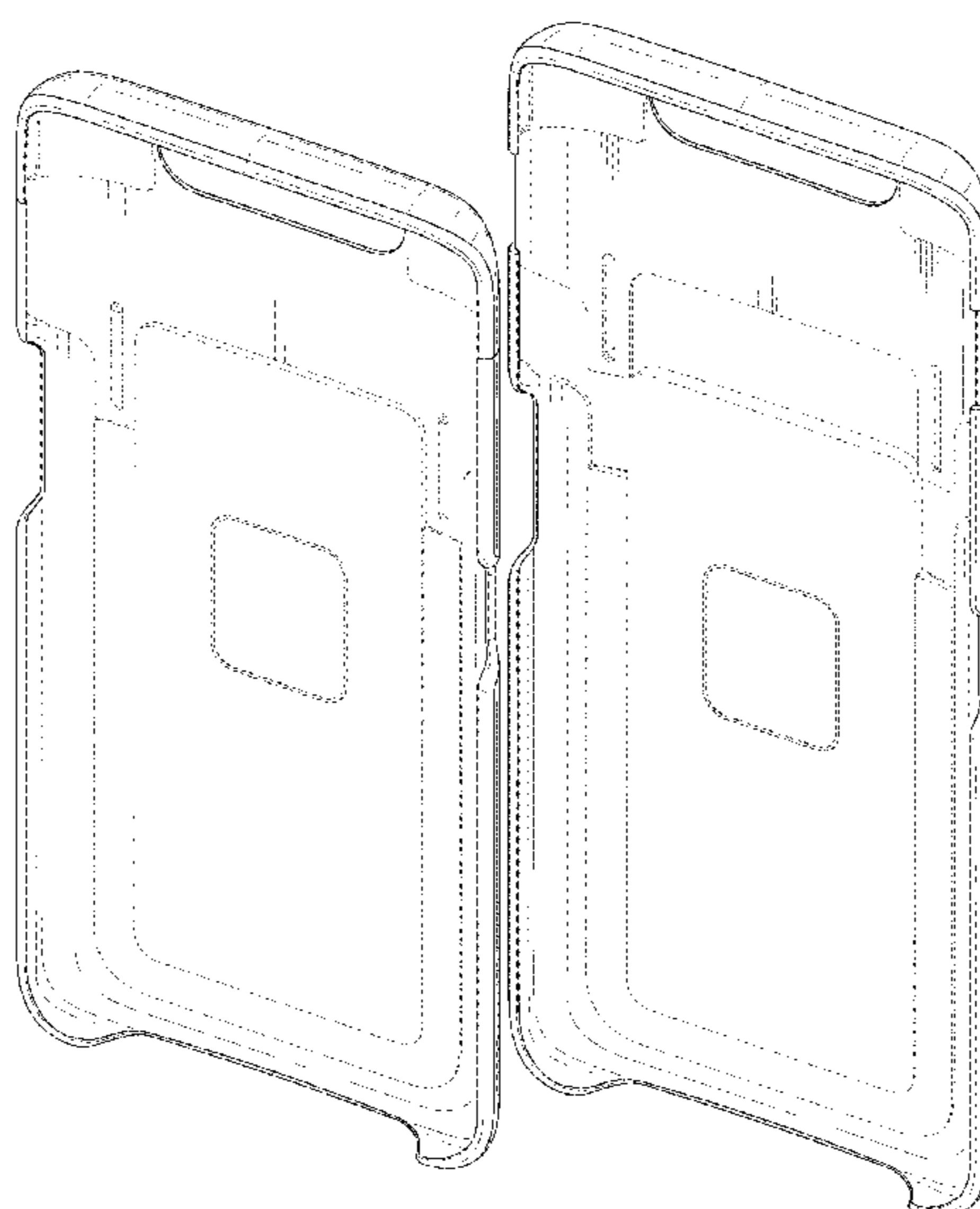
We claim the ornamental design for a case for electronic device, as shown and described.

**DESCRIPTION**

FIG. 1 is a front perspective view of a case for electronic device showing our new design;  
FIG. 2 is a front view thereof;  
FIG. 3 is a rear view thereof;  
FIG. 4 is a left-side view thereof;  
FIG. 5 is a right-side view thereof;  
FIG. 6 is a top view thereof;  
FIG. 7 is a bottom view thereof;  
FIG. 8 is a rear perspective view thereof;  
FIG. 9 is another front perspective view thereof showing the case in a lengthened state; and,  
FIG. 10 is a rear perspective view of the case shown in FIG. 9.

The evenly-dashed broken lines in the figures depict portions of the case for electronic device which form no part of the claimed design.

**1 Claim, 10 Drawing Sheets**



(56)

References Cited

U.S. PATENT DOCUMENTS

D797,091 S \* 9/2017 To ..... D14/250  
D797,092 S \* 9/2017 To ..... D14/250  
D797,093 S \* 9/2017 To ..... D14/250  
D806,694 S \* 1/2018 Chang ..... D14/250  
D810,729 S \* 2/2018 Ballou ..... D14/250  
D855,601 S \* 8/2019 Dang ..... D14/250  
D859,388 S \* 9/2019 Chung ..... D14/250  
D865,741 S \* 11/2019 Hawes ..... D14/250  
D867,354 S \* 11/2019 Choi ..... D14/250  
D868,769 S \* 12/2019 Choi ..... D14/250  
D869,453 S \* 12/2019 Wilder ..... D14/250  
D879,762 S \* 3/2020 Luo ..... D14/250  
D880,468 S \* 4/2020 Lee ..... D14/250  
2009/0186264 A1 \* 7/2009 Huang ..... H04B 1/3888  
429/96  
2015/0295439 A1 \* 10/2015 Huang ..... G06F 1/1632  
455/575.8  
2017/0359642 A1 \* 12/2017 Cho ..... H04R 1/028  
2019/0386696 A1 \* 12/2019 Luo ..... A45C 11/00  
2019/0386697 A1 \* 12/2019 Luo ..... H04M 1/185

FOREIGN PATENT DOCUMENTS

KR 30-2015-0067138 3/2016  
KR 30-2016-0002421 10/2016  
KR 30-2018-0009809 12/2018

\* cited by examiner

FIG. 1

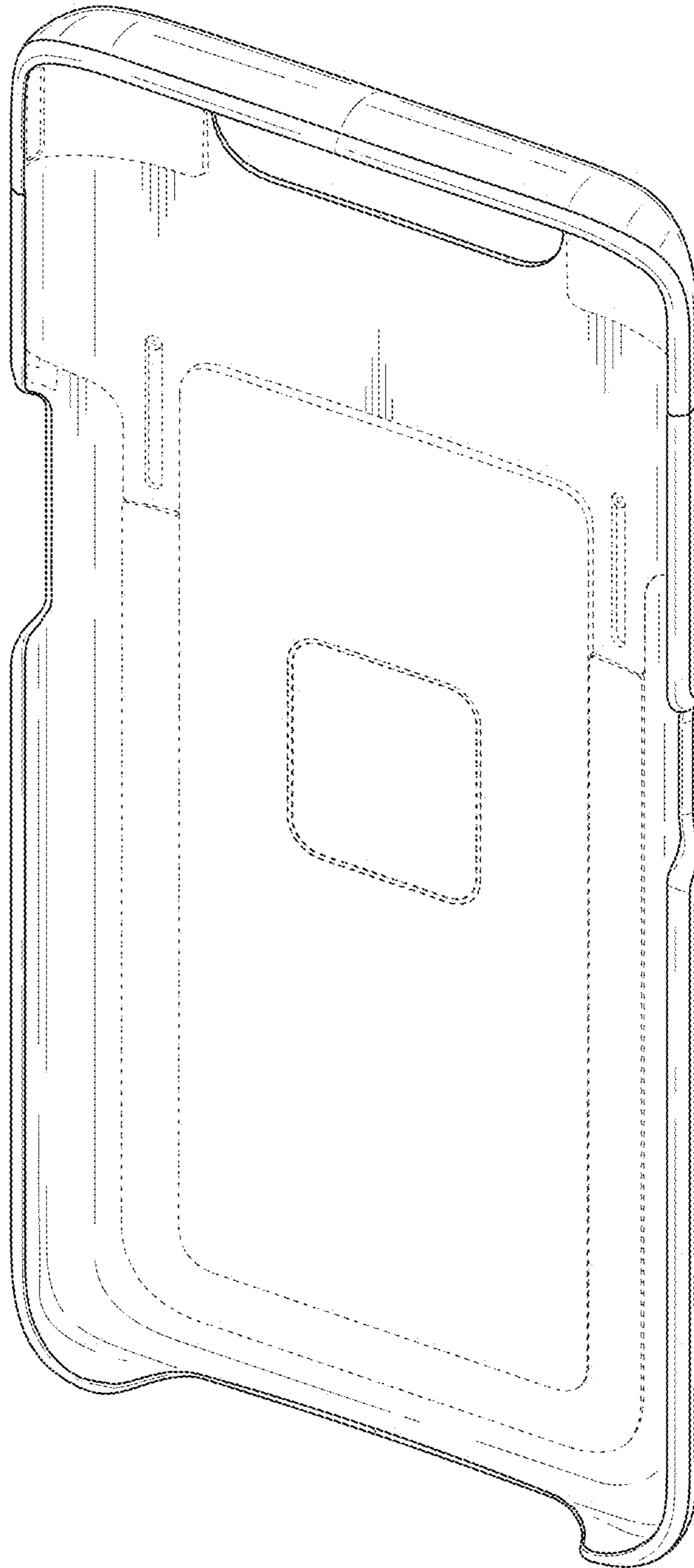


FIG. 2

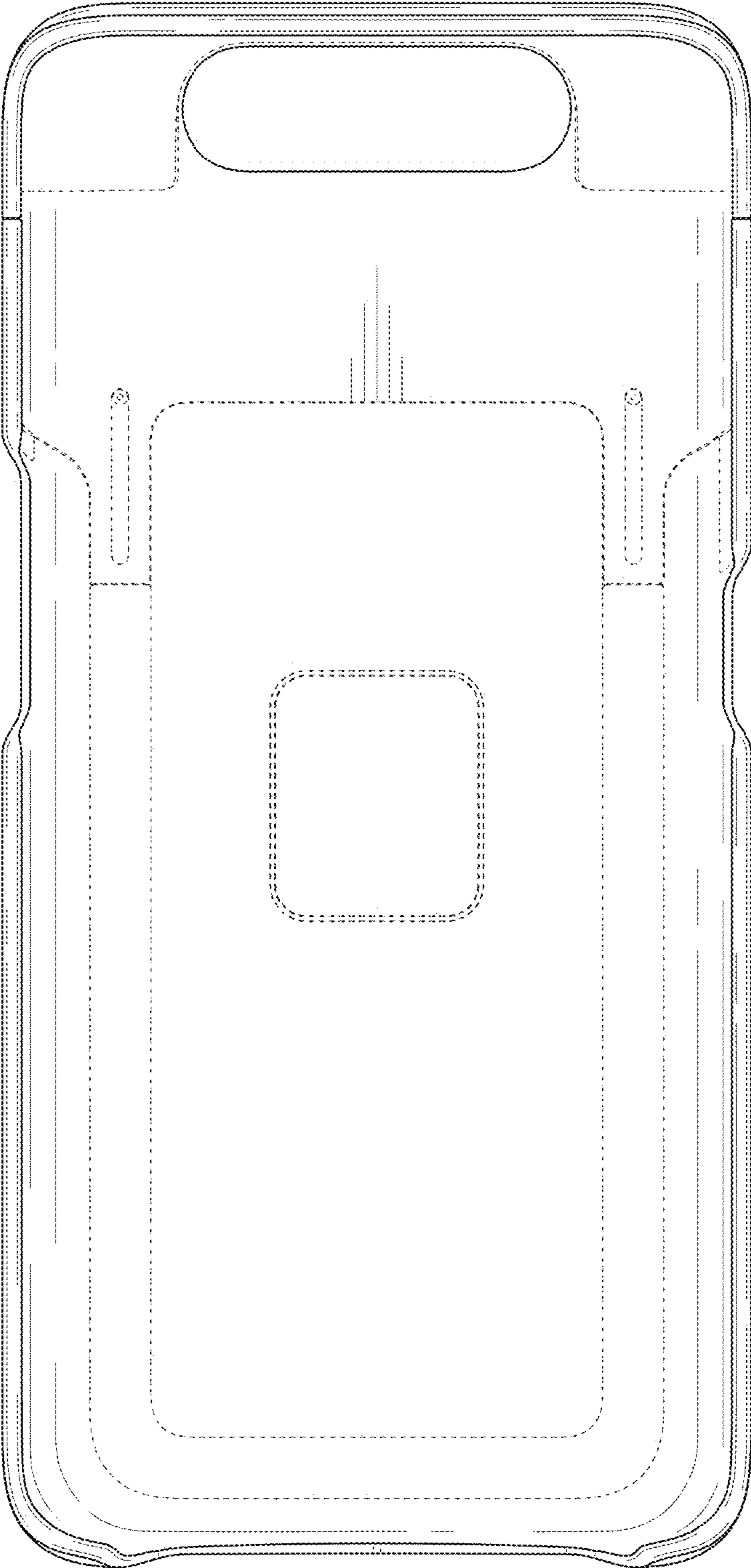


FIG. 3

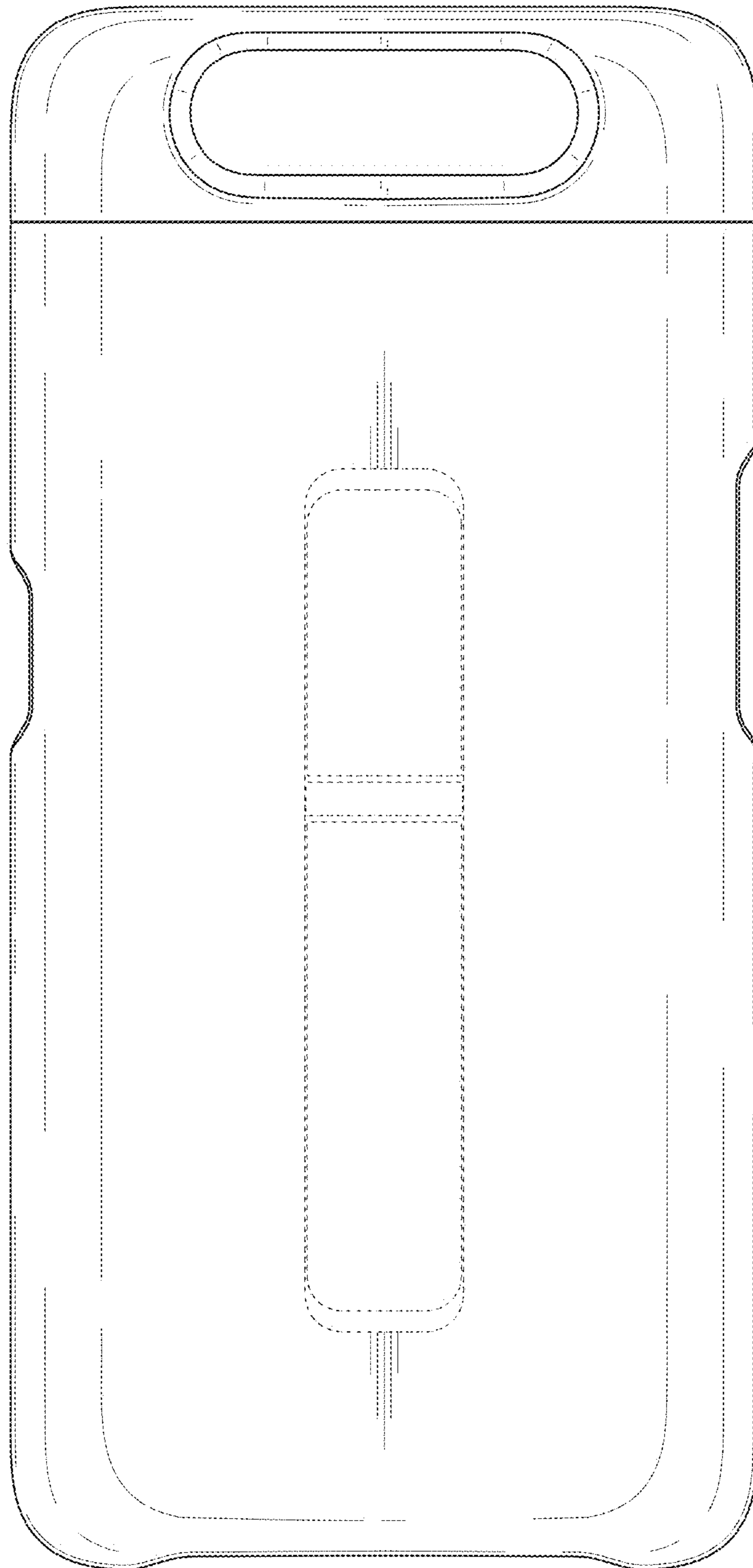


FIG. 4

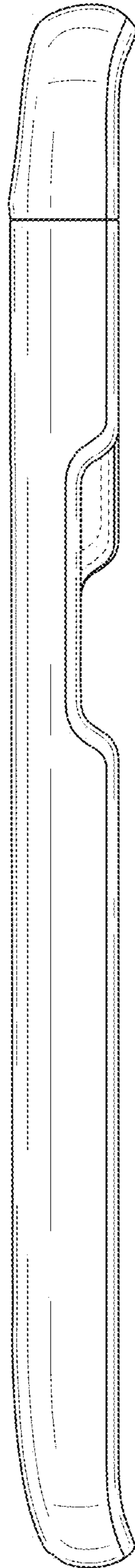


FIG. 5

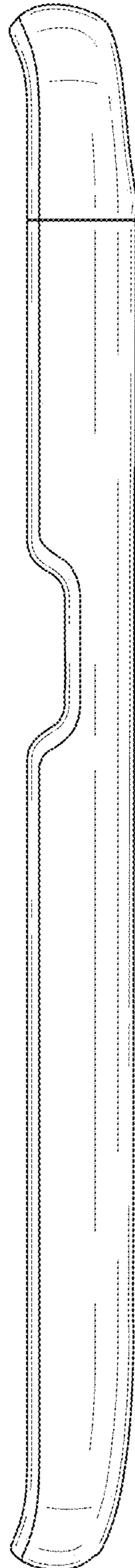


FIG. 6

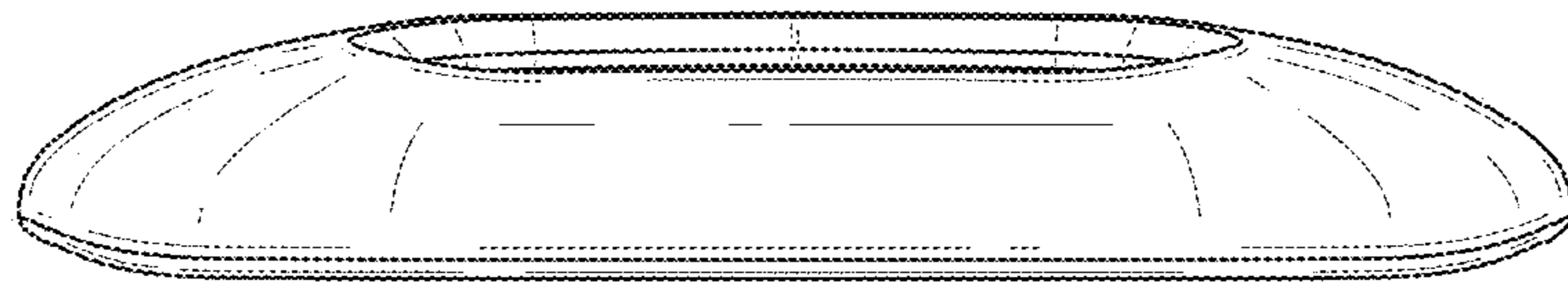




FIG. 7

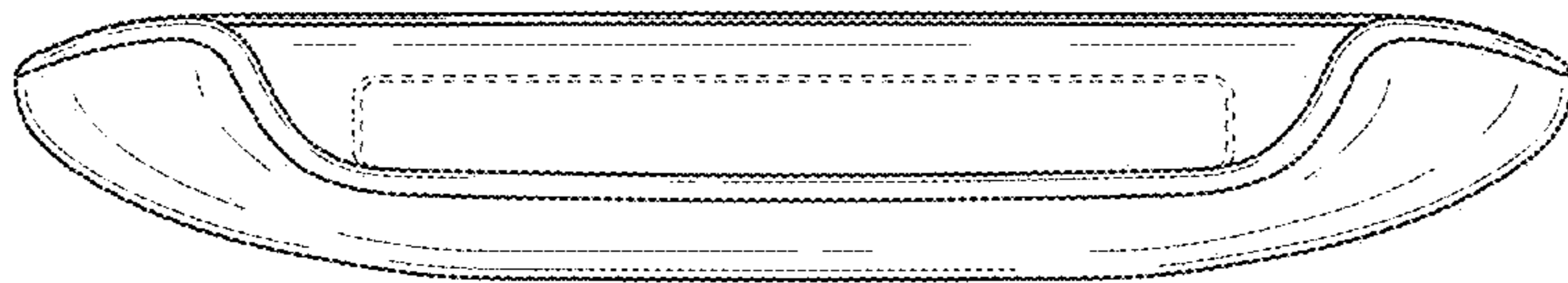


FIG. 8

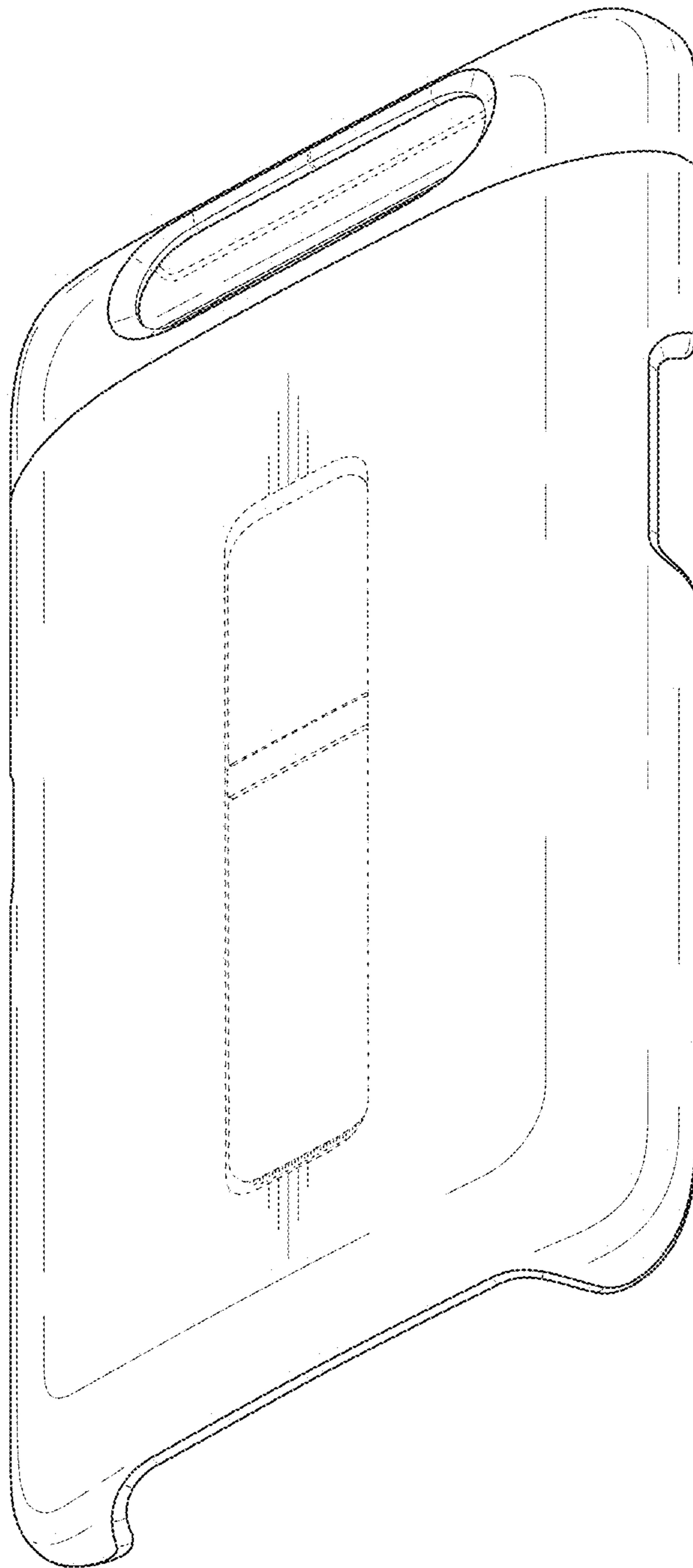


FIG. 9

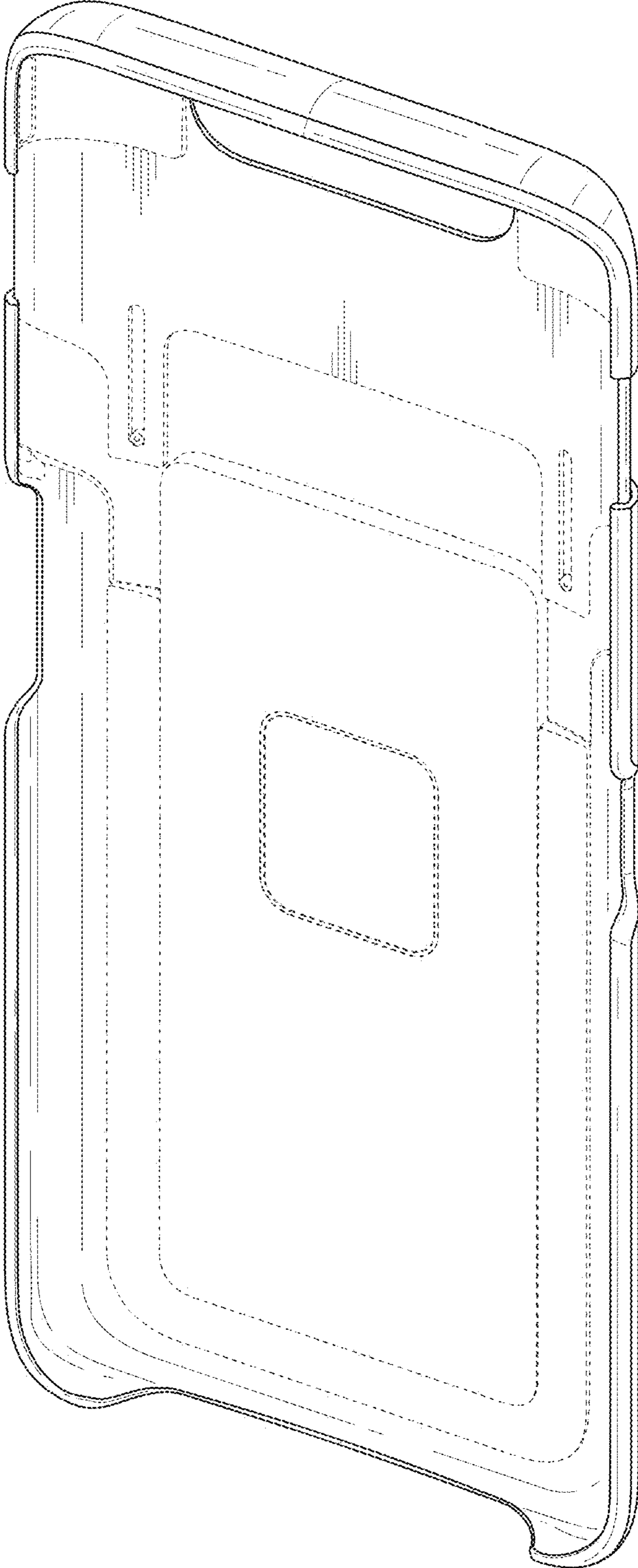


FIG. 10

