



US00D907018S

(12) **United States Design Patent** (10) **Patent No.:** **US D907,018 S**  
**Pei** (45) **Date of Patent:** **\*\* Jan. 5, 2021**

(54) **TV MOUNT**

D842,283 S \* 3/2019 Pei ..... D14/239  
D848,989 S \* 5/2019 Pei ..... D14/239  
D849,727 S \* 5/2019 van Til ..... D14/239

(71) Applicant: **XINADDA (HONG KONG) LIMITED**, Hong Kong (CN)

(Continued)

(72) Inventor: **Xu Bo Pei**, Guangdong (CN)

FOREIGN PATENT DOCUMENTS

(73) Assignee: **XINADDA (HONG KONG) LIMITED**, Hong Kong (CN)

CN 305820522 \* 11/2019  
GB 6011474 \* 4/2017

(\*\*) Term: **15 Years**

OTHER PUBLICATIONS

(21) Appl. No.: **29/711,599**

Full Motion TV Wall Mount for 42"-80" TVs—EGLF2, first available Mar. 5, 2020, newegg.com, [online], [site visited Oct. 1, 2020], Available from internet URL: <https://www.newegg.com/p/169-00SY-00007> (Year: 2020).\*

(22) Filed: **Oct. 31, 2019**

(Continued)

(51) **LOC (13) Cl.** ..... **14-03**

(52) **U.S. Cl.**  
USPC ..... **D14/239**

*Primary Examiner* — Samantha Q Lawrence

*Assistant Examiner* — Holly M Rodriguez

(74) *Attorney, Agent, or Firm* — JCIP Global Inc.

(58) **Field of Classification Search**  
USPC ..... D14/448, 432, 217, 496; D8/349, 363  
CPC .. A47B 97/001; A47B 81/061; H05K 5/0017;  
A63B 2225/685

See application file for complete search history.

(57) **CLAIM**

The ornamental design for a TV mount, as shown and described.

**DESCRIPTION**

(56) **References Cited**

U.S. PATENT DOCUMENTS

D530,595 S \* 10/2006 Lam ..... D8/373  
D538,632 S \* 3/2007 Ly Hau ..... D8/363  
D539,125 S \* 3/2007 Ly Hau ..... D8/373  
D539,637 S \* 4/2007 Ly Hau ..... D8/373  
D553,125 S \* 10/2007 Ly Hau ..... D14/239  
D560,671 S \* 1/2008 Muday ..... D14/451  
D570,852 S \* 6/2008 Muday ..... D14/451  
D594,001 S \* 6/2009 Sexton ..... D14/239  
D635,130 S \* 3/2011 Skull ..... D14/239  
D650,373 S \* 12/2011 Stemple ..... D14/239  
D666,206 S \* 8/2012 Huang ..... D14/452  
D691,121 S \* 10/2013 Luijben ..... D14/239  
D729,766 S \* 5/2015 Luijben ..... D14/209  
D811,376 S \* 2/2018 Pei ..... D14/239  
D836,617 S \* 12/2018 Shu ..... D14/239

FIG. 1 is a perspective view of a TV mount showing my new design;

FIG. 2 is a front view thereof;

FIG. 3 is a rear view thereof;

FIG. 4 is a left side view thereof;

FIG. 5 is a right side view thereof;

FIG. 6 is a top view thereof;

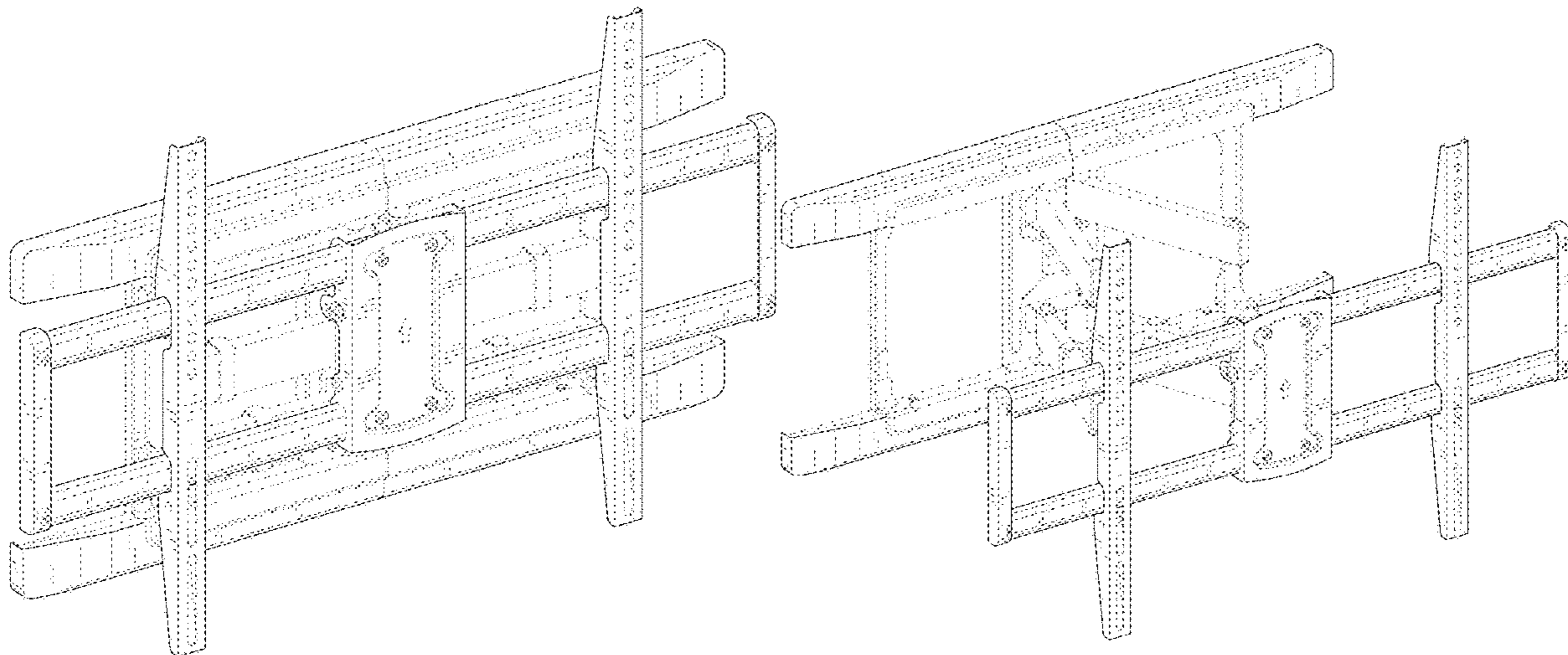
FIG. 7 is a bottom view thereof;

FIG. 8 is a front perspective view thereof, showing the TV mount in a use state; and,

FIG. 9 is a rear perspective view thereof, showing the TV mount in a use state.

The broken lines shown in the drawings represent portions of the TV mount that form no part of the claimed design.

**1 Claim, 7 Drawing Sheets**



(56)

**References Cited**

U.S. PATENT DOCUMENTS

D852,174 S \* 6/2019 Pei ..... D14/239  
D852,790 S \* 7/2019 Pei ..... D14/239  
D858,493 S \* 9/2019 Pei ..... D14/239  
D874,449 S \* 2/2020 Ahrens ..... D14/239  
D888,027 S \* 6/2020 Pei ..... D14/239  
2008/0308697 A1\* 12/2008 Woods ..... F16M 11/10  
248/231.91  
2009/0050763 A1\* 2/2009 Dittmer ..... F16M 11/24  
248/284.1  
2010/0309615 A1\* 12/2010 Grey ..... F16M 11/24  
361/679.01  
2011/0019344 A1\* 1/2011 Russell ..... F16M 11/2092  
361/679.01  
2018/0010735 A1\* 1/2018 Smolek ..... F16M 13/02  
2019/0390817 A1\* 12/2019 Pei ..... F16M 11/10

OTHER PUBLICATIONS

USX Mount Full Motion TV Wall Mount , first available May 8, 2018, amazon.com, [online], [site visited Oct. 2, 2020], Available from internet URL: [https://www.amazon.com/USX-MOUNT-TVs-Fits-600x400mm-Weight-Capacity/dp/B07CXF452P/ref=pd\\_bxgy\\_img\\_2/137-7997348-9236537?\\_enc%E2%80%A6](https://www.amazon.com/USX-MOUNT-TVs-Fits-600x400mm-Weight-Capacity/dp/B07CXF452P/ref=pd_bxgy_img_2/137-7997348-9236537?_enc%E2%80%A6) (Year: 2018).\*

\* cited by examiner

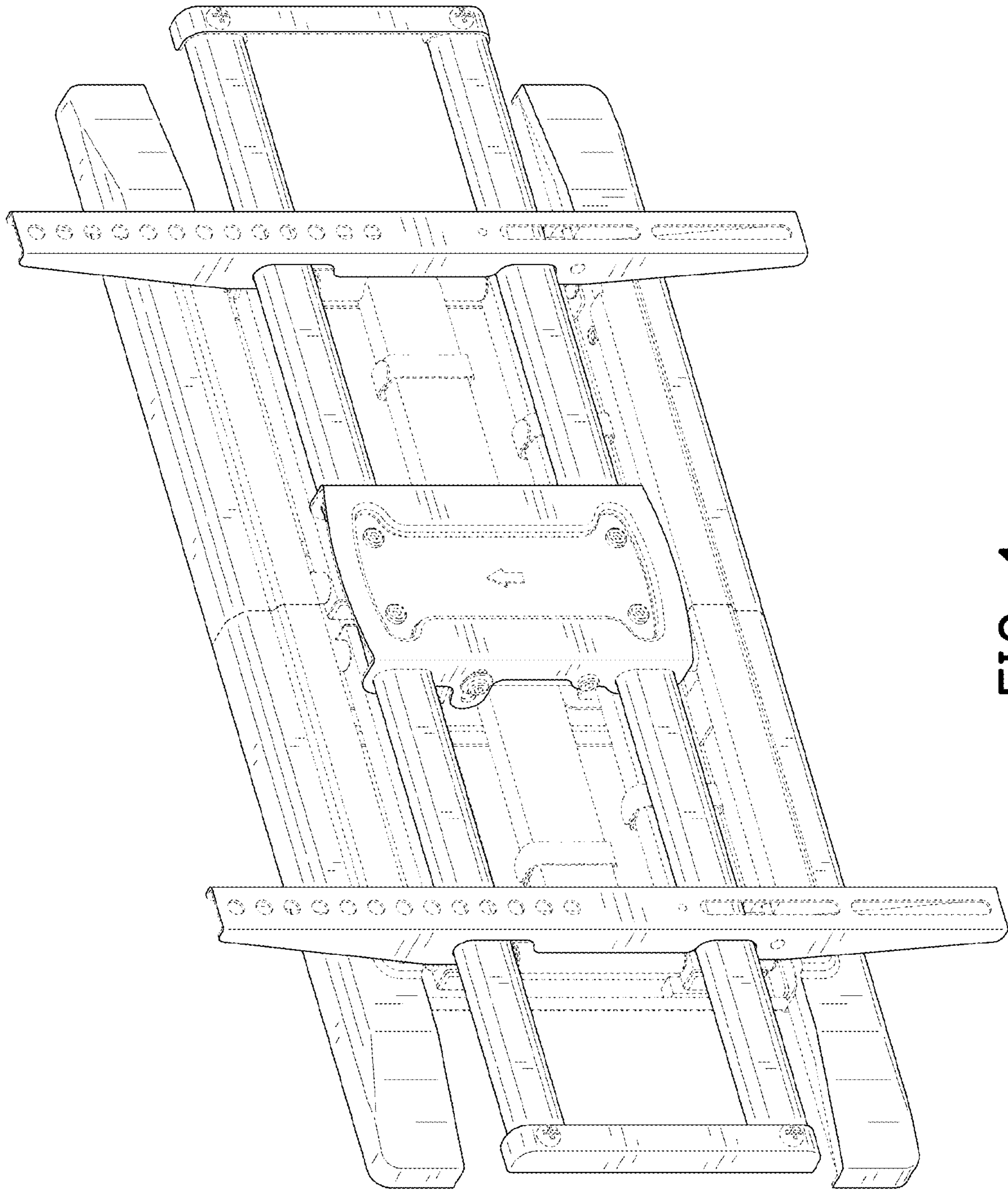


FIG. 1

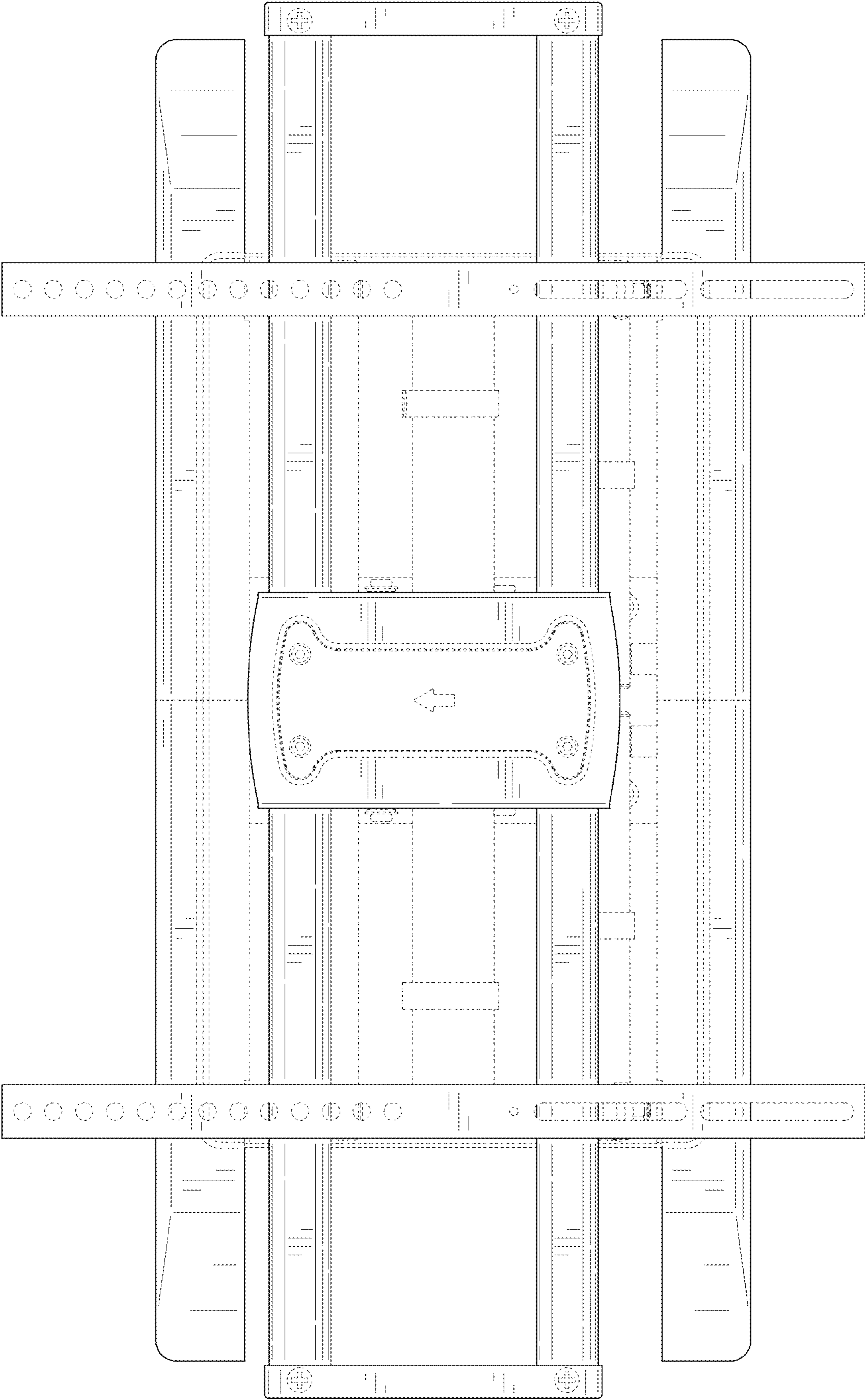


FIG. 2

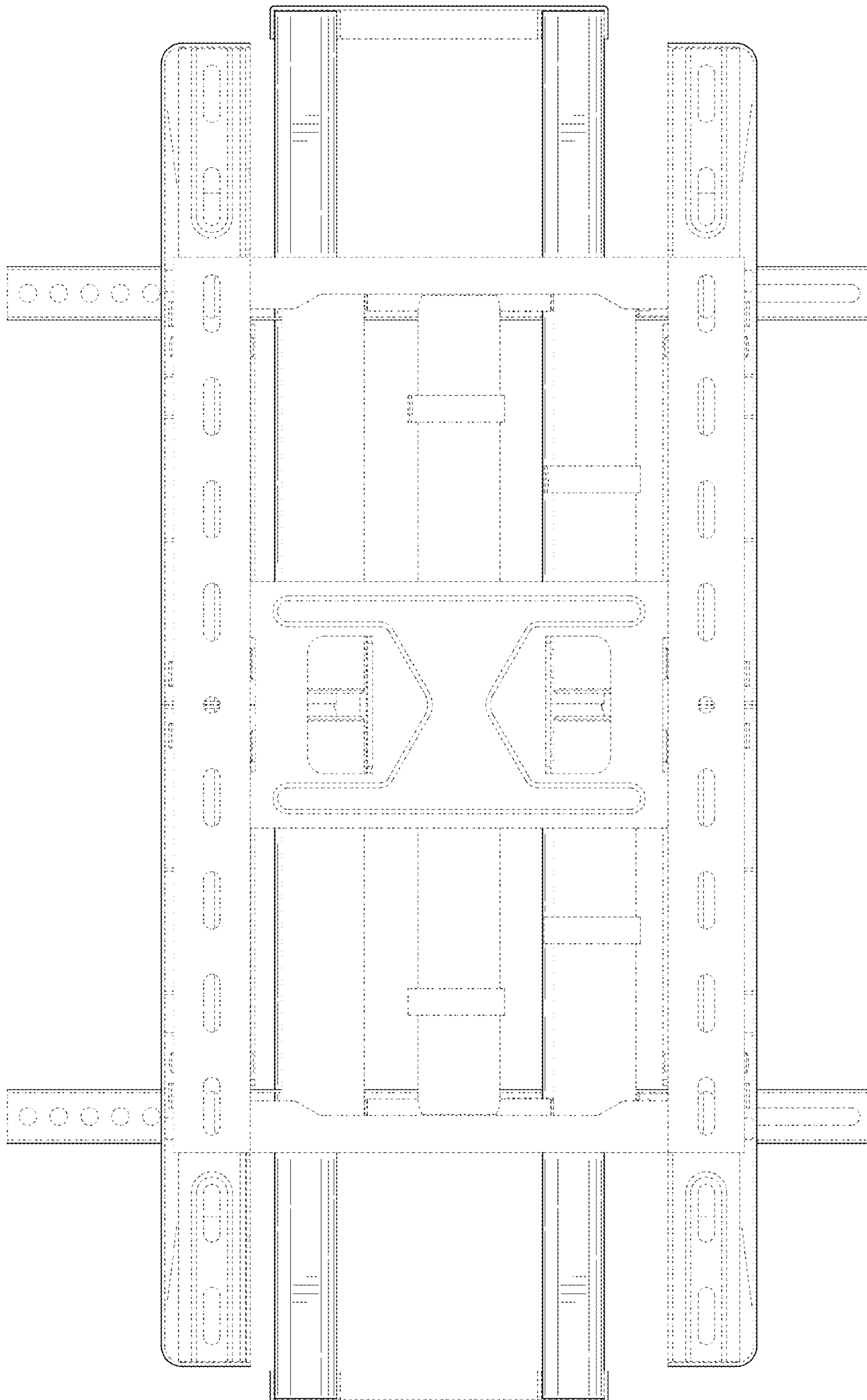


FIG. 3

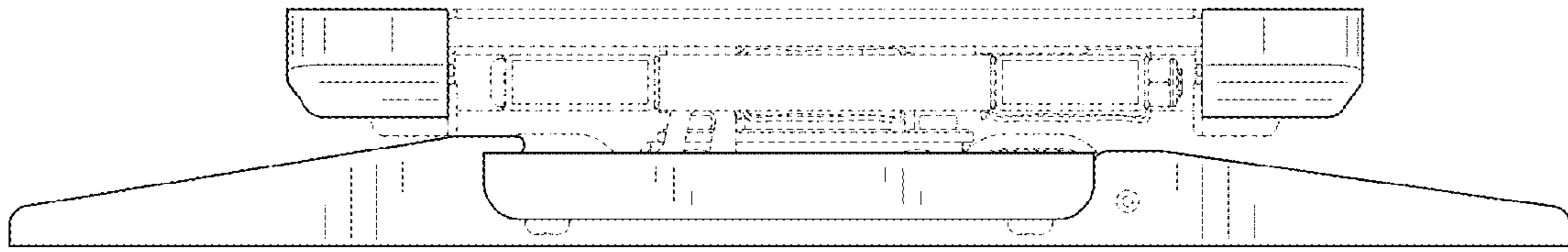


FIG. 5

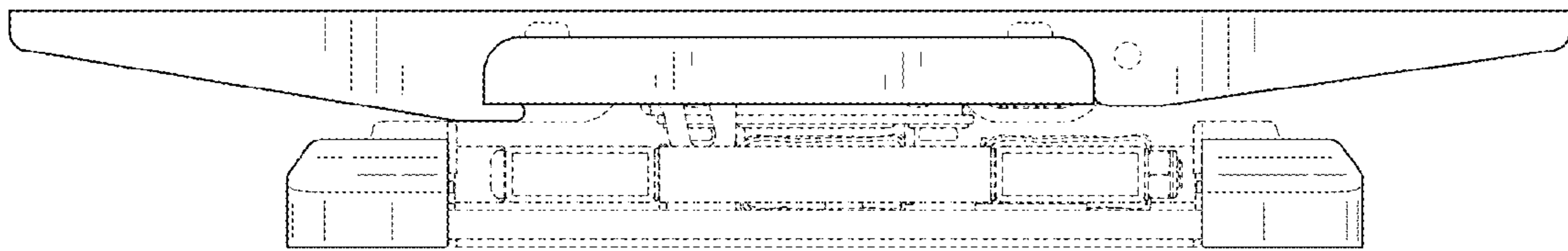


FIG. 4

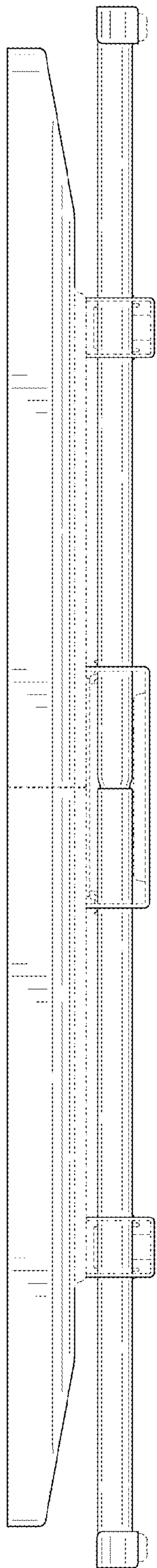


FIG. 6

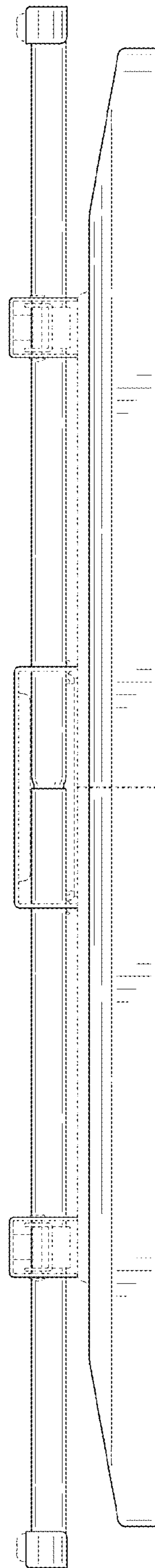


FIG. 7

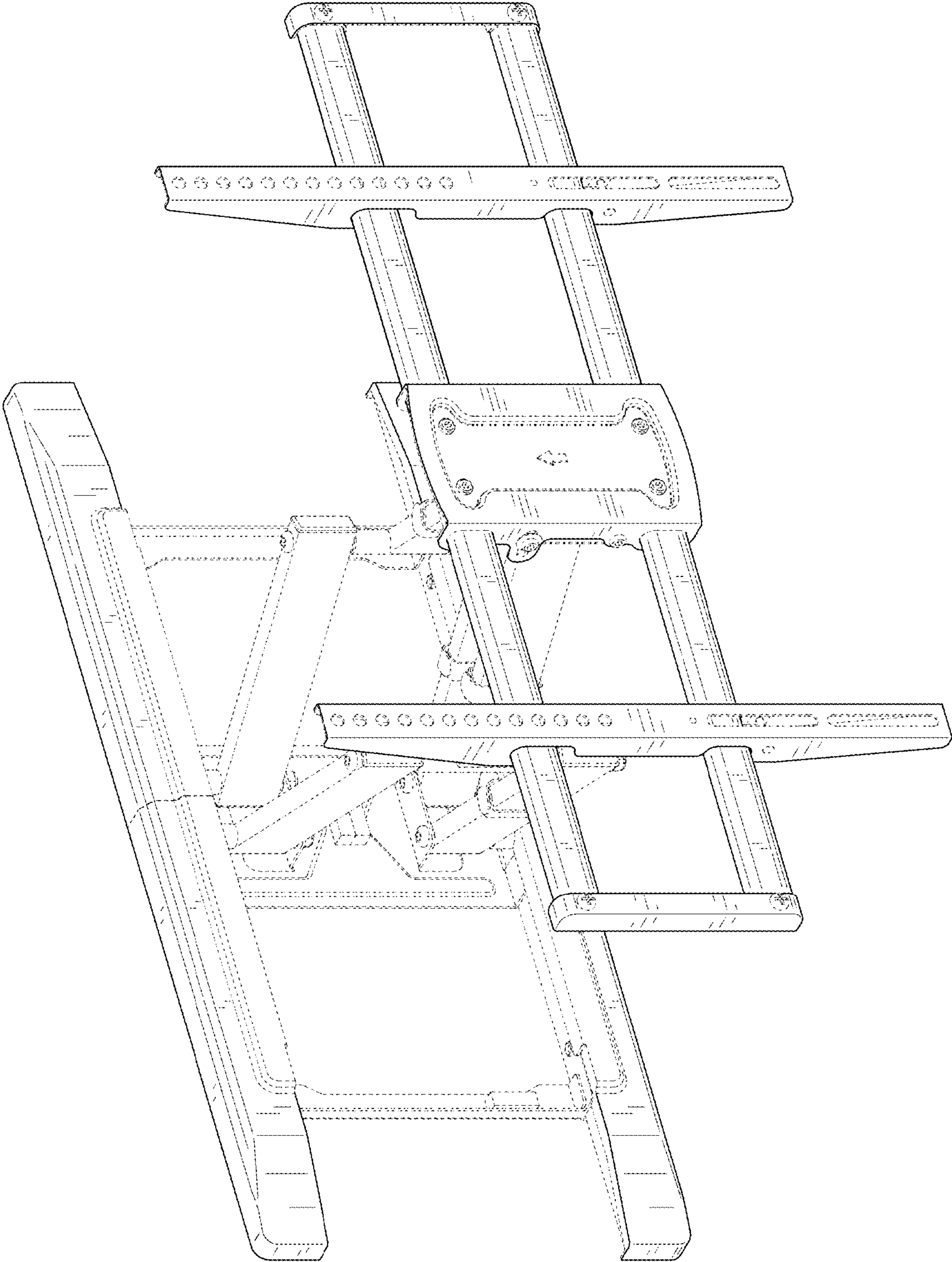


FIG. 8



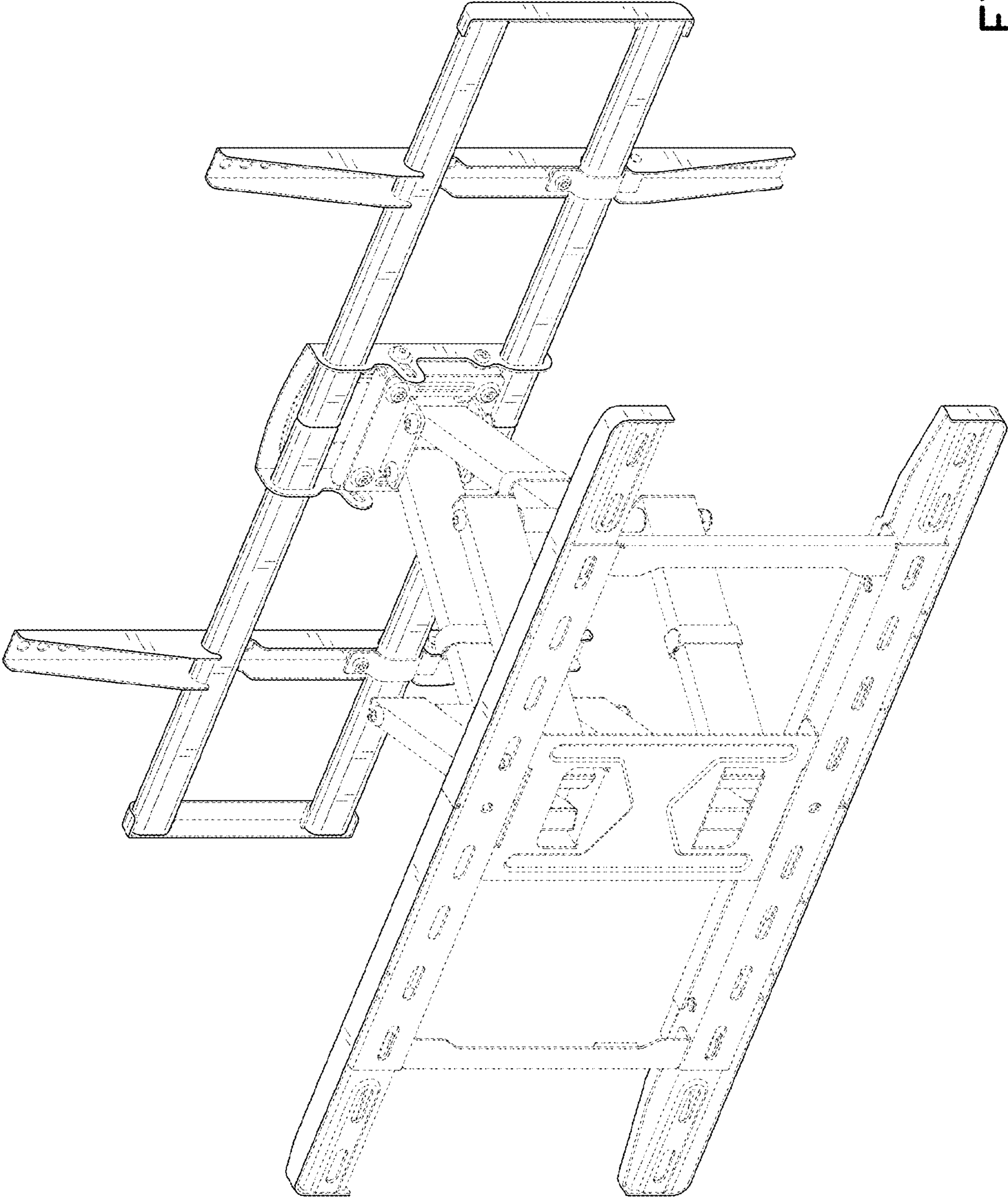


FIG. 9