



US00D907017S

(12) **United States Design Patent**
Cran

(10) **Patent No.:** **US D907,017 S**

(45) **Date of Patent:** **** Jan. 5, 2021**

(54) **ANTENNA ADAPTER**

(71) Applicant: **Make Great Sales Limited**, Wanchai (HK)

(72) Inventor: **Bruce Cran**, Richmond (CA)

(73) Assignee: **Make Great Sales Limited**, Hong Kong (HK)

(**) Term: **15 Years**

(21) Appl. No.: **29/665,545**

(22) Filed: **Oct. 4, 2018**

(51) **LOC (13) Cl.** **14-03**

(52) **U.S. Cl.**
USPC **D14/238**

(58) **Field of Classification Search**
USPC D14/137, 138, 230–238, 299, 358
CPC H01Q 7/00; H01Q 13/10; H01Q 9/285;
H01Q 19/30; H01Q 19/12; H01Q 1/36;
H01Q 1/38; H01Q 1/0475; H01Q 1/034;
H05K 11/00; G05D 1/0234; G06K
19/07749

See application file for complete search history.

(56) **References Cited**

U.S. PATENT DOCUMENTS

D531,626 S *	11/2006	Agrawal	D14/233
D550,659 S *	9/2007	Noro	D14/230
D566,698 S *	4/2008	Choi	D14/240
D634,308 S *	3/2011	Bliss	D14/233
D689,044 S *	9/2013	Poddaturi	D14/238
D729,214 S *	5/2015	Beaudoin	D14/230

D751,534 S *	3/2016	Lenz	D14/230
D773,443 S *	12/2016	Sano	D14/230
D875,705 S *	2/2020	Zimmerman, III	D14/140.6
D879,638 S *	3/2020	Pan	D10/114.8
D892,758 S *	8/2020	Zimmerman, III	D14/140.6
D892,760 S *	8/2020	Aaron	D14/140.6
D893,442 S *	8/2020	Zimmerman, III	D14/140.6
2005/0110649 A1 *	5/2005	Fredericks	B64D 47/06 340/815.45

* cited by examiner

Primary Examiner — John Windmuller

(74) *Attorney, Agent, or Firm* — Amy Fong; McCarthy Tetrault LLP

(57) **CLAIM**

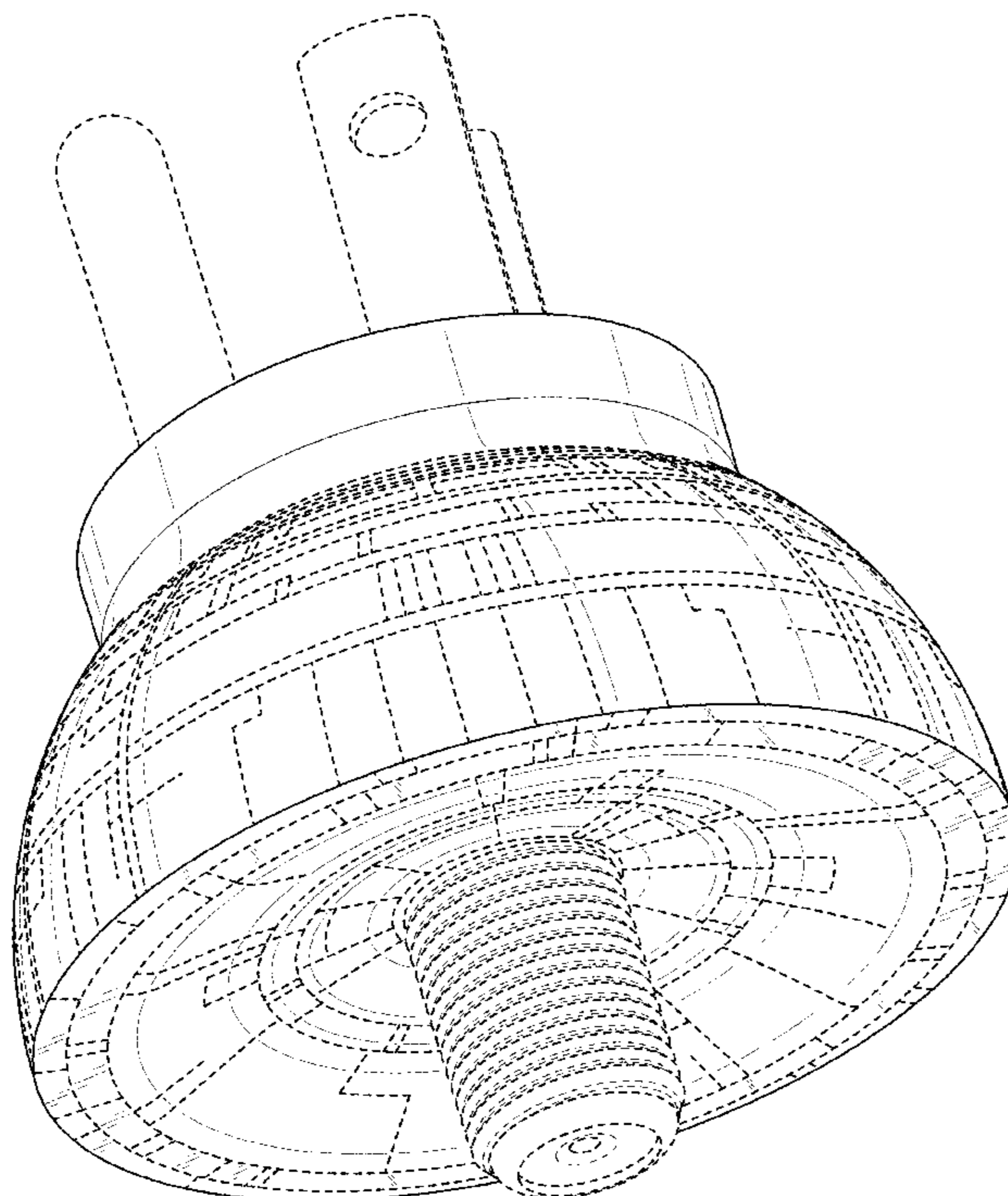
The ornamental design for an antenna adapter, as shown and described.

DESCRIPTION

FIG. 1 is a front, right, top perspective view of the antenna adapter in accordance with the design; FIG. 2 is a top view thereof; FIG. 3 is a bottom view thereof; FIG. 4 is a left side elevational view thereof; FIG. 5 is a right side elevational view thereof; FIG. 6 is a rear elevational view thereof; and, FIG. 7 is a front elevational view thereof.

The broken lines in FIGS. 1-7, located on the body portion of the antenna adapter, illustrate surface etching, which forms no part of the claimed design. The broken lines in FIGS 1-7 located around the periphery of projections from the body portion, illustrate electrical connection structure of the antenna adapter, which form no part of the claimed design.

1 Claim, 7 Drawing Sheets



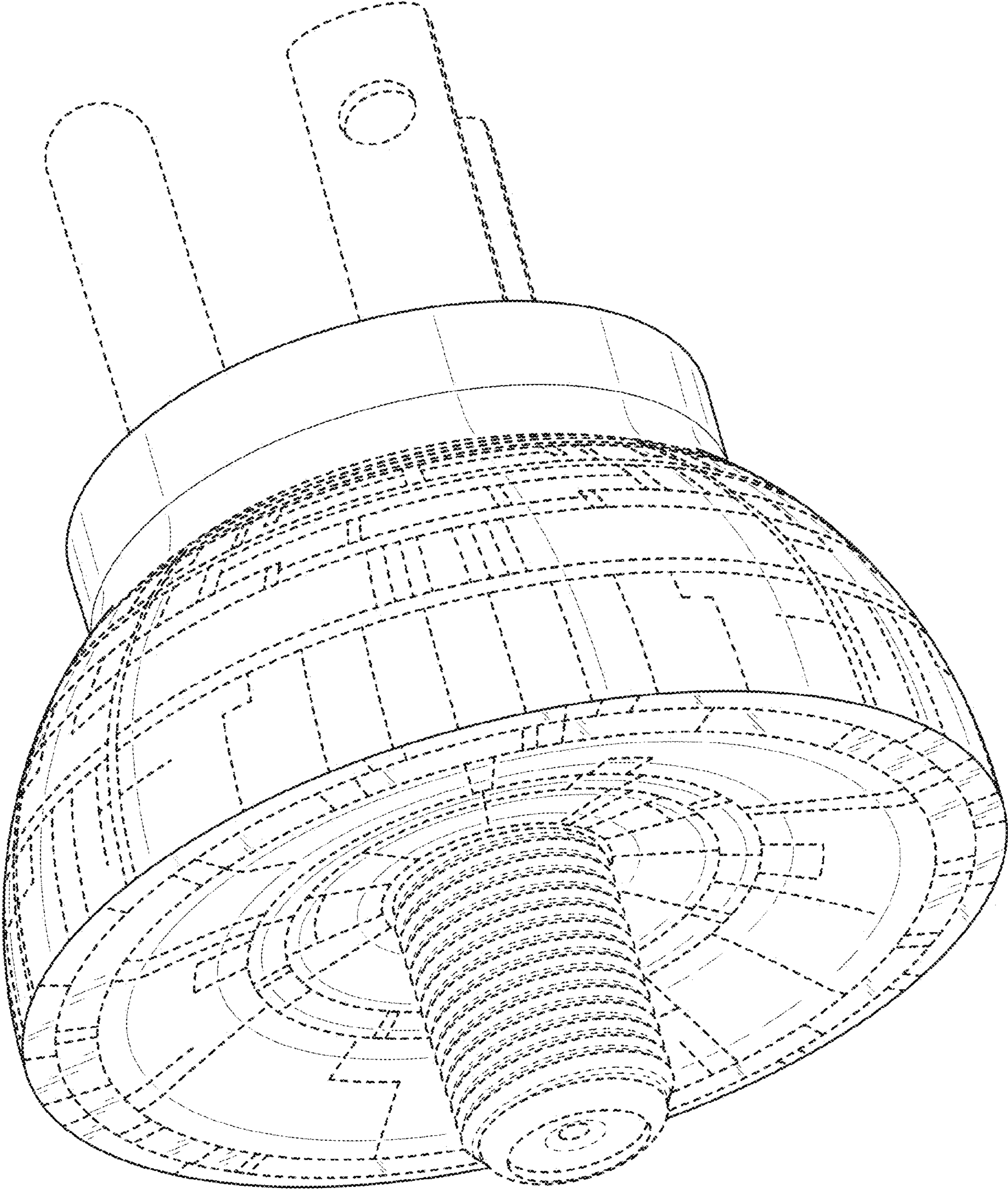


FIG. 1

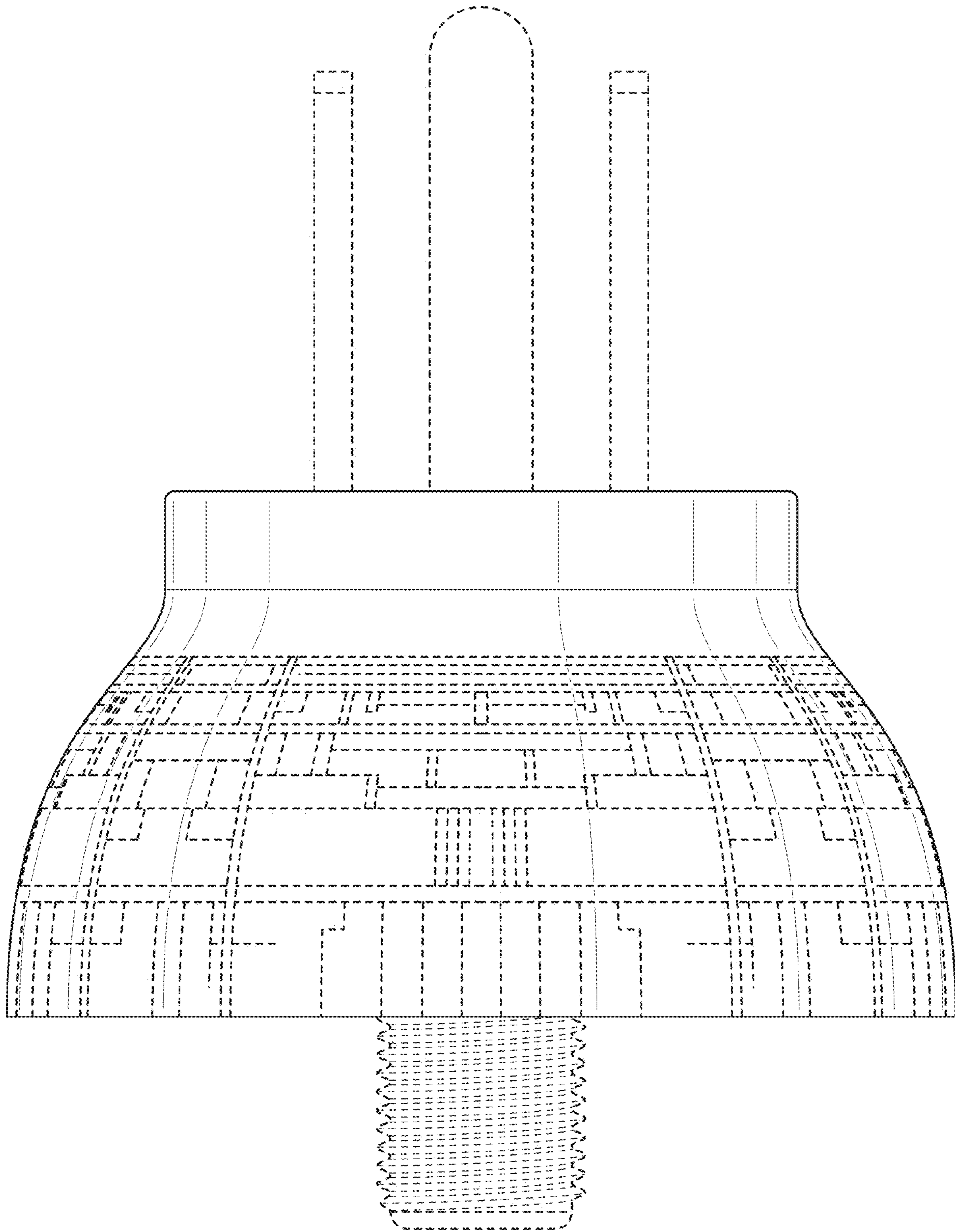


FIG. 2

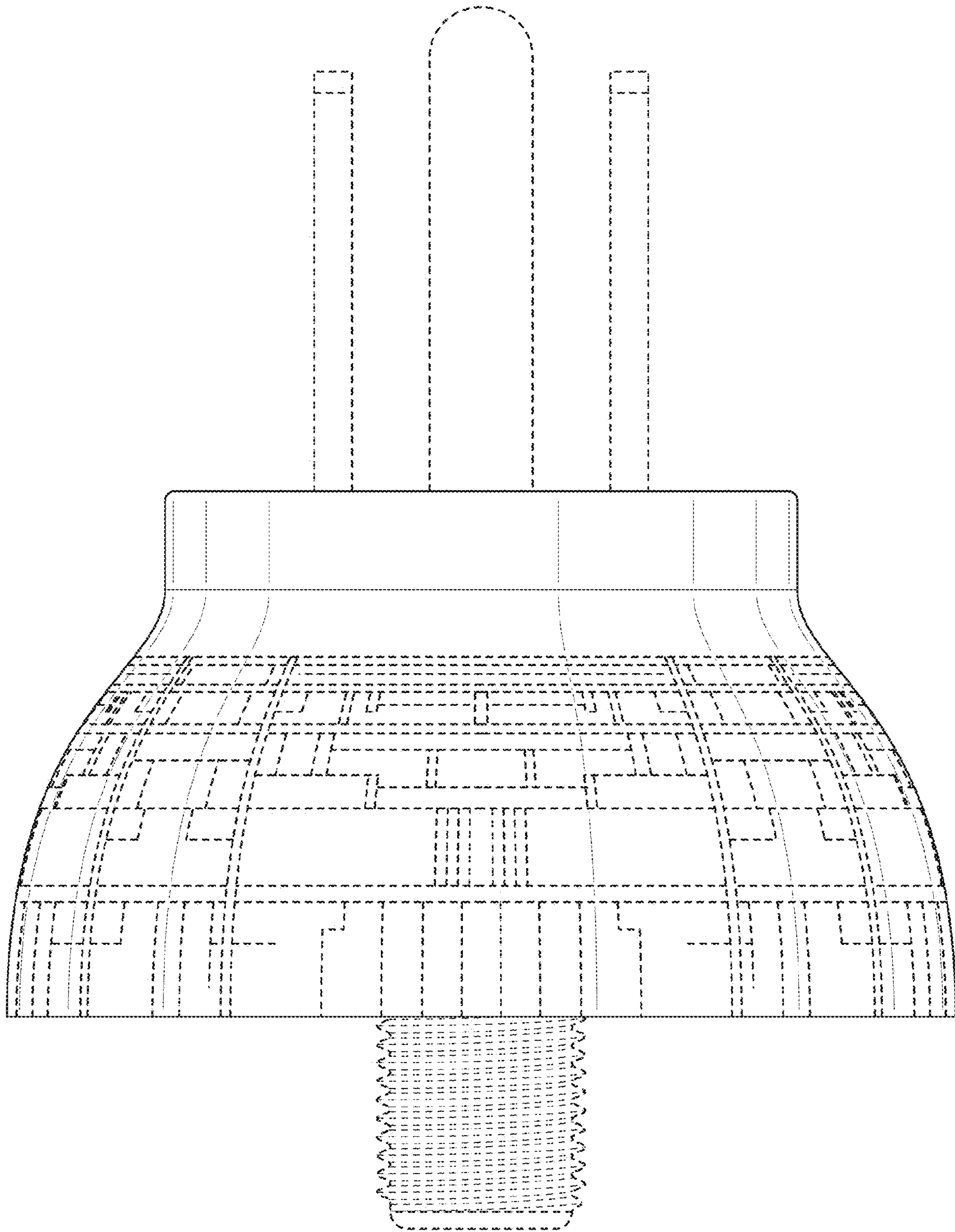


FIG. 3

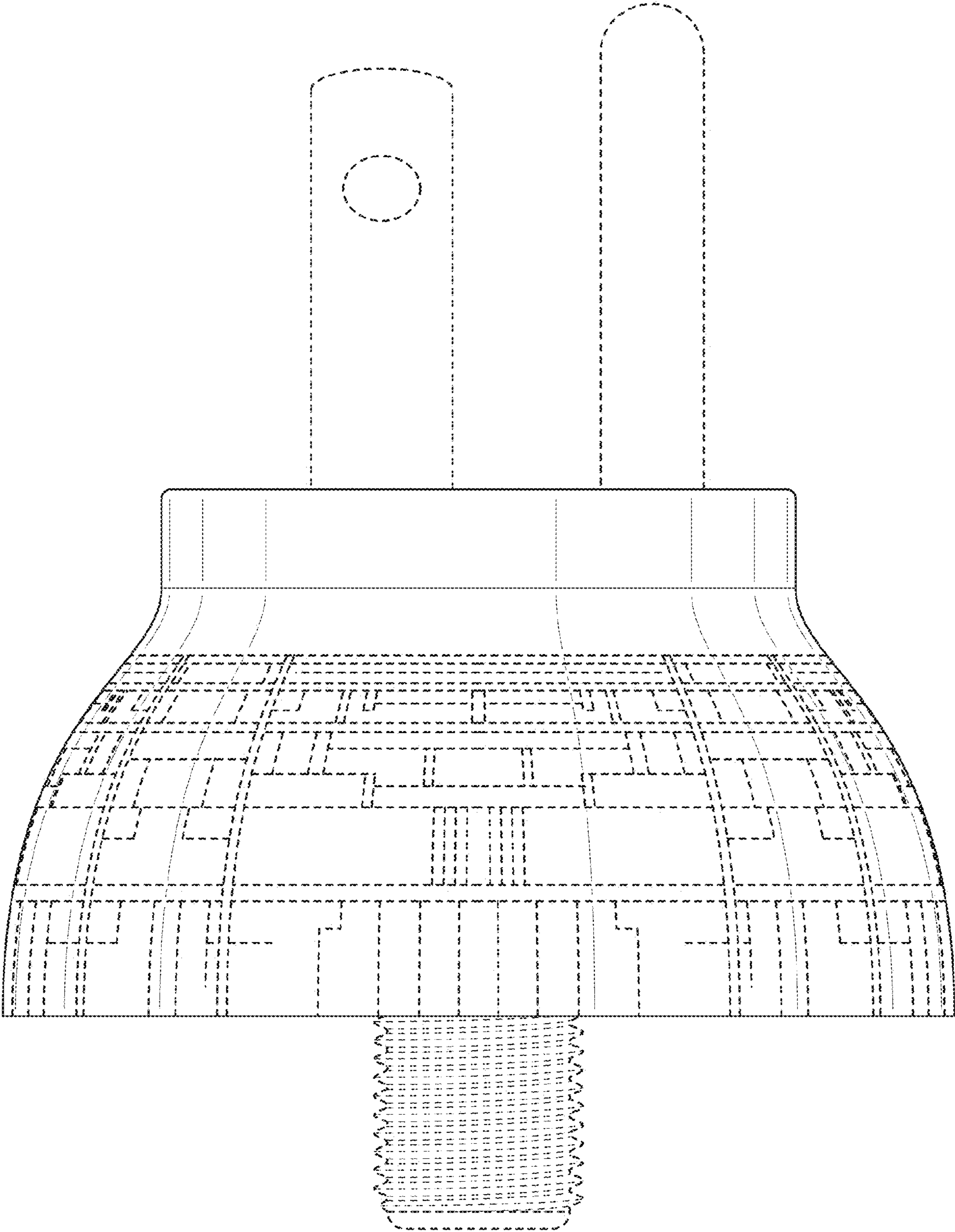


FIG. 4

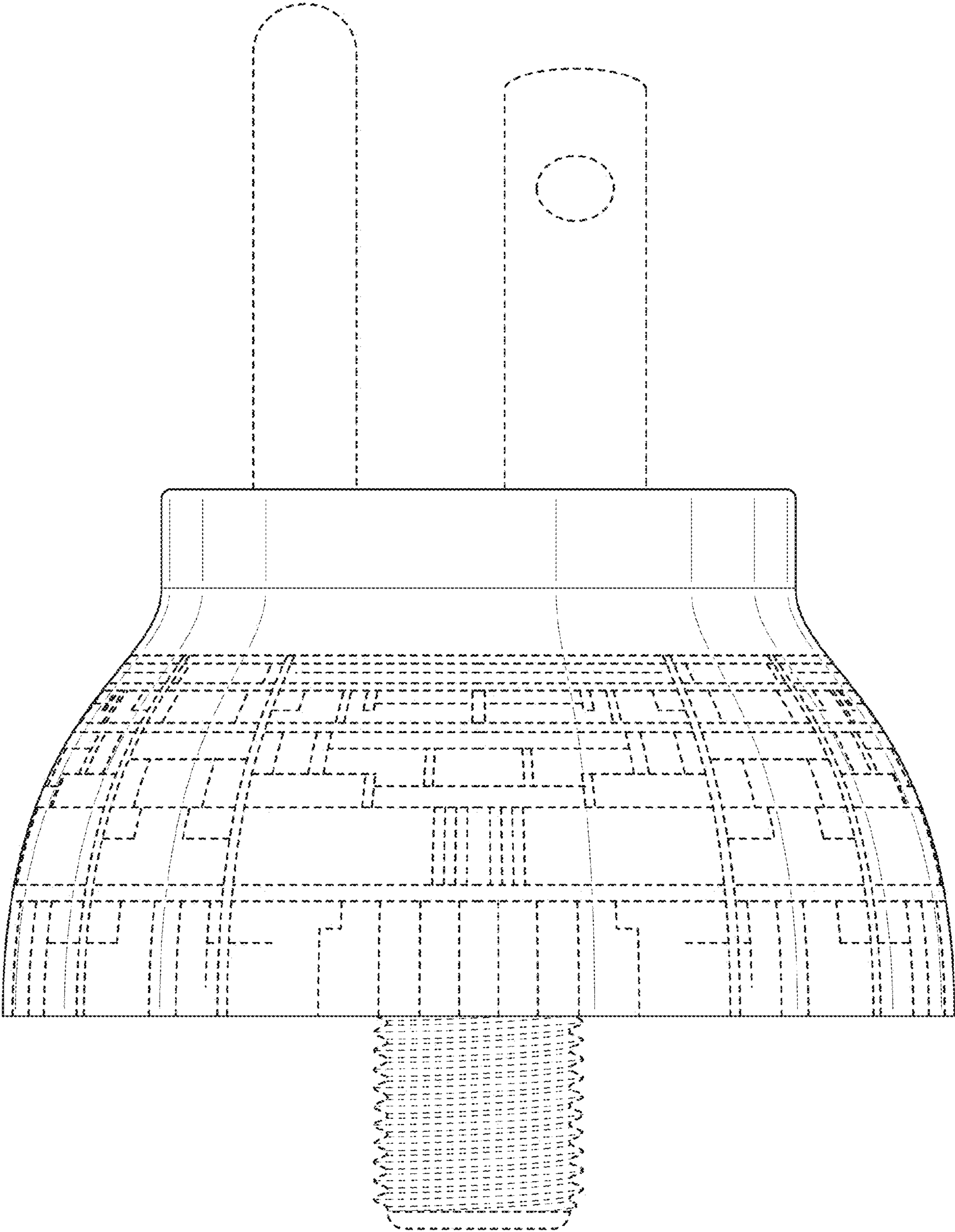


FIG. 5

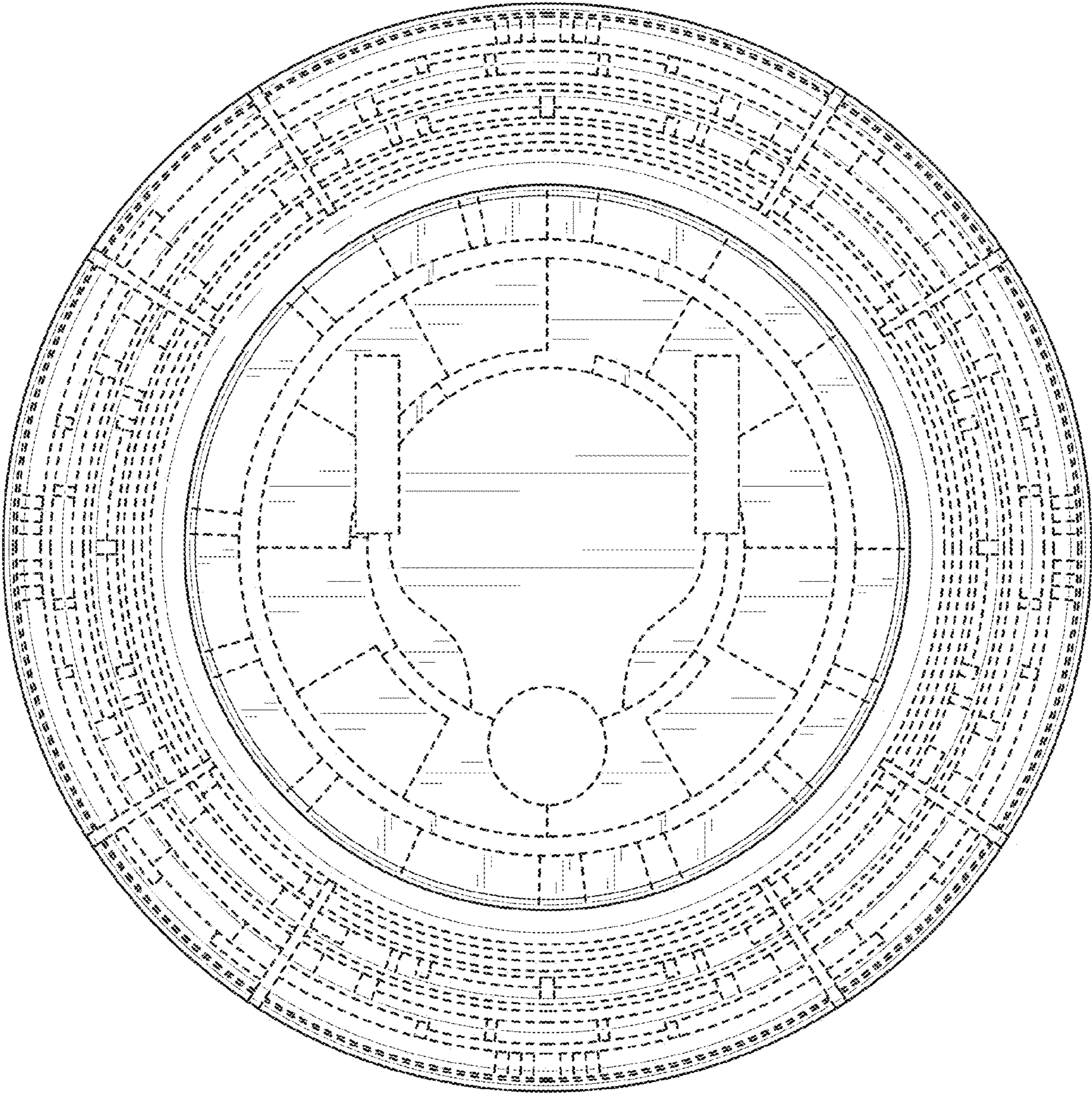


FIG. 6

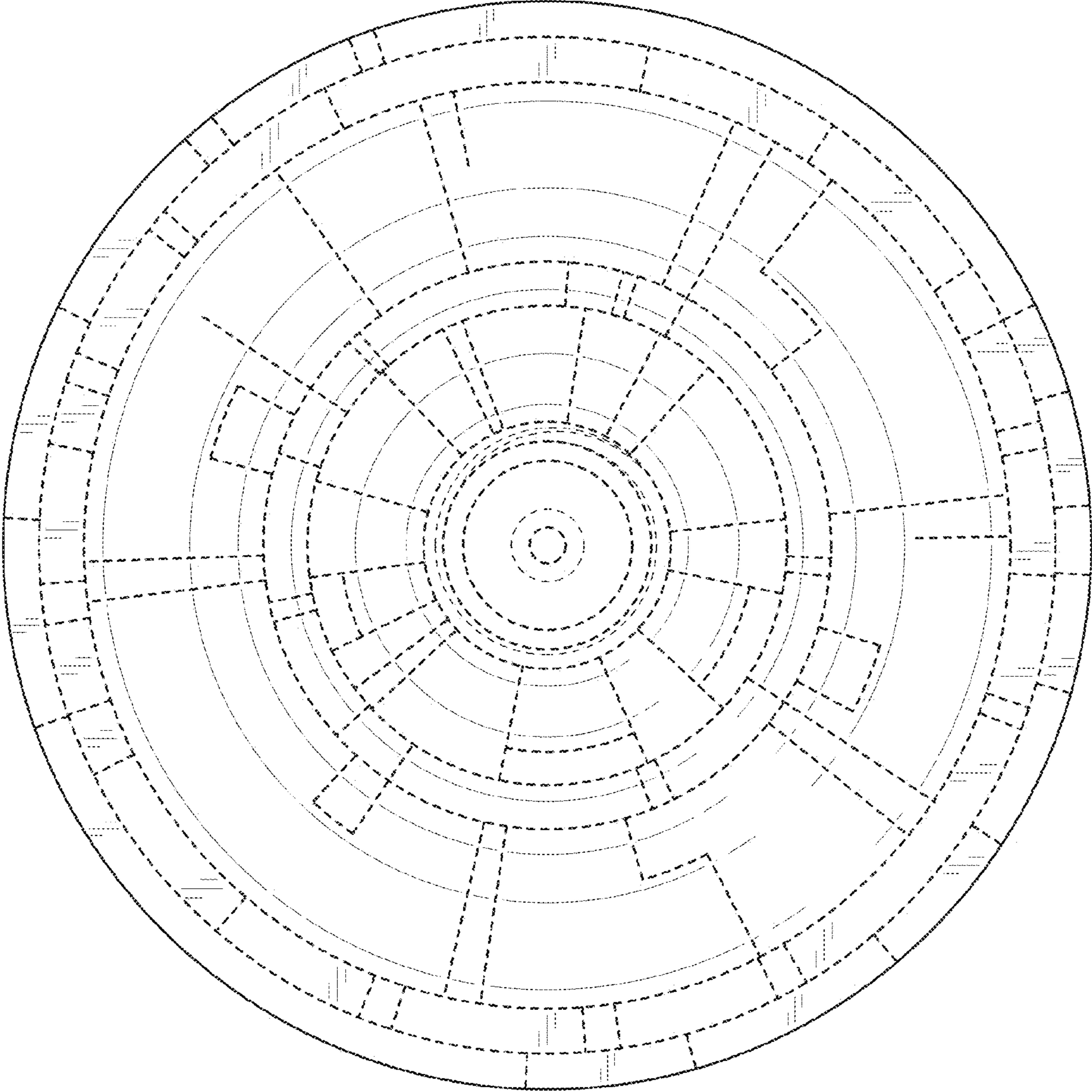


FIG. 7