



US00D907016S

(12) **United States Design Patent**
He et al.

(10) **Patent No.:** **US D907,016 S**

(45) **Date of Patent:** **** Jan. 5, 2021**

- (54) **ANTENNA MOUNTING FRAME**
- (71) Applicant: **Airgain Incorporated**, San Diego, CA (US)
- (72) Inventors: **Ziming He**, Irvine, CA (US); **Xiangjie Bian**, Zhang Jia Gang (CN); **Xiaowei Wu**, Zhang Jia Gang (CN)
- (73) Assignee: **Airgain, Inc.**, San Diego, CA (US)

D410,652 S *	6/1999	Jones	D14/238
D495,995 S *	9/2004	Moriyama	D13/133
7,014,475 B1 *	3/2006	Mongold	H01R 12/721 439/67
D548,739 S *	8/2007	Nakamura	D14/433
7,479,017 B1 *	1/2009	Koopman	H01R 13/6658 439/67
D640,635 S *	6/2011	Ngo	D13/147
D717,803 S *	11/2014	Takano	D14/433
D730,156 S *	5/2015	Johnson	D8/349
D807,865 S *	1/2018	He	D14/238

(**) Term: **15 Years**

* cited by examiner

(21) Appl. No.: **29/633,427**

Primary Examiner — George D. Kirschbaum

Assistant Examiner — Joseph J Kukella

(22) Filed: **Jan. 13, 2018**

(74) *Attorney, Agent, or Firm* — Clause Eight IPS;

Michael Catania

Related U.S. Application Data

(62) Division of application No. 29/535,556, filed on Aug. 7, 2015, now Pat. No. Des. 807,865.

(51) **LOC (13) Cl.** **14-03**

(52) **U.S. Cl.**
USPC **D14/238**

(58) **Field of Classification Search**
USPC D10/46, 103; D14/217, 230, 238, 299
CPC H01Q 1/12; H01Q 1/125; H01Q 1/20;
H01Q 1/22; H01Q 1/42; H01Q 1/44;
H01Q 1/50
See application file for complete search history.

(57) **CLAIM**

The ornamental design for an antenna mounting frame, as shown and described.

(56) **References Cited**

U.S. PATENT DOCUMENTS

D316,078 S *	4/1991	Moriai	D13/133
D400,865 S *	11/1998	Korhonen	D13/173

DESCRIPTION

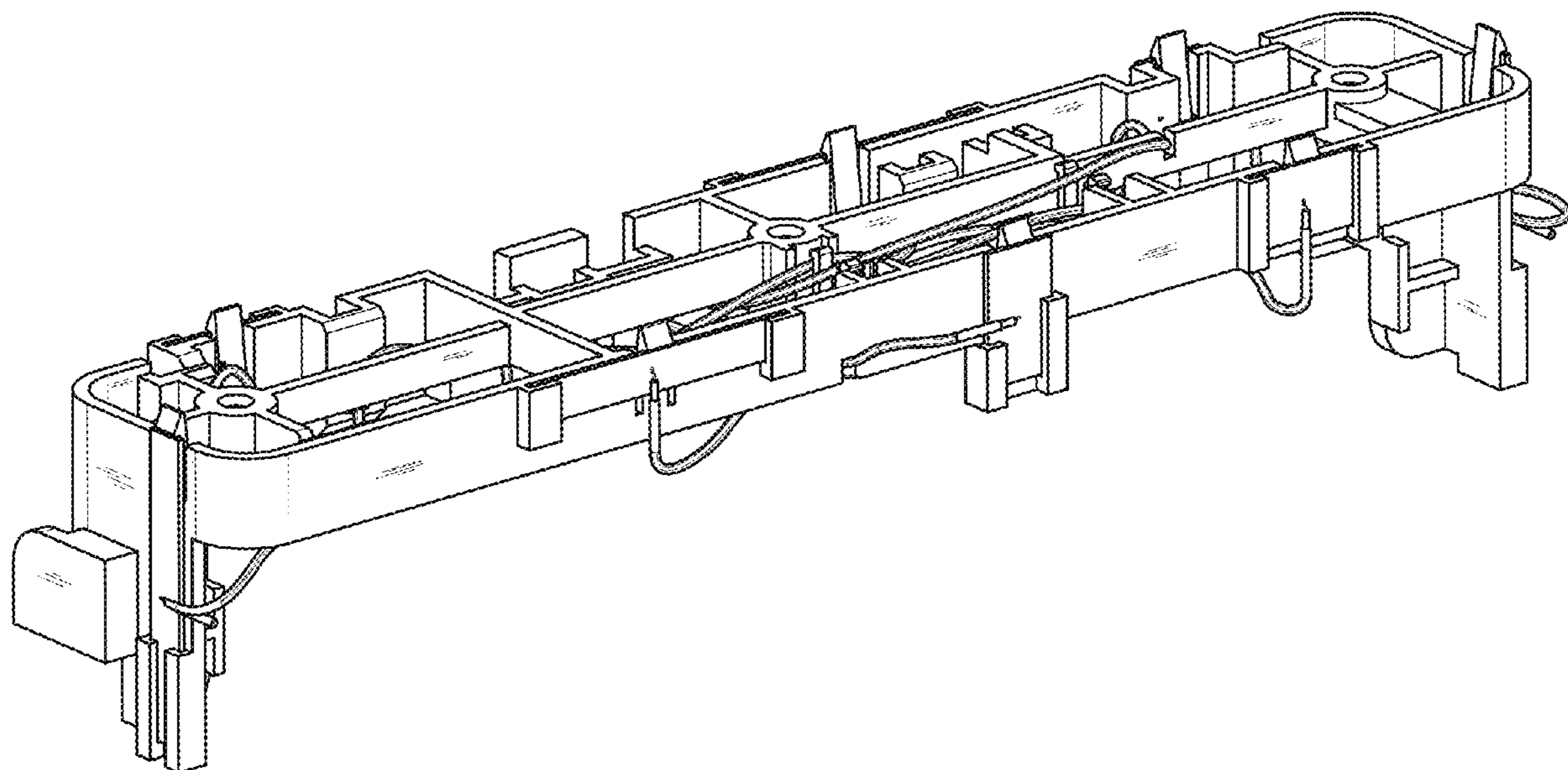
FIG. 1 is a front elevation view of a preferred embodiment of an antenna mounting frame.

FIG. 2 is a side elevation view of the antenna mounting frame of FIG. 1.

FIG. 3 is a top plan view of the antenna mounting frame of FIG. 1; and,

FIG. 4 is a top perspective view of the antenna mounting frame of FIG. 1.

1 Claim, 4 Drawing Sheets



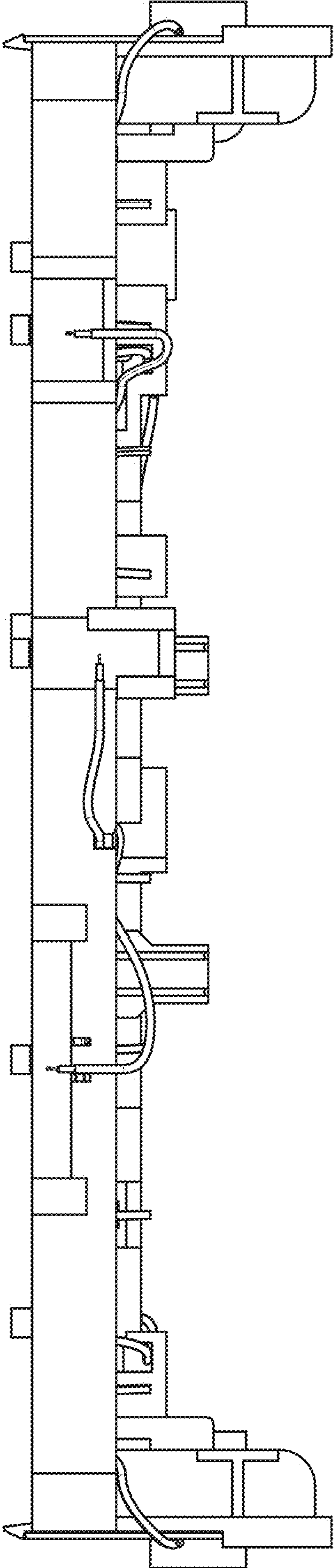


FIG. 1

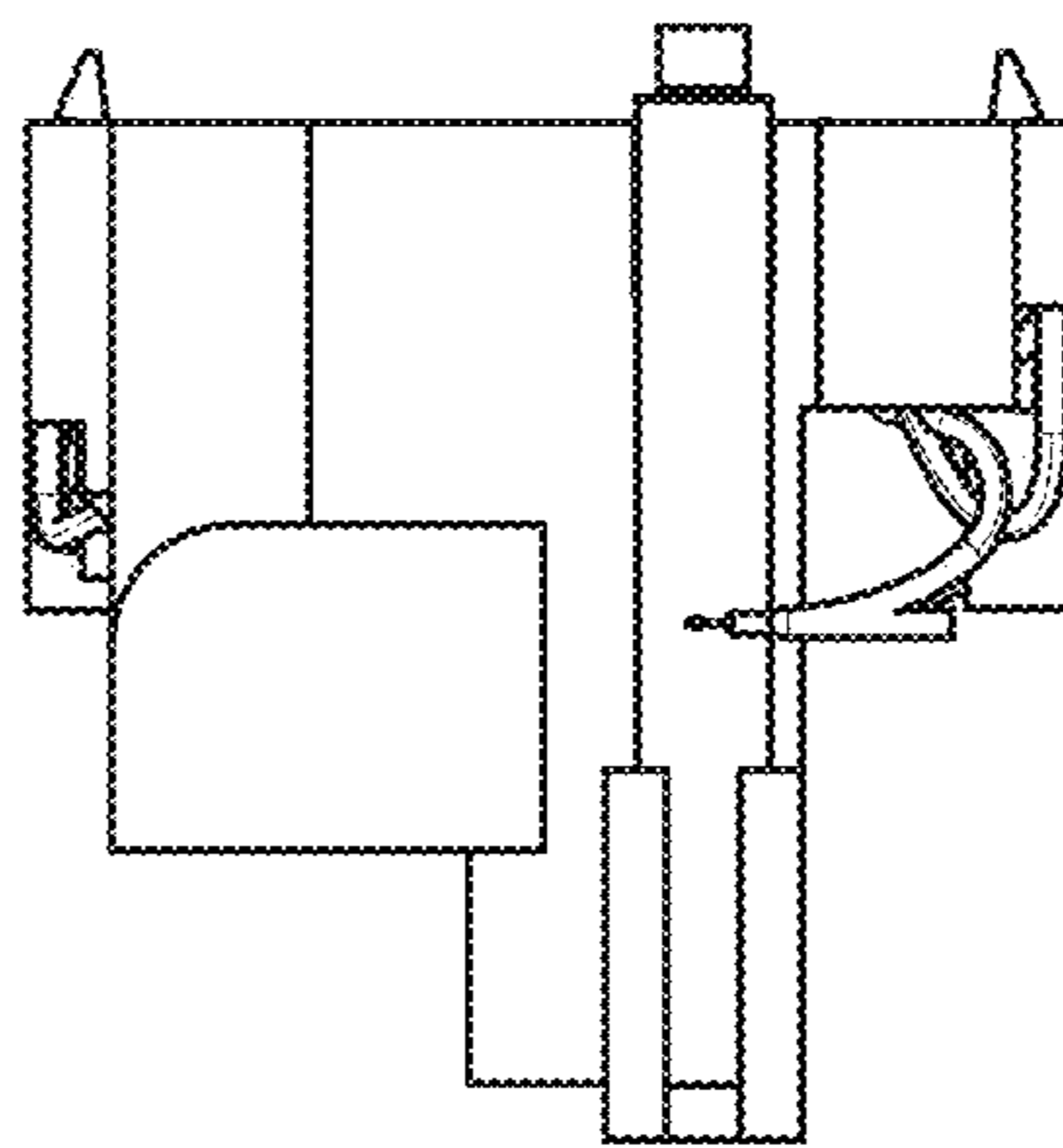


FIG. 2

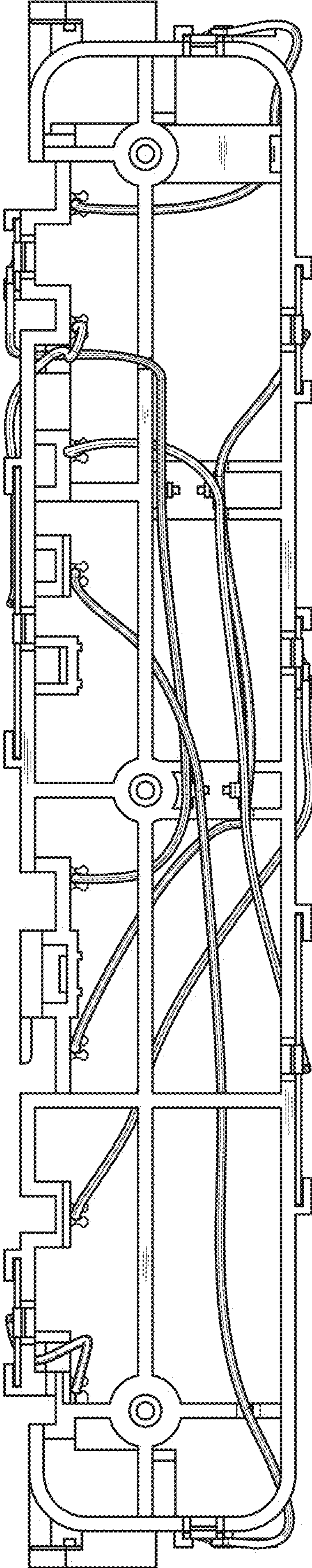


FIG. 3

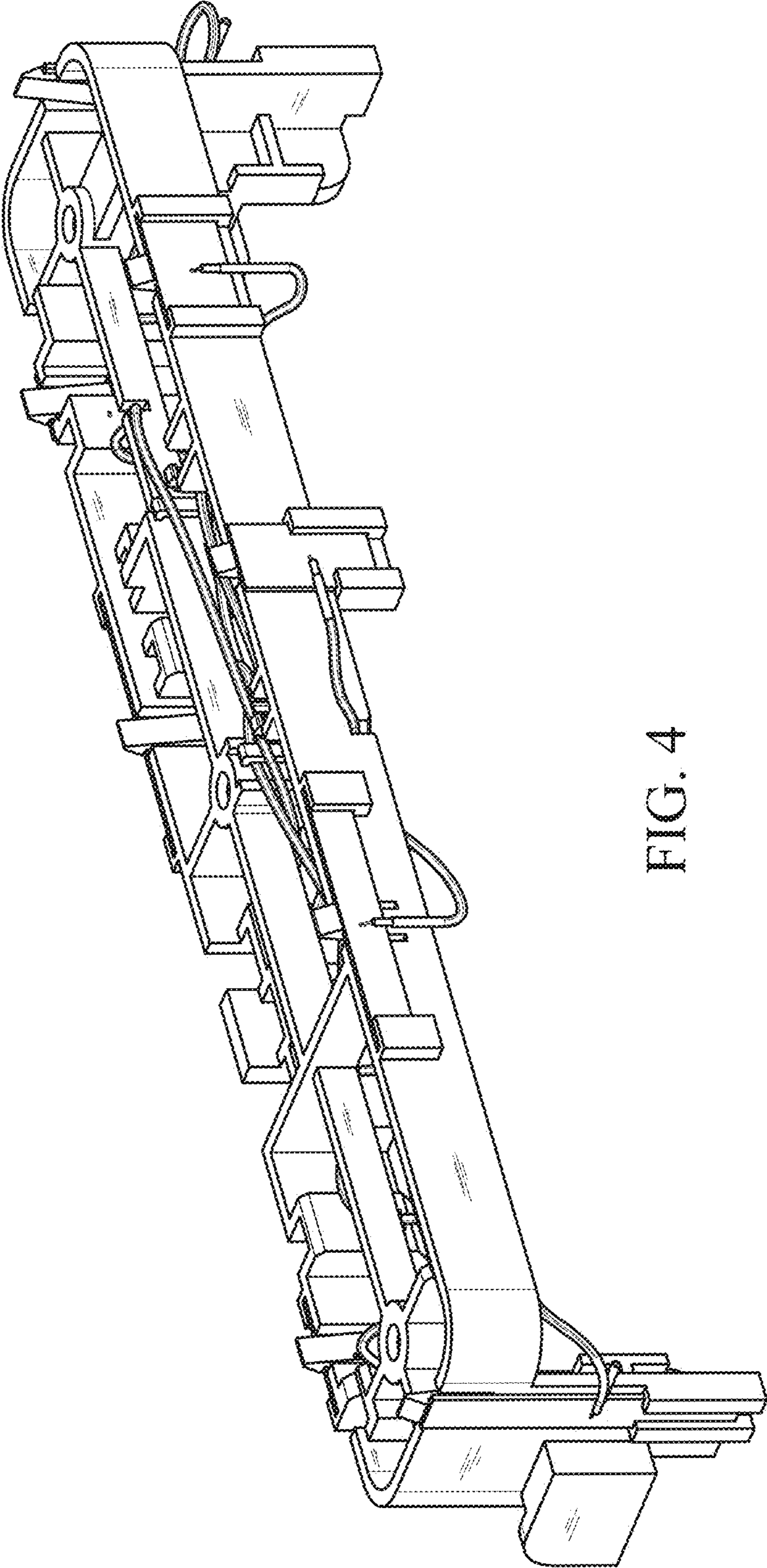


FIG. 4