



US00D907014S

(12) **United States Design Patent**
Plenge

(10) **Patent No.:** **US D907,014 S**

(45) **Date of Patent:** **** Jan. 5, 2021**

(54) **MICROPHONE**

(71) Applicant: **G.R.A.S. Sound & Vibration A/S,**
Holte (DK)

(72) Inventor: **Gert Plenge,** Olstykke (DK)

(73) Assignee: **G.R.A.S. Sound & Vibration A/S,**
Holte (DK)

(**) Term: **15 Years**

(21) Appl. No.: **29/691,269**

(22) Filed: **May 15, 2019**

(30) **Foreign Application Priority Data**

Nov. 19, 2018 (EM) 005827854-0001

(51) **LOC (13) Cl.** **14-01**

(52) **U.S. Cl.**
USPC **D14/228**

(58) **Field of Classification Search**

USPC D14/224-229; D16/244; D17/99;
D6/681; 248/125.1, 166, 185.1;
381/355, 359, 361-363, 365, 366, 369,
381/375; 379/428.01, 428.04, 431,
379/433.03
CPC . H04R 25/00; H04R 1/02; H04R 5/02; H04R
9/08; F16M 11/38; F16M 13/00; F16M
11/00

See application file for complete search history.

(56) **References Cited**

U.S. PATENT DOCUMENTS

D278,625 S * 4/1985 Mathiasen D14/228
D435,037 S * 12/2000 Liu D14/228

D475,699 S * 6/2003 Thornton D14/228
6,597,796 B2 * 7/2003 Chang H04R 1/08
338/178
6,968,070 B1 * 11/2005 Chiang H04R 1/08
381/355
D585,434 S * 1/2009 Ganley D14/225
D589,033 S * 3/2009 Thusbass D14/228
D598,011 S * 8/2009 Thusbass D14/225
D818,995 S * 5/2018 Cho D14/228
D846,783 S * 4/2019 Eichelberger D26/49
D860,493 S * 9/2019 Qiu D26/49
D865,250 S * 10/2019 Qiu D26/49
D878,651 S * 3/2020 Qiu D26/49

* cited by examiner

Primary Examiner — Katie Jane Stofko

(74) *Attorney, Agent, or Firm* — Merchant & Gould P.C.

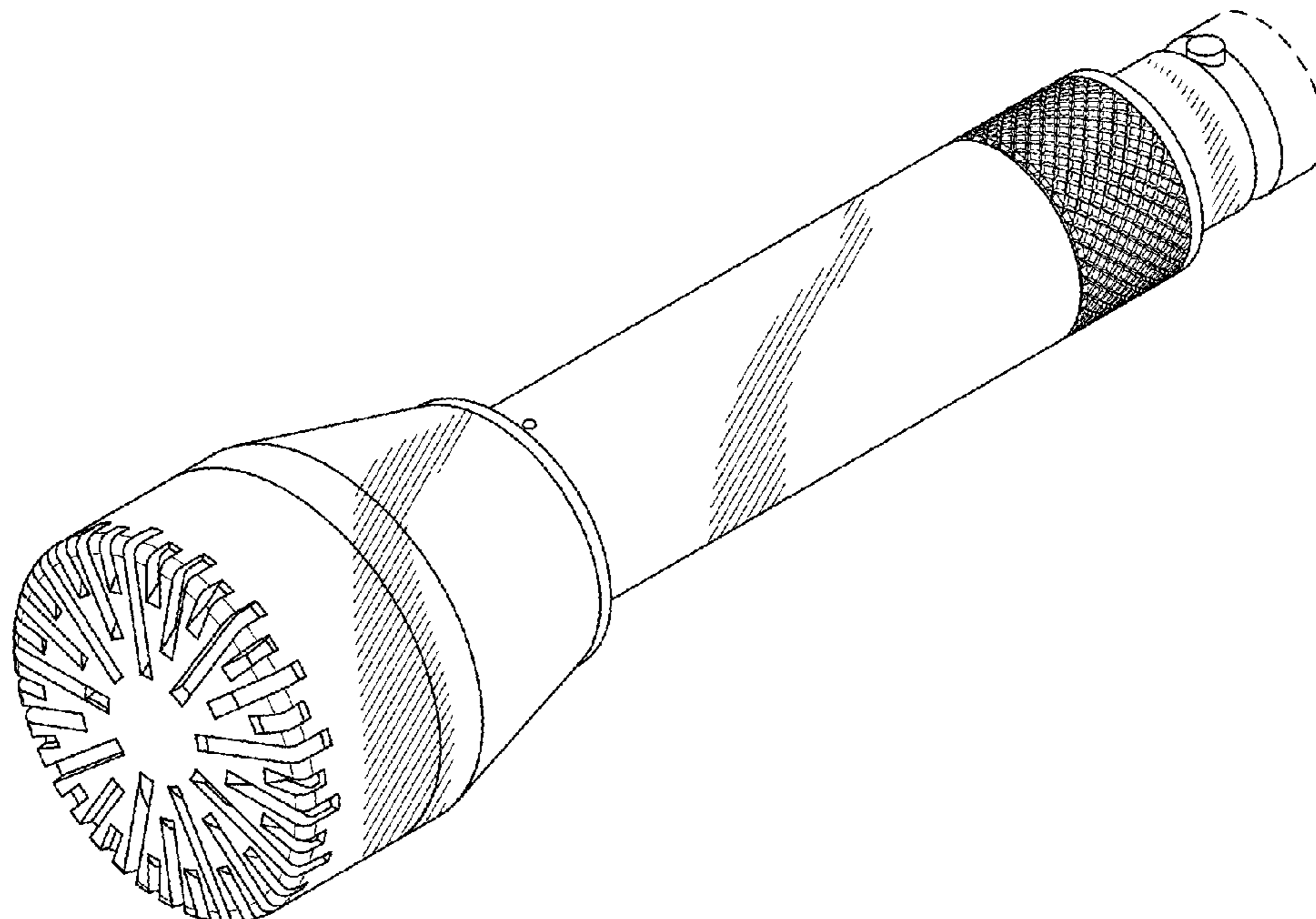
(57) **CLAIM**

The ornamental design for a microphone, as shown and described.

DESCRIPTION

FIG. 1 is a front view of a microphone showing my new design;
FIG. 2 is a left side view thereof;
FIG. 3 is a back view thereof;
FIG. 4 is a right side view thereof;
FIG. 5 is a perspective view thereof;
FIG. 6 is a top view thereof; and,
FIG. 7 is a bottom view thereof.
The broken lines shown in FIGS. 1-5 and 7 illustrate portions of the microphone that form no part of the claimed design.

1 Claim, 7 Drawing Sheets



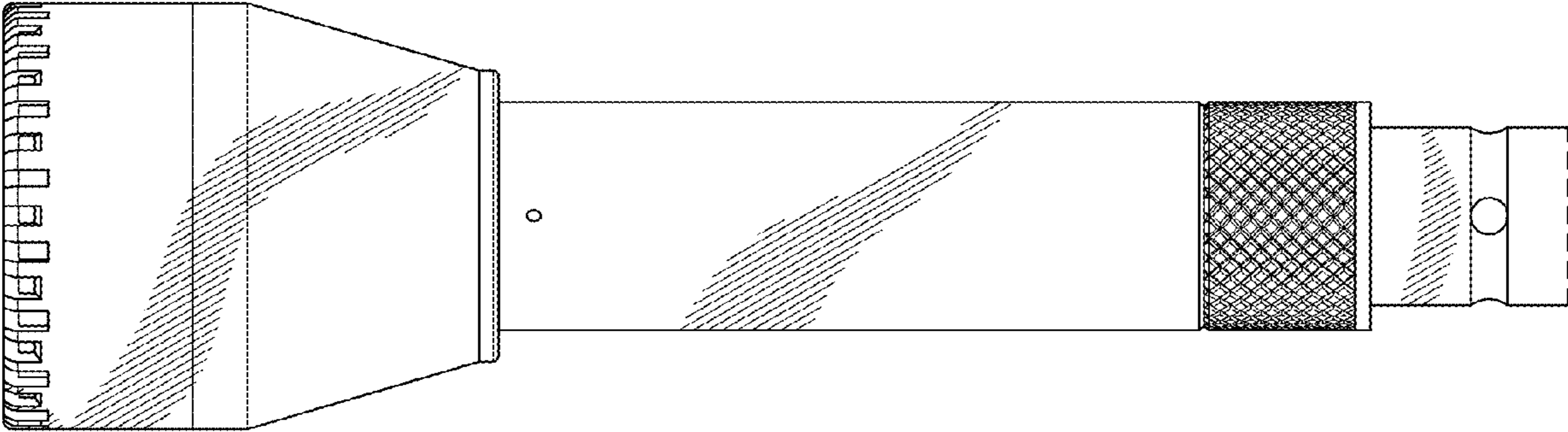


FIG. 1

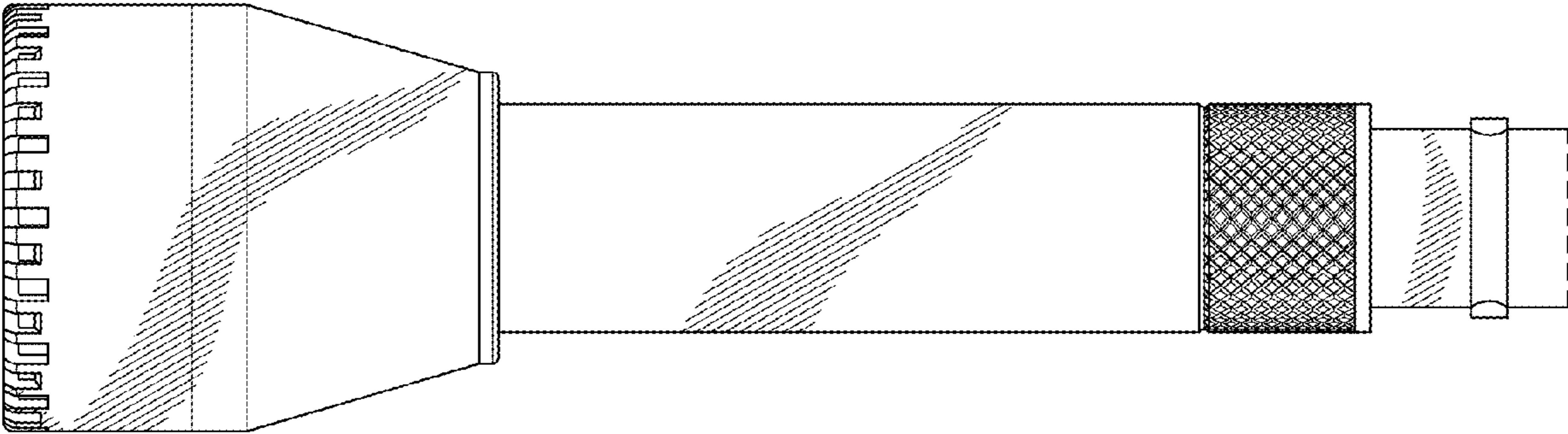


FIG. 2

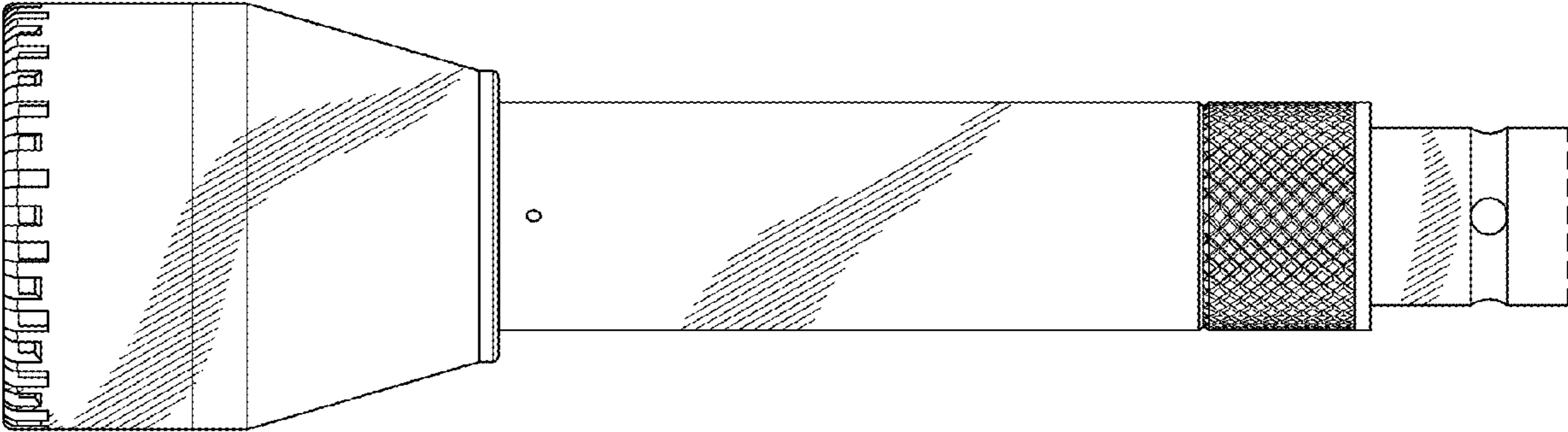


FIG. 3

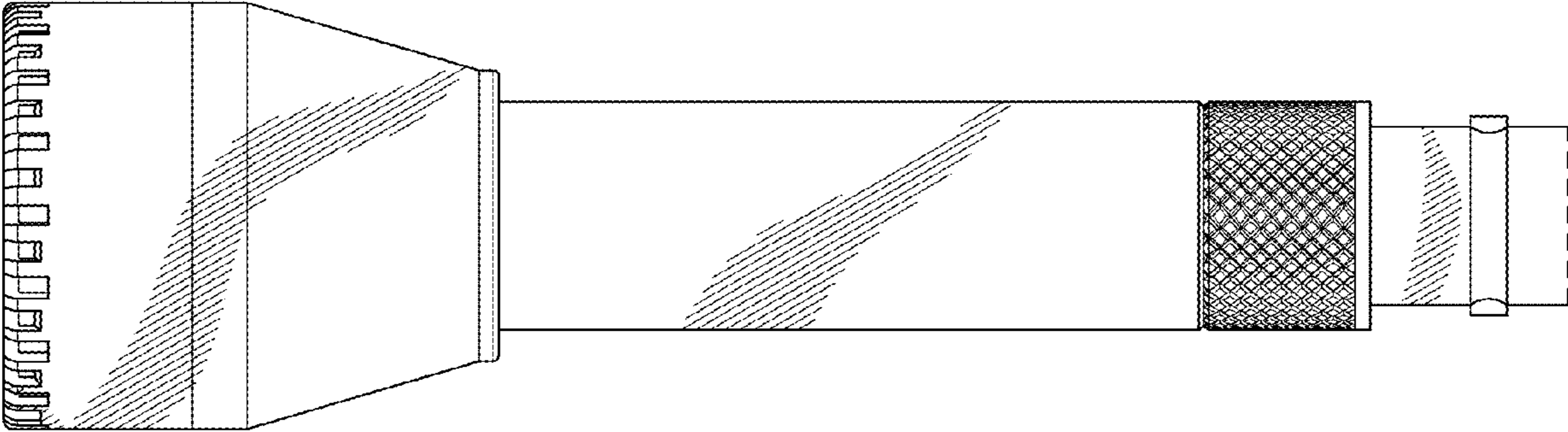


FIG. 4

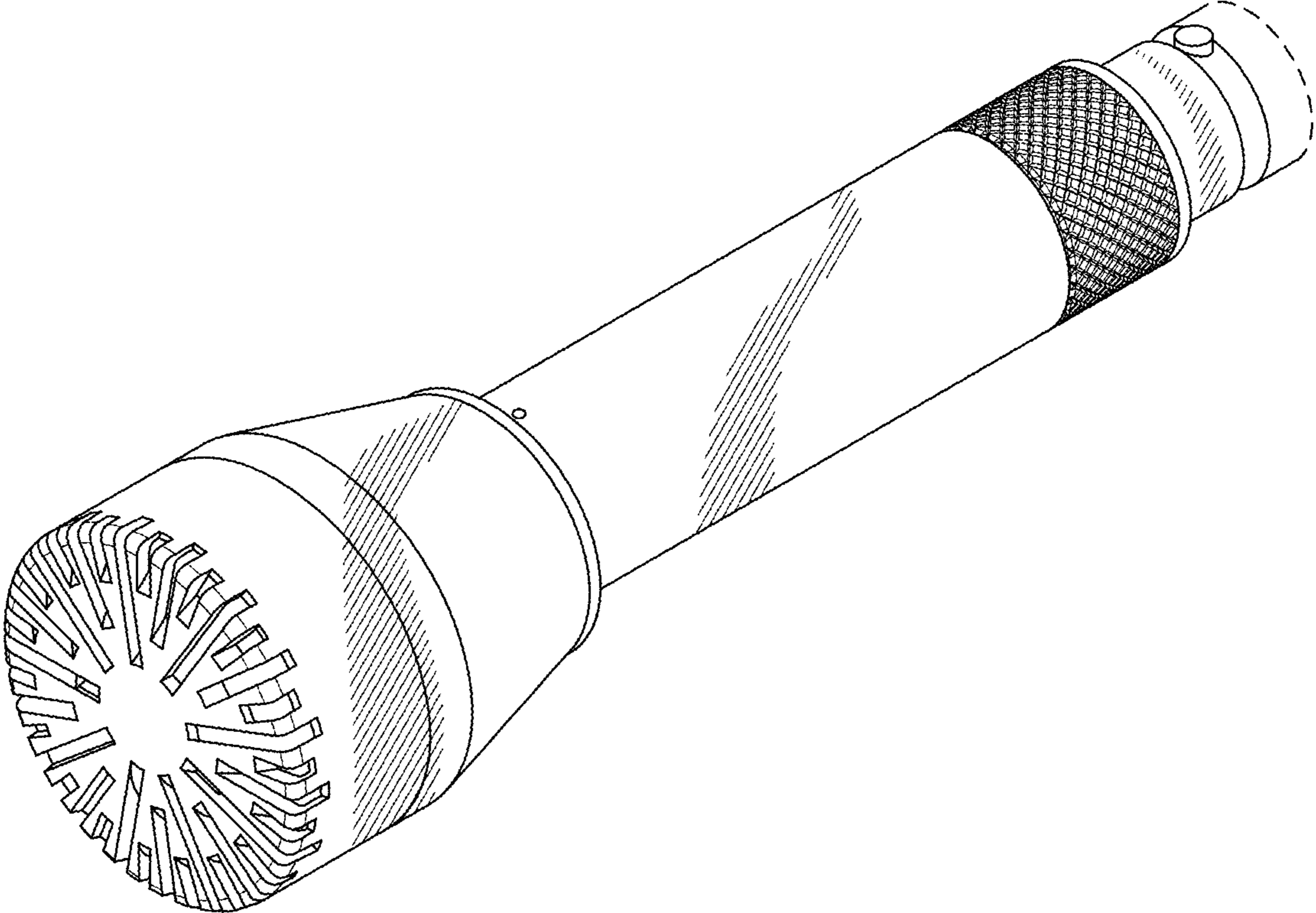


FIG. 5

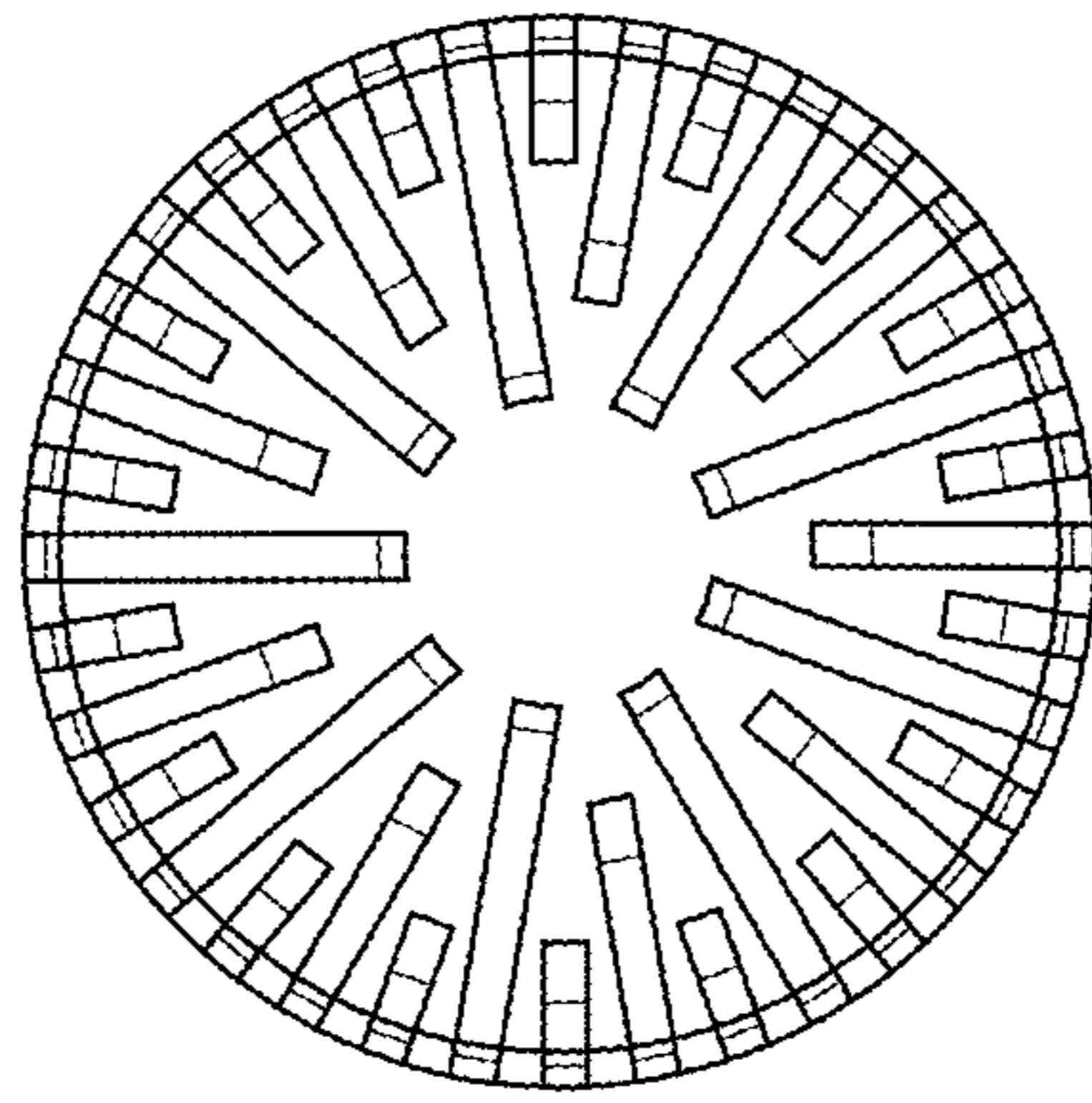


FIG. 6

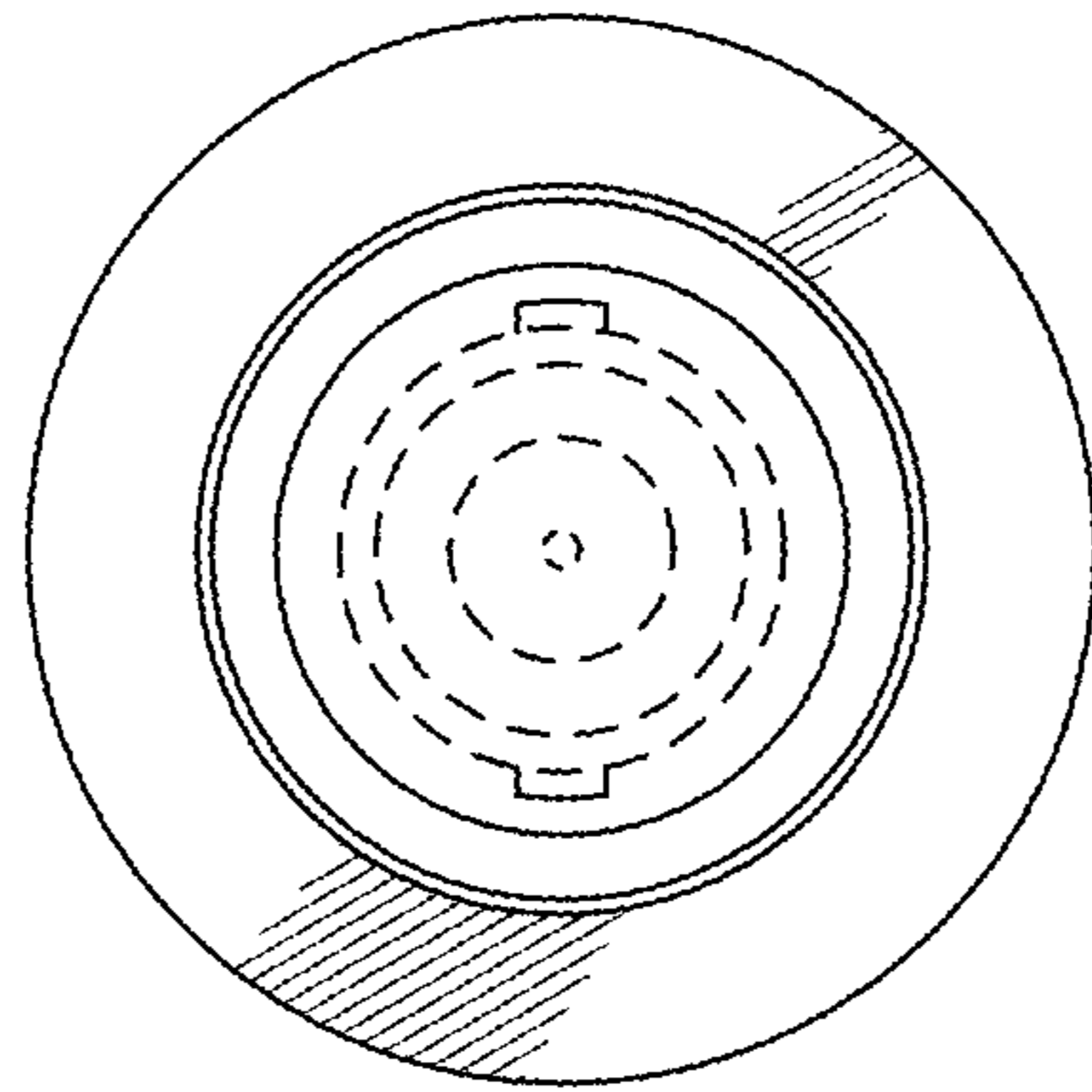


FIG. 7