



US00D907011S

(12) **United States Design Patent**
Liu

(10) **Patent No.:** **US D907,011 S**

(45) **Date of Patent:** **** Jan. 5, 2021**

(54) **EARPHONES**

(71) Applicant: **SHENZHEN SHENGYUANSHENG TECHNOLOGY CO., LTD.**, Shenzhen (CN)

(72) Inventor: **Peijun Liu**, Shenzhen (CN)

(73) Assignee: **SHENZHEN SHENGYUANSHENG TECHNOLOGY CO., LTD.**, Shenzhen (CN)

(**) Term: **15 Years**

(21) Appl. No.: **29/741,806**

(22) Filed: **Jul. 15, 2020**

(51) **LOC (13) Cl.** **14-01**

(52) **U.S. Cl.**
USPC **D14/223**

(58) **Field of Classification Search**
USPC D14/223, 205, 188, 192, 218; D24/174;
128/864-866; 381/380, 381, 328, 322;
455/90.3, 575.1, 569.1
CPC H04R 1/10; H04R 1/1016; H04R 1/1066;
H04R 5/033; H04R 5/0335; H04R
1/1091; H04R 1/1058; H04R 1/105;
H04R 1/1083

See application file for complete search history.

(56) **References Cited**

U.S. PATENT DOCUMENTS

D351,828 S *	10/1994	Pucci	D13/168
D357,201 S *	4/1995	Novack	D10/104.1
D385,541 S *	10/1997	Taylor	D13/168
D427,994 S *	7/2000	Pirelli	D14/223
D441,185 S *	5/2001	Shimizu	D13/168
D457,513 S *	5/2002	Pirelli	D14/223
D471,889 S *	3/2003	Rath	D14/205
D471,898 S *	3/2003	Bae	D14/205
D473,217 S *	4/2003	Rivera	D14/223
D478,893 S *	8/2003	Corander	D14/138 R

D479,834 S *	9/2003	Salazar	D14/205
D496,653 S *	9/2004	Townsend	D14/240
D502,171 S *	2/2005	Tang	D14/205
6,868,284 B2 *	3/2005	Bae	H04M 1/05 379/428.02
D504,884 S *	5/2005	Hering	D14/206
D509,199 S *	9/2005	Haase	D14/137
D509,210 S *	9/2005	Skulley	D14/205
D512,049 S *	11/2005	Yang	D14/205

(Continued)

FOREIGN PATENT DOCUMENTS

EM	008188395-0001	*	9/2020
JP	D1352157	*	1/2009
JP	D1452579	*	9/2012

Primary Examiner — Paula Allen Greene

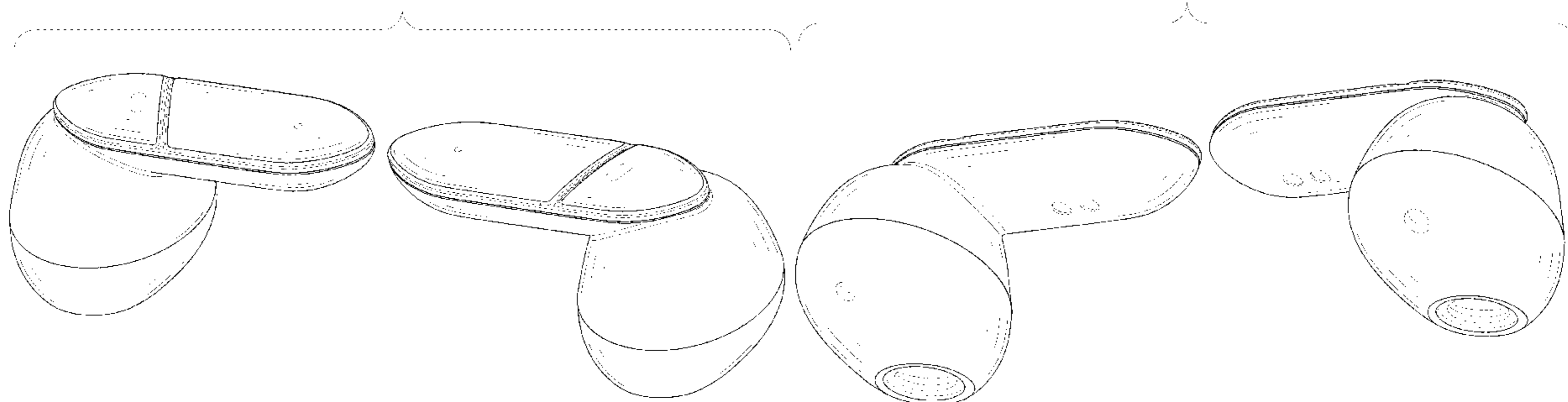
(57) **CLAIM**

The ornamental design for earphones, as shown and described.

DESCRIPTION

FIG. 1 is a perspective view of earphones showing my new design;
 FIG. 2 is another perspective view thereof;
 FIG. 3 is a front elevational view thereof;
 FIG. 4 is a rear elevational view thereof;
 FIG. 5 is a left side elevational view thereof;
 FIG. 6 is a right side elevational view thereof;
 FIG. 7 is a top plan view thereof;
 FIG. 8 is a bottom plan view thereof;
 FIG. 9 is a perspective view of earphones where the earphones are received in a case and the case is in an open position; and,
 FIG. 10 is a perspective view of earphones where the earphones are received in the case and the case is in an open position.
 The broken lines in the drawings depict portions of the earphones that form no part of the claimed design.

1 Claim, 10 Drawing Sheets



(56)

References Cited

U.S. PATENT DOCUMENTS

7,079,664 B2 * 7/2006 Nassimi H04R 25/558
 381/328
 D533,540 S * 12/2006 Murray D14/205
 D555,150 S * 11/2007 Christopher D14/223
 D566,103 S * 4/2008 Sade D14/223
 D575,277 S * 8/2008 Gaarde D14/205
 D579,924 S * 11/2008 Sade D14/223
 D581,396 S * 11/2008 Wikel D14/206
 D583,804 S * 12/2008 Mahler D14/223
 D585,431 S * 1/2009 Bradford D14/205
 D595,698 S * 7/2009 Guccione D14/223
 D597,084 S * 7/2009 Gondo D14/223
 D600,228 S * 9/2009 Finney D14/138 AC
 D602,007 S * 10/2009 Lee D14/223
 D603,378 S * 11/2009 Paradise D14/223
 D604,722 S * 11/2009 Mistry D14/223
 D632,674 S * 2/2011 Behar D14/223
 D639,163 S * 6/2011 Gelardi D9/456
 D667,301 S * 9/2012 Jones D9/456
 8,270,915 B2 * 9/2012 Sanford H01Q 1/38
 455/90.3
 D671,531 S * 11/2012 Kim D14/223
 D673,531 S * 1/2013 Lee D14/223

D693,796 S * 11/2013 Birger D14/223
 8,611,578 B2 * 12/2013 Kim H02J 7/0044
 381/374
 9,301,037 B1 * 3/2016 Kalyvas H04M 1/6041
 D757,682 S * 5/2016 Perez D14/205
 D770,414 S * 11/2016 Davies D14/215
 D772,203 S * 11/2016 Zeng D14/223
 D801,950 S * 11/2017 Otani D14/223
 D803,184 S * 11/2017 Loh Jun Kern D14/205
 D860,974 S * 9/2019 Gordon D14/223
 D863,262 S * 10/2019 Roberts D14/223
 D864,165 S * 10/2019 Roberts D14/223
 D869,445 S * 12/2019 Hu D14/223
 D878,337 S * 3/2020 Yang D14/223
 D882,553 S * 4/2020 Wu
 D883,258 S * 5/2020 Wu D14/223
 D883,960 S * 5/2020 Du
 D885,373 S * 5/2020 Lundback D14/223
 D895,582 S * 9/2020 Wu D14/223
 D897,997 S * 10/2020 Zhang D14/223
 2007/0116319 A1 * 5/2007 Hagberg H04R 1/1016
 381/380
 2009/0266837 A1 * 10/2009 Gelardi B65D 50/046
 221/154
 2009/0304220 A1 * 12/2009 Fujikura H04R 1/1091
 381/380

* cited by examiner

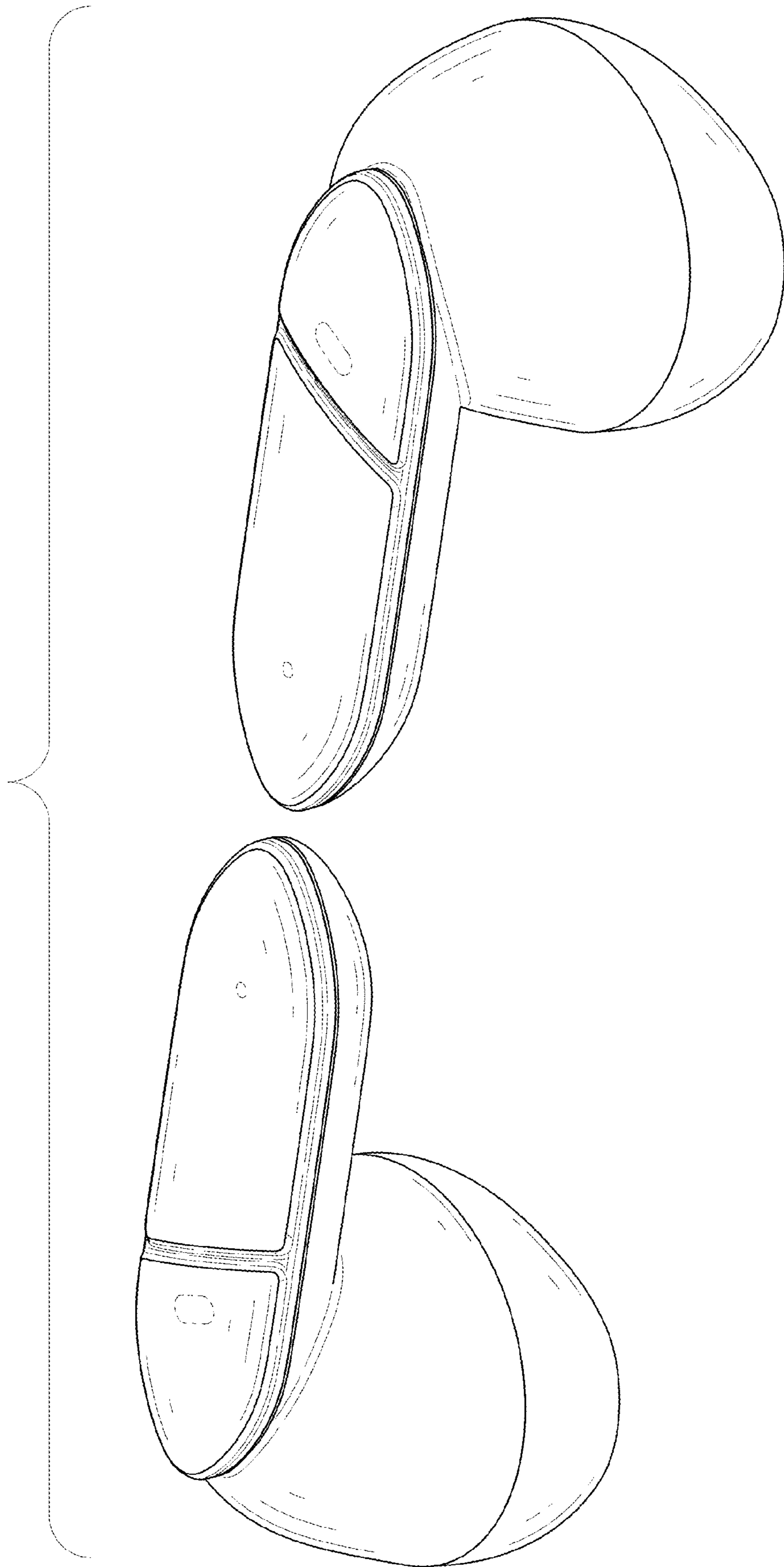


FIG. 1

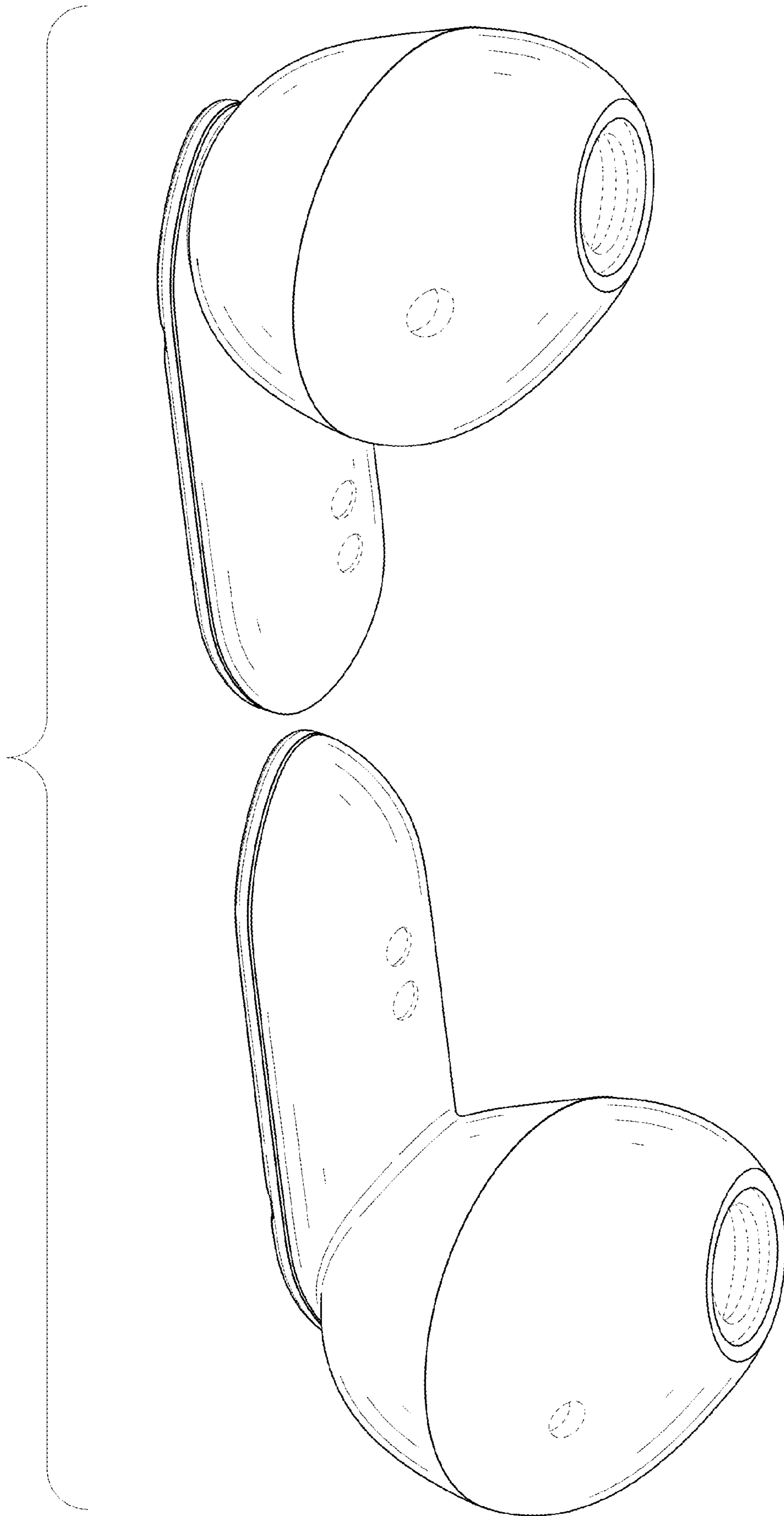


FIG. 2

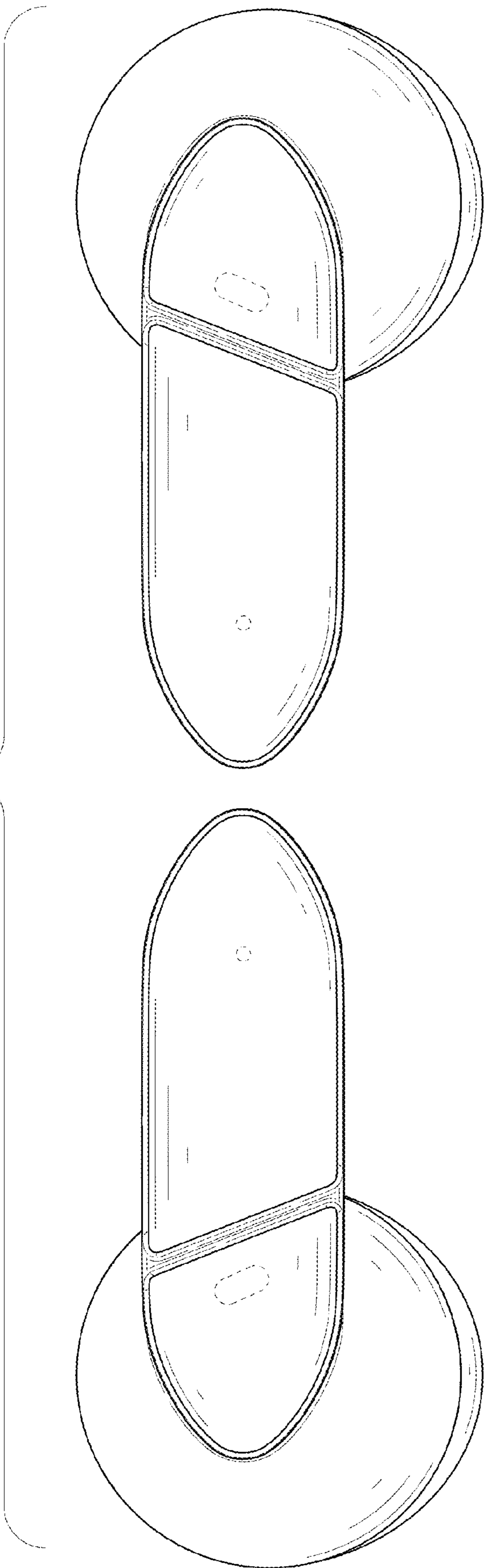


FIG. 3

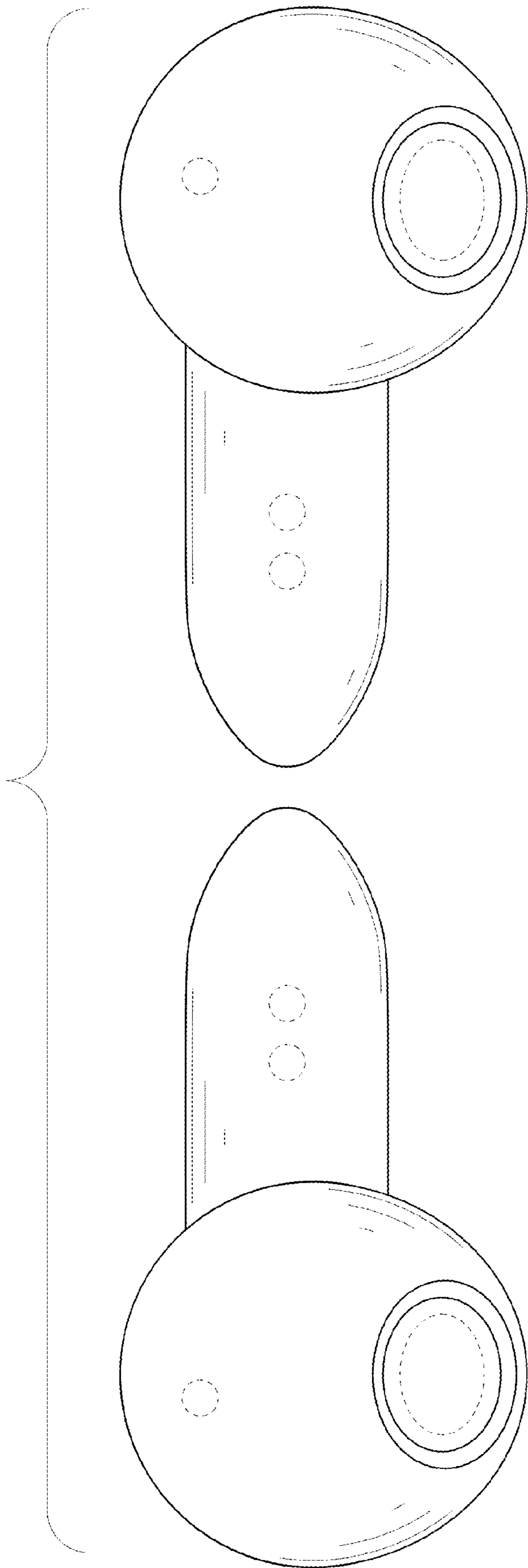


FIG. 4

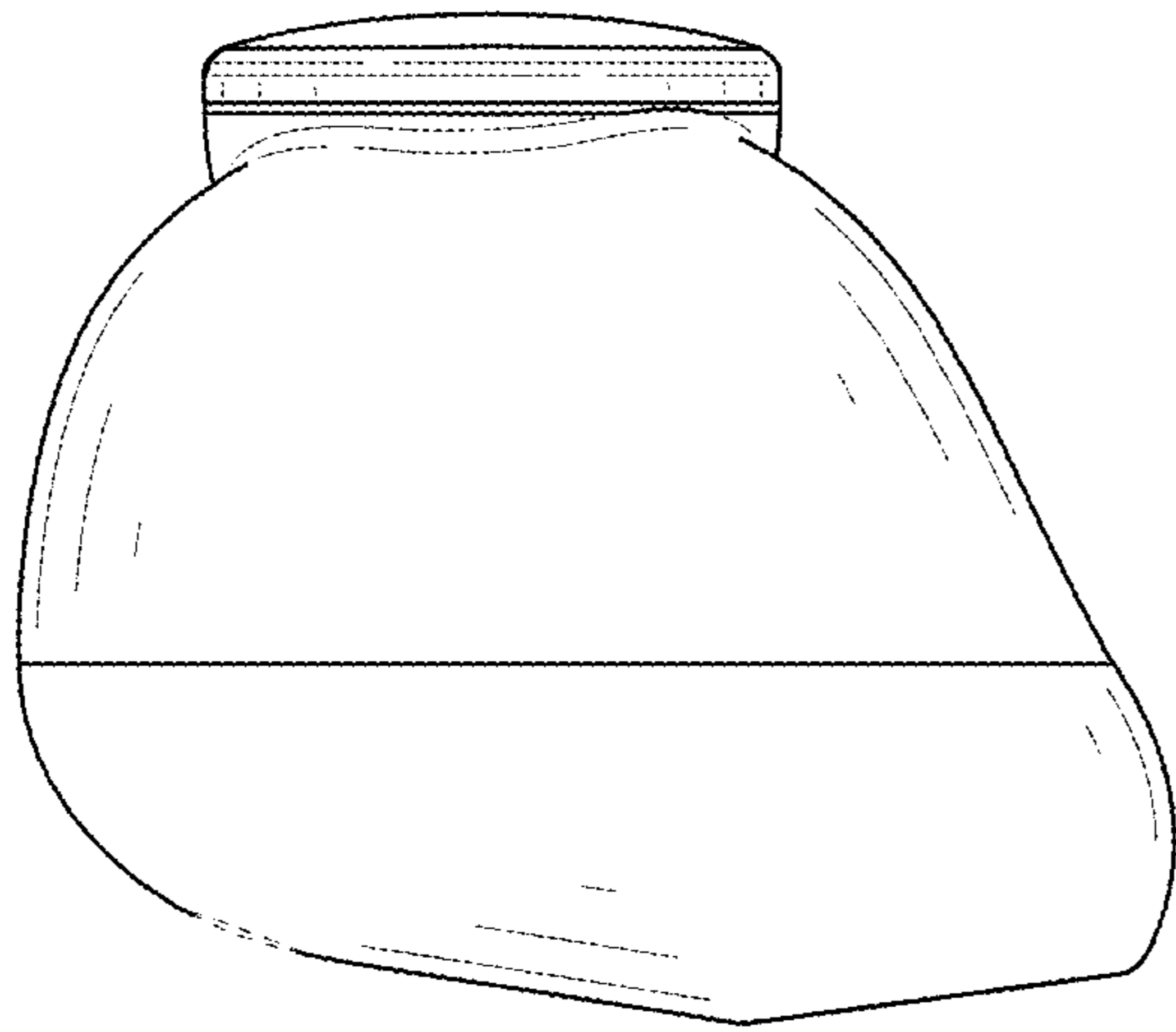


FIG. 5

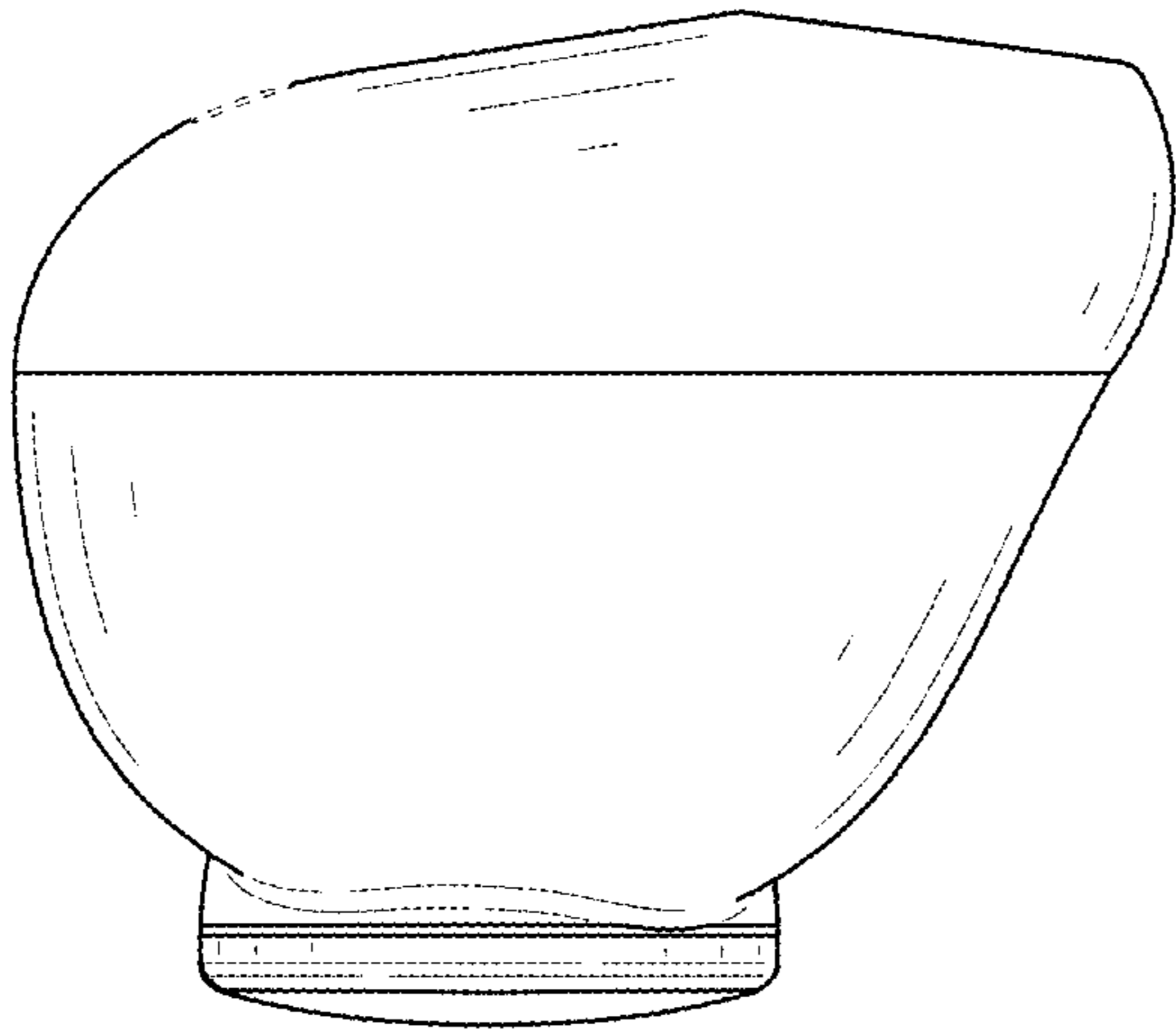


FIG. 6

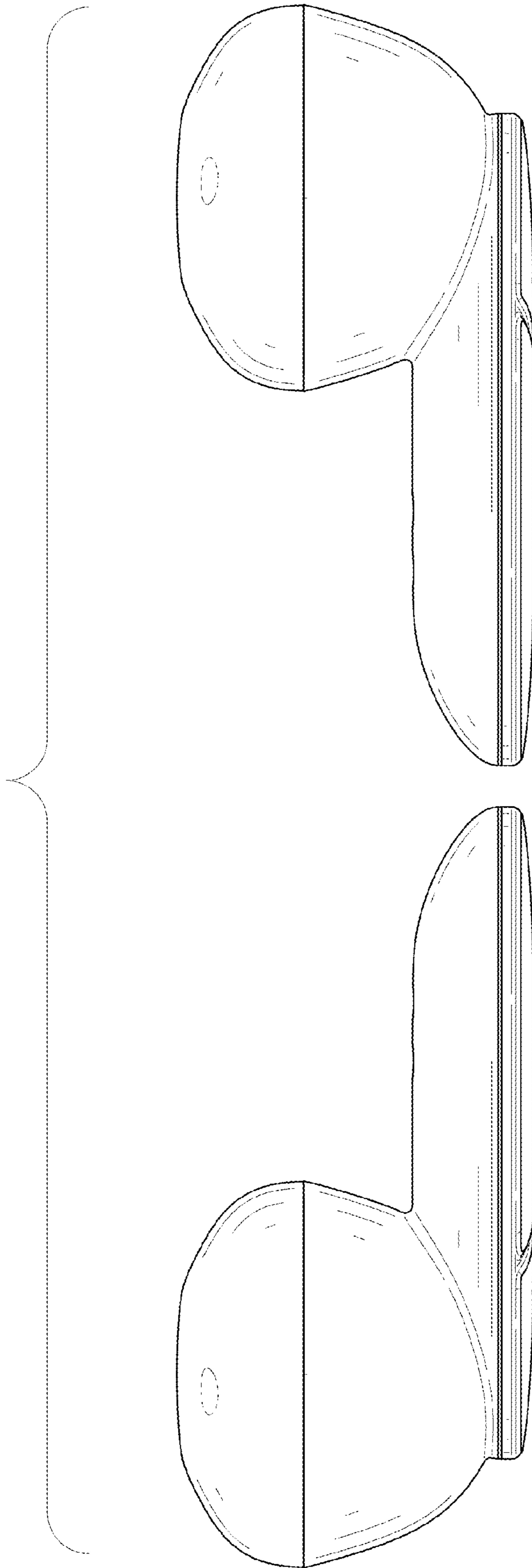


FIG. 7

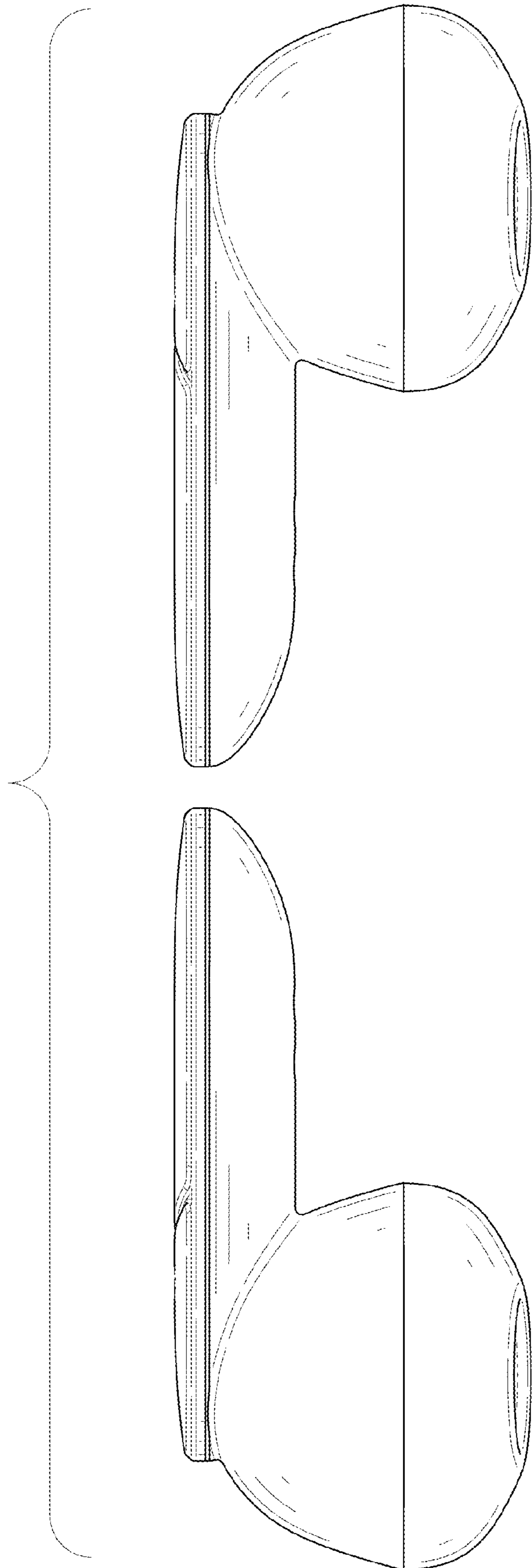


FIG. 8

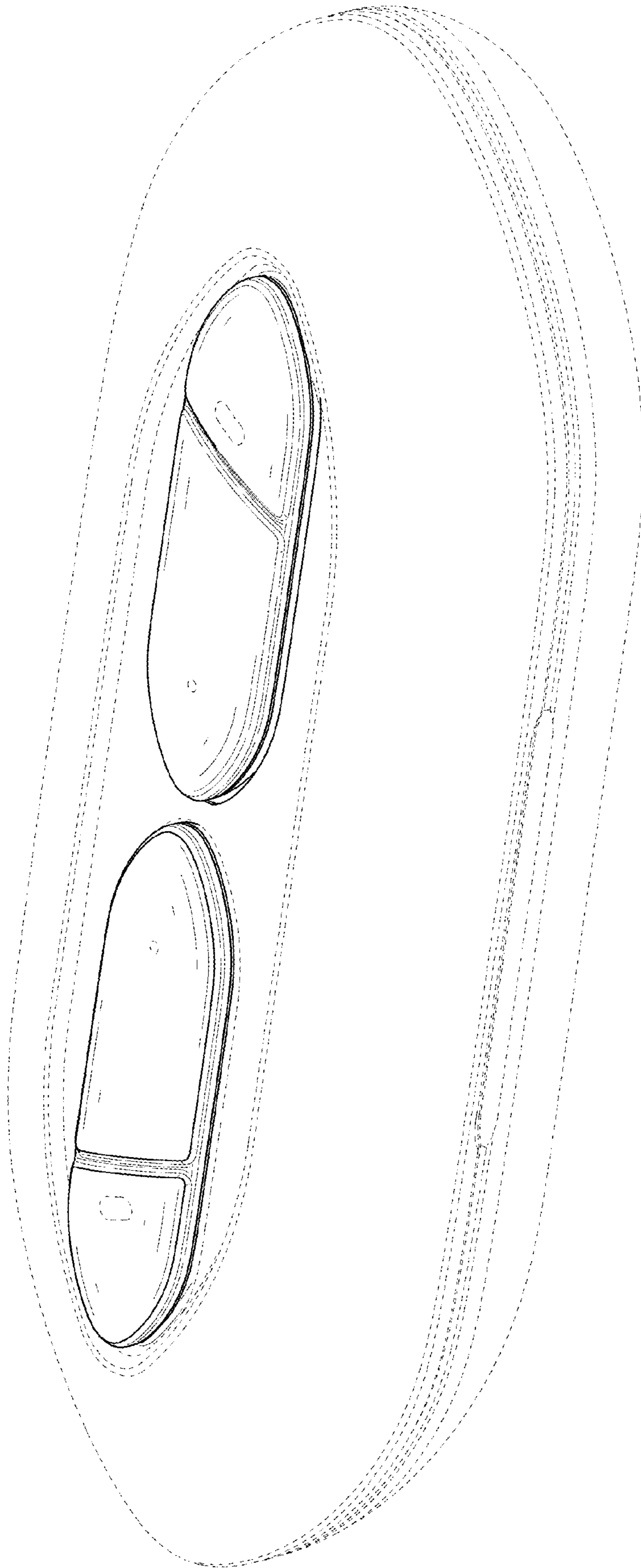


FIG. 9

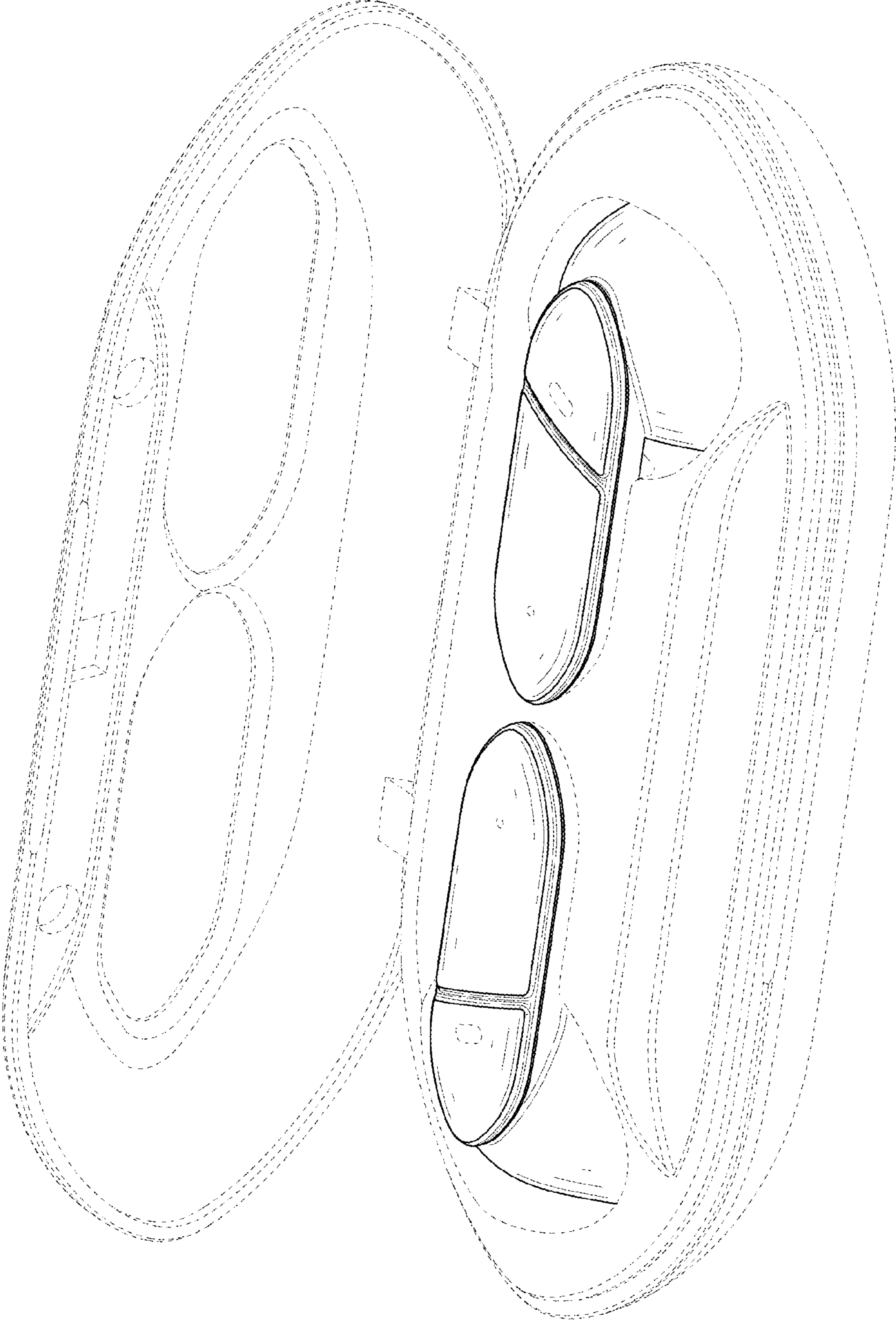


FIG. 10