



US00D907009S

(12) **United States Design Patent** (10) **Patent No.:** **US D907,009 S**
Akana et al. (45) **Date of Patent:** **** Jan. 5, 2021**

(54) **CASE WITH EARPHONES**

(71) Applicant: **Apple Inc.**, Cupertino, CA (US)

(72) Inventors: **Jody Akana**, San Francisco, CA (US); **Molly Anderson**, San Francisco, CA (US); **Bartley K. Andre**, Palo Alto, CA (US); **Shota Aoyagi**, San Francisco, CA (US); **Anthony Michael Ashcroft**, San Francisco, CA (US); **Marine C. Bataille**, San Francisco, CA (US); **Jeremy Bataillou**, San Francisco, CA (US); **Markus Diebel**, San Francisco, CA (US); **M. Evans Hankey**, San Francisco, CA (US); **Julian Hoenig**, San Francisco, CA (US); **Richard P. Howarth**, San Francisco, CA (US); **Jonathan P. Ive**, San Francisco, CA (US); **Julian Jaede**, San Francisco, CA (US); **Duncan Robert Kerr**, San Francisco, CA (US); **Peter Russell-Clarke**, San Francisco, CA (US); **Benjamin Andrew Shaffer**, San Jose, CA (US); **Sung-Ho Tan**, San Francisco, CA (US); **Clement Tissandier**, San Francisco, CA (US); **Eugene Antony Whang**, San Francisco, CA (US); **Rico Zörkendörfer**, San Francisco, CA (US)

(73) Assignee: **Apple Inc.**, Cupertino, CA (US)

(**) Term: **15 Years**

(21) Appl. No.: **29/706,555**

(22) Filed: **Sep. 20, 2019**

(51) **LOC (13) Cl.** **14-01**

(52) **U.S. Cl.**
USPC **D14/223**

(58) **Field of Classification Search**
USPC D14/223, 205; D13/107, 108; D3/201, D3/294, 295; D9/423, 420, 627, 748,
(Continued)

(56) **References Cited**

U.S. PATENT DOCUMENTS

228,598 A 6/1880 Buckley
D49,217 S * 6/1916 King D3/265
(Continued)

FOREIGN PATENT DOCUMENTS

CN 301938367 S 5/2012
CN 302414771 S 4/2013
(Continued)

OTHER PUBLICATIONS

Amazon, "DUBS Noise Cancelling Music Ear Plugs", dated Nov. 26, 2014; (<https://www.amazon.com/DUBS-Noise-Cancelling-Music-Plugs/dp/B00NW1IZ5Q>).

(Continued)

Primary Examiner — Paula Allen Greene
(74) *Attorney, Agent, or Firm* — Steme, Kessler, Goldstein & Fox P.L.L.C.

(57) **CLAIM**

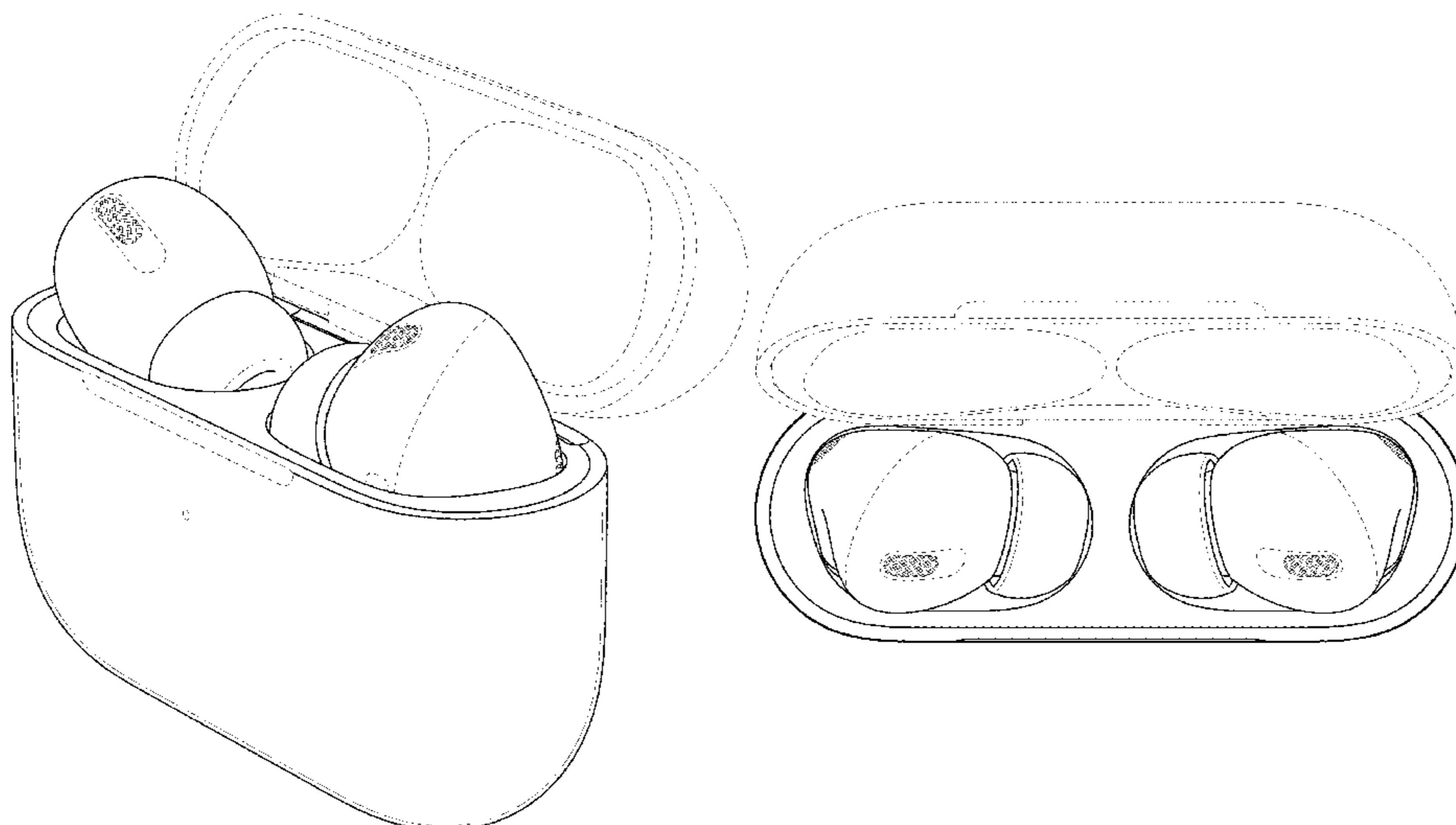
The ornamental design for a case with earphones, as shown and described.

DESCRIPTION

FIG. 1 is a front perspective view of a case with earphones showing the claimed design;
FIG. 2 is a front view thereof;
FIG. 3 is a rear view thereof;
FIG. 4 is a left side view thereof;
FIG. 5 is a right side view thereof;
FIG. 6 is a top view thereof; and,
FIG. 7 is a bottom view thereof.

The broken lines in the figures show portions of the case with earphones that form no part of the claimed design.

1 Claim, 6 Drawing Sheets



(58) **Field of Classification Search**

USPC D9/455, 426, 425; D28/76, 78, 83;
 206/702, 751, 495, 566, 573, 538, 38,
 206/320; 220/4.22, 4.24; 132/294, 295
 CPC H04R 1/10; H04R 25/00; H04R 25/02;
 H04R 1/1066; H04R 1/1016; B65D 5/00;
 B65D 43/168; B65D 43/24
 See application file for complete search history.

(56) **References Cited**

U.S. PATENT DOCUMENTS

3,246,815 A 4/1966 Philip et al.
 D245,818 S 9/1977 Persson
 D281,281 S 11/1985 Matalon
 D285,687 S 9/1986 Manock et al.
 D291,947 S 9/1987 Nakata
 D306,519 S 3/1990 Nakata
 D310,480 S 9/1990 Geiger
 D312,629 S 12/1990 Esslinger
 D322,752 S 12/1991 Zintzmeyer
 D339,215 S 9/1993 Spencer, Jr.
 D342,676 S 12/1993 Wuttke
 D349,644 S 8/1994 Miyairi
 D356,828 S 3/1995 Harris et al.
 D364,708 S 11/1995 Tarrson et al.
 D367,608 S 3/1996 Stranders
 D380,355 S 7/1997 Husted
 D399,604 S 10/1998 Wolff
 D404,201 S 1/1999 Wennerstrom
 D422,139 S 4/2000 Meikle
 D426,950 S 6/2000 Conway
 D427,424 S 7/2000 Conway
 D436,434 S 1/2001 Conway
 D463,907 S 10/2002 Lemoine
 D464,941 S 10/2002 Latta et al.
 D467,799 S * 12/2002 Persson D9/420
 D475,282 S 6/2003 Snaith et al.
 D478,546 S 8/2003 Andre et al.
 D479,823 S 9/2003 Andre et al.
 D482,618 S 11/2003 Cummings
 D493,257 S 7/2004 McCorkindale
 D505,068 S 5/2005 Cunningham et al.
 D506,744 S * 6/2005 Andre et al. D14/205
 D510,029 S 9/2005 Marcot
 D528,012 S 9/2006 Snyder
 D532,695 S 11/2006 Grant
 D540,313 S 4/2007 Rausch et al.
 D541,173 S 4/2007 Karussi et al.
 D542,664 S 5/2007 Mayers
 D576,037 S 9/2008 Beam et al.
 D591,721 S * 5/2009 Densho D14/205
 D616,738 S 6/2010 Andre et al.
 D633,086 S * 2/2011 Chen D14/223
 D637,647 S 5/2011 Allison et al.
 D651,903 S 1/2012 Teller
 D652,823 S * 1/2012 Chen H04R 1/1016
 D14/223
 D662,493 S * 6/2012 Chen D14/223
 D672,642 S 12/2012 Supranowicz
 8,391,533 B2 * 3/2013 Sim H04R 1/1041
 381/380
 D681,015 S * 4/2013 Akana H04R 1/10
 D14/223
 D683,902 S 6/2013 Zotalis
 D687,224 S 8/2013 Lacroix
 D691,372 S 10/2013 Chun
 D691,594 S * 10/2013 Akana D14/223
 D706,643 S * 6/2014 Akana D9/721
 8,739,967 B1 6/2014 George
 D708,784 S 7/2014 Kim
 D720,096 S 12/2014 McDougall
 D735,132 S 7/2015 Donohue, II et al.
 D735,991 S 8/2015 Brennan et al.
 D738,110 S 9/2015 Jiang et al.
 D740,653 S * 10/2015 Akana D9/418

D741,287 S * 10/2015 Harata D14/205
 D772,572 S * 11/2016 Palmberg D3/294
 D775,463 S 1/2017 Shieh
 D775,960 S 1/2017 Erdwiens
 D801,314 S * 10/2017 Akana D14/223
 D804,806 S 12/2017 Stueckemann et al.
 D806,388 S 1/2018 Akana et al.
 D816,322 S 5/2018 Choe et al.
 D818,268 S * 5/2018 Akana D3/294
 9,961,431 B2 * 5/2018 McPeak H02J 7/0047
 10,003,880 B2 * 6/2018 Wagman A45C 13/1069
 D822,374 S 7/2018 Hung et al.
 D826,152 S 8/2018 Christiansen
 D838,480 S * 1/2019 Son D3/294
 D846,264 S 4/2019 Wu
 D847,125 S * 4/2019 Akana D14/223
 D849,401 S * 5/2019 Akana D3/274
 D865,720 S * 11/2019 Deng D14/223
 D870,451 S 12/2019 Birger
 D873,217 S 1/2020 Zhang
 D881,572 S * 4/2020 Wang D3/294
 D883,260 S * 5/2020 Hu D14/223
 D887,351 S 6/2020 Bonahoom et al.
 D887,396 S 6/2020 Wang et al.
 D888,408 S * 6/2020 Lee D3/201
 D890,138 S 7/2020 Peng
 D893,184 S * 8/2020 Liu D3/294
 D893,185 S * 8/2020 Liu D3/294
 D895,582 S * 9/2020 Wu D14/223
 D896,206 S * 9/2020 Xu D14/223
 D896,788 S * 9/2020 Akana D14/223
 D897,678 S * 10/2020 Koh D3/294
 D897,788 S * 10/2020 Wang D7/644
 D897,997 S * 10/2020 Zhang D14/223
 D897,998 S * 10/2020 Ma D14/223
 2013/0010998 A1 * 1/2013 Seo H04R 1/1058
 381/380
 2013/0343594 A1 * 12/2013 Howes H04R 1/1016
 381/380
 2017/0094399 A1 3/2017 Chandramohan et al.
 2017/0245038 A1 8/2017 Chawan et al.
 2020/0107098 A1 * 4/2020 DiFonzo H01F 41/0246
 2020/0245049 A1 * 7/2020 Karayiannis H04R 1/1016
 2020/0275182 A1 * 8/2020 Ettensberger H04R 1/1016

FOREIGN PATENT DOCUMENTS

CN 302672007 S 12/2013
 CN 303180712 S 4/2015
 CN 303634602 S 4/2016
 CN 303640496 S 4/2016
 CN 303701471 S 6/2016
 CN 305299425 S 8/2019
 CN 305947401 * 7/2020
 JP D1667774 * 8/2020
 KR 300980148.0000 * 11/2018

OTHER PUBLICATIONS

“Samsung’s stylish mobile accessories are launching worldwide” (via engadget), dated Oct. 31, 2016, (online); Available from internet, (URL: <https://www.engadget.com/2016/10/31/samsung-stylish-mobile-accessories/#/>).

Japanese Patent Office Document HJ 21000610, dated Jul. 26, 2017.

Japanese Patent Office Document HJ 27054573, dated Jul. 26, 2017.

Kogan, “Kogan W8 II True Wireless Earphones (Black)”, comment on pictured model dated Aug. 7, 2019; Retrieved from the Internet: (<https://www.kogan.com/au/buy/kogan-w8-ii-true-wireless-earphones-black/>), 6 pages.

“Spheres, equations and terminology” (written by Paul Bourke), dated Apr. 1992, (online); Available from internet, (URL: <http://paulbourke.net/geometry/circlesphere/>).

“Review: Hush smart earplugs put a waterfall in your ear”, dated May 11, 2016, (online); Available from internet, (URL: <https://newatlas.com/hush-smart-earplug-review/43272/>).

(56)

References Cited

OTHER PUBLICATIONS

Round corners for Openscad—Tutorial (written by William A Adams), dated Jun. 15, 2011, (online); Available from internet, (URL: <https://www.thingiverse.com/thing:9347>).

Urbanista, “Stockholm”, dated on May 20, 2019. Retrieved from the Internet: (URL: <http://www.urbanista.com/us/stockholm>) (<http://www.urbanista.com/us/stockholm>), 22 pages.

Veho Pebble Explorer Portable Power Bank, dated Mar. 17, 2014, (online); Available from internet, (URL: https://www.amazon.com/gp/product/B00FS6YQWY/ref=as_li_tl?tag=travelfcom0-a-20&ie=UTF8&camp=1789&creative=390957&creativeASIN=B00FS6YQWY&linkCode=as-2&linkId=RXUJDO2BX2CNJTUK).

Wirecutter, “The Best True Wireless Headphones So Far”, dated Mar. 27, 2018. (<https://thewirecutter.com/reviews/best-true-wireless-headphones/>).

* cited by examiner

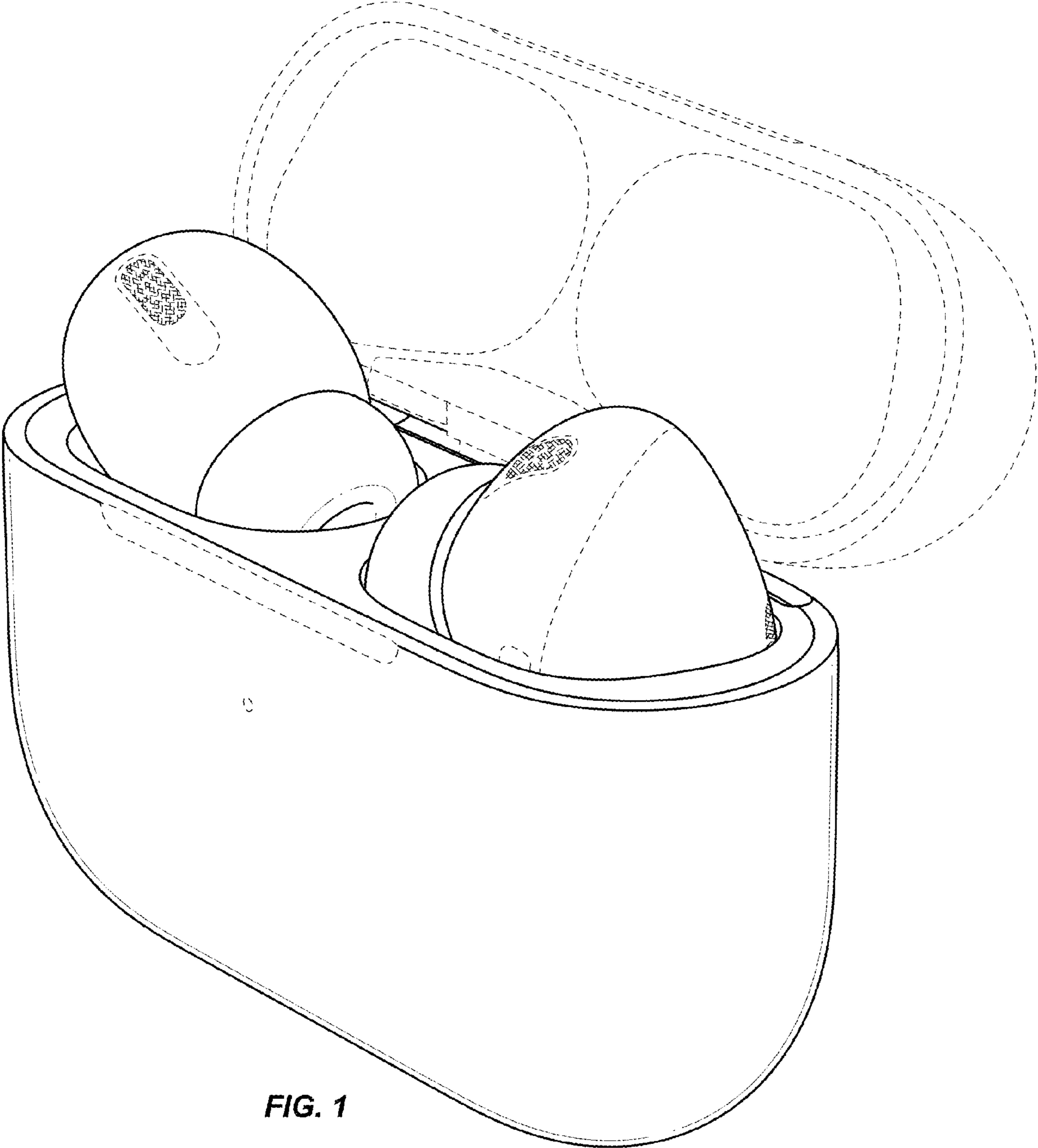


FIG. 1

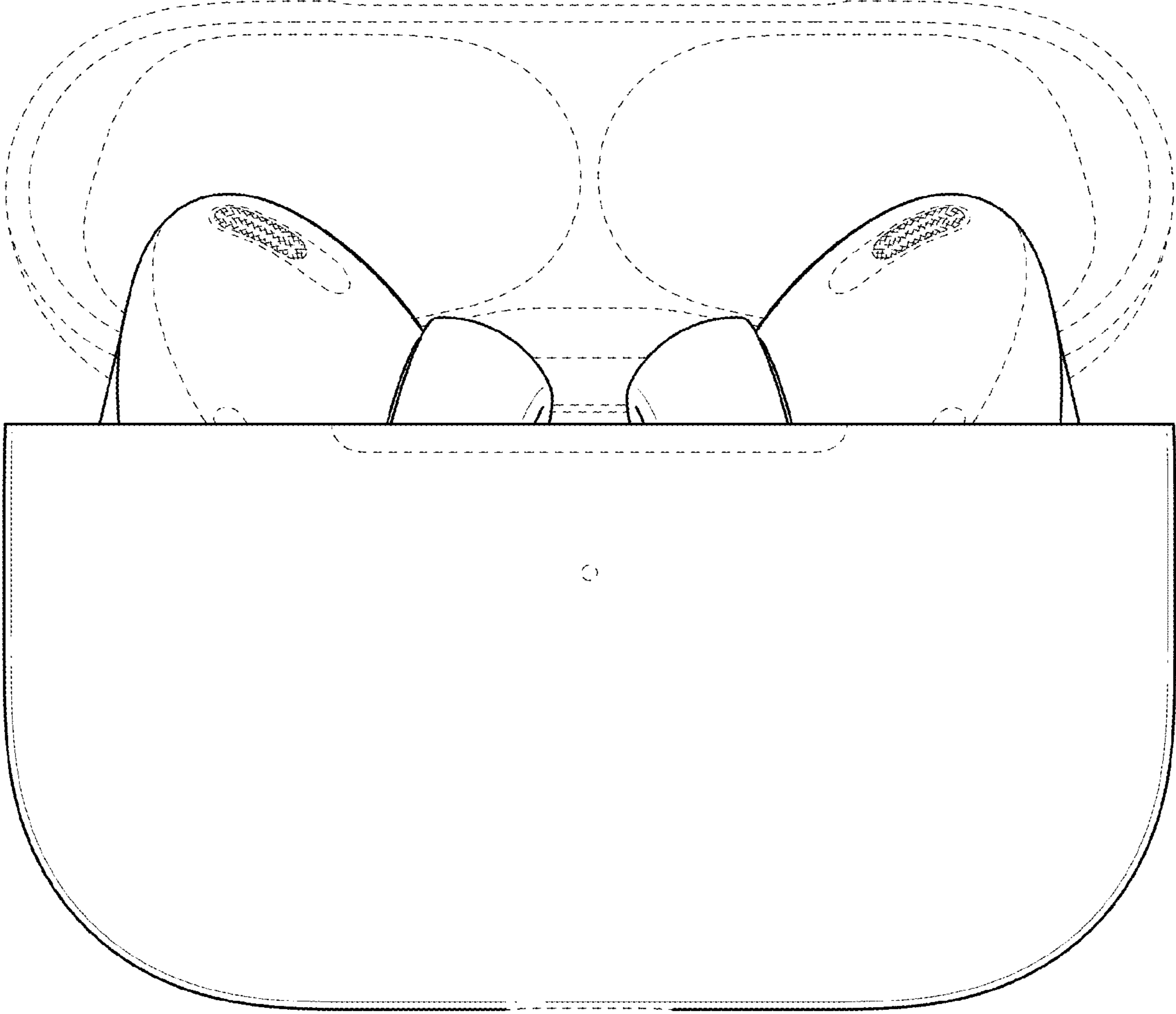


FIG. 2

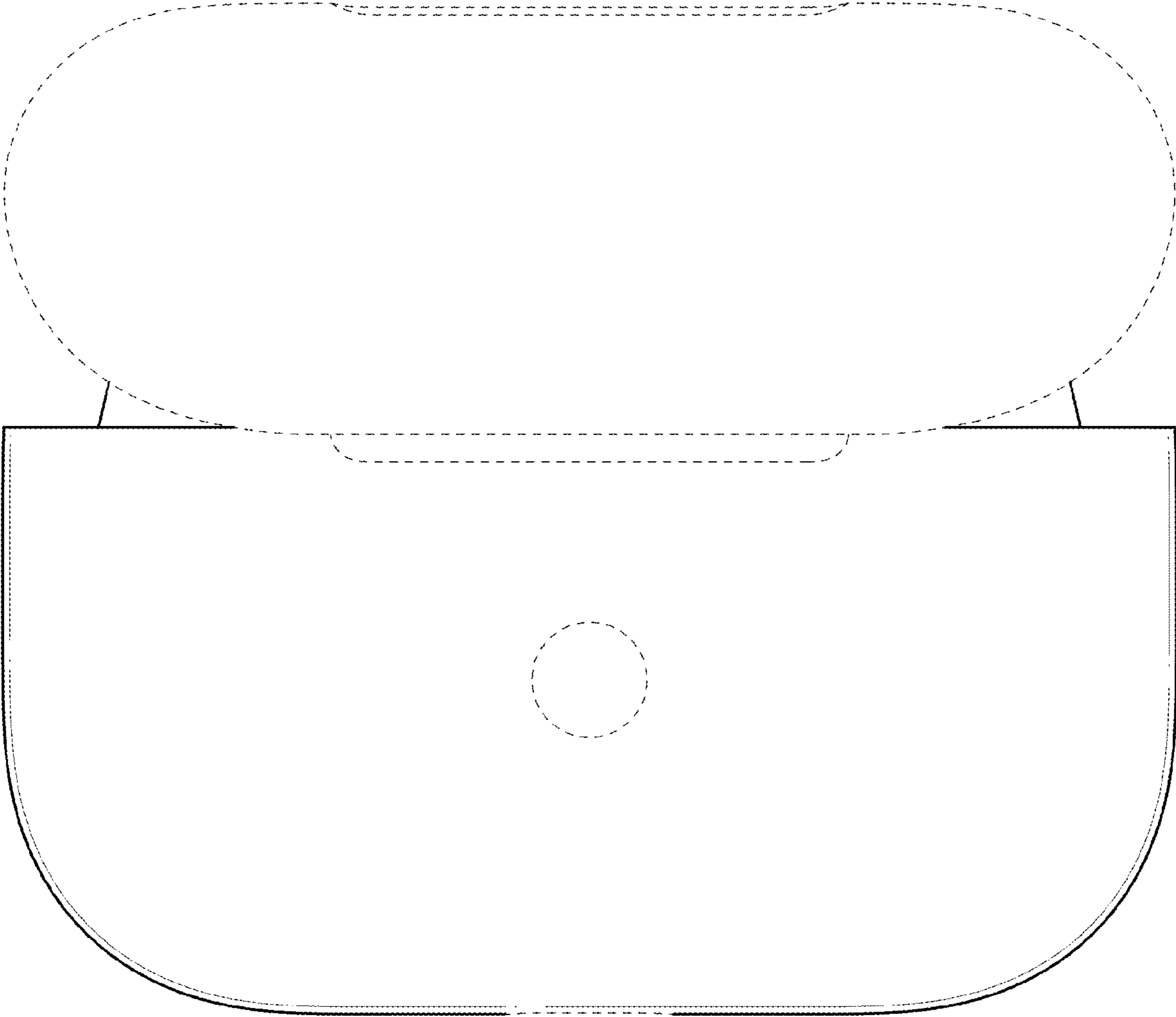


FIG. 3

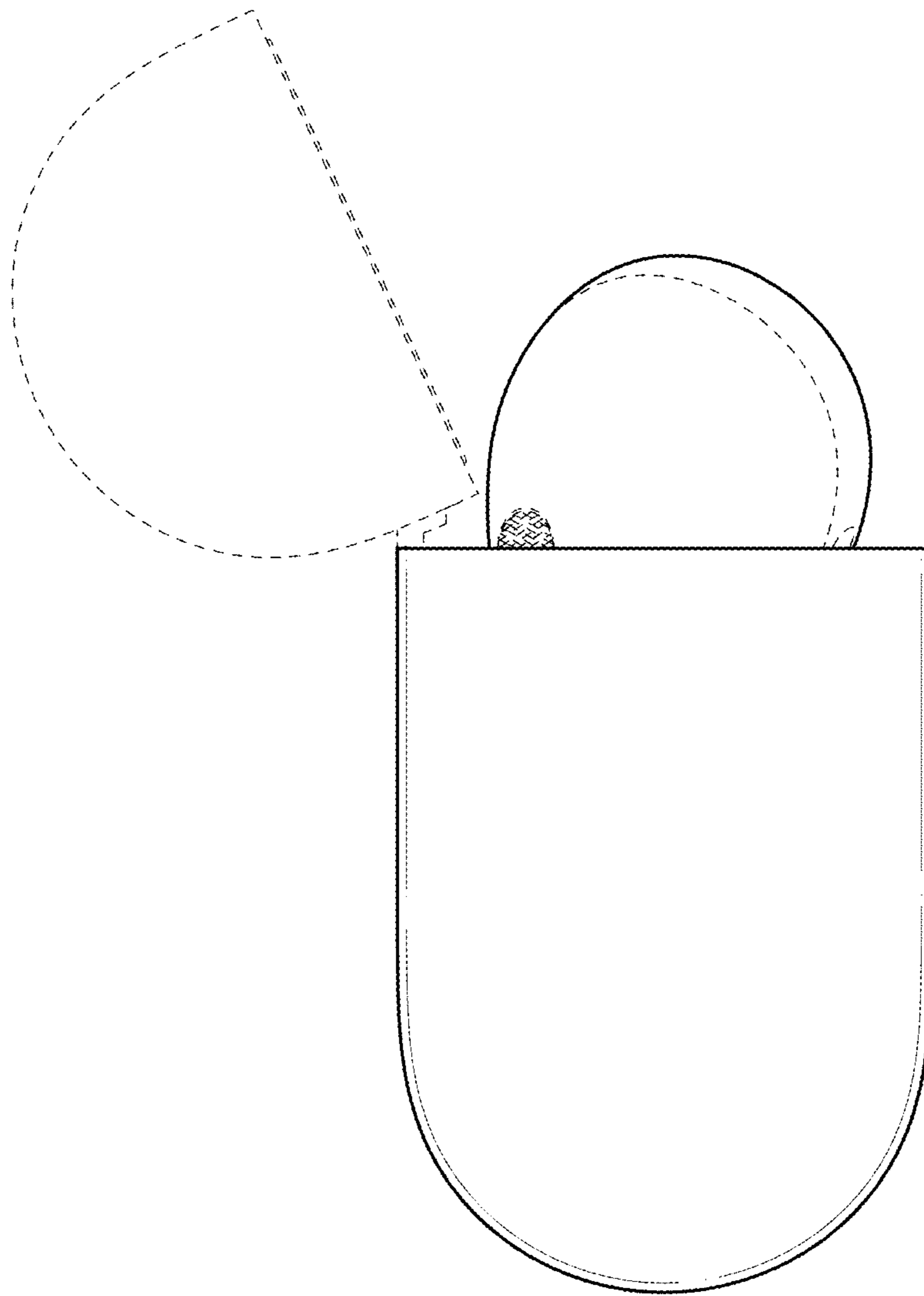


FIG. 4

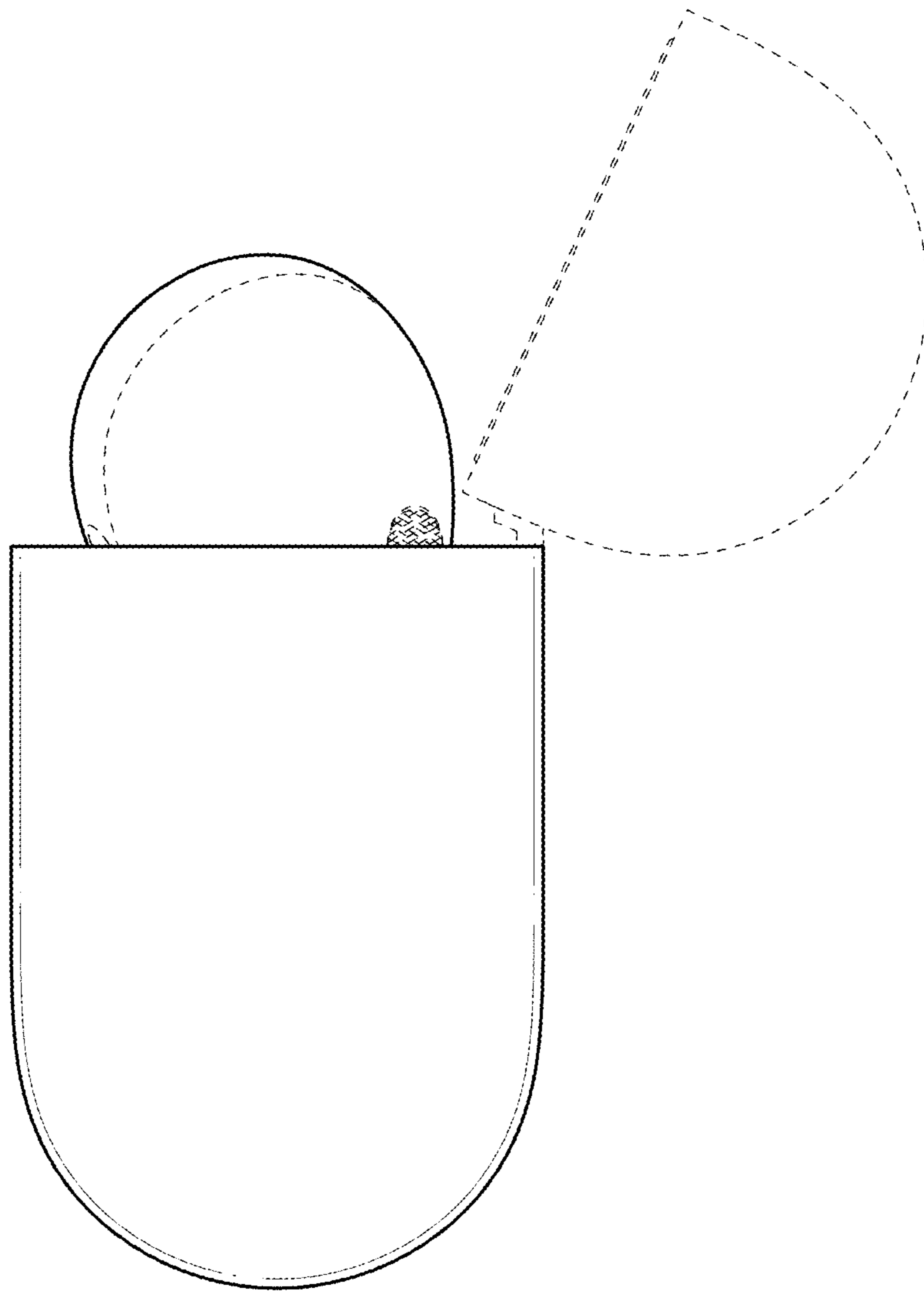


FIG. 5

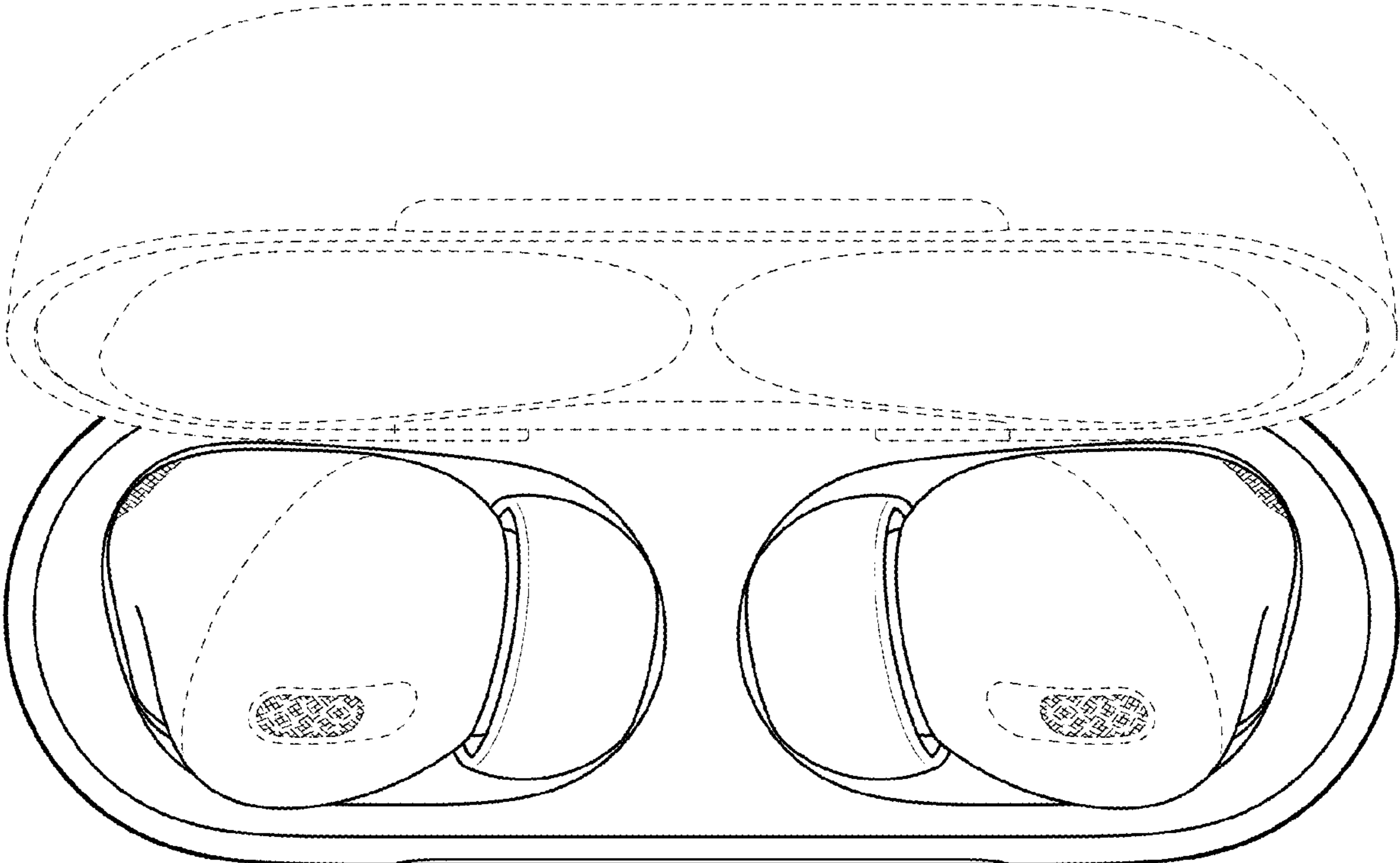


FIG. 6

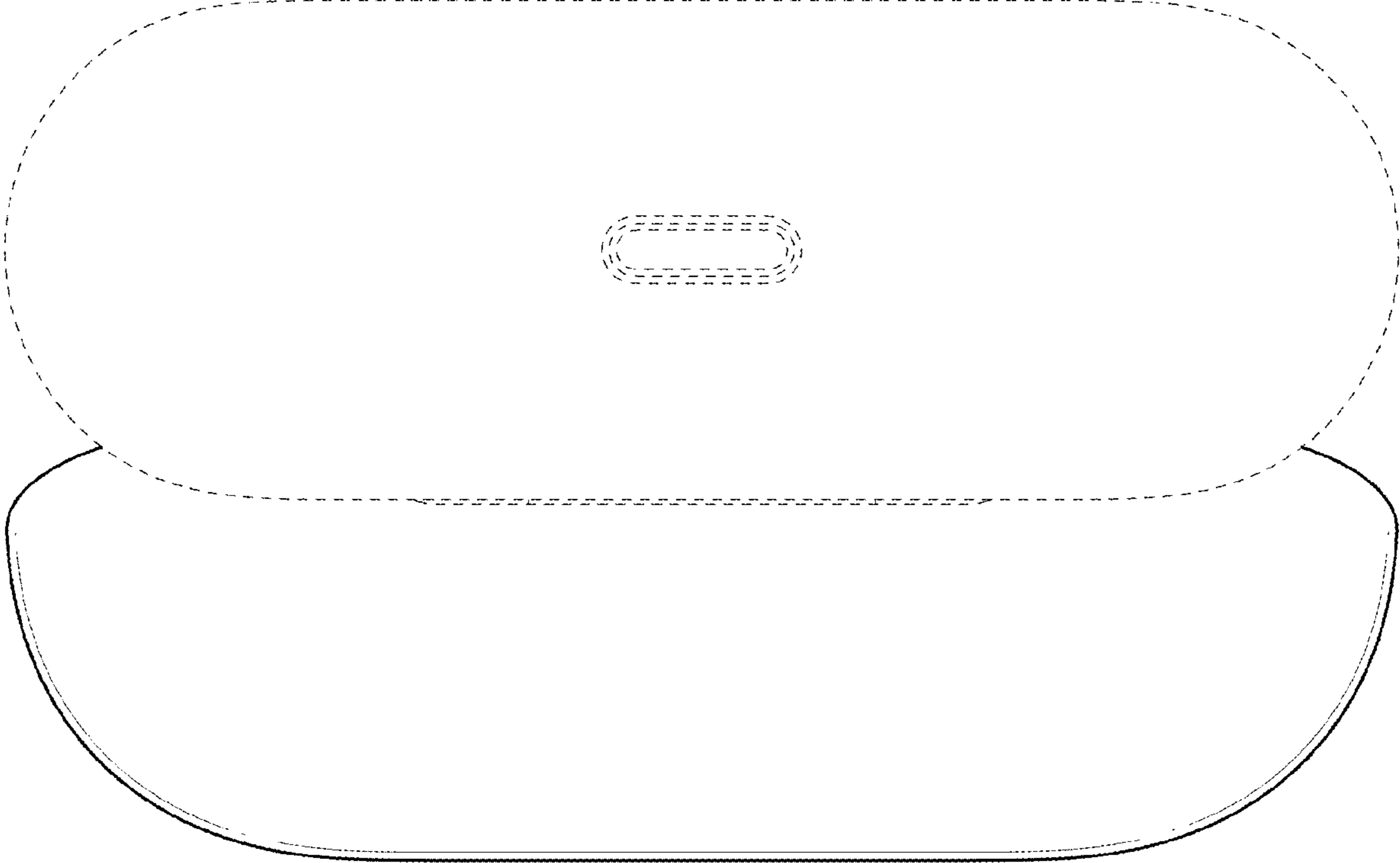


FIG. 7

UNITED STATES PATENT AND TRADEMARK OFFICE
CERTIFICATE OF CORRECTION

PATENT NO. : D907,009 S
APPLICATION NO. : 29/706555
DATED : January 5, 2021
INVENTOR(S) : Akana et al.

Page 1 of 2

It is certified that error appears in the above-identified patent and that said Letters Patent is hereby corrected as shown below:

In the Drawings

Please replace Figure 7 with Replacement Figure 7 on the attached Replacement Sheet.

Signed and Sealed this
Thirty-first Day of August, 2021



Drew Hirshfeld
*Performing the Functions and Duties of the
Under Secretary of Commerce for Intellectual Property and
Director of the United States Patent and Trademark Office*

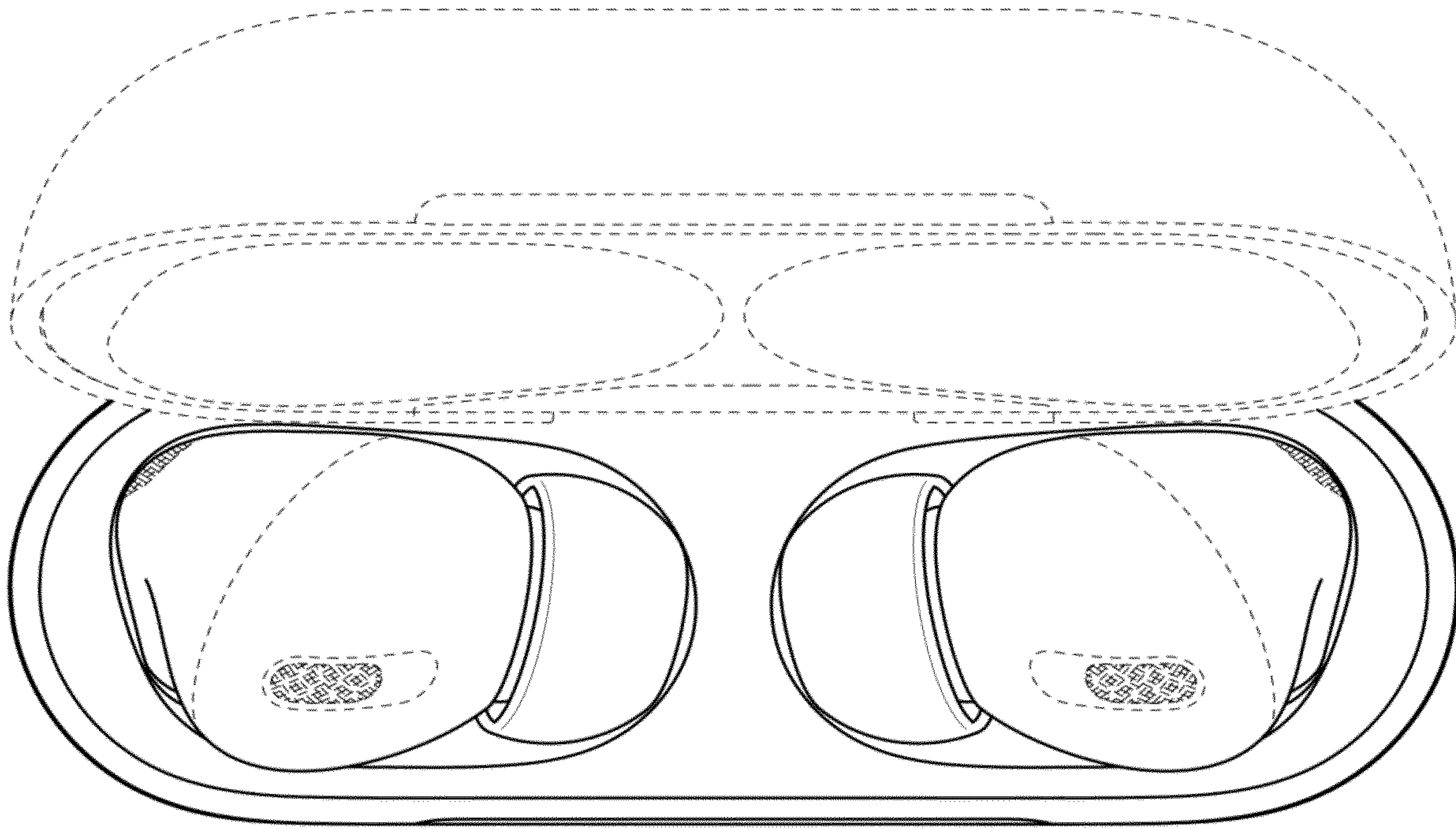


FIG. 6

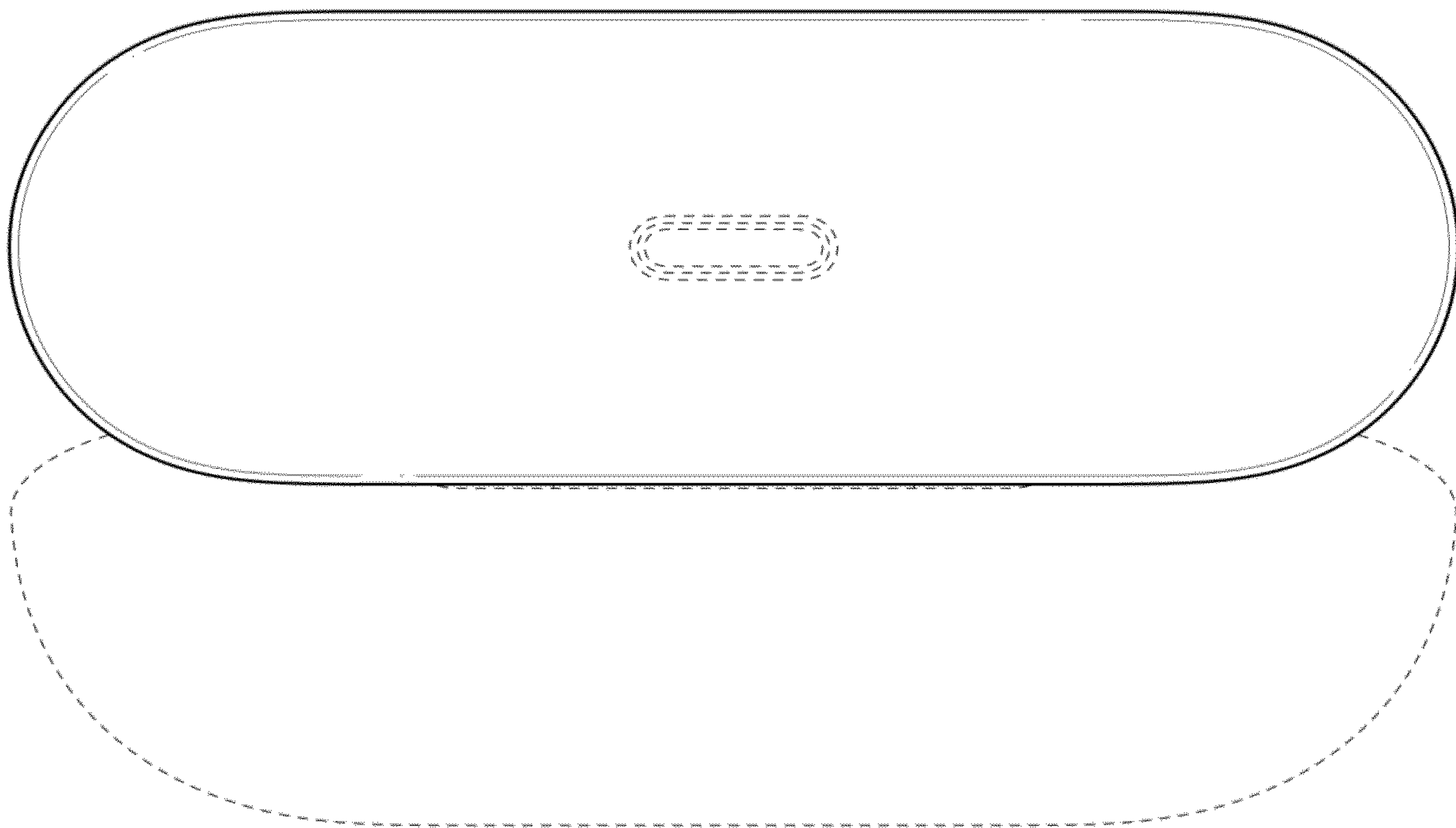


FIG. 7