



US00D907007S

(12) **United States Design Patent**
Chen

(10) **Patent No.:** **US D907,007 S**

(45) **Date of Patent:** **** Jan. 5, 2021**

(54) **WIFI CONTROLLER**

(71) Applicant: **Liyan Chen**, Shenzhen (CN)

(72) Inventor: **Liyan Chen**, Shenzhen (CN)

(73) Assignee: **Shenzhen Changpu Technology Co., Ltd.**, Guangdong (CN)

(**) Term: **15 Years**

(21) Appl. No.: **29/714,732**

(22) Filed: **Nov. 25, 2019**

(51) **LOC (13) Cl.** **14-03**

(52) **U.S. Cl.**

USPC **D14/218**; D13/168; D14/496

(58) **Field of Classification Search**

USPC D13/108, 137.3, 138.1, 153, 168, 171;
D14/155, 188, 205, 206, 217, 218, 223,
D14/225, 240, 433

CPC H03J 1/0025; H03J 9/00; H03J 9/02; H03J
9/04; H03J 9/06; H01H 9/0228; H01H
9/0235; H04B 1/202; G05B 11/01; G08C
17/00; G08C 17/02; G08C 19/28; G08C
23/04; H04M 1/6058; H04R 1/1041

See application file for complete search history.

(56) **References Cited**

U.S. PATENT DOCUMENTS

D596,622 S *	7/2009	Lee	D14/218
D609,636 S *	2/2010	Jensen	D13/108
D627,306 S *	11/2010	Charleux	D13/168
D632,265 S *	2/2011	Choi	D13/168
D641,342 S *	7/2011	Chang	D14/240
D700,904 S *	3/2014	Miller	D14/218

D738,858 S *	9/2015	Tuhkanen	D14/218
D742,359 S *	11/2015	Zhao	D14/216
D743,954 S *	11/2015	Chuang	D14/240
D751,538 S *	3/2016	Koehler	D14/240
D766,844 S *	9/2016	Turksu	D13/168
D771,142 S *	11/2016	Langhammer	D14/496
D777,100 S *	1/2017	Price	D13/103
D778,887 S *	2/2017	Christie	D14/240
D804,531 S *	12/2017	Beck	D14/496
D814,436 S *	4/2018	Wen	D14/150
D820,318 S *	6/2018	Mullins	D14/496
D829,242 S *	9/2018	Laine	D14/496
D834,567 S *	11/2018	Snyder	D14/228
D848,398 S *	5/2019	Huang	D14/216
D850,367 S *	6/2019	Xiong	D13/108
D853,982 S *	7/2019	Lu	D14/155
D858,499 S *	9/2019	Yang	D14/242
D863,256 S *	10/2019	Lindof	D14/217
D879,053 S *	3/2020	Yu	D13/168
D888,688 S *	6/2020	Xie	D14/216

* cited by examiner

Primary Examiner — Selina Sikder

(57) **CLAIM**

I claim the ornamental design for a WiFi controller, as shown and described.

DESCRIPTION

FIG. 1 is a front elevational view of a WiFi controller showing my new design;

FIG. 2 is a rear elevational view thereof;

FIG. 3 is a left side elevational view thereof;

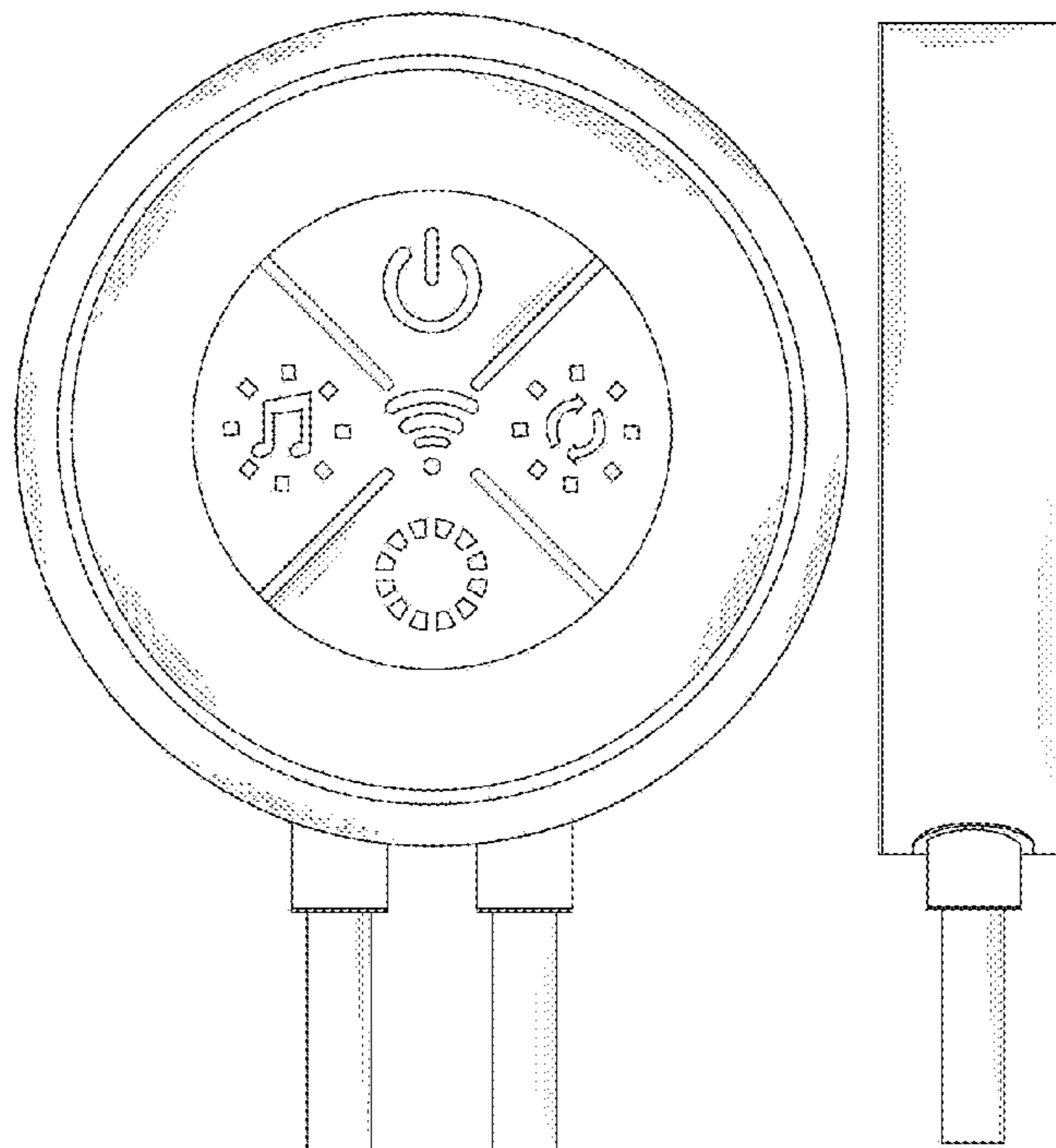
FIG. 4 is a right side elevational view thereof;

FIG. 5 is a top plan view thereof;

FIG. 6 is a bottom plan view thereof; and,

FIG. 7 is a perspective view thereof.

1 Claim, 7 Drawing Sheets



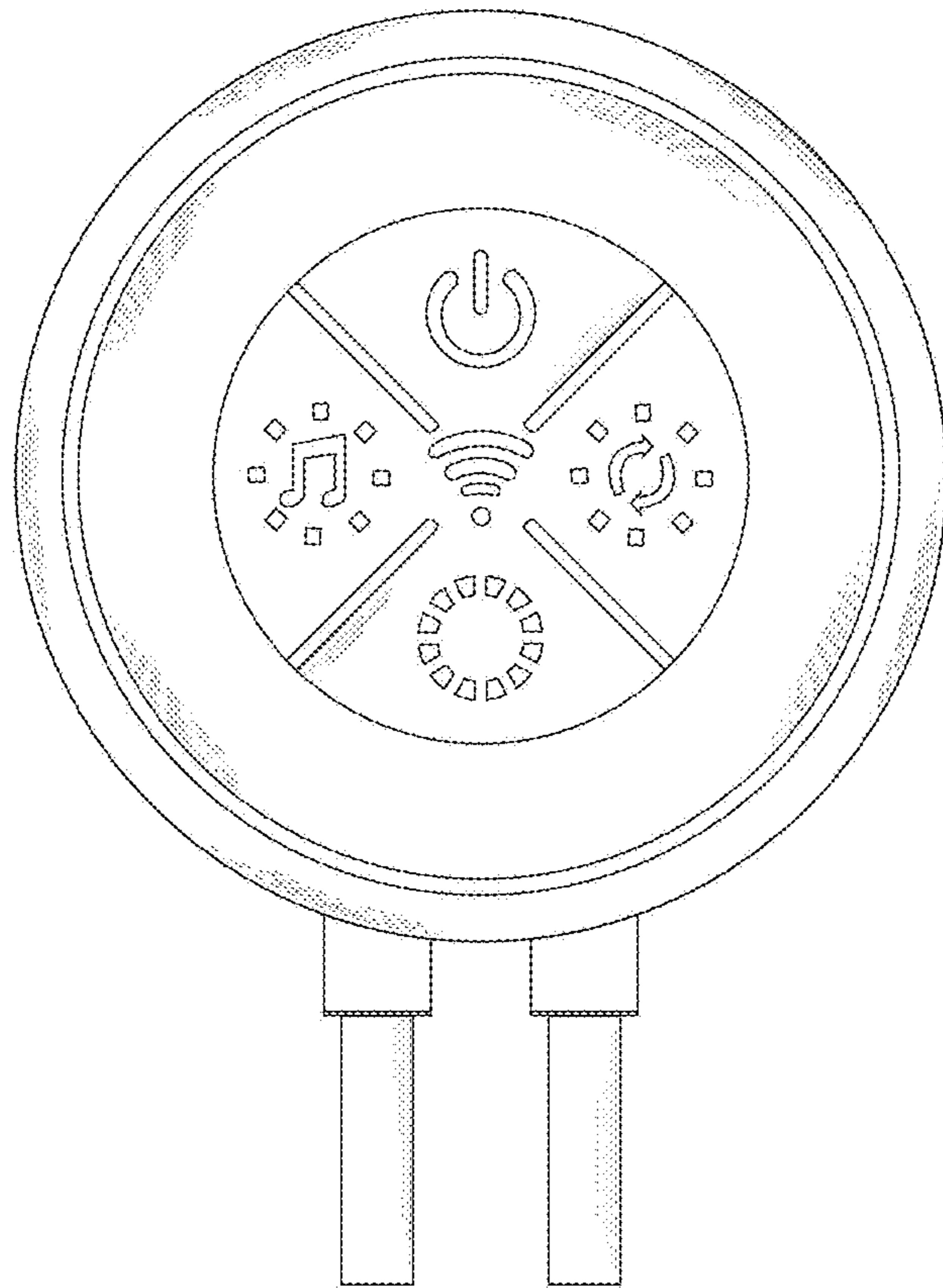


FIG.1

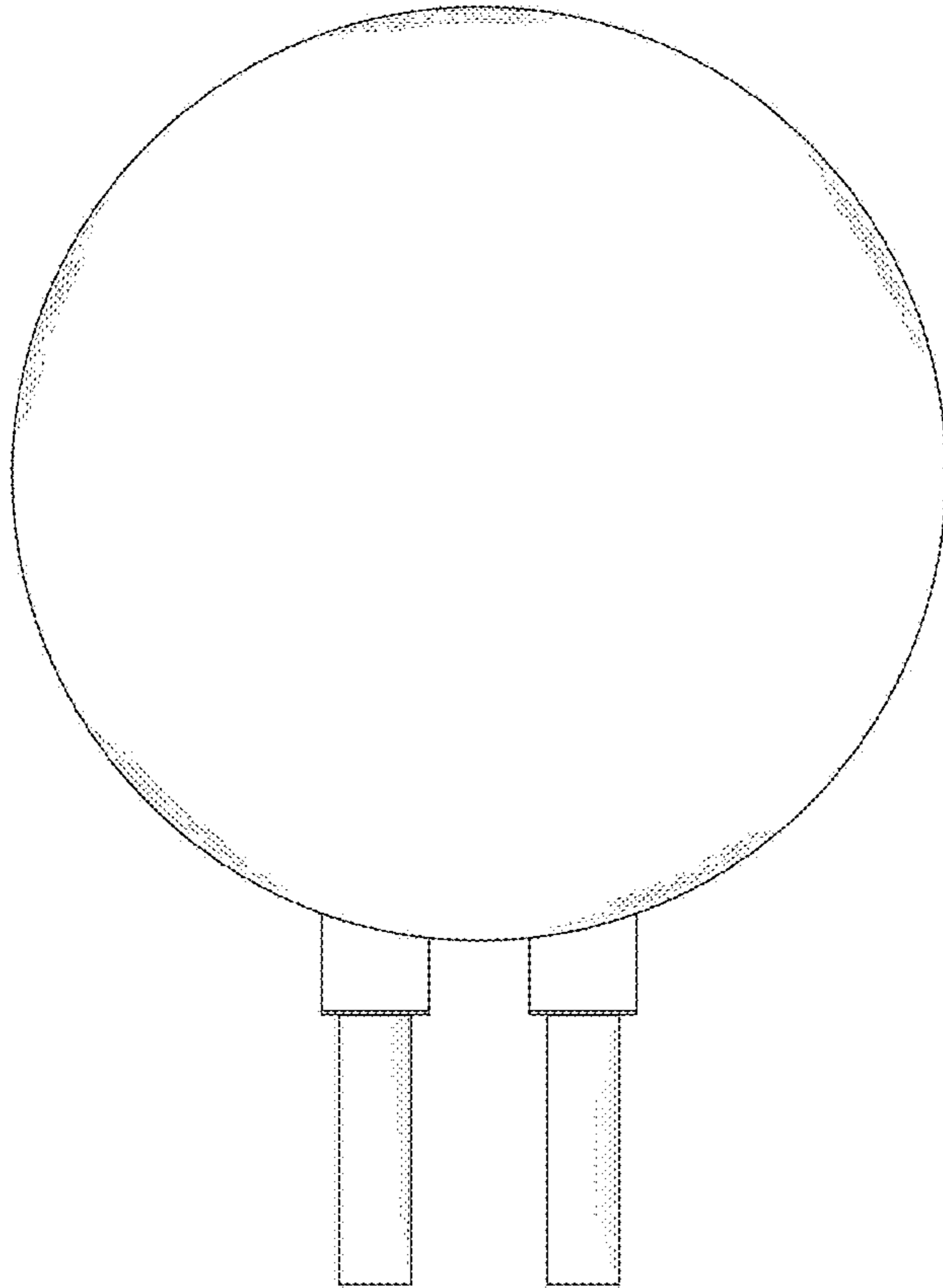


FIG.2

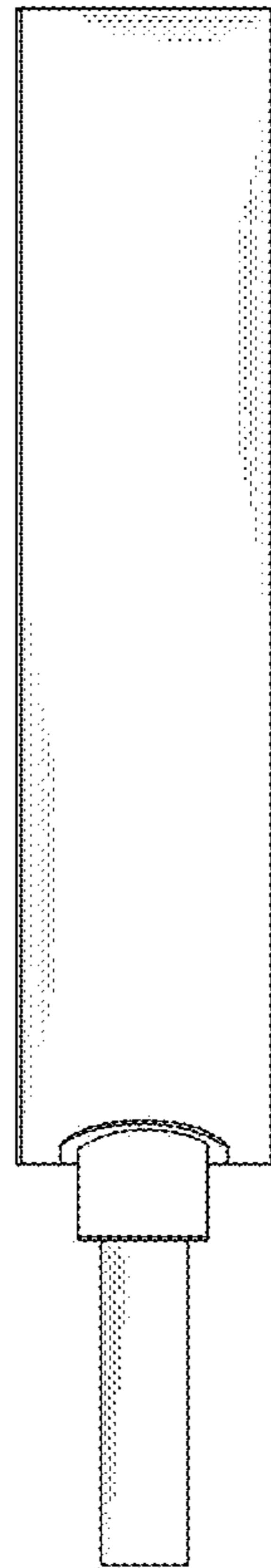


FIG.3

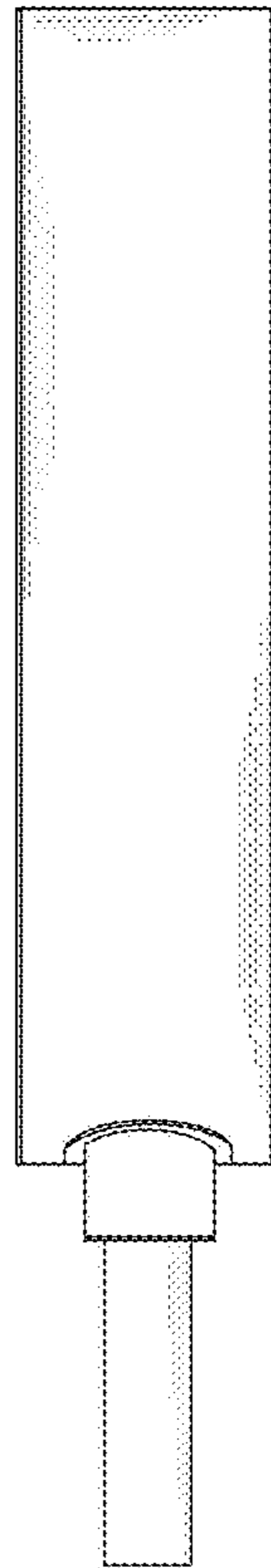


FIG.4

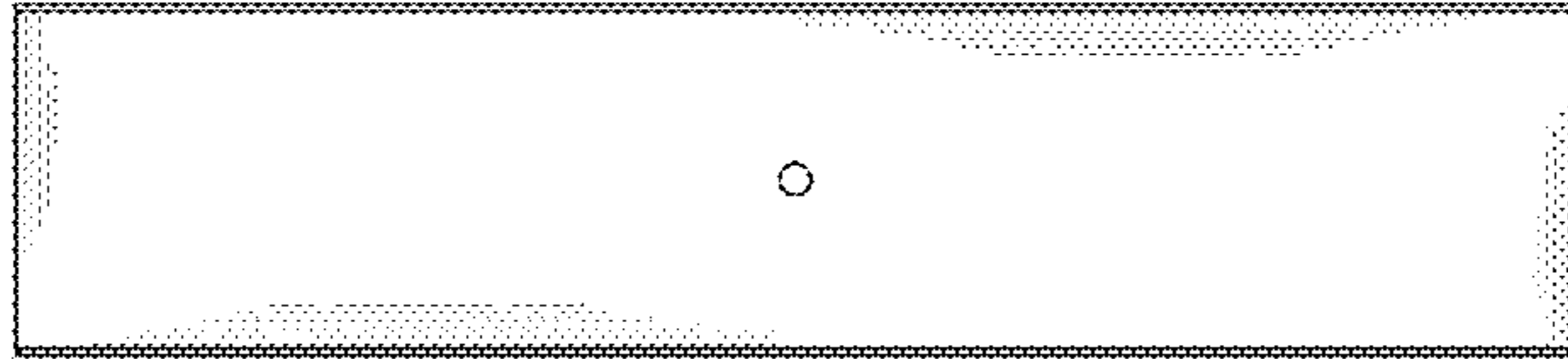


FIG.5

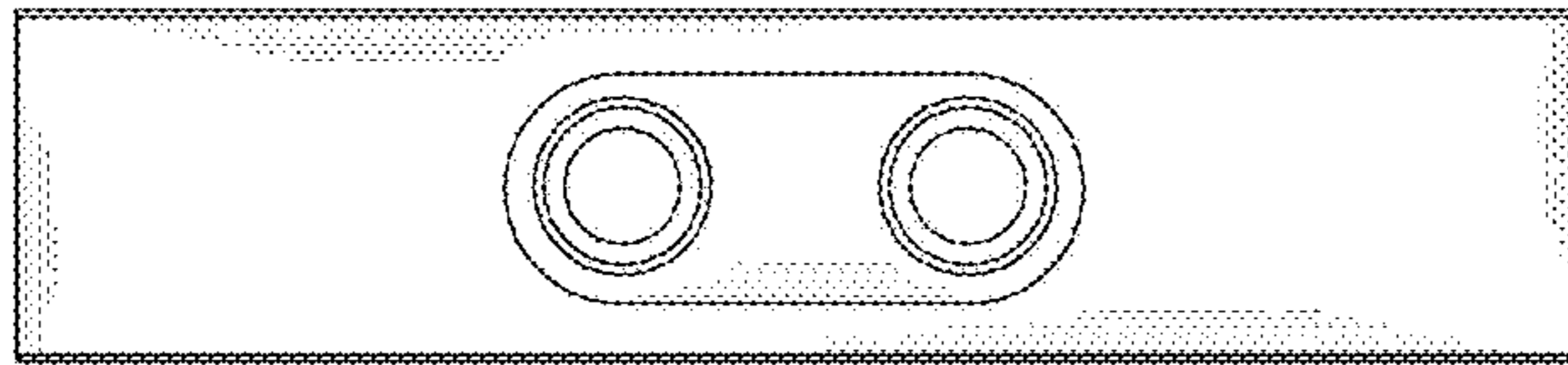


FIG.6

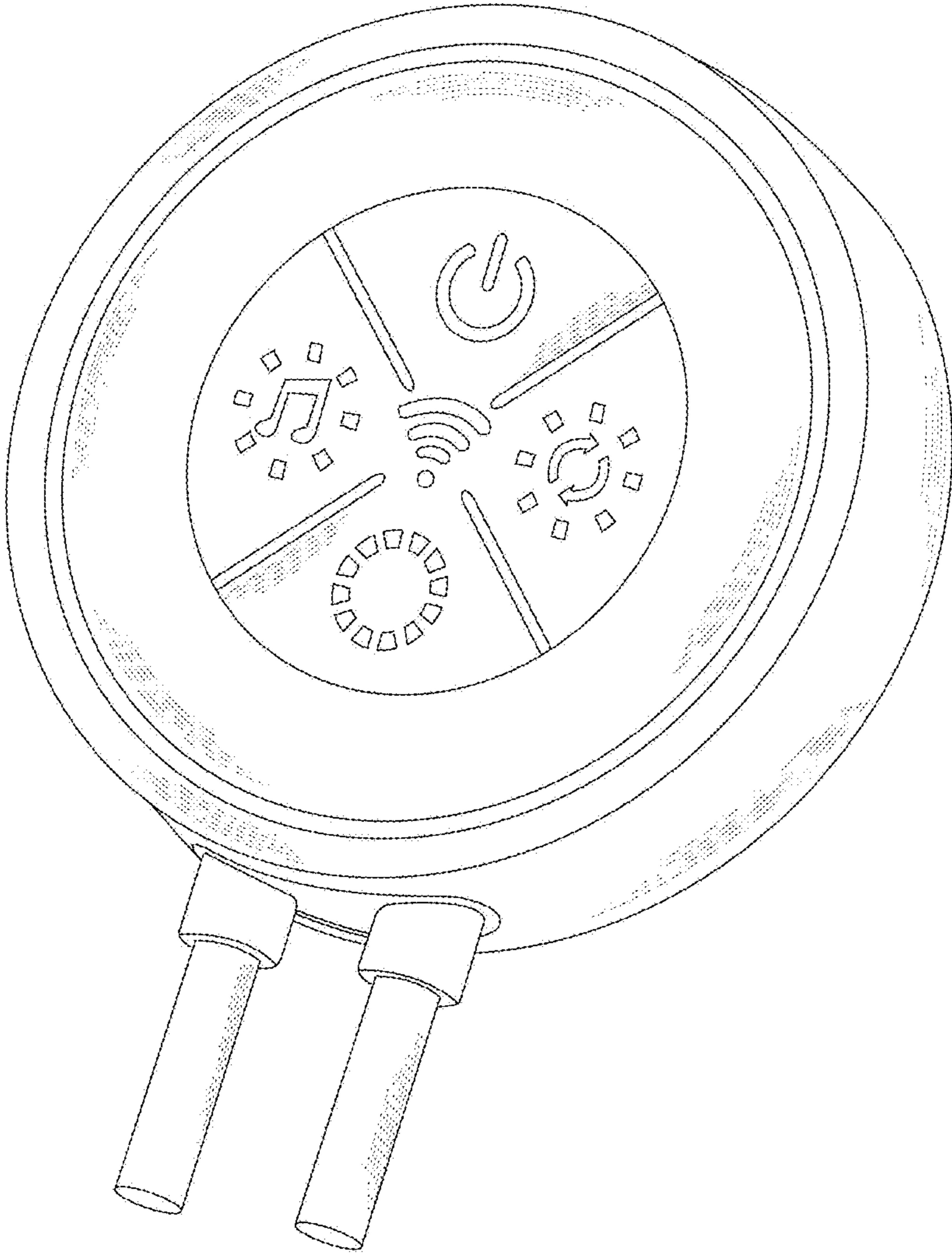


FIG.7