



US00D907006S

(12) **United States Design Patent** (10) **Patent No.:** **US D907,006 S**  
**Xie** (45) **Date of Patent:** **\*\* Jan. 5, 2021**

(54) **SOUND MACHINE**

(71) Applicant: **SHENZHEN LIANHUA ELECTRONICS CO., LTD**, Shenzhen (CN)

(72) Inventor: **Qingqin Xie**, Suixi (CN)

(\*\*) Term: **15 Years**

(21) Appl. No.: **29/741,664**

(22) Filed: **Jul. 15, 2020**

(51) **LOC (13) Cl.** ..... **14-01**

(52) **U.S. Cl.**  
USPC ..... **D14/216**

(58) **Field of Classification Search**  
USPC ..... D14/167, 168, 170-172, 188, 194-196, D14/204, 209.1, 210-216, 219, 221, 222, D14/224, 239, 496

CPC ..... B60R 11/0217; G06F 1/1688; G10K 9/22; G10K 11/004; H03F 1/327; H04M 1/03; H04M 1/035; H04N 5/642; H04N 21/4852; H04R 1/02; H04R 1/06; H04R 1/021; H04R 1/025; H04R 1/026; H04R 1/028; H04R 1/105; H04R 1/323; H04R 1/403; H04R 1/2803; H04R 1/2834; H04R 5/02; H04R 7/20; H04R 9/06; H04R 9/025; H04R 2201/021; H04R 2400/00; H04R 2201/07; H04R 2499/11; H04R 2499/13; H04R 2499/15; H04S 3/00; H04S 7/30

See application file for complete search history.

(56) **References Cited**

U.S. PATENT DOCUMENTS

D731,465 S	6/2015	Khubani	
D815,150 S	4/2018	Hu	
D865,716 S *	11/2019	Kuang	D14/216
D868,031 S *	11/2019	Ryu	D14/216
D875,079 S *	2/2020	Luo	D14/216
D886,079 S *	6/2020	Feng	D14/216
D888,688 S *	6/2020	Xie	D14/216
D889,434 S	7/2020	Xie	

\* cited by examiner

*Primary Examiner* — Keli L Hill

(74) *Attorney, Agent, or Firm* — HYIP

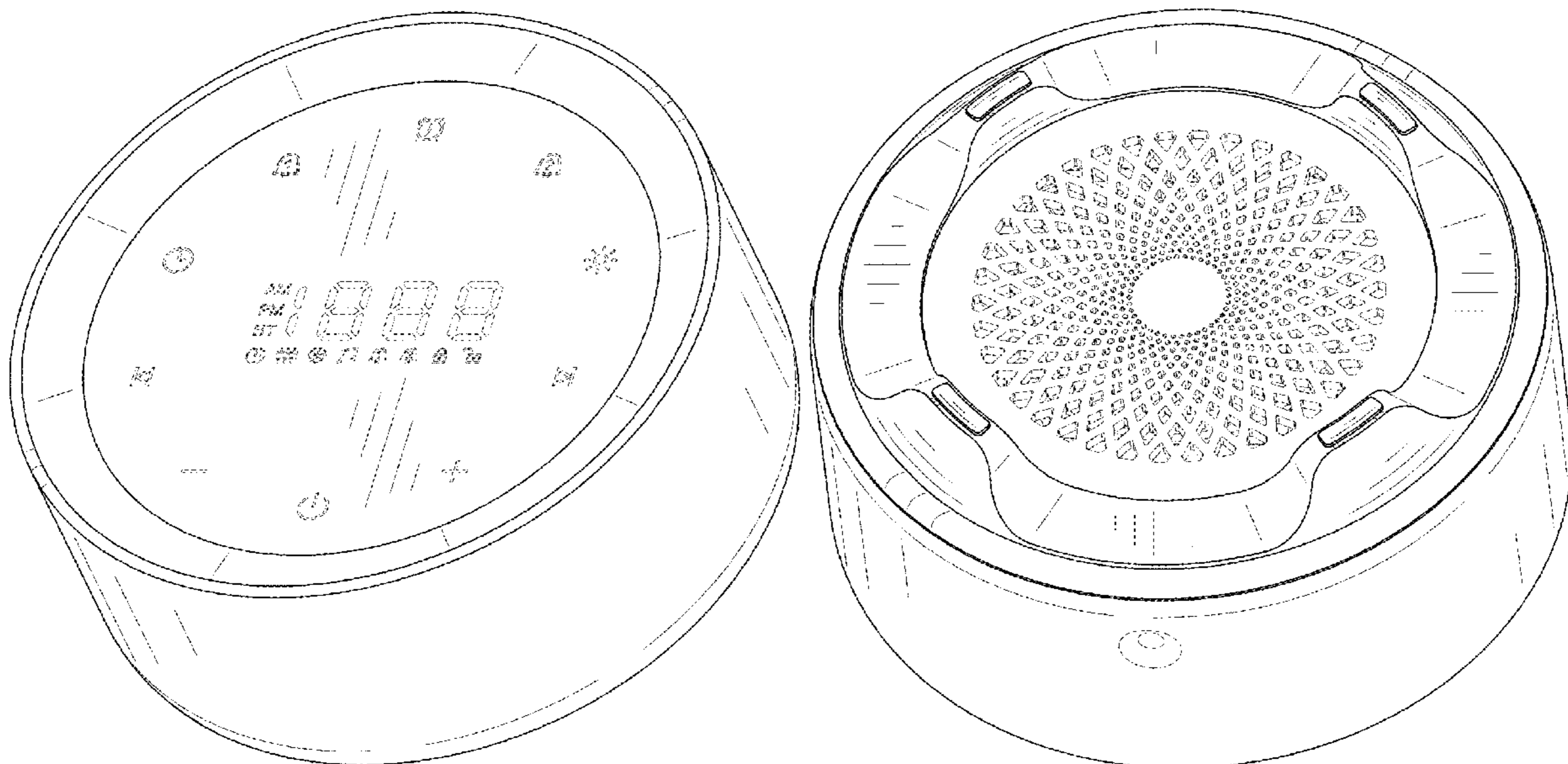
(57) **CLAIM**

The ornamental design for a sound machine, as shown and described.

**DESCRIPTION**

FIG. 1 is a first perspective view of a sound machine showing my new design;  
FIG. 2 is a second perspective view thereof;  
FIG. 3 is a front view thereof;  
FIG. 4 is a back view thereof;  
FIG. 5 is a left side view thereof;  
FIG. 6 is a right side view thereof;  
FIG. 7 is a top view thereof; and,  
FIG. 8 is a bottom view thereof.  
The broken lines shown in the drawings depict portions of the sound machine in which the design is embodied that form no part of the claimed design.

**1 Claim, 8 Drawing Sheets**



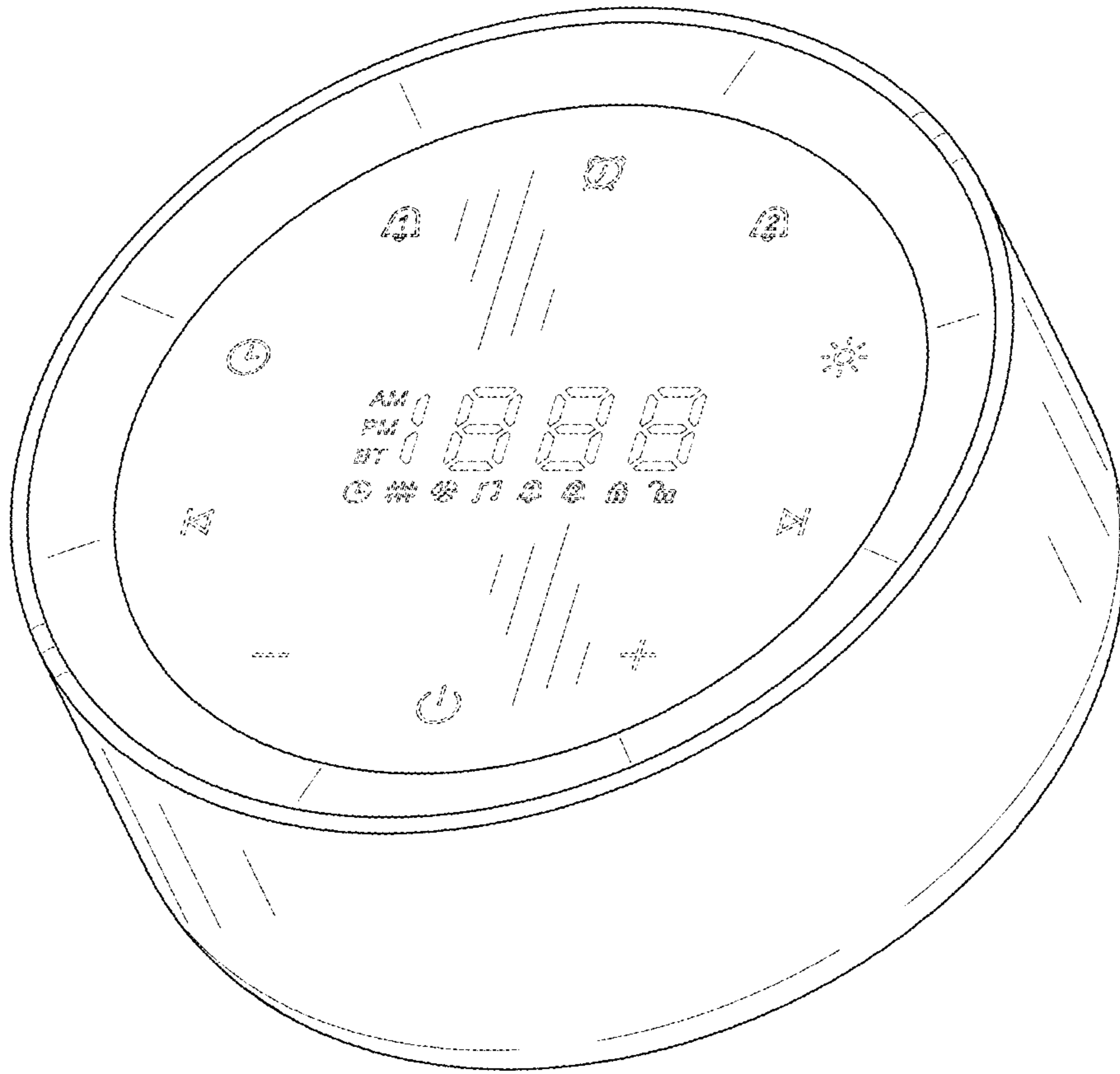


FIG. 1

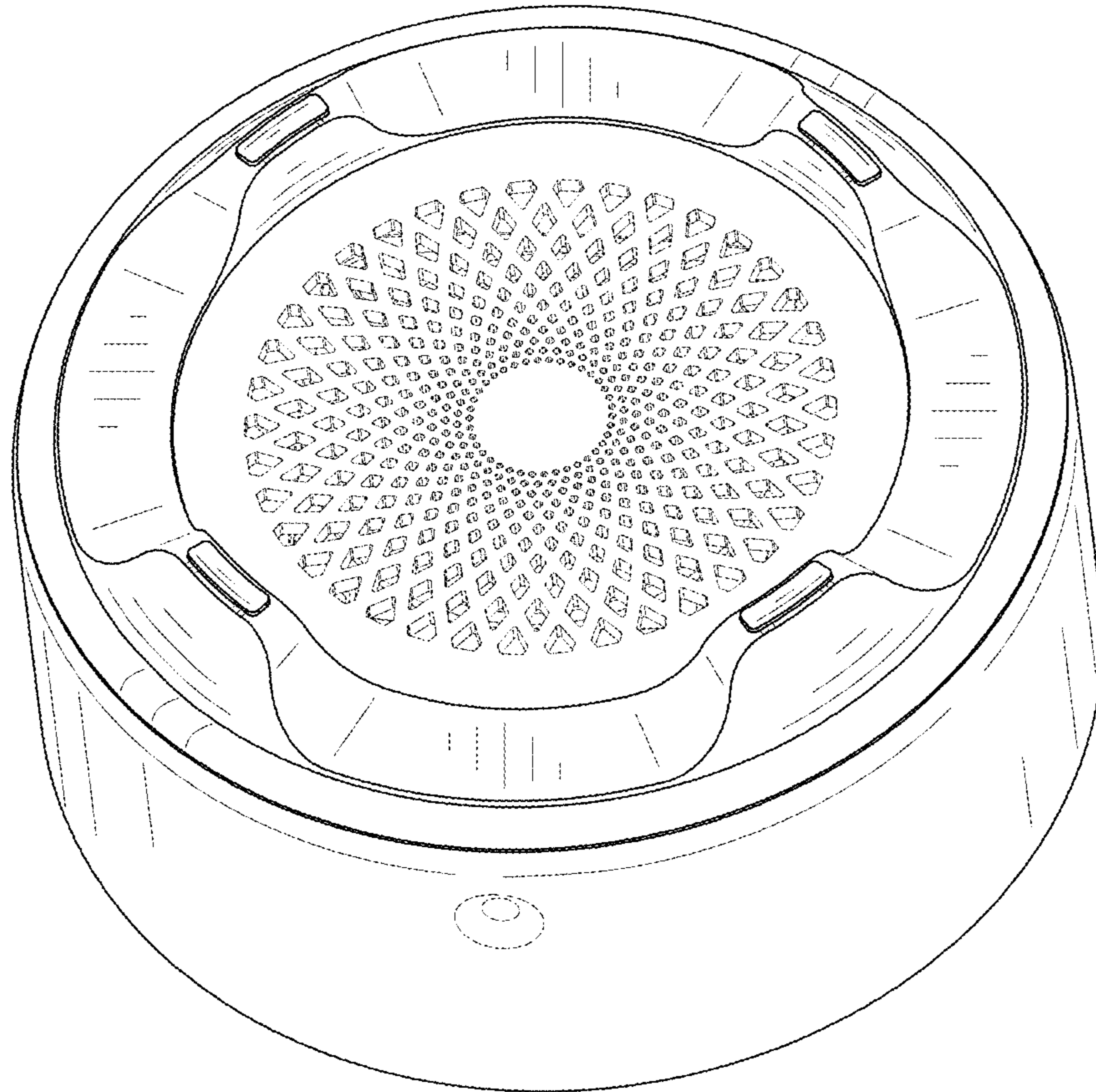


FIG. 2

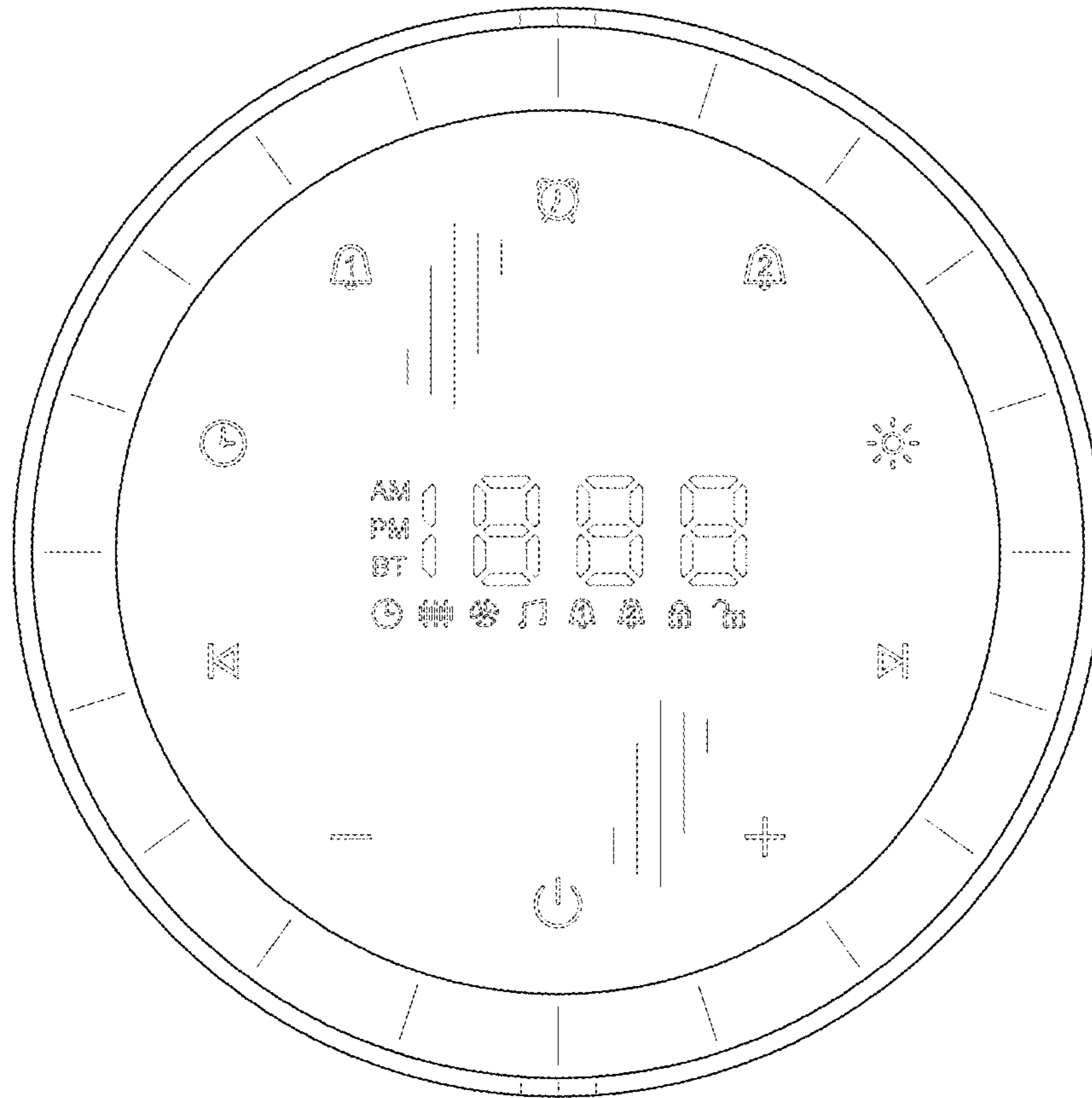


FIG. 3



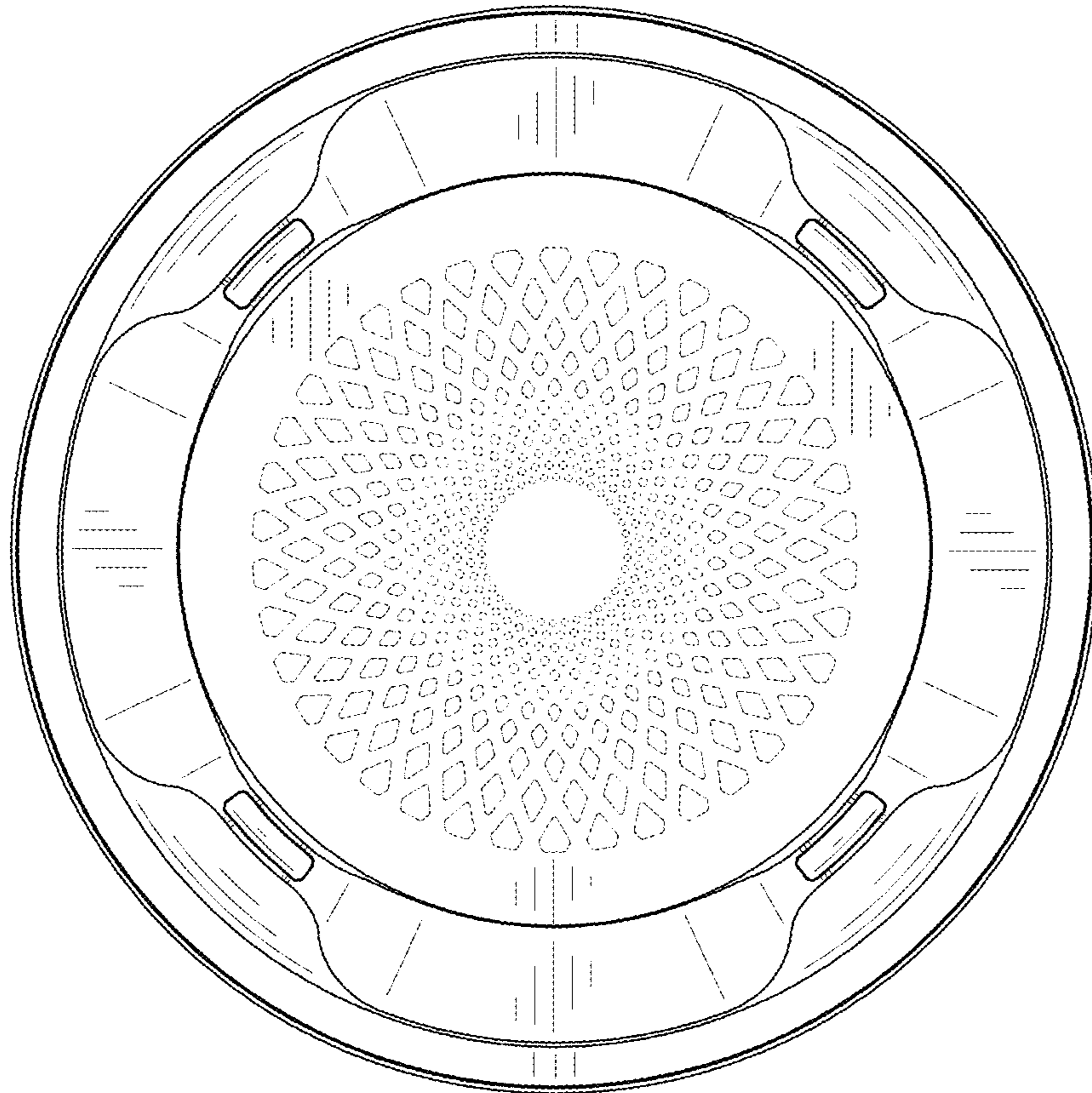


FIG. 4

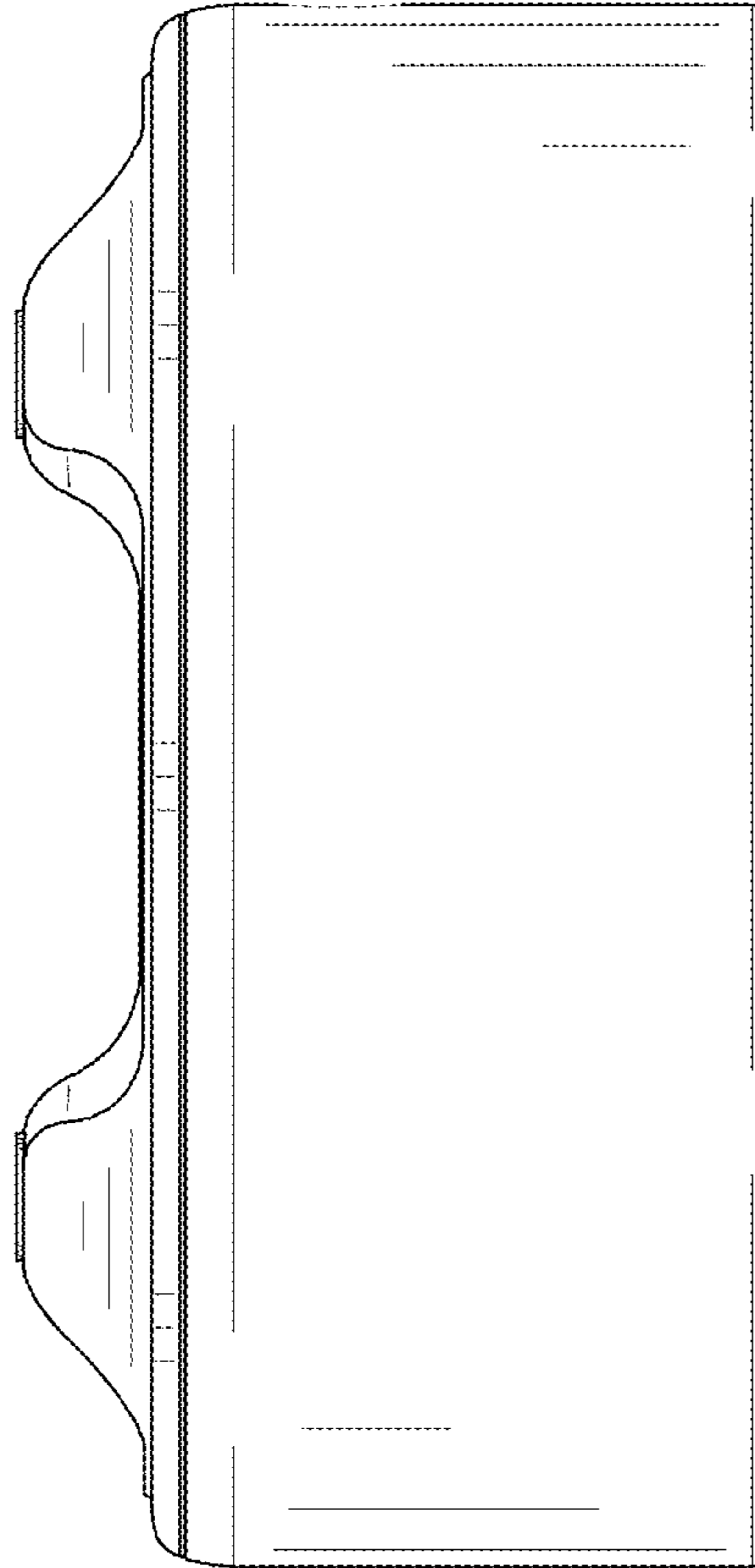


FIG. 5

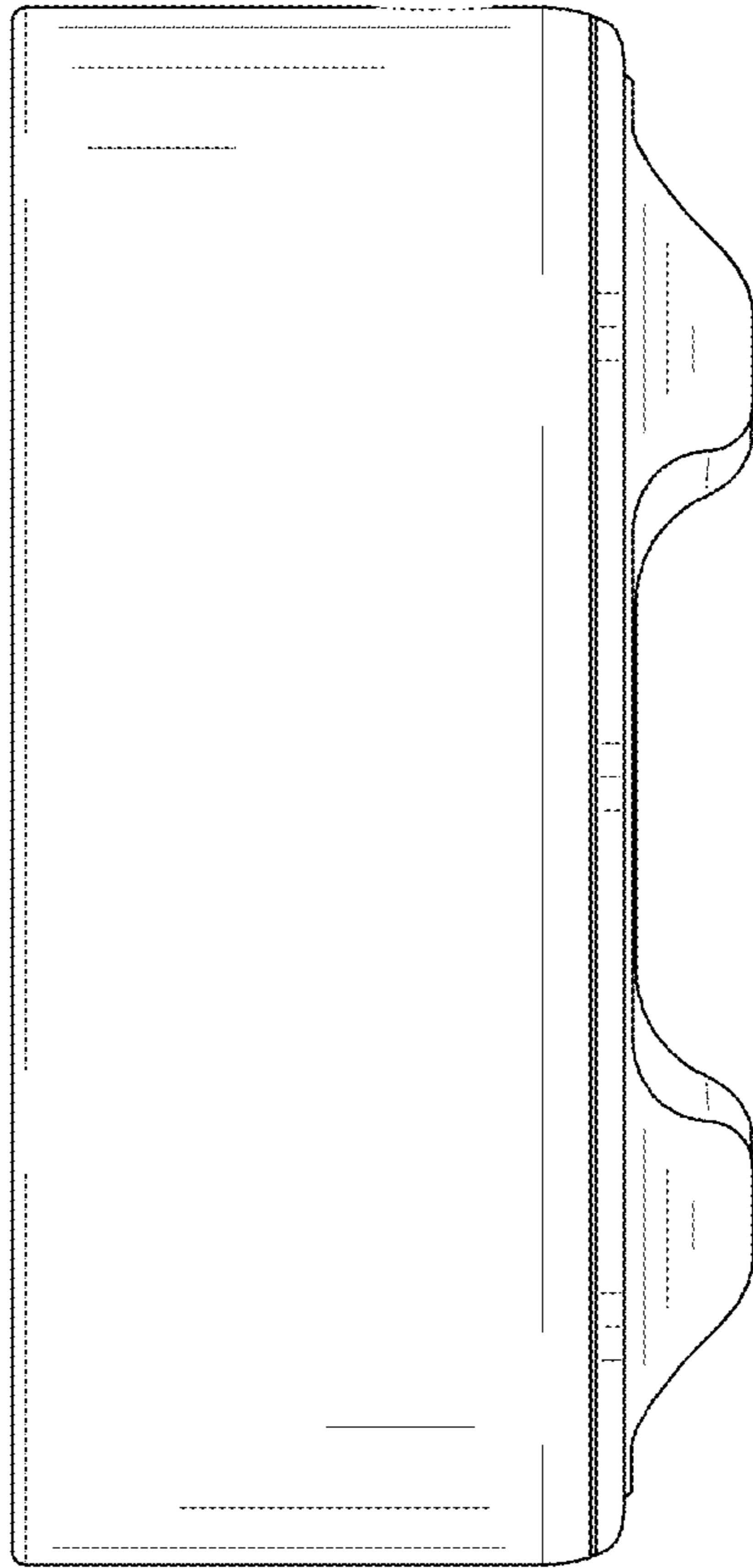


FIG. 6

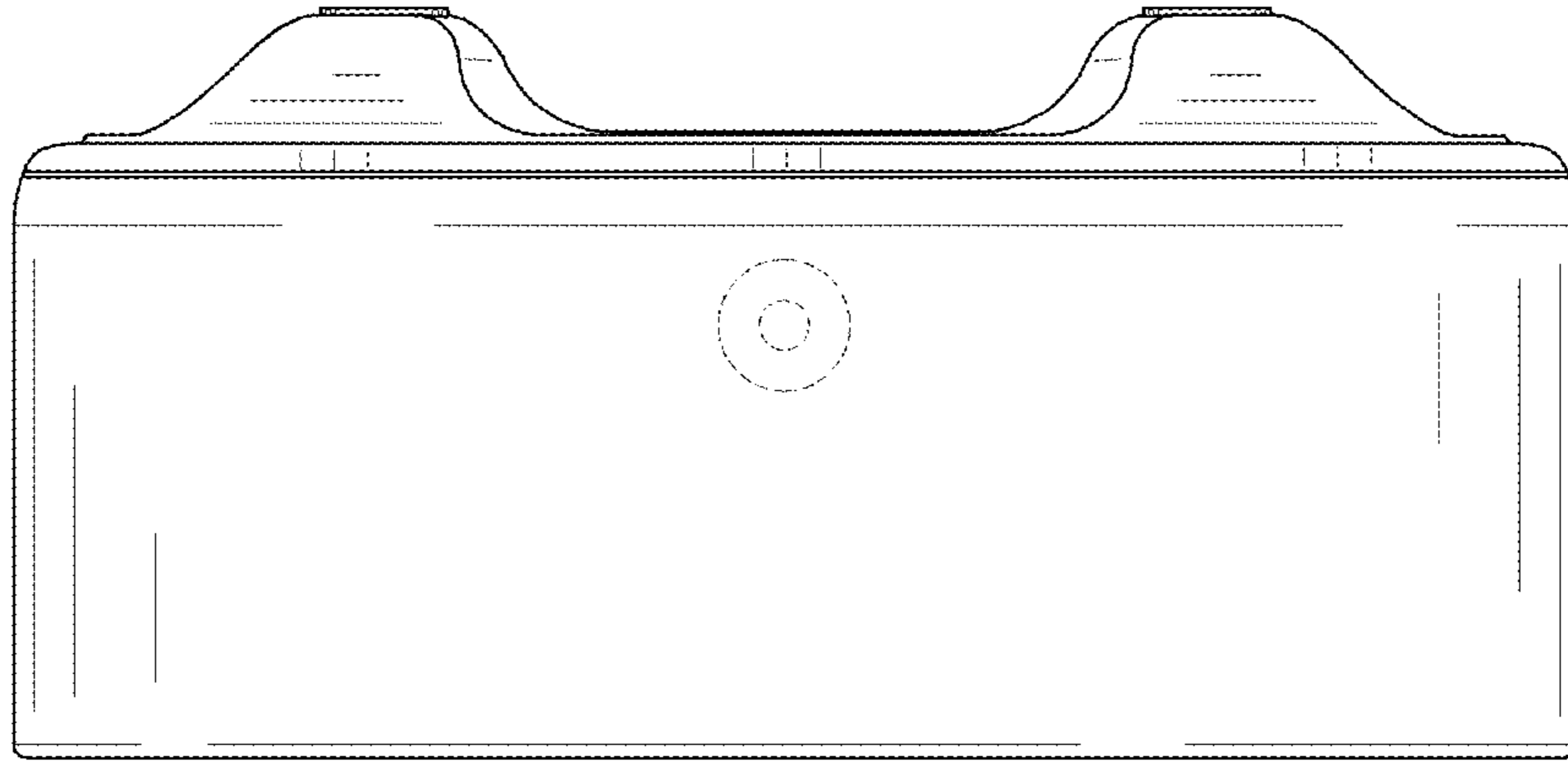


FIG. 7



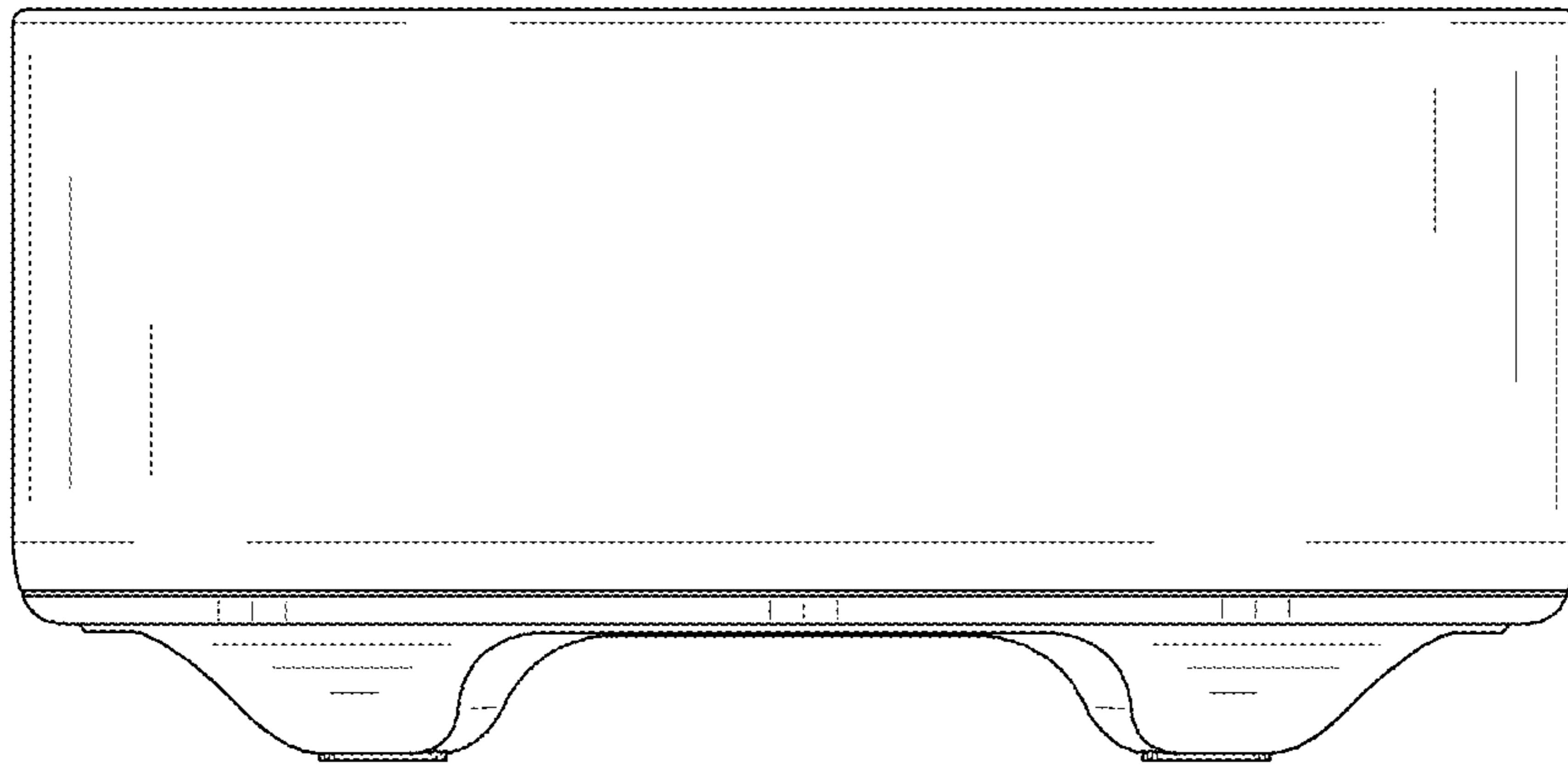


FIG. 8