



(12) **United States Design Patent** (10) **Patent No.:** **US D907,003 S**
Liu (45) **Date of Patent:** **** Jan. 5, 2021**

(54) **HEADSET**
(71) Applicant: **Hanbing Liu**, Chibi (CN)
(72) Inventor: **Hanbing Liu**, Chibi (CN)
(**) Term: **15 Years**
(21) Appl. No.: **29/698,416**
(22) Filed: **Jul. 16, 2019**
(30) **Foreign Application Priority Data**
Jun. 21, 2019 (CN) 2019 3 0325655
(51) **LOC (13) Cl.** **14-01**
(52) **U.S. Cl.**
USPC **D14/205**
(58) **Field of Classification Search**
USPC D14/205, 188, 192; 381/380, 381, 374;
455/90.3, 575.1, 569.1
CPC H04R 25/00; H04R 25/02; H04R 1/1066;
H04R 5/033; H04R 5/0335; H04R
1/1016; H04R 1/1091
See application file for complete search history.

(56) **References Cited**

U.S. PATENT DOCUMENTS

D286,632 S * 11/1986 Teunis D14/205
D328,461 S * 8/1992 Daido D14/205
D333,137 S * 2/1993 Burke D14/206
D351,597 S * 10/1994 Nakamura D14/205
D420,356 S * 2/2000 Suzuki D14/205
D563,382 S * 3/2008 Wikel D14/205
D635,959 S * 4/2011 Hutchieson D14/205
D639,776 S * 6/2011 Arimoto D14/205
D664,118 S * 7/2012 Tappeiner D14/205
8,314,883 B2 * 11/2012 Richardson H04M 1/0214
348/376
8,325,962 B2 * 12/2012 Ishida H04R 5/0335
381/370
D674,372 S * 1/2013 Kelly D14/205

8,737,668 B1 * 5/2014 Blair H04R 1/1066
381/378
D716,762 S * 11/2014 Greve D14/206
D719,136 S * 12/2014 Schaal D14/206
D721,052 S * 1/2015 Carr D14/205
D722,996 S * 2/2015 Doty D14/205
D727,287 S * 4/2015 Ishikura D14/205
D728,512 S * 5/2015 Nakagawa D14/205
D734,297 S * 7/2015 Sasaki D14/205
D737,799 S * 9/2015 Carr D14/205
D741,289 S * 10/2015 Schaal D14/205
D752,017 S * 3/2016 Daniel D14/205
D758,337 S * 6/2016 Szymanski D14/205
D758,990 S * 6/2016 Jiang D14/205
D760,687 S * 7/2016 Brunner D14/205
D761,761 S * 7/2016 Ando D14/205

(Continued)

FOREIGN PATENT DOCUMENTS

CN 305912553 * 7/2020

Primary Examiner — Paula Allen Greene
(74) *Attorney, Agent, or Firm* — ZANIP

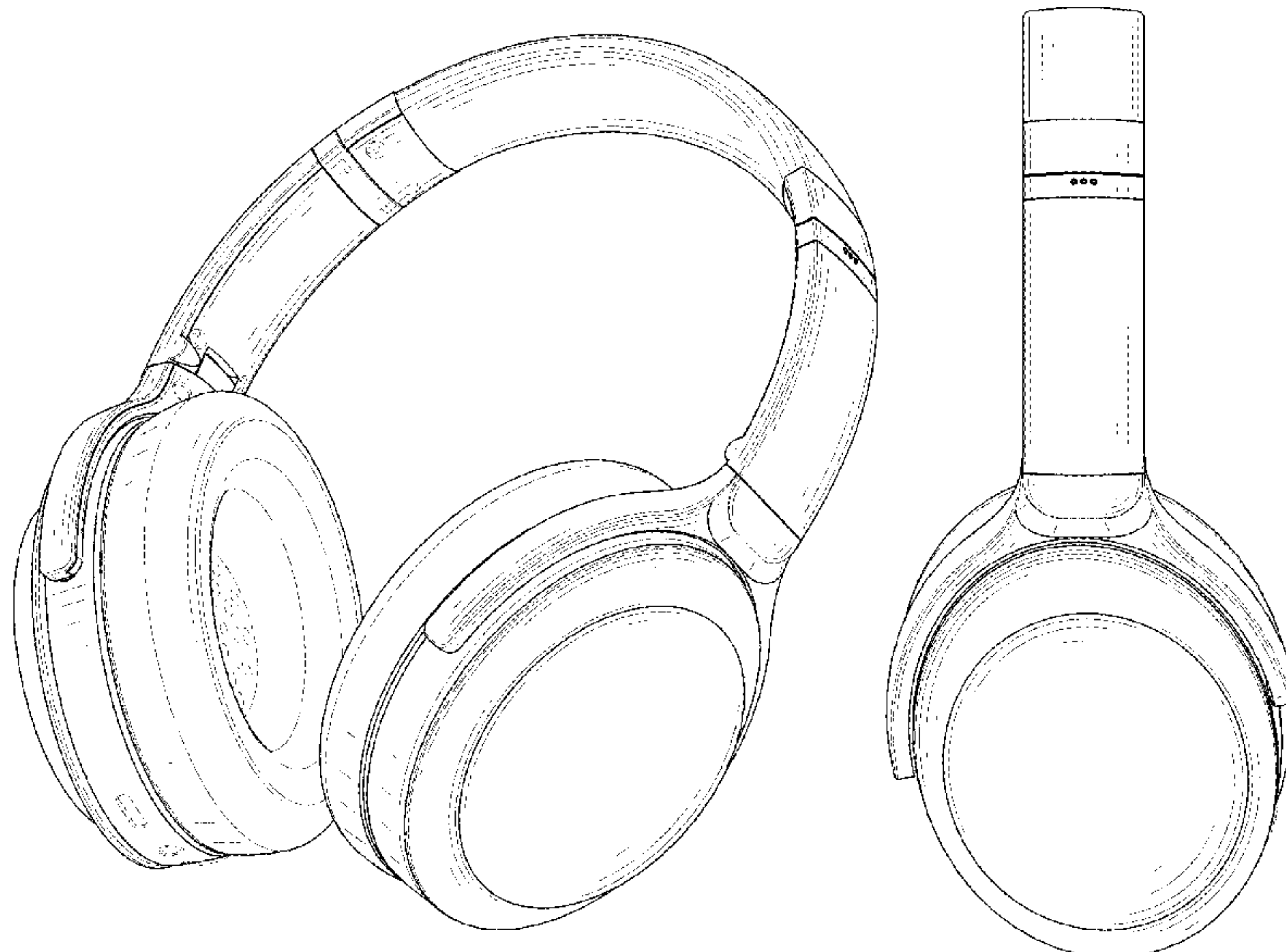
(57) **CLAIM**

The ornamental design for a headset, as shown and described.

DESCRIPTION

FIG. 1 is a front perspective view of a headset, showing my new design;
FIG. 2 is a back perspective view thereof;
FIG. 3 is a front view thereof;
FIG. 4 is a back view thereof;
FIG. 5 is a left side view thereof;
FIG. 6 is a right side view thereof;
FIG. 7 is a top view thereof; and,
FIG. 8 is a bottom view thereof.
The broken lines in the figures illustrate portions of the headset that form no part of the claimed design.

1 Claim, 8 Drawing Sheets



(56)

References Cited

U.S. PATENT DOCUMENTS

D763,223 S *	8/2016	Czaniecki	D14/205	D856,303 S *	8/2019	Ando	D14/205
D765,055 S *	8/2016	Hsieh	D14/205	D871,367 S *	12/2019	Zhijun	D14/205
D766,870 S *	9/2016	Catalano	D14/205	D885,363 S *	5/2020	Li	D14/205
D768,110 S *	10/2016	Suzuki	D14/205	D888,008 S *	6/2020	Yook	D14/205
D784,956 S *	4/2017	Homewood	D14/205	D890,123 S *	7/2020	Yoshimura	D14/205
D787,470 S *	5/2017	Kelly	D14/205	D892,078 S *	8/2020	He	D14/205
D789,327 S *	6/2017	Miyake	D14/205	D892,079 S *	8/2020	Wu	D14/205
D791,103 S *	7/2017	Brunner	D14/205	2001/0017925 A1 *	8/2001	Ceravolo	H04M 1/05 381/370
D791,733 S *	7/2017	Brunner	D14/205	2004/0216946 A1 *	11/2004	Lenhard-Backhaus	H04R 1/1066 181/129
D800,691 S *	10/2017	Ando	D14/205	2008/0069391 A1 *	3/2008	Steyn	H04R 1/1083 381/371
D806,685 S *	1/2018	Park	D14/223	2010/0034414 A1 *	2/2010	Miyata	H04R 5/0335 381/374
D811,364 S *	2/2018	Park	D14/205	2010/0310093 A1 *	12/2010	Semcken	H04R 1/1058 381/104
D816,061 S *	4/2018	Ando	D14/205	2014/0205129 A1 *	7/2014	Blair	H04R 5/0335 381/378
D817,303 S *	5/2018	Tragatschnig	D14/205	2016/0142813 A1 *	5/2016	Honda	H04R 1/1008 381/370
D826,210 S *	8/2018	Chong	D14/205				
D834,260 S *	11/2018	Garcia Mansilla	D29/112				
D836,084 S *	12/2018	Xie	D14/205				
D851,627 S *	6/2019	ter Laag	D14/205				
D852,163 S *	6/2019	Nagamine	D14/204				
D852,776 S *	7/2019	Zhu	D14/205				
D852,777 S *	7/2019	Park	D14/206				

* cited by examiner



FIG. 1



FIG. 2



FIG. 3



FIG. 4

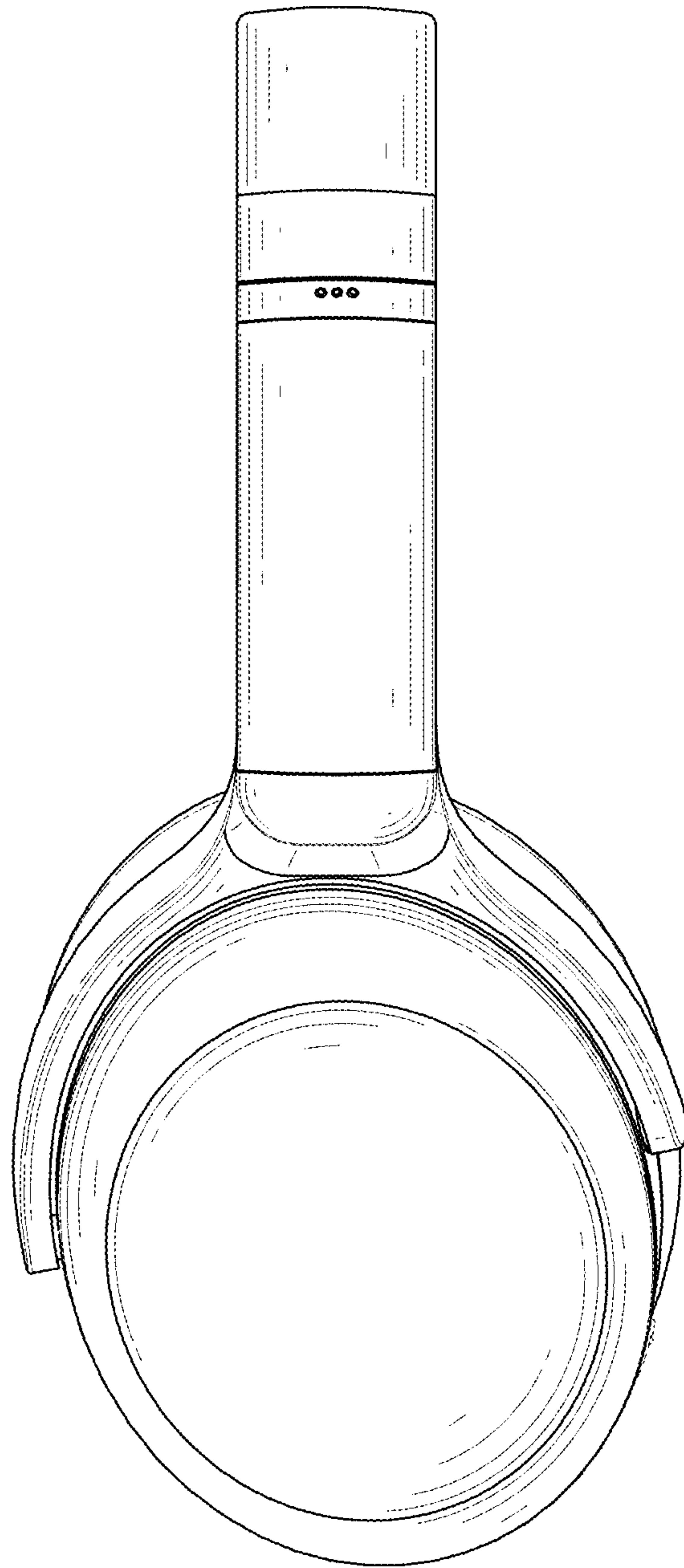


FIG. 5

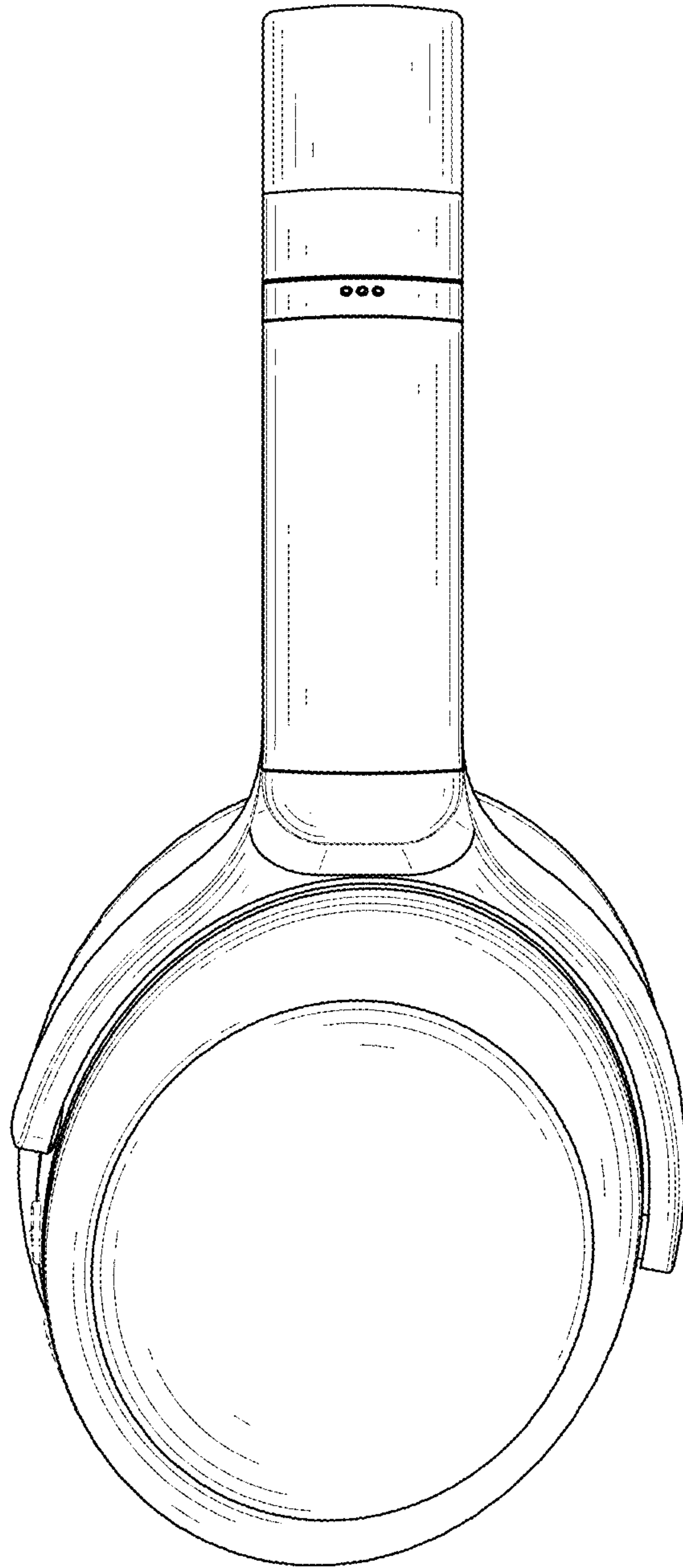


FIG. 6

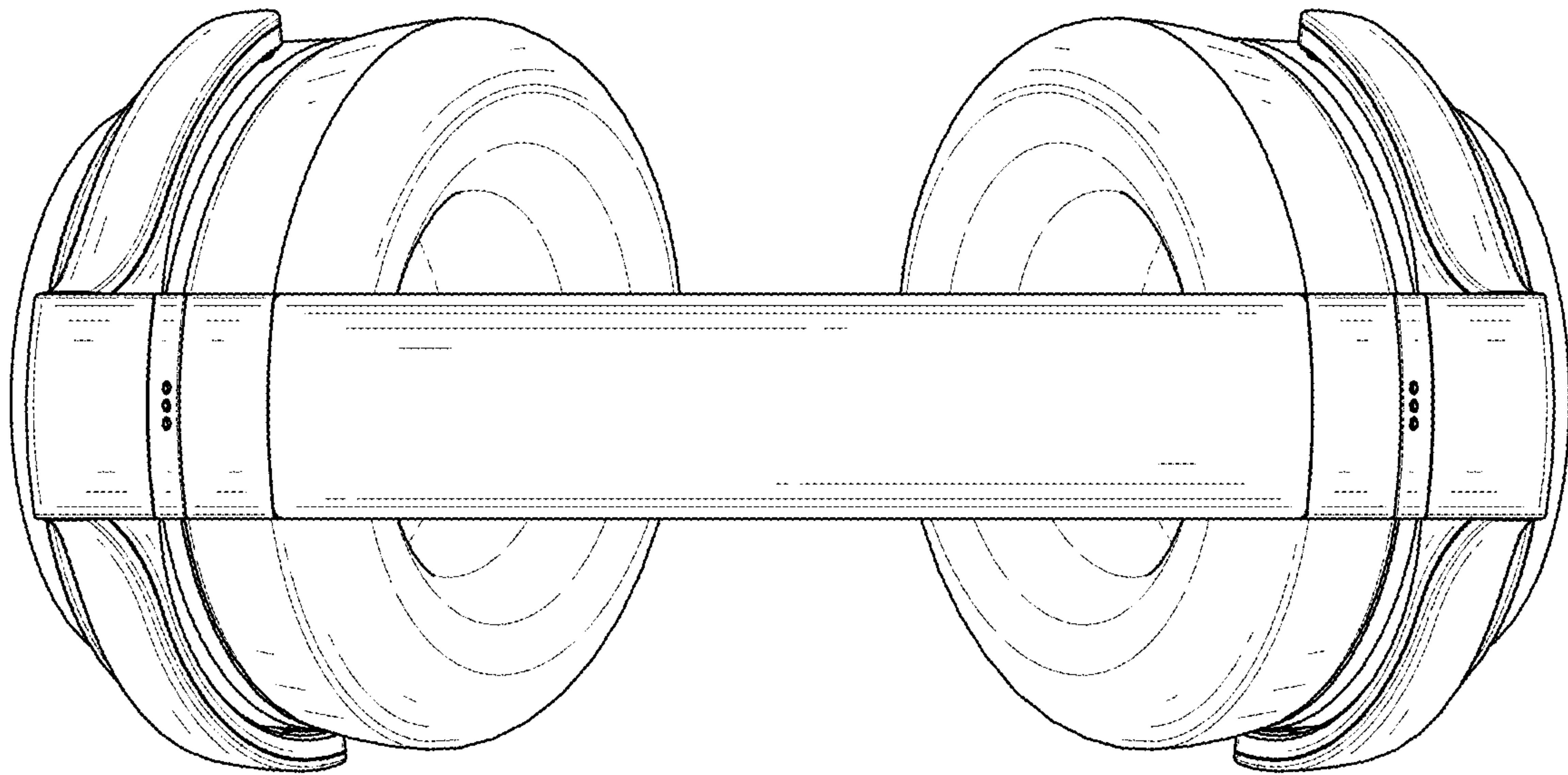


FIG. 7

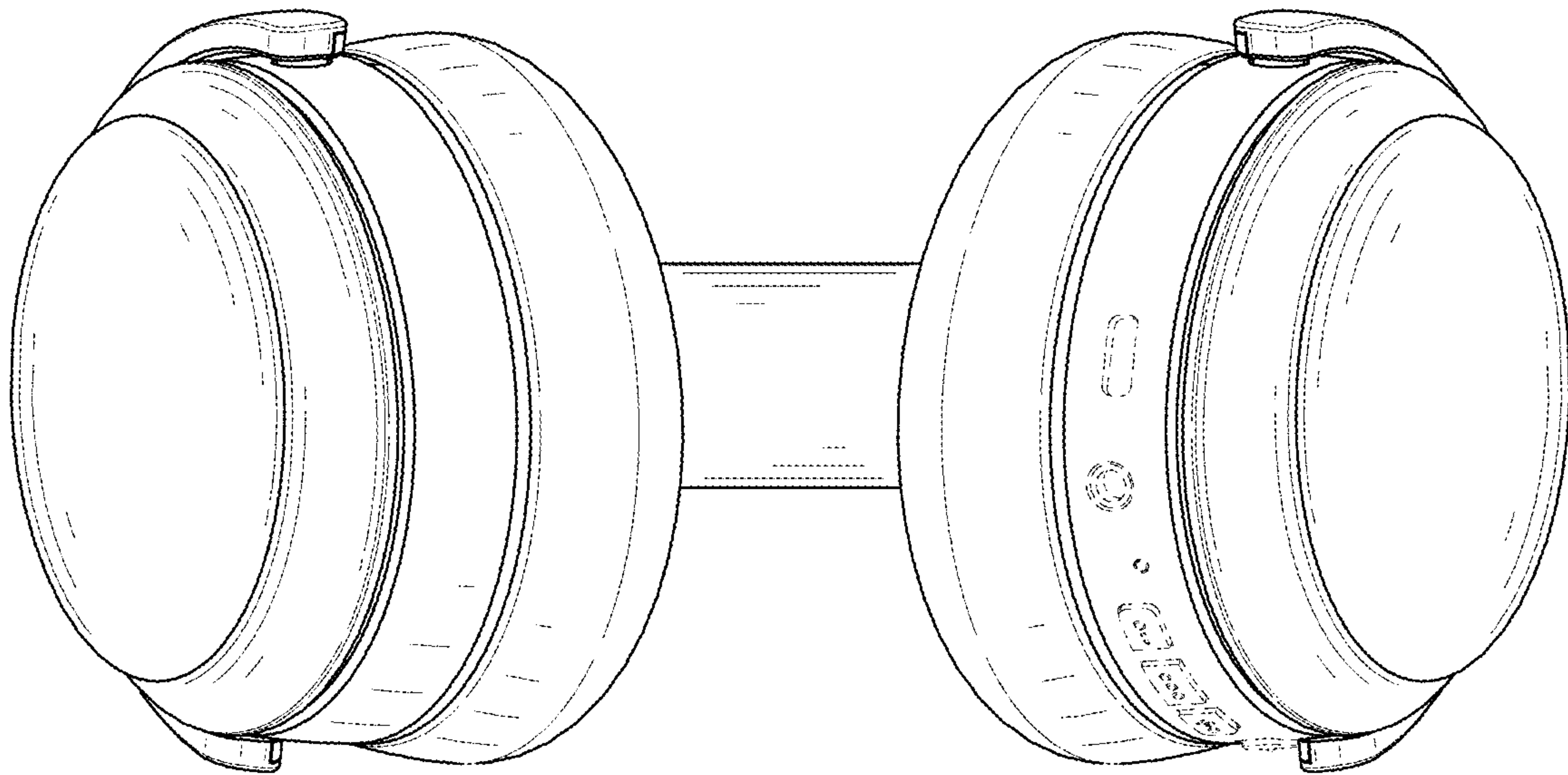


FIG. 8