



US00D907000S

(12) **United States Design Patent** (10) **Patent No.:** **US D907,000 S**  
**Nosál** (45) **Date of Patent:** **\*\* Jan. 5, 2021**

(54) **INTERCOMMUNICATION DEVICE**

(71) Applicant: **Axis AB**, Lund (SE)

(72) Inventor: **Kryštof Nosál**, Lund (SE)

(73) Assignee: **AXIS AB**, Lund (SE)

(\*\*) Term: **15 Years**

(21) Appl. No.: **29/700,905**

(22) Filed: **Aug. 6, 2019**

(30) **Foreign Application Priority Data**

Feb. 8, 2019 (EM) ..... 006202099

(51) **LOC (13) Cl.** ..... **14-03**

(52) **U.S. Cl.**  
USPC ..... **D14/159**

(58) **Field of Classification Search**  
USPC ..... D14/302-307, 900-902, 159; D13/163;  
D20/10; D21/332, 325, 369, 370;  
D99/28; D6/397, 466; 194/206;  
361/679.01, 679.02, 679.04, 679.21,  
361/679.57, 725  
CPC ..... G06Q 20/18; G06Q 20/10; G06Q 20/123;  
G06Q 20/20; G06Q 30/02; G06Q 30/06;  
A47F 9/047

See application file for complete search history.

(56) **References Cited**

**U.S. PATENT DOCUMENTS**

D561,734 S \* 2/2008 Yamada ..... D14/159  
D562,306 S \* 2/2008 Jeong ..... D14/159  
D588,574 S \* 3/2009 Takahata ..... D14/159  
D597,062 S \* 7/2009 Lando ..... D14/159  
D729,760 S \* 5/2015 Takahata ..... D14/159  
D761,752 S \* 7/2016 Takahata ..... D14/159  
D761,757 S \* 7/2016 Michielan ..... D14/159

D766,204 S \* 9/2016 Takahata ..... D14/159  
D769,210 S \* 10/2016 Haro ..... D14/159  
D771,008 S \* 11/2016 Takahata ..... D14/159  
D788,061 S \* 5/2017 Siminoff ..... D14/159  
D820,804 S \* 6/2018 Nagatsuka ..... D14/159  
D820,805 S \* 6/2018 Nagatsuka ..... D14/159  
D842,263 S \* 3/2019 Takahata ..... D14/159  
D848,392 S \* 5/2019 Zeng ..... D14/159  
D864,146 S \* 10/2019 Takahata ..... D14/159  
D869,424 S \* 12/2019 Takahata ..... D14/159

**FOREIGN PATENT DOCUMENTS**

CN 304726589 S 7/2018  
CN 304887489 S 11/2018  
CN 304932638 S 12/2018

**OTHER PUBLICATIONS**

Translated Search Report from corresponding Taiwanese Design Patent Application No. 108304683, dated Apr. 19, 2020, 1 page.

\* cited by examiner

*Primary Examiner* — Austin Murphy  
(74) *Attorney, Agent, or Firm* — Tucker Ellis LLP

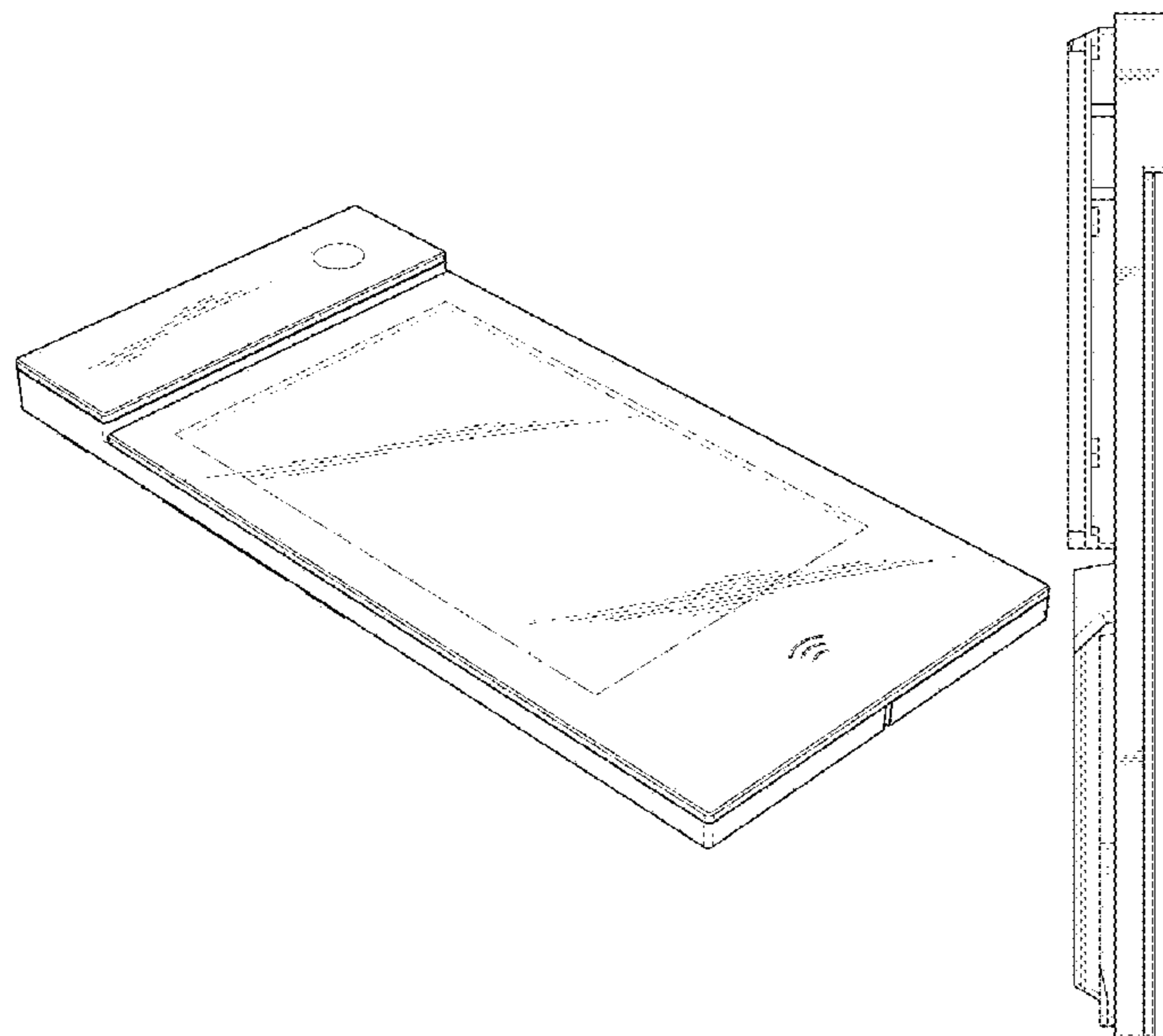
(57) **CLAIM**

The ornamental design for an intercommunication device, as shown and described.

**DESCRIPTION**

FIG. 1 is a front-right-bottom perspective view of an intercommunication device showing my new design;  
FIG. 2 is a front view thereof;  
FIG. 3 is a rear view thereof;  
FIG. 4 is a right side view thereof;  
FIG. 5 is a left side view thereof;  
FIG. 6 is a top view thereof; and,  
FIG. 7 is a bottom view thereof.

**1 Claim, 5 Drawing Sheets**



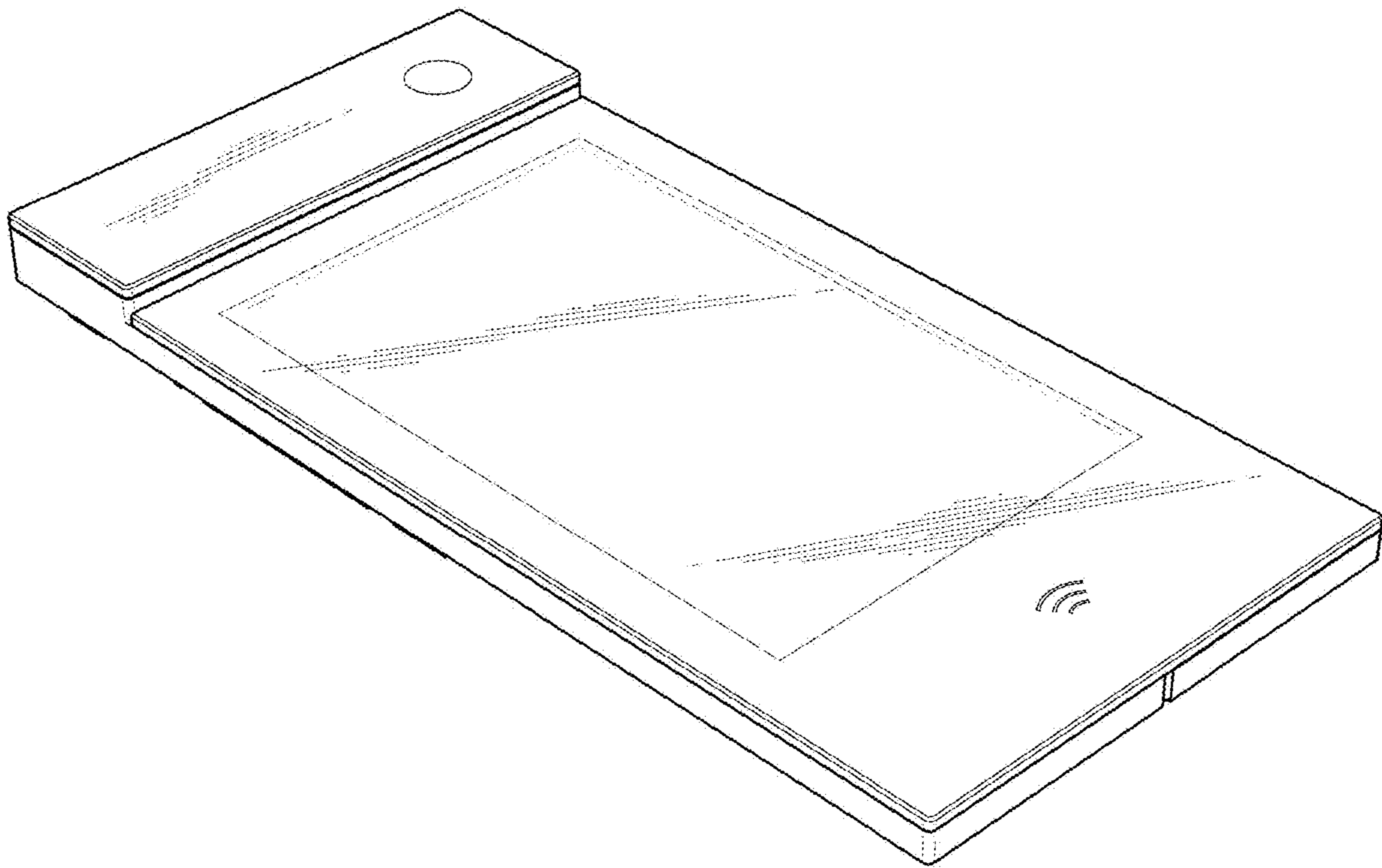


FIG. 1

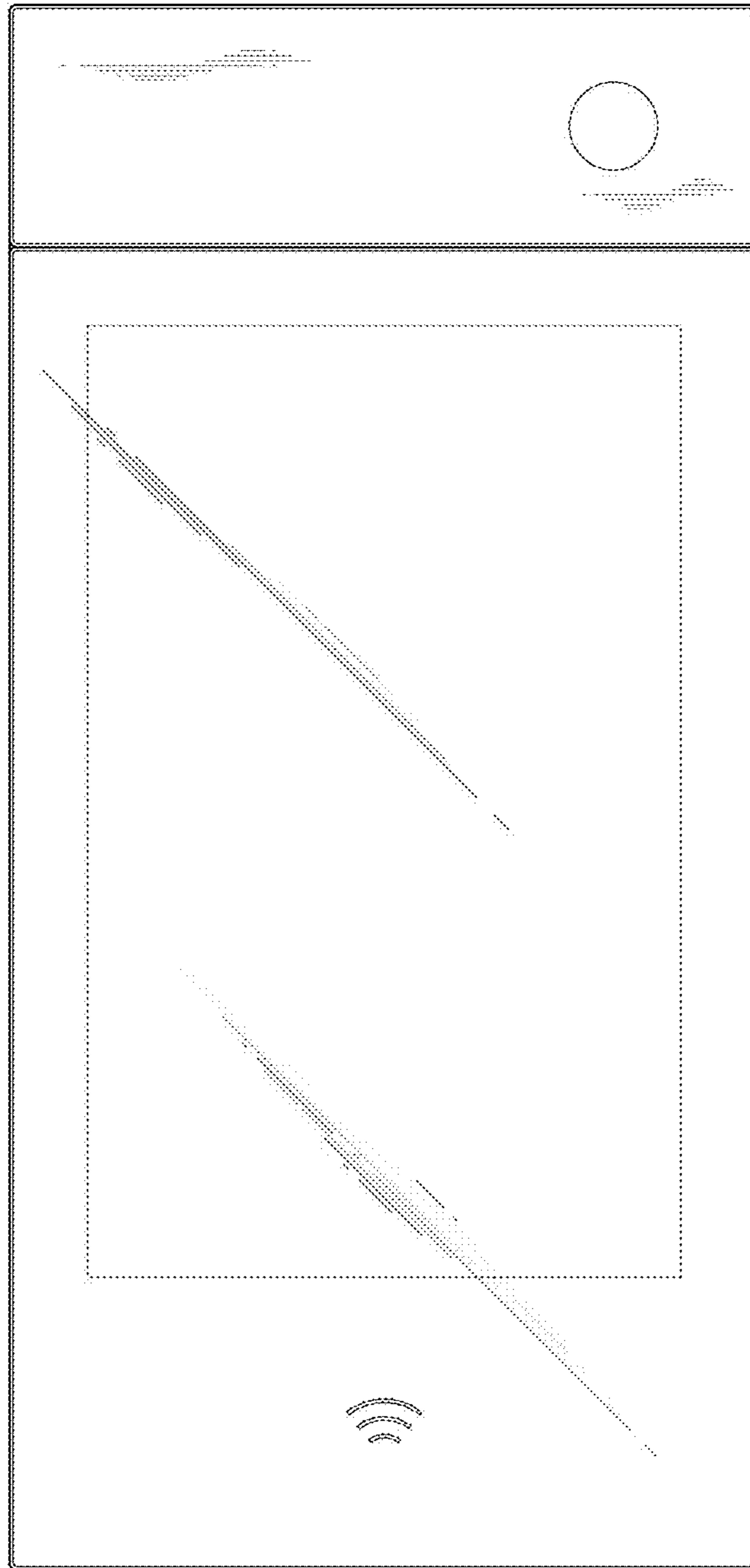


FIG. 2

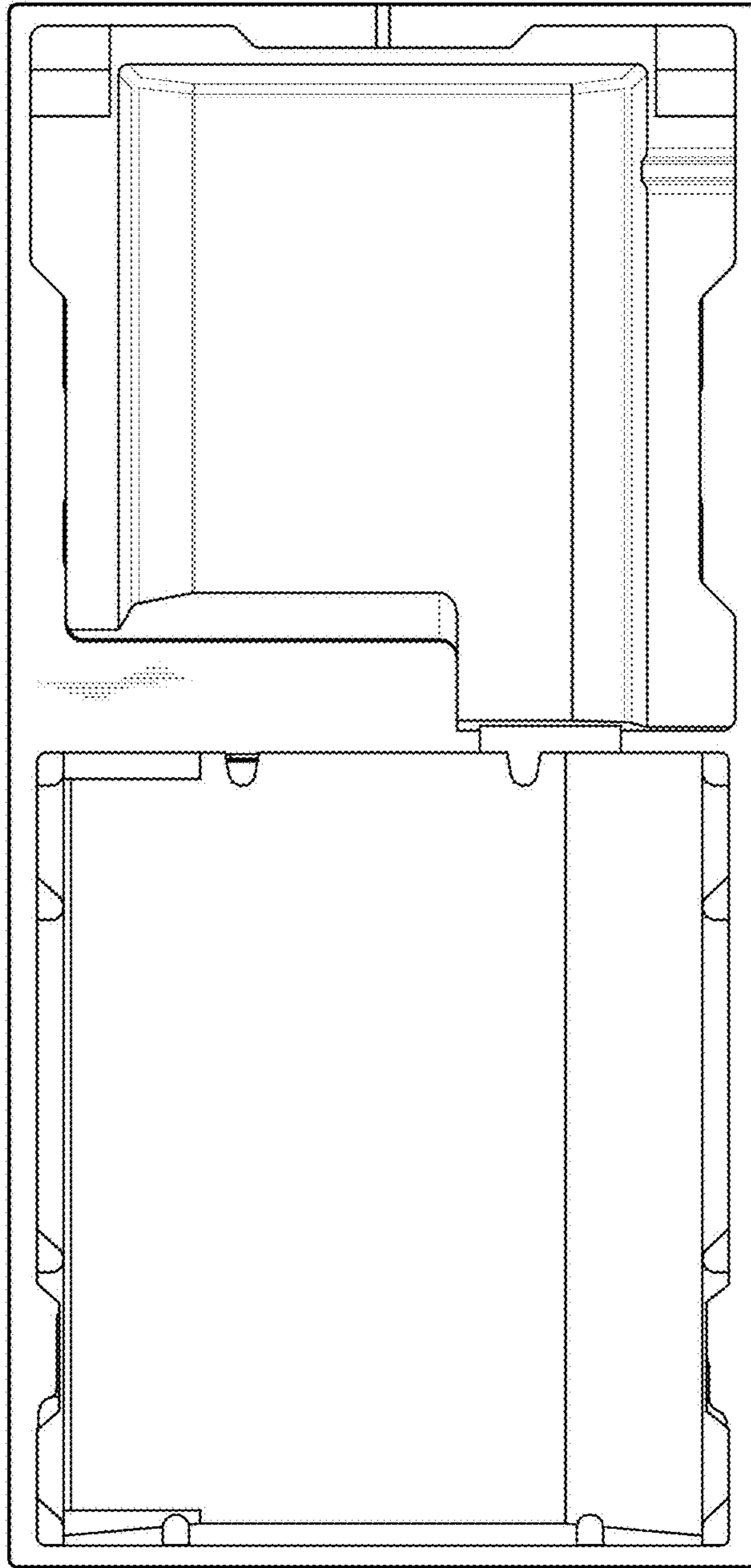


FIG. 3

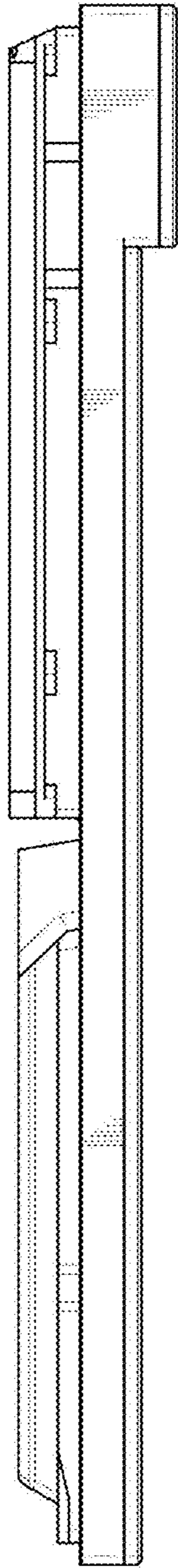


FIG. 4

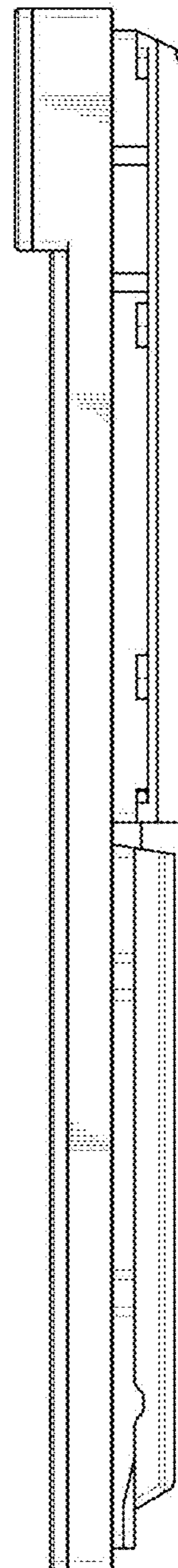


FIG. 5

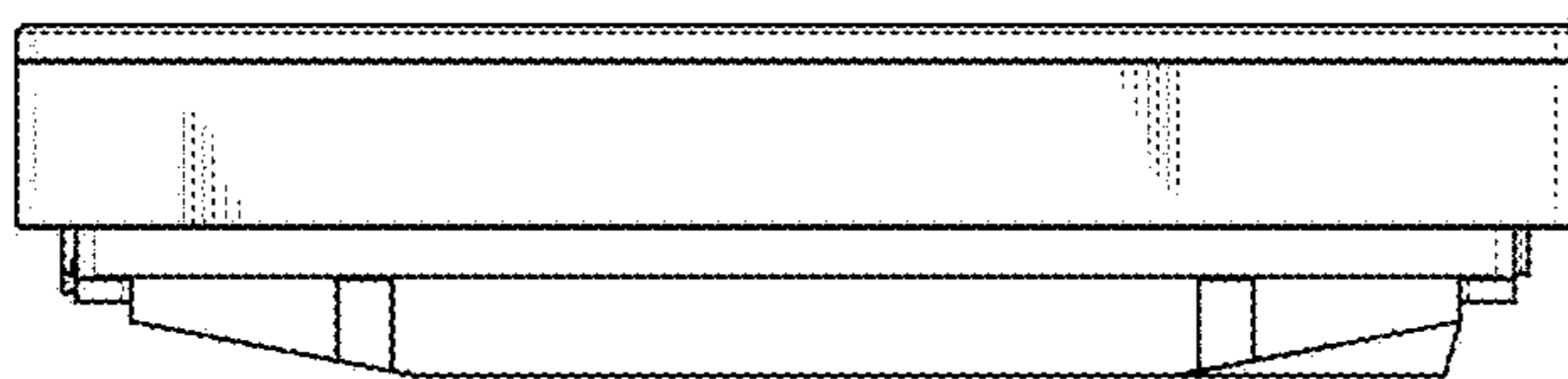


FIG. 6

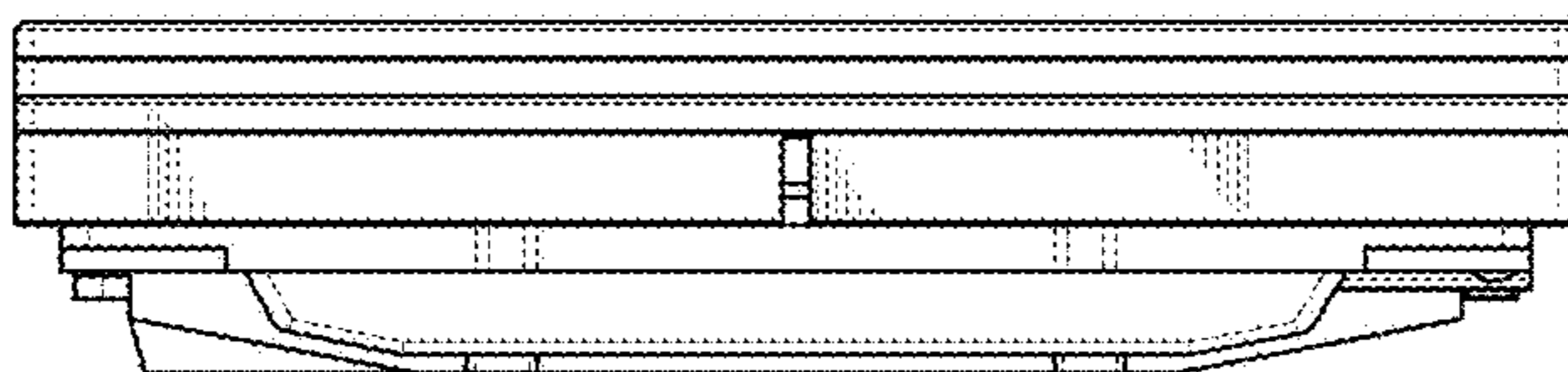


FIG. 7