



US00D906999S

(12) **United States Design Patent**
Chen

(10) **Patent No.:** **US D906,999 S**

(45) **Date of Patent:** **** Jan. 5, 2021**

(54) **CONTROL PANEL FOR IN-CAR
BLUETOOTH TRANSMITTER**

(71) Applicant: **Liangjun Chen**, Shenzhen (CN)

(72) Inventor: **Liangjun Chen**, Shenzhen (CN)

(**) Term: **15 Years**

(21) Appl. No.: **29/691,223**

(22) Filed: **May 14, 2019**

(30) **Foreign Application Priority Data**

Mar. 5, 2019 (CN) 2019 3 0088249

(51) **LOC (13) Cl.** **14-03**

(52) **U.S. Cl.**
USPC **D14/155**

(58) **Field of Classification Search**
USPC D14/167, 154, 168, 188, 496, 156, 160,
D14/161, 162, 163, 164, 165, 158, 341,
D14/346, 342, 345, 137, 155, 218, 225;
D16/208; D26/38; 455/351, 350;
D10/104.1, 106, 65

CPC H04B 1/385; H04M 1/6091; H04M 1/6066
See application file for complete search history.

(56) **References Cited**

U.S. PATENT DOCUMENTS

D711,322 S * 8/2014 McSweyn D13/144
D795,832 S * 8/2017 Du D14/155
D796,470 S * 9/2017 Du D14/155
D800,684 S * 10/2017 Xiao D14/155
D800,685 S * 10/2017 Xiao D14/155

D805,496 S * 12/2017 Yin D14/155
D808,430 S * 1/2018 Wang D14/496
D808,919 S * 1/2018 Yin D14/155
D808,920 S * 1/2018 Yin D14/155
D820,803 S * 6/2018 Hu D14/155
D836,593 S * 12/2018 Hu D14/155
D840,937 S * 2/2019 Wang D13/144
D885,361 S * 5/2020 Wang D14/155

* cited by examiner

Primary Examiner — Austin Murphy

(74) *Attorney, Agent, or Firm* — Raymond Y. Chan;
David and Raymond Patent Firm

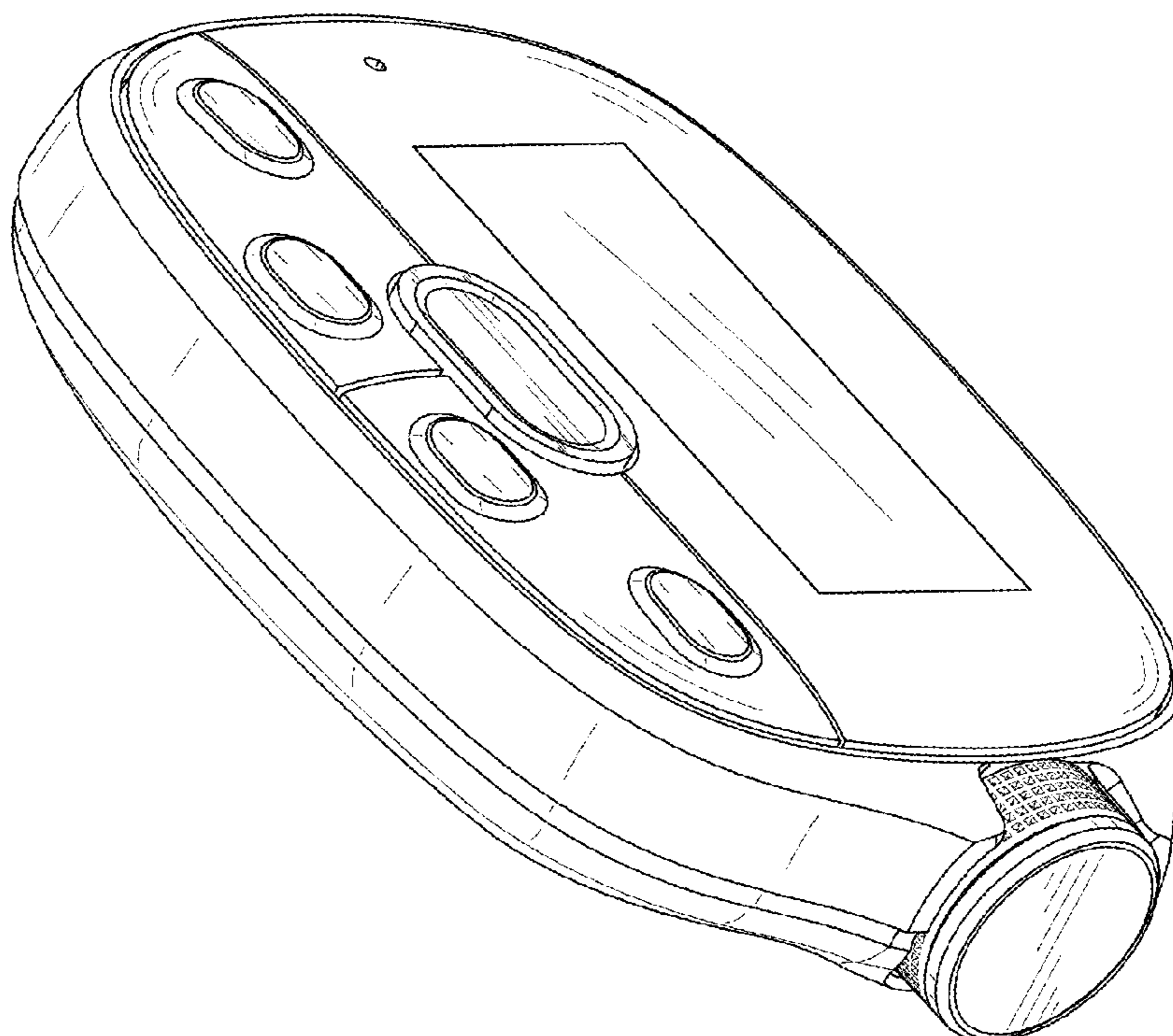
(57) **CLAIM**

The ornamental design for a control panel for in-car bluetooth transmitter, as shown and described.

DESCRIPTION

FIG. 1 is a perspective view of the control panel showing my new design;
FIG. 2 is a front view thereof;
FIG. 3 is a rear view thereof;
FIG. 4 is a left view thereof;
FIG. 5 is a right view thereof;
FIG. 6 is a top view thereof;
FIG. 7 is a bottom view thereof; and,
FIG. 8 is a perspective view thereof, illustrating the control panel connected to an in-car bluetooth transmitter.
The broken lines represent unclaimed portions of the design article. All of the broken lines forms no part of the claimed design.

1 Claim, 8 Drawing Sheets



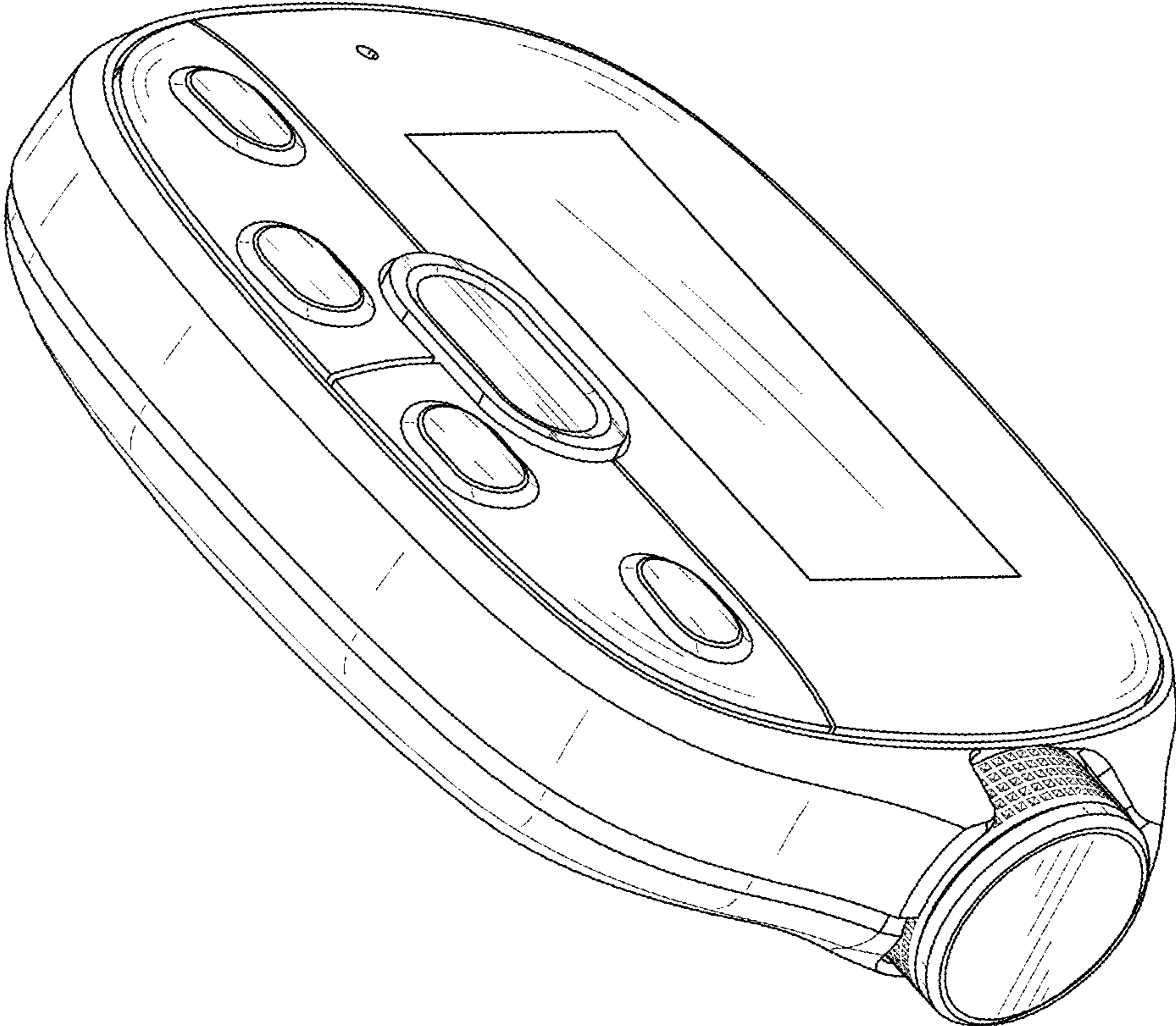


FIG.1

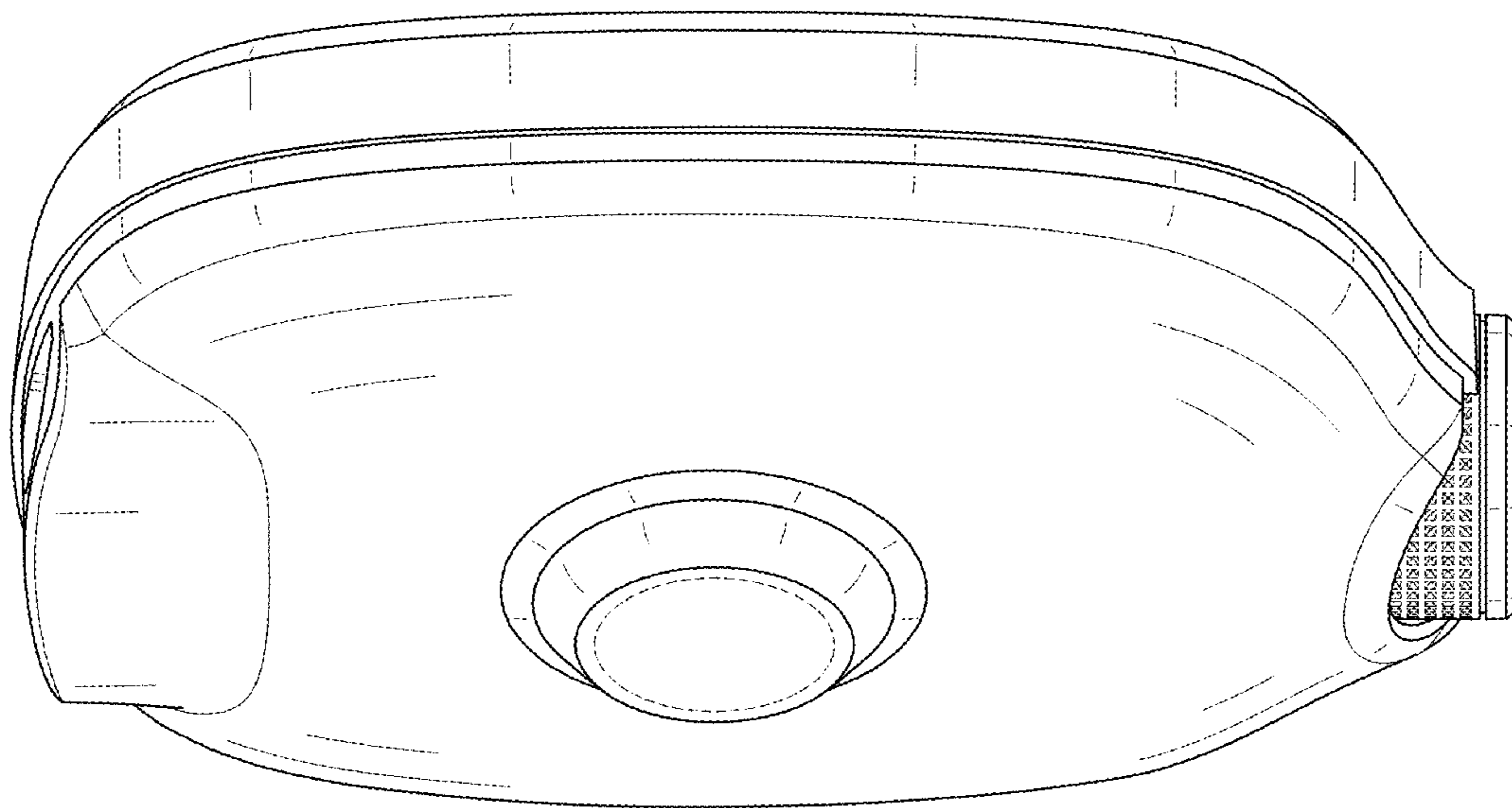


FIG.2

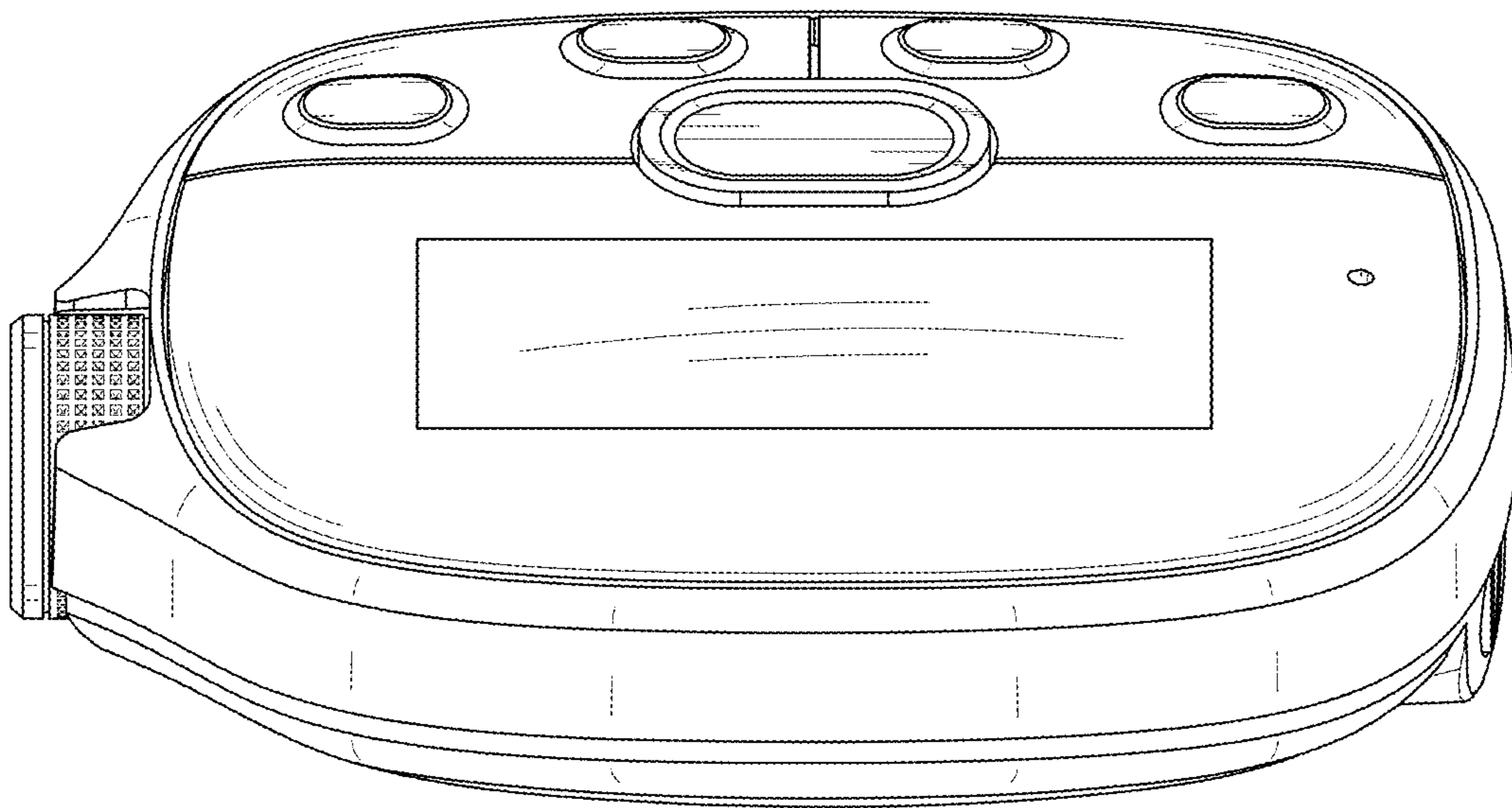


FIG.3

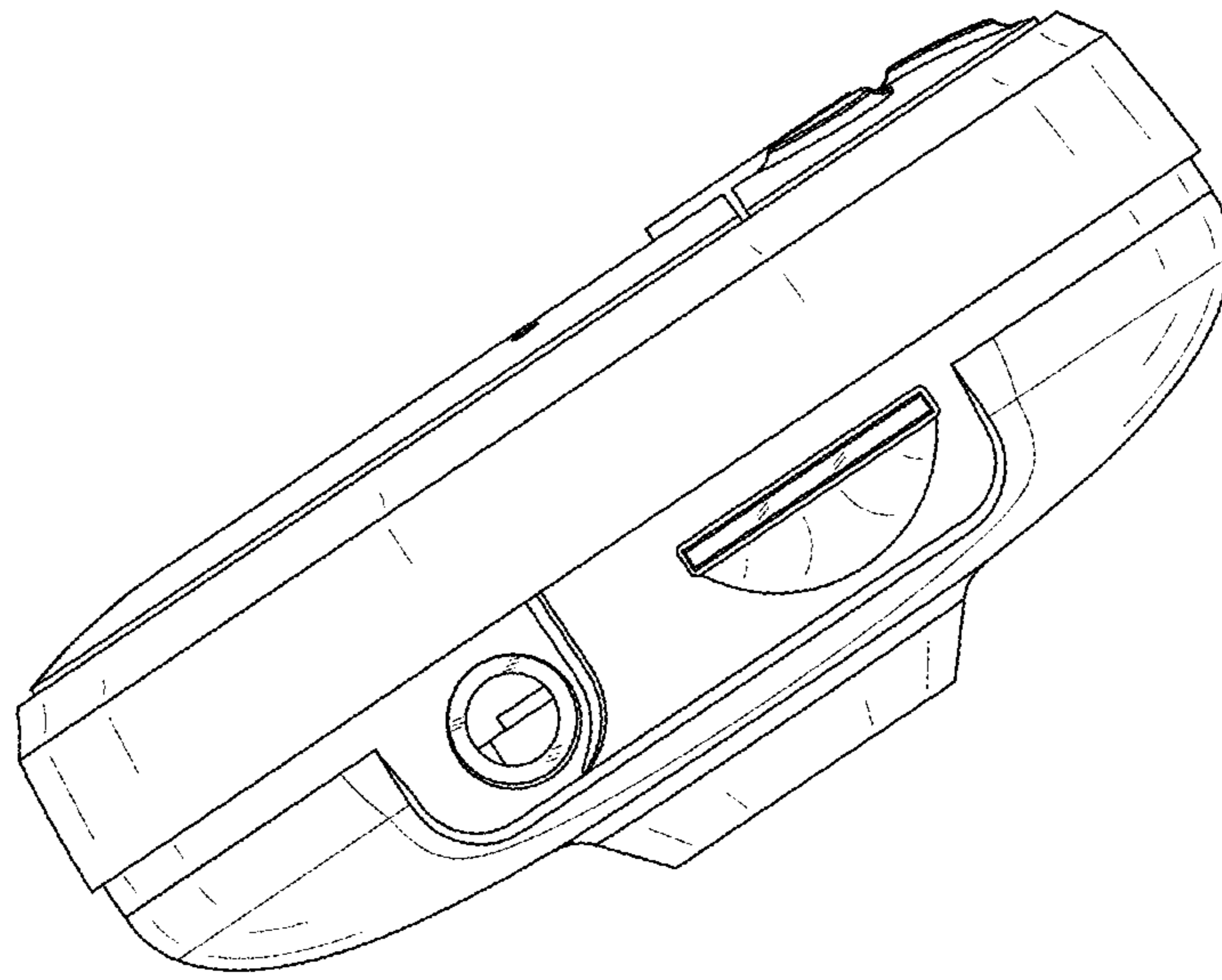


FIG.4

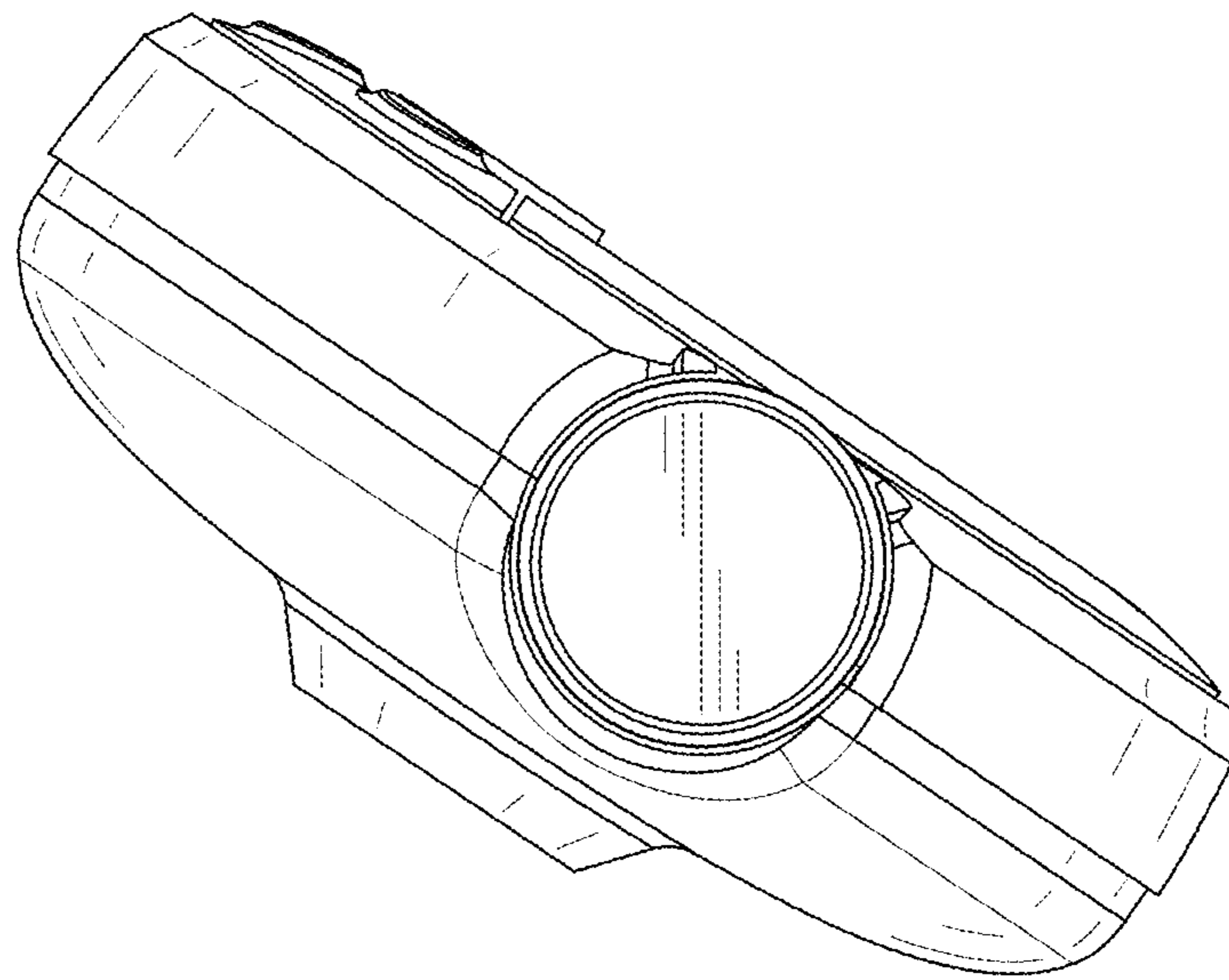


FIG.5

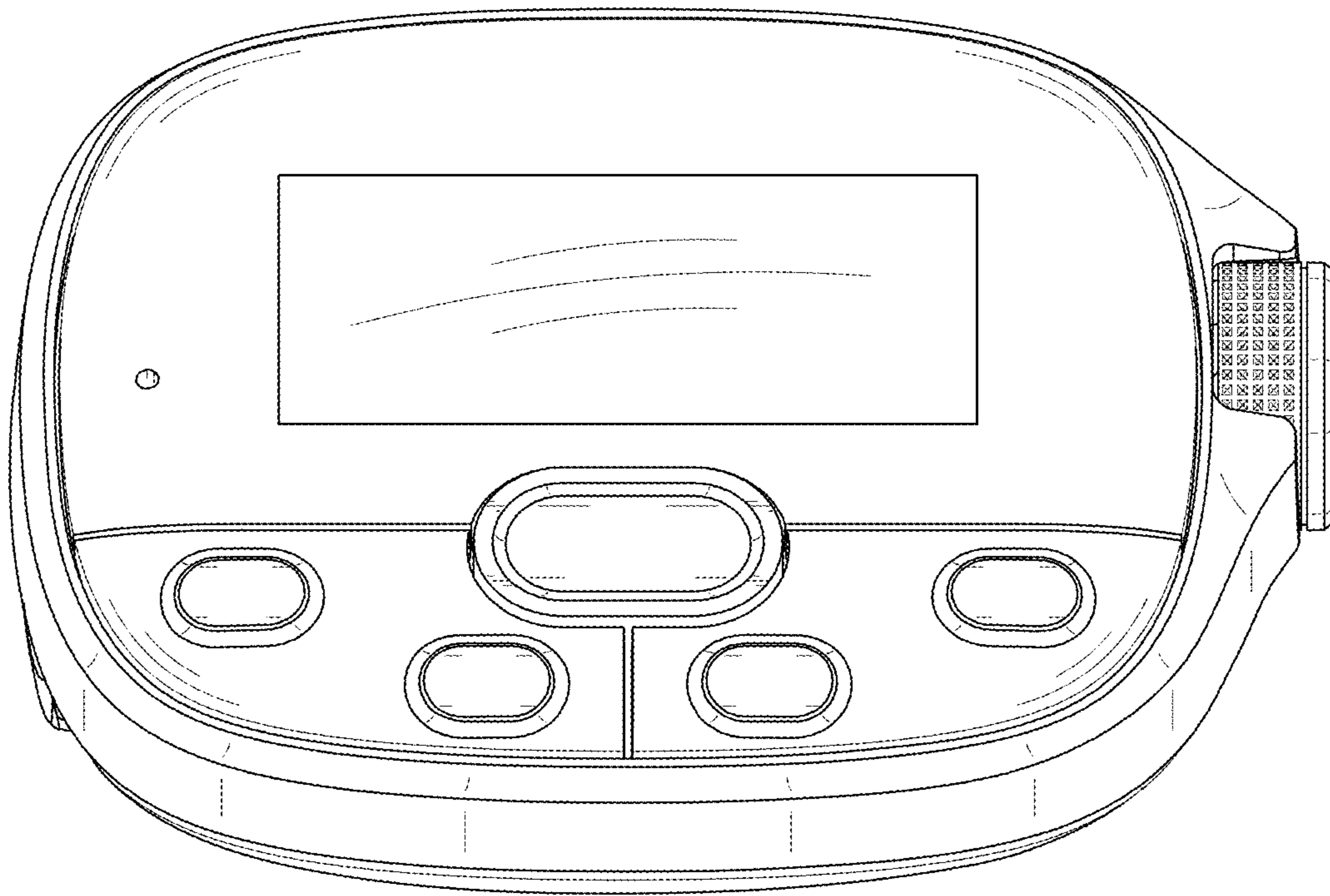


FIG.6

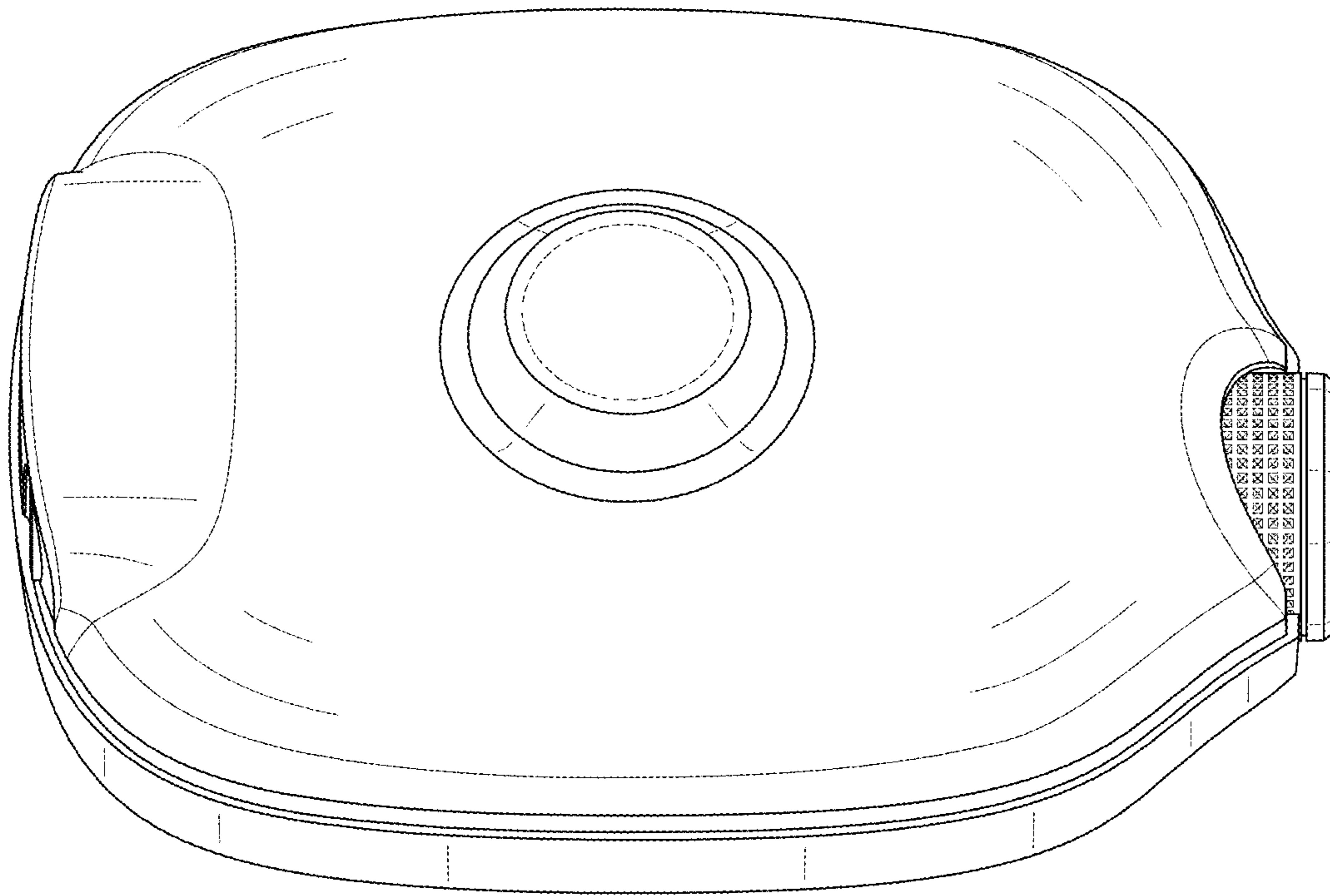


FIG.7

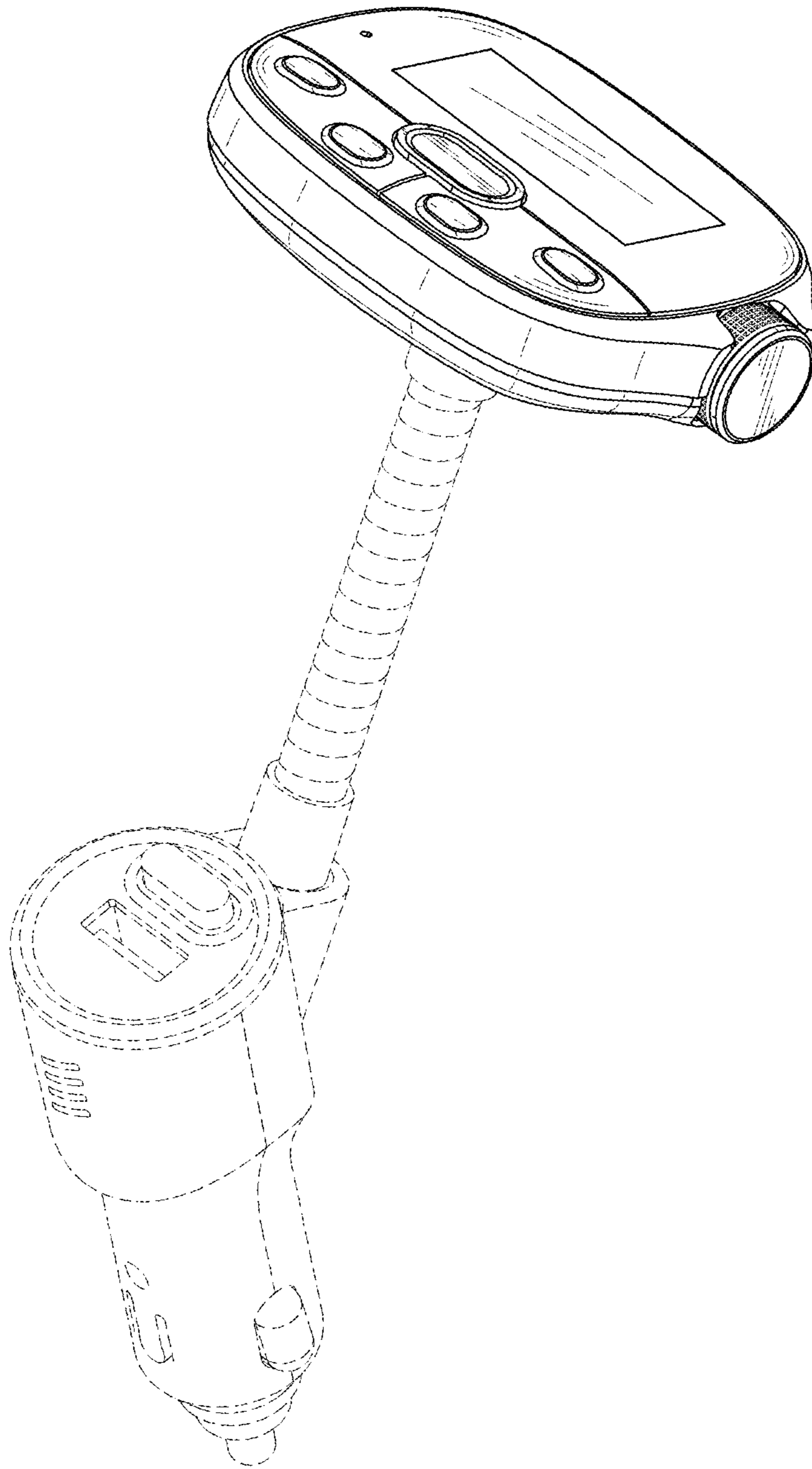


FIG.8