



US00D906997S

(12) **United States Design Patent**
Tani

(10) **Patent No.:** **US D906,997 S**

(45) **Date of Patent:** **** Jan. 5, 2021**

- (54) **TELEPHONE BASE UNIT**
- (71) Applicant: **Panasonic Intellectual Property Management Co., Ltd., Osaka (JP)**
- (72) Inventor: **Atsushi Tani, Kyoto-fu (JP)**
- (73) Assignee: **Panasonic Intellectual Property Management Co., Ltd., Osaka (JP)**
- (**) Term: **15 Years**

6,088,447 A *	7/2000	Aggus	H04M 1/0295 379/428.03
D482,342 S *	11/2003	Weidinger	D14/151
D490,394 S *	5/2004	Taniguchi	D14/151
D499,078 S *	11/2004	Abe	D14/151
D499,079 S	11/2004	Abe et al.	
D512,705 S *	12/2005	Bhavnani	D14/151
D513,412 S *	1/2006	Kodera	D14/151
D530,303 S *	10/2006	Tang	D14/151
D550,195 S *	9/2007	Ju	D14/151
D551,203 S *	9/2007	Abe	D14/151
D558,180 S *	12/2007	Daly	D14/151
D558,727 S *	1/2008	Daly	D14/149

(Continued)

- (21) Appl. No.: **29/711,135**
- (22) Filed: **Oct. 29, 2019**
- (51) **LOC (13) Cl.** **14-03**
- (52) **U.S. Cl.**
USPC **D14/151**
- (58) **Field of Classification Search**
USPC ... D14/140, 140.1, 140.7, 140.8, 141.2, 142,
D14/144, 147, 148, 149, 150, 151, 158,
D14/159, 188, 217, 240, 243, 247, 248,
D14/251, 299, 329, 462, 467, 471, 130,
D14/403, 338; D21/517; D24/165
CPC H04M 1/00; H04M 1/003; H04M 1/02;
H04M 1/0289; H04M 1/0297; H04M
1/0214; H04M 1/03; H04M 1/23; H04M
1/253; H04M 1/2535; H04M 7/006
See application file for complete search history.

(56) **References Cited**
U.S. PATENT DOCUMENTS

D306,444 S *	3/1990	Fried	D14/151
D313,595 S *	1/1991	Morooka	D14/144
D319,829 S *	9/1991	Wu	D14/151
D332,263 S *	1/1993	Taniguchi	D14/151
D368,091 S *	3/1996	Yoshihiko	D14/151
D375,095 S *	10/1996	Hillenmayer	D14/151
D387,056 S *	12/1997	Yoneyama	D14/151
D405,447 S *	2/1999	Landry	D14/151
D427,985 S *	7/2000	Takayama	D14/130

OTHER PUBLICATIONS

Telephones. (Design—© Questel) orbit.com. [online PDF] 56 pgs. Print Dates Range Jun. 12, 19912 through Dec. 20, 2019 [Oct. 23, 2020] <https://www.orbit.com/export/QPTUJ214/pdf2/ed7d6720-d77d-4016-ac21-alac3976dd8d-221119.pdf>.*

Primary Examiner — Marie D. Fast Horse
(74) Attorney, Agent, or Firm — Brinks Gilson & Lione

(57) **CLAIM**

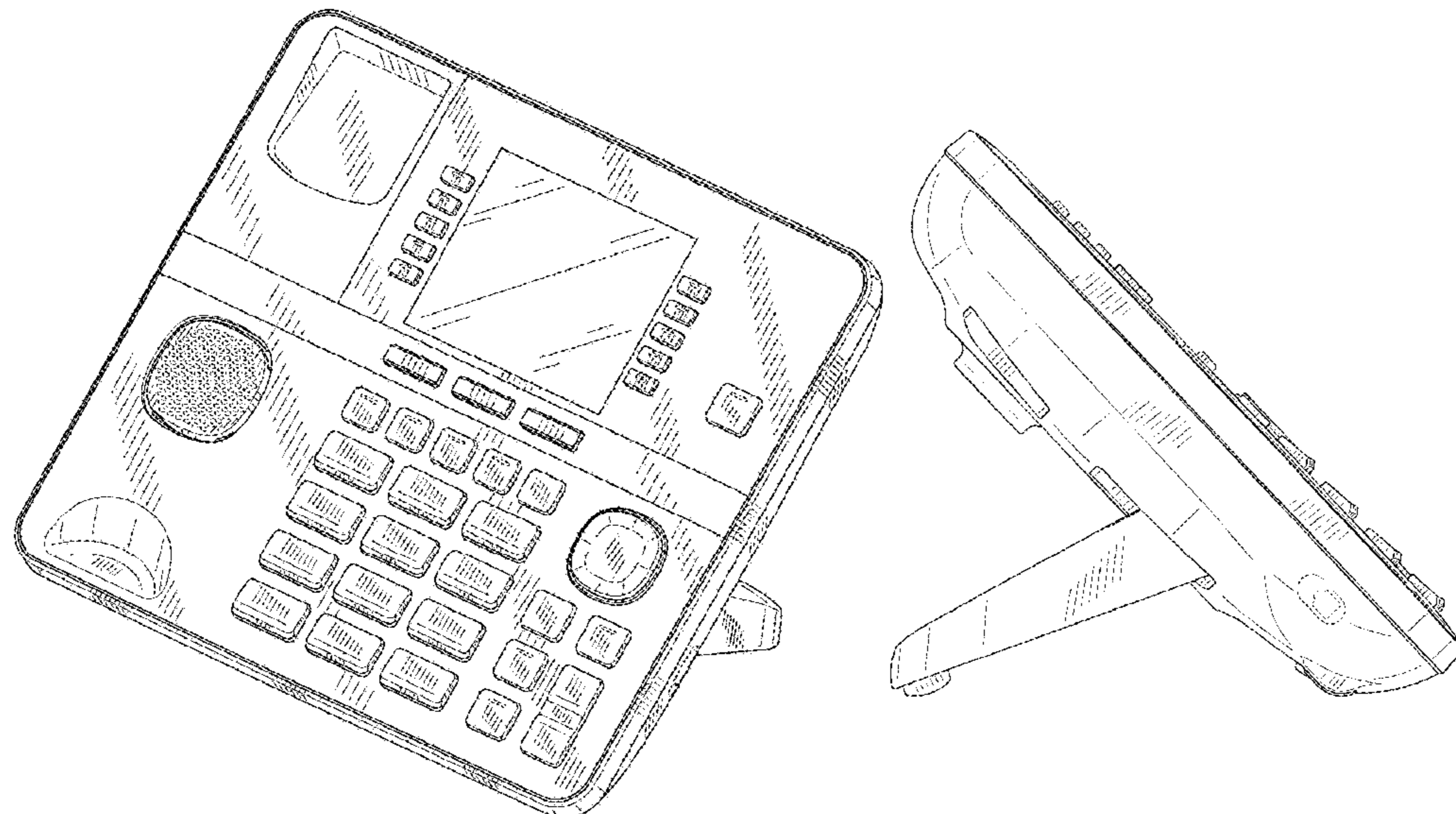
I claim the ornamental design for a telephone base unit, as shown and described.

DESCRIPTION

FIG. 1 is a top-front perspective view of a telephone base unit of the present invention;
FIG. 2 is a top-rear perspective view thereof;
FIG. 3 is a front view thereof;
FIG. 4 is a rear view thereof;
FIG. 5 is a left side view thereof;
FIG. 6 is a right side view thereof;
FIG. 7 is a top view thereof; and,
FIG. 8 is a bottom view thereof.

The broken lines in the drawings depict portions of the telephone base unit that form no part of the claimed design.

1 Claim, 8 Drawing Sheets



(56)

References Cited

U.S. PATENT DOCUMENTS

D558,729 S * 1/2008 Daly D14/151
 D558,730 S * 1/2008 Nakashima D14/151
 D565,020 S * 3/2008 Daly D14/149
 D575,262 S * 8/2008 Brown D14/151
 D575,263 S * 8/2008 Brown D14/151
 D576,146 S * 9/2008 Brown D14/151
 D576,998 S * 9/2008 Furuno D14/151
 D581,897 S * 12/2008 Katori D14/151
 D596,612 S * 7/2009 Akatsu D14/151
 D596,613 S * 7/2009 Akatsu D14/151
 D597,061 S * 7/2009 Akatsu D14/151
 D600,670 S * 9/2009 Akatsu D14/151
 D600,671 S * 9/2009 Akatsu D14/151
 D601,118 S * 9/2009 Akatsu D14/151
 D601,119 S * 9/2009 Akatsu D14/151
 D613,724 S * 4/2010 Kao D14/151
 D621,381 S * 8/2010 Akatsu D14/140
 D657,772 S * 4/2012 Shadovitz D14/150
 D658,627 S * 5/2012 Katori D14/142
 D664,519 S * 7/2012 Akatsu D14/142
 D664,520 S * 7/2012 Shadovitz D14/150
 D678,855 S * 3/2013 Shadovitz D14/150
 D709,852 S 7/2014 Yoshida
 D723,503 S 3/2015 Jeon et al.
 D739,373 S * 9/2015 Hillenmayer D14/144

D750,591 S 3/2016 Katori
 D753,624 S * 4/2016 Ji D14/151
 D769,839 S * 10/2016 Tani D14/144
 D771,005 S * 11/2016 Tani D14/142
 D781,809 S * 3/2017 Schwarz D14/151
 D781,810 S * 3/2017 Schwarz D14/151
 D782,994 S * 4/2017 Schwarz D14/151
 D784,283 S * 4/2017 Snyder D14/144
 D788,737 S * 6/2017 Takei D14/151
 D789,322 S * 6/2017 Ookawa D14/150
 9,762,709 B1 * 9/2017 Snyder H04M 1/02
 D829,189 S * 9/2018 Su D14/151
 D835,060 S * 12/2018 Peng D14/151
 D848,391 S * 5/2019 Li D14/151
 D851,617 S * 6/2019 Rodriguez D14/151
 D853,981 S * 7/2019 Nakano D14/151
 D865,701 S * 11/2019 Tani D14/151
 D877,711 S * 3/2020 Taniguchi D14/151
 D891,388 S * 7/2020 Zhang D14/151
 D891,389 S * 7/2020 Zhang D14/151
 D896,199 S * 9/2020 Rodriguez D14/151
 2009/0161862 A1 * 6/2009 Yoshida H04M 1/12
 379/436
 2009/0283655 A1 * 11/2009 Fukuda H04M 1/0297
 248/454
 2010/0322410 A1 * 12/2010 Lin H04M 1/0295
 379/428.03

* cited by examiner

FIG. 1

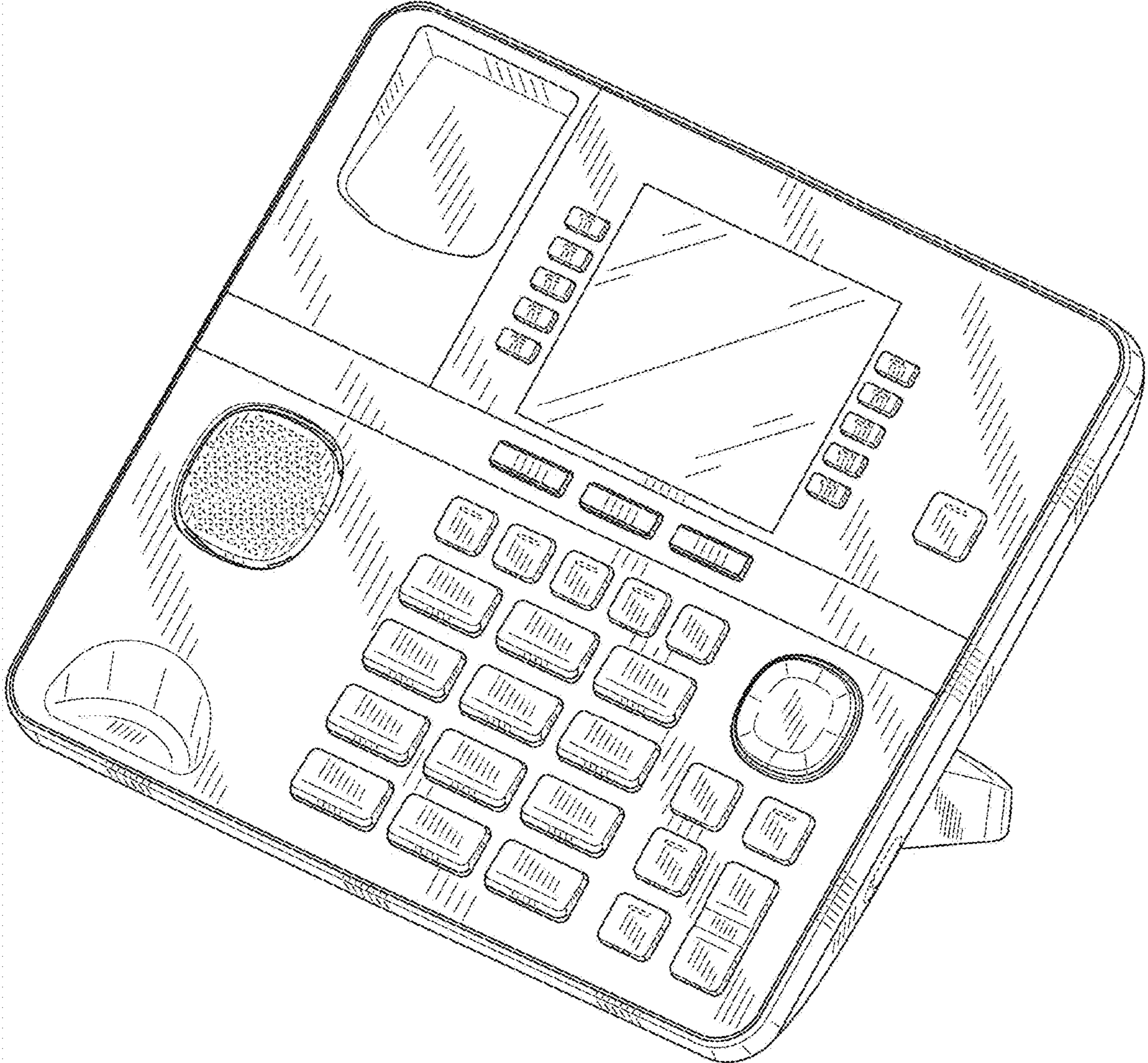


FIG. 2

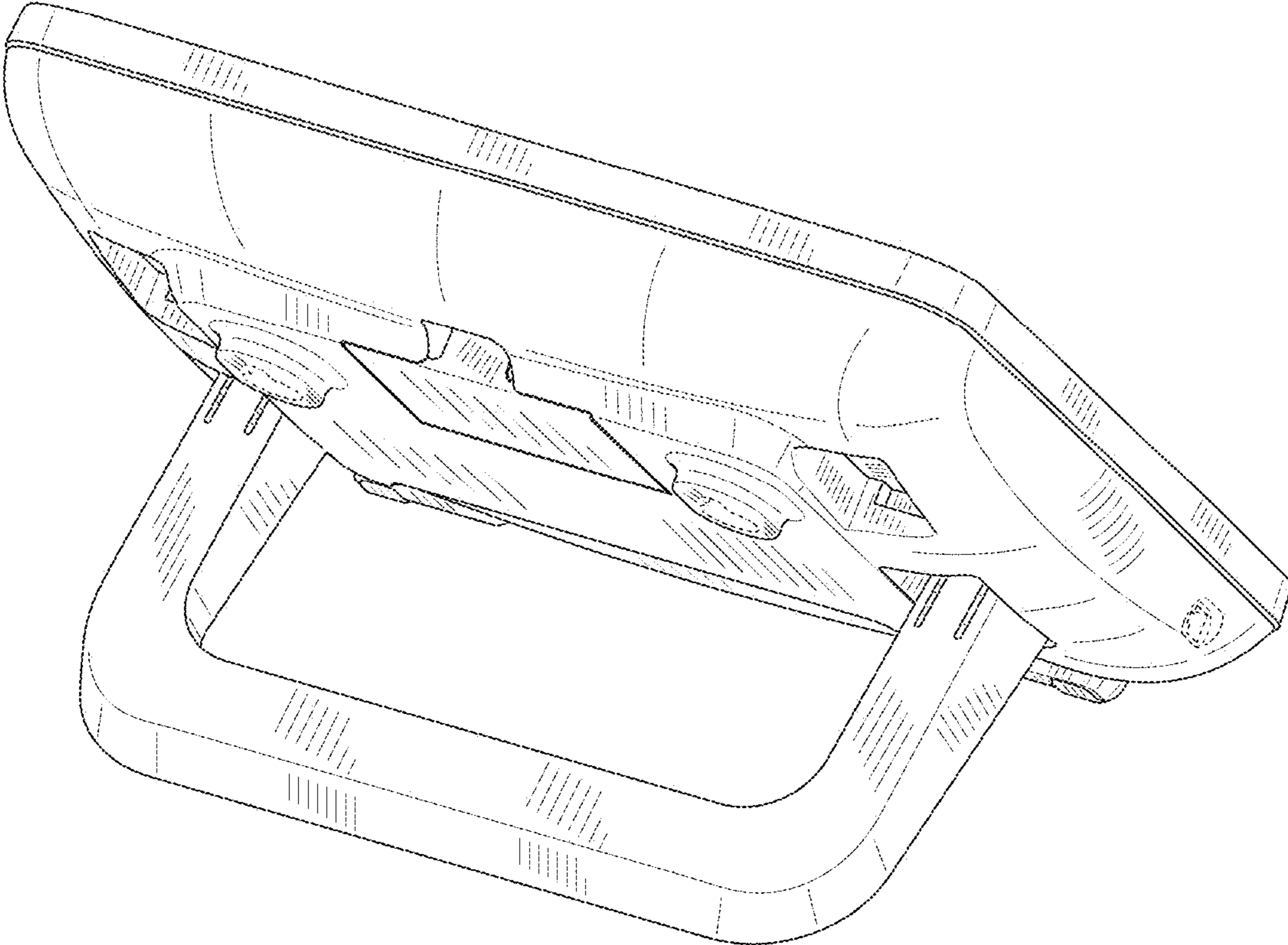


FIG. 3

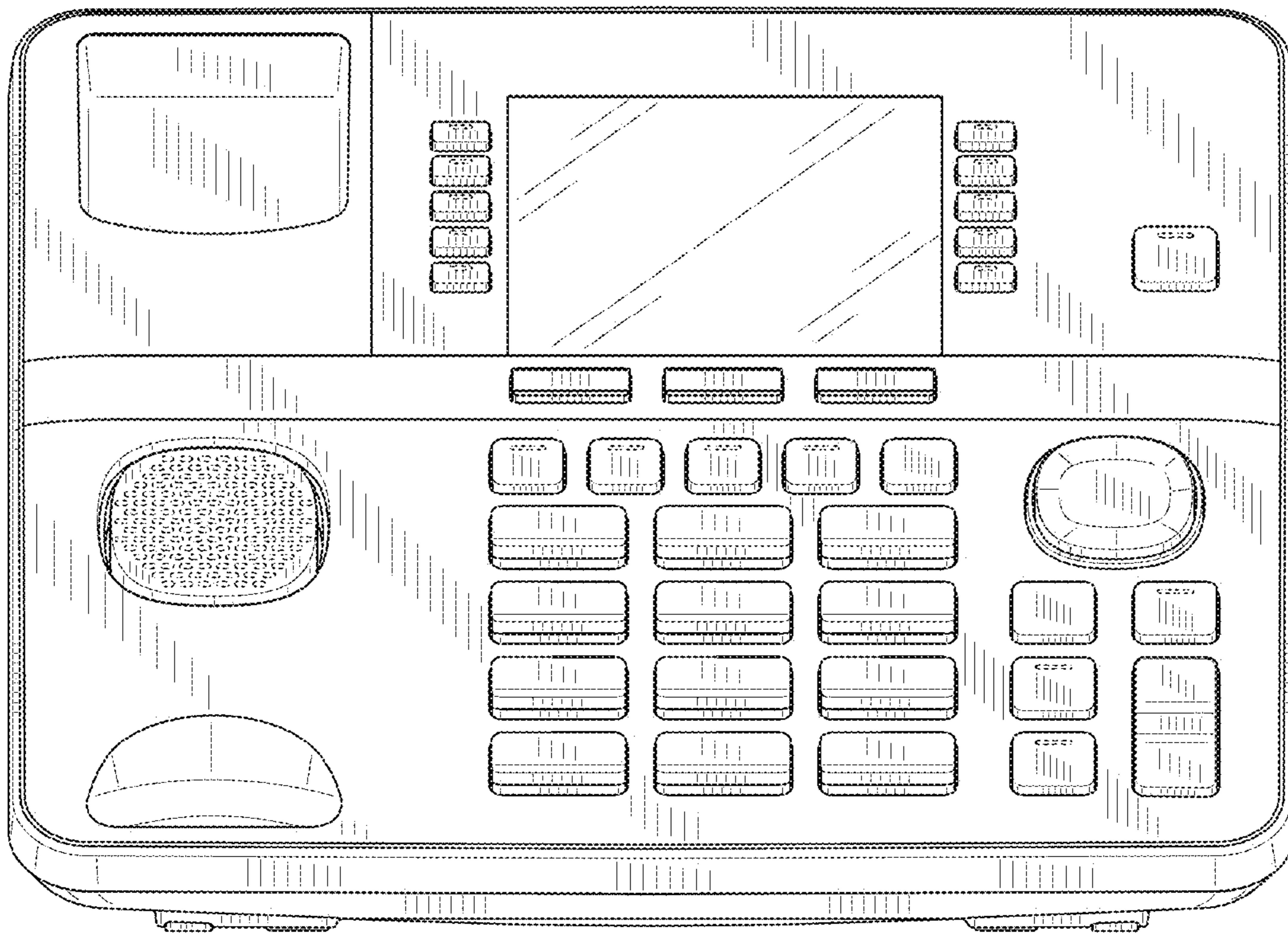


FIG. 4

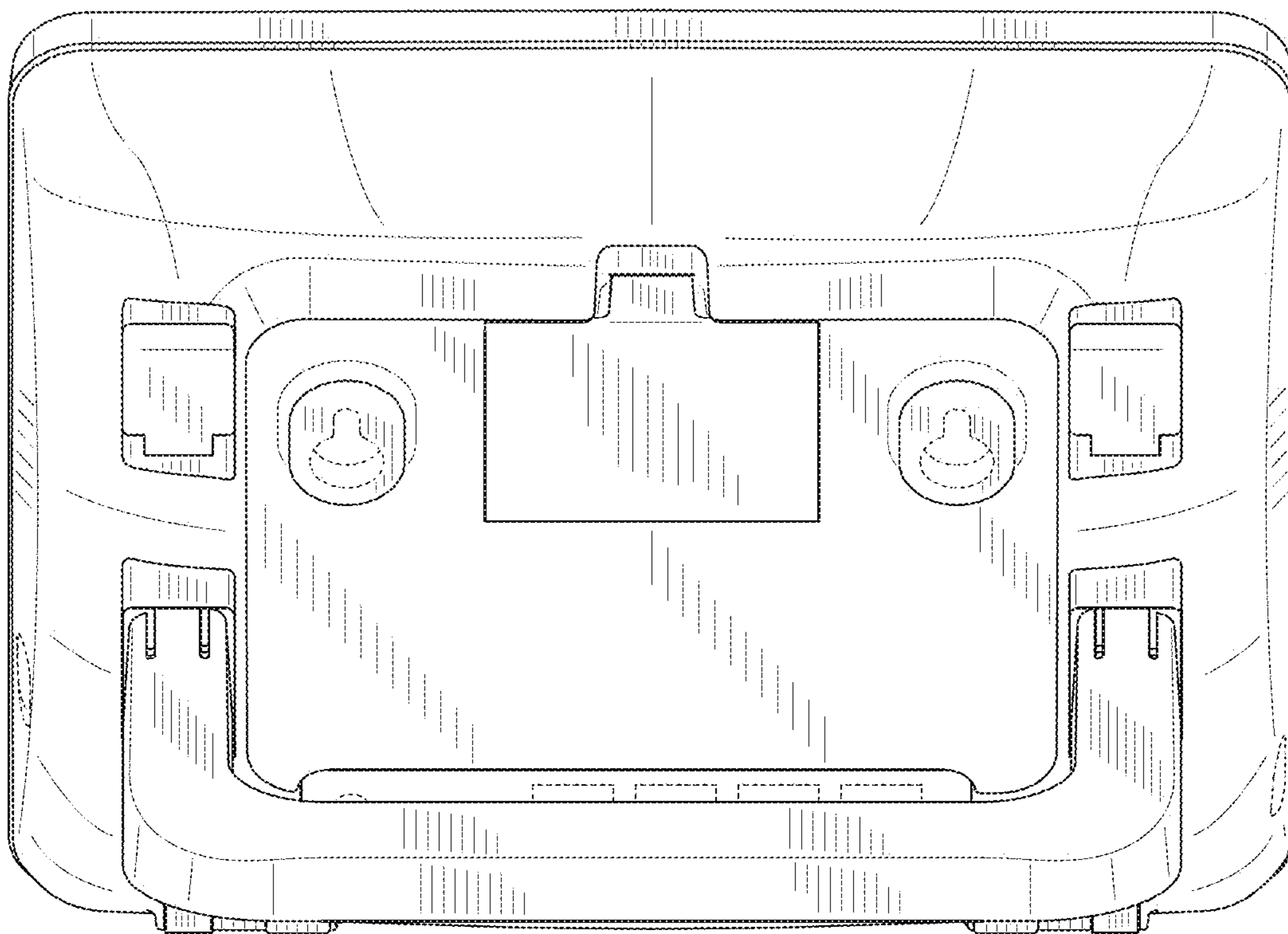


FIG. 5

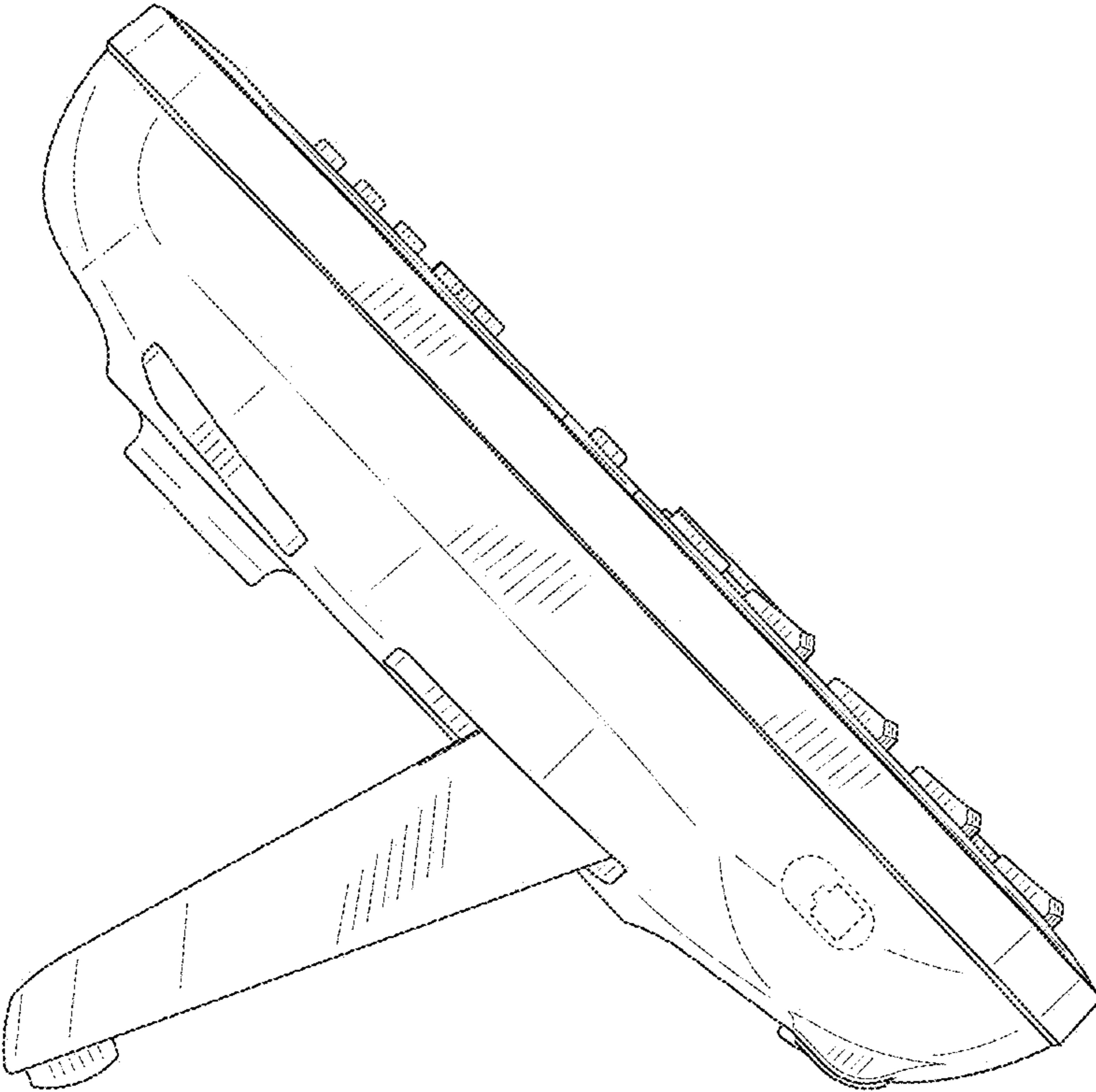


FIG. 6

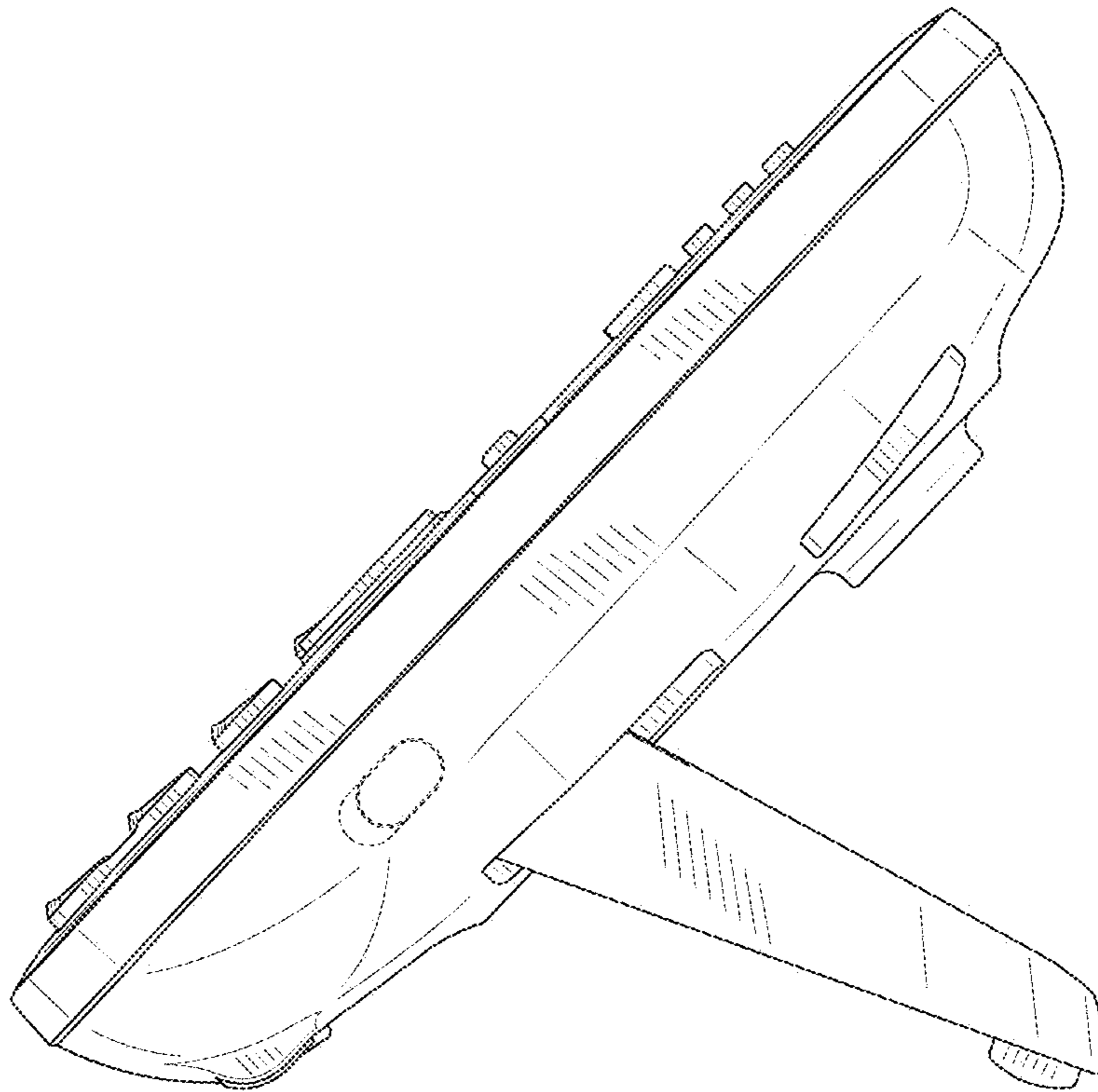


FIG. 7

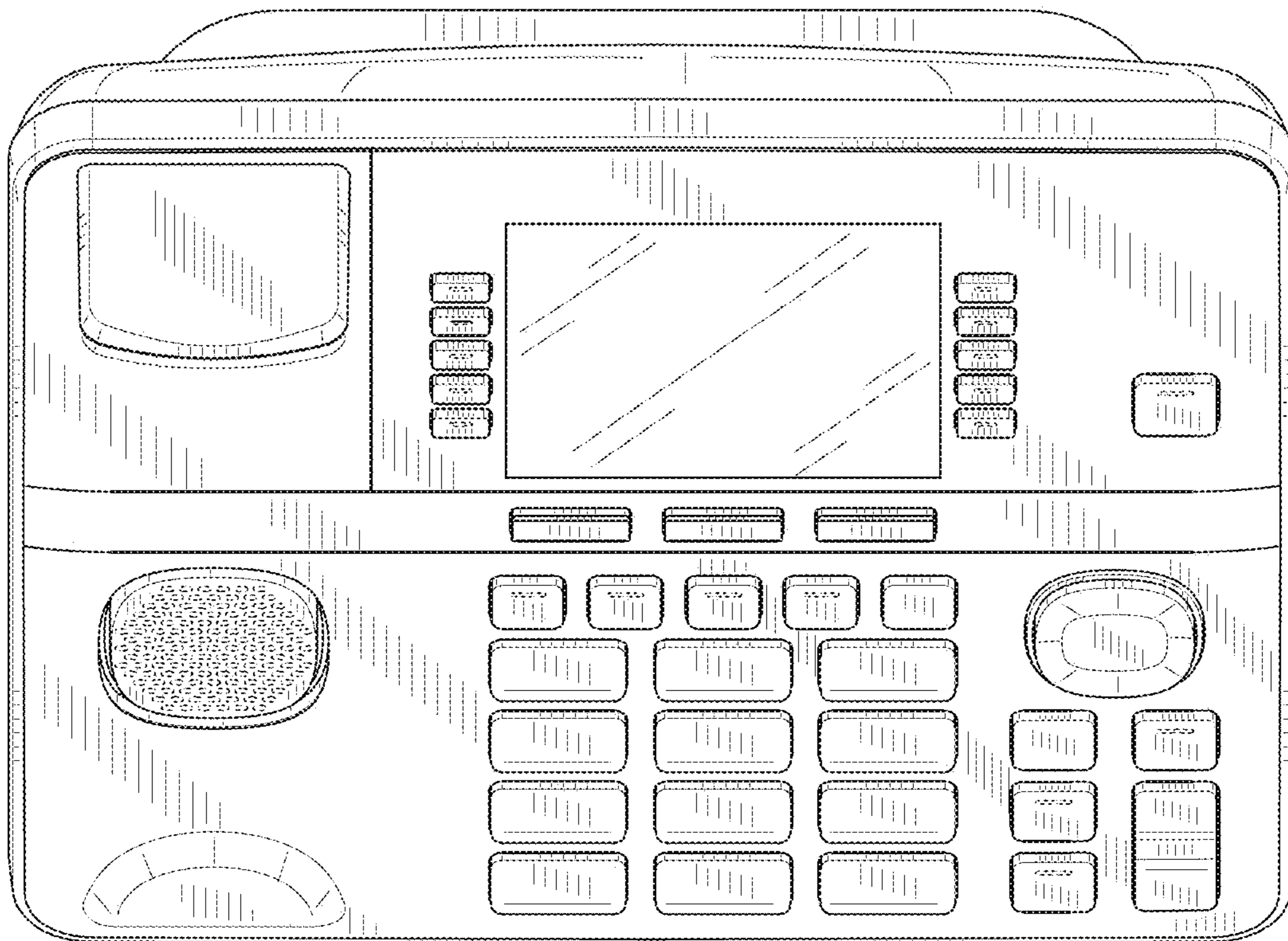


FIG. 8

