



US00D906993S

(12) **United States Design Patent**
Fitch et al.

(10) **Patent No.:** **US D906,993 S**
(45) **Date of Patent:** **** *Jan. 5, 2021**

(54) **ELECTRONIC DEVICE**

- (71) Applicant: **Hand Held Products, Inc.**, Fort Mill, SC (US)
- (72) Inventors: **Timothy R. Fitch**, Syracuse, NY (US); **Sherri Reed**, Charlotte, NC (US); **Mika Majapuro**, Charlotte, NC (US); **Matthew Skvoretz**, Charlotte, NC (US); **Gil Helms**, Monroe, NC (US); **Robert Englert**, Jamesville, NY (US); **Eric Youngblood**, Matthews, NC (US)
- (73) Assignee: **HAND HELD PRODUCTS, INC.**, Fort Mill, SC (US)
- (*) Notice: This patent is subject to a terminal disclaimer.
- (**) Term: **15 Years**
- (21) Appl. No.: **29/653,481**
- (22) Filed: **Jun. 15, 2018**

Related U.S. Application Data

- (63) Continuation of application No. 29/572,694, filed on Jul. 29, 2016, now Pat. No. Des. 821,346, which is a (Continued)
- (51) **LOC (13) Cl.** **14-03**
- (52) **U.S. Cl.**
USPC **D14/138 G**; D14/341; D14/426
- (58) **Field of Classification Search**
USPC D14/138 G, 138 AD, 341, 138 R, 496, D14/203.1, 203.3, 203.5, 203.7, 248;
(Continued)

(56) **References Cited**

U.S. PATENT DOCUMENTS

- D380,728 S 7/1997 Richards et al.
 - D435,844 S 1/2001 Yeh
- (Continued)

OTHER PUBLICATIONS

Honeywell, Dolphin 70e, introduced Oct. 2012, no posting date given [online], [site visited Feb. 4, 2015 and earlier]. Available from Internet, <URL: http://www.ruggedpcreview.com/3_handhelds_honeywell_dolphin_70e.html>.

(Continued)

Primary Examiner — Jeffrey D Asch
(74) *Attorney, Agent, or Firm* — Alston & Bird LLP

(57) **CLAIM**

The ornamental design for an electronic device, as shown and described.

DESCRIPTION

FIG. 1 is a perspective view of a first embodiment of the design for an electronic device;
 FIG. 2 is a front elevation view of the first embodiment of the design for an electronic device;
 FIG. 3 is a rear elevation view of the first embodiment of the design for an electronic device;
 FIG. 4 is a left side elevation view of the first embodiment of the design for an electronic device;
 FIG. 5 is a right side elevation view of the first embodiment of the design for an electronic device;
 FIG. 6 is a top plan view of the first embodiment of the design for an electronic device;
 FIG. 7 is a bottom plan view of the first embodiment of the design for an electronic device;
 FIG. 8 is another perspective view of the first embodiment of the design for an electronic device;
 FIG. 9 is yet another perspective view of the first embodiment of the design for an electronic device;
 FIG. 10 is a perspective view of a second embodiment of the design for an electronic device;
 FIG. 11 is a front elevation view of the second embodiment of the design for an electronic device;
 FIG. 12 is a rear elevation view of the second embodiment of the design for an electronic device;
 FIG. 13 is a left side elevation view of the second embodiment of the design for an electronic device;

(Continued)

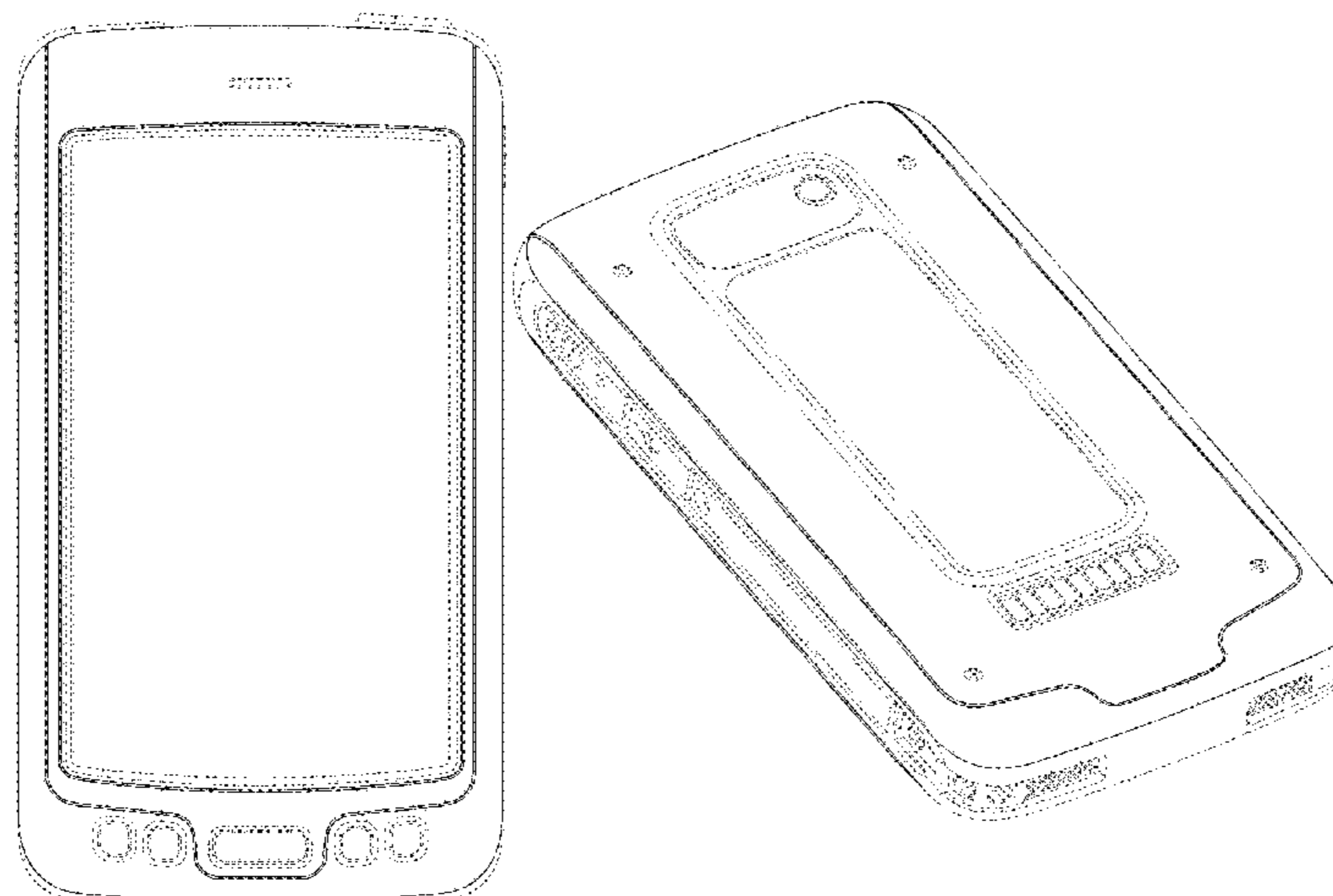


FIG. 14 is a right side elevation view of the second embodiment of the design for an electronic device;
 FIG. 15 is a top plan view of the second embodiment of the design for an electronic device;
 FIG. 16 is a bottom plan view of the second embodiment of the design for an electronic device;
 FIG. 17 is another perspective view of the second embodiment of the design for an electronic device; and,
 FIG. 18 is yet another perspective view of the second embodiment of the design for an electronic device.
 Broken lines shown in the drawings of the electronic device are for illustrative purposes only and form no part of the claimed design.

1 Claim, 18 Drawing Sheets

Related U.S. Application Data

continuation of application No. 29/458,405, filed on Jun. 19, 2013, now Pat. No. Des. 762,604.

(58) **Field of Classification Search**

USPC 455/575.1, 556.2; D21/517, 329;
 361/679.3, 679.56
 CPC . G06F 1/1626; H04M 1/0266; H04M 1/0264;
 H04M 1/0202

See application file for complete search history.

(56) **References Cited**

U.S. PATENT DOCUMENTS

D553,596 S	10/2007	Kim et al.
D580,396 S	11/2008	Kang
D596,608 S	7/2009	Kim et al.
D615,085 S	5/2010	Ma et al.
D616,855 S	6/2010	Song et al.
D618,200 S	6/2010	Kim et al.
D628,198 S	11/2010	Fitch et al.
D629,776 S	12/2010	Lee et al.
D629,783 S	12/2010	Kim et al.
D633,467 S	3/2011	Park et al.
D637,576 S	5/2011	Lee
D640,223 S	6/2011	Park et al.
D646,251 S	10/2011	Park et al.
D650,766 S	12/2011	Hong
D652,005 S	1/2012	Koh
D665,373 S	8/2012	Xu et al.
D670,693 S	11/2012	Li
D670,694 S	11/2012	Li
D675,947 S	2/2013	Janky et al.
D680,986 S	4/2013	Huang

D681,593 S *	5/2013	Chung	D14/138 G
D685,754 S	7/2013	Palmer et al.		
D687,004 S	7/2013	Behling		
D687,822 S *	8/2013	Growney	D14/341
D688,643 S	8/2013	Park		
D692,893 S	11/2013	Wesolek		
D693,800 S	11/2013	Kanayama et al.		
D698,786 S	2/2014	Jondrow et al.		
D701,203 S	3/2014	Katori et al.		
D703,661 S	4/2014	Krause et al.		
D716,249 S	10/2014	Zhang et al.		
D717,304 S	11/2014	Yturralde et al.		
D721,705 S	1/2015	Lim et al.		
D736,205 S	8/2015	Park et al.		
D745,508 S *	12/2015	Ferren	D14/341
9,317,066 B2	4/2016	Mochizuki et al.		
D760,216 S *	6/2016	Krause	D14/341
D762,604 S	8/2016	Fitch et al.		
D794,588 S	8/2017	Daniel		
9,743,731 B2	8/2017	Oberpriller et al.		
D797,106 S *	9/2017	Paolizzi	D14/426
D797,745 S	9/2017	Wang et al.		
D807,335 S	1/2018	Kitade		
D808,918 S	1/2018	Wei		
9,879,823 B2 *	1/2018	Oberpriller	F16M 13/04
D813,863 S *	3/2018	Barea	D14/341
D818,466 S *	5/2018	Chang	D14/341
D821,346 S *	6/2018	Fitch	D14/138 G
D823,300 S *	7/2018	Fountain	D14/341
D823,852 S *	7/2018	Shen	D14/341
D828,320 S *	9/2018	Tschopp	D14/138 G
D829,206 S *	9/2018	Akana	D14/341
D840,961 S *	2/2019	Panosian	D14/138 G
10,372,952 B2 *	8/2019	Todeschini	A61L 2/0052
10,509,619 B2 *	12/2019	Todeschini	G06Q 30/016
D879,064 S *	3/2020	Park	D14/138 G
2015/0071819 A1	3/2015	Todeschini		

OTHER PUBLICATIONS

Honeywell, Dolphin 70e, youtube video, posted by Hipermaco, published Nov. 6, 2012 [online], [site visited Feb. 5, 2015 and earlier]. Available from Internet, <URL: <http://www.youtube.com/watch?v=D2swIEBuVYw>>.
 Notice of Allowance for U.S. Appl. No. 29/458,405, dated Mar. 14, 2016, 8 pages.
 Notice of Allowance for U.S. Appl. No. 29/572,694, dated Mar. 2, 2018, 8 pages.
 Office Action for U.S. Appl. No. 29/458,405, dated Feb. 10, 2015, 9 pages.
 Office Action for U.S. Appl. No. 29/458,405, dated Sep. 24, 2015, 8 pages.
 Office Action for U.S. Appl. No. 29/572,694, dated Oct. 12, 2017, 11 pages.

* cited by examiner

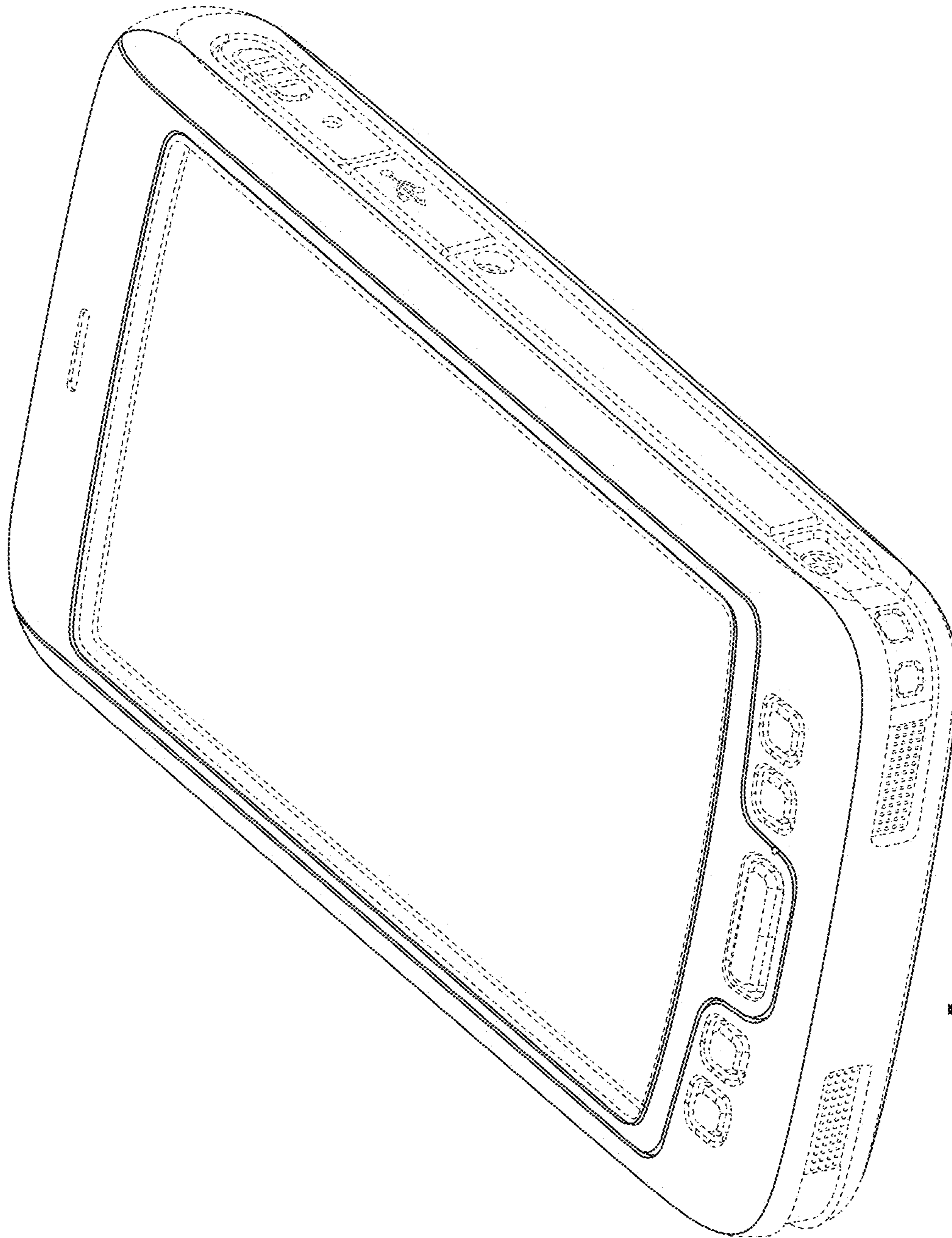


FIG. 1

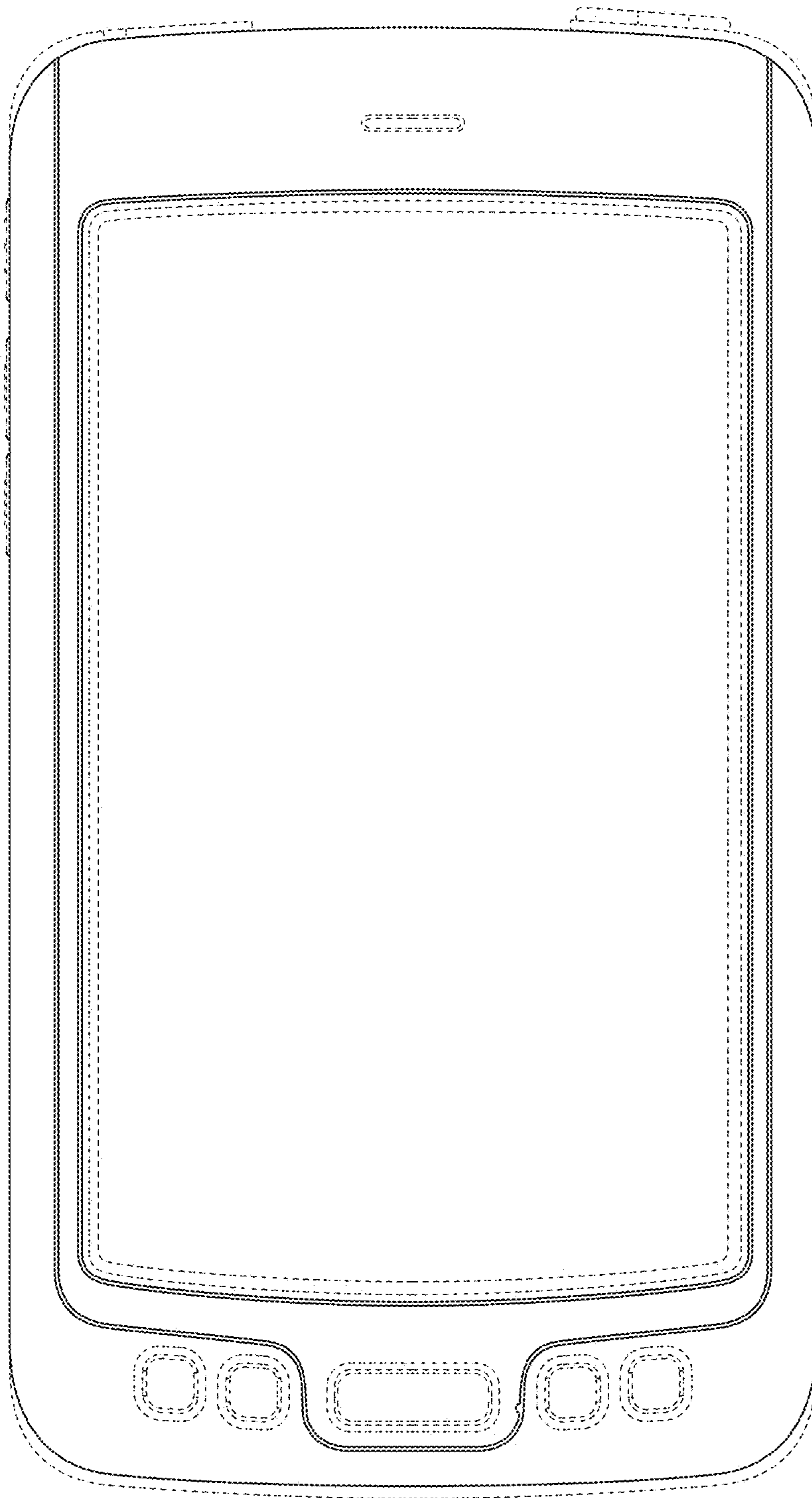


FIG. 2

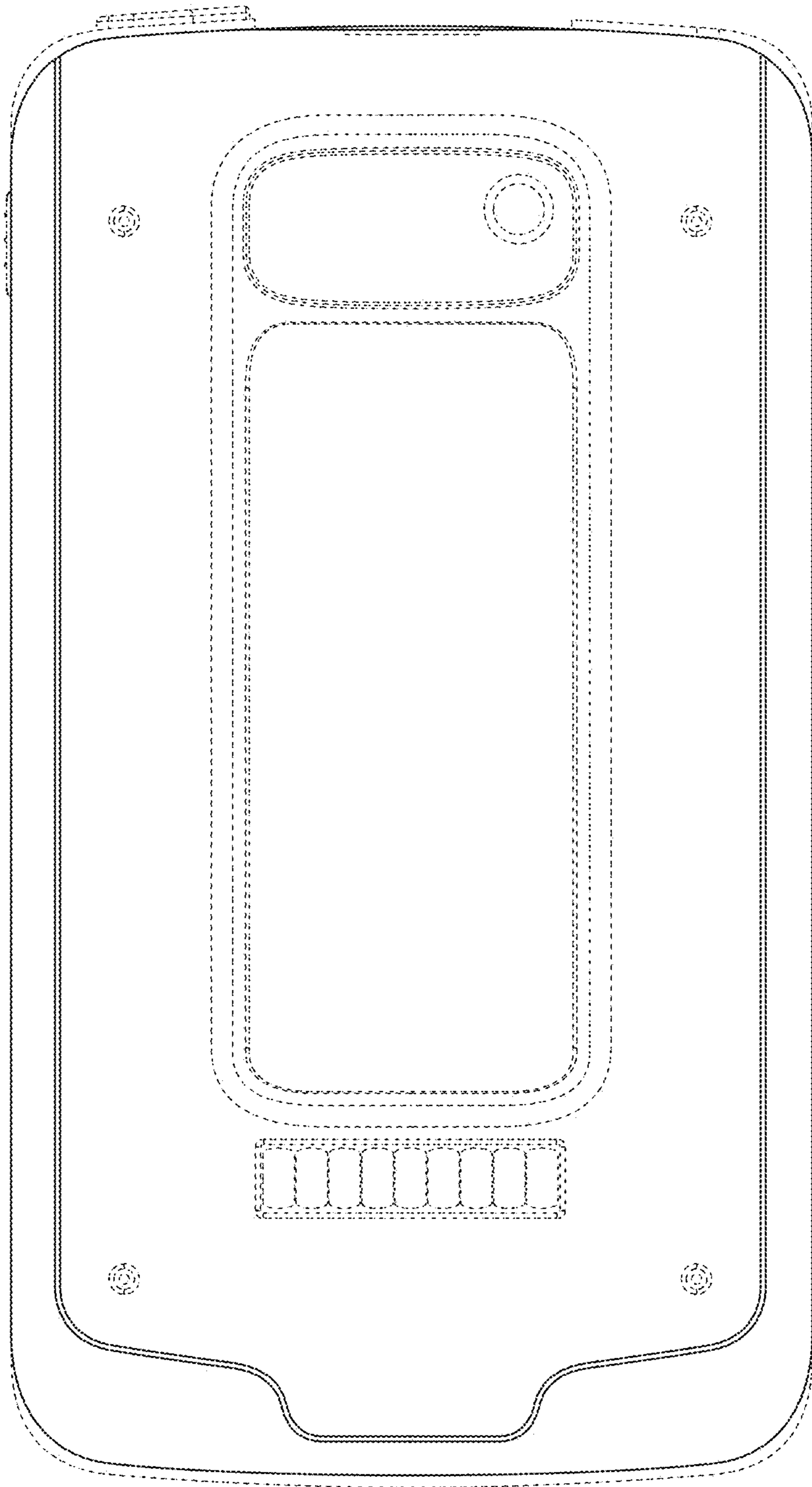


FIG. 3

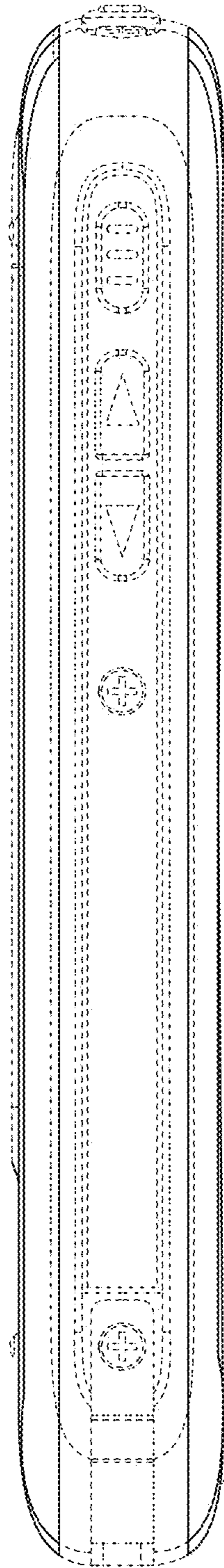


FIG. 4

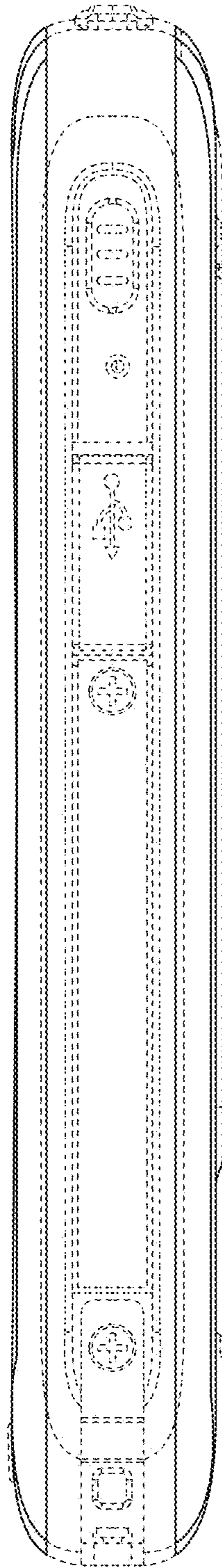


FIG. 5

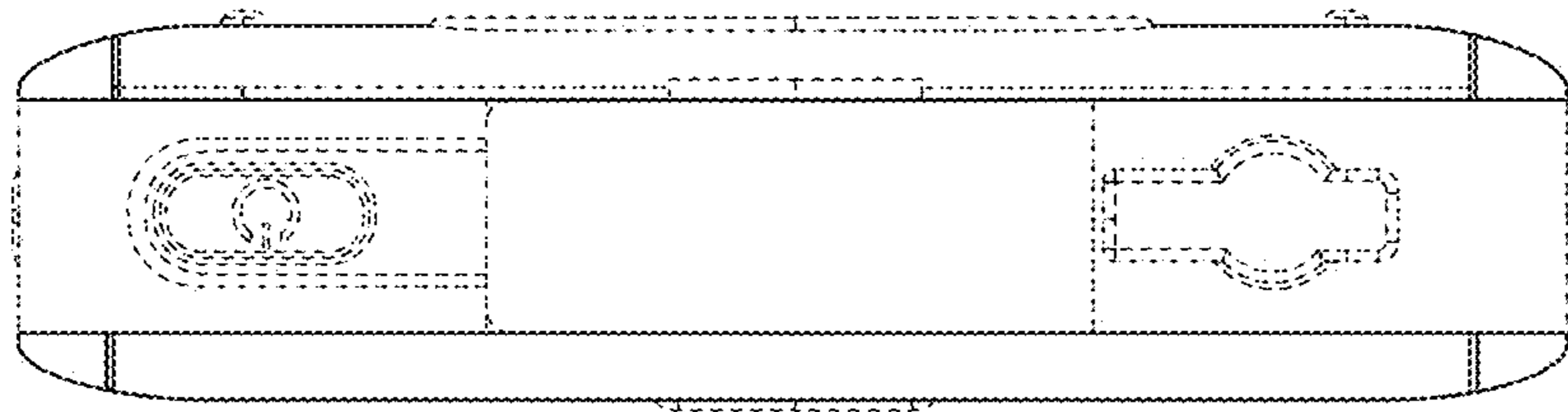


FIG. 6

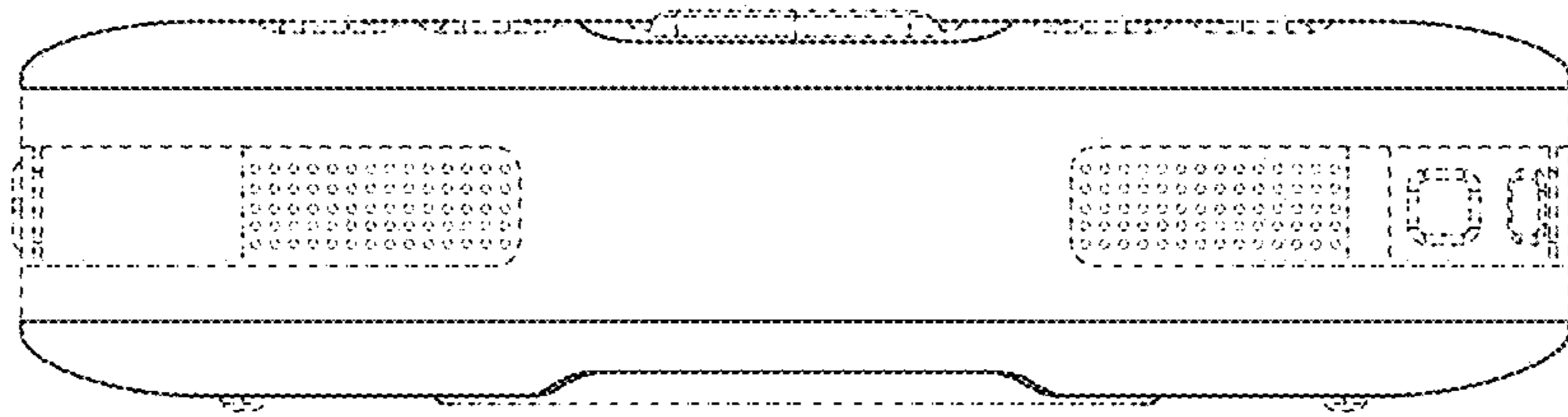


FIG. 7

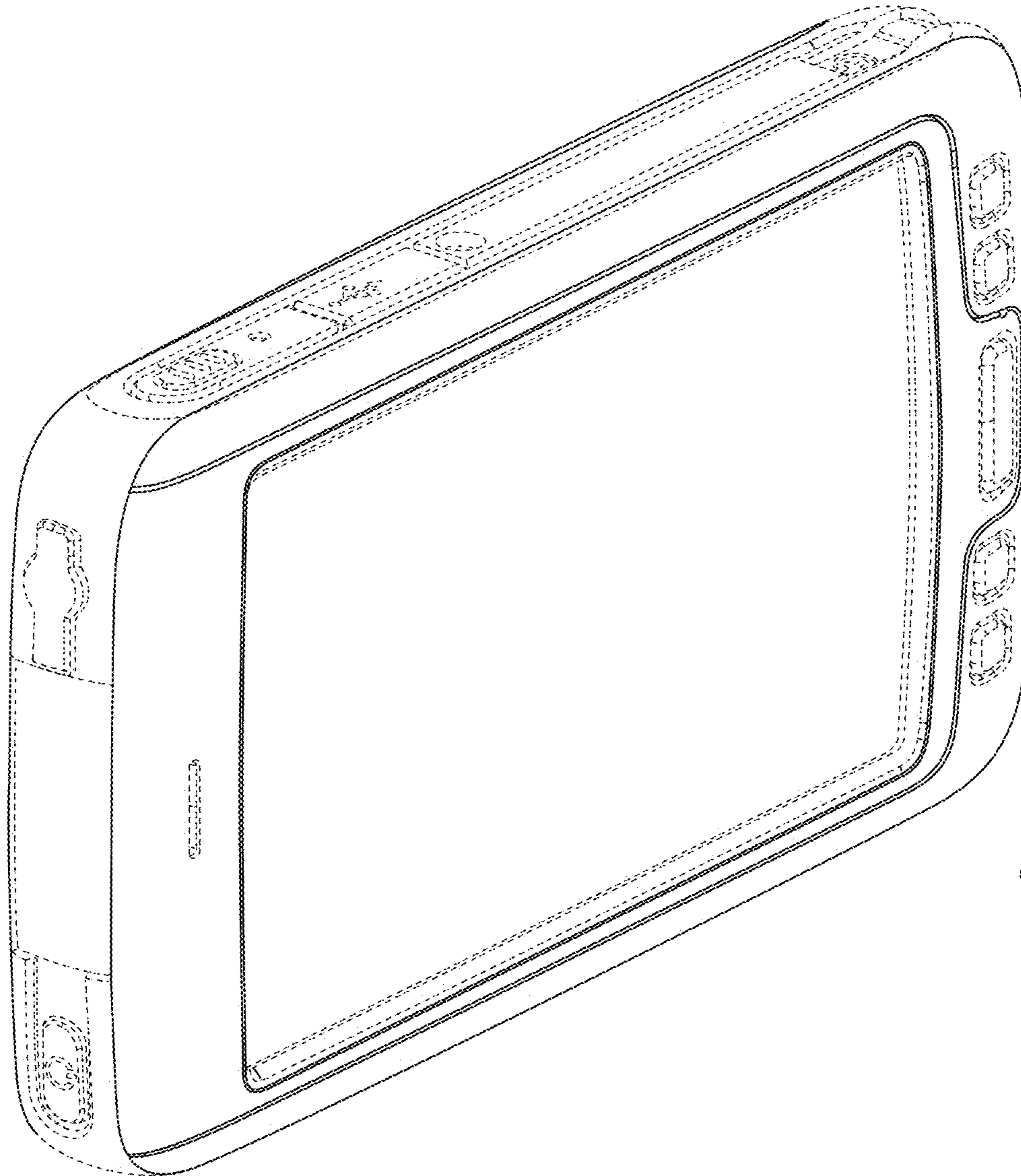


FIG. 8

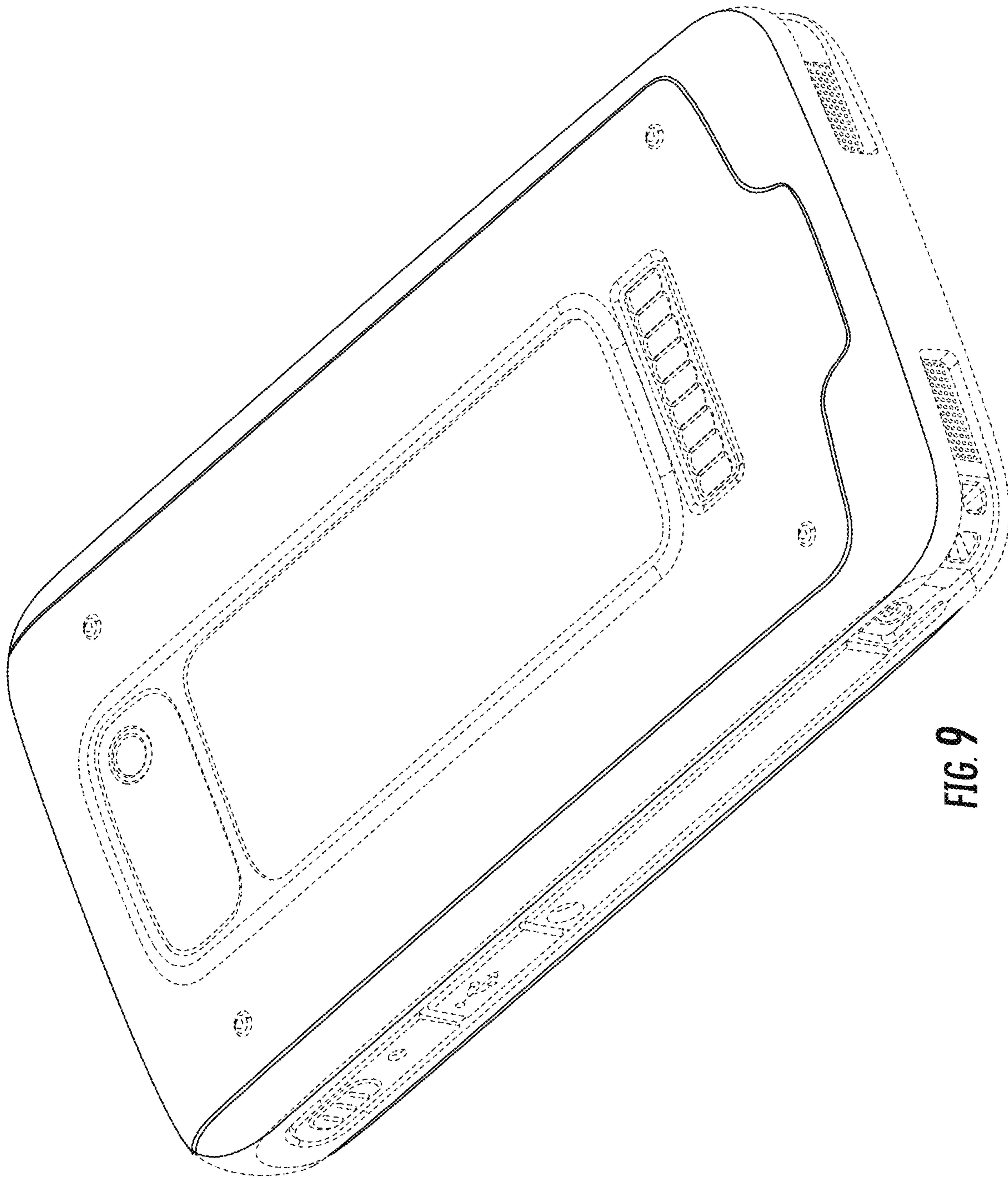


FIG. 9

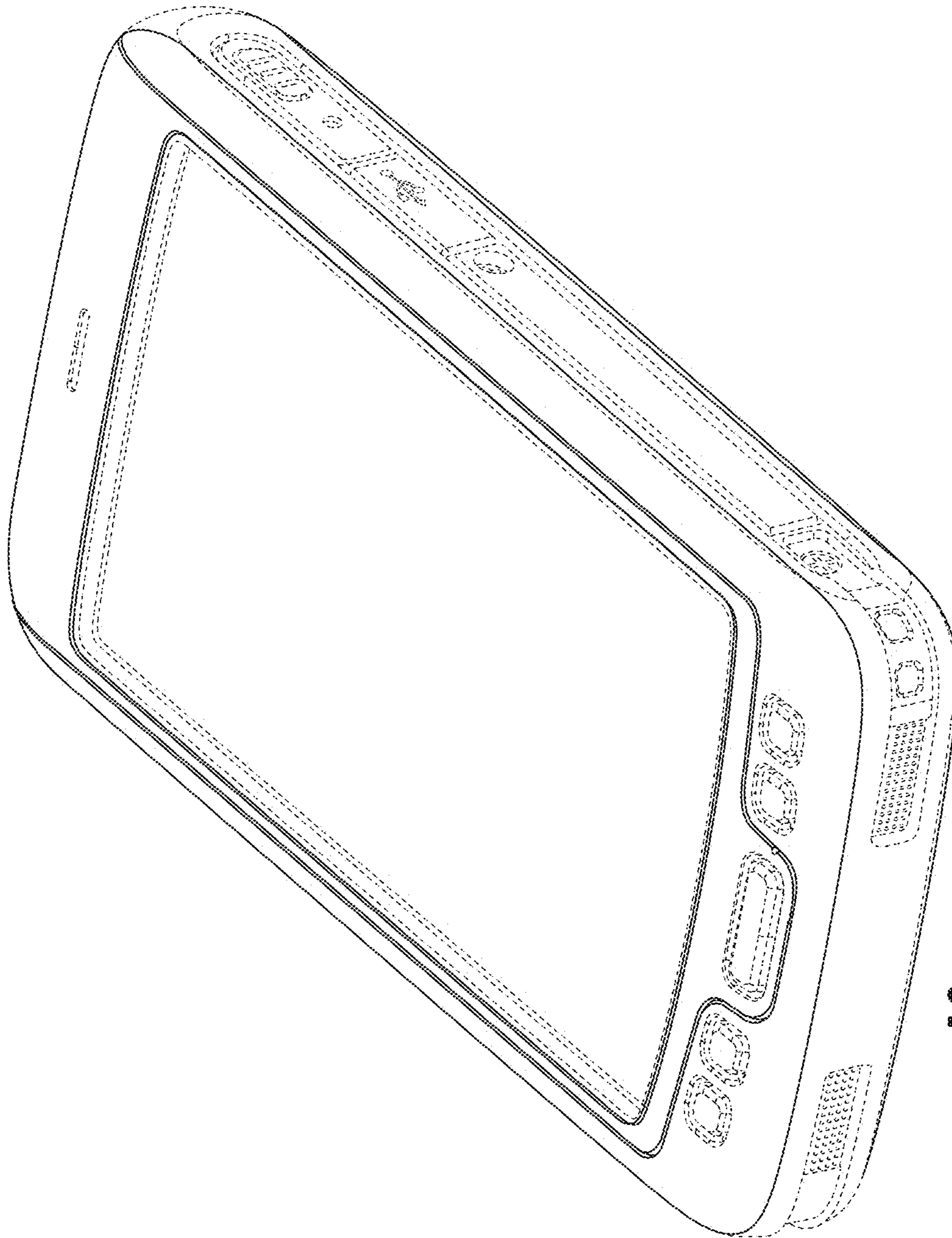


FIG. 10

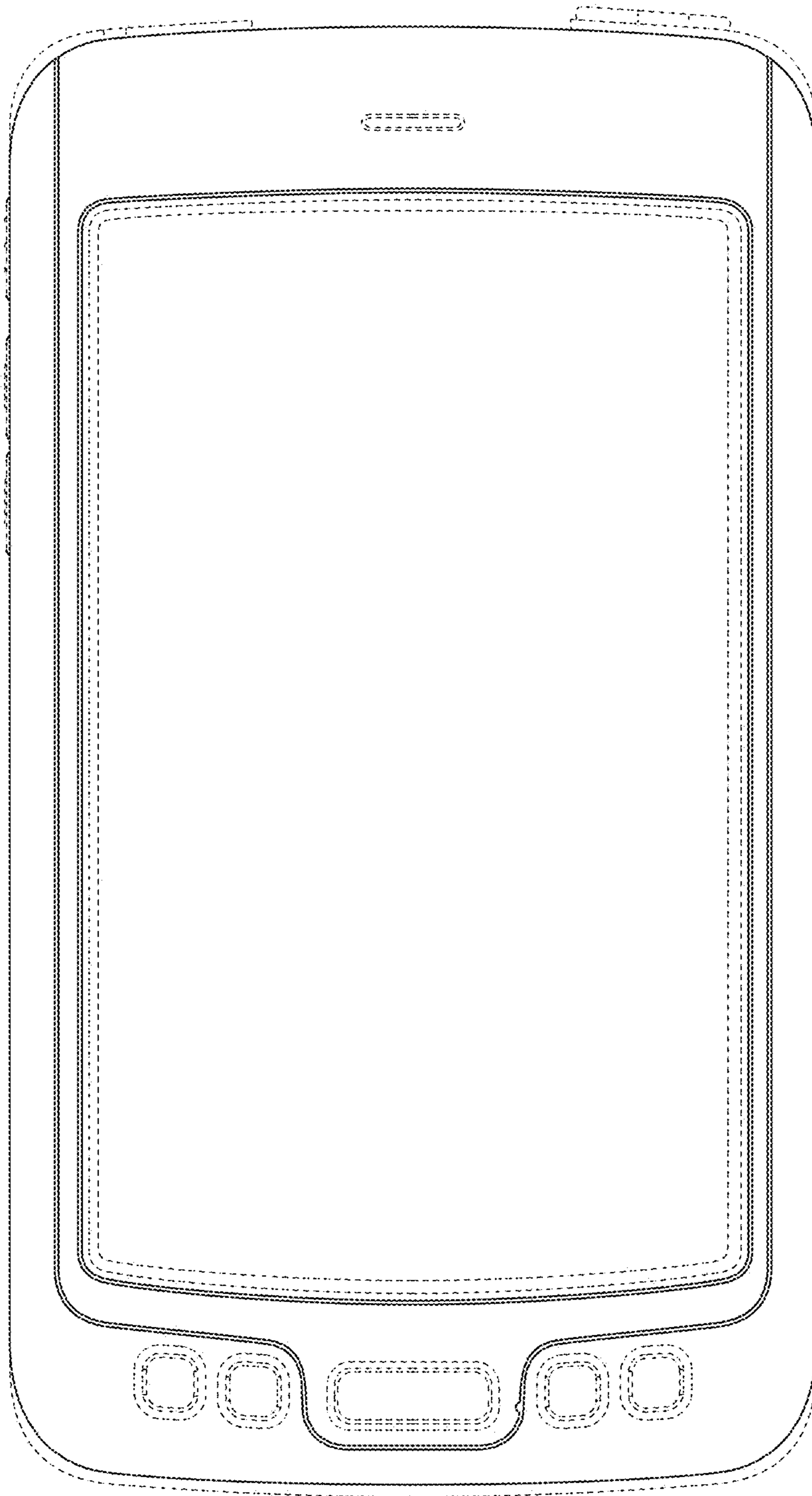


FIG. 11

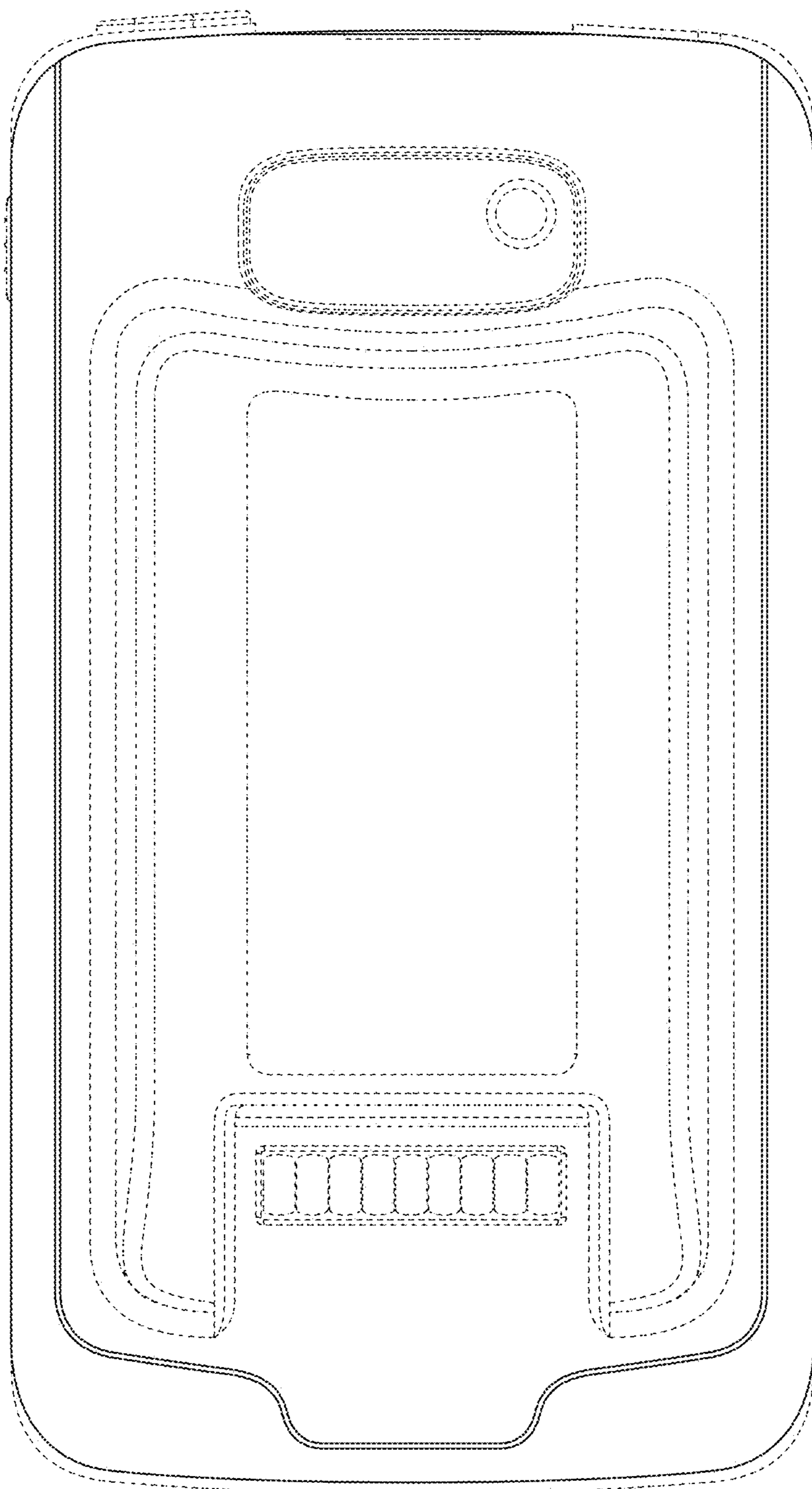


FIG. 12

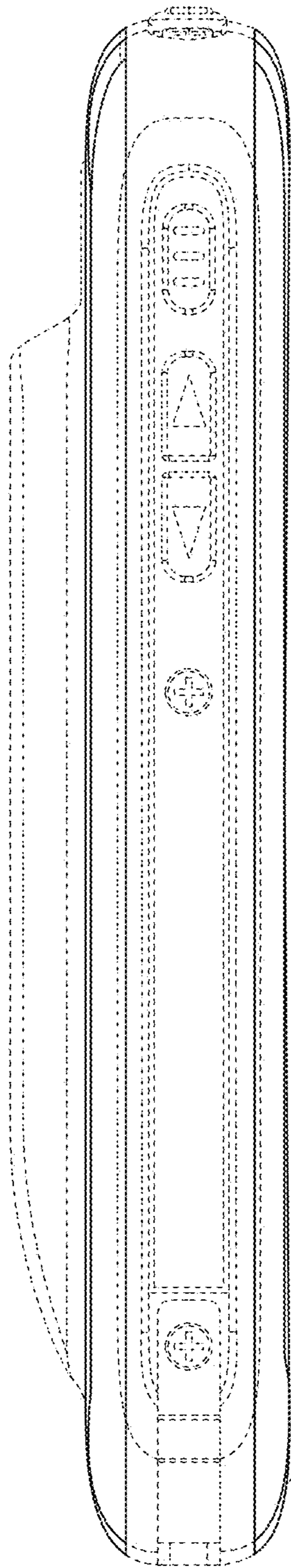


FIG. 13

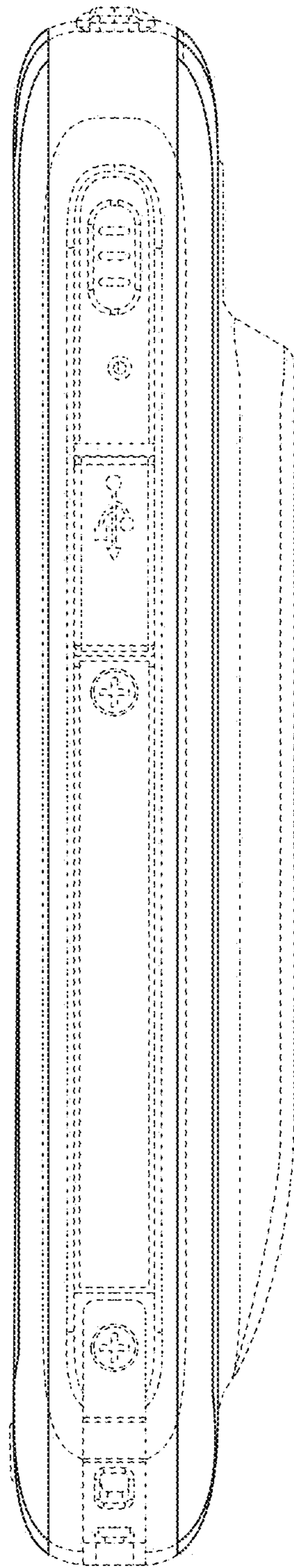


FIG. 14

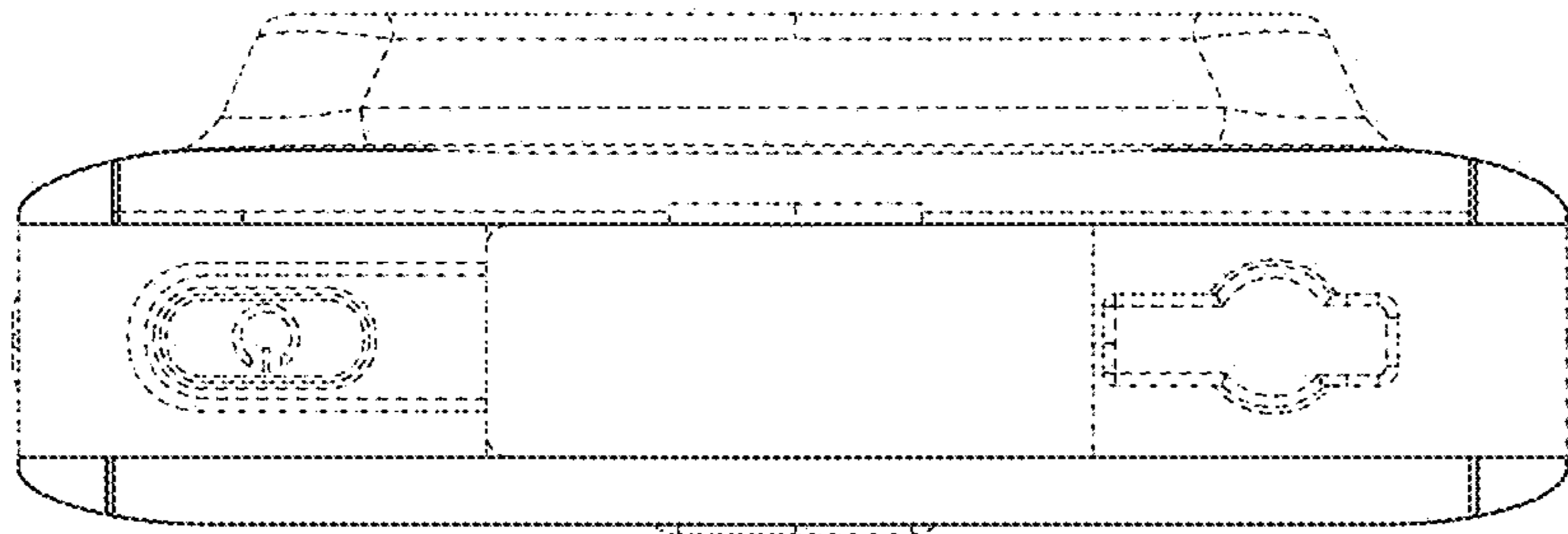


FIG. 15

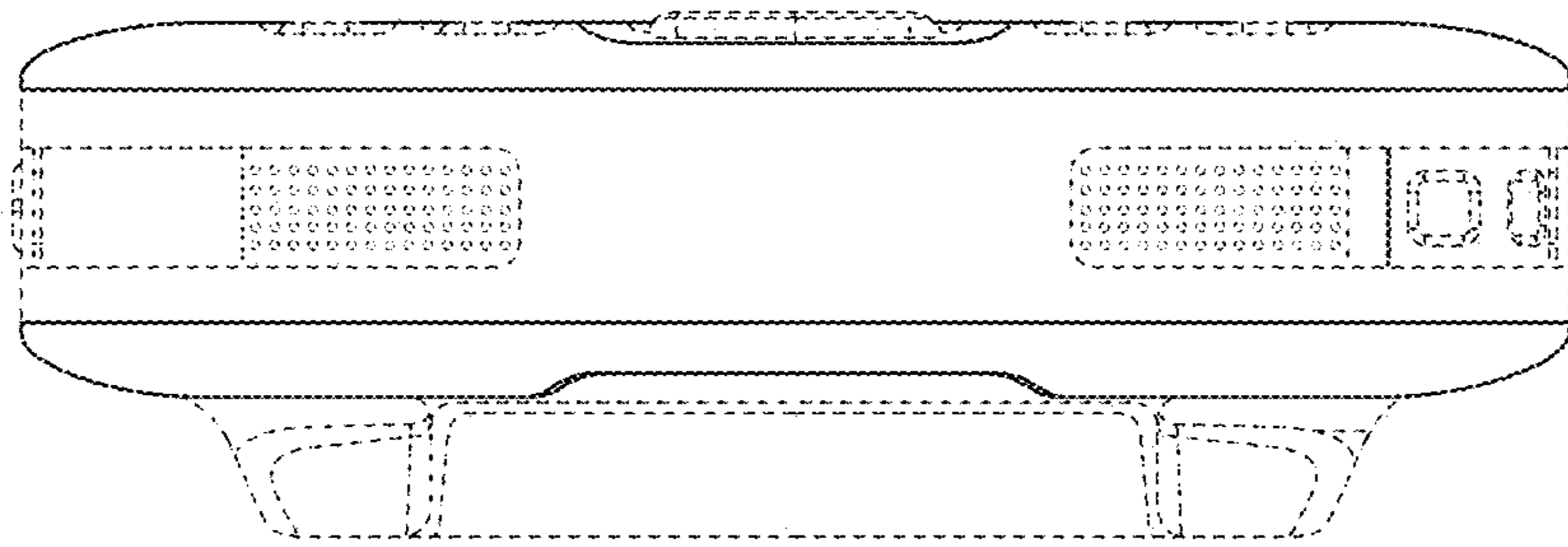


FIG. 16

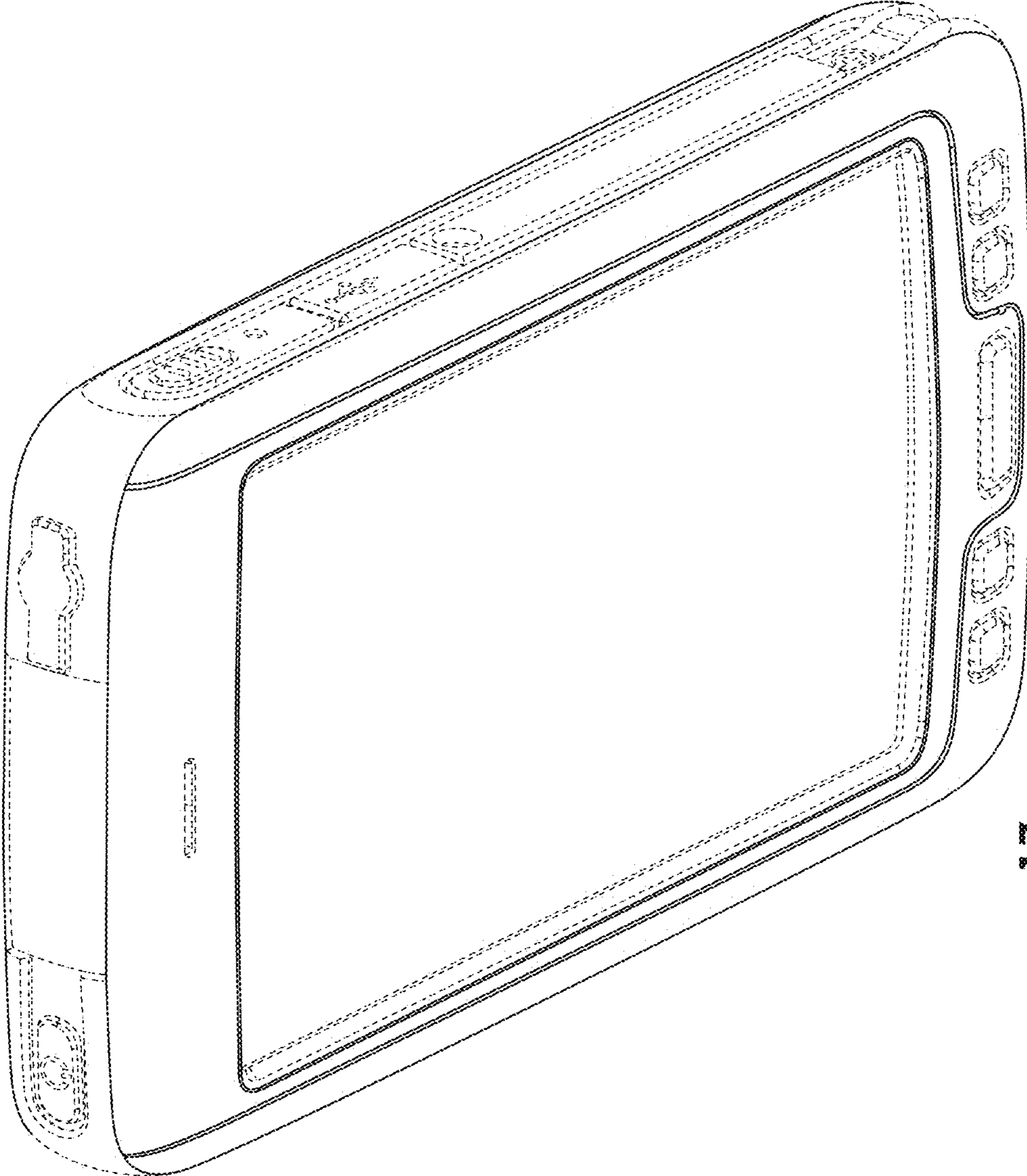


FIG. 17

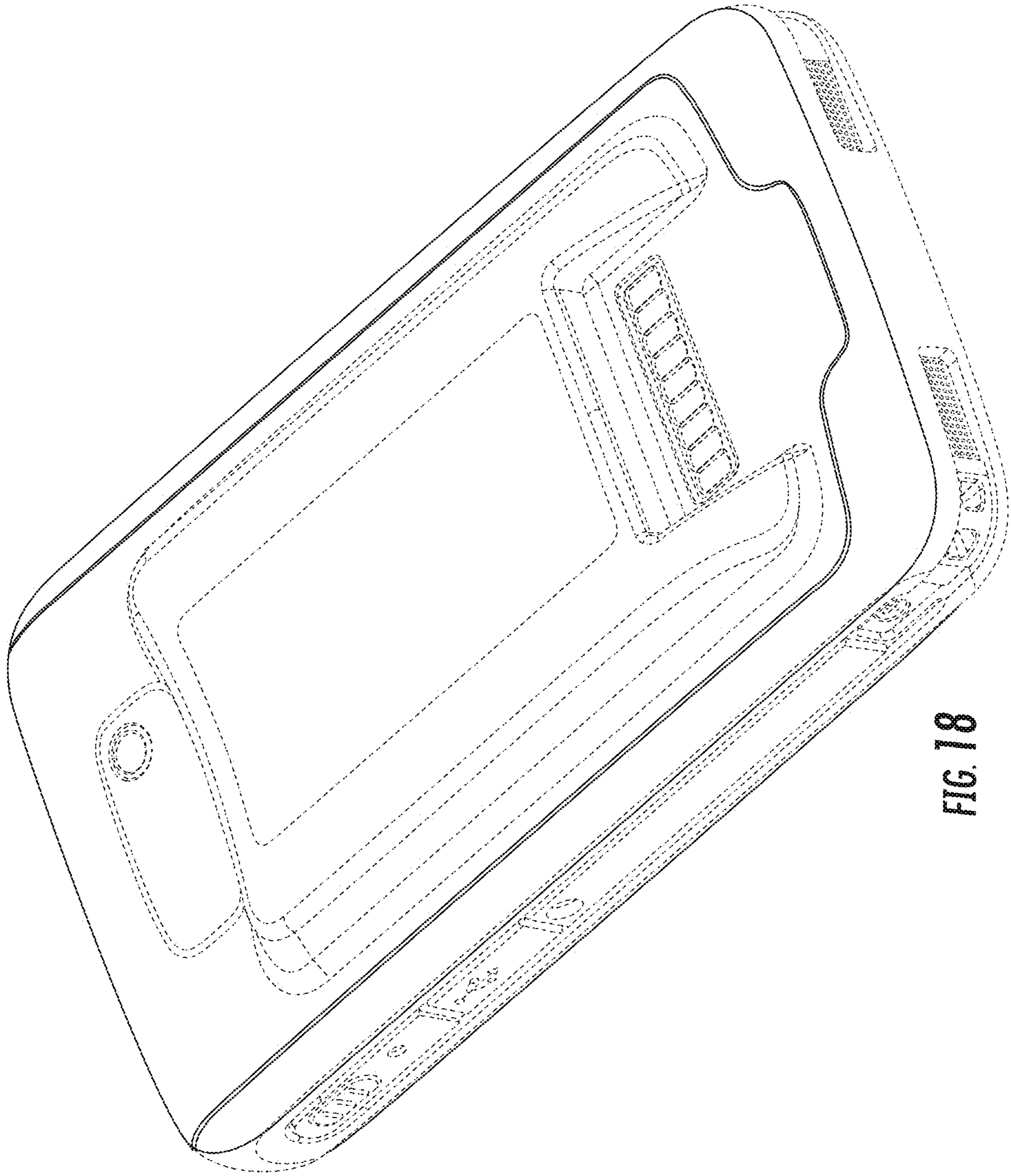


FIG. 18