



US00D906992S

(12) **United States Design Patent** (10) **Patent No.:** **US D906,992 S**
Lee et al. (45) **Date of Patent:** **** Jan. 5, 2021**

(54) **TELEVISION RECEIVER**

(71) Applicant: **Samsung Electronics Co., Ltd.**,
Suwon-si (KR)

(72) Inventors: **Seungho Lee**, Guri-si (KR); **Eunah Kim**, Seoul (KR); **Jaewook Yoo**, Seoul (KR); **Jangho Kim**, Seoul (KR)

(73) Assignee: **Samsung Electronics Co., Ltd.**,
Suwon-si (KR)

(**) Term: **15 Years**

(21) Appl. No.: **29/694,285**

(22) Filed: **Jun. 10, 2019**

(30) **Foreign Application Priority Data**

Dec. 13, 2018 (KR) 30-2018-0058878
(51) **LOC (13) Cl.** **14-03**
(52) **U.S. Cl.**
USPC **D14/126; D14/239**
(58) **Field of Classification Search**
USPC D14/125-137, 239, 334, 335, 371;
D9/414, 770; D6/300

(Continued)

(56) **References Cited**

U.S. PATENT DOCUMENTS

D728,499 S * 5/2015 Park D14/126
D742,378 S * 11/2015 Jung D14/374
(Continued)

FOREIGN PATENT DOCUMENTS

EM 002463190-0003 9/2014
KR 30-2011-0056213 12/2012
(Continued)

OTHER PUBLICATIONS

Samsung Electronics . . . Smart QLED TV, (c) 2017 [online],
[retrieved Aug. 22, 2020], Retrieved from Internet, URL: <https://

www.amazon.com/Samsung-Electronics-QN55Q7F-55-Inch-Ultra/
dp/B01NAYM6JQ> (Year: 2017).*

(Continued)

Primary Examiner — Barbara Fox
Assistant Examiner — Aram Kwon
(74) *Attorney, Agent, or Firm* — NSIP Law

(57) **CLAIM**

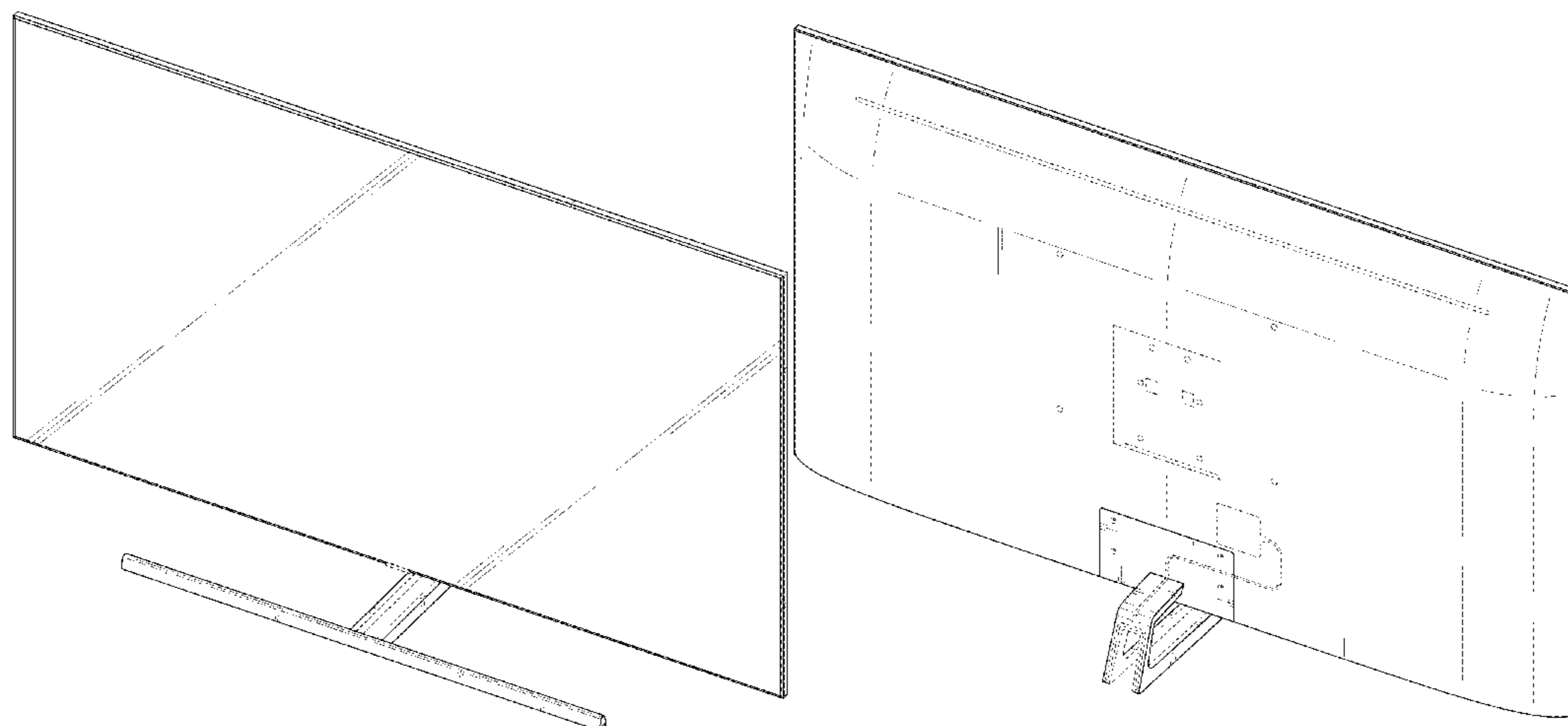
We claim the ornamental design for a television receiver, as shown and described.

DESCRIPTION

FIG. 1 is a front perspective view of a television receiver showing our new design according to a first embodiment; FIG. 2 is a front view thereof; FIG. 3 is a rear view thereof; FIG. 4 is a left-side view thereof; FIG. 5 is a right-side view thereof; FIG. 6 is a top view thereof; FIG. 7 is a bottom view thereof; FIG. 8 is a rear perspective view thereof; FIG. 9 is a cross-sectional view taken through line 9-9 of FIG. 4; FIG. 10 is an enlarged view of the encircled portion in FIG. 3; FIG. 11 is an enlarged view of the encircled portion in FIG. 6; FIG. 12 is a front perspective view of a television receiver showing our new design according to a second embodiment; FIG. 13 is a front view thereof; FIG. 14 is a rear view thereof; FIG. 15 is a left-side view thereof; FIG. 16 is a right-side view thereof; FIG. 17 is a top view thereof; FIG. 18 is a bottom view thereof; FIG. 19 is a rear perspective view thereof; and, FIG. 20 is a cross-sectional view taken through line 20-20 of FIG. 15.

The short dash-dash broken lines in the figures showing portions of the television receiver form no part of the claimed design.

(Continued)



The dot-dash broken lines in FIGS. 3, 6, 10 and 11 represent a boundary of the claimed design and form no part thereof. The dot-dot-dash broken lines in FIGS. 3, 6, 10 and 11, encircling portions of the claimed design form no part of the claimed design.

D801,337 S	*	10/2017	Lee	D14/374
D817,938 S	*	5/2018	Cho	D14/239
D819,583 S	*	6/2018	Lee	D14/126
D857,676 S	*	8/2019	Kim	D14/239
D862,429 S	*	10/2019	Lee	D14/239
D863,240 S	*	10/2019	Lee	D14/126
D866,295 S	*	11/2019	Lee	D8/354

1 Claim, 16 Drawing Sheets

(58) **Field of Classification Search**

CPC G06F 1/16; G06F 1/1601; G06F 1/1637;
 G06F 3/041; G06F 3/0412; G06F 3/0416;
 H04N 5/64; H05K 5/0204; H05K 5/0017;
 H05K 5/0217; H04M 1/725; H04M
 1/0202; H04M 1/0266

See application file for complete search history.

(56) **References Cited**

U.S. PATENT DOCUMENTS

D746,799 S	*	1/2016	Kim	D14/239
D747,299 S	*	1/2016	Kim	D14/239
D747,300 S	*	1/2016	Kim	D14/239
D747,703 S	*	1/2016	Kim	D14/239
D750,093 S	*	2/2016	Jung	D14/451
D800,082 S	*	10/2017	Ahn	D14/126
D800,101 S	*	10/2017	Park	D14/239

FOREIGN PATENT DOCUMENTS

KR	30-2013-0008757	2/2014
KR	30-2013-0008766	2/2014
KR	30-2016-0043094	9/2017
KR	3020180058878	* 8/2019
KR	3020180058879	* 10/2019
WO	WOD201979-001	* 10/2019
WO	WOD201979-003	* 10/2019
WO	WOD201979-004	* 10/2019

OTHER PUBLICATIONS

Samsung QE55Q85R Review, Nov. 13, 2019 [online], [retrieved Aug. 22, 2020], Retrieved from Internet, URL: <<https://www.trustedreviews.com/reviews/samsung-qe55q85r>> (Year: 2019).*

TCL . . . LED 4K UHD Smart Roku TV, 2019 [online], [retrieved Aug. 22, 2020], Retrieved from Internet, URL: <<https://www.bestbuy.com/site/tcl-75-class-8-series-led-4k-uhd-smart-roku-tv/6377907.p?skuId=6377907>> (Year: 2019).*

* cited by examiner

FIG. 1

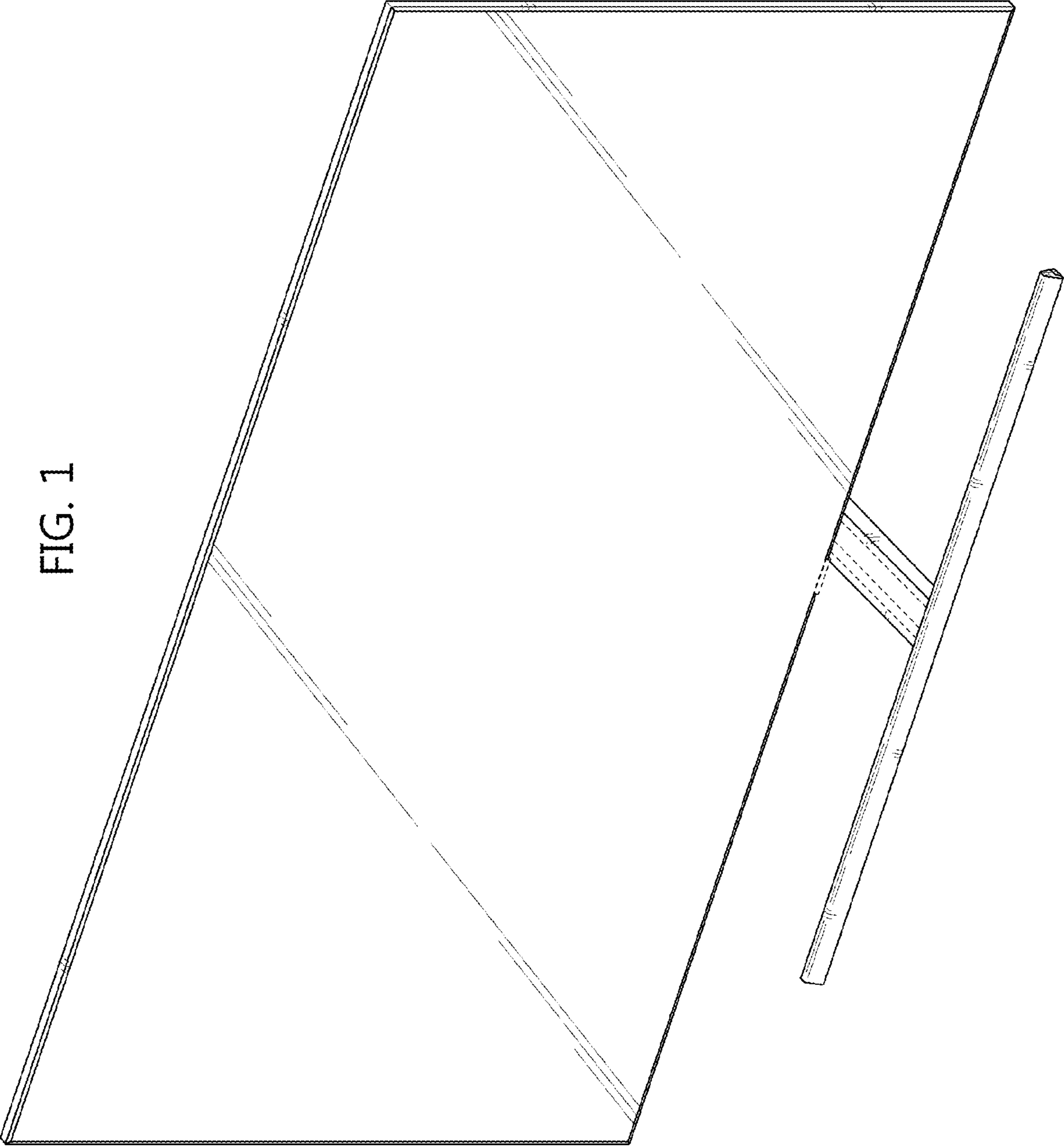


FIG. 2

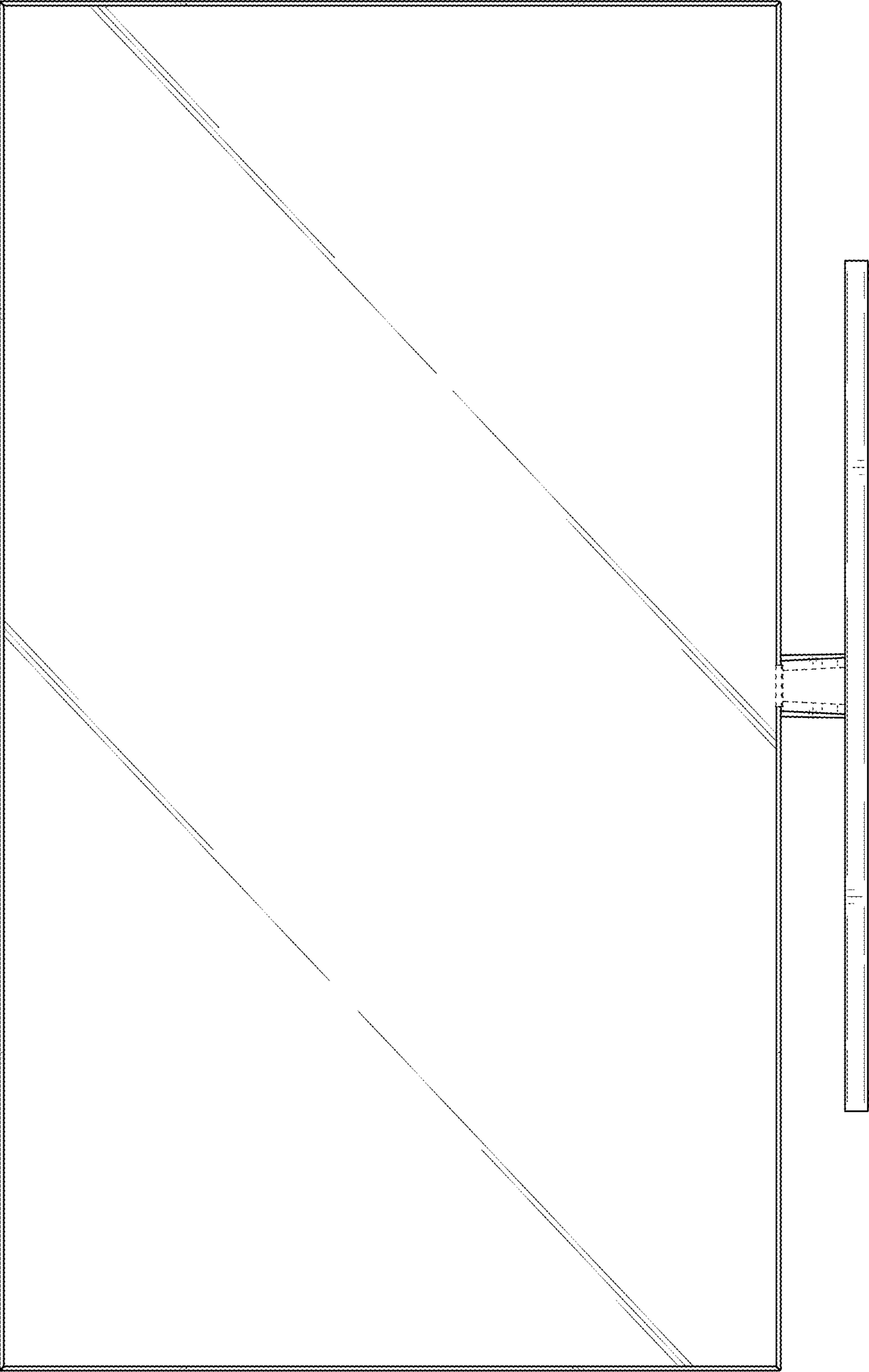


FIG. 3

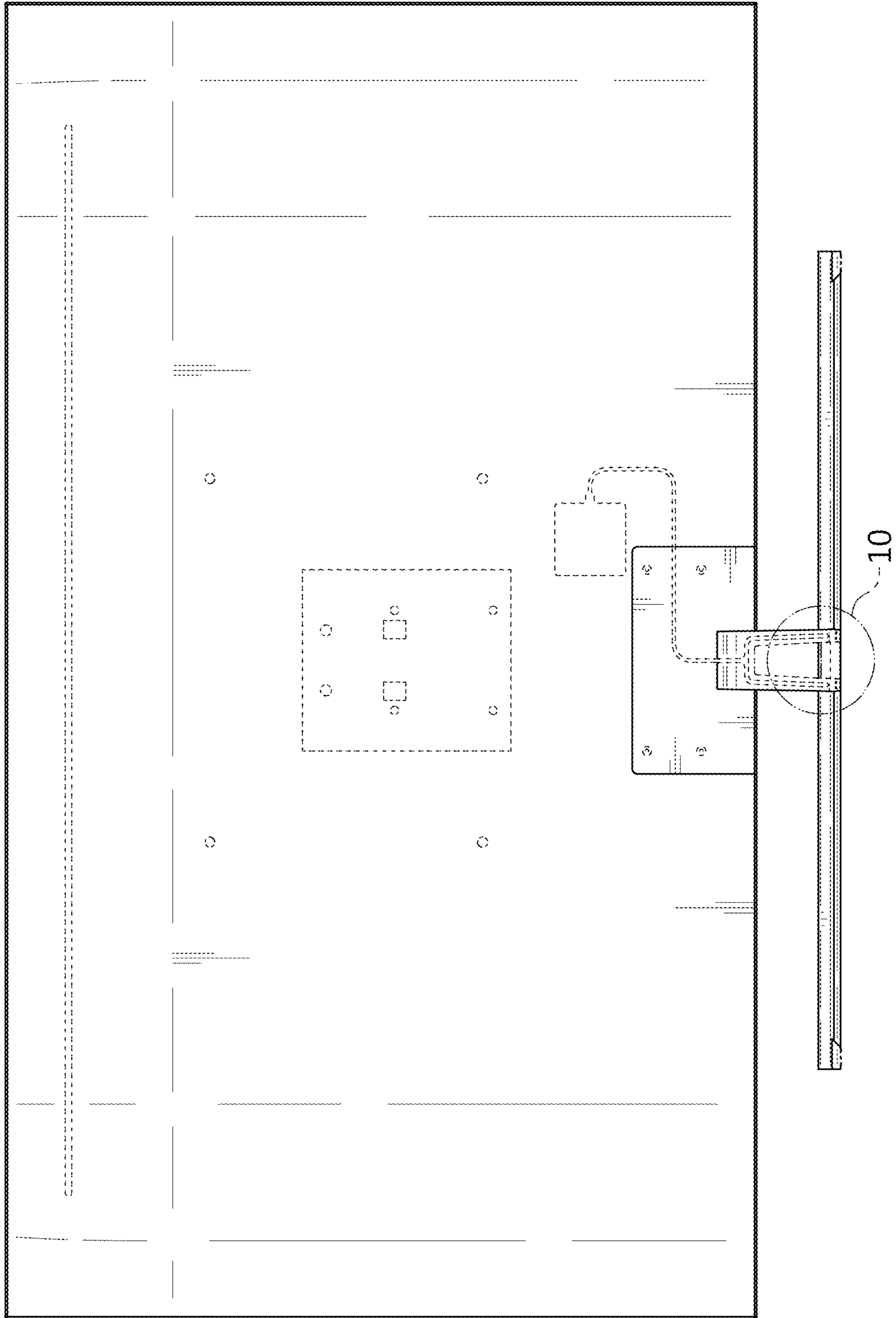


FIG. 5

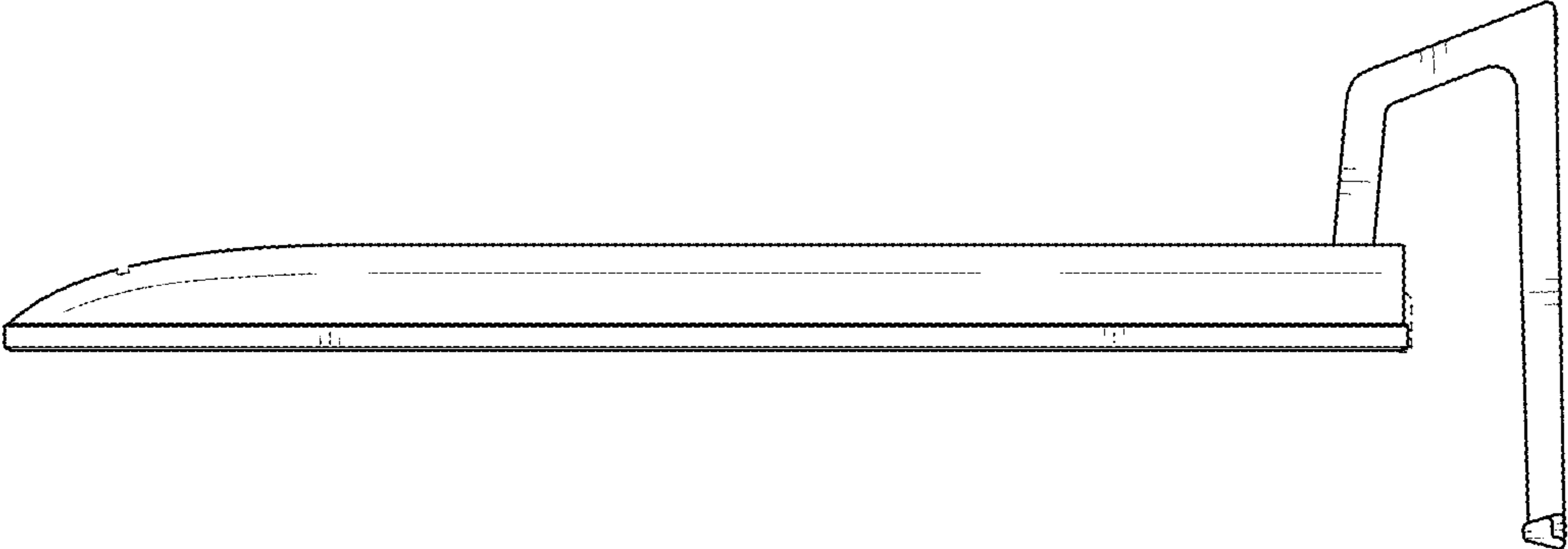


FIG. 4

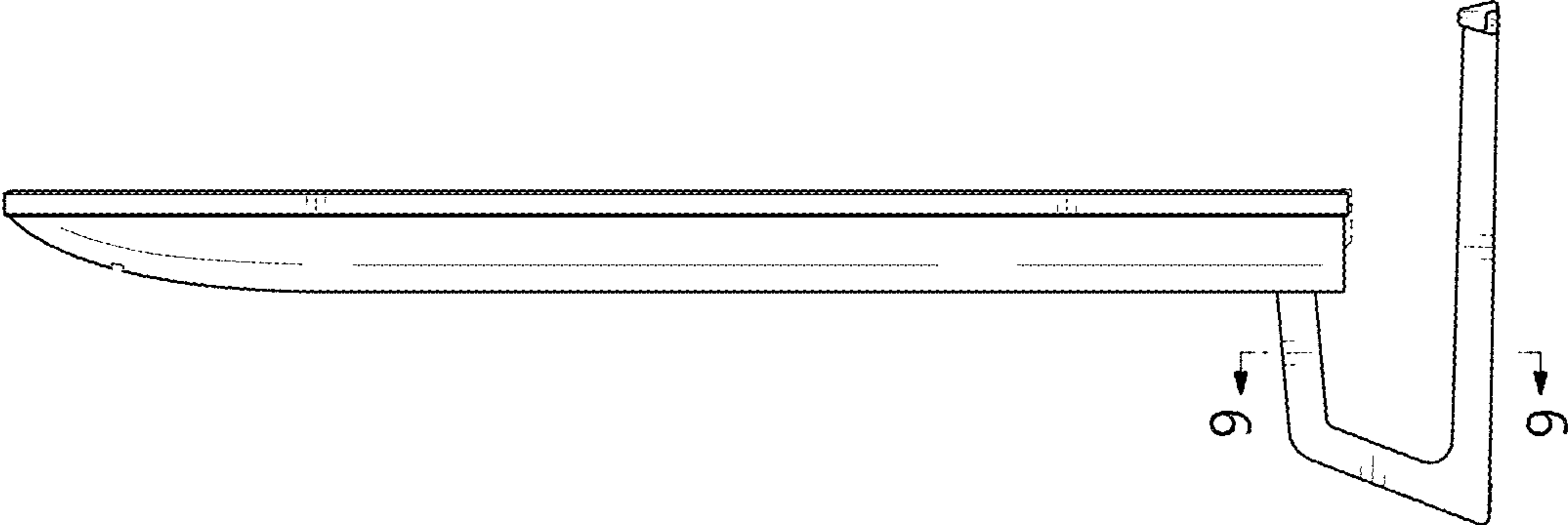


FIG. 6

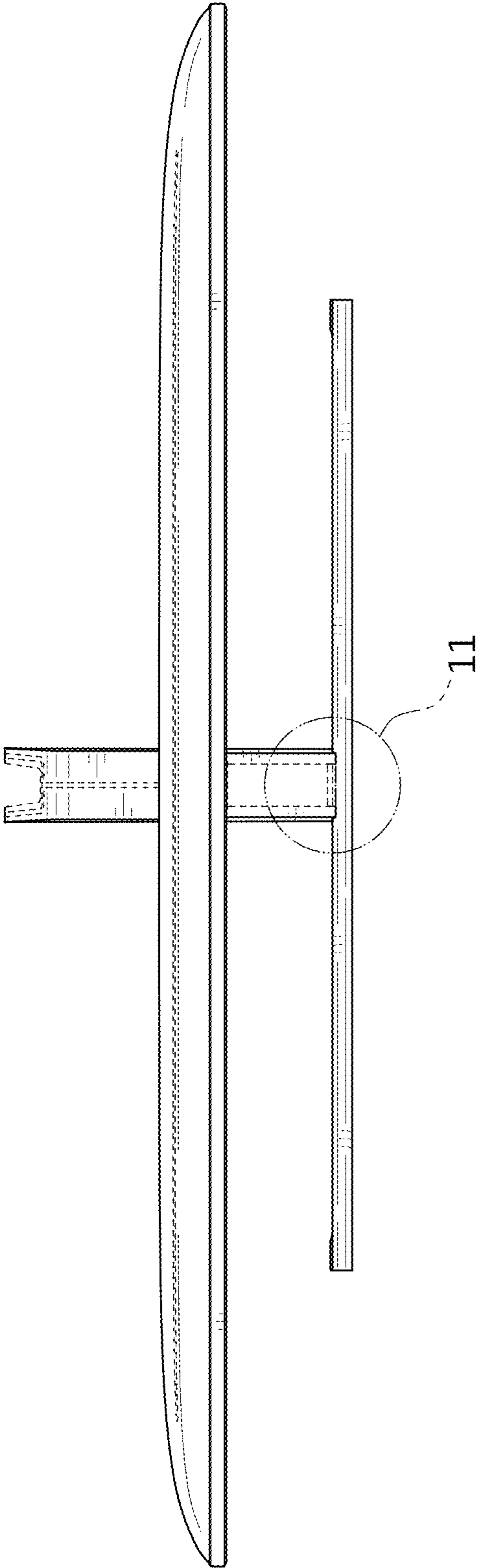


FIG. 7

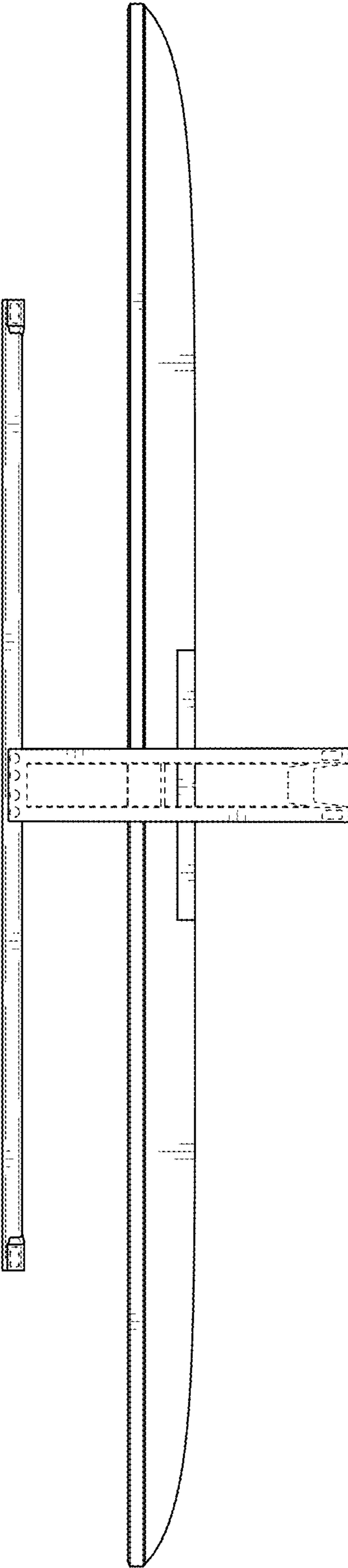


FIG. 8

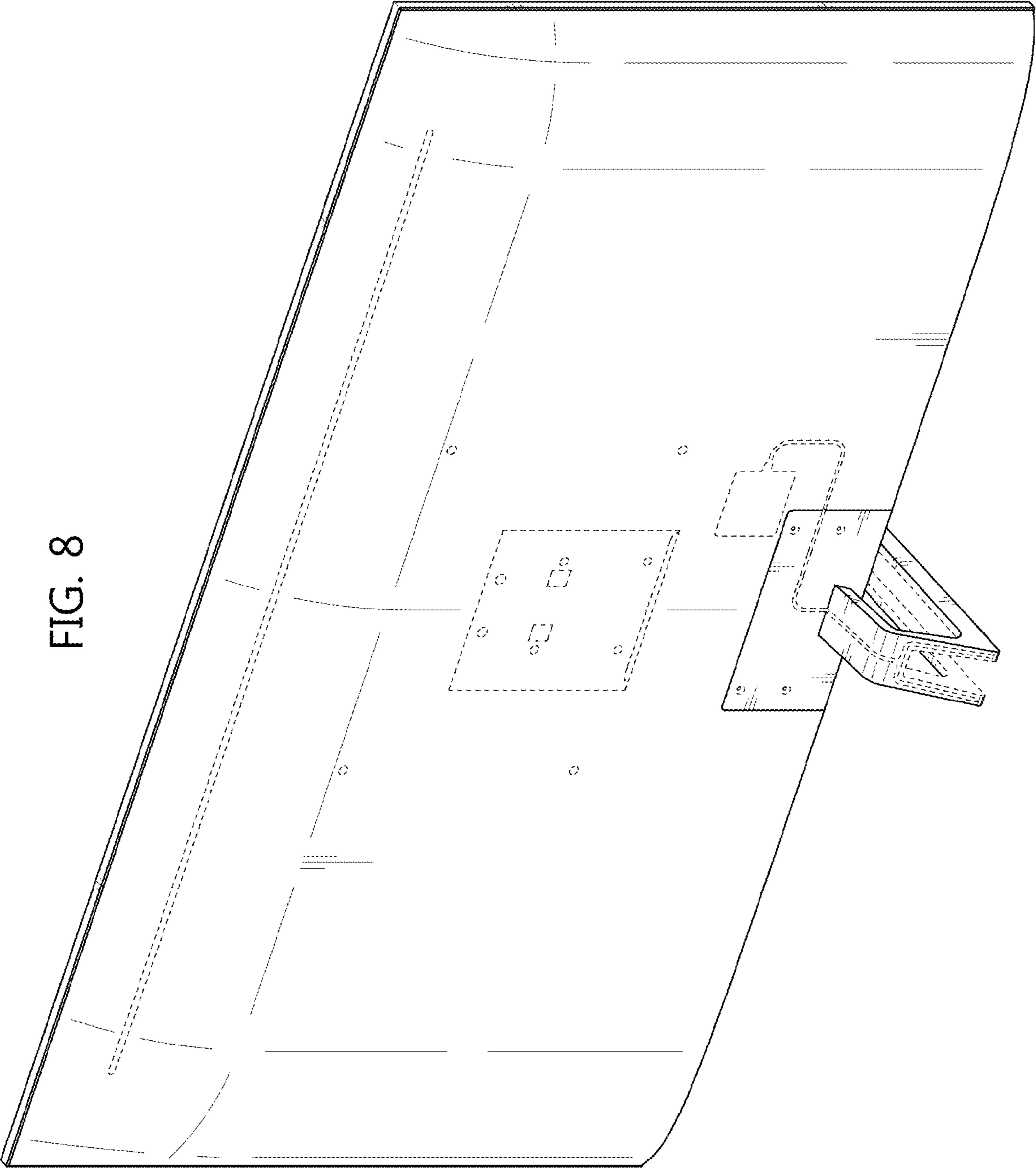


FIG. 9

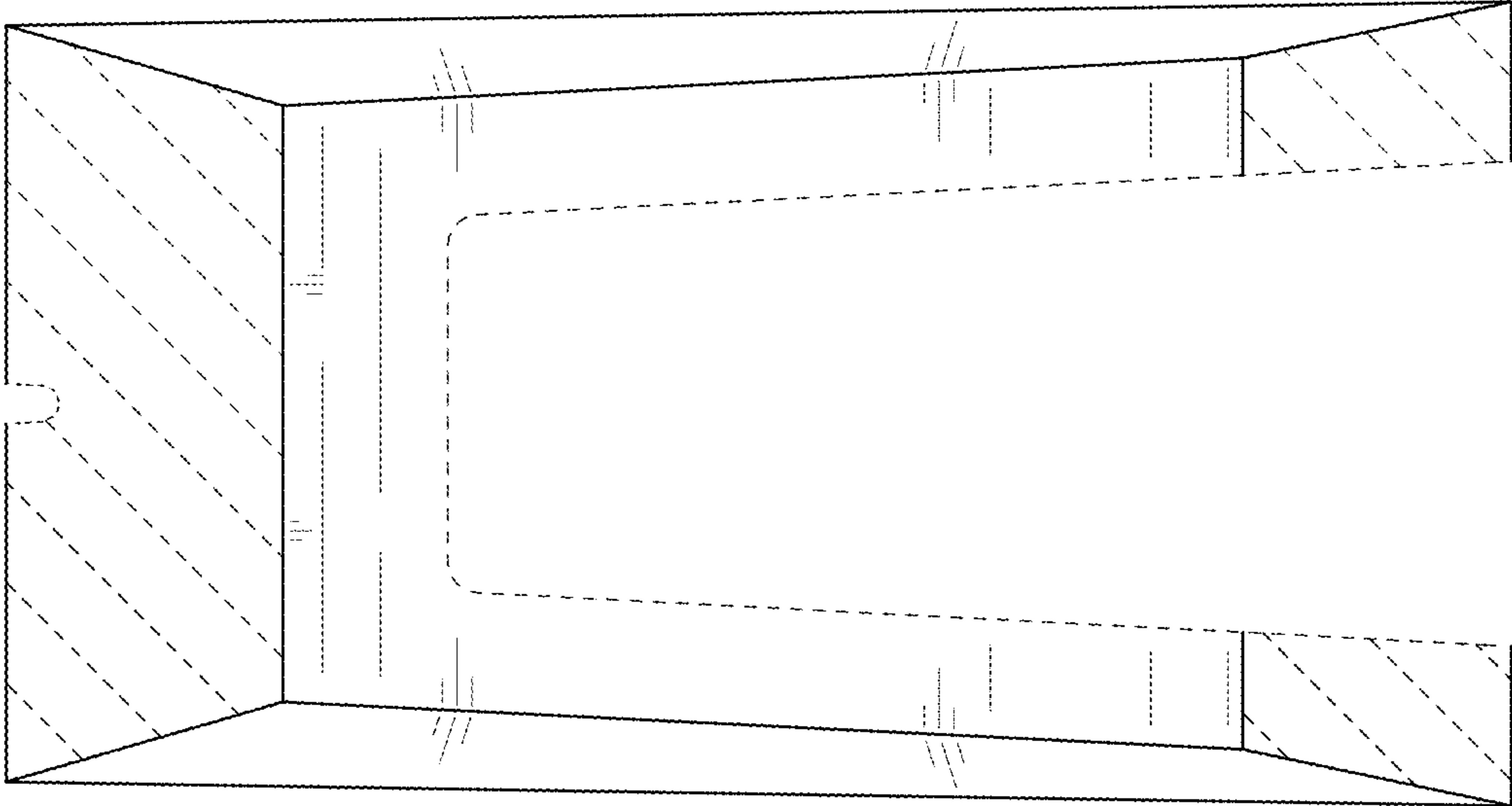


FIG. 10

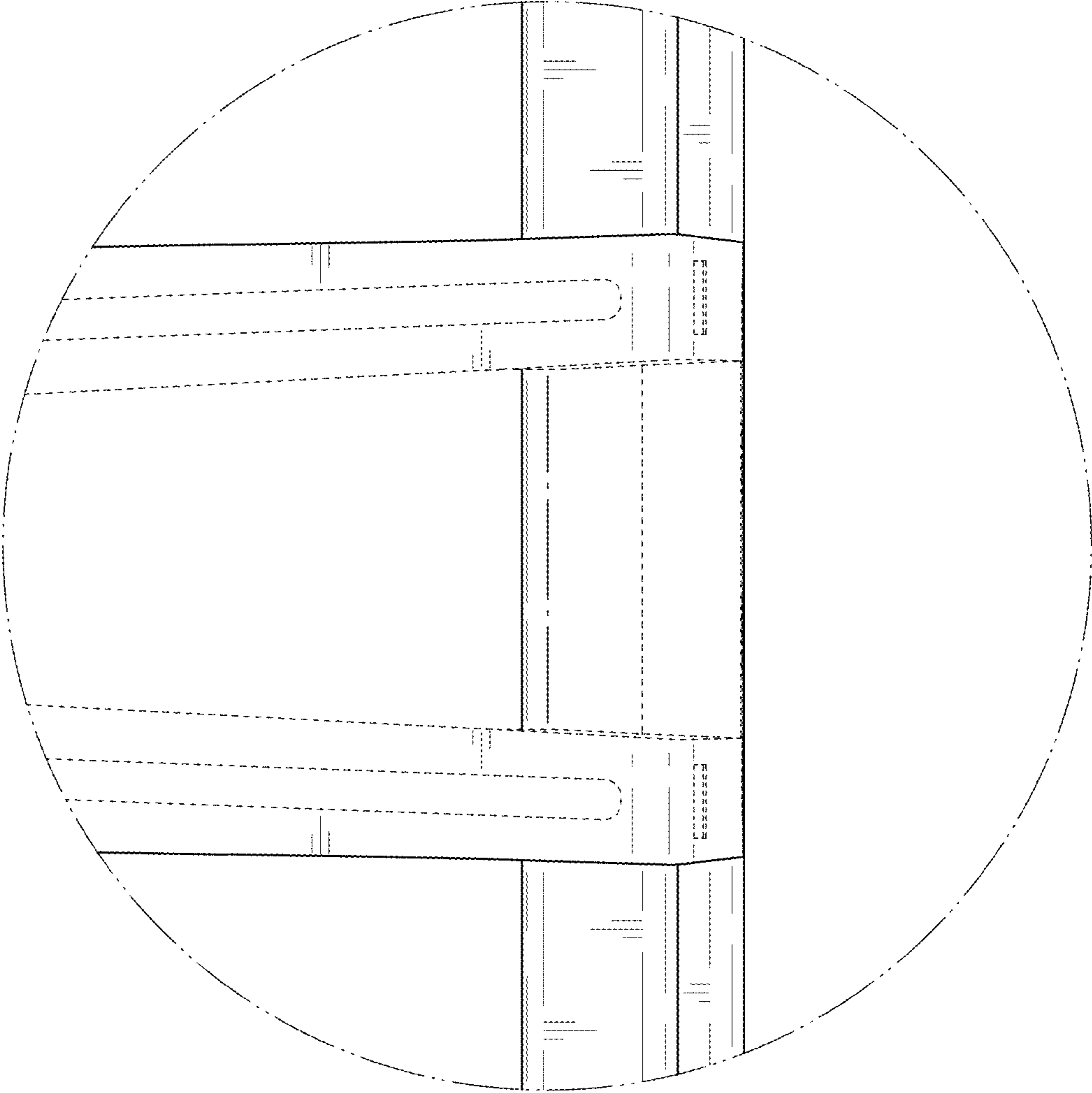


FIG. 11

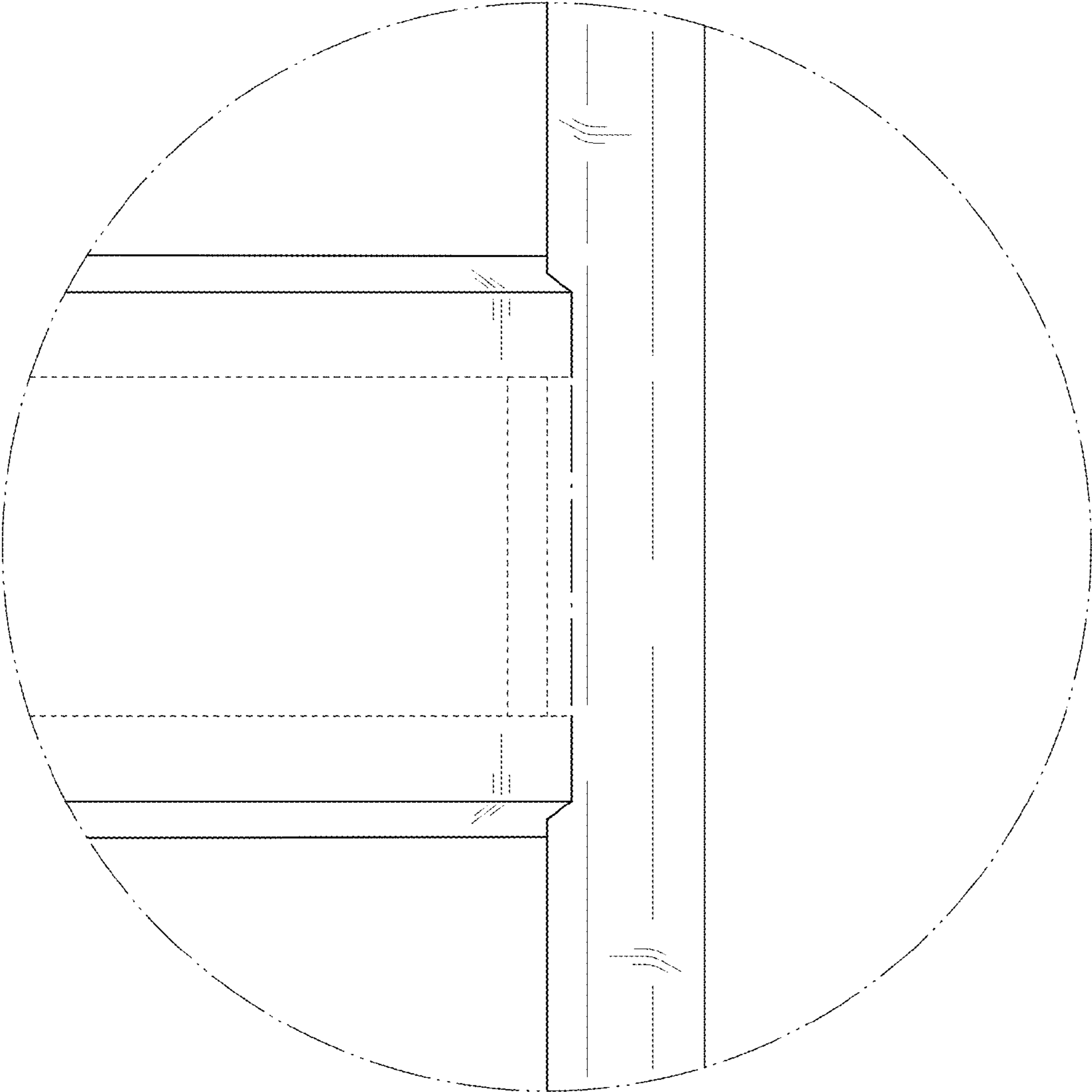


FIG. 12

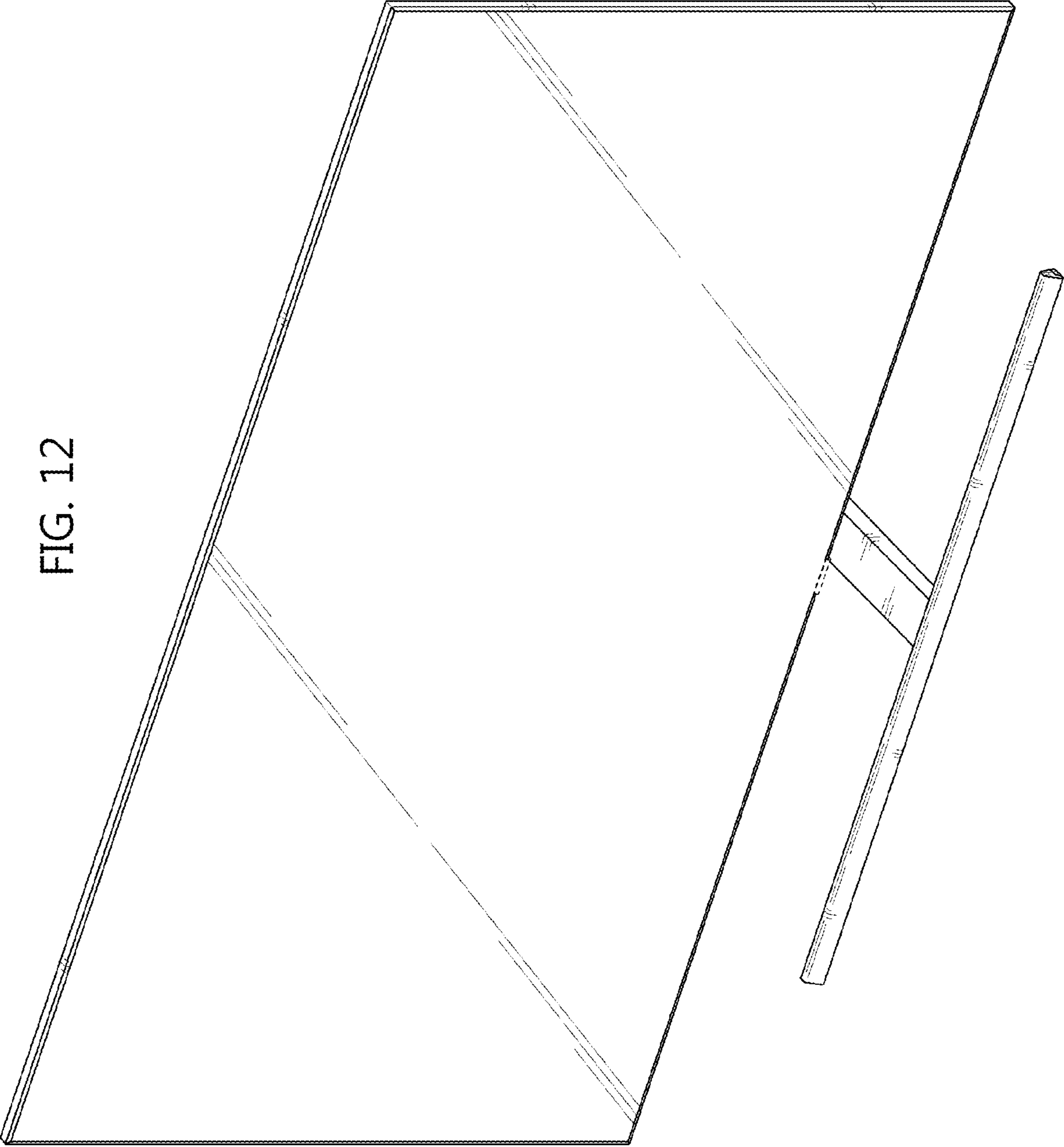


FIG. 13

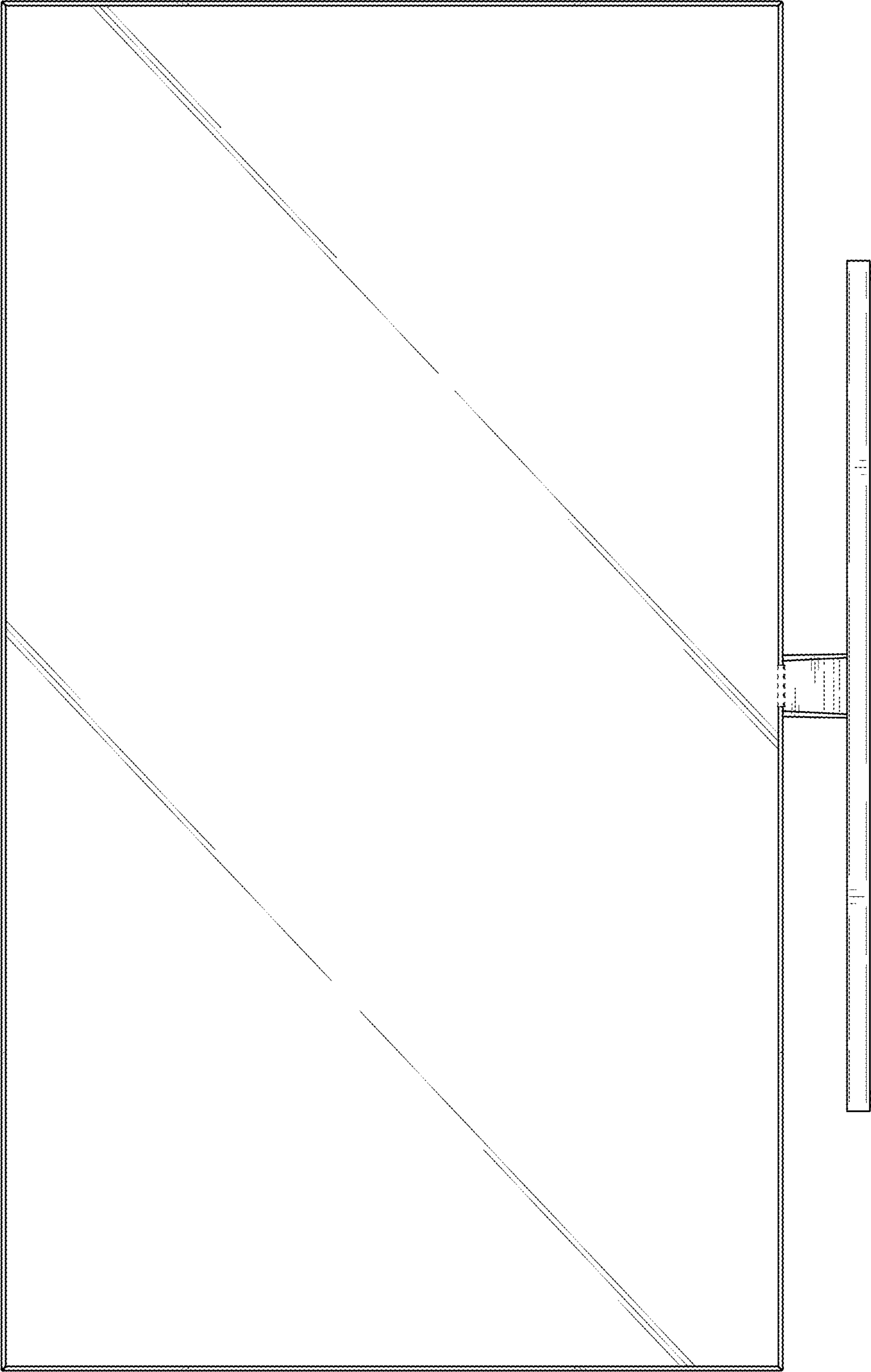


FIG. 14

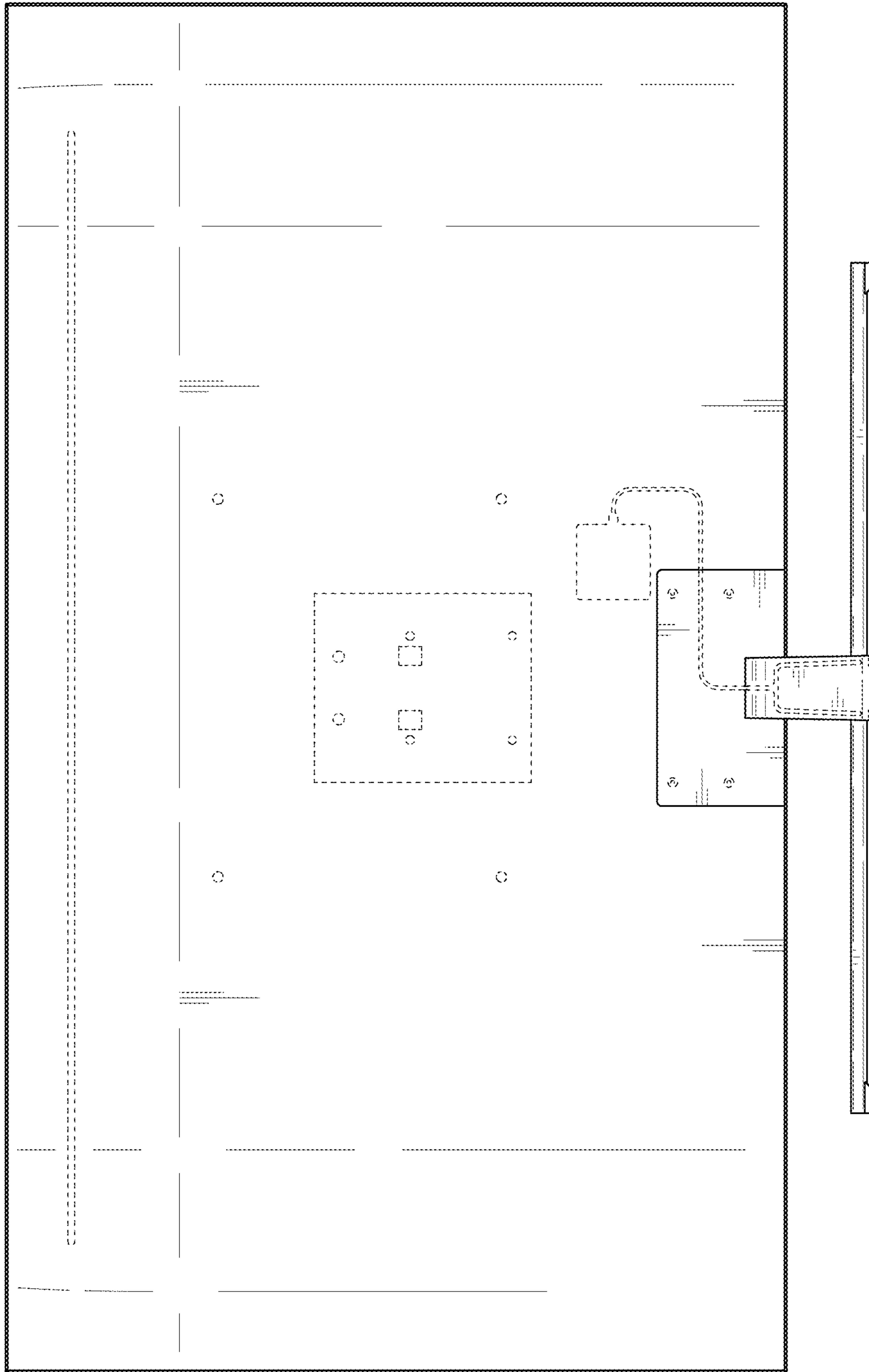


FIG. 16

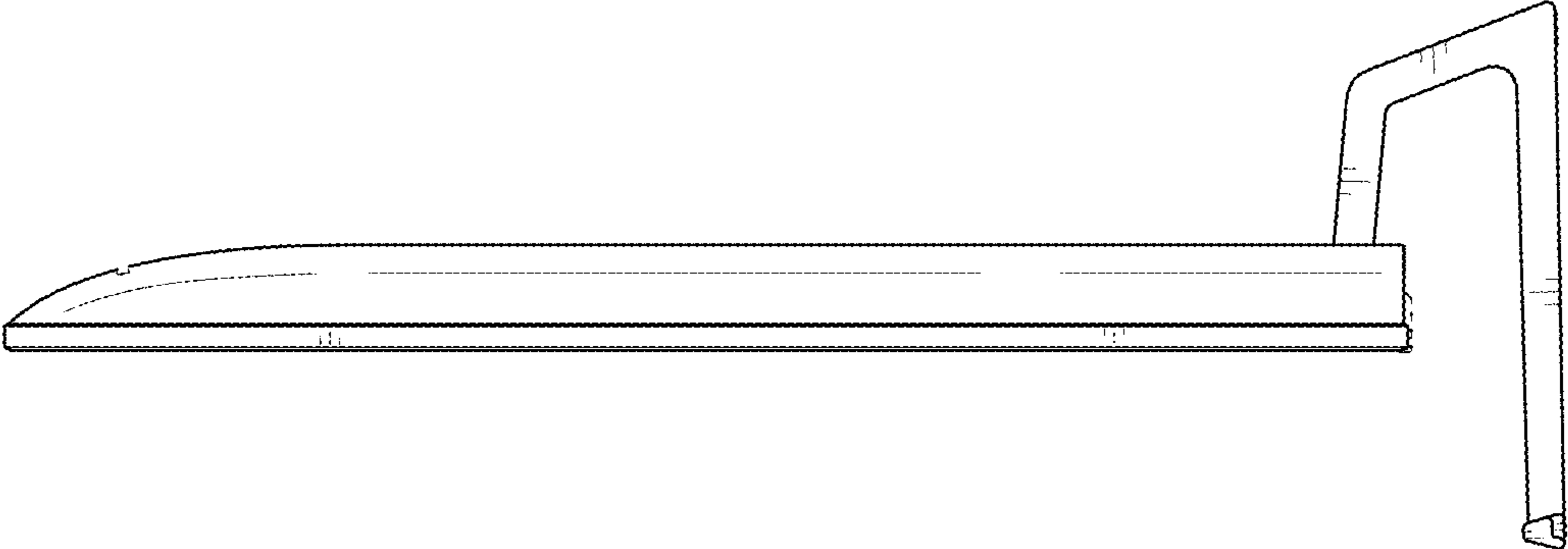


FIG. 15

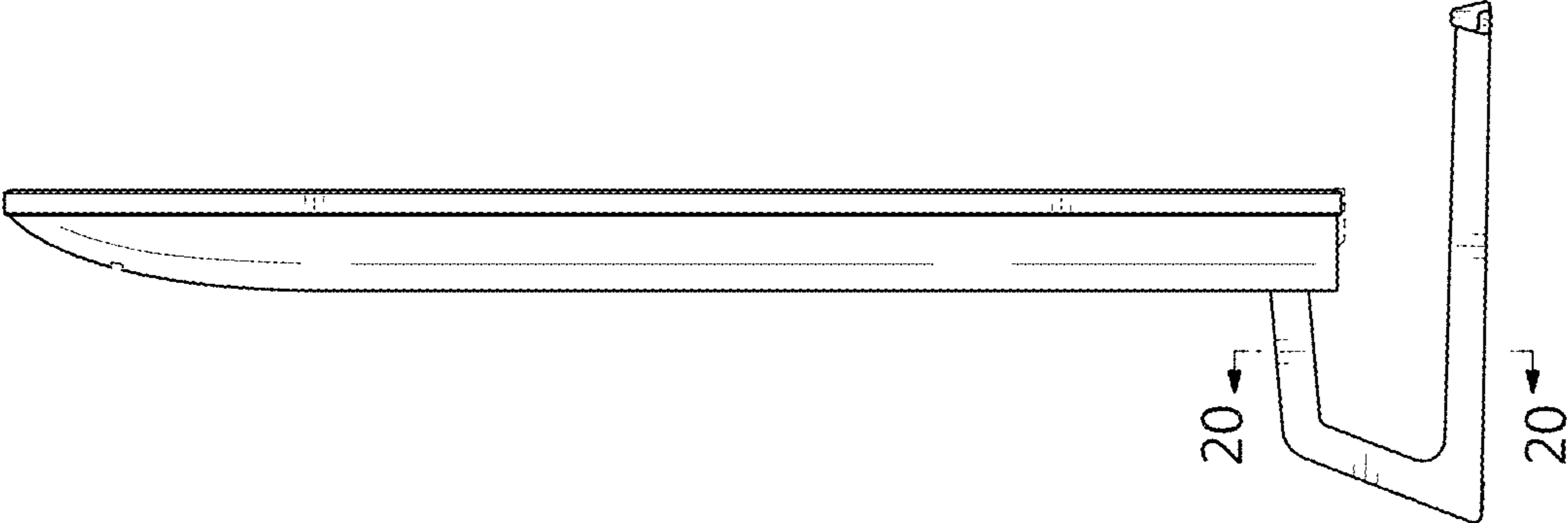


FIG. 17

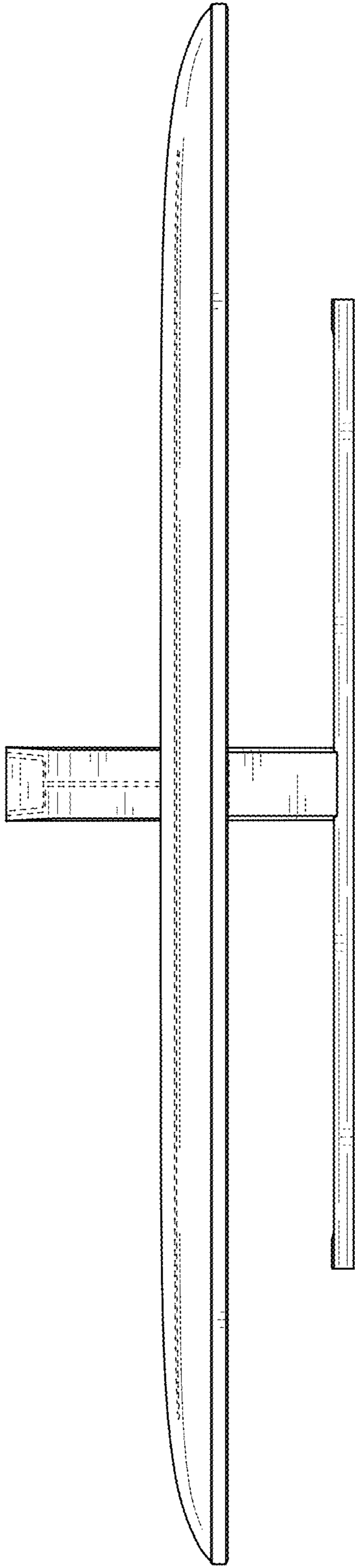


FIG. 18

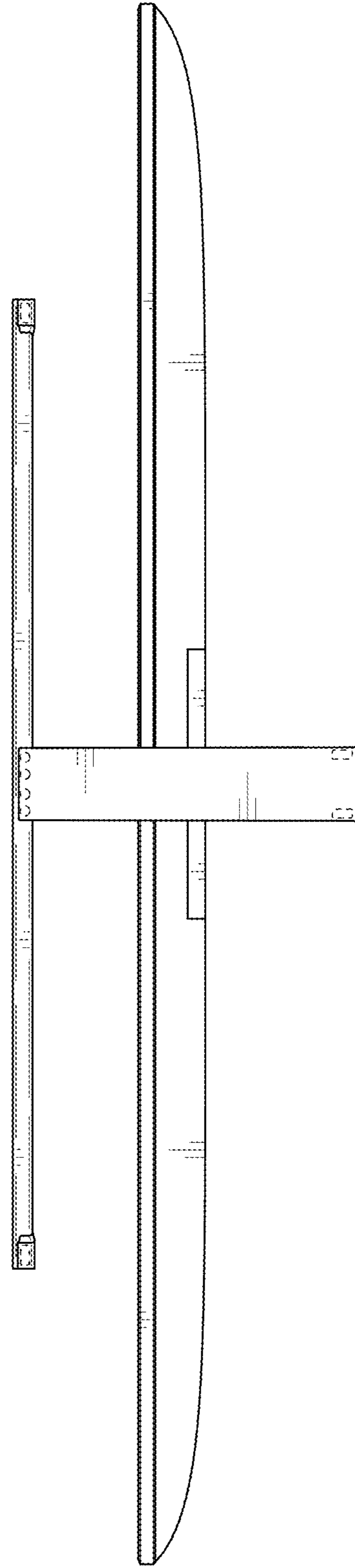


FIG. 19

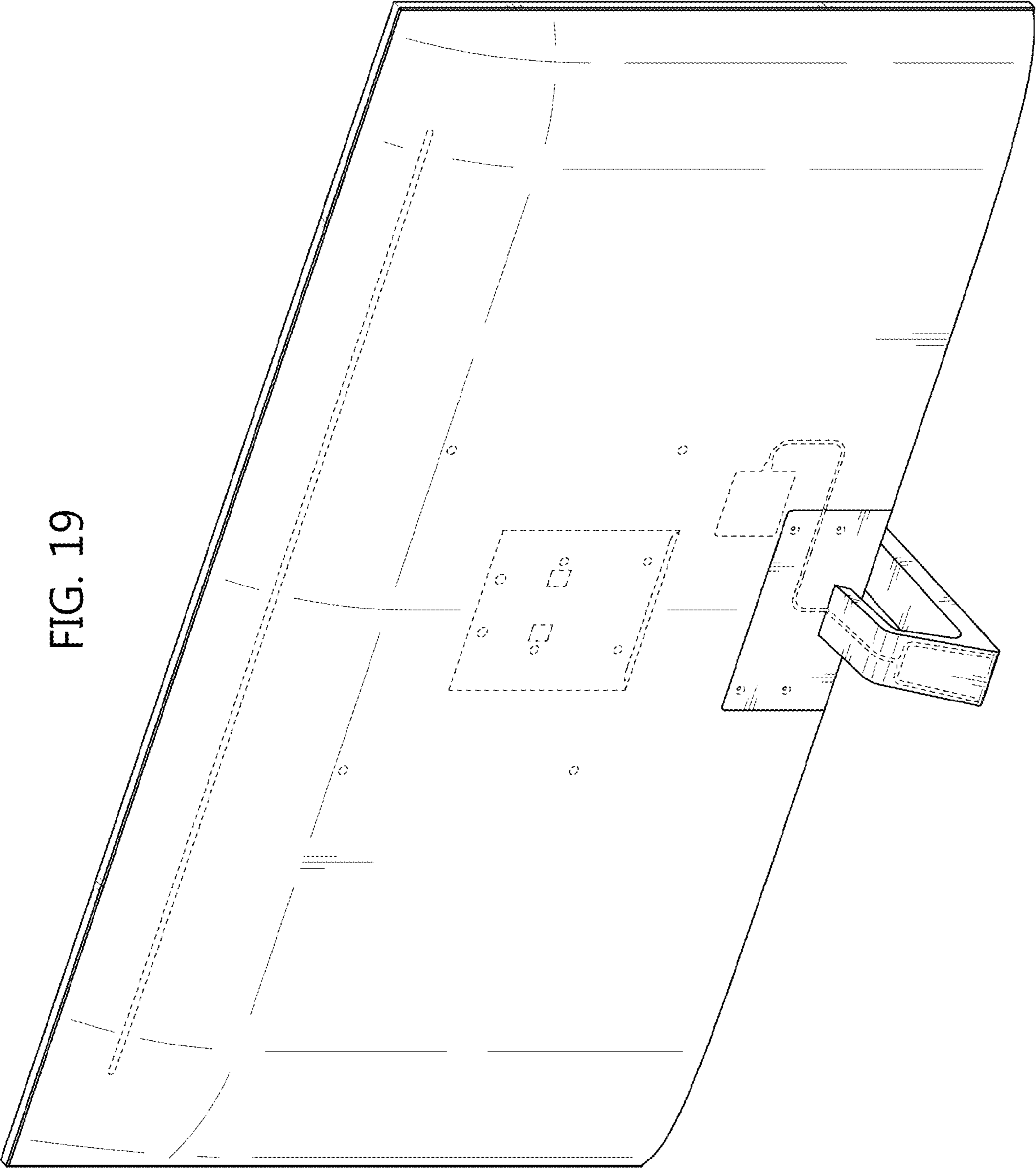


FIG. 20

