



US00D906991S

(12) **United States Design Patent**
Lee et al.

(10) **Patent No.:** **US D906,991 S**
(45) **Date of Patent:** **** Jan. 5, 2021**

(54) **TELEVISION RECEIVER**

FOREIGN PATENT DOCUMENTS

(71) Applicant: **SAMSUNG ELECTRONICS CO., LTD.**, Suwon-si (KR)

CN 201930078487.9 * 10/2019
CN 201930080276.9 * 10/2019

(Continued)

(72) Inventors: **Seungho Lee**, Guri-si (KR); **Eunah Kim**, Seoul (KR); **Jaewook Yoo**, Seoul (KR); **Jangho Kim**, Seoul (KR)

OTHER PUBLICATIONS

(73) Assignee: **SAMSUNG ELECTRONICS CO., LTD.**, Gyeonggi-Do (KR)

55" NU8000 PUHD Flat Smart TV 4K, 2018 [online], [retrieved Aug. 22, 2020], Retrieved from Internet, URL: <https://www.samsung.com/latin_en/tvs/uhdtv-nu8000/UN55NU8000PXPA/> (Year: 2018).*

(Continued)

(**) Term: **15 Years**

(21) Appl. No.: **29/681,644**

Primary Examiner — Barbara Fox
Assistant Examiner — Aram Kwon

(22) Filed: **Feb. 27, 2019**

(74) *Attorney, Agent, or Firm* — Cantor Colburn LLP

(30) **Foreign Application Priority Data**

(57) **CLAIM**

Aug. 29, 2018 (KR) 30-2018-0040328

The ornamental design for a television receiver, as shown and described.

(51) **LOC (13) Cl.** **14-03**

DESCRIPTION

(52) **U.S. Cl.**

USPC **D14/126**; D14/239

(58) **Field of Classification Search**

USPC D14/125-137, 239, 334, 335, 371;
D9/414, 770; D6/300

CPC G06F 1/16; G06F 1/1601; G06F 1/1637;
G06F 3/041; G06F 3/0412; G06F 3/0416;
H04N 5/64; H05K 5/0204; H05K 5/0017;
H05K 5/0217; H04M 1/725; H04M
1/0202; H04M 1/0266

See application file for complete search history.

FIG. 1 is a front perspective view of a television receiver, showing our new design;
FIG. 2 is a front view thereof;
FIG. 3 is a rear view thereof;
FIG. 4 is a left-side view thereof;
FIG. 5 is a right-side view thereof;
FIG. 6 is a top view thereof;
FIG. 7 is a bottom view thereof;
FIG. 8 is a rear perspective view thereof;
FIG. 9 is an enlarged view of the encircled portion in FIG. 6; and,
FIG. 10 is an enlarged view of the encircled portion in FIG. 7.

(56) **References Cited**

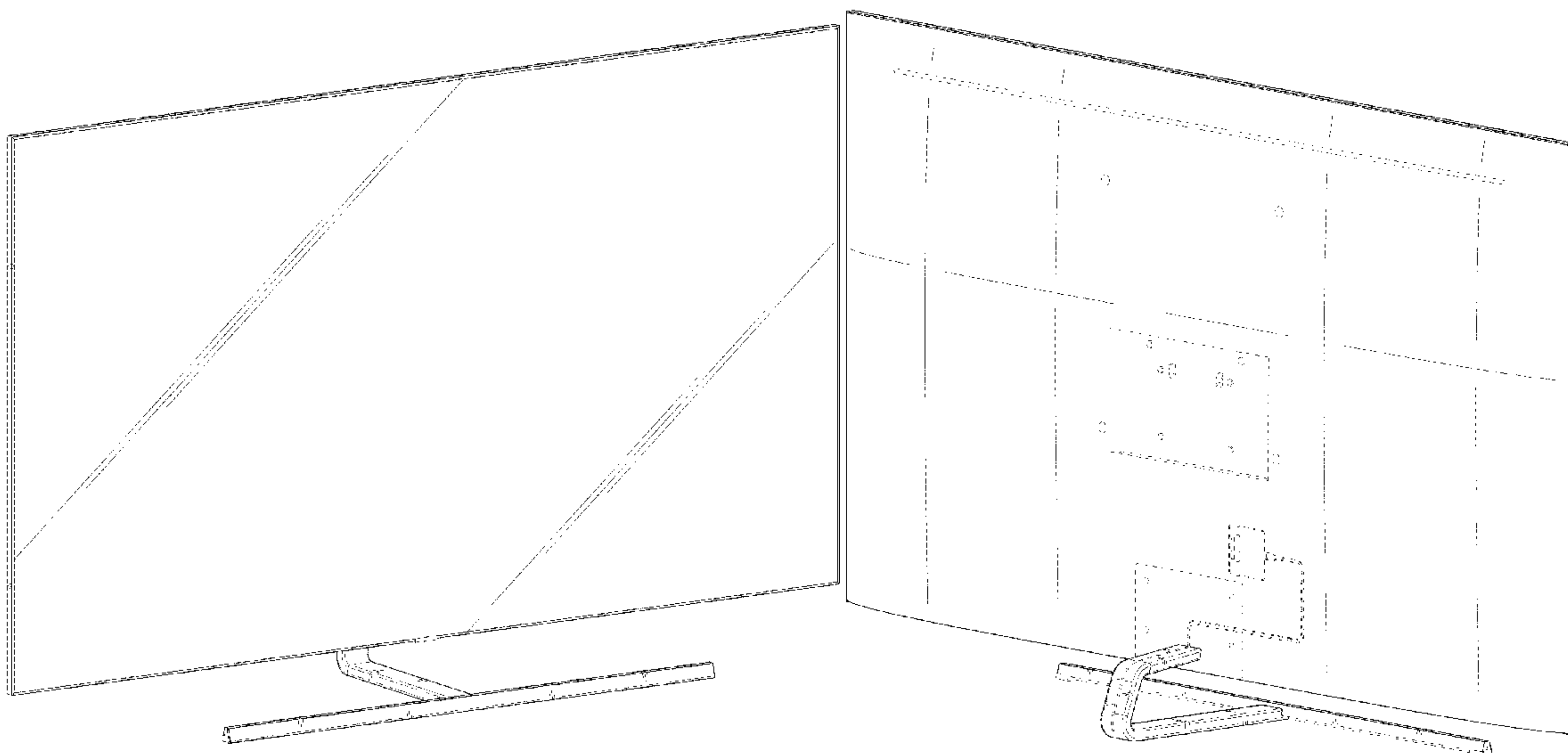
U.S. PATENT DOCUMENTS

D742,378 S * 11/2015 Jung D14/374
D746,799 S * 1/2016 Kim D14/239
D747,299 S * 1/2016 Kim D14/239

The dash-dash broken lines depict portions of the television receiver that form no part of the claimed design. The dot-dot-dash broken lines encircling enlargement portions of the claimed design form no part of the claimed design.

(Continued)

1 Claim, 8 Drawing Sheets



(56)

References Cited

U.S. PATENT DOCUMENTS

D747,300 S * 1/2016 Kim D14/239
 D747,703 S * 1/2016 Kim D14/239
 D750,093 S * 2/2016 Jung D14/451
 D755,164 S * 5/2016 Lee D14/239
 D799,459 S * 10/2017 Lee D14/239
 D800,082 S * 10/2017 Ahn D14/126
 D800,101 S * 10/2017 Park D14/239
 D801,337 S * 10/2017 Lee D14/374
 D817,938 S * 5/2018 Cho D14/239
 D819,583 S * 6/2018 Lee D14/126
 D826,913 S * 8/2018 Cha D14/239
 D857,676 S * 8/2019 Kim D14/239
 D862,429 S * 10/2019 Lee D14/239
 D863,240 S * 10/2019 Lee D14/126
 D866,295 S * 11/2019 Lee D8/354

FOREIGN PATENT DOCUMENTS

KR 300672767 S 12/2012
 KR 300729211 S 2/2014

KR 300729213 S 2/2014
 KR 3020180040328 * 6/2019
 KR 3020180040329 * 6/2019
 KR 3020180058878 * 8/2019
 KR 3020180058879 * 10/2019
 WO WOD201596-012 * 8/2019
 WO WOD201596-013 * 8/2019
 WO WOD201979-001 * 10/2019
 WO WOD201979-003 * 10/2019
 WO WOD201979-004 * 10/2019

OTHER PUBLICATIONS

Samsung 65Q7FN 4K Ultra HD TV review, Jun. 25, 2018 [online], [retrieved Aug. 22, 2020], Retrieved from Internet, URL: <<https://www.techhive.com/article/3272246/samsung-65q7fn-4k-uhd-tv-review.html>> (Year: 2018).*

Bodnara. UDEA Look 320 Ads [online]. p. 1 [retrieved on Feb. 26, 2019]. Retrieved from the Internet: <URL: <https://www.bodnara.co.kr/bbs/article.html?num=130890>.>

* cited by examiner

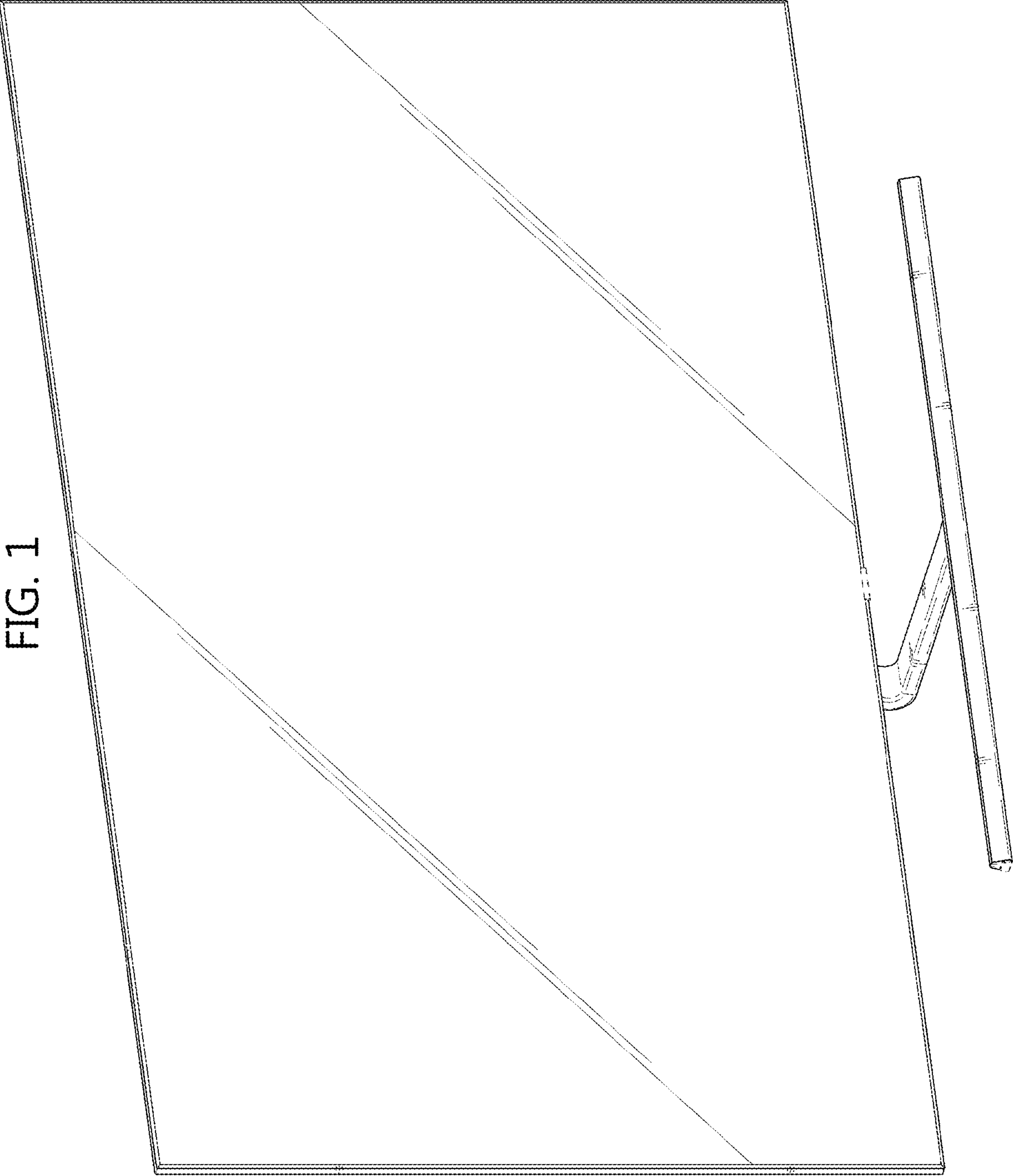


FIG. 1

FIG. 2

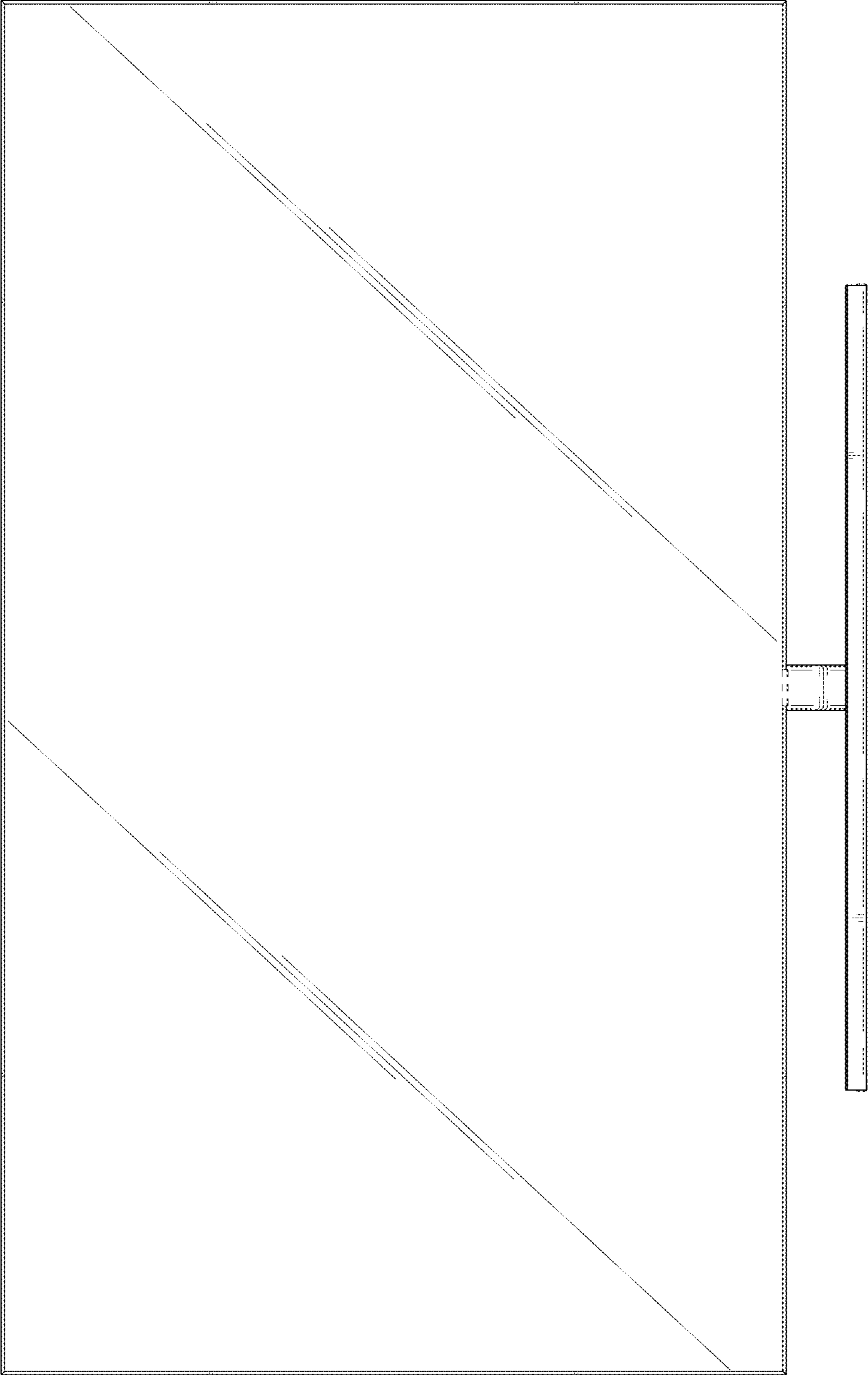


FIG. 3

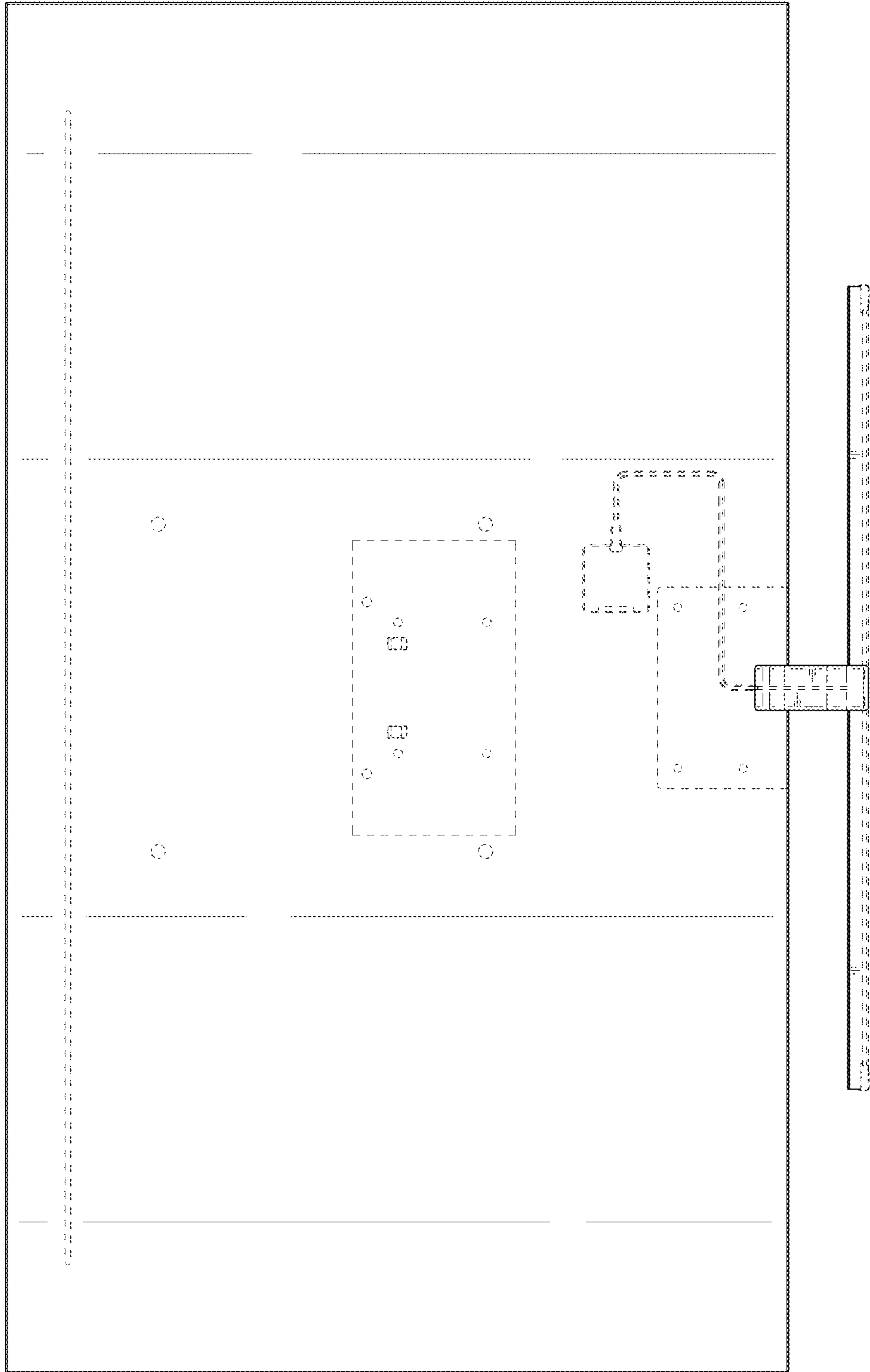


FIG. 5

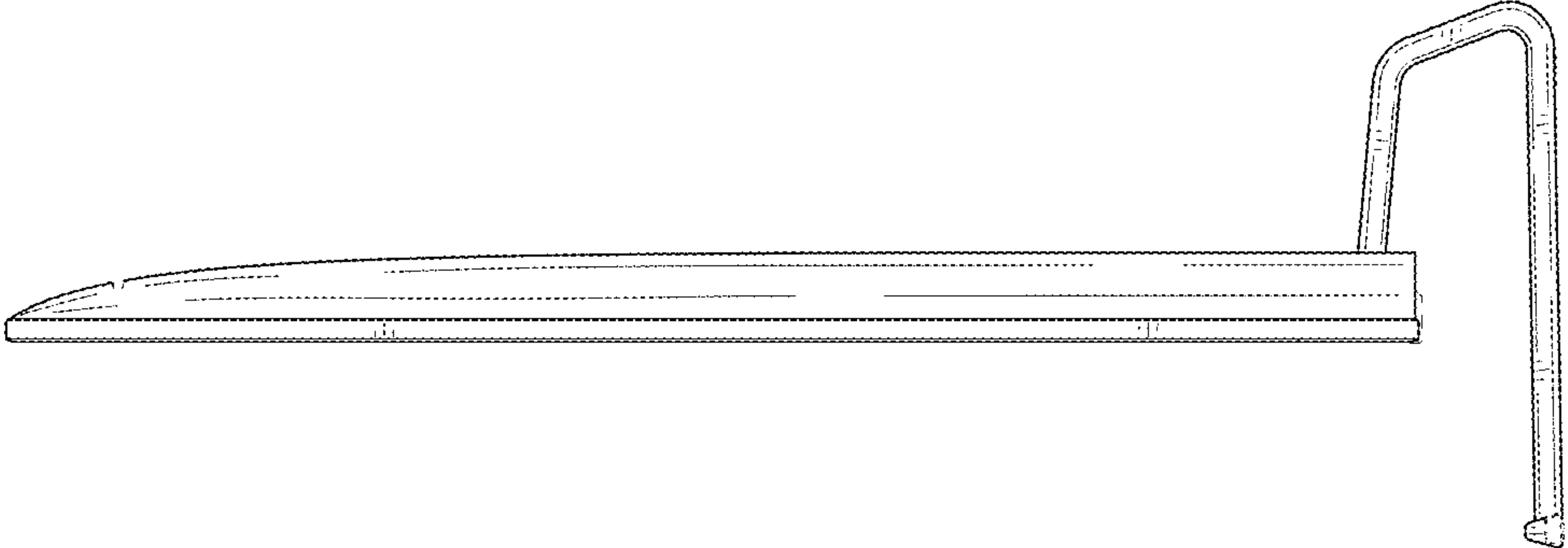


FIG. 4

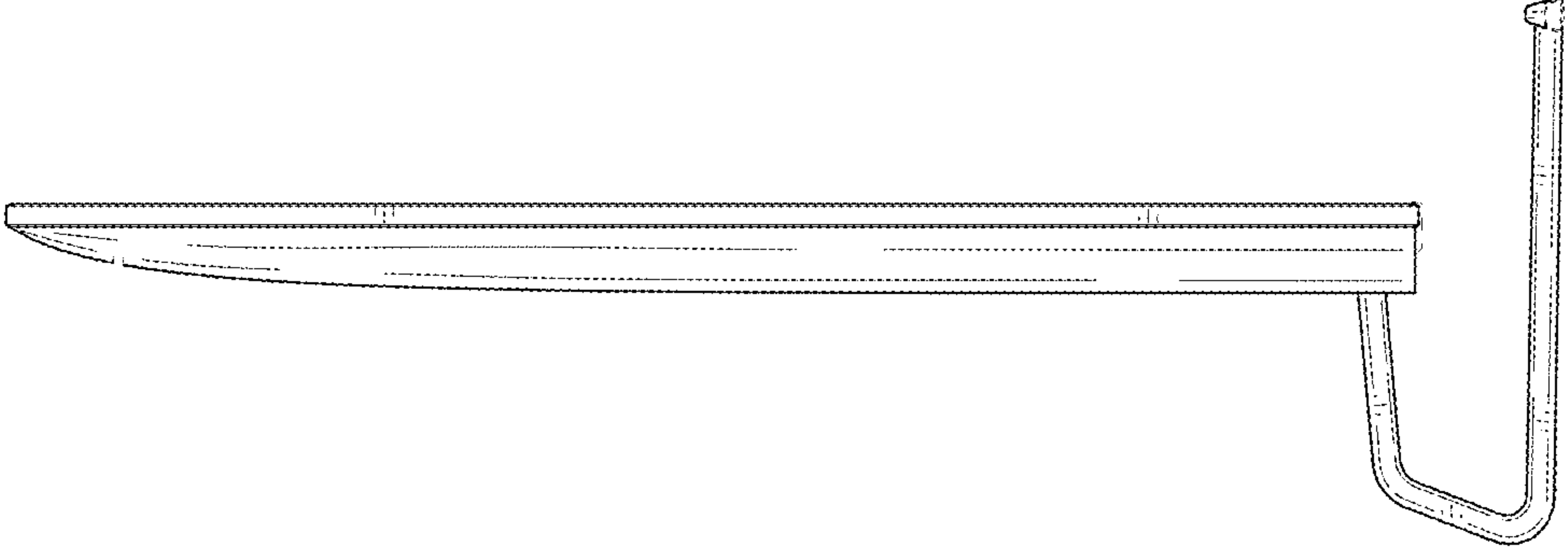


FIG. 6

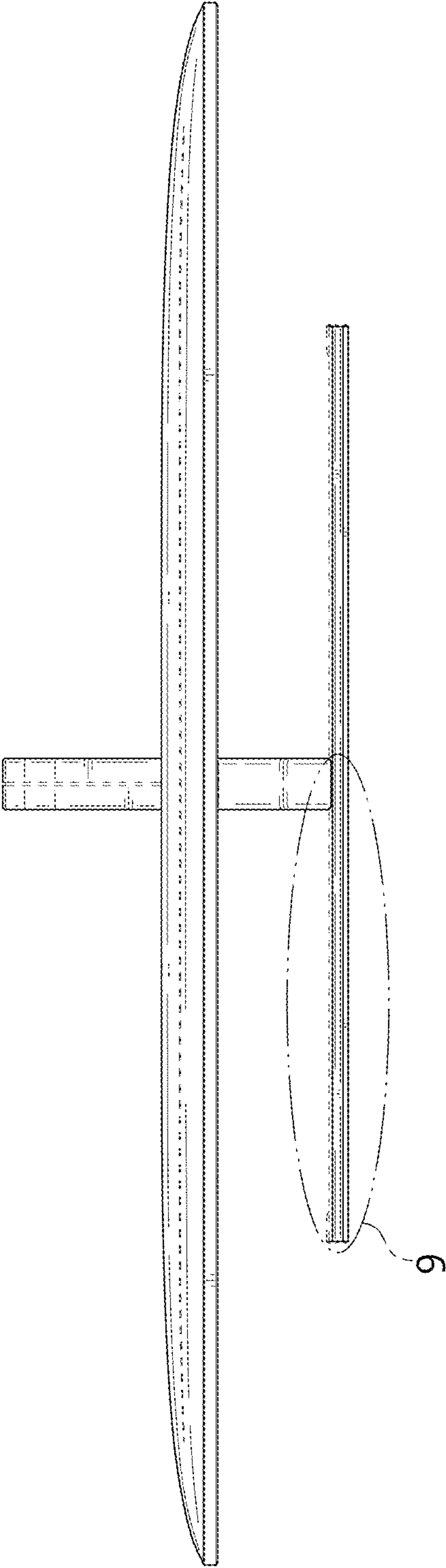


FIG. 7

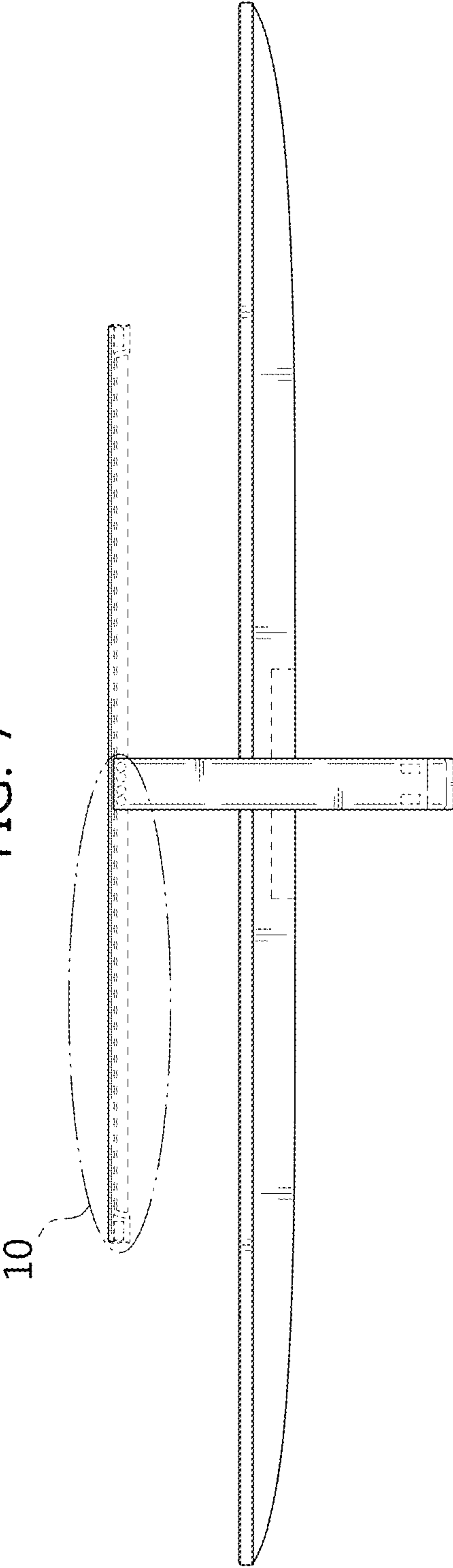


FIG. 8

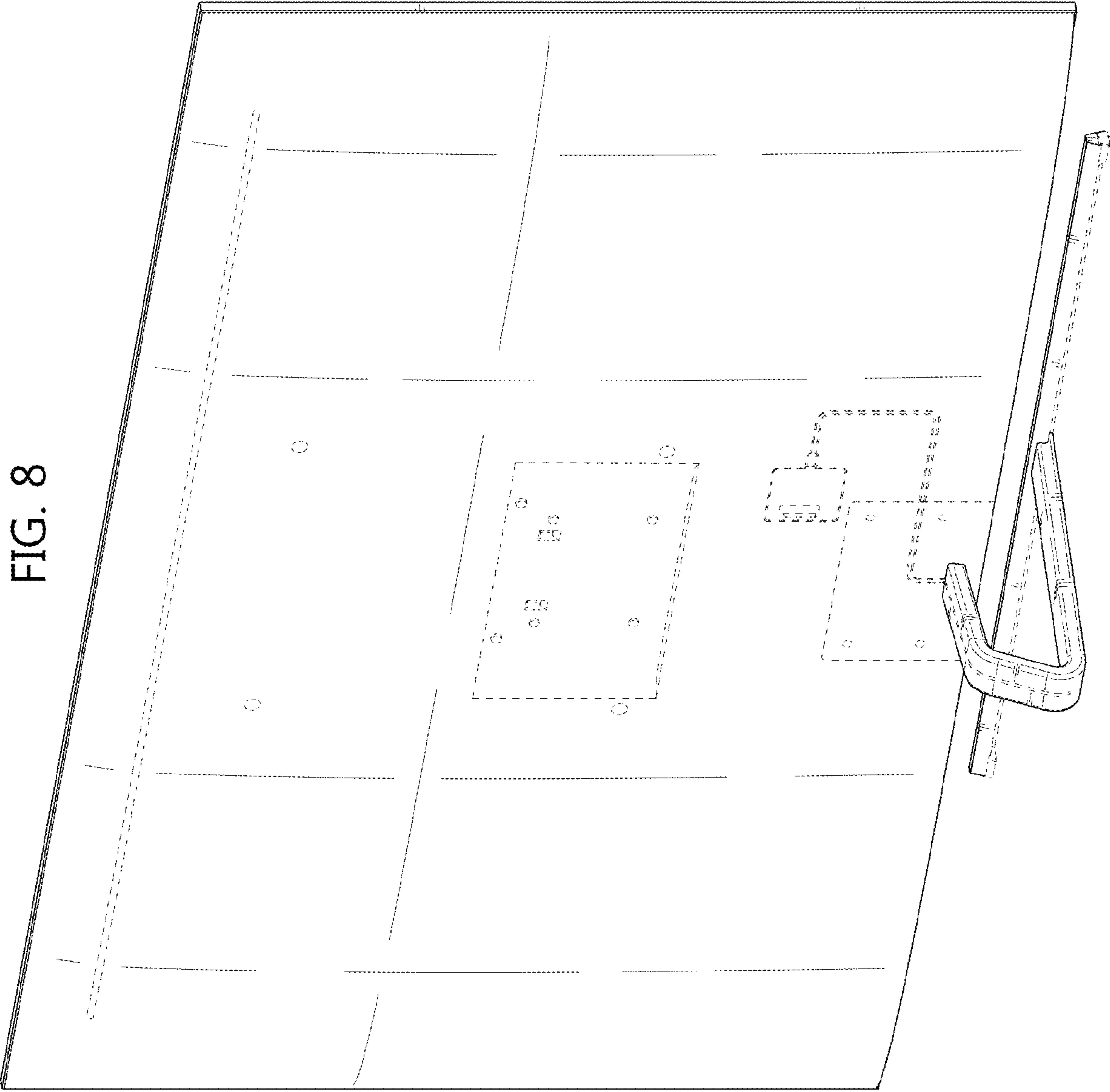


FIG. 9

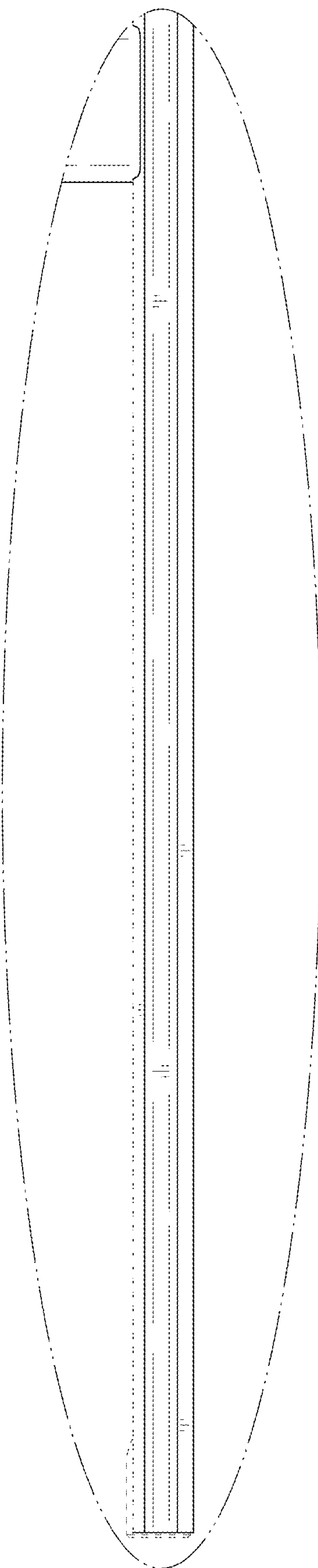


FIG. 10

