



US00D906990S

(12) **United States Design Patent**  
**Choubey et al.**

(10) **Patent No.:** **US D906,990 S**  
(45) **Date of Patent:** **\*\* Jan. 5, 2021**

(54) **ELECTRICAL HOUSING**

(71) Applicant: **Facebook, Inc.**, Menlo Park, CA (US)

(72) Inventors: **Neeraj Choubey**, Belmont, CA (US);  
**Eric P. Aldenbrook**, Cupertino, CA (US); **Mark Duncan Brinkerhoff**,  
Campbell, CA (US); **Gary Robert Schultheis**, Scotts Valley, CA (US);  
**Ronald Scott Boeder**, Livermore, CA (US); **Victor Carrasco**, San Jose, CA (US)

(73) Assignee: **Facebook, Inc.**, Menlo Park, CA (US)

(\*\*) Term: **15 Years**

(21) Appl. No.: **29/744,707**

(22) Filed: **Jul. 30, 2020**

**Related U.S. Application Data**

(62) Division of application No. 29/728,613, filed on Mar. 19, 2020, now Pat. No. Des. 895,562, which is a division of application No. 29/592,848, filed on Feb. 2, 2017, now Pat. No. Des. 882,539.

(51) **LOC (13) Cl.** ..... **13-03**

(52) **U.S. Cl.**  
USPC ..... **D13/184; D14/358**

(58) **Field of Classification Search**  
USPC ... D13/184, 158, 159, 162, 123, 152, 139.3,  
D13/179, 133; D14/238, 240  
CPC ... H04W 88/08; H04W 88/085; H04W 88/00;  
H04W 88/005; H04W 88/02; H04W  
88/12; H04W 88/14; H04W 88/16; H04W  
88/18; H04W 4/00; H04W 16/26; H01Q  
1/02; H01Q 1/2291; H01Q 1/246; H01Q  
1/42; H04B 1/38

See application file for complete search history.

(56) **References Cited**

U.S. PATENT DOCUMENTS

D312,244 S *	11/1990	Collins	.....	D13/152
D360,620 S *	7/1995	Gehrs	.....	D13/152
D367,646 S *	3/1996	Schneider	.....	D13/152
5,497,416 A *	3/1996	Butler, III	.....	H04Q 1/028 379/397
D655,280 S *	3/2012	MacManus	.....	D14/240
D721,349 S *	1/2015	Sugai	.....	D14/159

(Continued)

*Primary Examiner* — Keli L Hill

*Assistant Examiner* — Harold E Blackwell, II

(74) *Attorney, Agent, or Firm* — Baker Botts L.L.P.

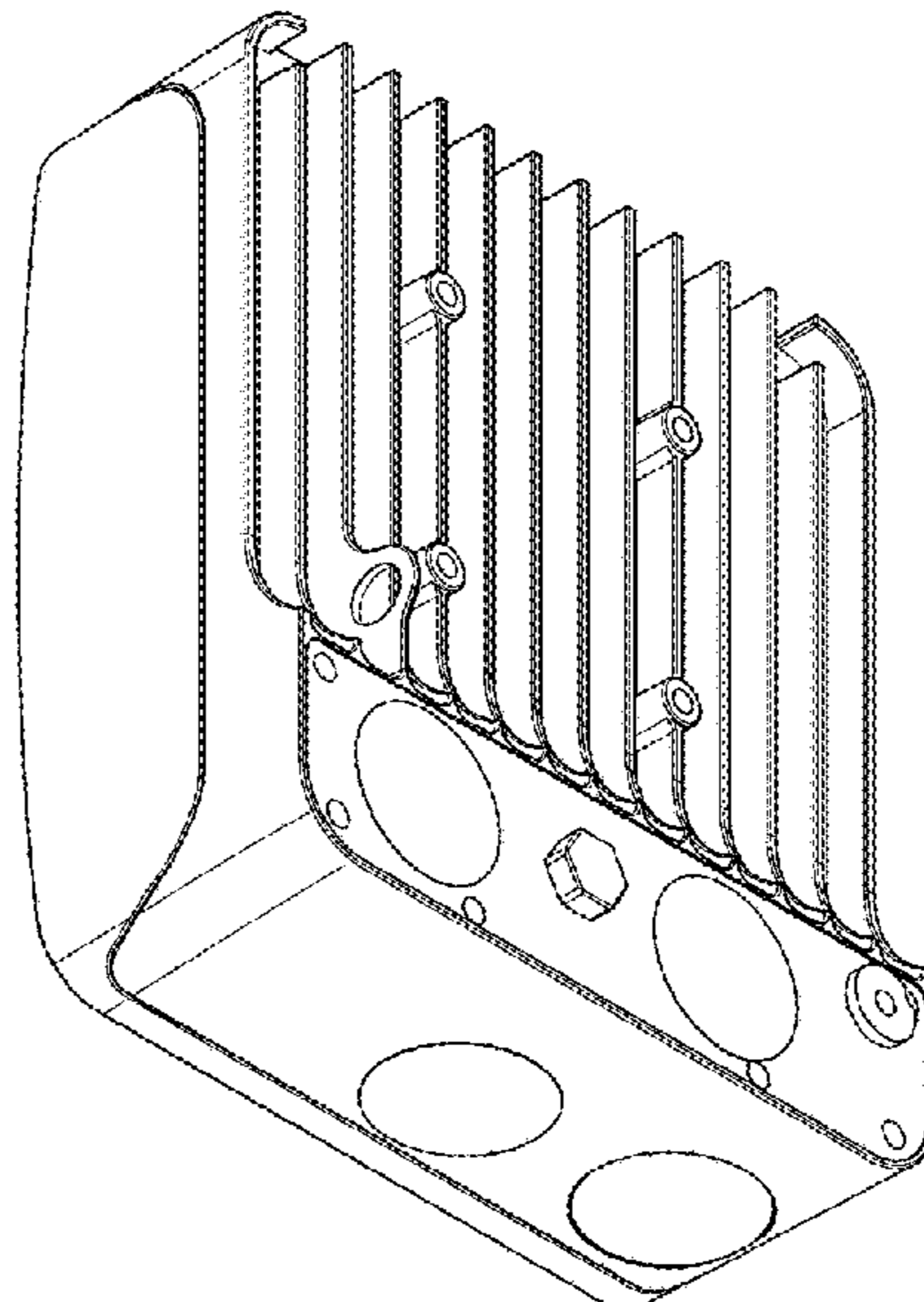
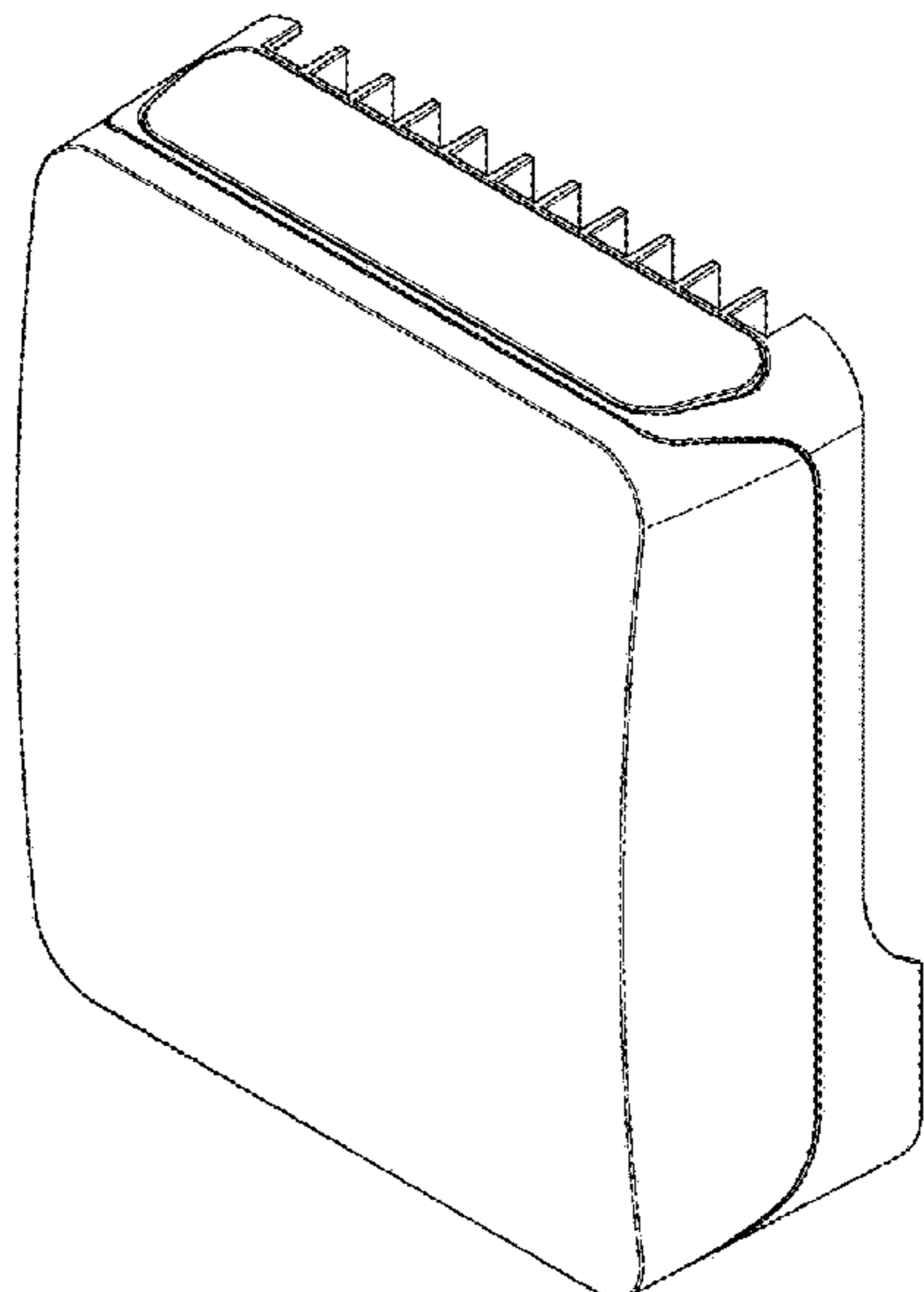
(57) **CLAIM**

The ornamental design for an electrical housing, as shown and described.

**DESCRIPTION**

FIG. 1 is a view of an electrical housing showing the design. FIG. 2 is another view thereof. FIG. 3 is another view thereof. FIG. 4 is another view thereof. FIG. 5 is another view thereof. FIG. 6 is another view thereof. FIG. 7 is another view thereof. FIG. 8 is another view thereof. FIG. 9 is another view thereof. FIG. 10 is another view thereof. FIG. 11 is another view thereof. FIG. 12 is another view thereof. FIG. 13 is another view thereof. FIG. 14 is another view thereof. FIG. 15 is another view thereof. FIG. 16 is another view thereof. FIG. 17 is another view thereof; and, FIG. 18 is another view thereof. The shaded lines in the figures show contour and not surface ornamentation.

**1 Claim, 8 Drawing Sheets**



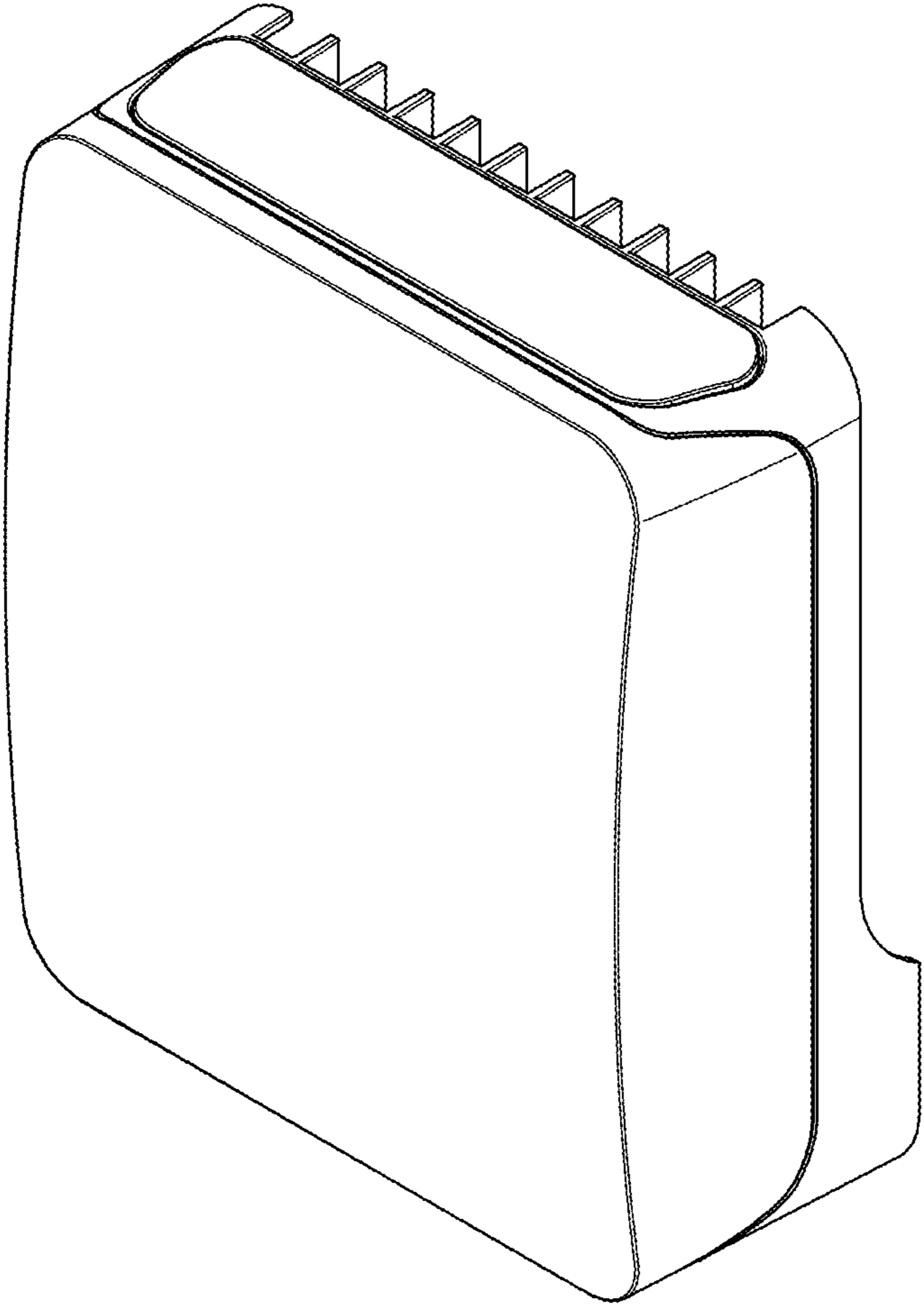
(56)

**References Cited**

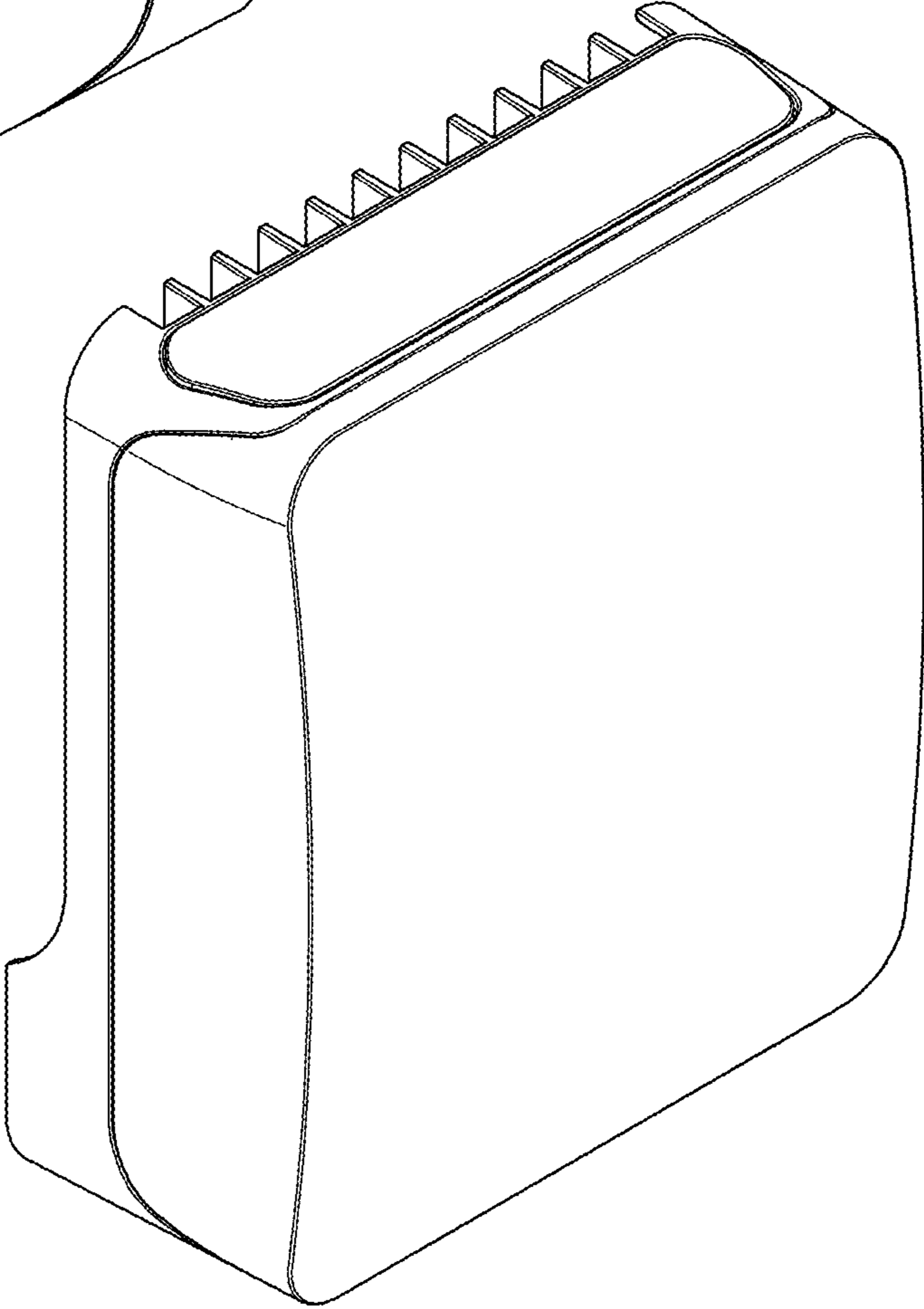
U.S. PATENT DOCUMENTS

D742,864	S	*	11/2015	Kurosawa	.....	D14/240
D783,579	S	*	4/2017	MacManus	.....	D14/240
D783,580	S	*	4/2017	MacManus	.....	D14/240
D784,969	S	*	4/2017	MacManus	.....	D14/240
D784,970	S	*	4/2017	MacManus	.....	D14/240
D789,361	S	*	6/2017	Ali	.....	D14/358
D791,767	S	*	7/2017	Ali	.....	D14/358
D798,296	S	*	9/2017	Ali	.....	D14/358
D825,557	S	*	8/2018	Matsumiya	.....	D14/358
10,044,098	B2	*	8/2018	Ali	.....	H01Q 1/44
D837,208	S	*	1/2019	Ali	.....	D14/358
D837,209	S	*	1/2019	Ali	.....	D14/358
D837,210	S	*	1/2019	Ali	.....	D14/358
D837,784	S	*	1/2019	Ali	.....	D14/358
D856,291	S	*	8/2019	Sun	.....	D14/125
D882,539	S	*	4/2020	Choubey	.....	D13/184
2017/0244158	A1	*	8/2017	Ali	.....	H04B 1/3827

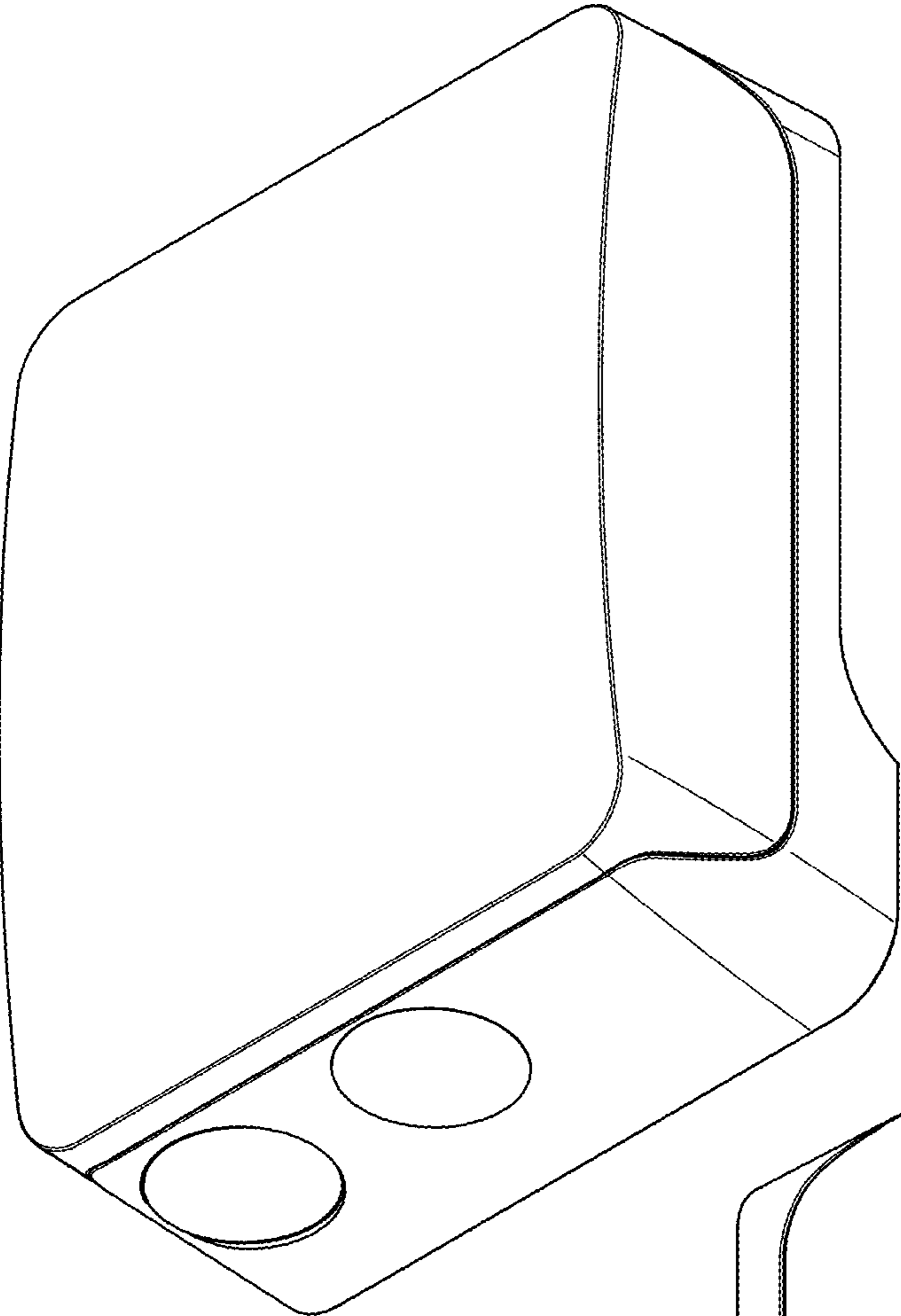
\* cited by examiner



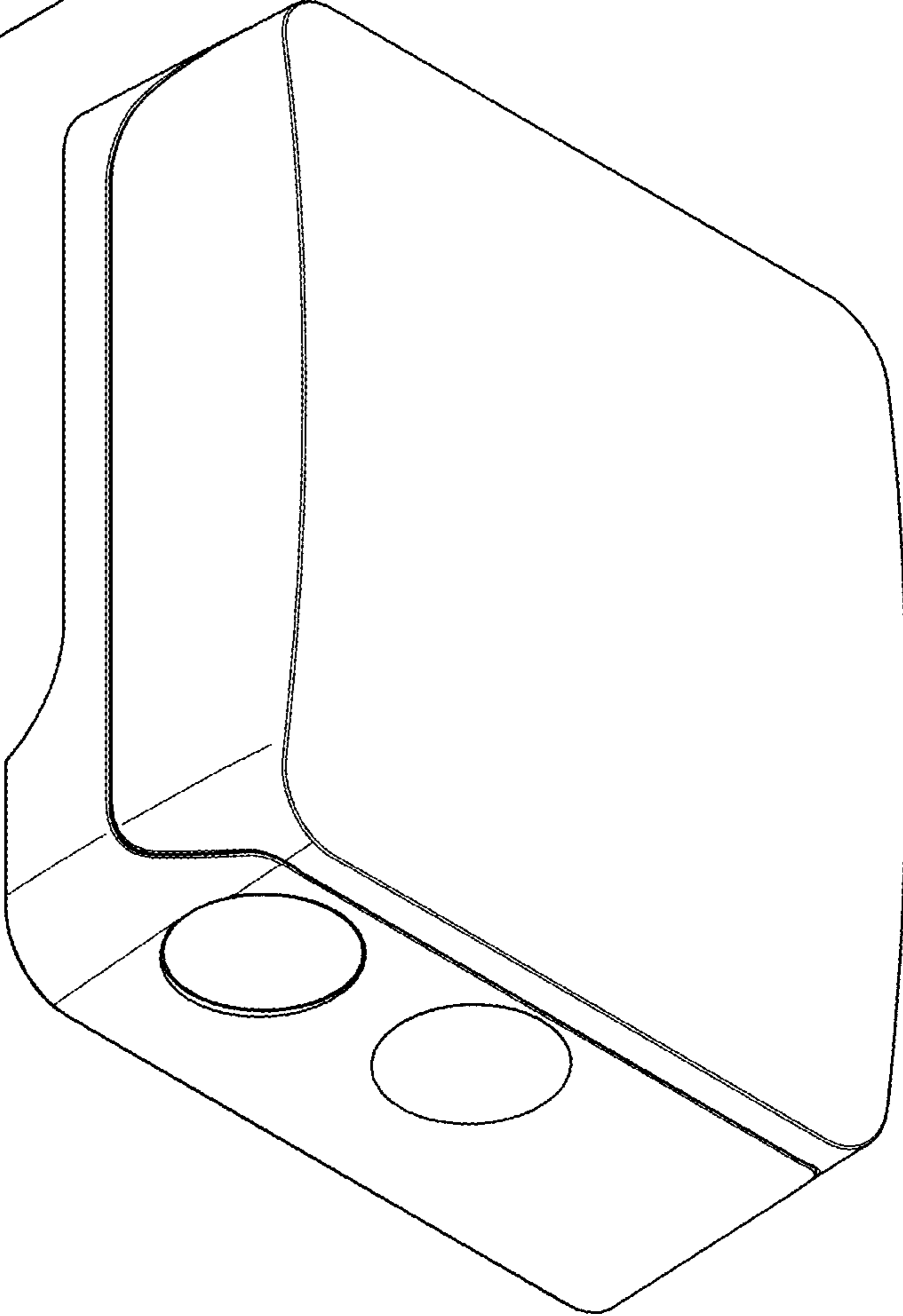
*FIG. 1*



*FIG. 2*



*FIG. 3*



*FIG. 4*

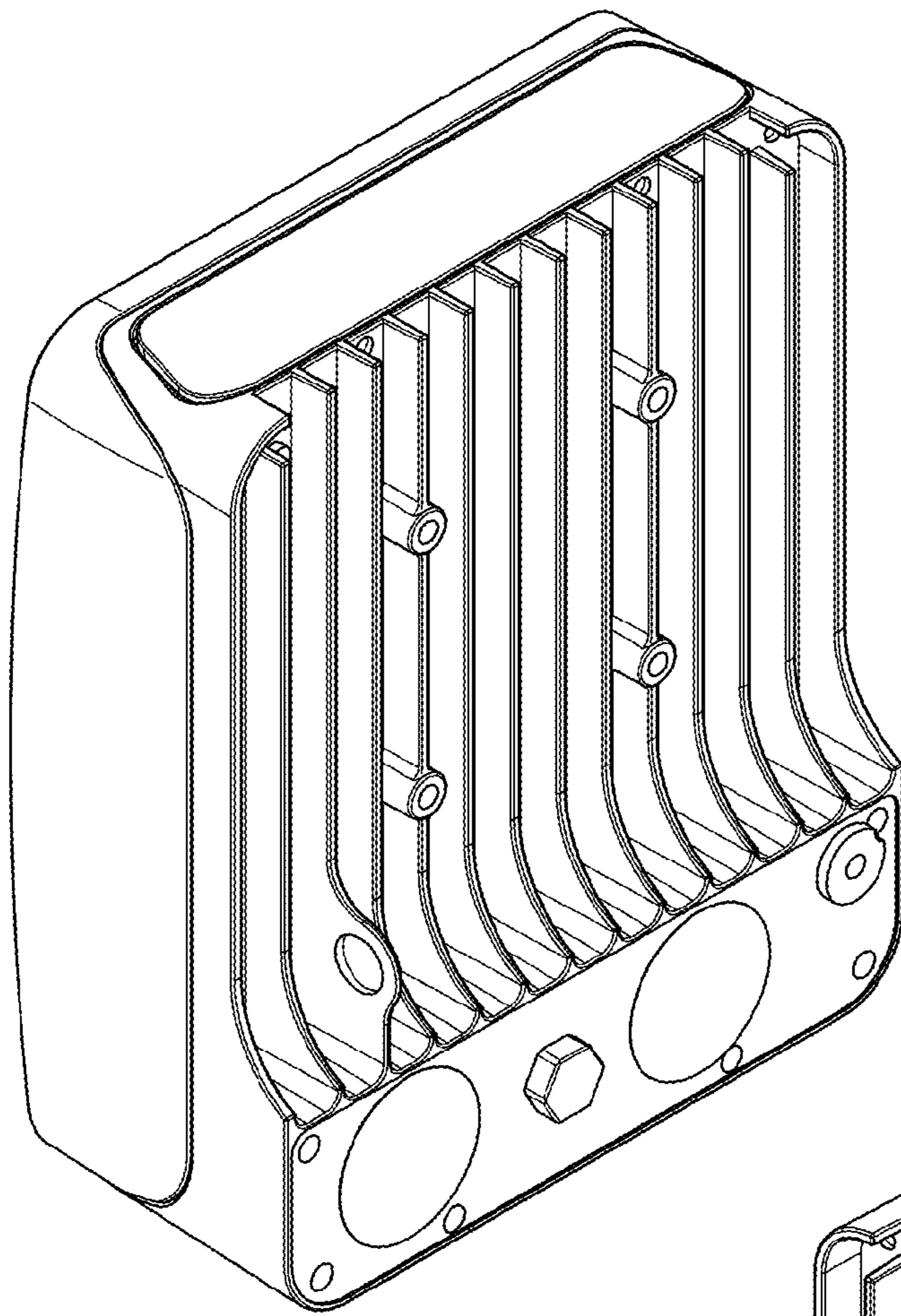


FIG. 5

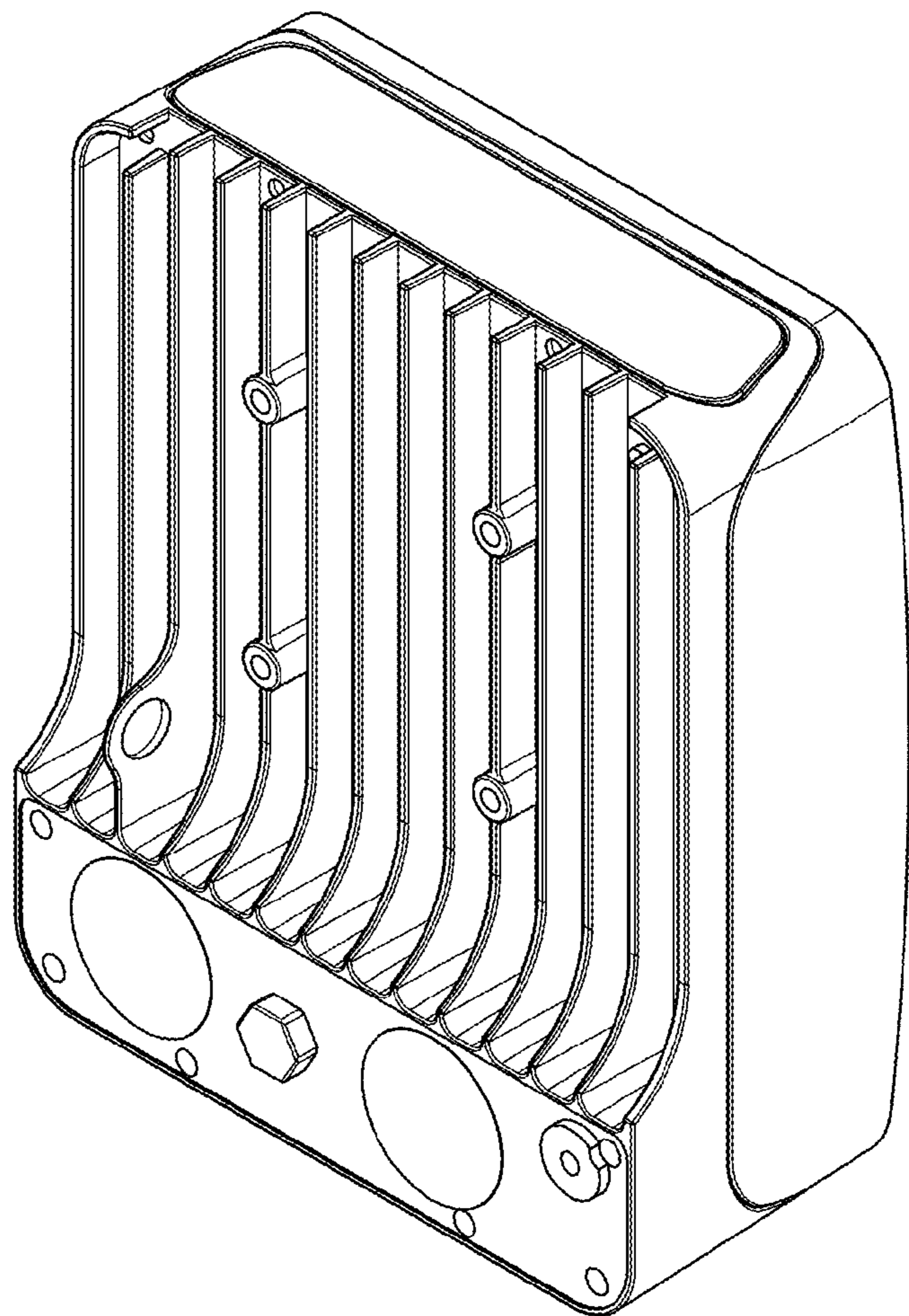


FIG. 6

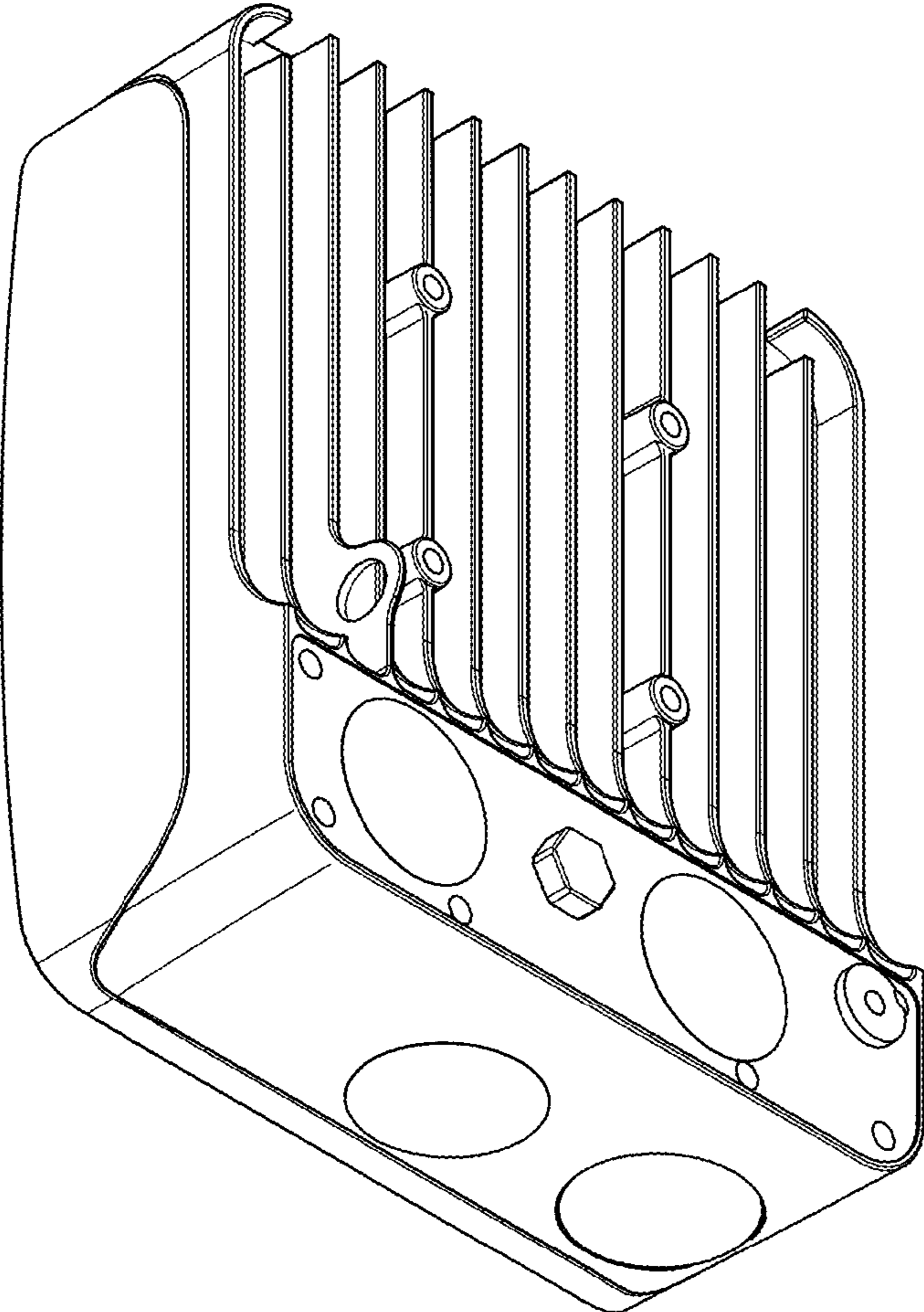


FIG. 7

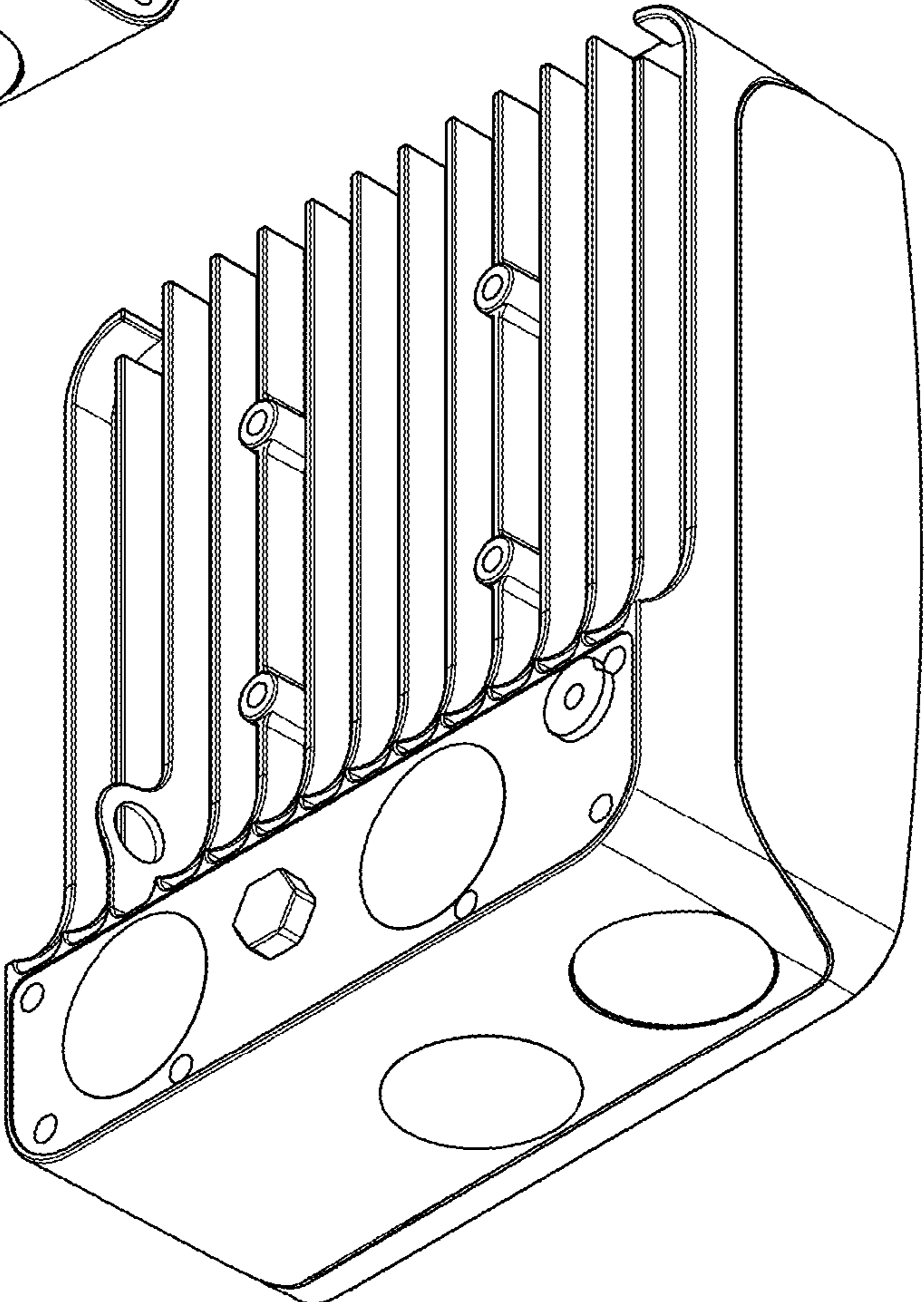


FIG. 8

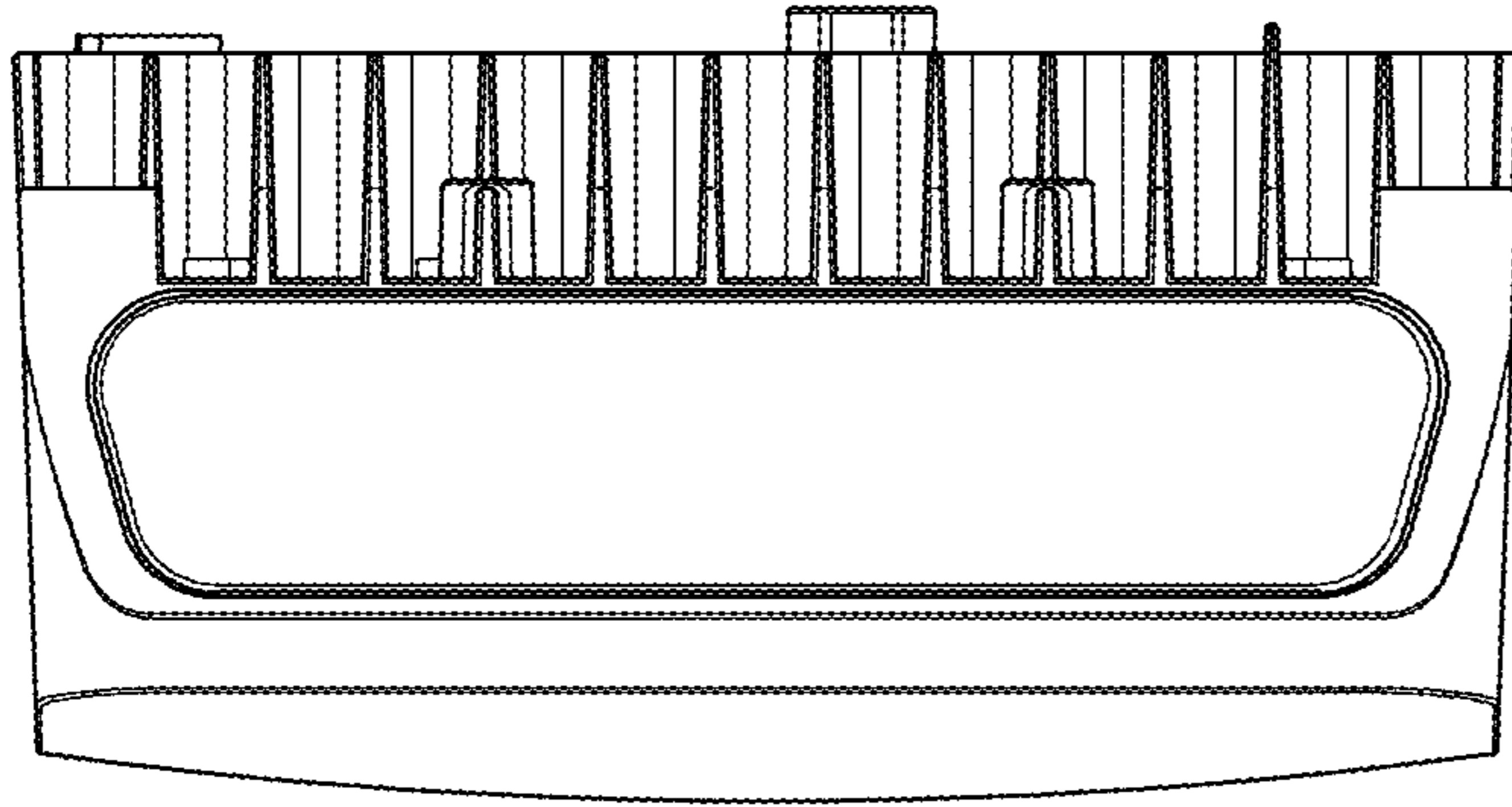


FIG. 10

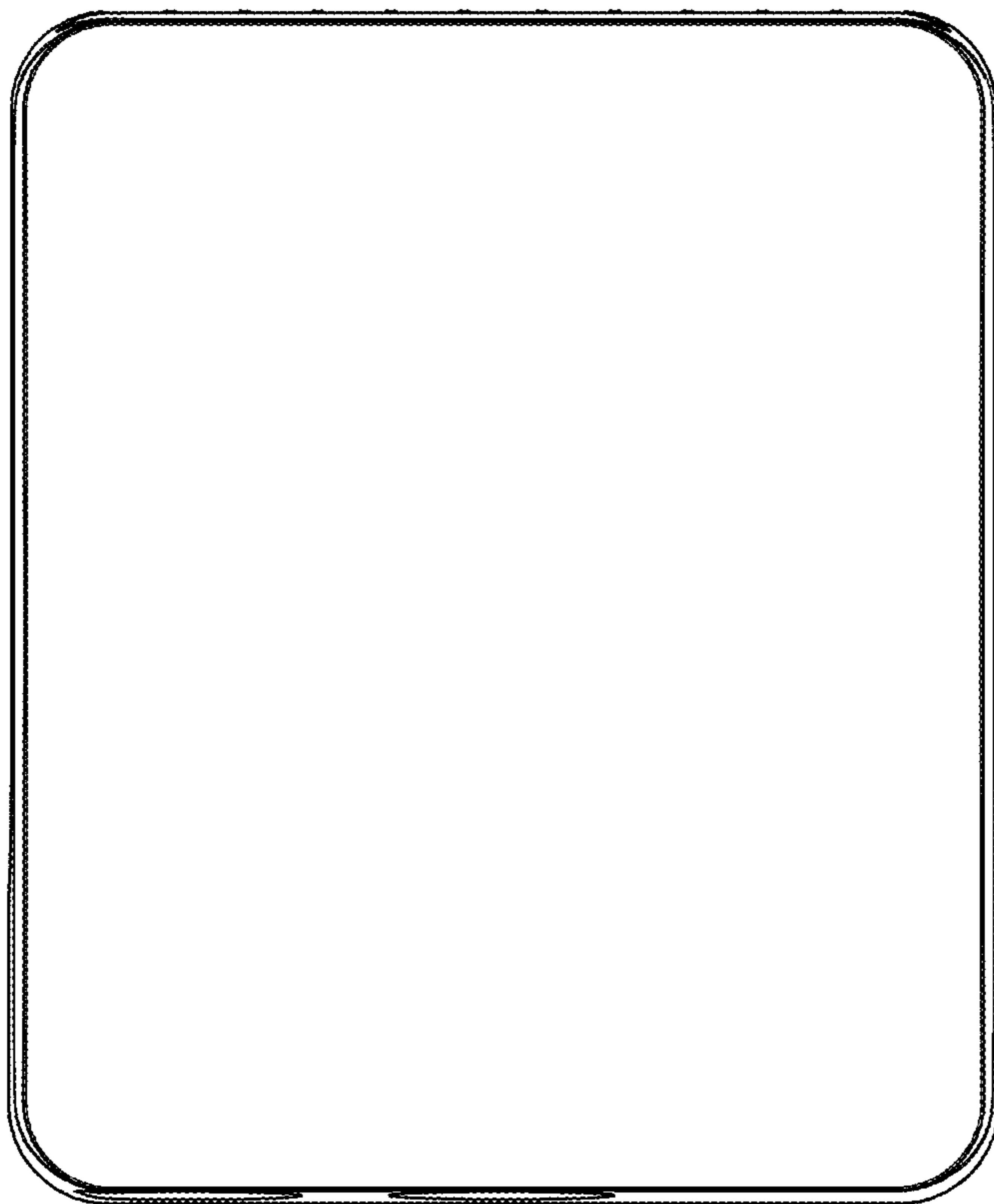


FIG. 9

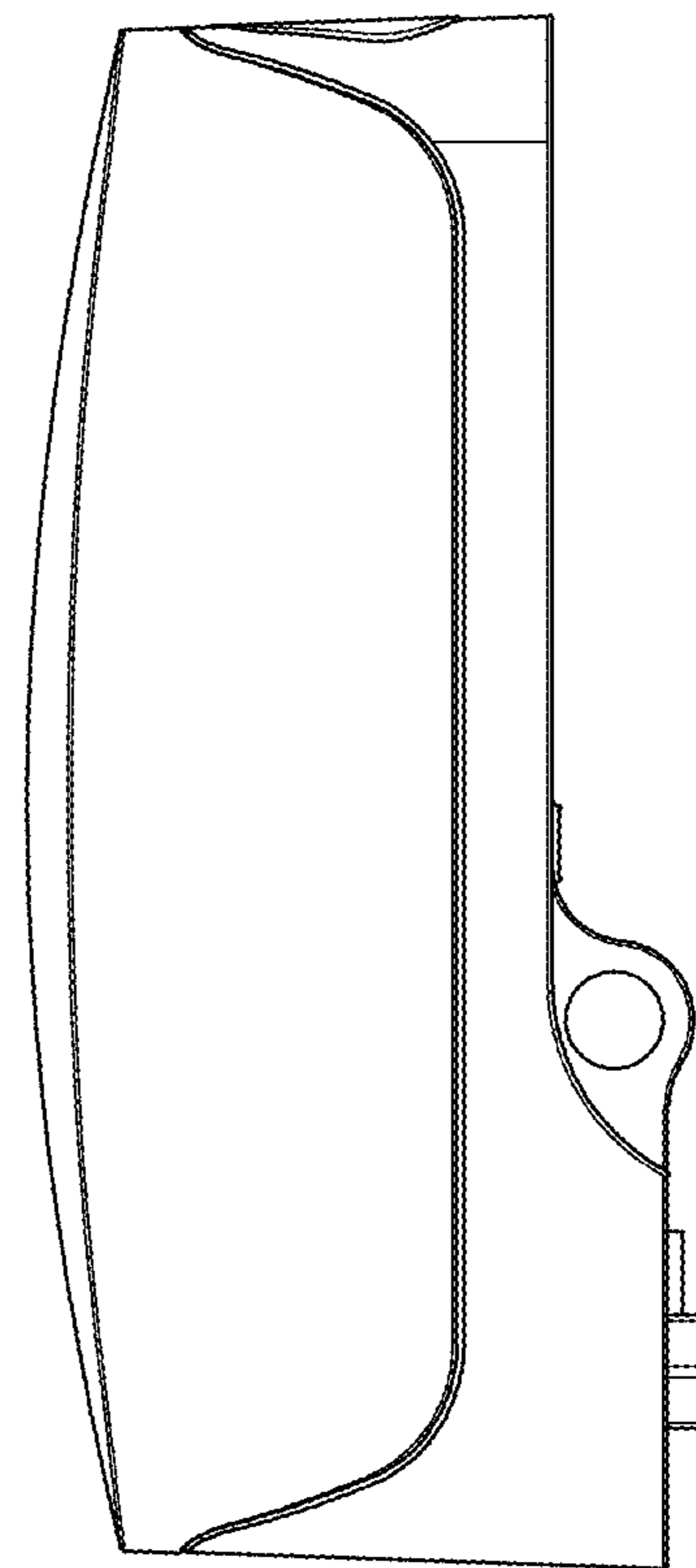


FIG. 11

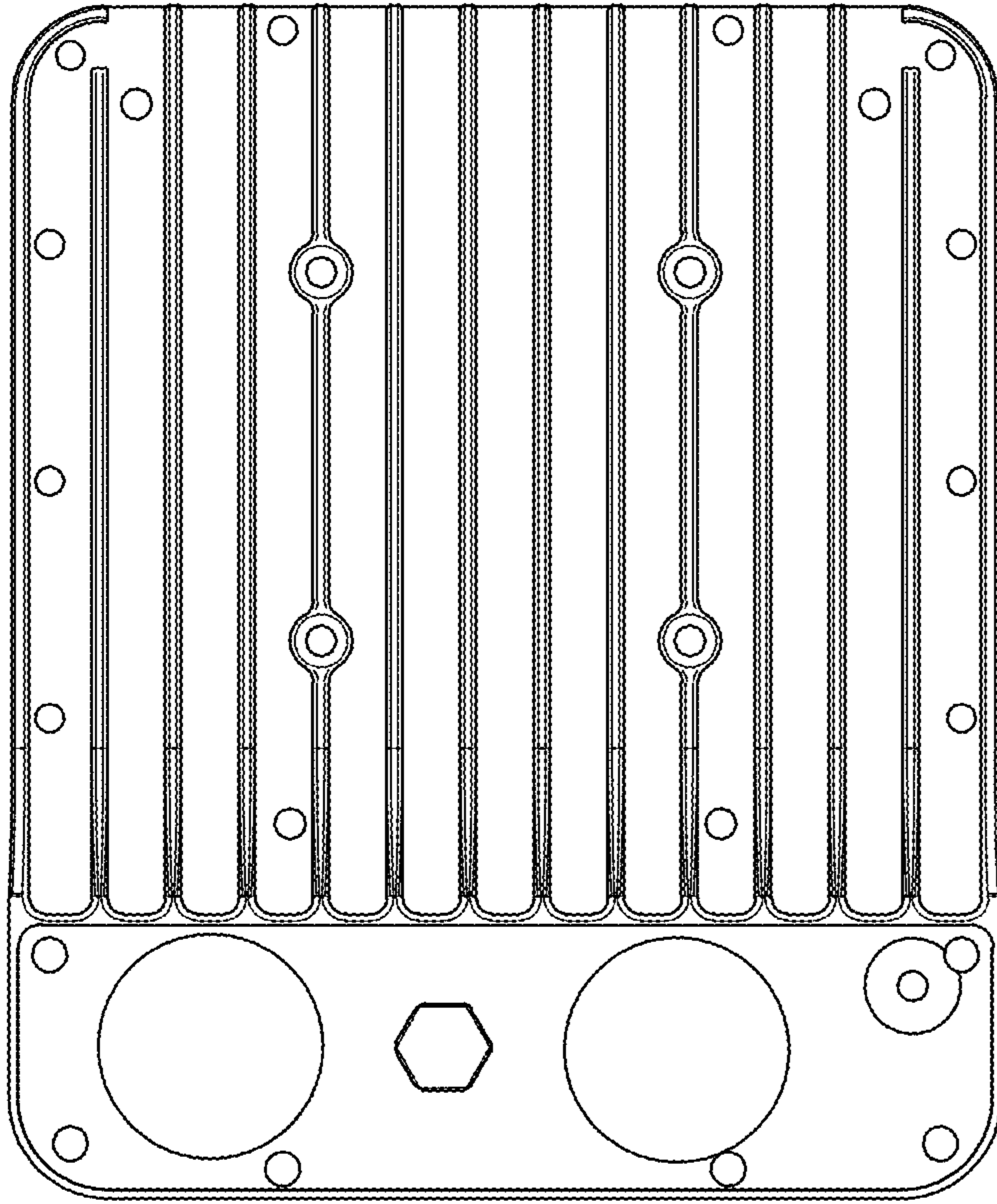


FIG. 12

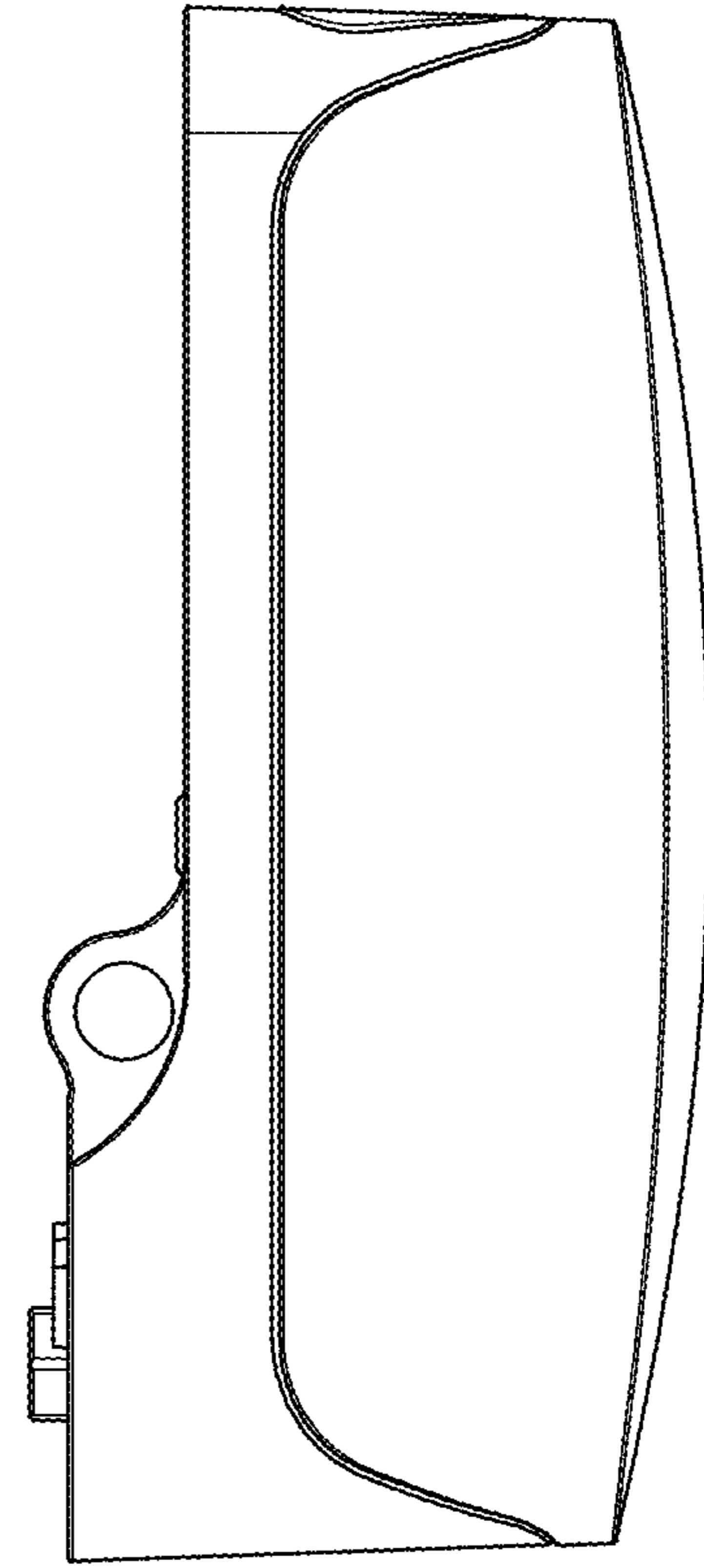


FIG. 14

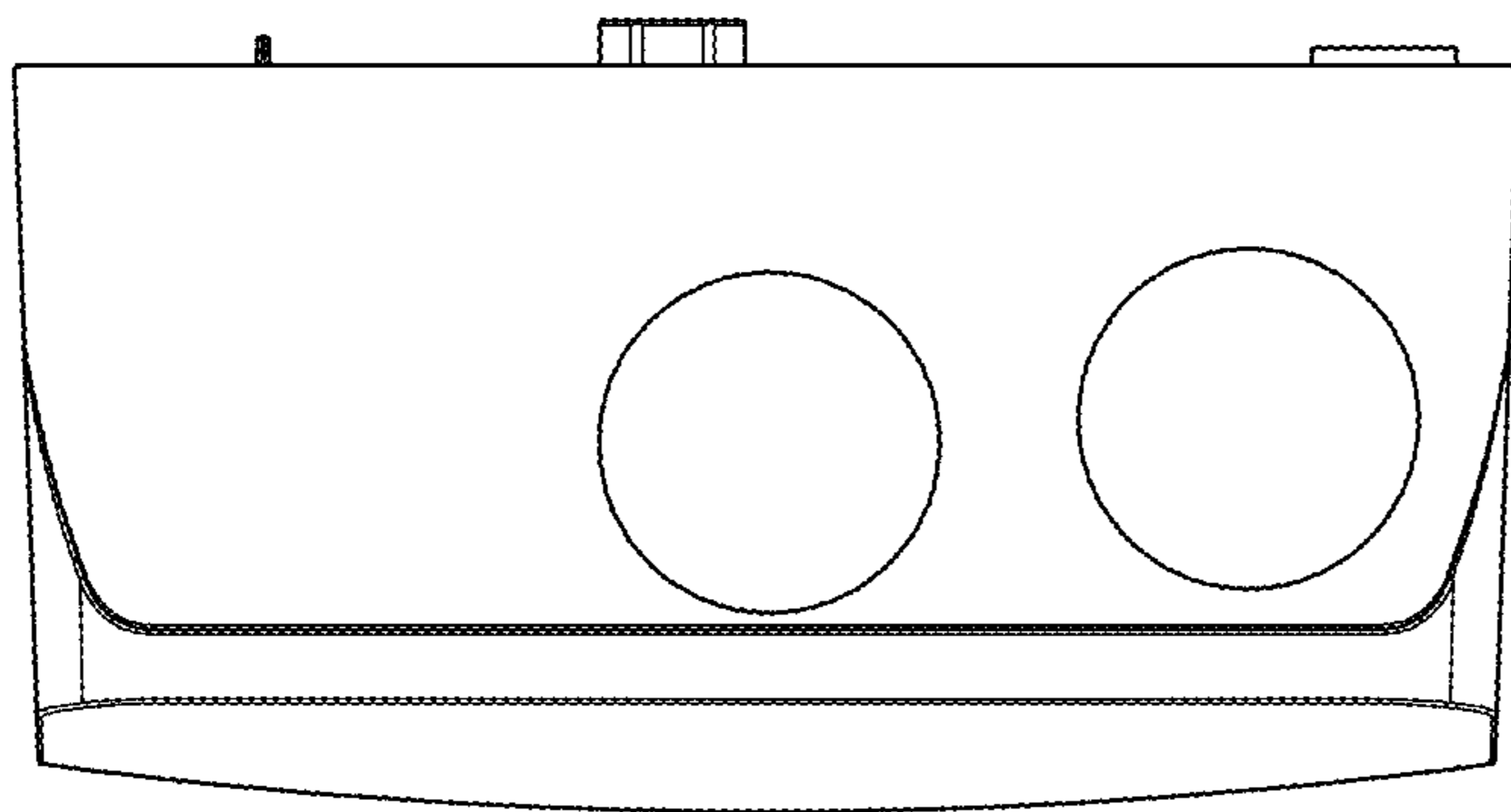
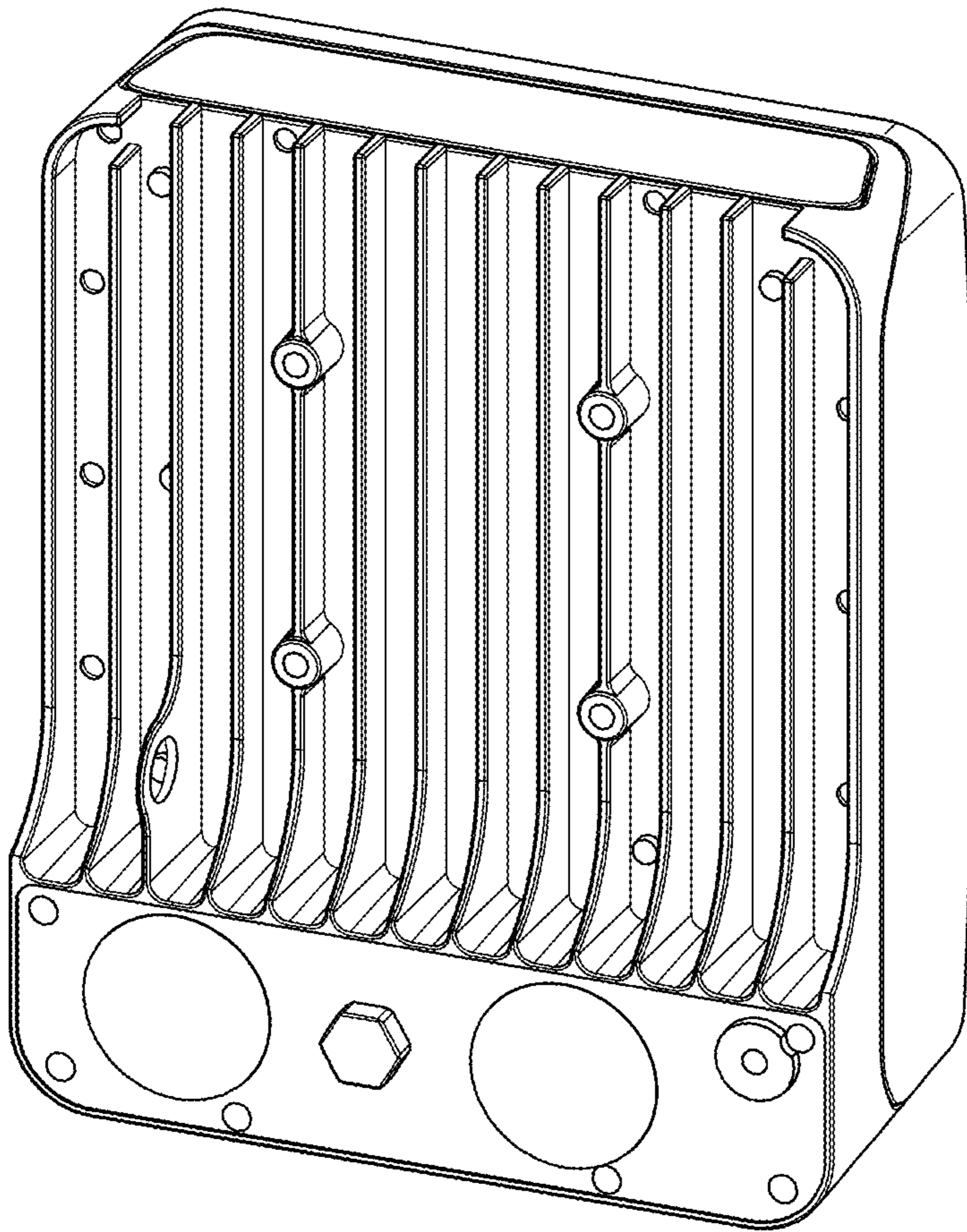
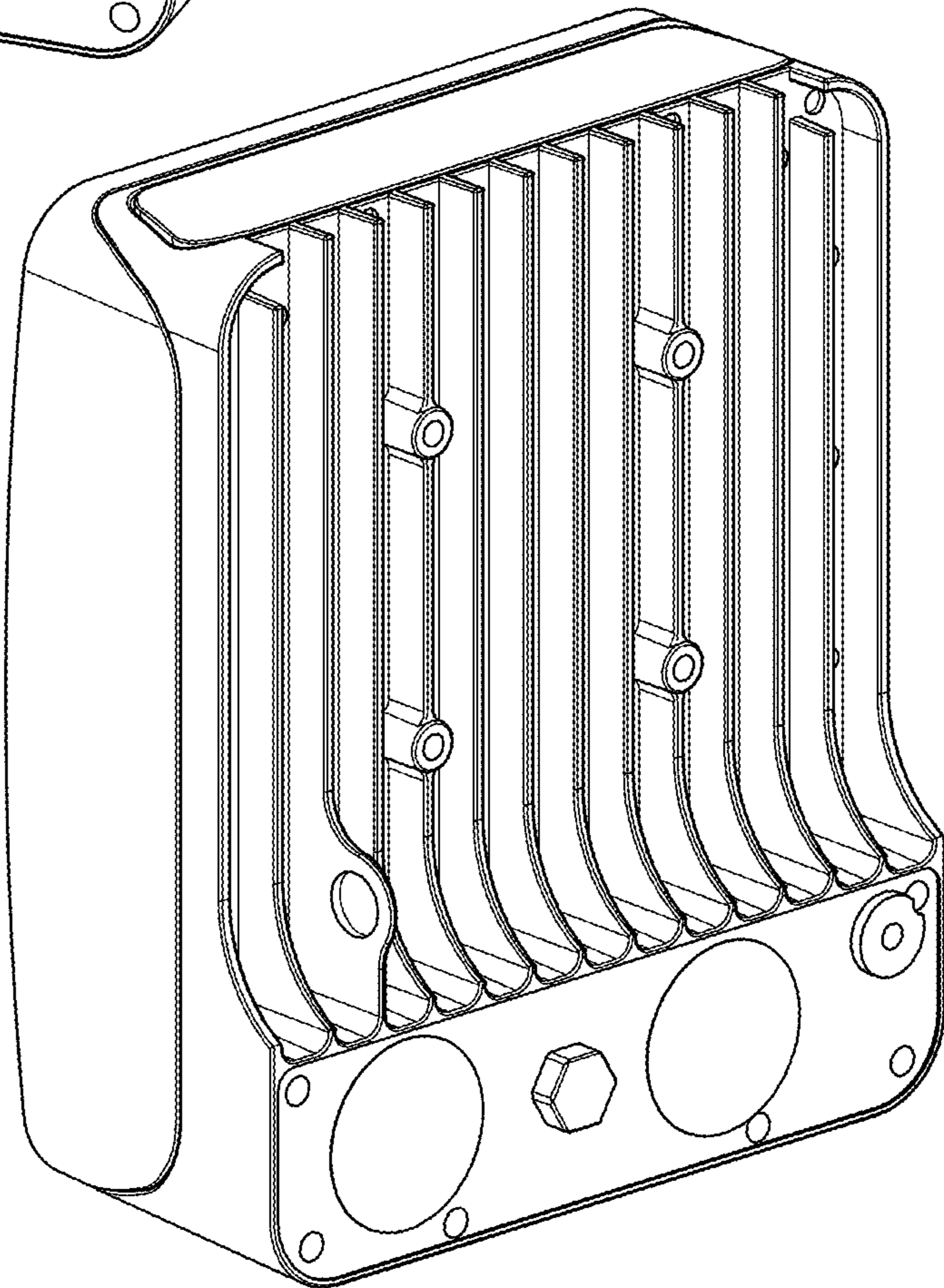


FIG. 13

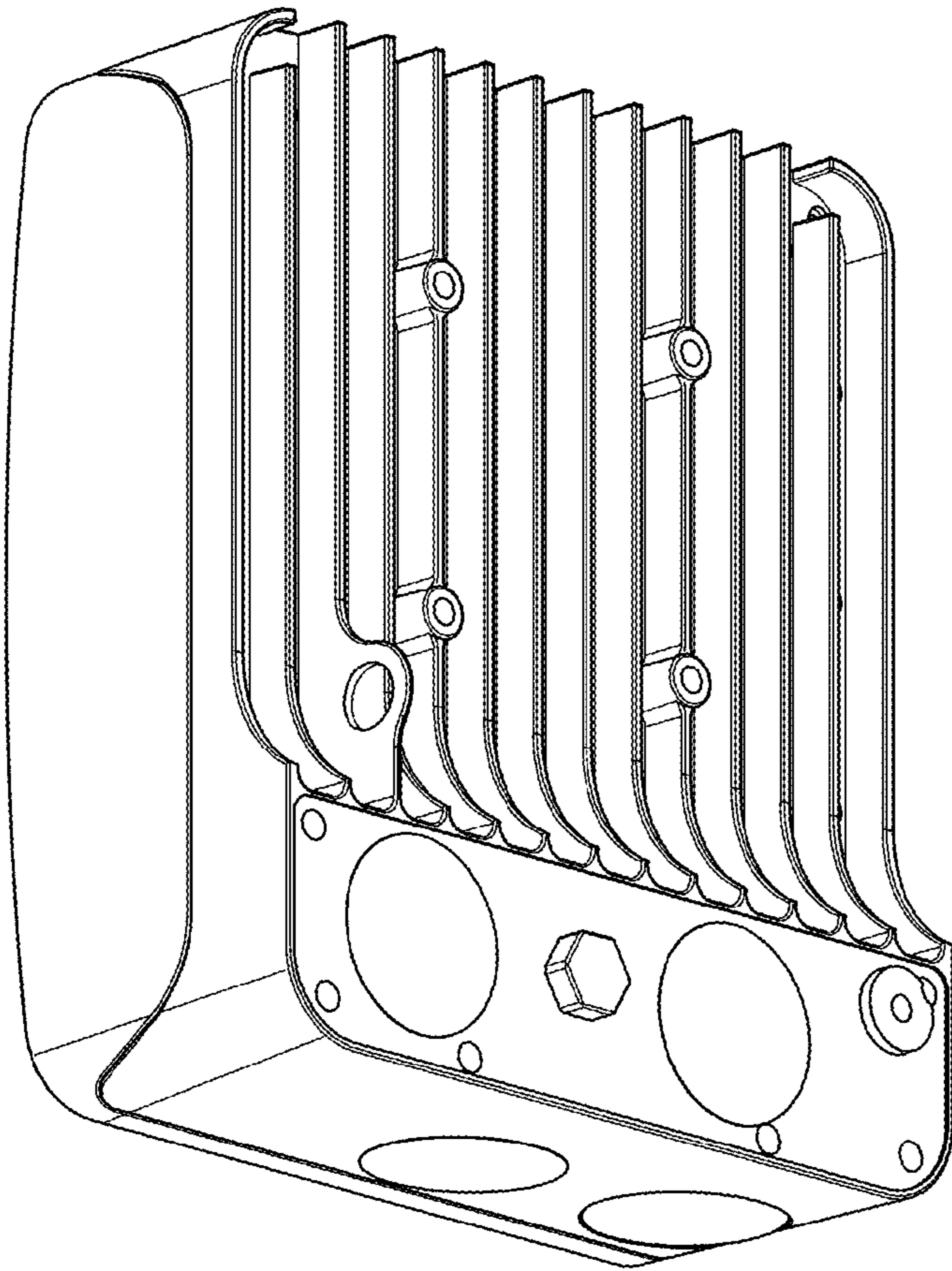




*FIG. 15*



*FIG. 16*



*FIG. 17*

*FIG. 18*

