



US00D906988S

(12) **United States Design Patent**
Zimmer

(10) **Patent No.:** **US D906,988 S**
(45) **Date of Patent:** **** Jan. 5, 2021**

- (54) **ANGLED PRESSURE SWITCH**
- (71) Applicant: **Trent Zimmer**, Houma, LA (US)
- (72) Inventor: **Trent Zimmer**, Houma, LA (US)
- (**) Term: **15 Years**
- (21) Appl. No.: **29/747,763**
- (22) Filed: **Aug. 25, 2020**

D605,606 S 12/2009 Zheng
 D621,791 S 8/2010 Koskela et al.
 D674,858 S 1/2013 Galli
 (Continued)

OTHER PUBLICATIONS

LaRue Tactical, dated 2014, [online], [site visited Jun. 26, 2020]. Available from Internet, URL: <https://www.larue.com/products/surefire-xt07-switch/#reviews-tab> (Year: 2014).
 (Continued)

Related U.S. Application Data

- (62) Division of application No. 29/644,572, filed on Apr. 18, 2018, now Pat. No. Des. 902,161.
- (51) **LOC (13) Cl.** **13-03**
- (52) **U.S. Cl.**
USPC **D13/158**; D13/171; D22/108
- (58) **Field of Classification Search**
USPC D13/101, 123–125, 158–160, 168, 169, D13/171, 173, 174, 184, 199; D22/108–110, 199
CPC F41C 23/12; F41C 27/00; G08C 17/02; H01H 13/70; H01H 47/22; H01R 24/58; H01R 27/02; H01R 33/88; H01R 33/955; H05K 5/00
See application file for complete search history.

Primary Examiner — Shawn T Gingrich
 (74) *Attorney, Agent, or Firm* — Asgaard Patent Services, LLC; F. Wayne Thompson, Jr.

(57) **CLAIM**

The ornamental design for an angled pressure switch, as shown and described.

DESCRIPTION

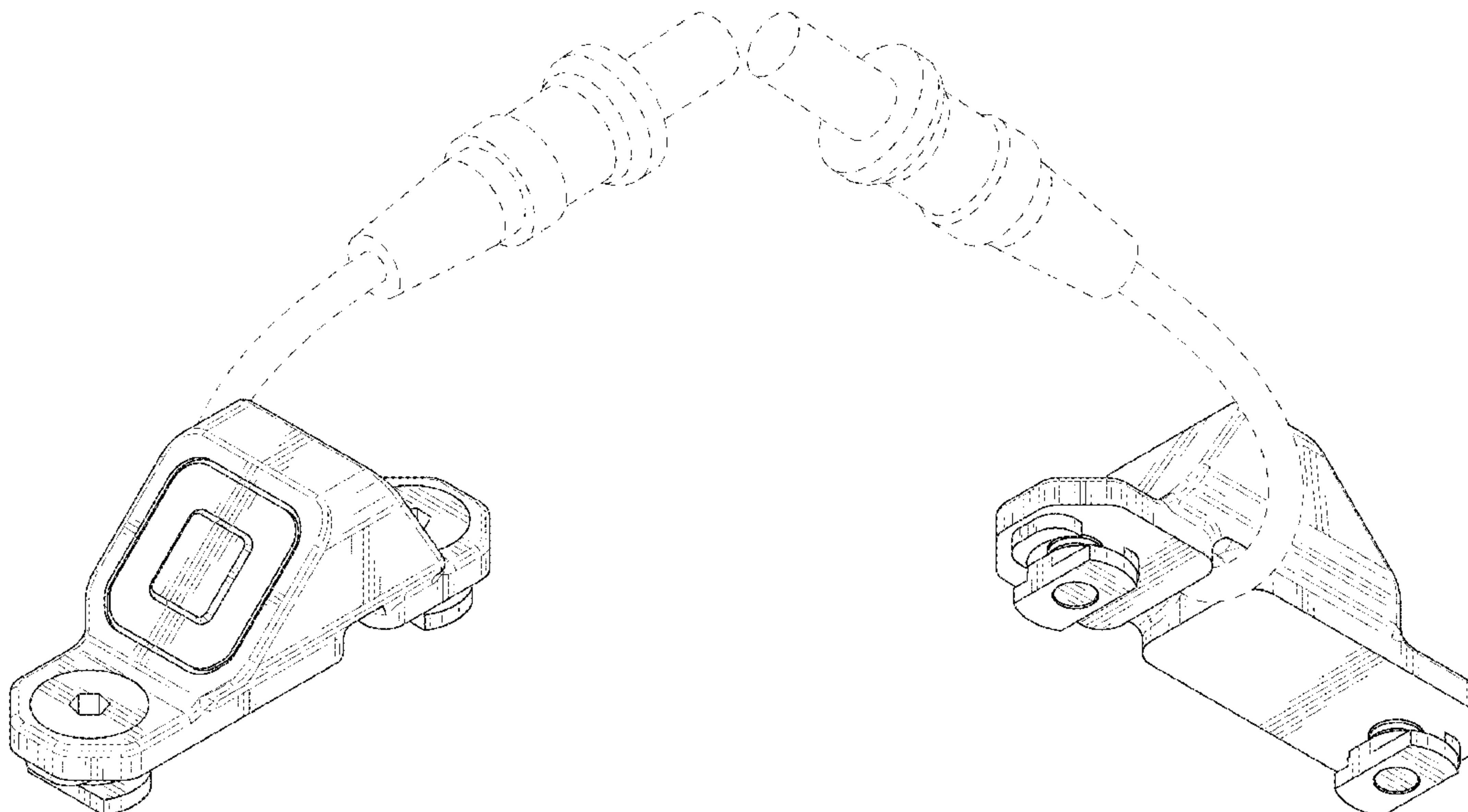
FIG. 1 is a top, front, right side isometric view of an angled pressure switch;
 FIG. 2 is a bottom, back, left side isometric view of the angled pressure switch shown in FIG. 1;
 FIG. 3 is a front view of the angled pressure switch shown in FIG. 1;
 FIG. 4 is a right side view of the angled pressure switch shown in FIG. 1;
 FIG. 5 is a back view of the angled pressure switch shown in FIG. 1;
 FIG. 6 is a left side view of the angled pressure switch shown in FIG. 1;
 FIG. 7 is a top view of the angled pressure switch shown in FIG. 1; and,
 FIG. 8 is a bottom view of the angled pressure switch shown in FIG. 1.
 The broken lines shown in the drawings represent portions of the angled pressure switch that form no part of the claimed design.

(56) **References Cited**

U.S. PATENT DOCUMENTS

- D51,241 S * 9/1917 Rotherberg D13/174
- D202,622 S 10/1965 Scanlon
- D204,060 S * 3/1966 Simmons D13/158
- D281,580 S 12/1985 Stevens
- D316,539 S 4/1991 Judd et al.
- D319,628 S 9/1991 Whitley, II
- D335,281 S 5/1993 Thummel
- D415,117 S 10/1999 Belinky et al.
- D526,968 S 8/2006 Castaldo
- D538,237 S 3/2007 Castaldo

1 Claim, 6 Drawing Sheets



(56)

References Cited

U.S. PATENT DOCUMENTS

D747,432 S 1/2016 Cheng et al.
D757,125 S 5/2016 Furuki
9,577,694 B1 2/2017 Albee
D796,050 S 8/2017 Nishikawa et al.
D807,981 S 1/2018 Cheng et al.
D808,489 S 1/2018 Cheng et al.
D818,555 S 5/2018 Faxon
D823,266 S * 7/2018 Brown D13/170
D841,758 S 2/2019 Novak
10,781,086 B2 * 9/2020 August G08C 17/02
2012/0144991 A1 6/2012 Hayden et al.
2016/0211095 A1 7/2016 Zimmer
2020/0143667 A1 5/2020 Zimmer
2020/0224998 A1 * 7/2020 Kincel F41C 27/00

OTHER PUBLICATIONS

Defense Review, dated Jun. 11, 2019, [online], [site visited Jun. 26, 2020]. Available from Internet, URL: <https://www.defensereview.com/unity-tactical-hot-button-mlok-remote-pressure-switch-for-your-tactical-ar-15-rifle-carbine-sbr-white-light-and-laser-aimer-illuminator-video/> (Year: 2019).

Fenix AER-02 V2.0 tactical remote switch, dated Aug. 2, 2016, [online], [site visited Jun. 26, 2020]. Available from Internet, URL: <https://www.knivesandtools.com/en/pt/fenix-aer-02-remote-tailcap.htm> (Year: 2016).

Unity Tactical Hot Botton, dated May 11, 2019 [online], [site visited Jun. 26, 2020]. Available from Internet, URL: <https://www.unitytactical.com/product-category/hot-button/> (Year: 2019).

* cited by examiner

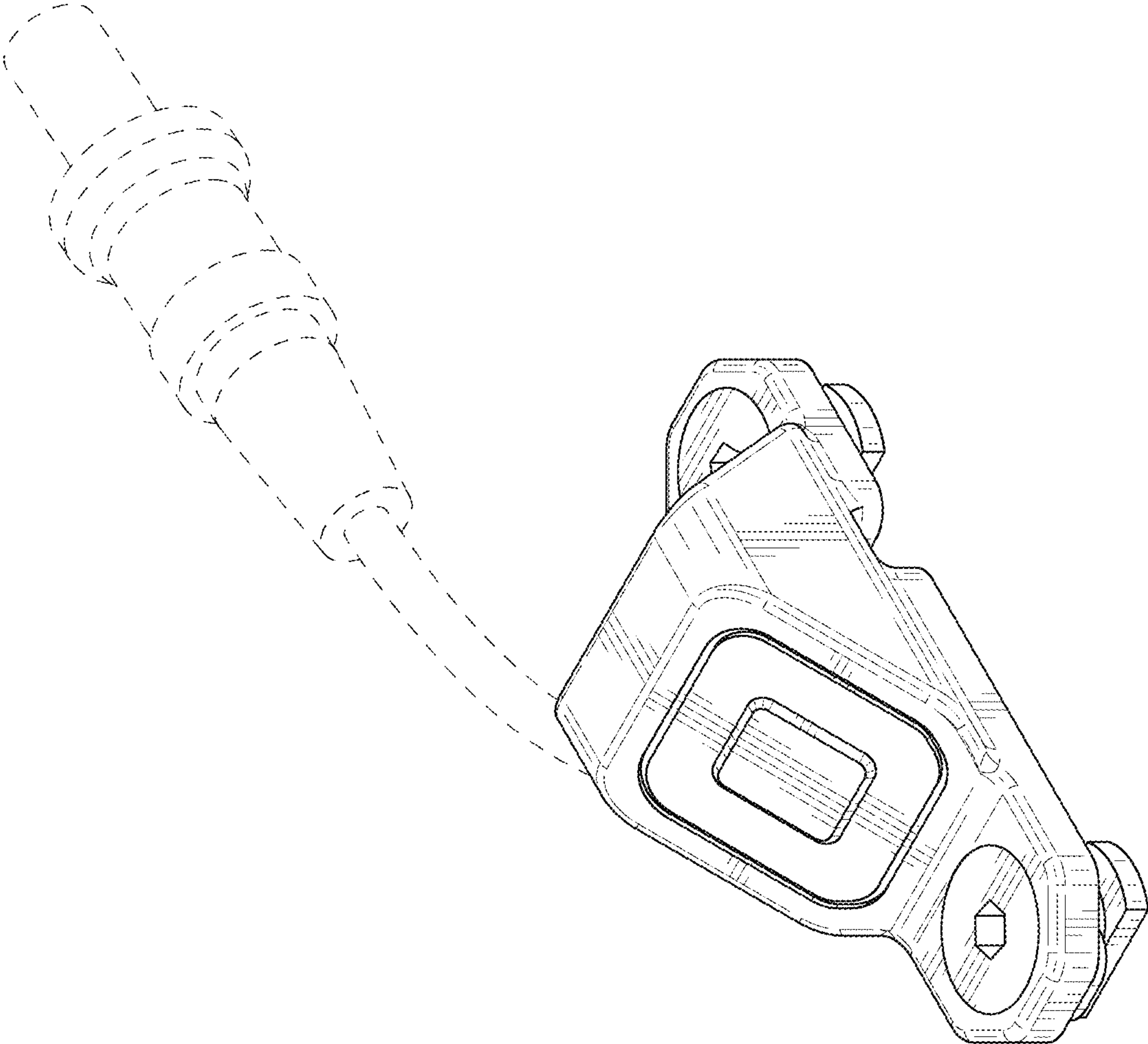


FIG. 1

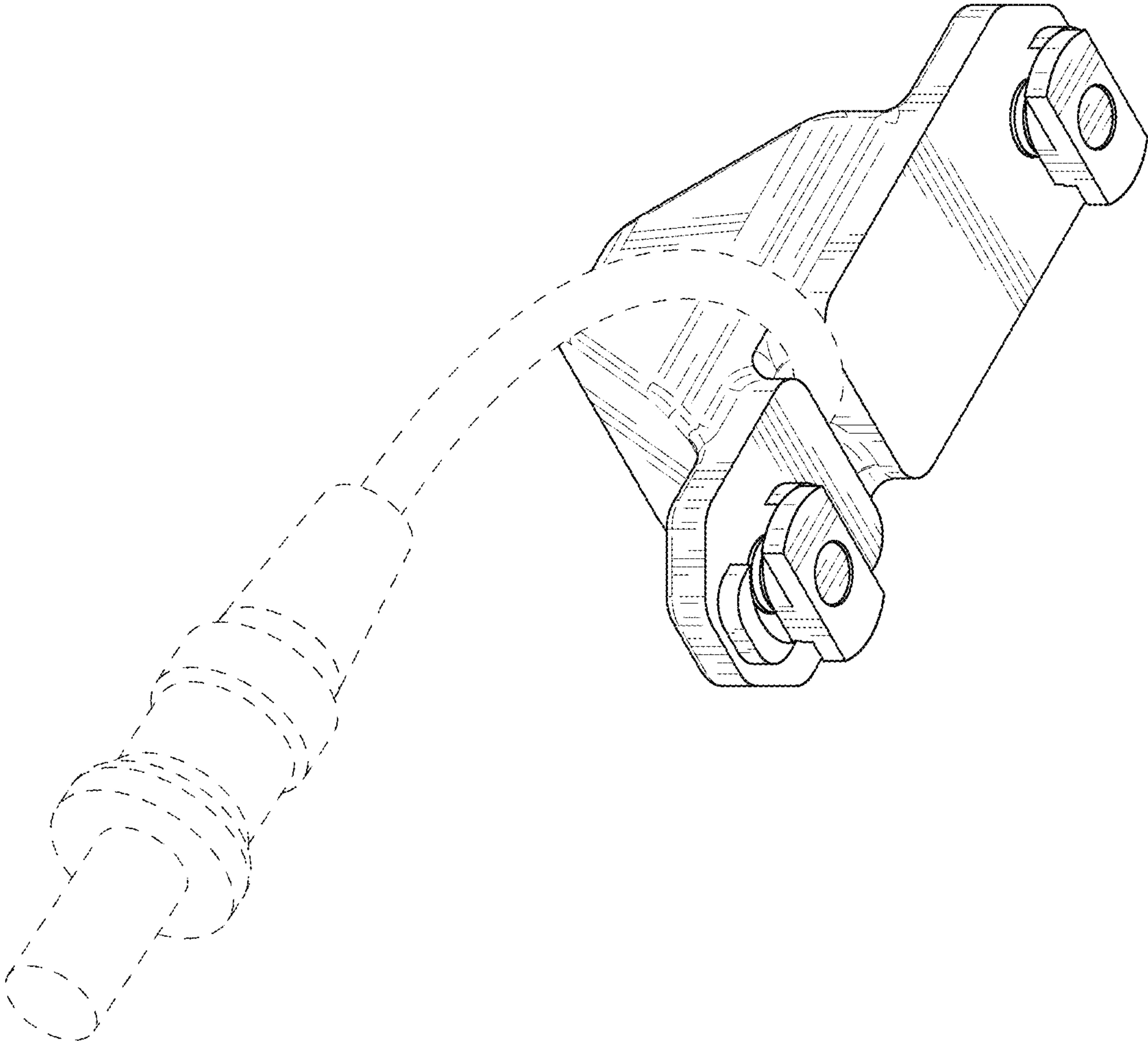


FIG. 2

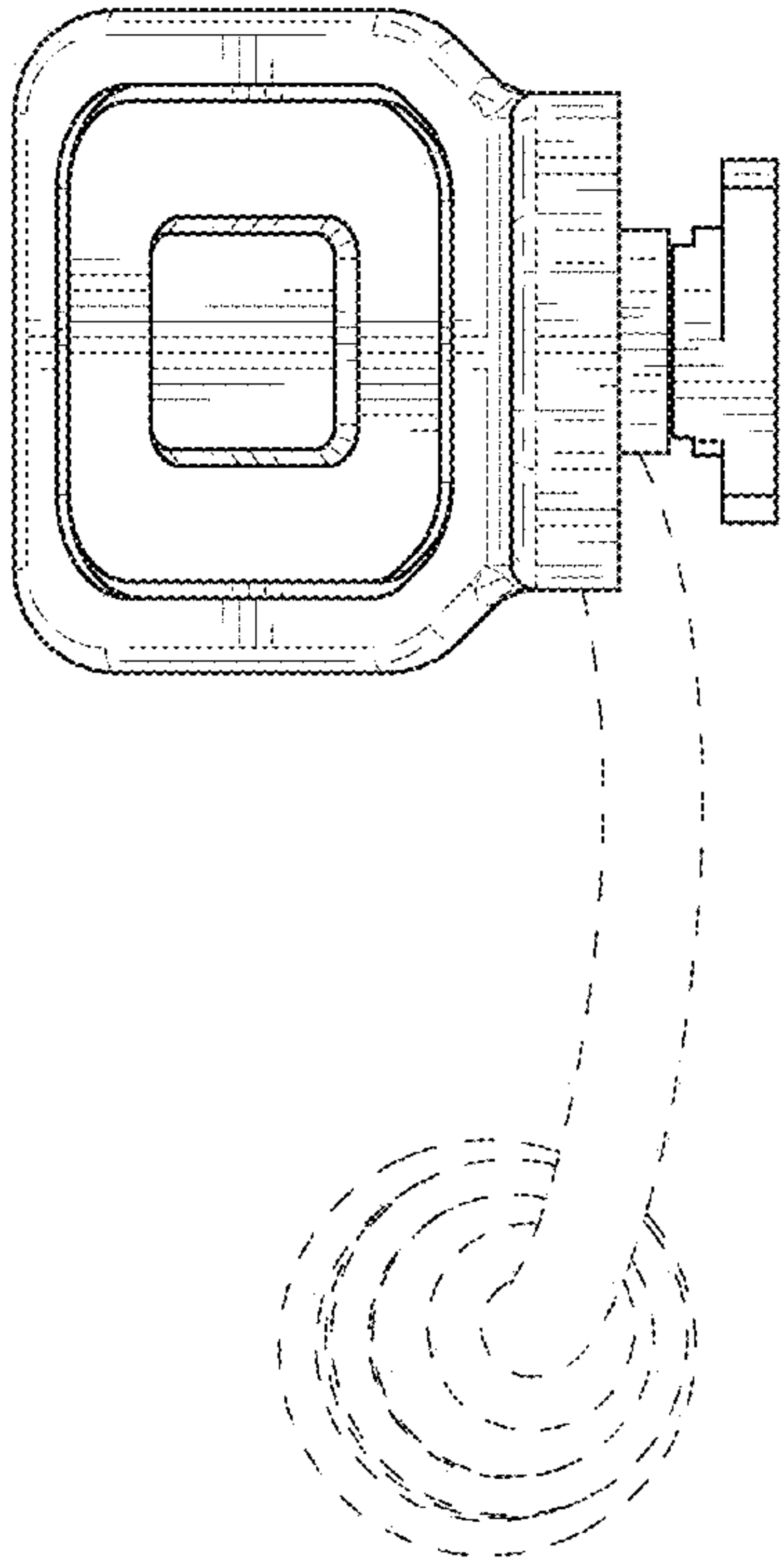


FIG. 3

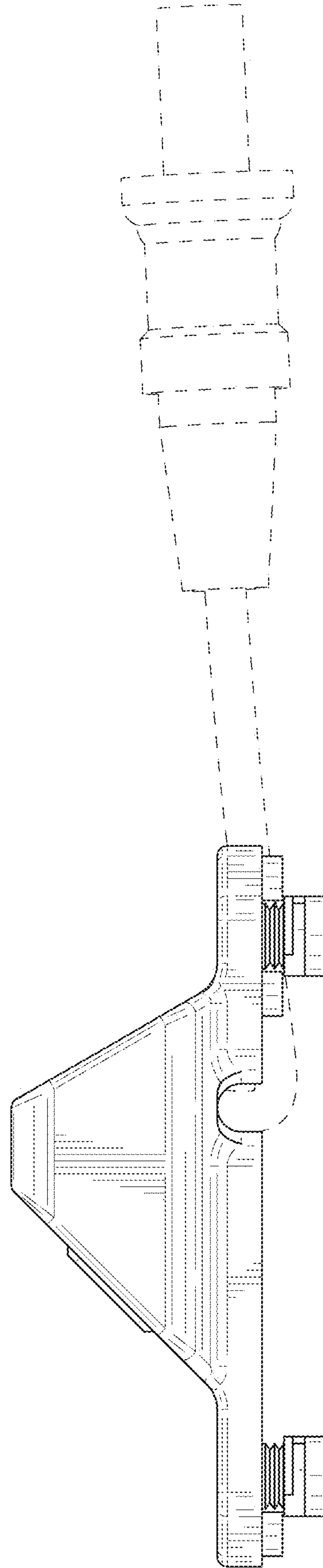


FIG. 4

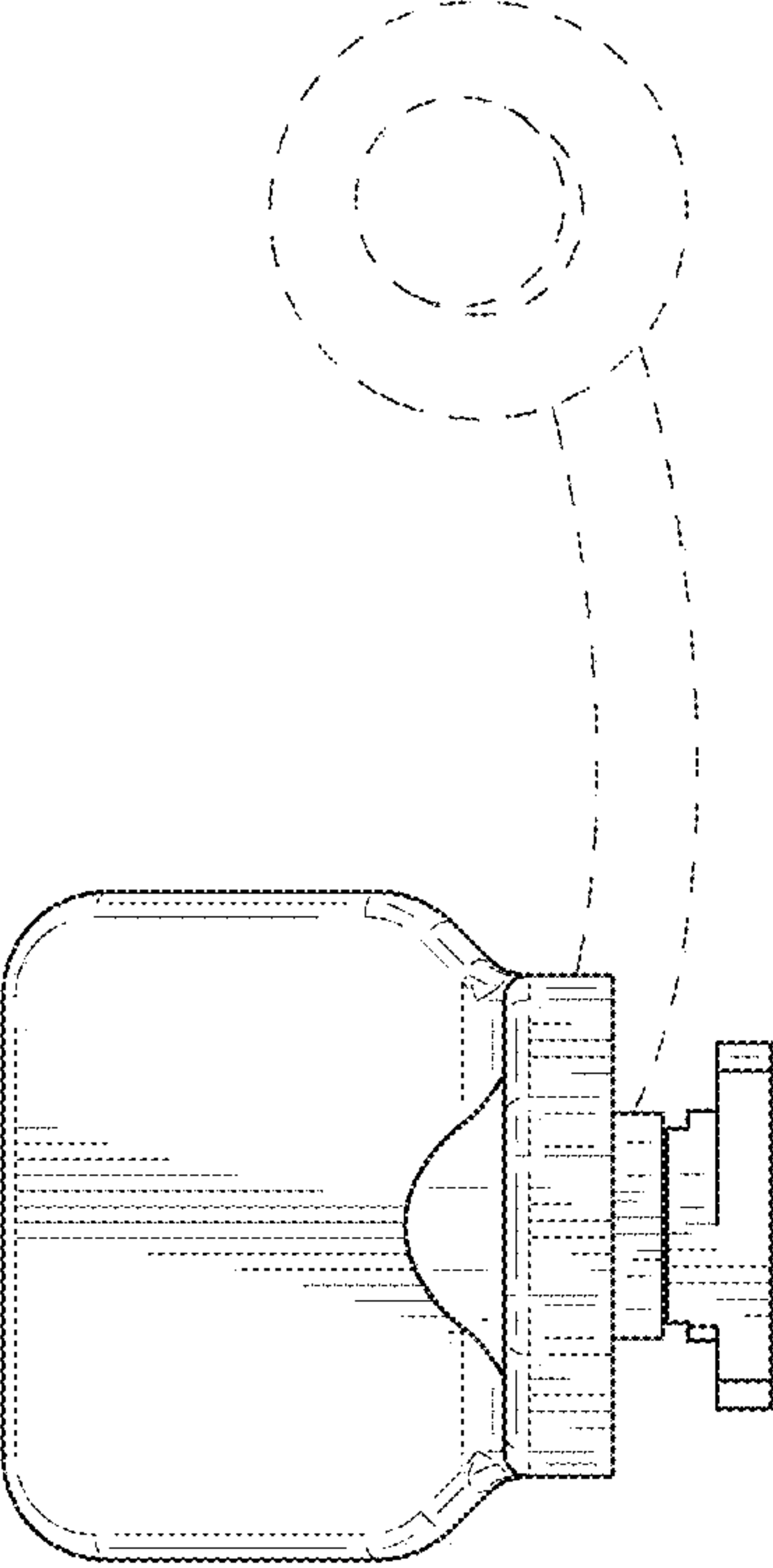


FIG. 5

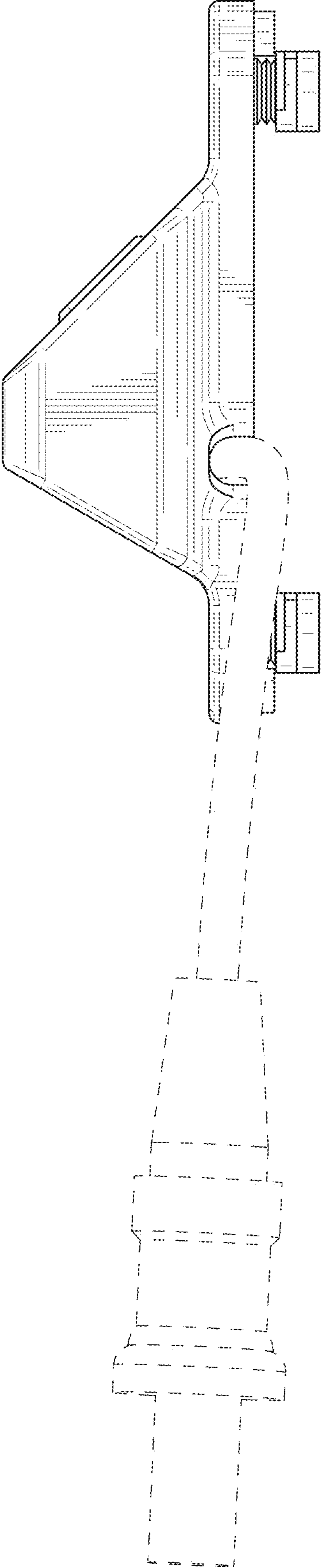


FIG. 6

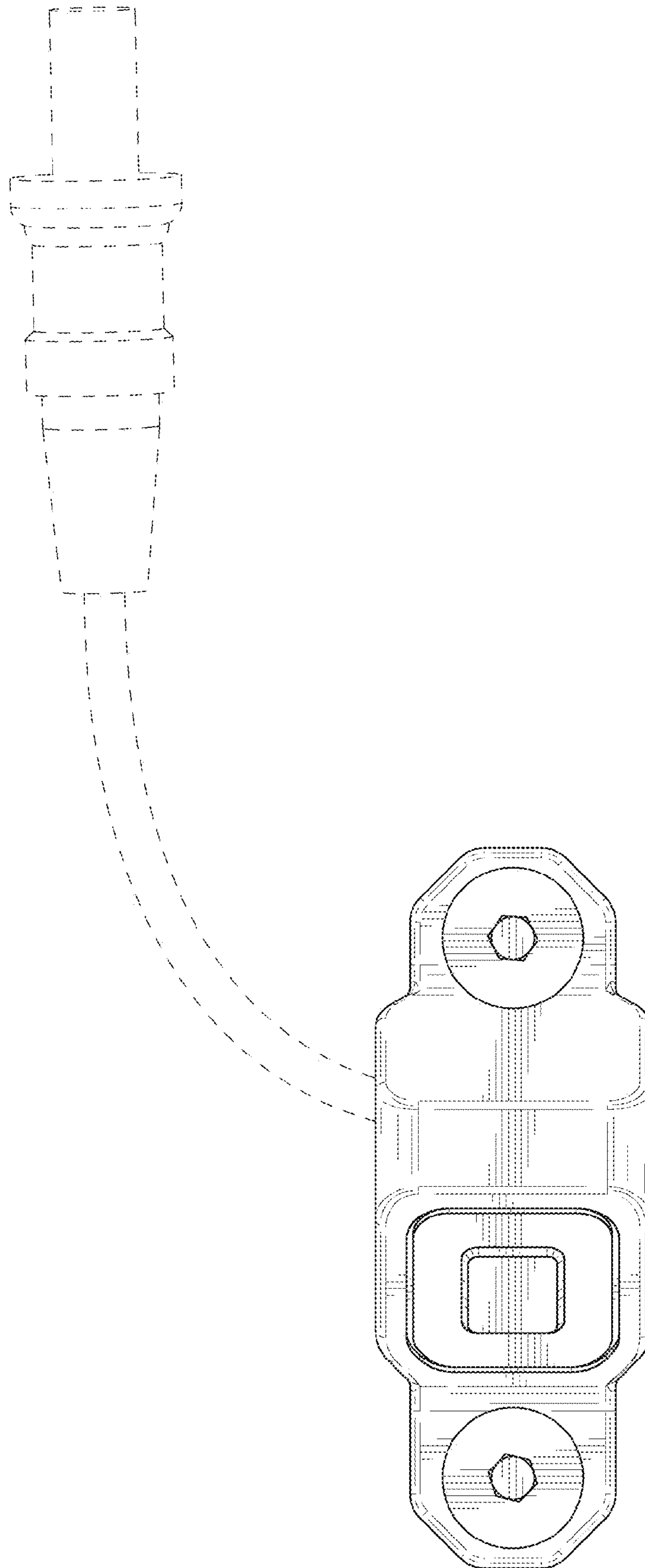


FIG. 7

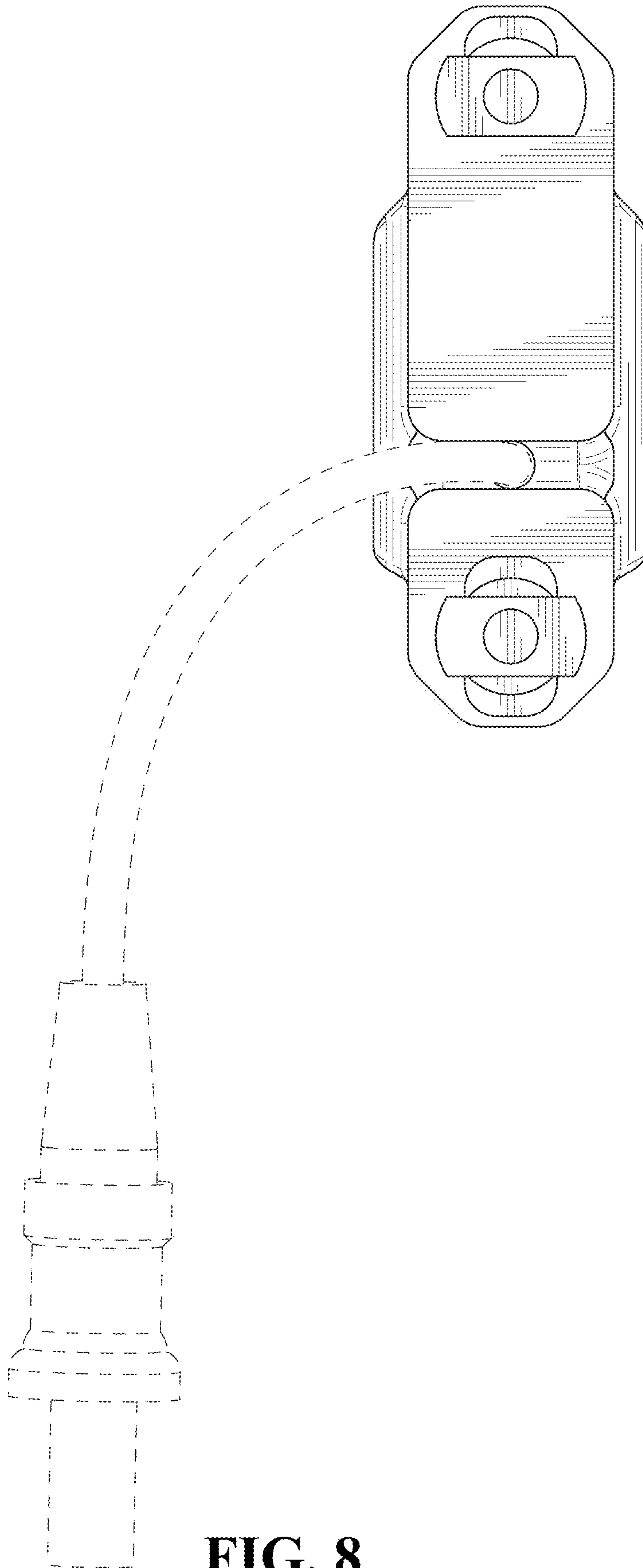


FIG. 8