



US00D906987S

(12) **United States Design Patent** (10) **Patent No.:** **US D906,987 S**
Cox (45) **Date of Patent:** **** Jan. 5, 2021**

(54) **SWITCH**
(71) Applicant: **ABB Schweiz AG**, Baden (CH)
(72) Inventor: **Ed Cox**, San Jose, CA (US)
(73) Assignee: **ABB SCHWEIZ AG**, Baden (CH)
(**) Term: **15 Years**
(21) Appl. No.: **29/640,354**
(22) Filed: **Mar. 14, 2018**
(51) **LOC (13) Cl.** **13-03**
(52) **U.S. Cl.**
USPC **D13/158**; D13/138.2
(58) **Field of Classification Search**
USPC D13/110, 123, 133, 146, 147, 158-160,
D13/173, 178, 184, 199, 107, 118, 137.1,
D13/137.2, 137.4, 138.1, 138.2;
D14/155, 240, 433
CPC H01R 13/00; H01R 13/62; H01R 13/642;
H01R 24/00; H01R 24/84; H05K 5/00;
H05K 5/02; H05K 5/04; H05K 5/023
See application file for complete search history.

(56) **References Cited**

U.S. PATENT DOCUMENTS

D559,783 S * 1/2008 Matzdorff D13/137.2
D627,729 S * 11/2010 Smith D13/108
8,057,265 B2 * 11/2011 Youssefi-Shams H01R 13/44
439/655
D661,651 S * 6/2012 Smith D13/138.1
D664,093 S * 7/2012 Andre D13/138.1
D666,968 S * 9/2012 Huang D13/110
D732,472 S * 6/2015 Laffon D13/110
D734,260 S * 7/2015 Cepress D13/110
D790,460 S * 6/2017 HibmaCronan D13/110
D796,432 S * 9/2017 Liu D13/107
D808,903 S * 1/2018 Koenig D13/110
D820,208 S * 6/2018 Lemelson D13/110
D836,114 S * 12/2018 Nangeroni D14/432

D845,898 S * 4/2019 Laffon de Mazieres D13/110
D856,934 S * 8/2019 Levy D13/137.2
D860,952 S * 9/2019 Akana D13/147
D864,206 S * 10/2019 Wang D14/433
D872,078 S * 1/2020 Wu D14/358
D876,440 S * 2/2020 Nangeroni D14/433
D879,714 S * 3/2020 Zhang D13/110
D880,425 S * 4/2020 Chen D13/137.3
D892,737 S * 8/2020 Yuan D13/110
2010/0117597 A1 * 5/2010 Wang H01R 35/04
320/111

(Continued)

OTHER PUBLICATIONS

Nekmit Dual Port Ultra Thin Flat USB Wall Charger, dated Aug. 3, 2016, [online], [site visited Aug. 27, 2016]. Available from Internet, URL: <https://www.amazon.com/Nekmit-Ultra-Charger-Smart-White/dp/B01JLXTQ1U?th=1> (Year: 2016).*

Primary Examiner — Angela J Lee
Assistant Examiner — Shawn T Gingrich
(74) *Attorney, Agent, or Firm* — Leydig, Voit & Mayer, Ltd.

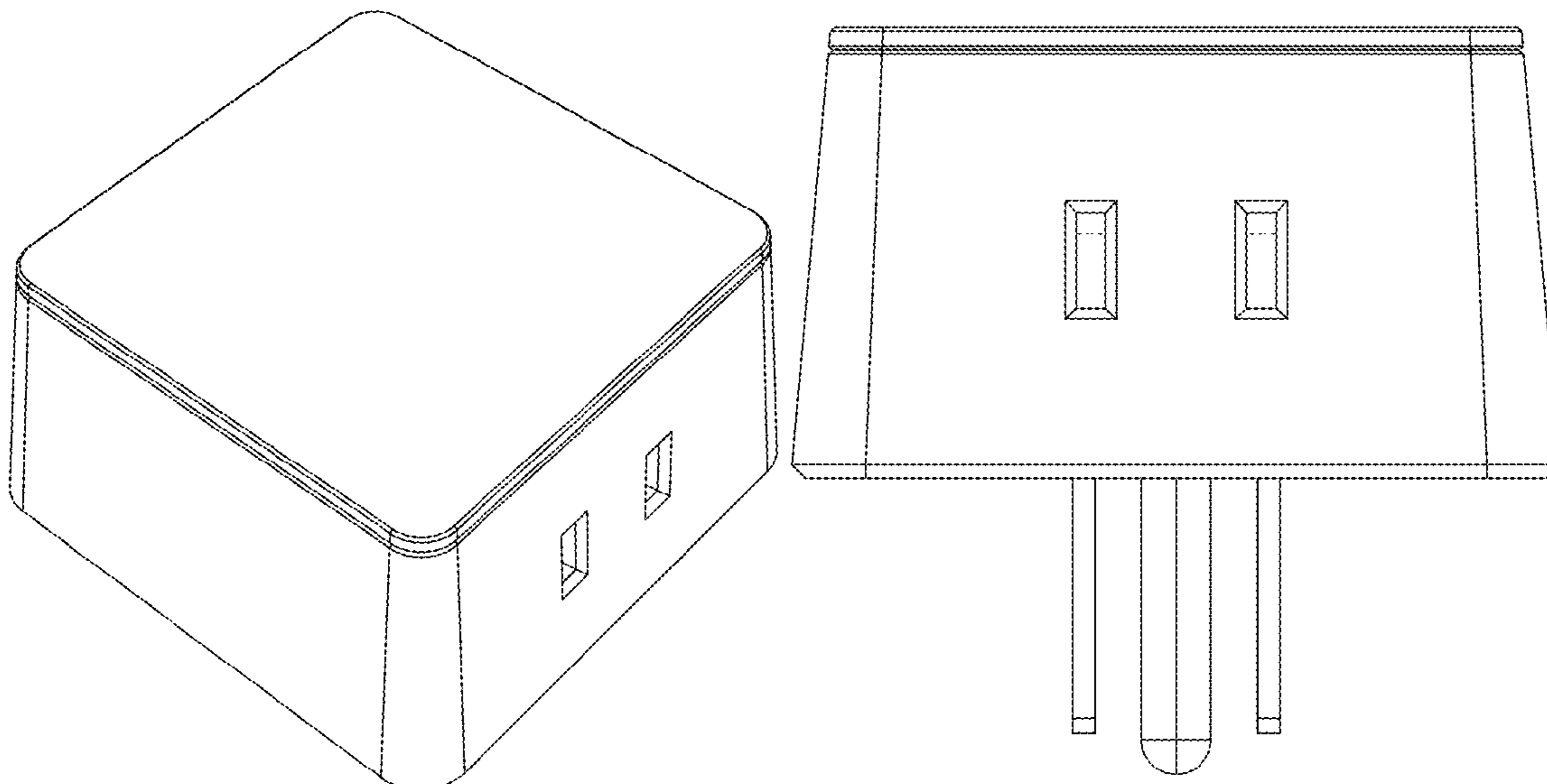
(57) **CLAIM**

The ornamental design for a switch, as shown and described.

DESCRIPTION

FIG. 1 is a top left front perspective view of the switch showing my new design;
FIG. 2 is a front elevational view thereof;
FIG. 3 is a rear elevational view thereof;
FIG. 4 is a left side elevational view thereof;
FIG. 5 is a right side elevational view thereof;
FIG. 6 is a top plan view thereof; and,
FIG. 7 is a bottom plan view thereof.
The broken lines in the drawings illustrate portions of the switch that form no part of the claimed design.

1 Claim, 7 Drawing Sheets



(56)

References Cited

U.S. PATENT DOCUMENTS

2011/0097914 A1* 4/2011 Lee H01R 29/00
439/174
2011/0210699 A1* 9/2011 Wu H02J 7/0042
320/111
2014/0132085 A1* 5/2014 Lamb H01R 31/065
307/150
2014/0326726 A1* 11/2014 Byrne H02G 3/14
220/241

* cited by examiner

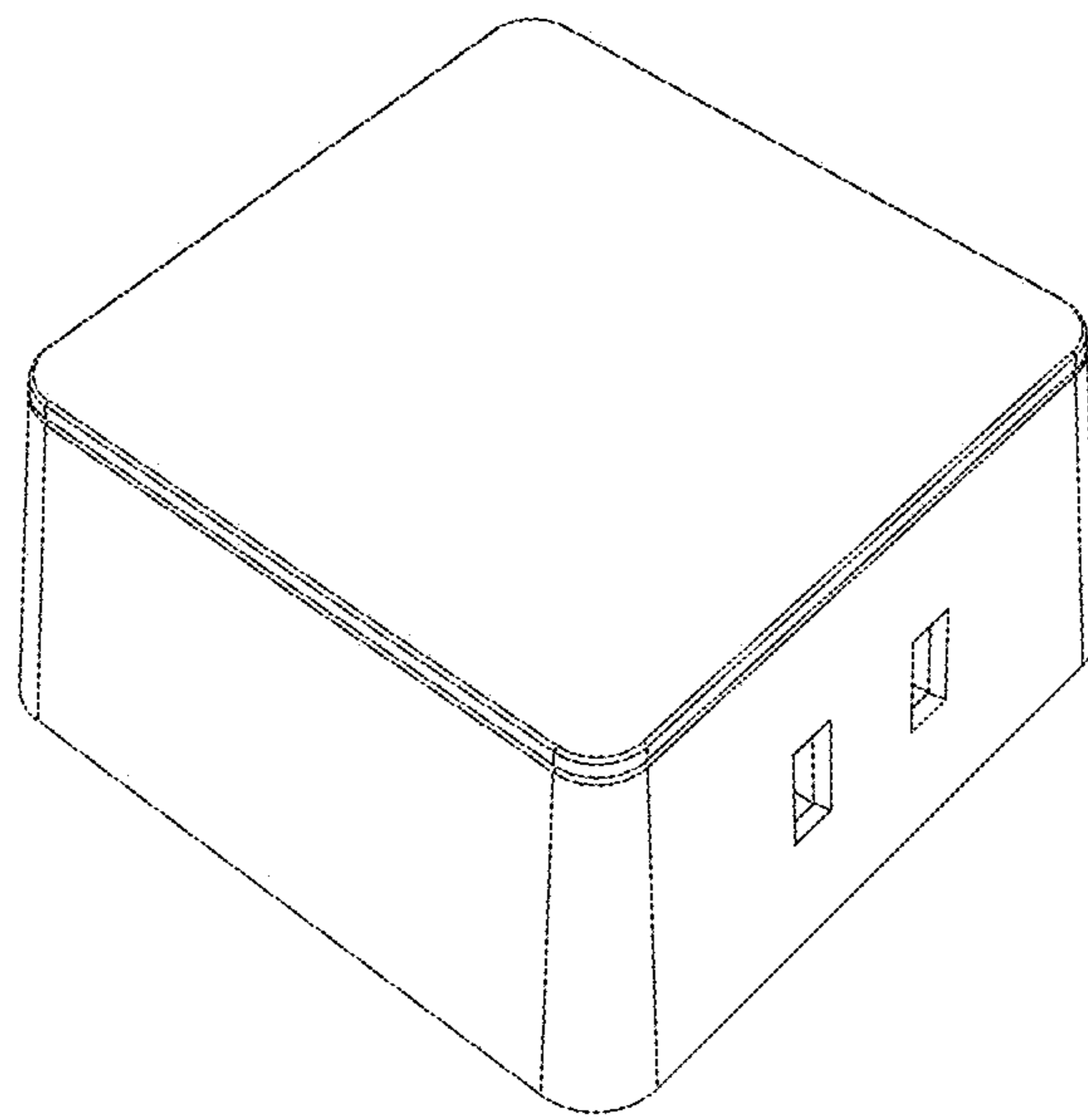


FIG. 1

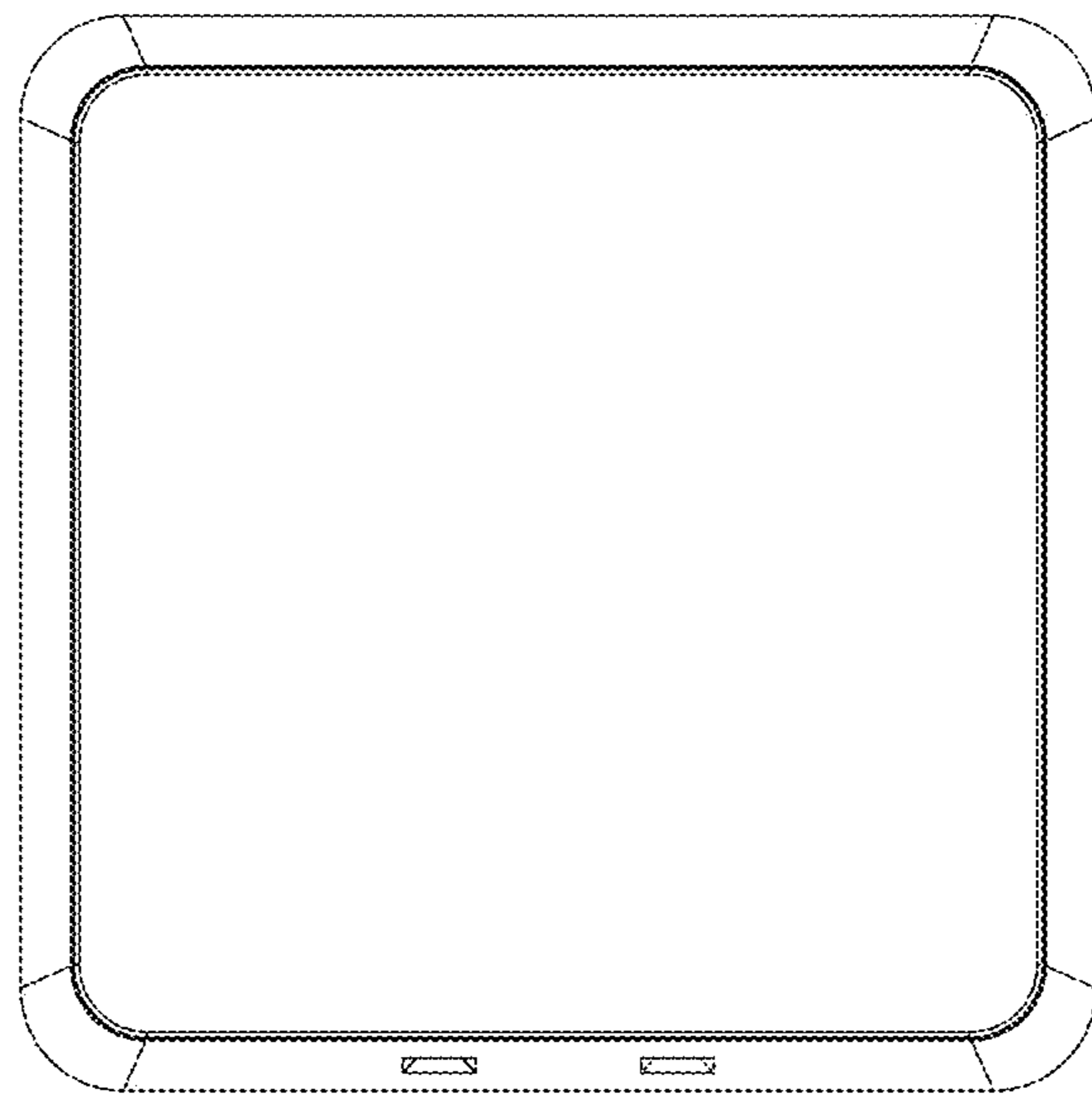


FIG. 2

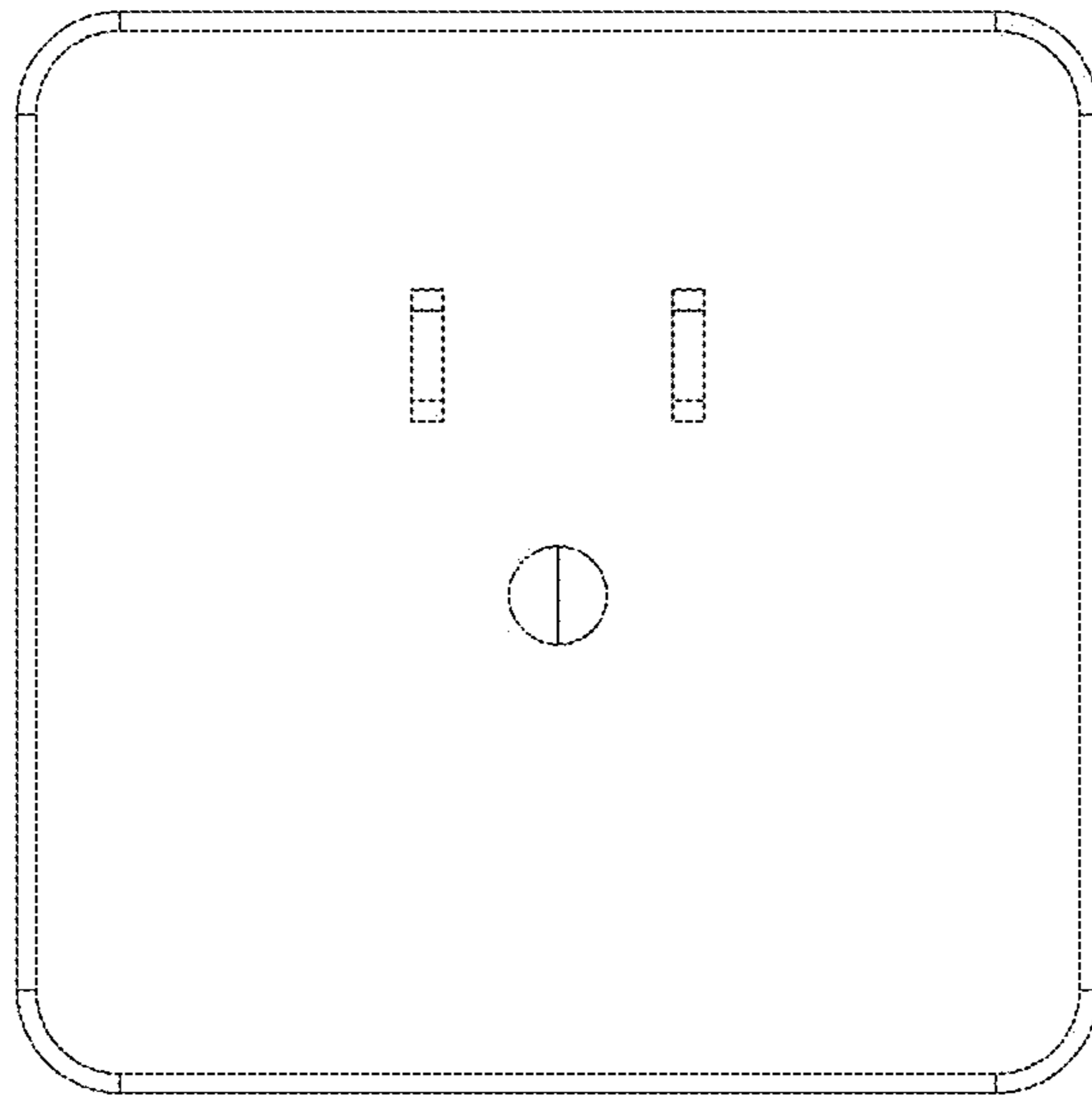


FIG. 3

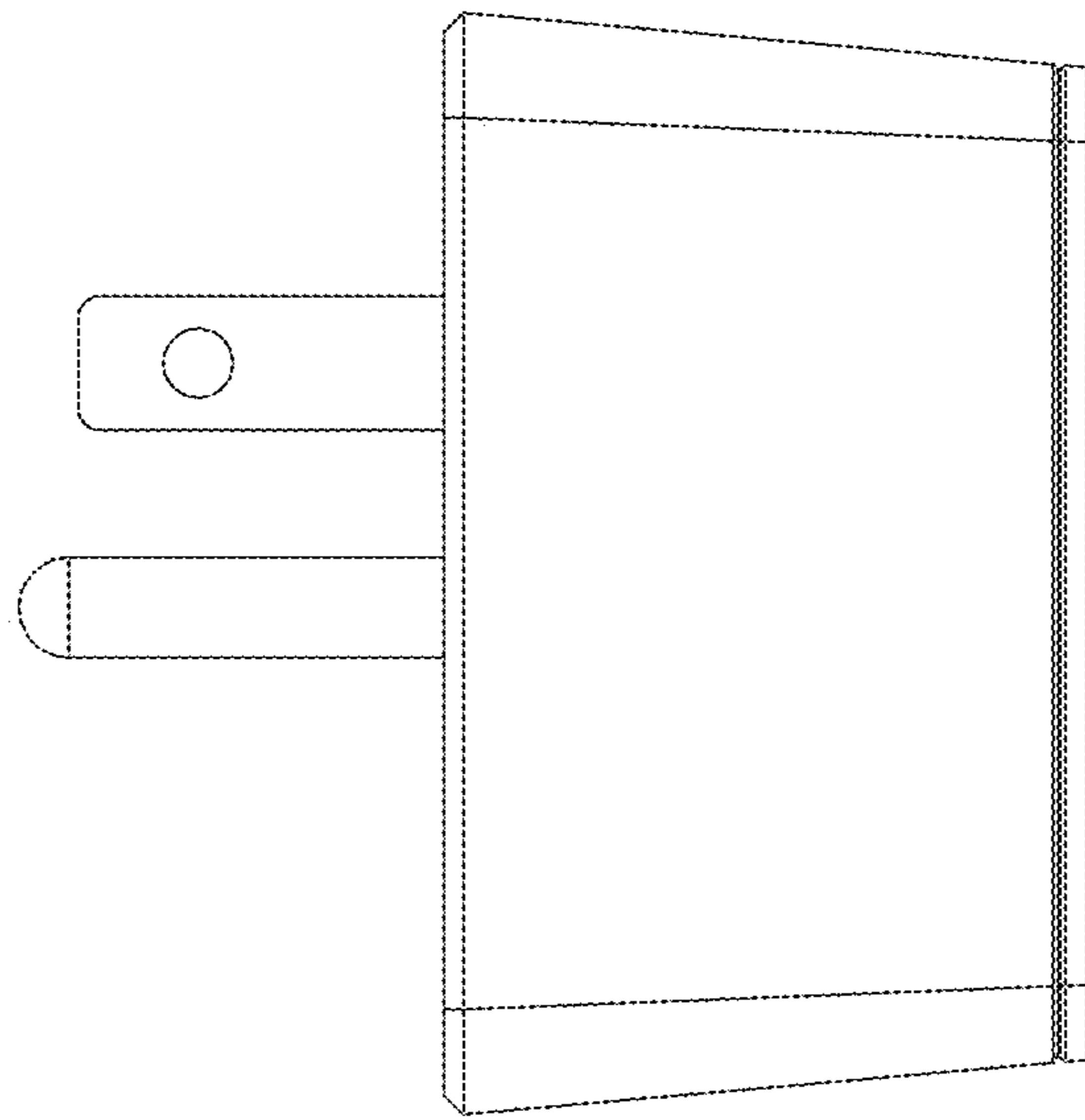


FIG. 4

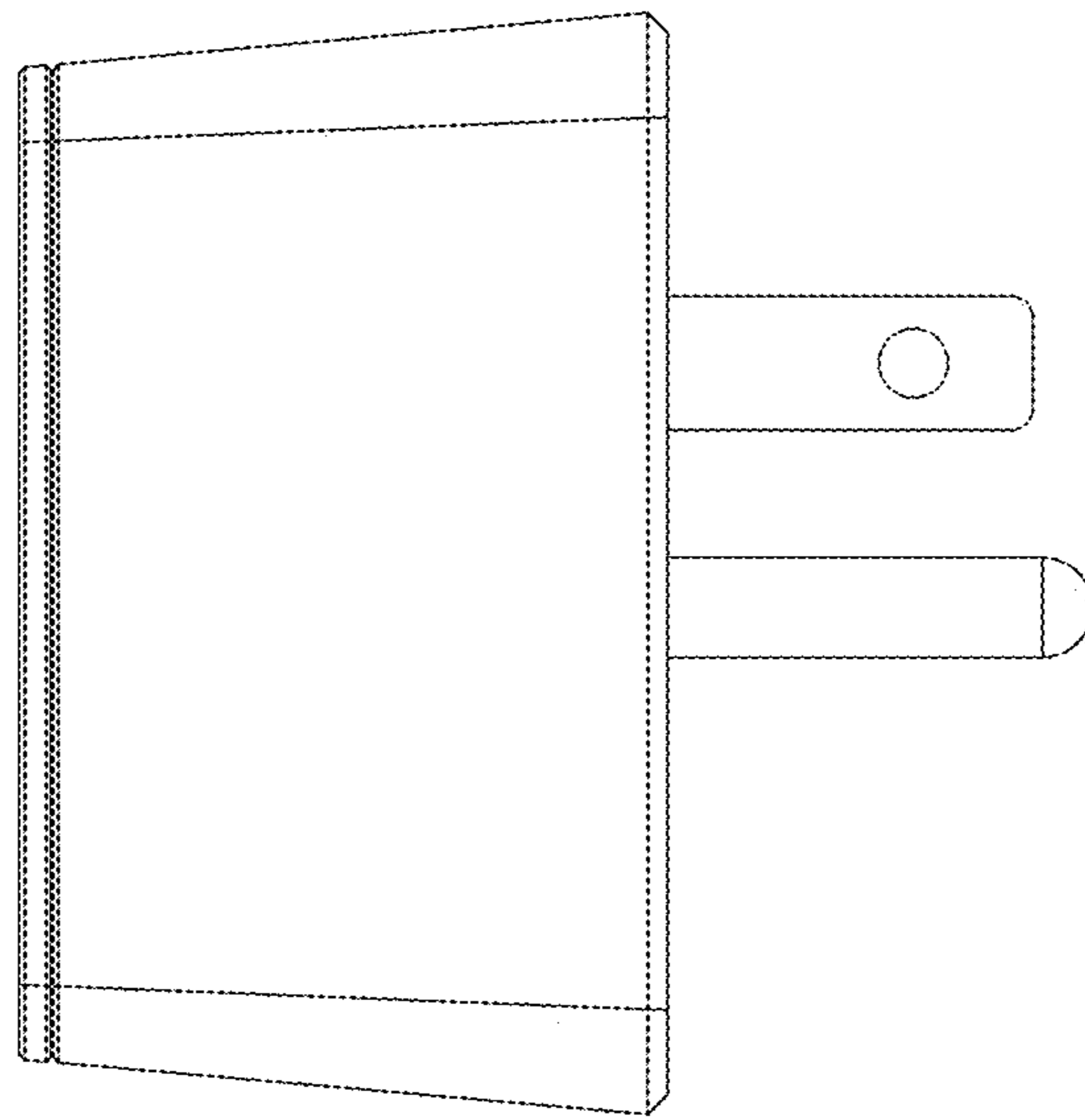


FIG. 5

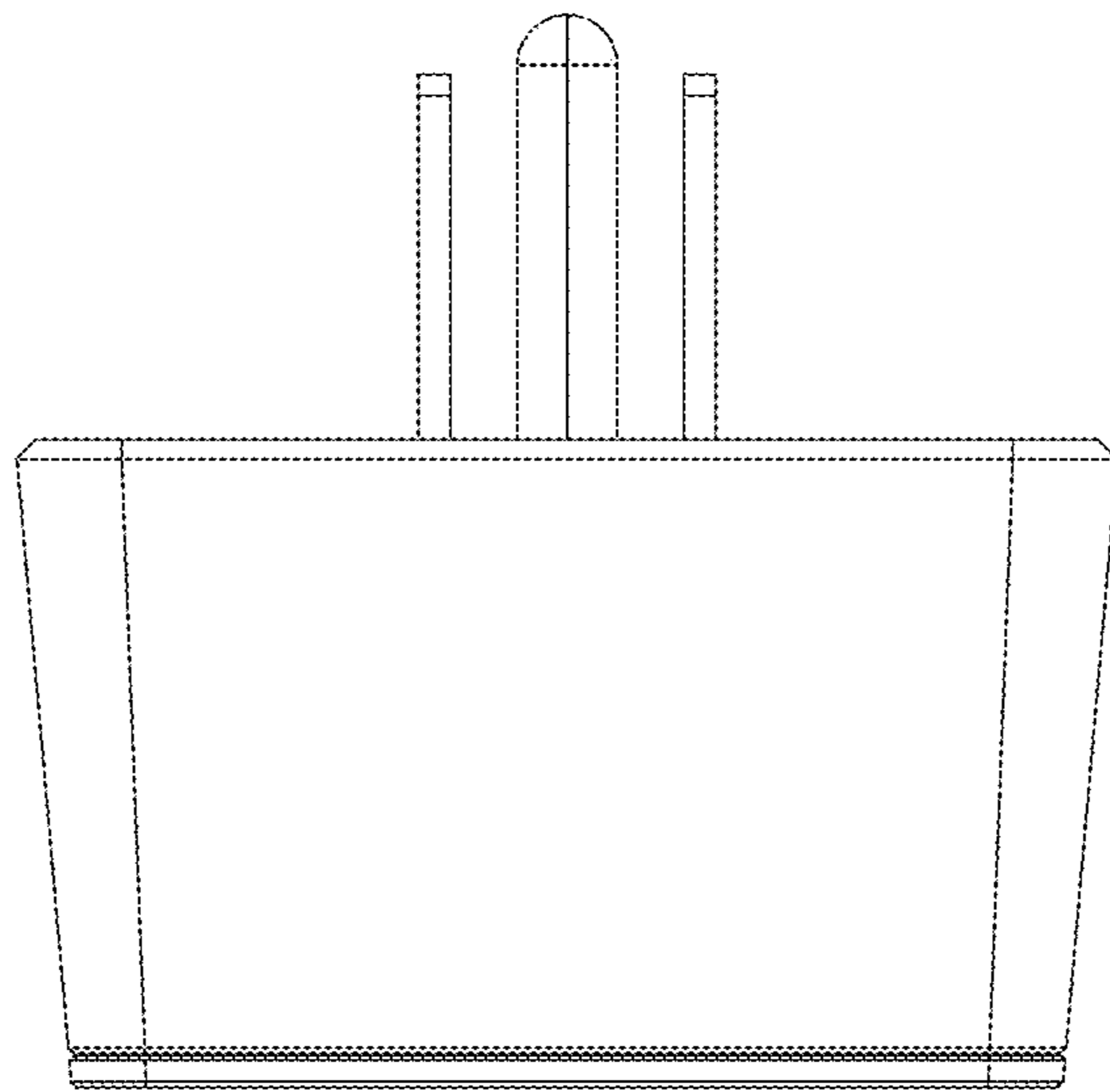


FIG. 6

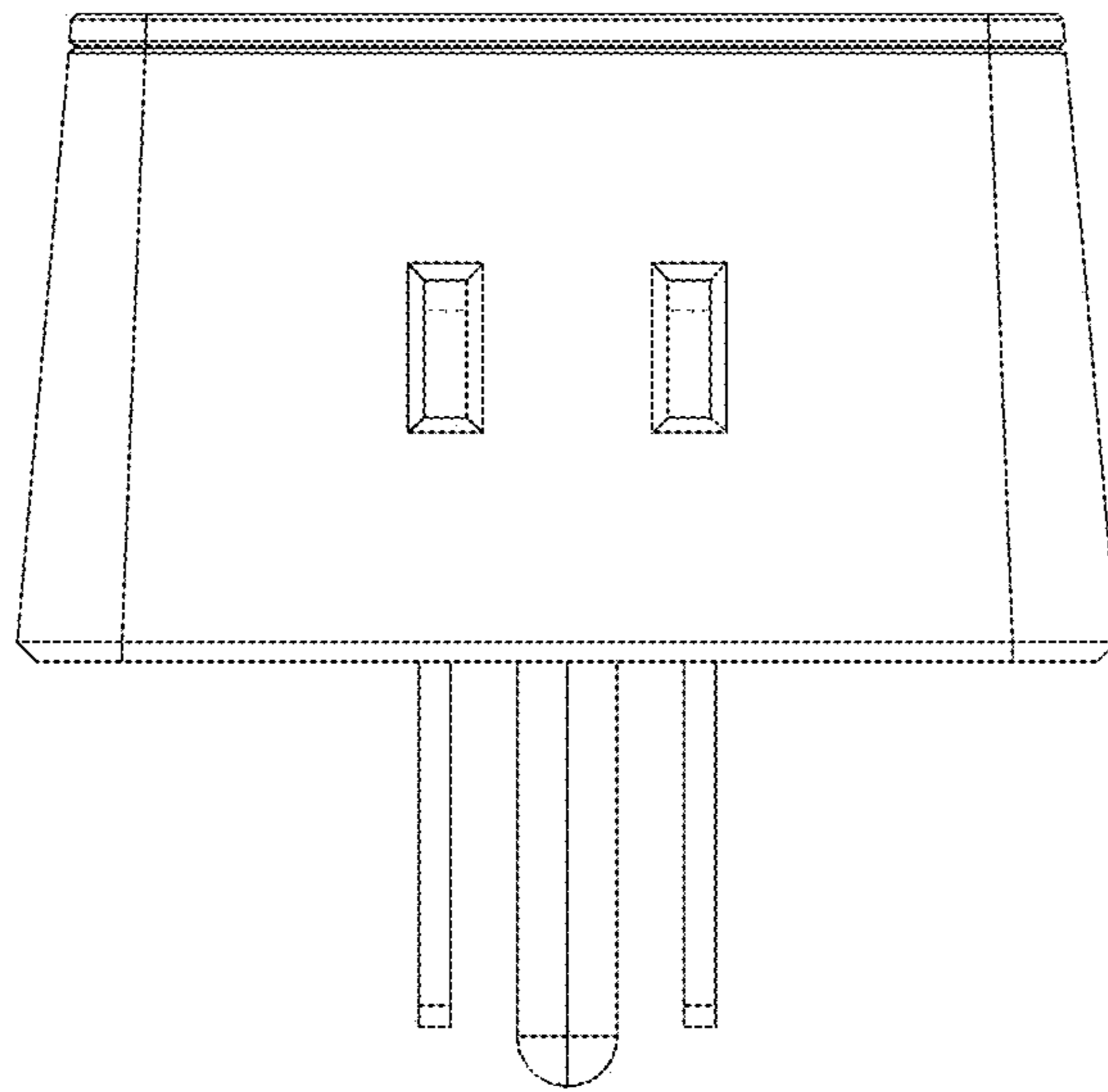


FIG. 7