



US00D906986S

(12) **United States Design Patent** (10) **Patent No.:** **US D906,986 S**
Shimizu et al. (45) **Date of Patent:** **** Jan. 5, 2021**

(54) **TERMINAL FITTING FOR CONDUCTIVE PLATE**

FOREIGN PATENT DOCUMENTS

(71) Applicants: **AUTONETWORKS TECHNOLOGIES, LTD.**, Yokkaichi (JP); **SUMITOMO WIRING SYSTEMS, LTD.**, Yokkaichi (JP); **SUMITOMO ELECTRIC INDUSTRIES, LTD.**, Osaka (JP)

JP 968944 S 11/1996
JP 1005925 S 3/1998

(Continued)

(72) Inventors: **Toru Shimizu**, Yokkaichi (JP); **Sunghyun Byun**, Yokkaichi (JP)

OTHER PUBLICATIONS

“Standard Mag-Mate Terminal”. Found online Jul. 13, 2020 at datasheet.octopart.com. Reference dated Jun. 2016. Retrieved from <https://datasheet.octopart.com/62310-2-TE-Connectivity-datasheet-66540358.pdf>. (Year: 2016).*

(Continued)

(73) Assignees: **AUTONETWORKS TECHNOLOGIES, LTD.**, Yokkaichi (JP); **SUMITOMO WIRING SYSTEMS, LTD.**, Yokkaichi (JP); **SUMITOMO ELECTRIC INDUSTRIES, LTD.**, Osaka (JP)

Primary Examiner — Kendra Leslie Hamilton
Assistant Examiner — Amanda Christensen
(74) *Attorney, Agent, or Firm* — Cantor Colburn LLP

(**) Term: **15 Years**

(57) **CLAIM**

(21) Appl. No.: **29/681,866**

The ornamental design for a terminal fitting for conductive plate, as shown and described.

(22) Filed: **Feb. 28, 2019**

(30) **Foreign Application Priority Data**

DESCRIPTION

Sep. 12, 2018 (JP) 2018-019869

(51) **LOC (13) Cl.** **13-03**

(52) **U.S. Cl.**
USPC **D13/154**

(58) **Field of Classification Search**
USPC D13/118, 120, 133, 146, 149, 153, 154, D13/155, 173, 184, 199; D23/259, 262
(Continued)

FIG. 1 is a front, top, right side perspective view of a terminal fitting for a conductive plate showing our new design;
FIG. 2 is a front elevation view thereof, the rear elevation view being a mirror image thereof;
FIG. 3 is a top plan view thereof;
FIG. 4 is a bottom plan view thereof;
FIG. 5 is a right side elevation view thereof; and,
FIG. 6 is a left side elevation view thereof.
The equal length broken lines in the drawings depict portions of the terminal fitting for a conductive plate that form no part of the claimed design. The dash-dot-dash lines denote the boundary of the claim and form no part of the claimed design.

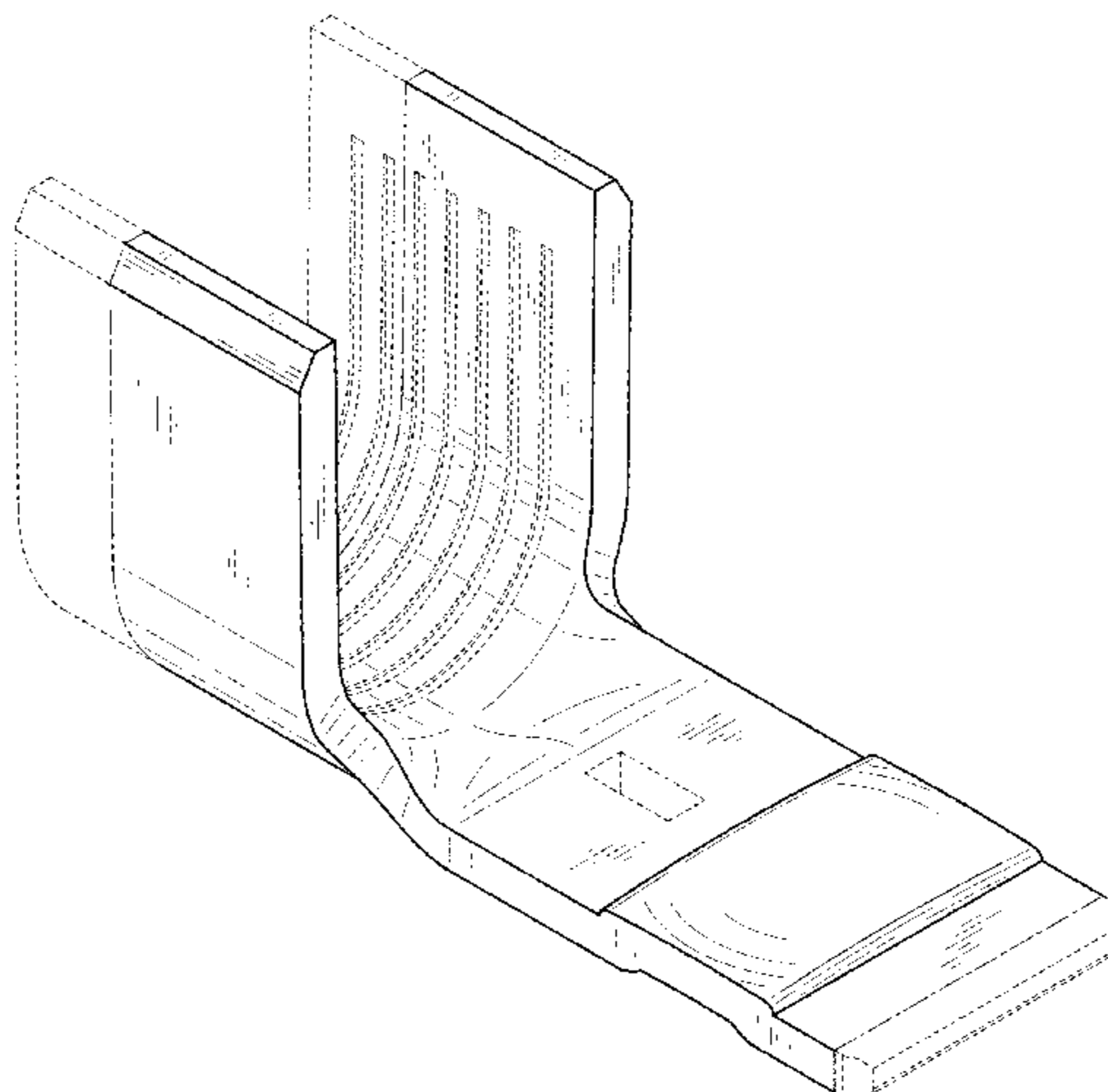
(56) **References Cited**

U.S. PATENT DOCUMENTS

3,363,224 A * 1/1968 Gluntz H01R 13/11
439/852
4,932,877 A * 6/1990 Zinn H01R 13/18
439/839

(Continued)

1 Claim, 6 Drawing Sheets



(58) **Field of Classification Search**

CPC H01R 4/00; H01R 12/70; H01R 13/052
See application file for complete search history.

FOREIGN PATENT DOCUMENTS

JP	1256096 S	11/2005
JP	1470331 S	5/2013
JP	1470533 S	5/2013
JP	D1483444 *	11/2013
JP	1573083 S	4/2017

(56) **References Cited**

U.S. PATENT DOCUMENTS

D475,022 S *	5/2003	Kihira	D13/133
D519,941 S *	5/2006	Kondas	D13/146
D621,368 S *	8/2010	Lee	D13/154
D634,273 S *	3/2011	Damon	D13/120
D724,543 S *	3/2015	Chen	D13/154
D775,088 S *	12/2016	Byrne	D13/154
D781,239 S *	3/2017	Ikeda	D13/154
D807,293 S *	1/2018	Schafmeister	D13/133
D813,817 S *	3/2018	Kataoka	D13/133
D888,669 S *	6/2020	Shimizu	D13/146
2013/0330968 A1 *	12/2013	Duan	H01R 4/489 439/586

OTHER PUBLICATIONS

“Clipsandfasteners Terminal Gauge”. Found online Jul. 13, 2020 at amazon.com. Reference dated Aug. 21, 2010. Retrieved from https://www.amazon.com/Clipsandfasteners-Inc-Metri-Pack-Terminal-12-10/dp/B0040CZMI/ref=sr_1_1. (Year: 2010).*

“Delphi Female Unsealed Terminal”. Found online Jul. 13, 2020 at amazon.com. Reference dated Nov. 25, 2016. Retrieved from https://www.amazon.com/Delphi-Metri-Pack-Unsealed-Terminal-12034046/dp/B06ZZJMX7W/ref=sr_1_1. (Year: 2016).*

* cited by examiner

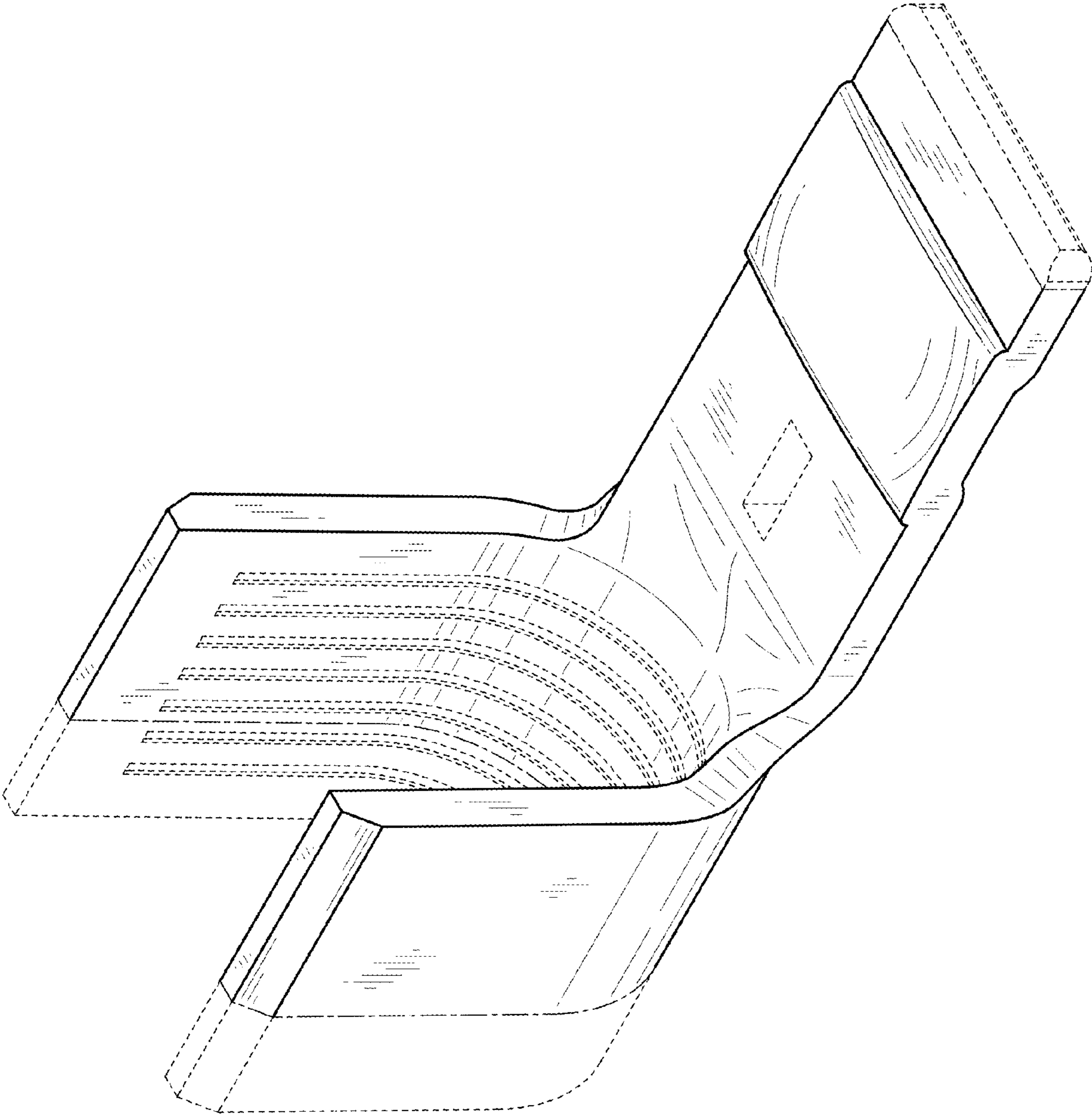


FIG.1

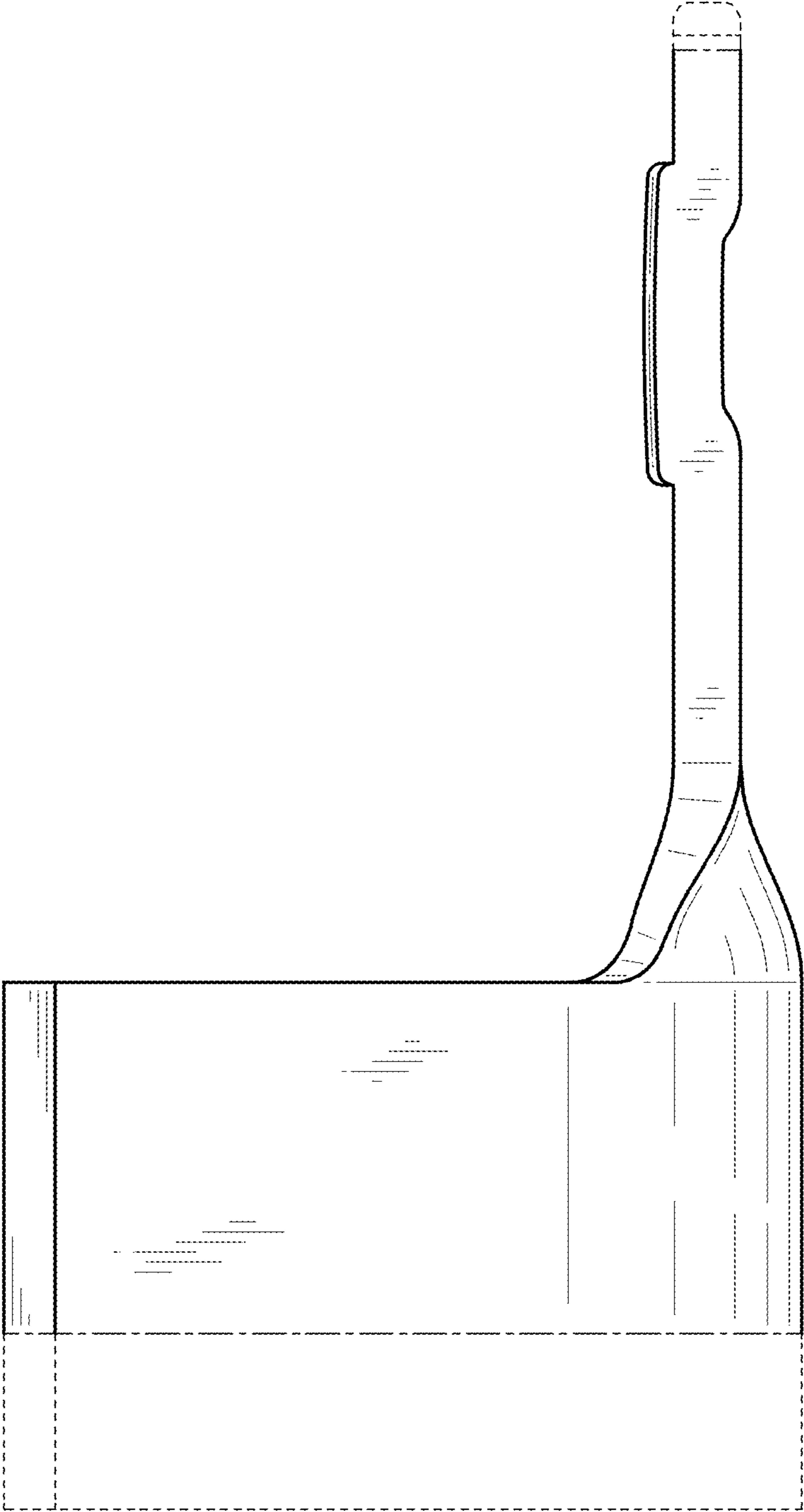


FIG.2

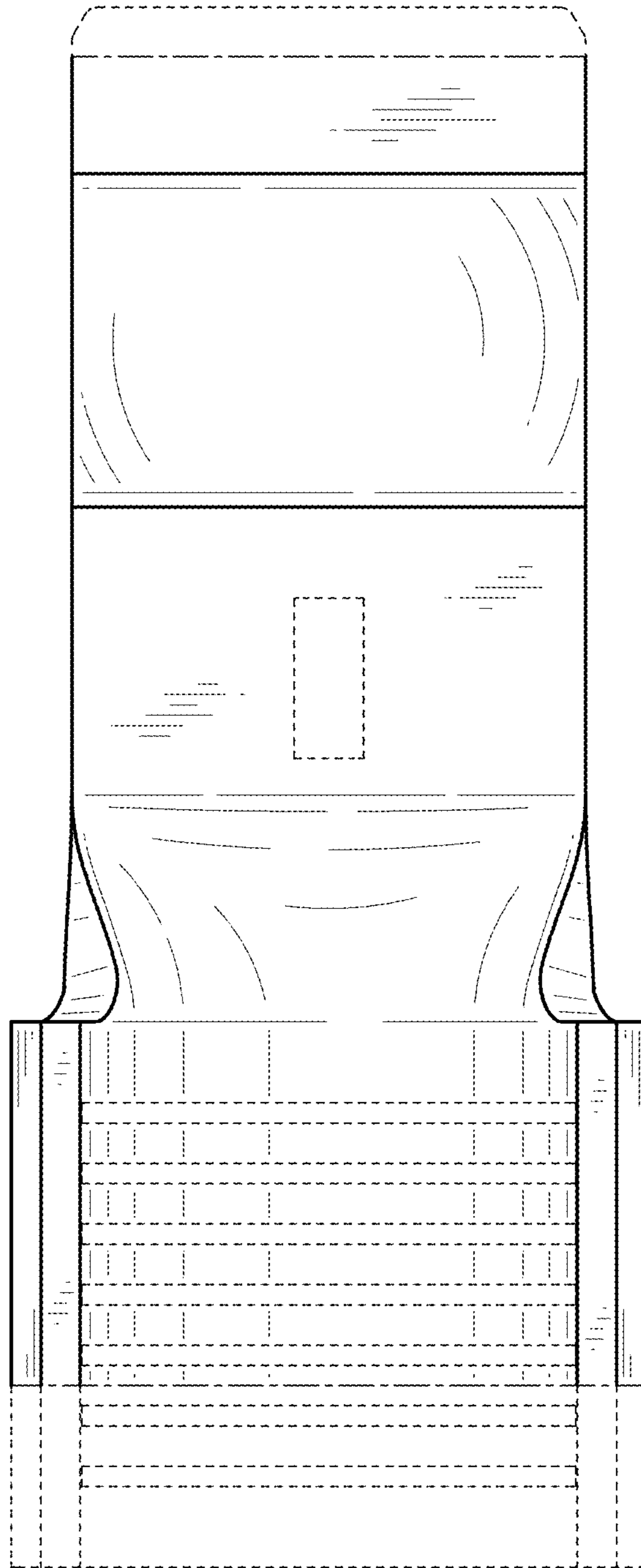


FIG.3

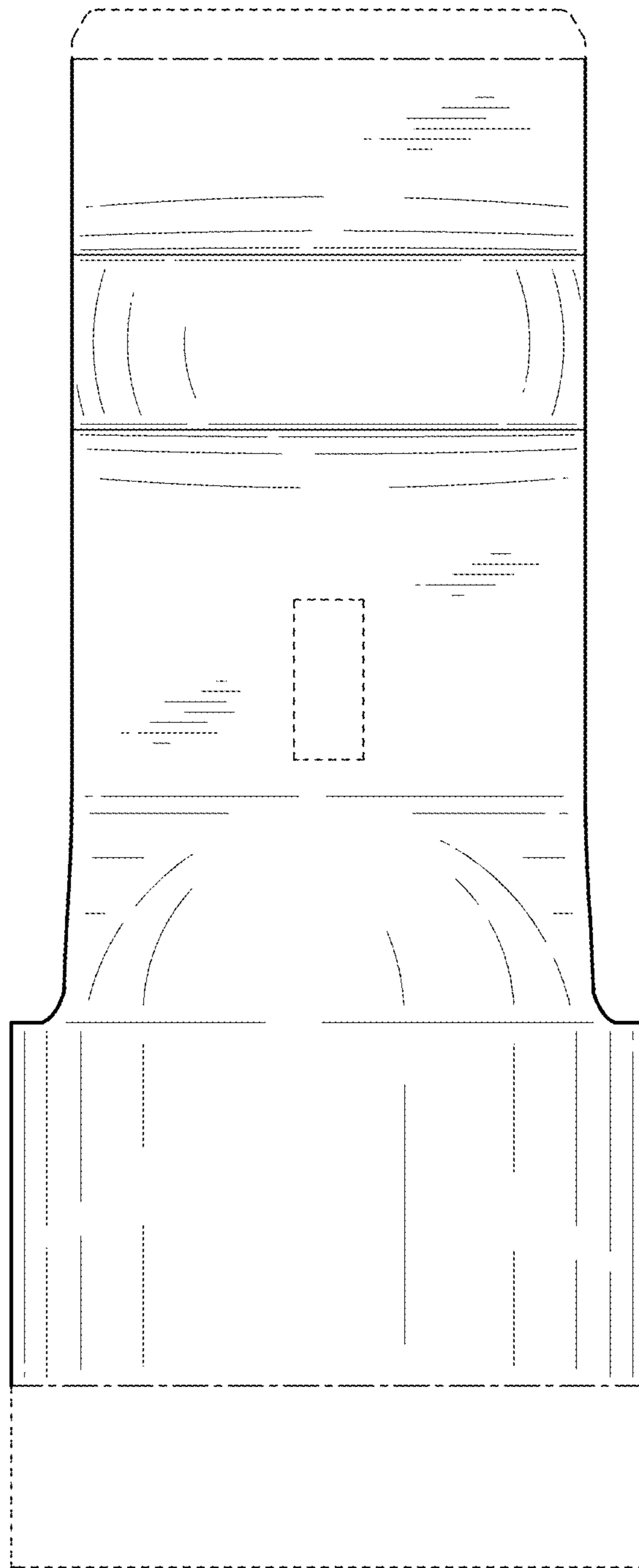


FIG.4

FIG.5

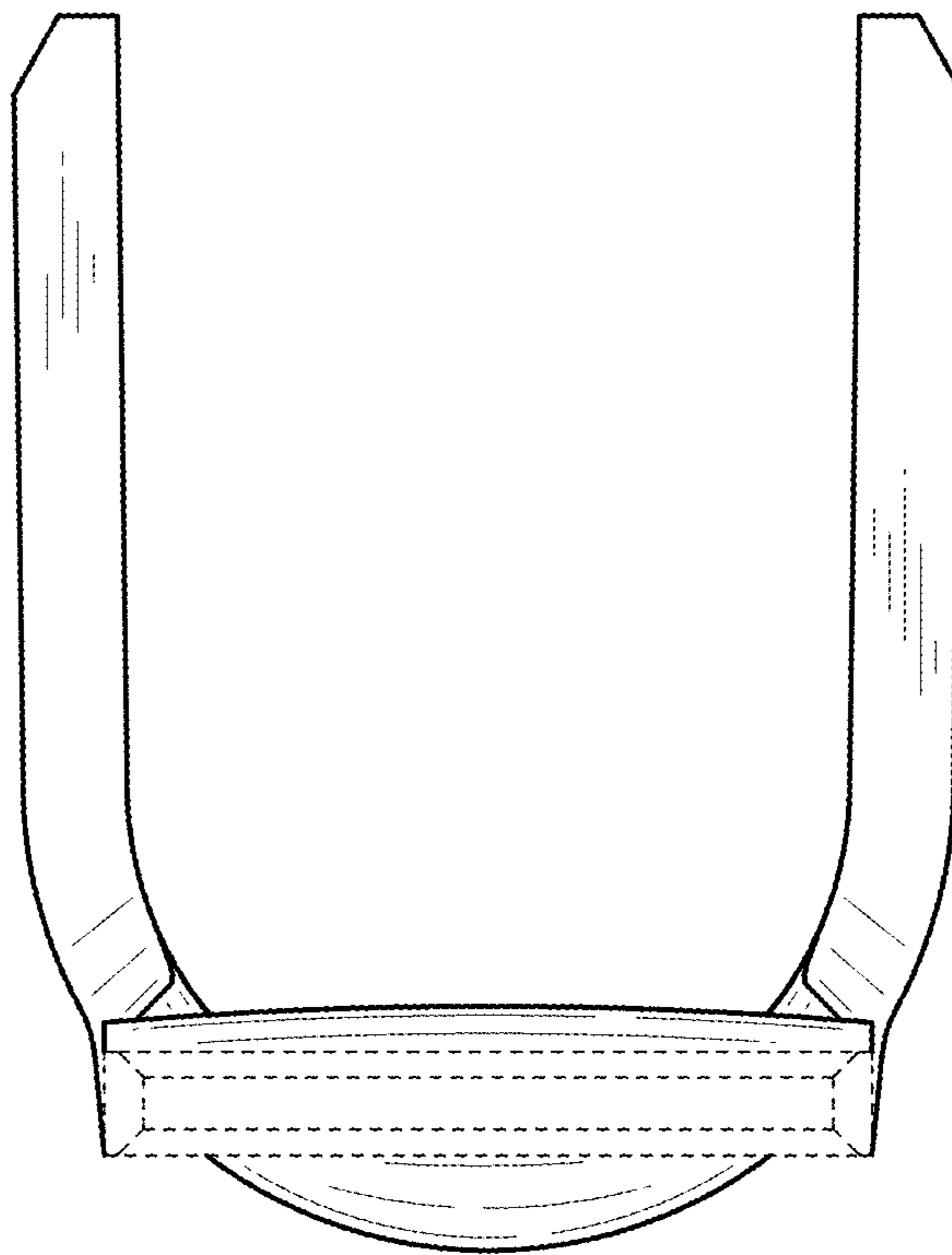


FIG.6

