



US00D906985S

(12) **United States Design Patent** (10) **Patent No.:** **US D906,985 S**
Somanathapura Ramanna et al. (45) **Date of Patent:** **** Jan. 5, 2021**

(54) **CONNECTOR TERMINAL**

D861,466 S * 10/2019 Swisher D8/356
D882,518 S * 4/2020 Otsu D13/133
D882,525 S * 4/2020 Bhagynathan Sathianathan
D13/154

(71) Applicant: **Molex, LLC**, Lisle, IL (US)

(72) Inventors: **Nrupathunga Chakravarthy**
Somanathapura Ramanna, Bangalore
(IN); **Pierre Perez**, Aurora, IL (US)

FOREIGN PATENT DOCUMENTS

TW D162075 8/2014
TW D166680 3/2015
TW D192839 9/2018

(73) Assignee: **Molex, LLC**, Lisle, IL (US)

(**) Term: **15 Years**

OTHER PUBLICATIONS

(21) Appl. No.: **29/676,421**

Recepticle Housing, Apr. 15, 2020, [online], [site visited Apr. 23, 2020], Available from Internet URL: https://www.molex.com/webdocs/datasheets/pdf/en-us/0016020069_CRIMP_TERMINALS.pdf (Year: 2020).*

(22) Filed: **Jan. 10, 2019**

(51) **LOC (13) Cl.** **13-03**

(52) **U.S. Cl.**
USPC **D13/149**

* cited by examiner

(58) **Field of Classification Search**
USPC D3/203.1-203.3; D13/133, 146, 147,
D13/184, 153, 110, 118, 120, 123, 154
CPC .. H01R 13/506; H01R 13/516; H01R 13/518;
H01R 13/58; H01R 13/627; H01R
13/6315; H01R 13/6586; H01R 13/5897;
H01R 13/24; H01R 13/5205
See application file for complete search history.

Primary Examiner — Karen E Kearney

Assistant Examiner — Michael Chong

(74) *Attorney, Agent, or Firm* — Banner & Witcoff, Ltd.

(57) **CLAIM**

The ornamental design for a connector terminal, as shown and described.

DESCRIPTION

(56) **References Cited**

U.S. PATENT DOCUMENTS

D453,739 S * 2/2002 Lin D13/148
D457,136 S * 5/2002 Hayashi D13/133
D556,132 S * 11/2007 Takizawa D13/133
D592,150 S * 5/2009 Ogata D13/154
D602,876 S * 10/2009 Yu D13/154
D605,137 S * 12/2009 Yu D13/154
9,362,659 B2 * 6/2016 Jones H01R 9/053
D781,239 S * 3/2017 Ikeda D13/154
9,685,726 B2 * 6/2017 Ang H01R 13/05
D845,237 S * 4/2019 Lin D13/120
D847,761 S * 5/2019 Bhagyanathan Sathianathan
D13/154
D858,443 S * 9/2019 Huang D13/133

FIG. 1 is a front perspective view of a connector terminal showing our new design;

FIG. 2 is a right side view thereof;

FIG. 3 is a left side view thereof;

FIG. 4 is a top view thereof;

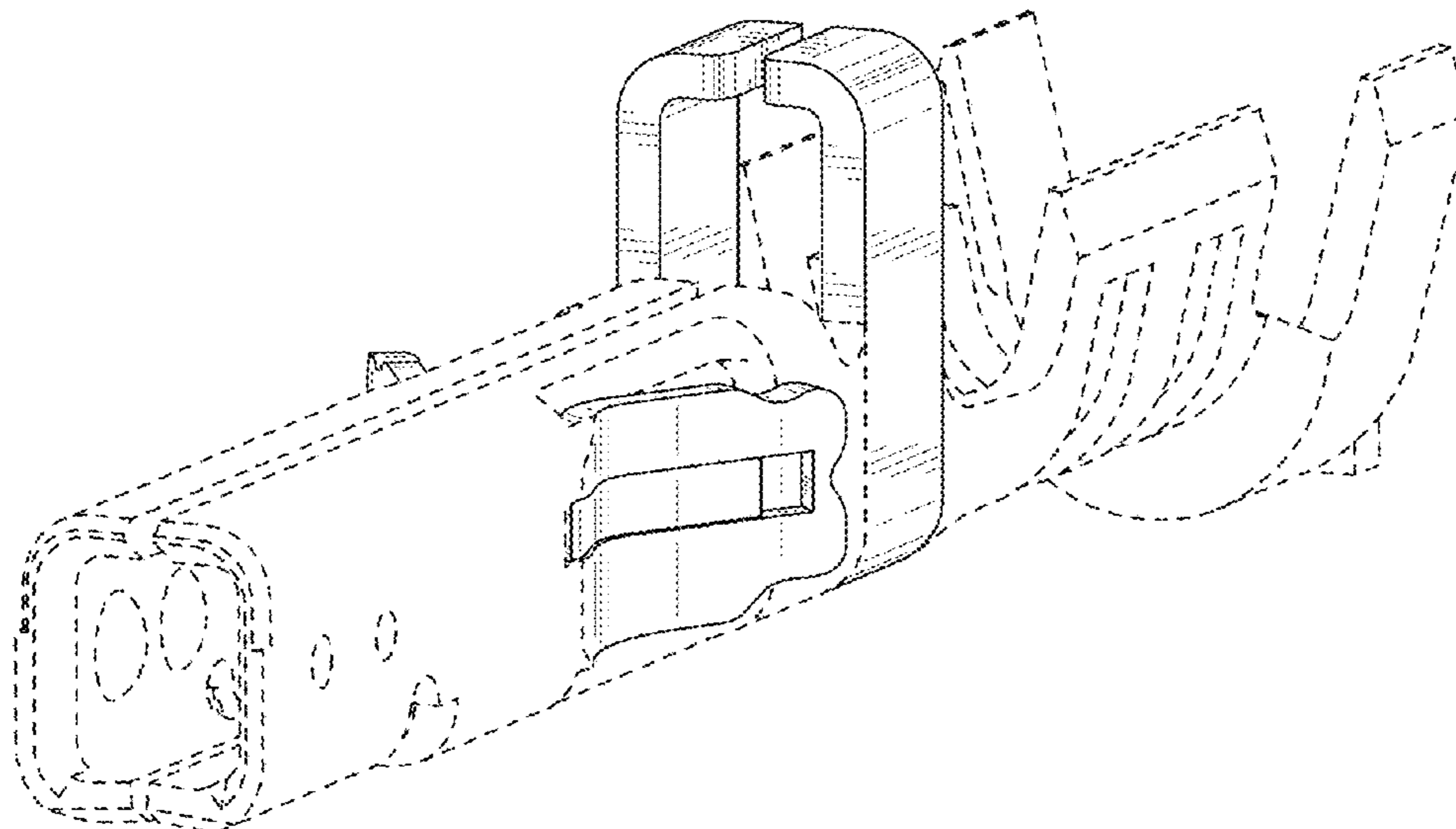
FIG. 5 is a bottom view thereof;

FIG. 6 is a front view thereof; and,

FIG. 7 is a rear view thereof.

The broken lines immediately adjacent to the shaded areas represent the bounds of the claimed design and form no part thereof. The broken lines depicting the remainder of the connector terminal show features that form no part of the claimed design.

1 Claim, 6 Drawing Sheets



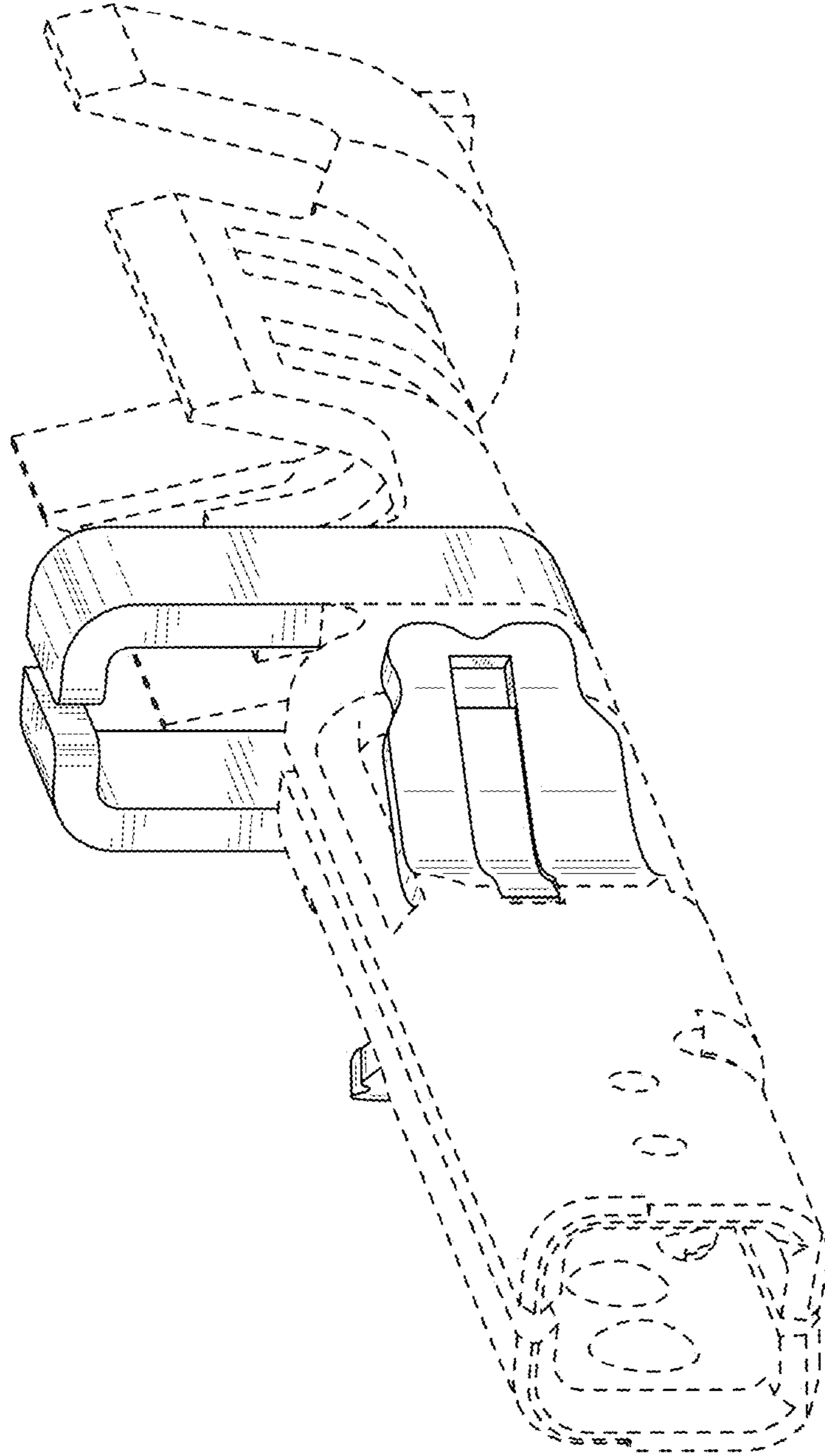


FIG. 1

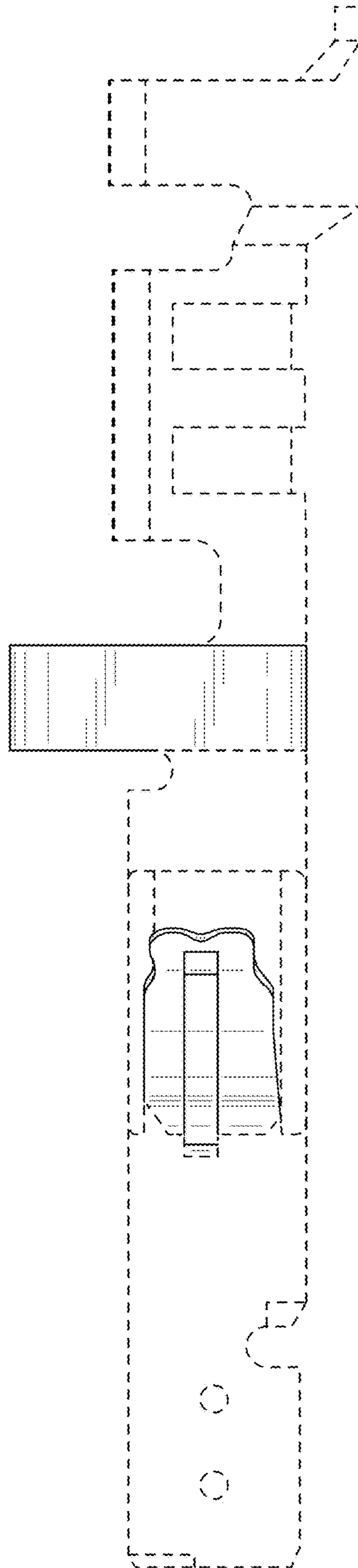


FIG. 2

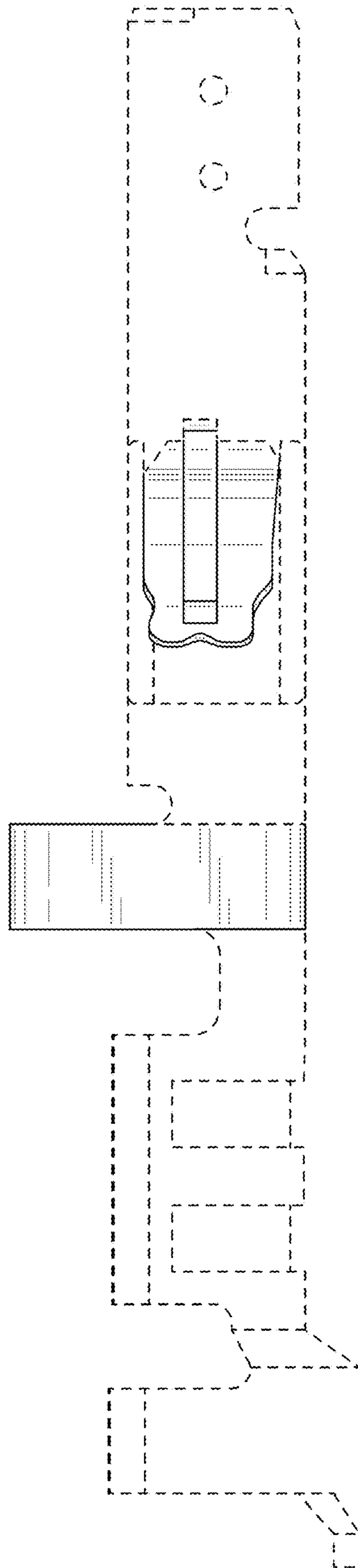


FIG. 3

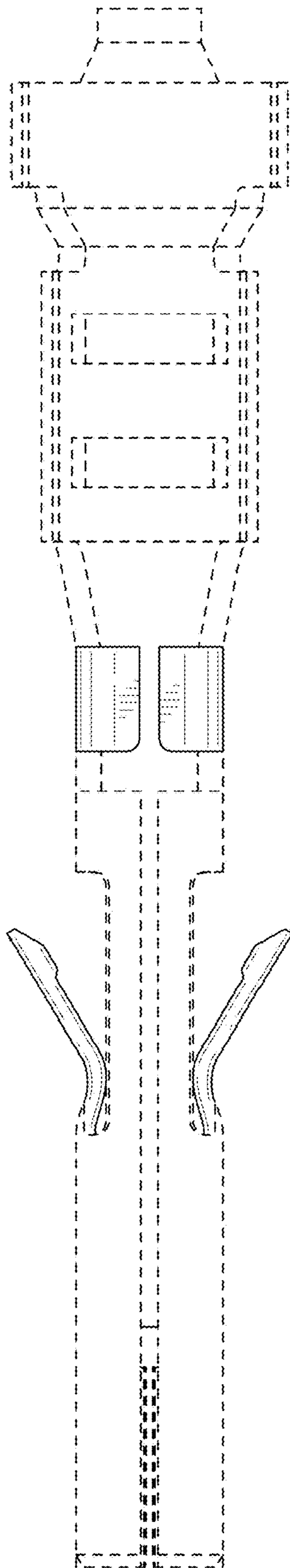


FIG. 4

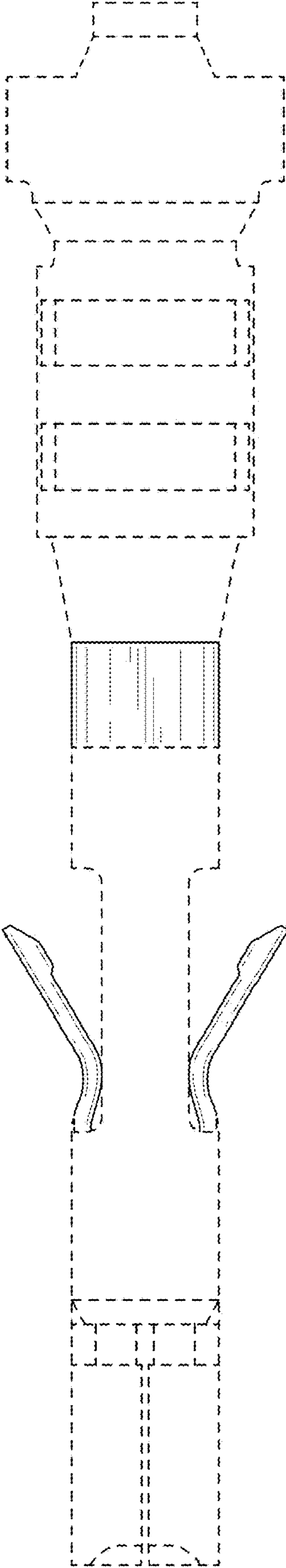


FIG. 5

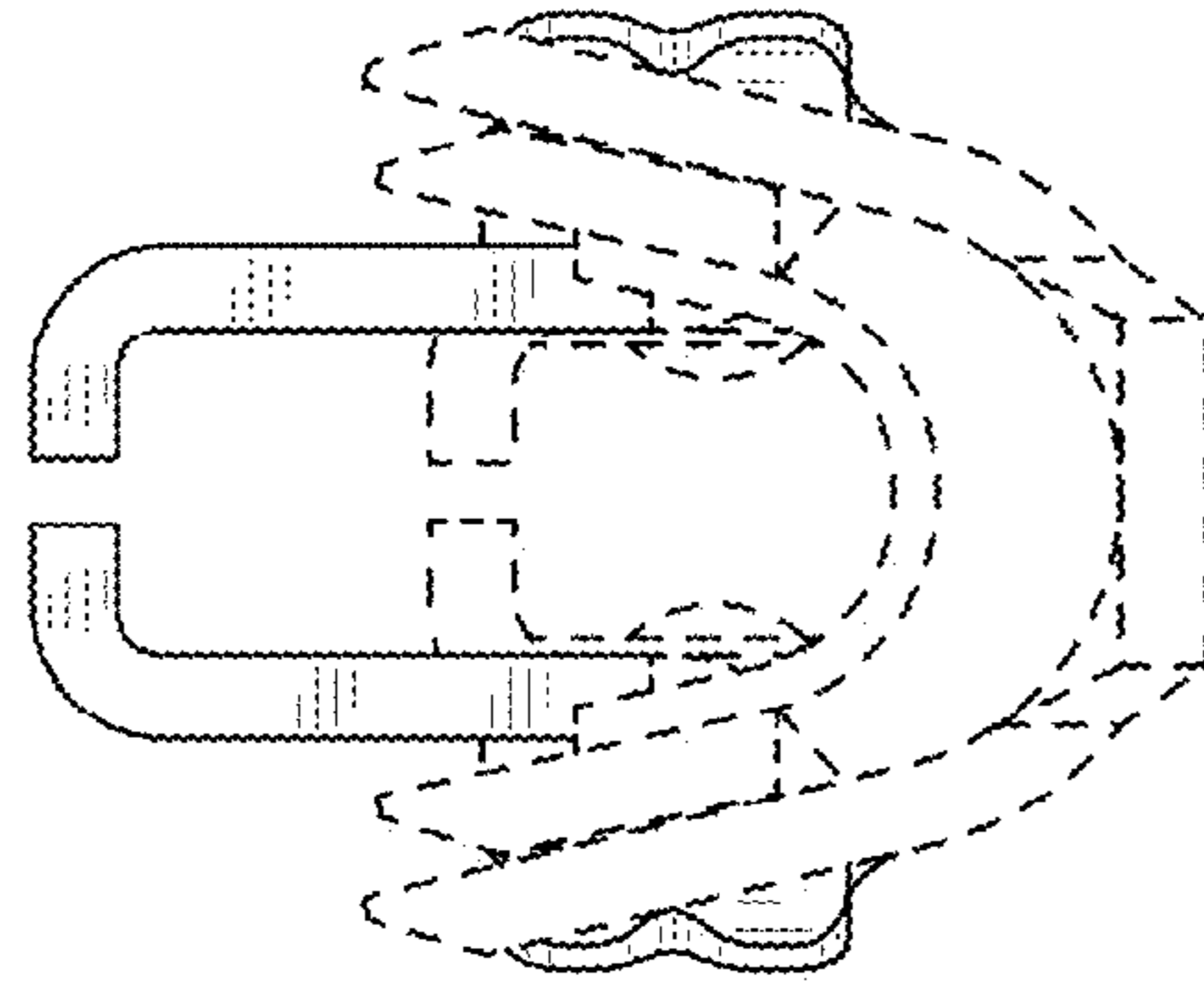


FIG. 7

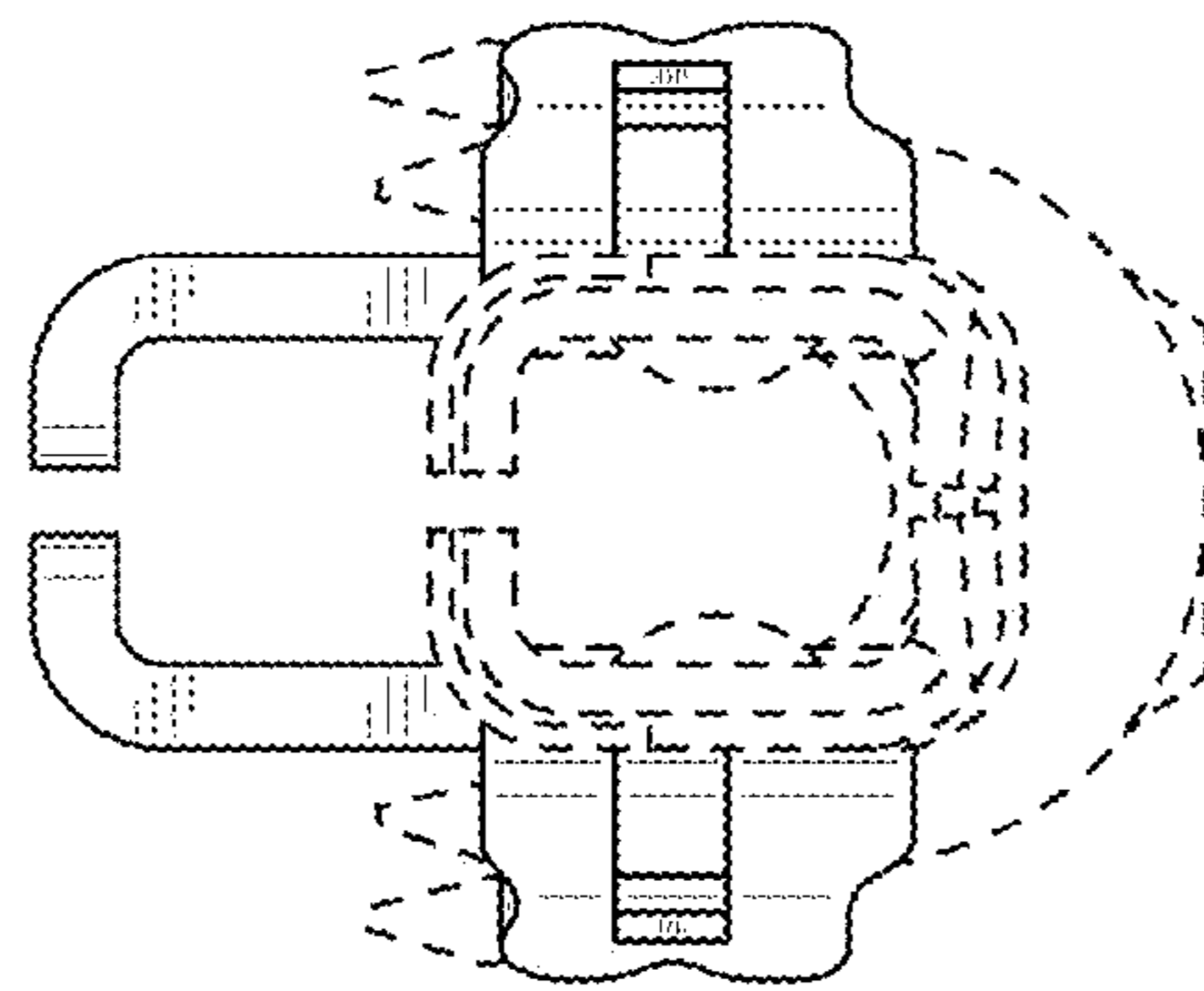


FIG. 6