



US00D906983S

(12) **United States Design Patent**
Manba

(10) **Patent No.:** **US D906,983 S**
(45) **Date of Patent:** **** Jan. 5, 2021**

(54) **ELECTRICAL CONNECTOR**

(74) *Attorney, Agent, or Firm* — Hauptman Ham, LLP

(71) Applicant: **KYOCERA Corporation**, Kyoto (JP)

(57) **CLAIM**

(72) Inventor: **Yousuke Manba**, Yokohama (JP)

The ornamental design for an electrical connector, as shown and described.

(73) Assignee: **KYOCERA CORPORATION**, Kyoto (JP)

(**) Term: **15 Years**

(21) Appl. No.: **29/685,166**

(22) Filed: **Mar. 27, 2019**

(30) **Foreign Application Priority Data**

Oct. 24, 2018 (JP) 2018-023286

(51) **LOC (13) Cl.** **13-03**

(52) **U.S. Cl.**
USPC **D13/147**

(58) **Field of Classification Search**
USPC D13/101, 112, 110, 118, 120, 123, 133,
D13/146, 147, 149, 154, 156, 182, 184,
D13/199; D14/356, 433, 435, 438
(Continued)

(56) **References Cited**

U.S. PATENT DOCUMENTS

D495,997 S * 9/2004 Kuroki D13/147
D673,505 S * 1/2013 Matoba D13/147
(Continued)

OTHER PUBLICATIONS

“Antenk Ejector Header”. Found online May 29, 2020 at bsg-i.nbx.com. Reference dated May 1, 2016. Retrieved from <https://bsg-i.nbx.com/upload/572/392/pdf/92c7197a9796865c8ddf6e0821.pdf>. (Year: 2016).*

(Continued)

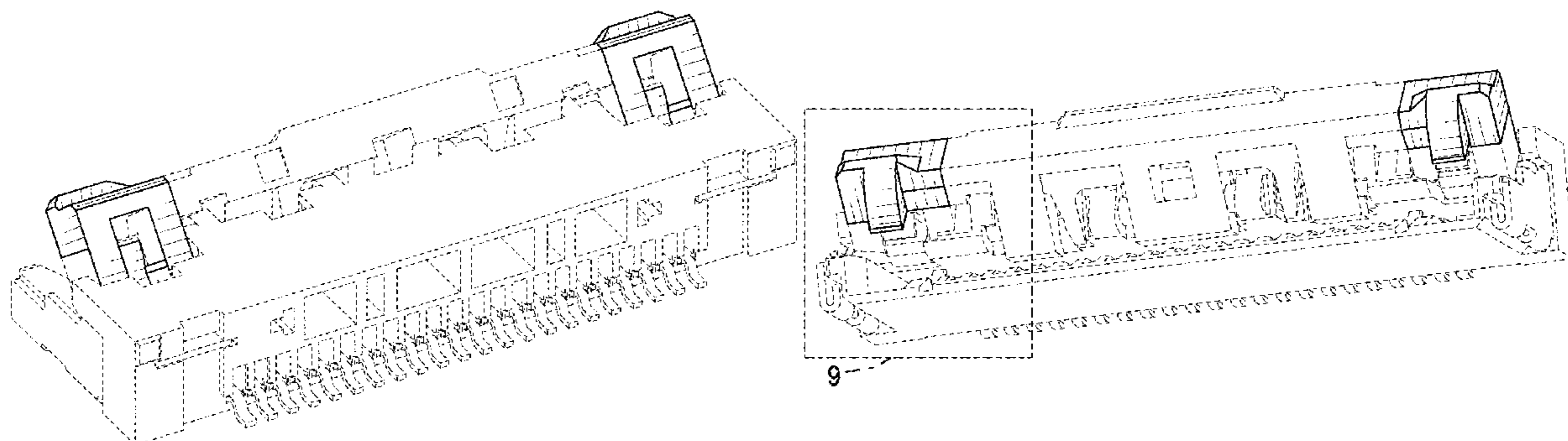
Primary Examiner — Kendra Leslie Hamilton

Assistant Examiner — Amanda Christensen

DESCRIPTION

FIG. 1 is a top, right, rear perspective view of an electric connector, showing my new design, shown open, in a first configuration for use;
FIG. 2 is a front elevation view thereof;
FIG. 3 is a rear elevation view thereof;
FIG. 4 is a left side elevation view thereof, the right side being a mirror image of FIG. 4;
FIG. 5 is a top plan view thereof;
FIG. 6 is a bottom plan view thereof;
FIG. 7 is an enlarged front elevation view of the detail identified in FIG. 2;
FIG. 8 is a bottom, right, front perspective view thereof;
FIG. 9 is an enlarged bottom, right, front perspective view of the detail identified in FIG. 8;
FIG. 10 is a left, front perspective view thereof;
FIG. 11 is an enlarged left, front perspective view of the detail identified in FIG. 10;
FIG. 12 is a top, left, rear perspective view thereof;
FIG. 13 is an enlarged top, left, rear perspective view of the detail identified in FIG. 12;
FIG. 14 is a top, right, rear perspective view thereof;
FIG. 15 is an enlarged top, right, rear perspective view of the detail identified in FIG. 14;
FIG. 16 is a bottom, right perspective view thereof;
FIG. 17 is an enlarged bottom, right perspective view of the detail identified in FIG. 16;
FIG. 18 is a top, right, front perspective view of the electric connector of FIG. 1, shown closed, in a second configuration for use;
FIG. 19 is a top, right, rear perspective view of the electric connector of FIG. 18; and,
FIG. 20 is a top, right, front perspective view of the electric connector of FIG. 18, shown at a reduced scale and in condition of use.

(Continued)



The right side elevation view of the electric connector is omitted, because the right side elevation view is a mirror image of the left side elevation view of the electric connector.

The broken lines form no part of the claimed design.

1 Claim, 10 Drawing Sheets

(58) Field of Classification Search

CPC H01R 24/00; H01R 12/00; H01R 12/70; H01R 13/62

See application file for complete search history.

(56) References Cited

U.S. PATENT DOCUMENTS

D755,725 S *	5/2016	Honda	D13/147
9,627,809 B2 *	4/2017	Gordon	H01R 12/70
D800,070 S *	10/2017	Manba	D13/147
D822,611 S *	7/2018	Bettman	D13/147

D842,815 S *	3/2019	Senofsky	D13/147
D844,567 S *	4/2019	Kitagawa	D13/147
D845,248 S *	4/2019	Kitagawa	D13/147
D851,044 S *	6/2019	Faith	D13/147
D852,752 S *	7/2019	Uchida	D13/147
2008/0020616 A1 *	1/2008	Murakami	H01R 12/592 439/164
2016/0141785 A1 *	5/2016	Yokoo	H01R 12/772 439/733.1

OTHER PUBLICATIONS

“Townes Enterprise Pitch FPC”. Found online May 29, 2020 at php2.twiner.com. Reference dated Nov. 18, 2011. Retrieved from <http://php2.twiner.com.tw/files/townes/TFP-H6XXZH-BT1-ECX.pdf>. (Year: 2011).*

“TE Connectivity Fine Pitch Board to Board Connector”. Found online May 29, 2020 at te.com. Reference dated 2015. Retrieved from <https://www.te.com/commerce/DocumentDelivery/DDEController?Action=srchrtv&DocNm=1-1773839-9FinePitchBtBQRG&DocType=DS&DocLang=EN>. (Year: 2015).*

* cited by examiner

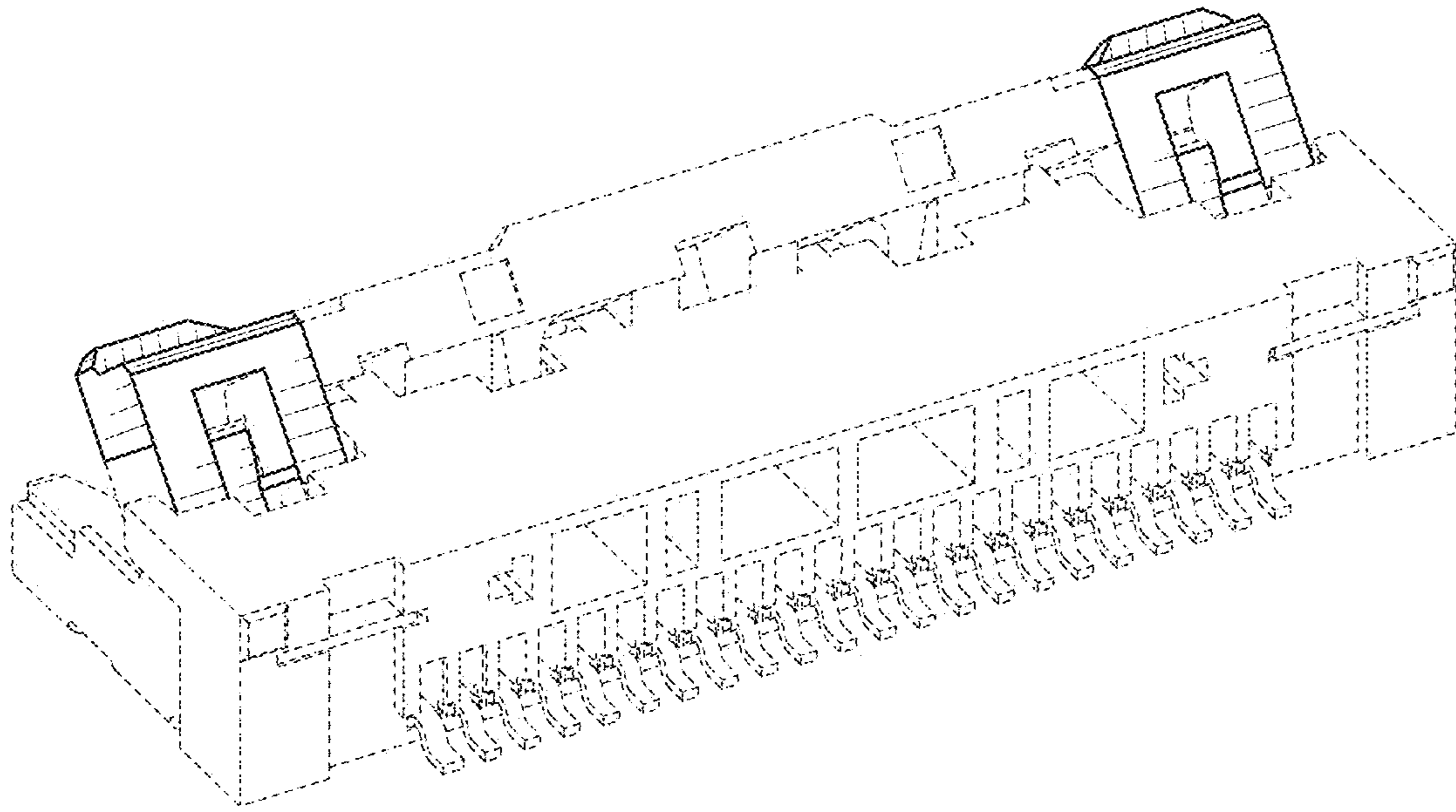


FIG. 1

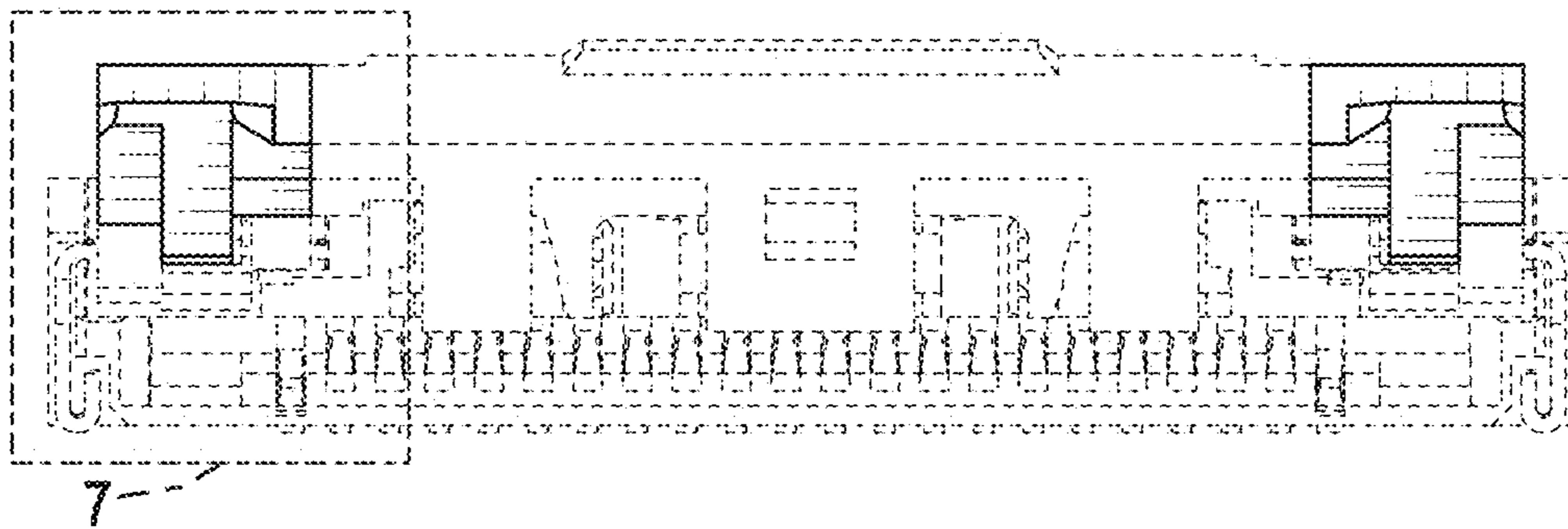


FIG. 2

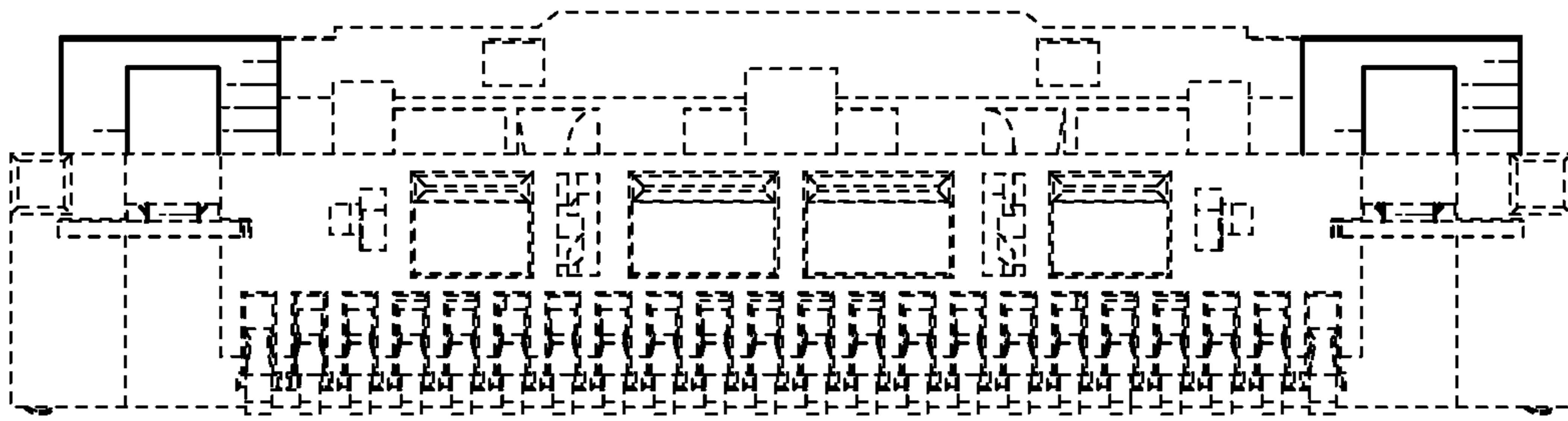


FIG. 3

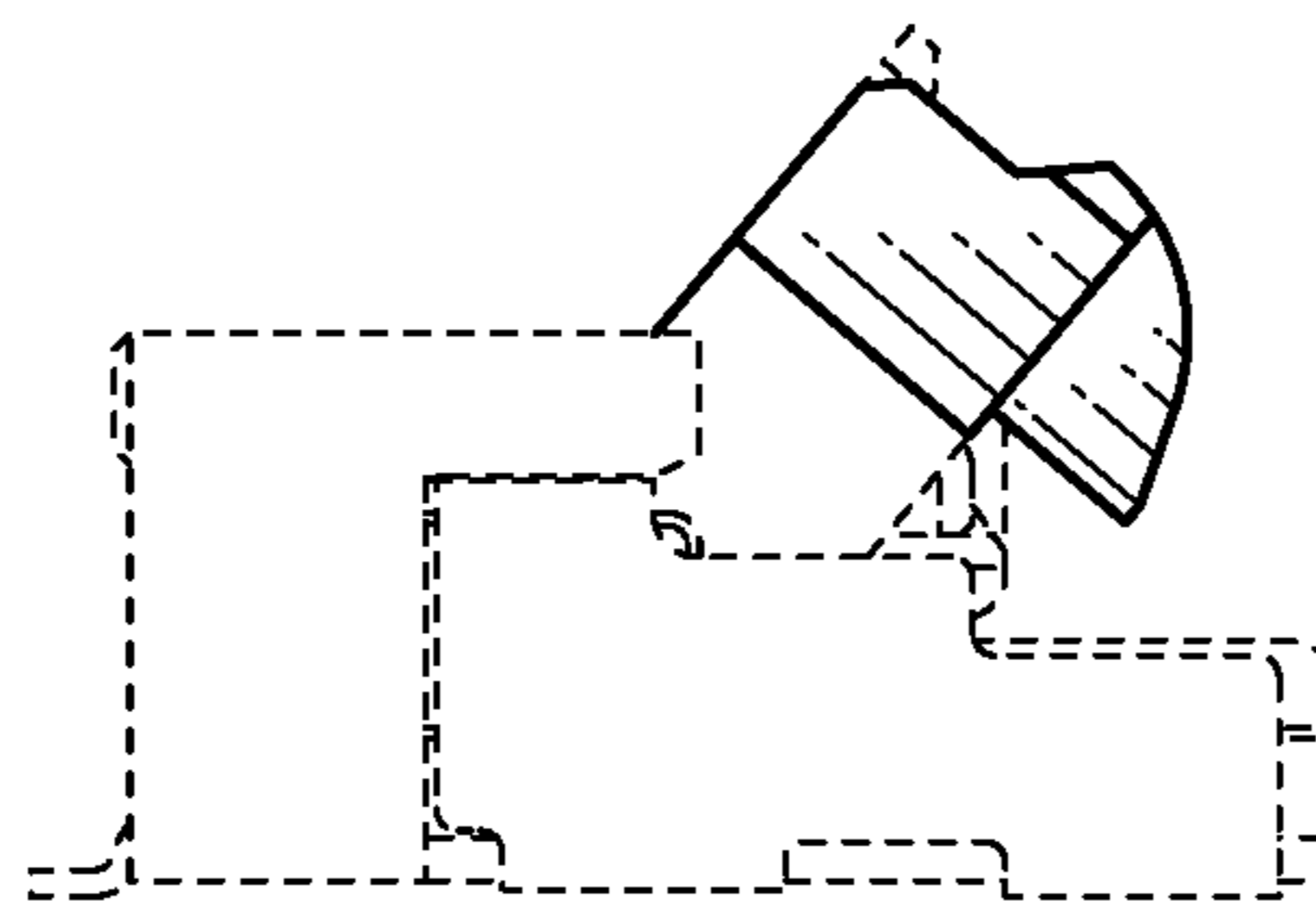


FIG. 4

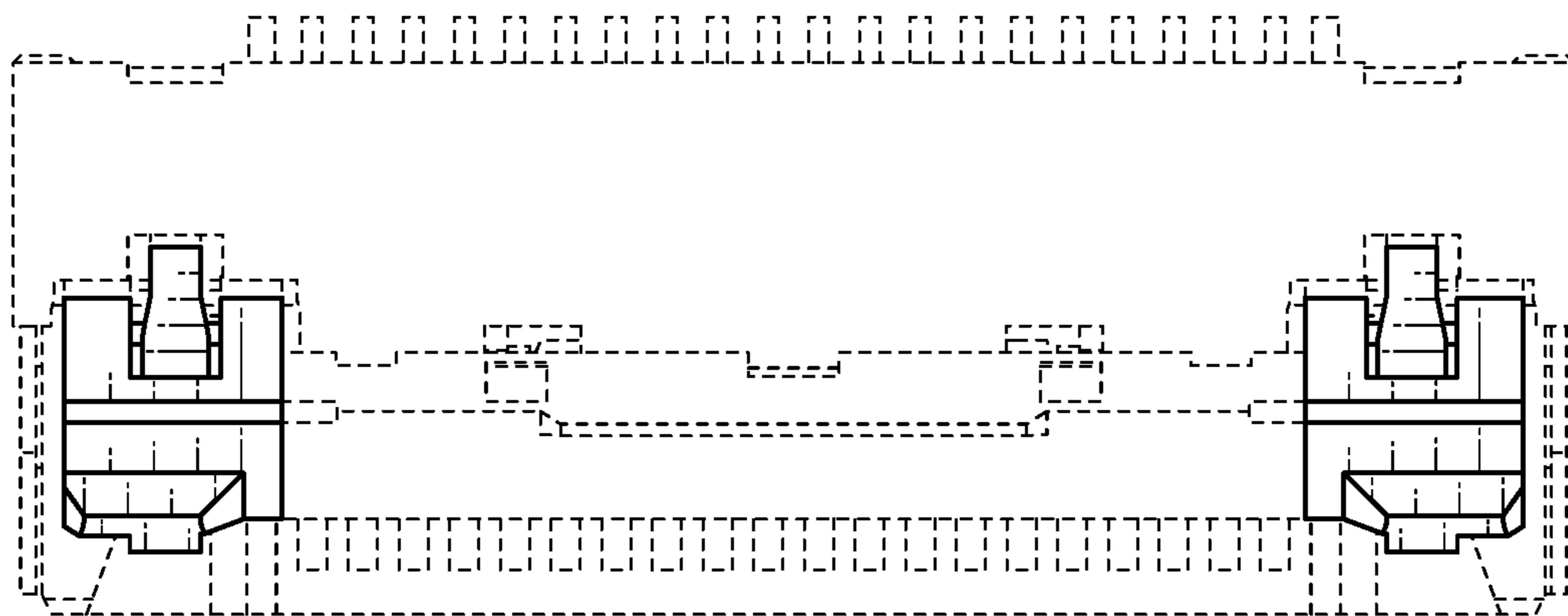


FIG. 5

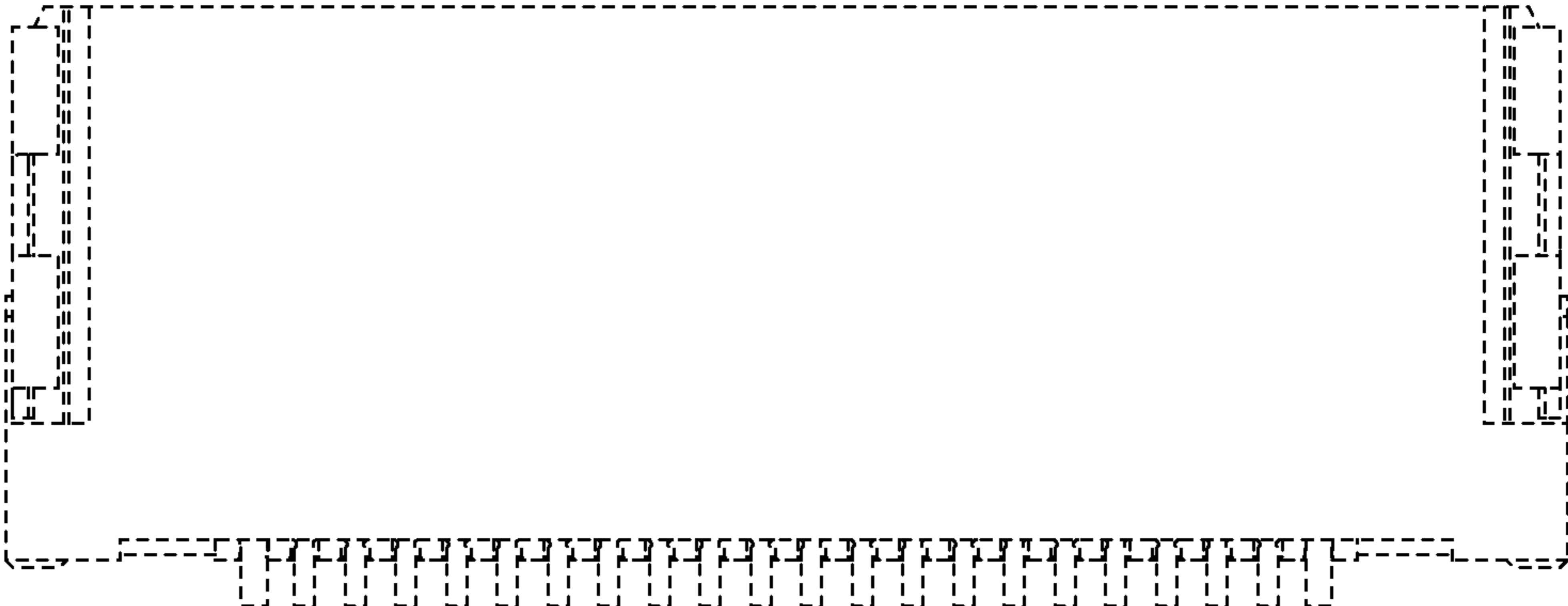


FIG. 6

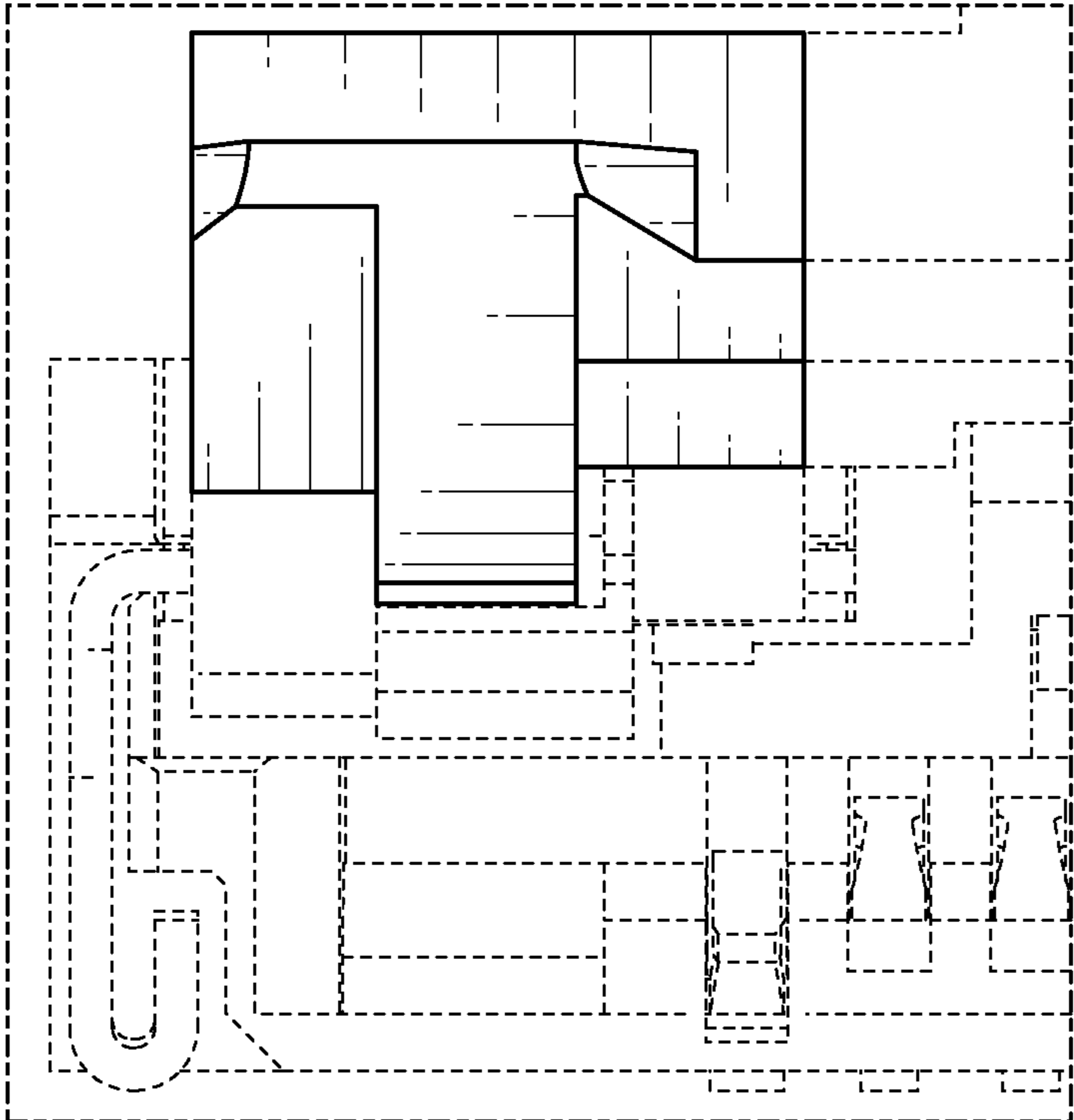


FIG. 7

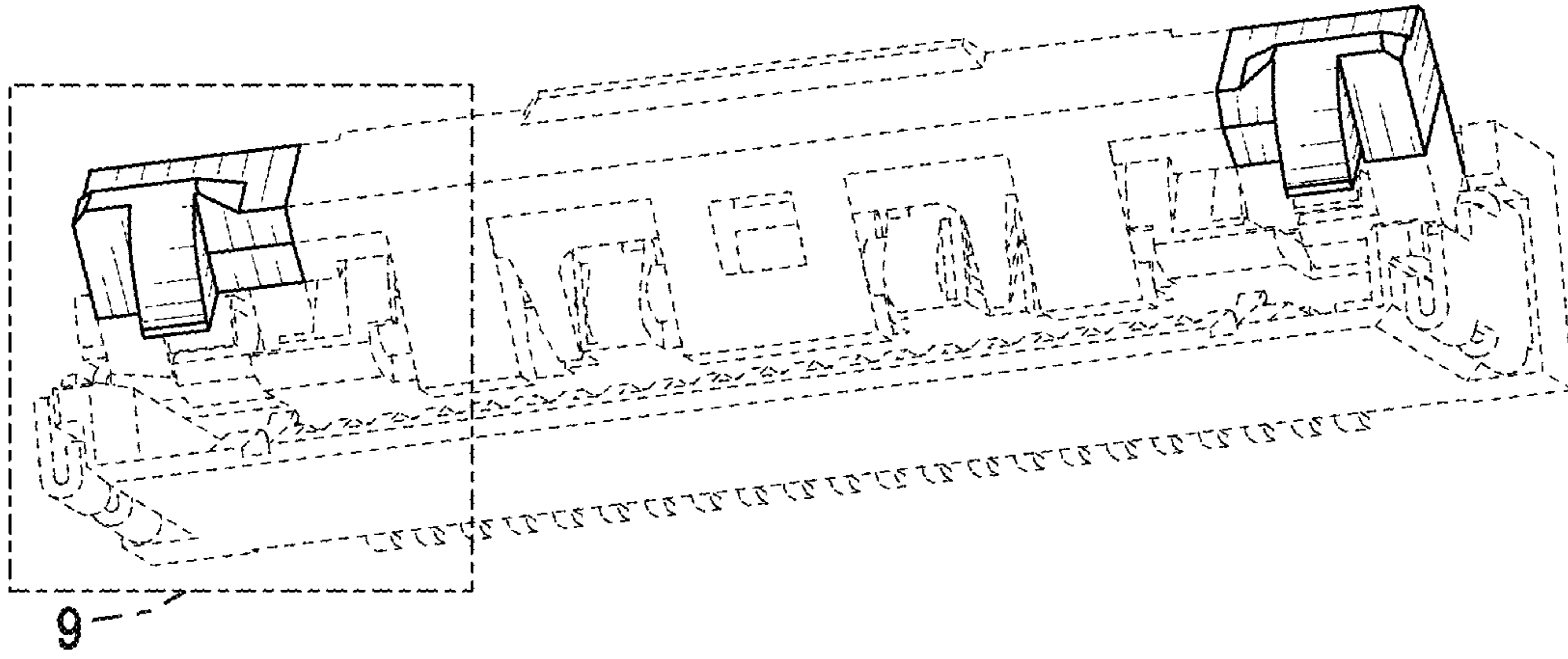


FIG. 8

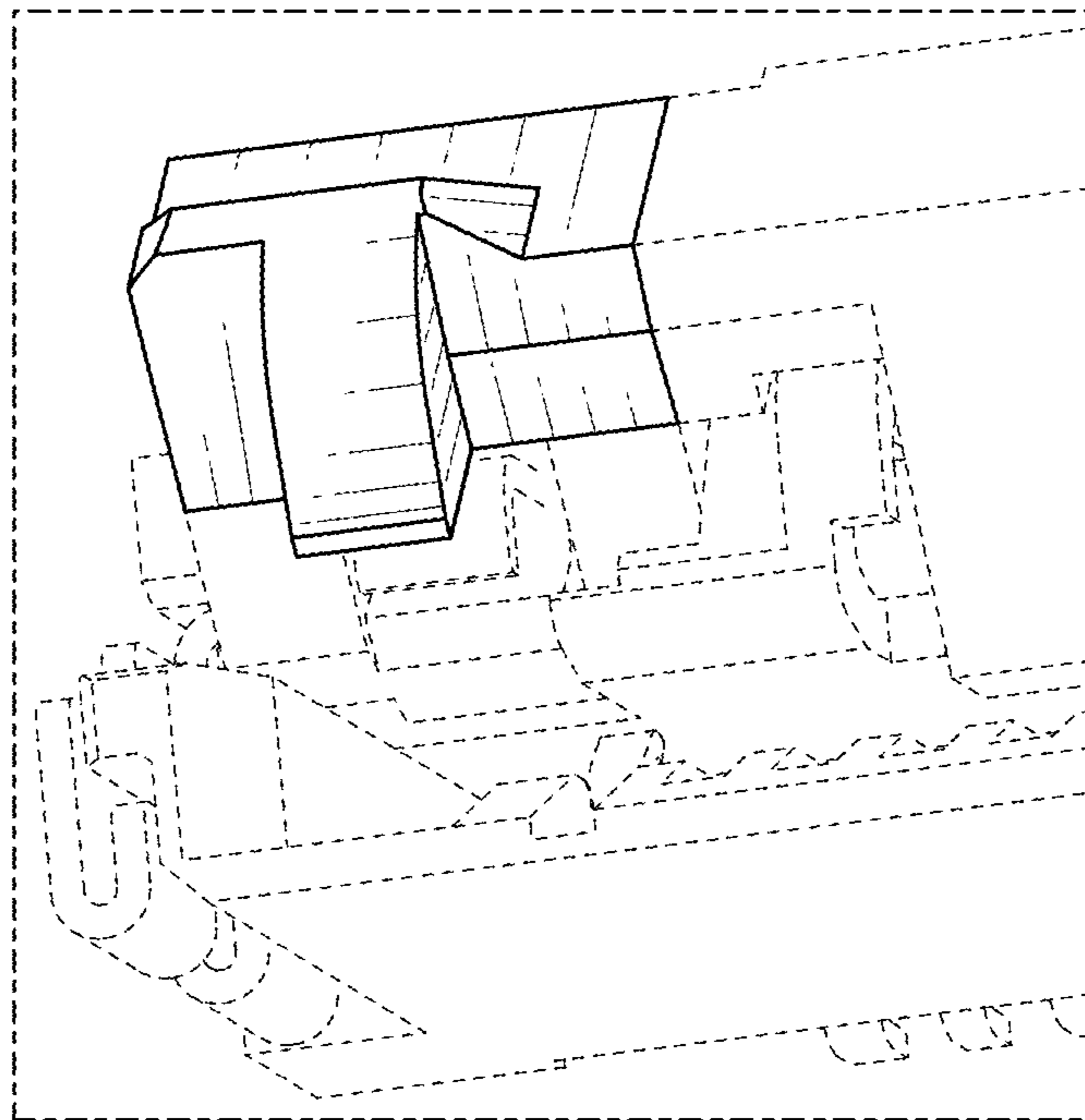


FIG. 9

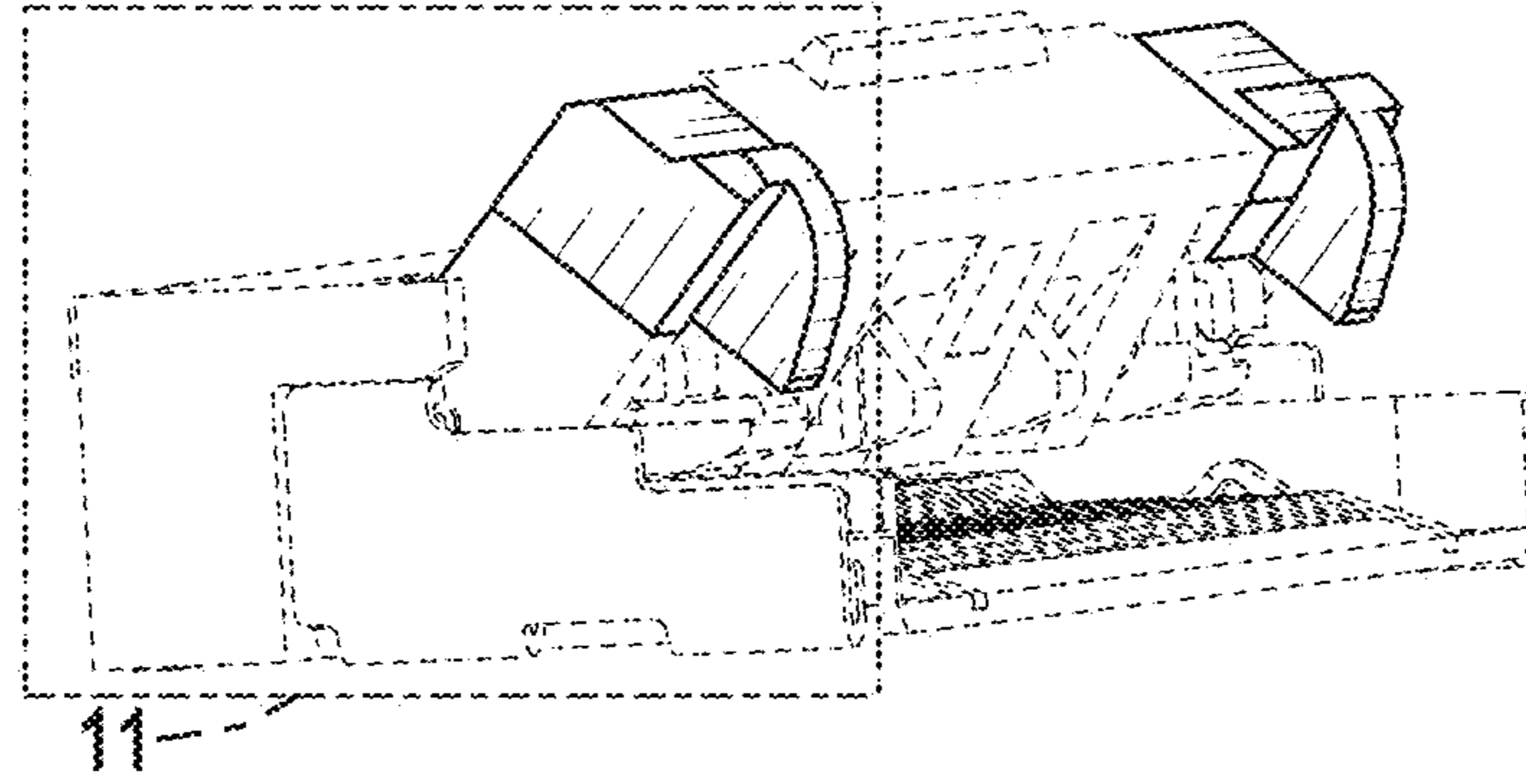


FIG. 10

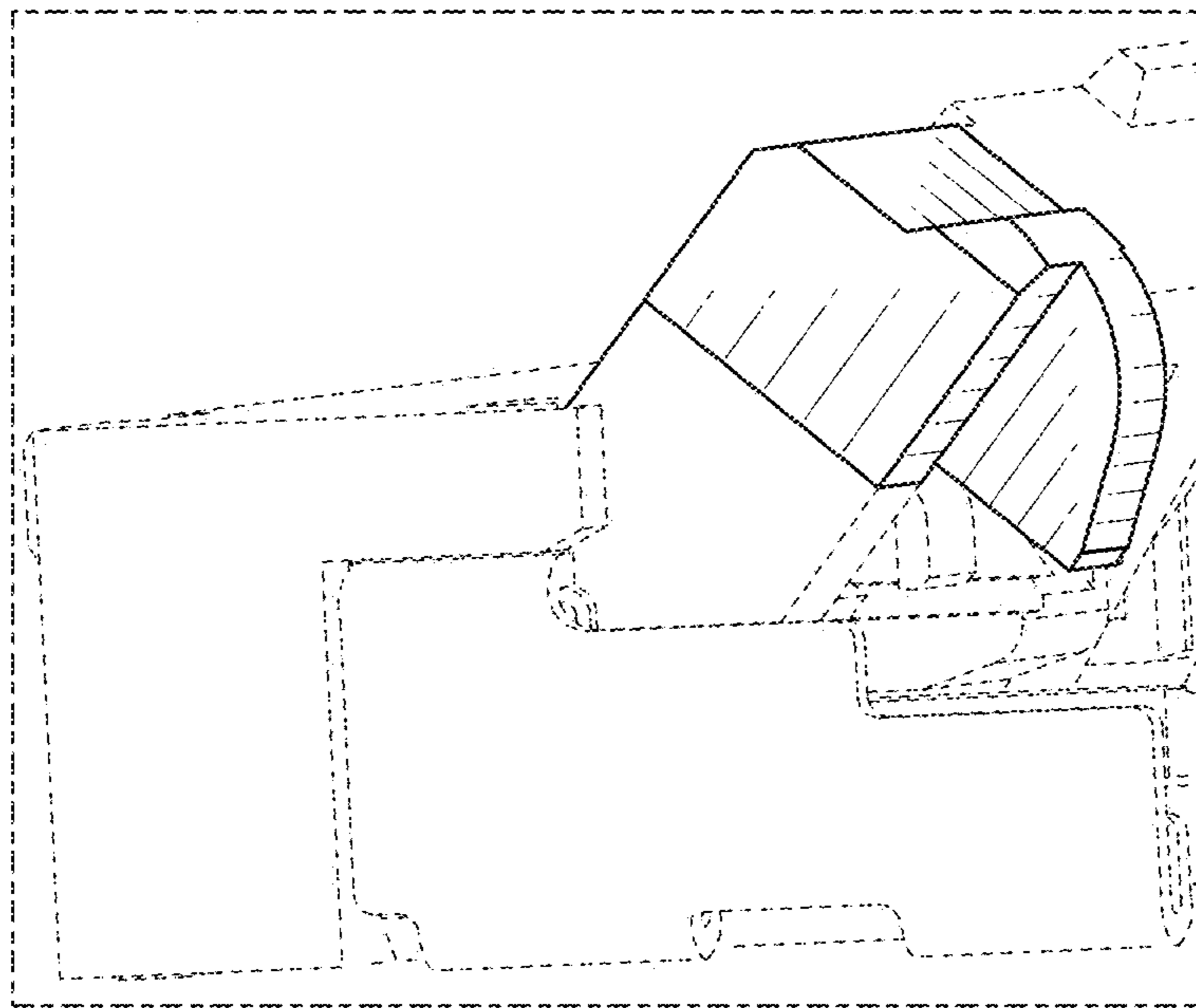


FIG. 11

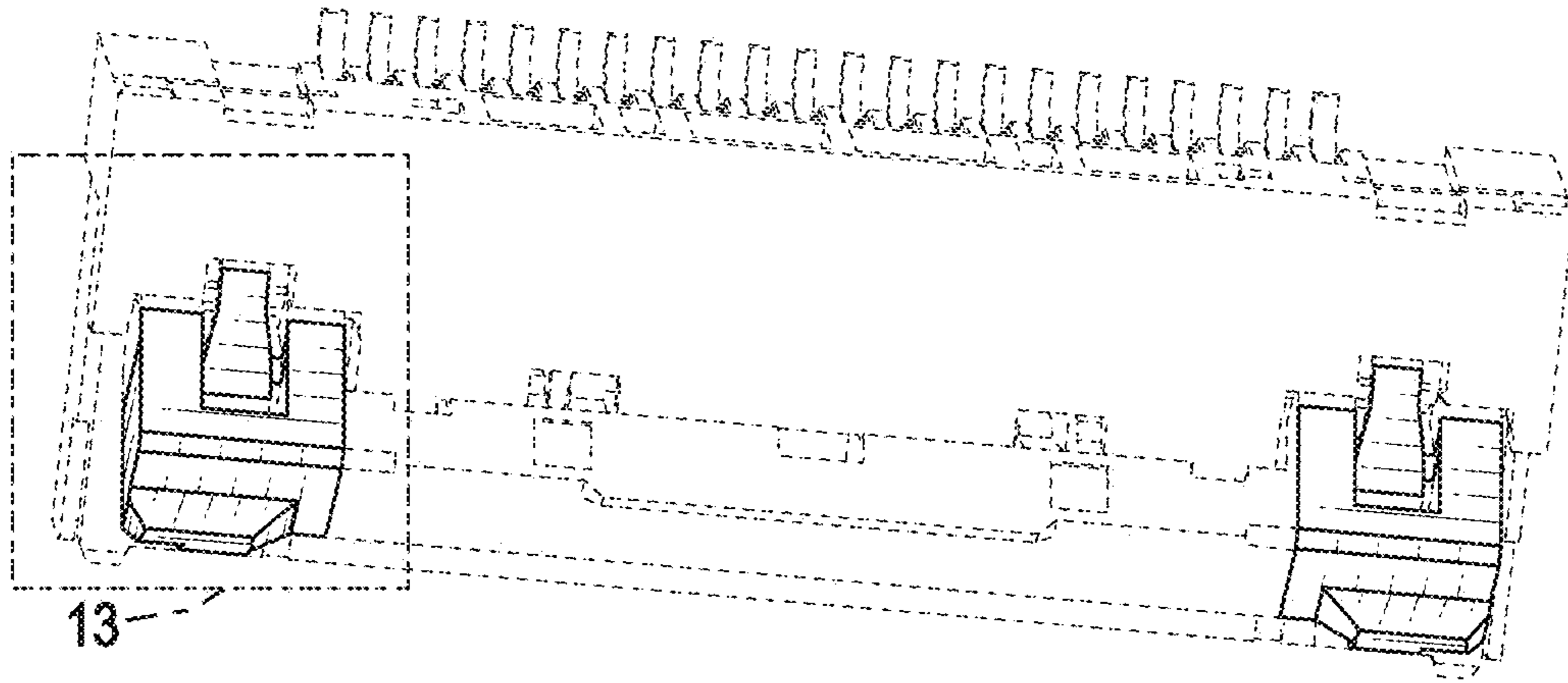


FIG. 12

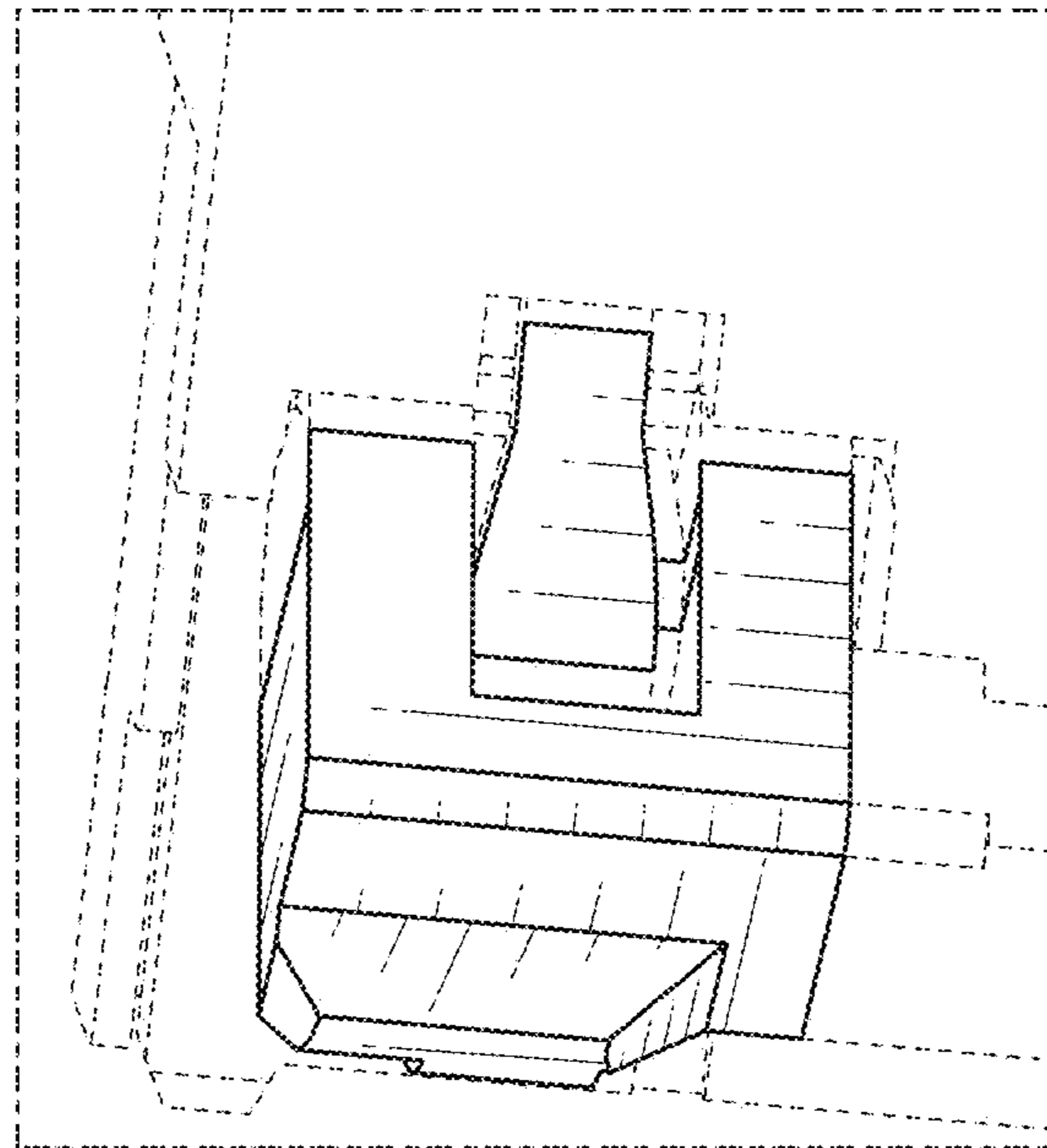


FIG. 13

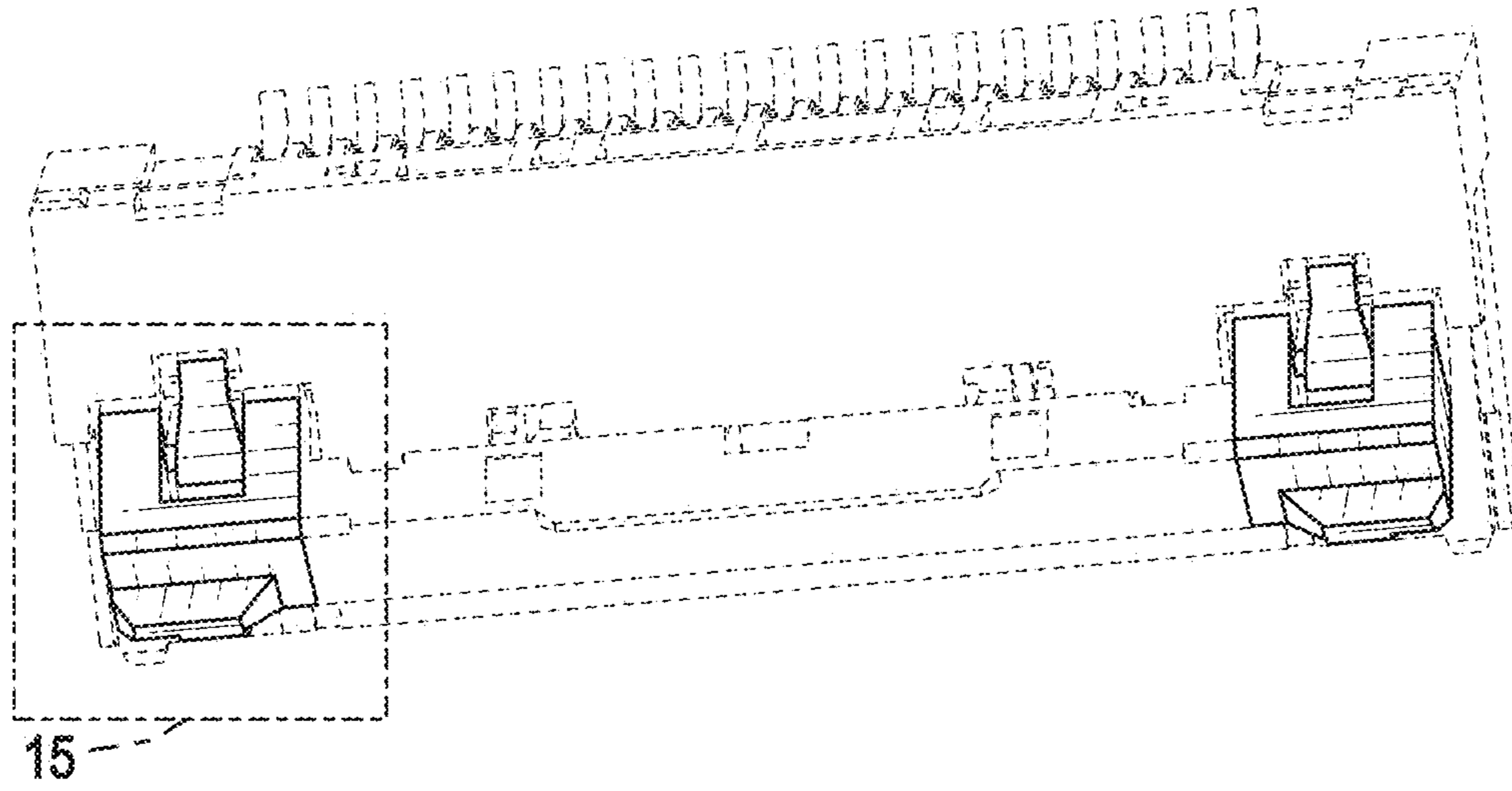


FIG. 14

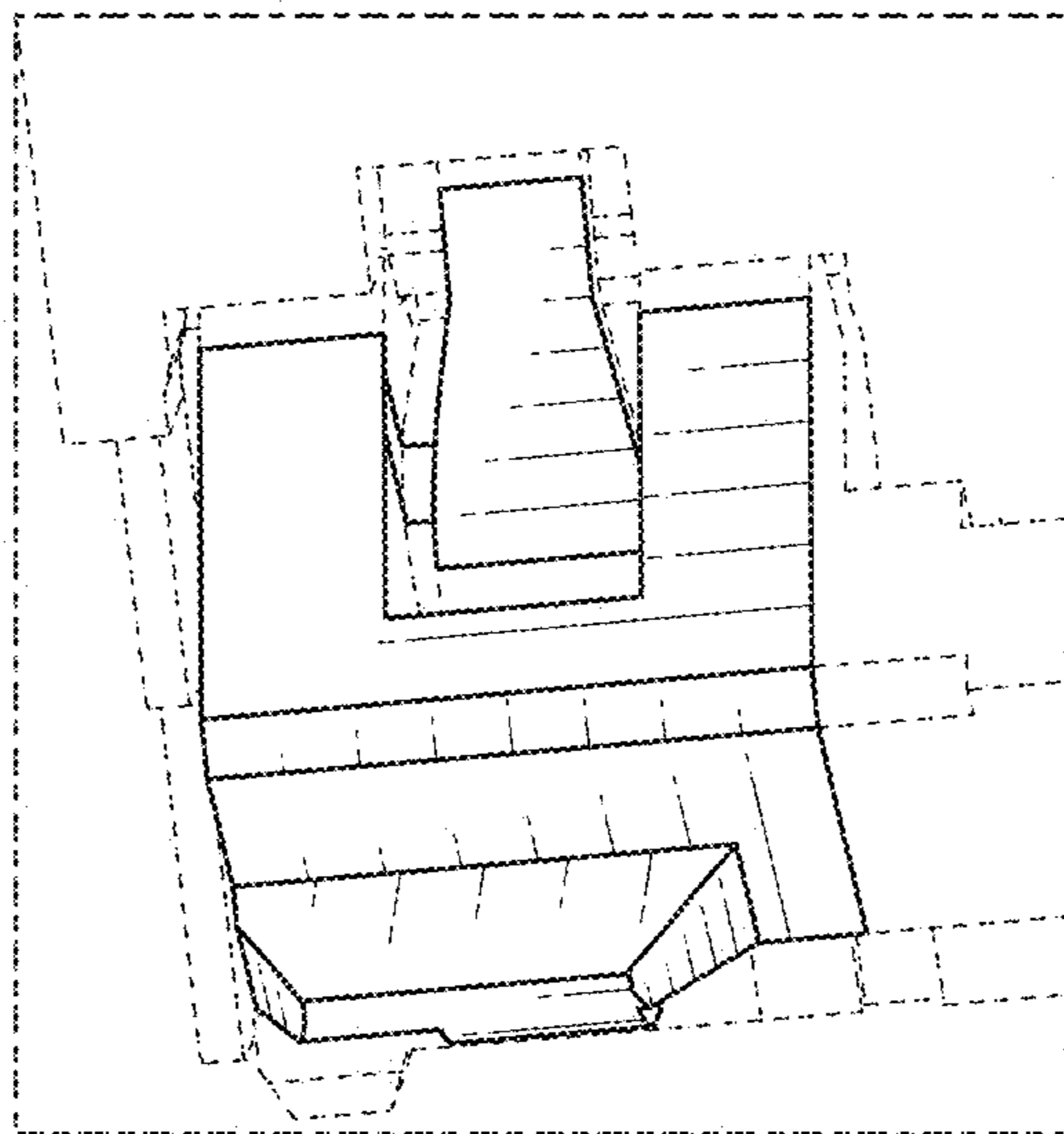


FIG. 15

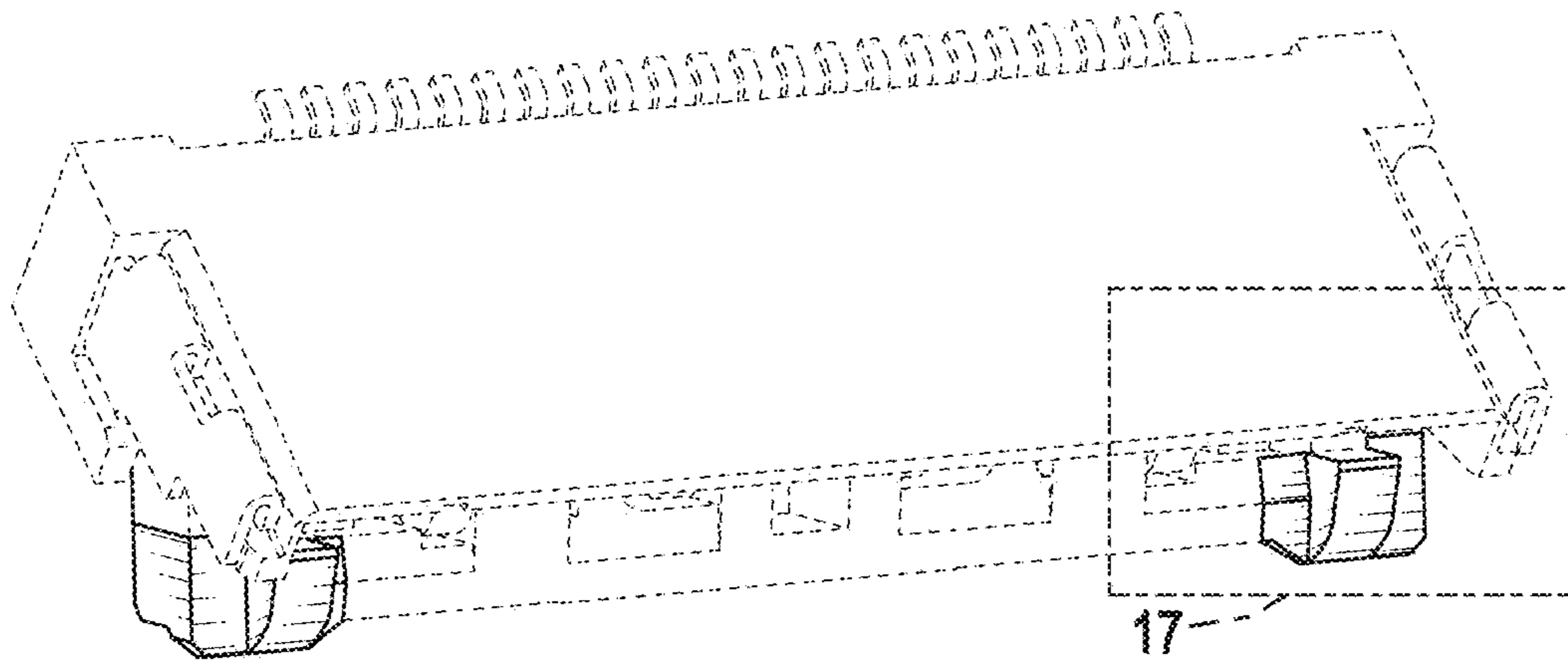


FIG. 16

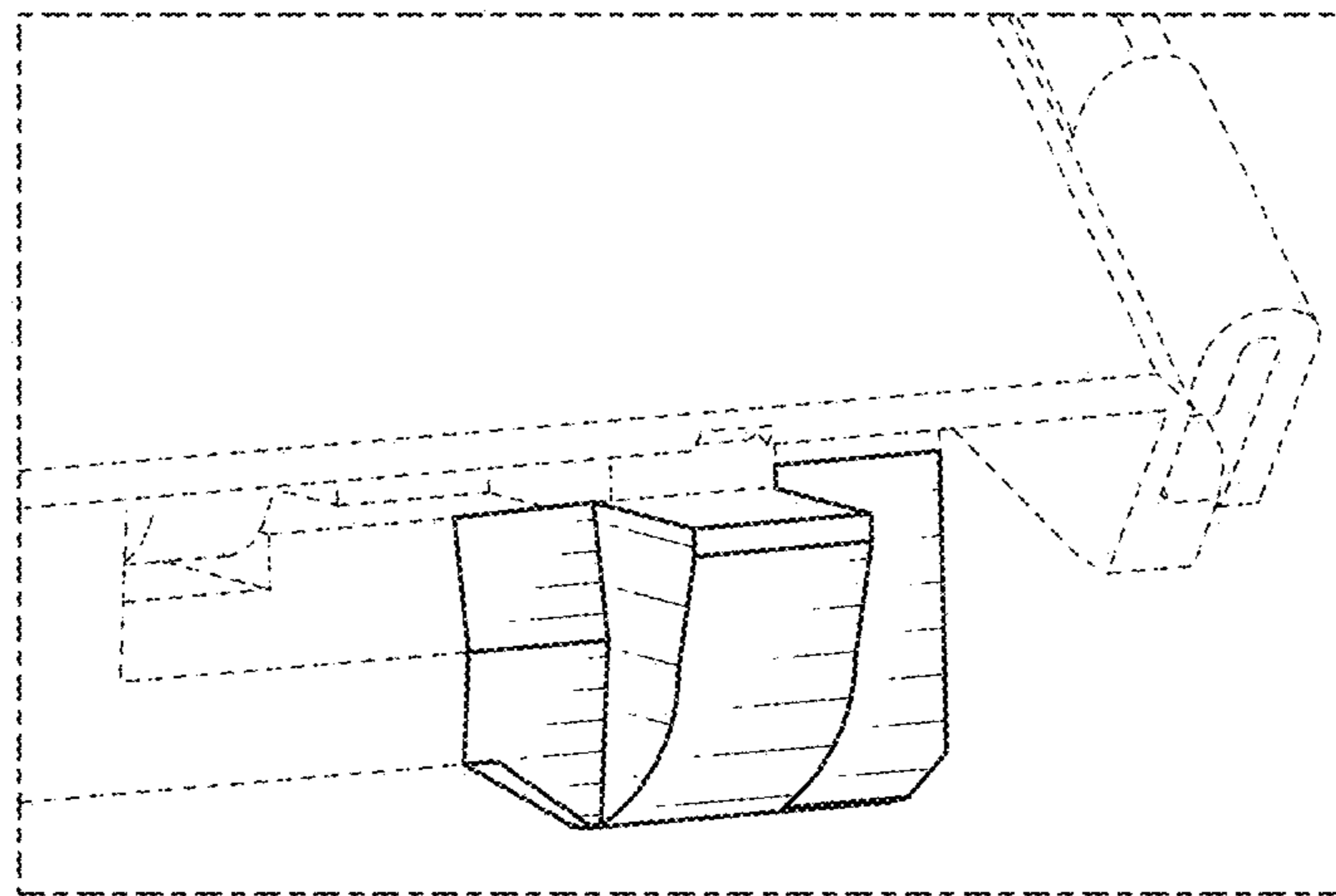


FIG. 17

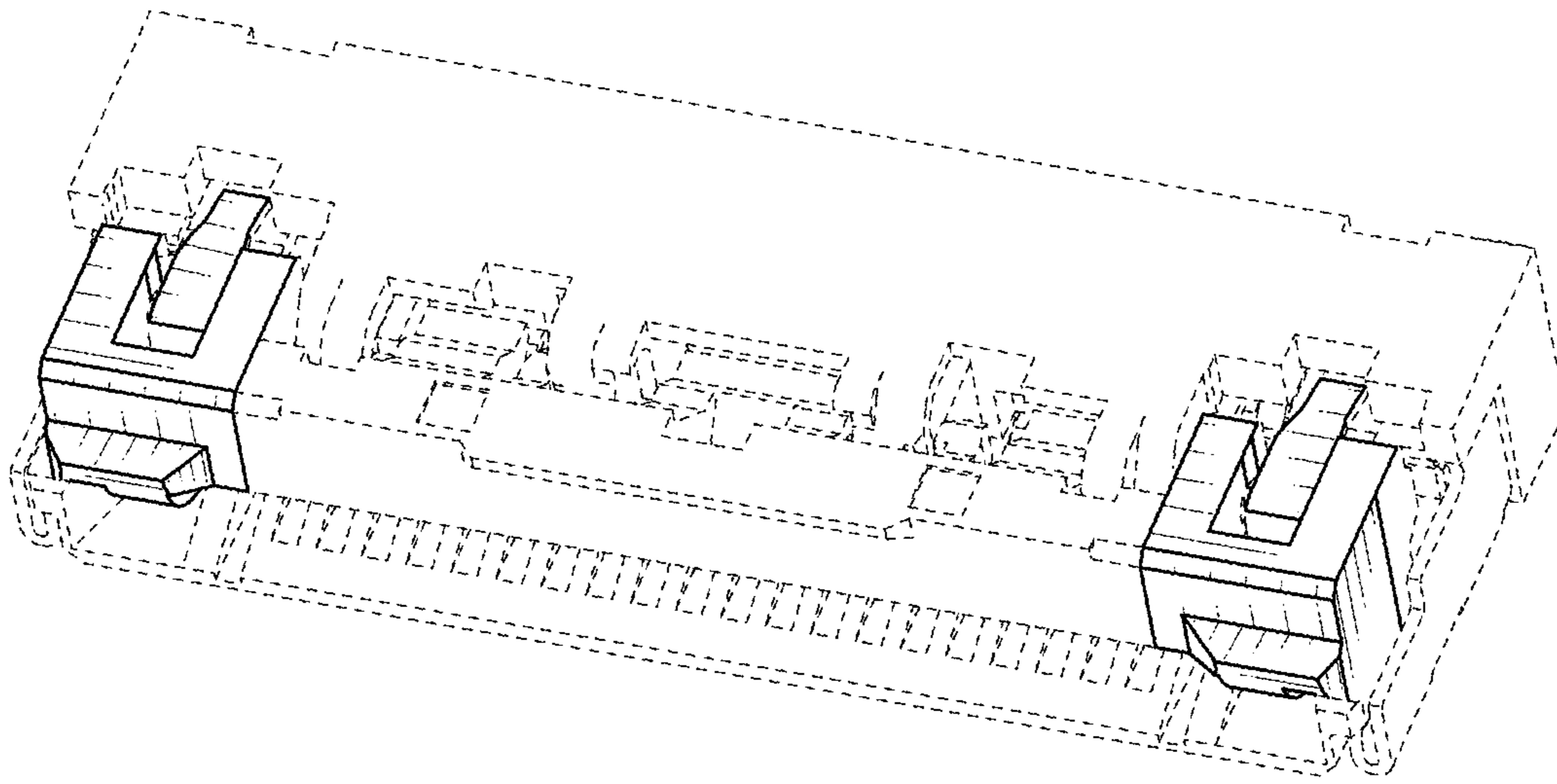


FIG. 18

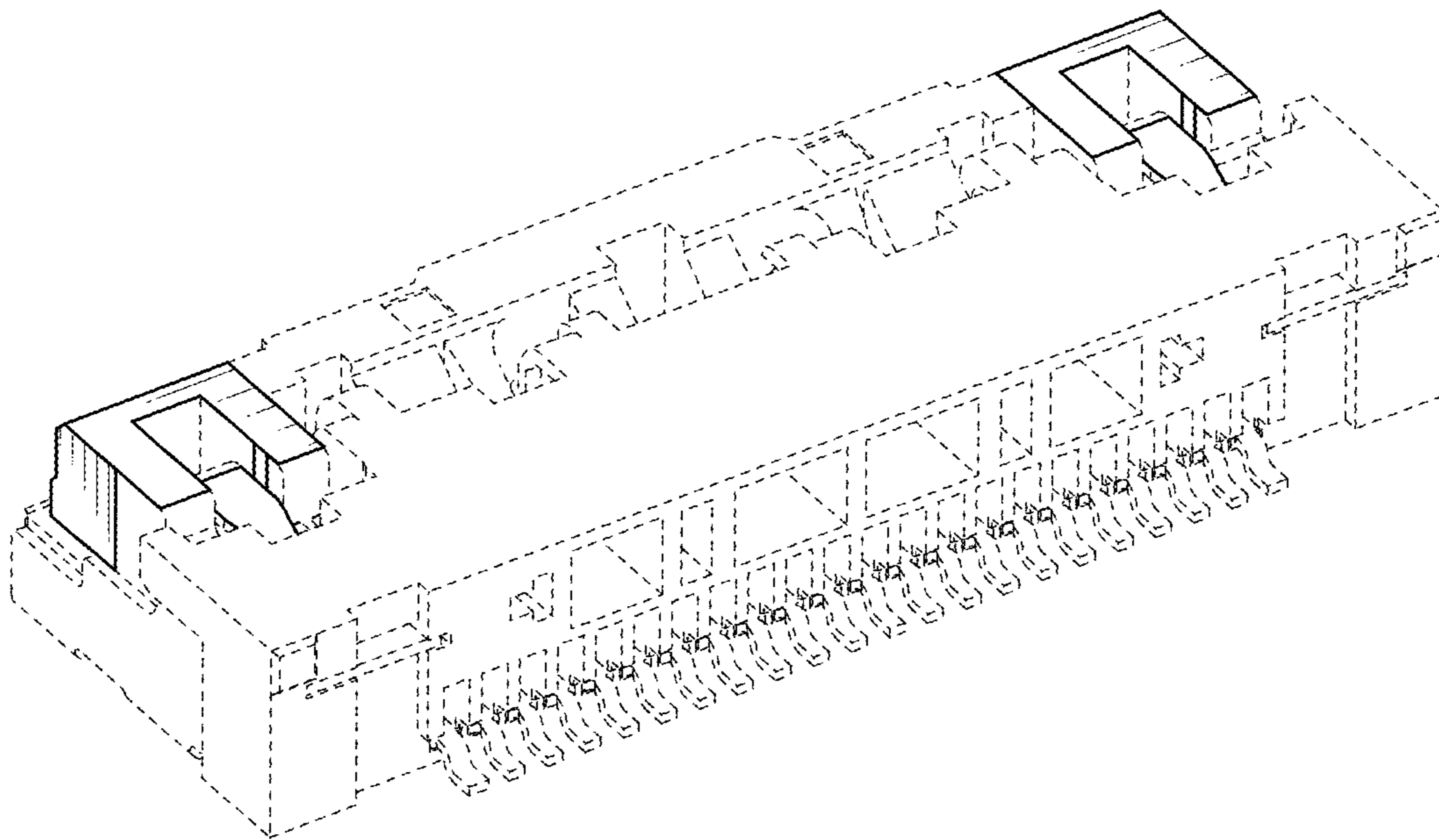


FIG. 19

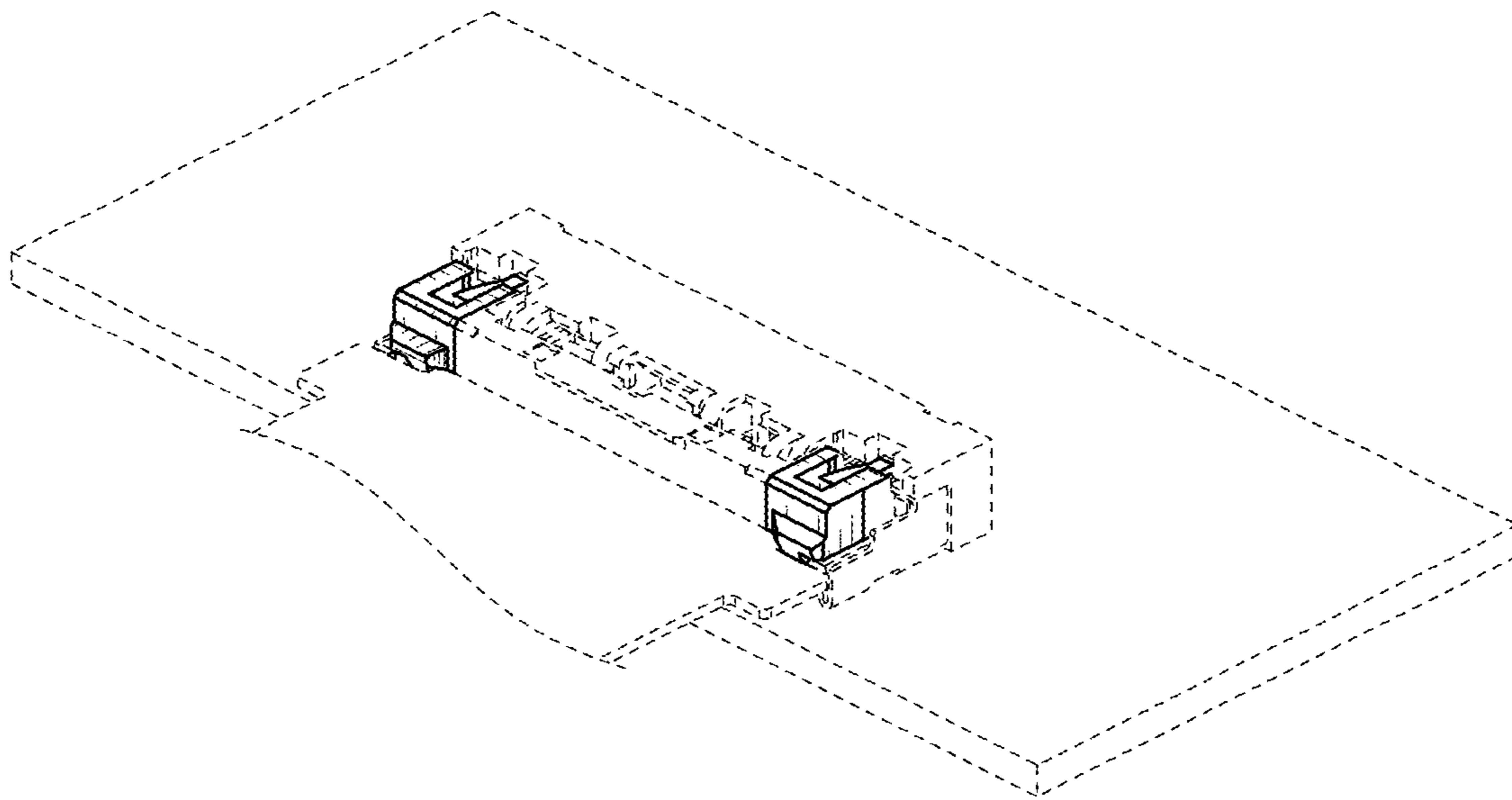


FIG. 20