



US00D906982S

(12) **United States Design Patent**  
**Gonzalez et al.**

(10) **Patent No.:** **US D906,982 S**

(45) **Date of Patent:** **\*\* Jan. 5, 2021**

(54) **CONNECTOR**

(71) Applicant: **Molex, LLC**, Lisle, IL (US)

(72) Inventors: **Michael Gonzalez**, Lisle, IL (US);  
**Joseph D. Comerci**, Lisle, IL (US);  
**Ishwarappa Ganamukhi**, Bangalore (IN); **KrishnaPrasad Darbal Somanath**, Bangalore (IN); **Manohara Ramakrishna Gowda**, Bangalore (IN)

(73) Assignee: **Molex, LLC**, Lisle, IL (US)

(\*\*) Term: **15 Years**

(21) Appl. No.: **29/681,950**

(22) Filed: **Feb. 28, 2019**

(51) **LOC (13) Cl.** ..... **13-03**

(52) **U.S. Cl.**  
USPC ..... **D13/147**

(58) **Field of Classification Search**  
USPC ..... D13/101, 112, 110, 118, 120, 123, 133,  
D13/146, 147, 149, 154, 156, 182, 184,  
D13/199; D14/356, 433, 435, 438  
CPC ..... H01R 24/00; H01R 12/00; H01R 12/70;  
H01R 13/62  
See application file for complete search history.

(56) **References Cited**

**U.S. PATENT DOCUMENTS**

D251,906 S *	5/1979	Frantz	.....	D13/147
D449,617 S *	10/2001	Herath	.....	D14/433
D503,150 S *	3/2005	Yamawaki	.....	D13/147
7,217,161 B1 *	5/2007	Tyler	.....	H01R 4/185 439/748
D612,807 S *	3/2010	Mancini	.....	D13/133
D675,163 S *	1/2013	Nagata	.....	D13/147
D680,499 S *	4/2013	Lan	.....	D13/147
D747,689 S	1/2016	Endo et al.		
D748,580 S	2/2016	Endo et al.		

(Continued)

**OTHER PUBLICATIONS**

“Molex Connector Housing”. Found online May 27, 2020 at amazon.com. Reference dated Nov. 18, 2013. Retrieved from [https://www.amazon.com/Molex-Waldom-52117-0341-Connector-Discrete/dp/B00GQQB84E/ref=sr\\_1\\_24](https://www.amazon.com/Molex-Waldom-52117-0341-Connector-Discrete/dp/B00GQQB84E/ref=sr_1_24). (Year: 2013).\*

(Continued)

*Primary Examiner* — Kendra Leslie Hamilton

*Assistant Examiner* — Amanda Christensen

(74) *Attorney, Agent, or Firm* — Banner & Witcoff, Ltd.

(57) **CLAIM**

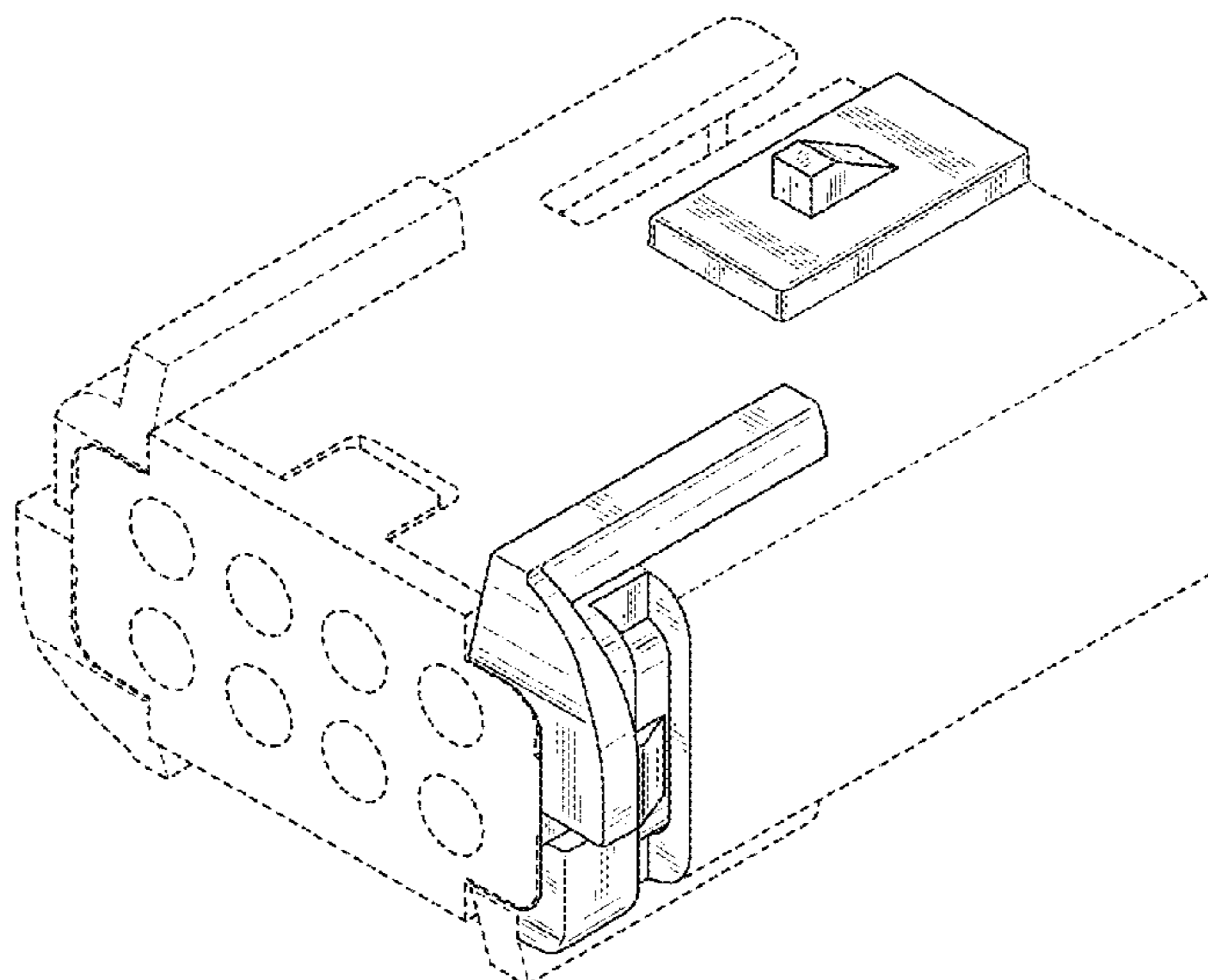
The ornamental design for a connector, as shown and described.

**DESCRIPTION**

FIG. 1 is a front perspective view of a first embodiment of a connector, showing our new design;  
FIG. 2 is a rear perspective view thereof;  
FIG. 3 is a top plan view thereof;  
FIG. 4 is a bottom plan view thereof;  
FIG. 5 is a right side elevation view thereof;  
FIG. 6 is a left side elevation view thereof;  
FIG. 7 is a front elevation view thereof;  
FIG. 8 is a rear elevation view thereof;  
FIG. 9 is a front perspective view of a second embodiment of a connector;  
FIG. 10 is a rear perspective view thereof;  
FIG. 11 is a top plan view thereof;  
FIG. 12 is a bottom plan view thereof;  
FIG. 13 is a right side elevation view thereof;  
FIG. 14 is a left side elevation view thereof;  
FIG. 15 is a front elevation view thereof; and,  
FIG. 16 is a rear elevation view thereof.

The broken lines immediately adjacent to the shaded areas depict the bounds of the claimed design and form no part thereof; all other broken lines depict portions of the connector that form no part of the claimed design.

**1 Claim, 16 Drawing Sheets**



(56)

**References Cited**

## U.S. PATENT DOCUMENTS

9,620,879 B2 4/2017 Li  
D791,705 S 7/2017 Li et al.  
9,847,597 B2 12/2017 Uttarkar et al.  
D810,689 S 2/2018 Takano  
D822,607 S 7/2018 Chadbourne  
D831,574 S \* 10/2018 Ramanna ..... D13/146  
D831,576 S \* 10/2018 Davidson ..... D13/147  
10,468,804 B2 11/2019 Kawamura et al.  
D876,366 S \* 2/2020 Holub ..... D13/147  
2017/0062983 A1 \* 3/2017 Holub ..... H01R 13/6271  
2018/0301827 A1 \* 10/2018 Takeuchi ..... H01R 13/5205  
2019/0199034 A1 \* 6/2019 Azad ..... H01R 43/26

## OTHER PUBLICATIONS

“MUYI Electrical Connector”. Found online Jun. 1, 2020 at amazon.com. Reference dated Mar. 15, 2017. Retrieved from [https://www.amazon.com/MUYI-Waterproof-Electrical-Connector-Terminals/dp/B01FP1HXIU/ref=sr\\_1\\_1?th=1](https://www.amazon.com/MUYI-Waterproof-Electrical-Connector-Terminals/dp/B01FP1HXIU/ref=sr_1_1?th=1). (Year: 2017).\*

“YETOR Way Electrical Connector”. Found online Jun. 1, 2020 at amazon.com. Reference dated May 21, 2016. Retrieved from [https://www.amazon.com/YETOR-Waterproof-Electrical-Connectors-Connections/dp/B07QDS5DKR/ref=sr\\_1\\_1](https://www.amazon.com/YETOR-Waterproof-Electrical-Connectors-Connections/dp/B07QDS5DKR/ref=sr_1_1). (Year: 2016).\*

Electrical Connector, May 21, 2016, [online], [site visited Apr. 7, 2020], Available from Internet URL: [https://www.amazon.com/dp/B07QFW8X9Z/ref-psdc\\_15729341\\_t5\\_B01A6LTK44](https://www.amazon.com/dp/B07QFW8X9Z/ref-psdc_15729341_t5_B01A6LTK44) (Year: 2016).

\* cited by examiner

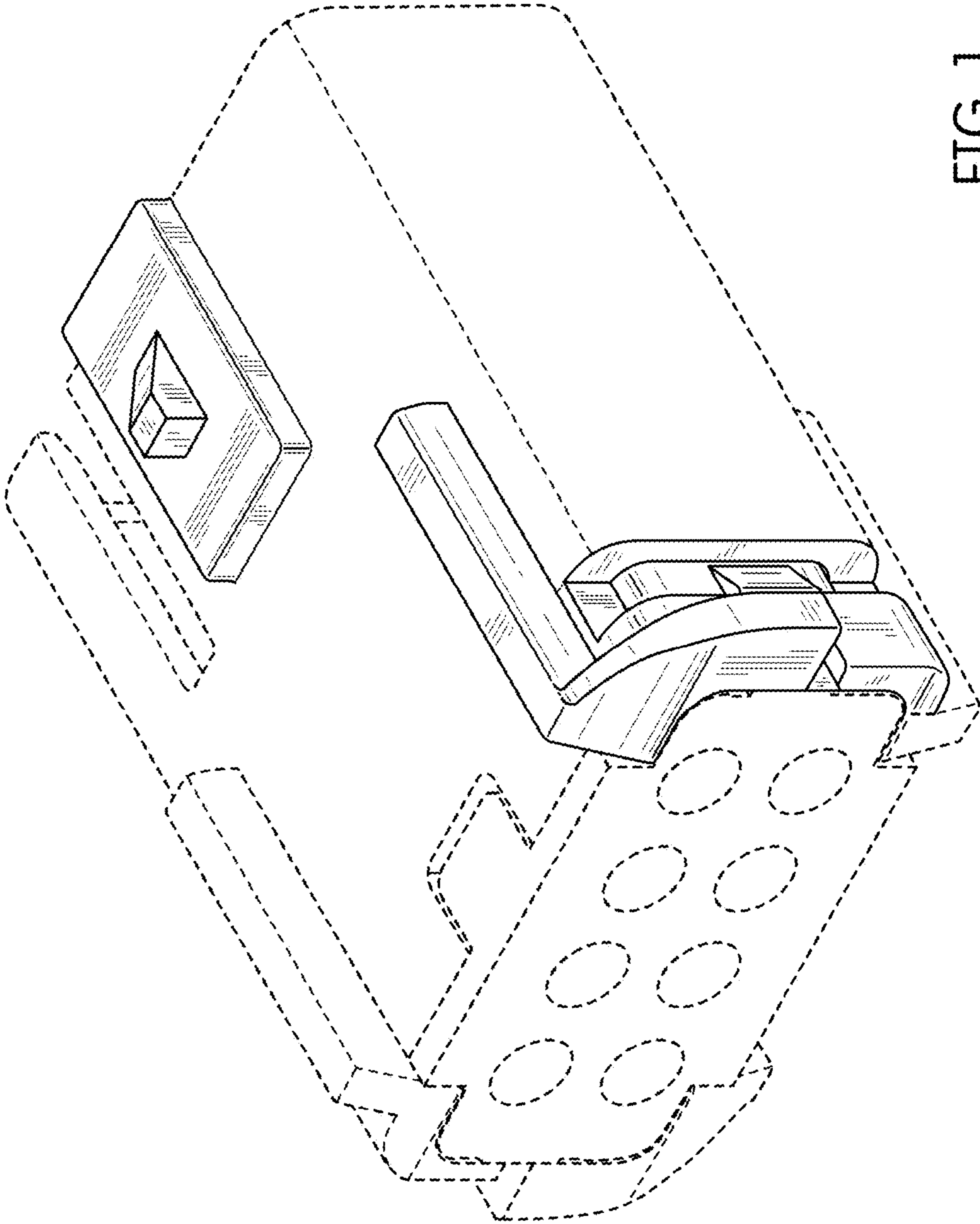


FIG. 1

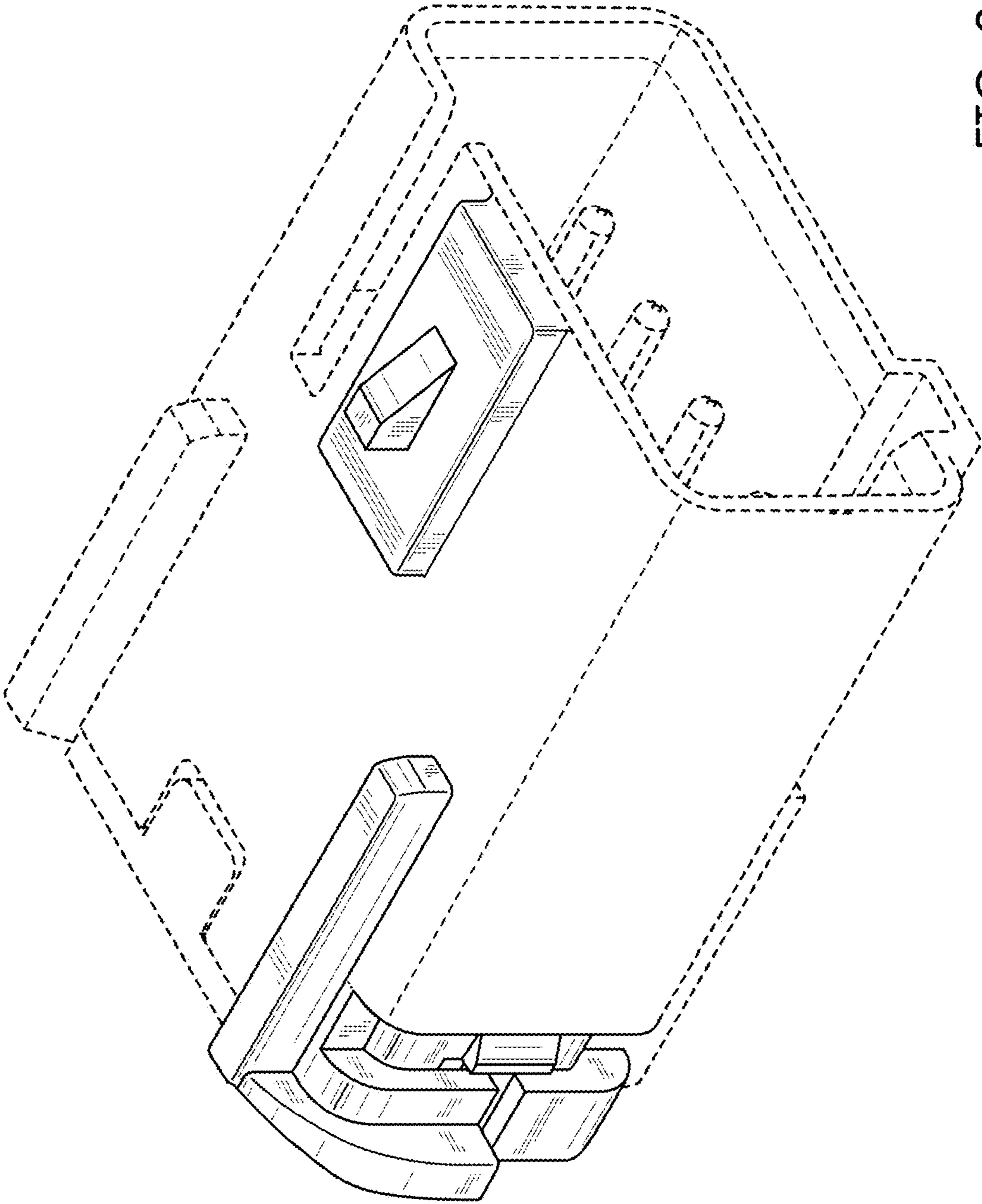


FIG. 2

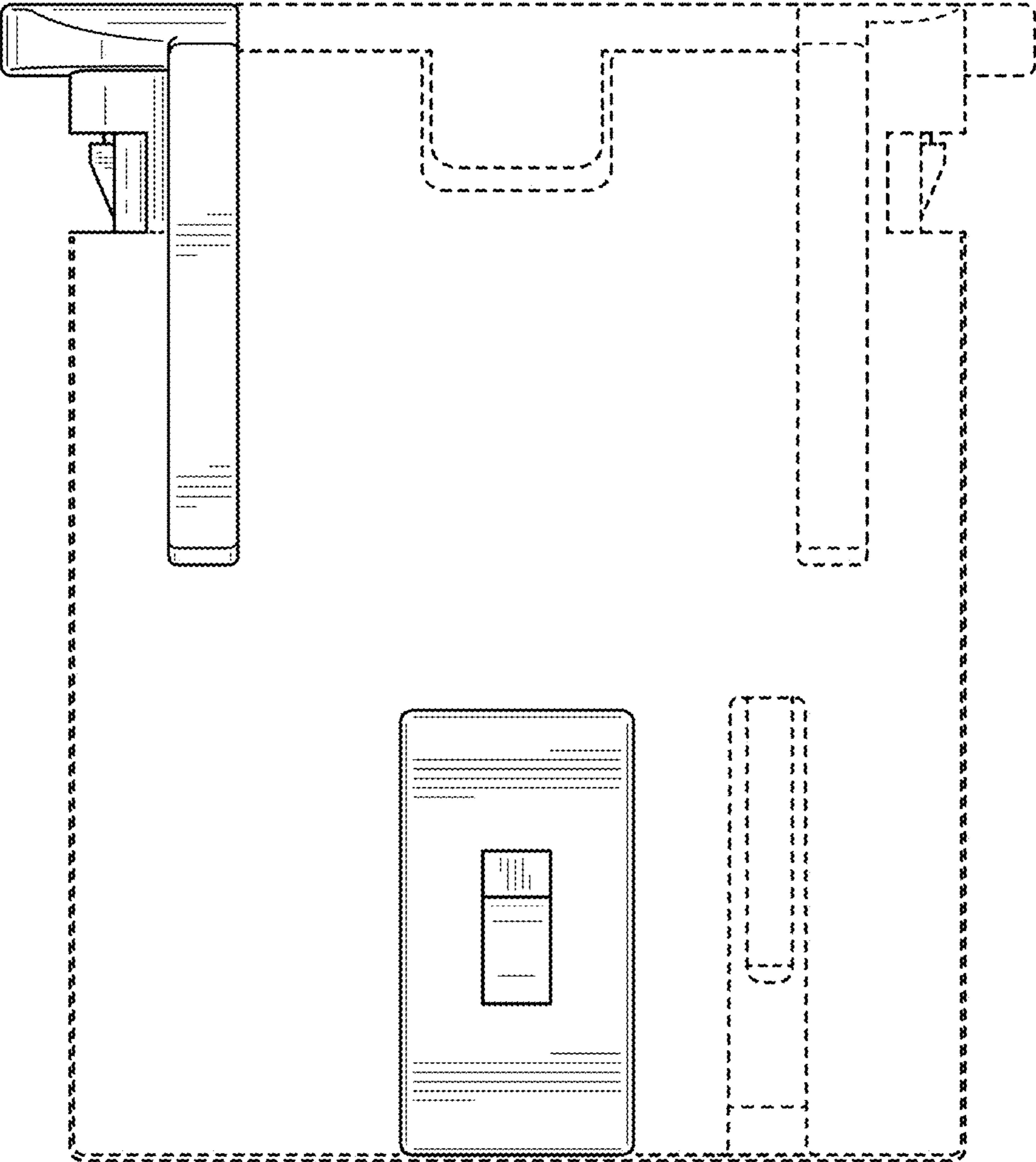


FIG. 3

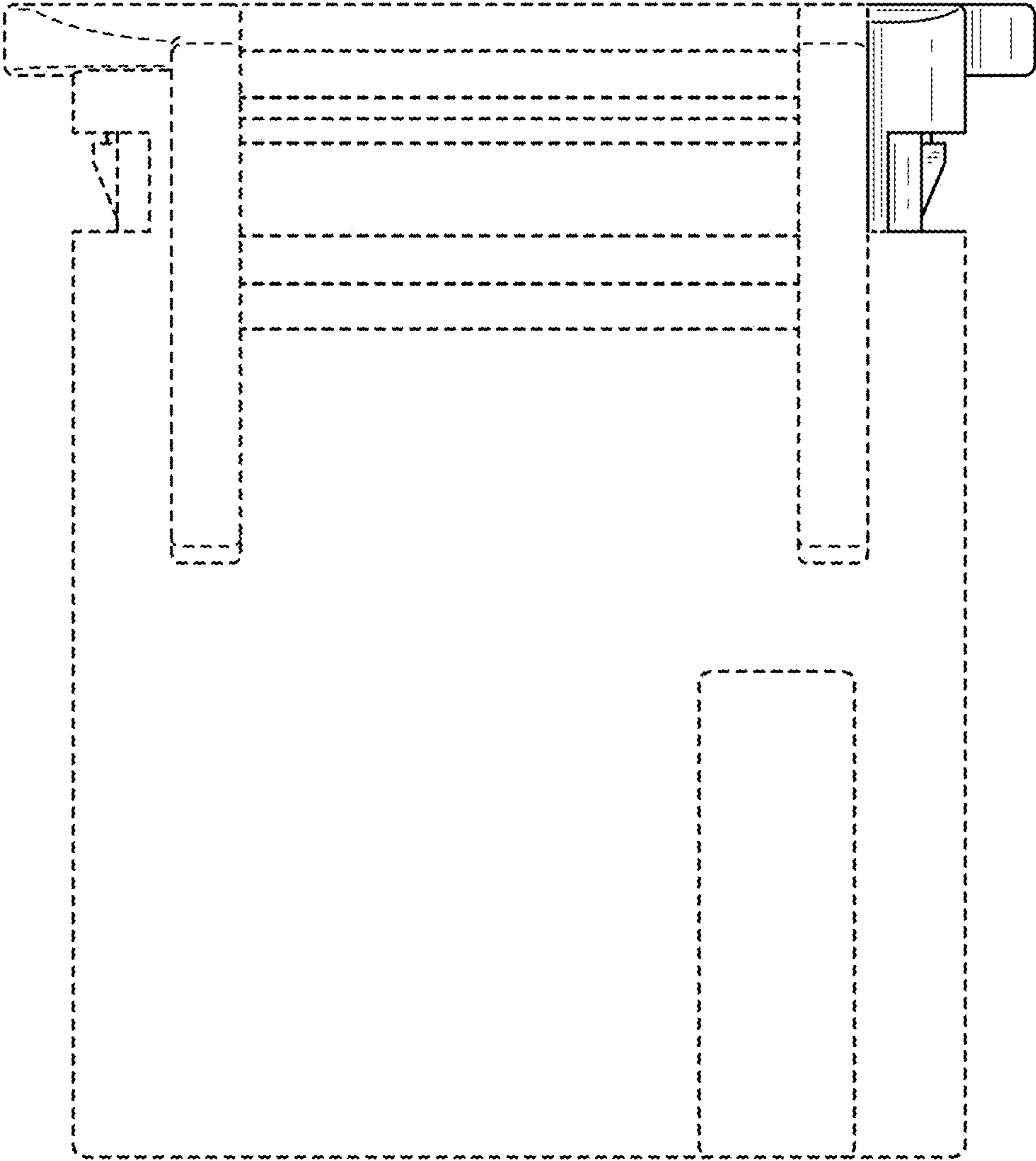


FIG. 4

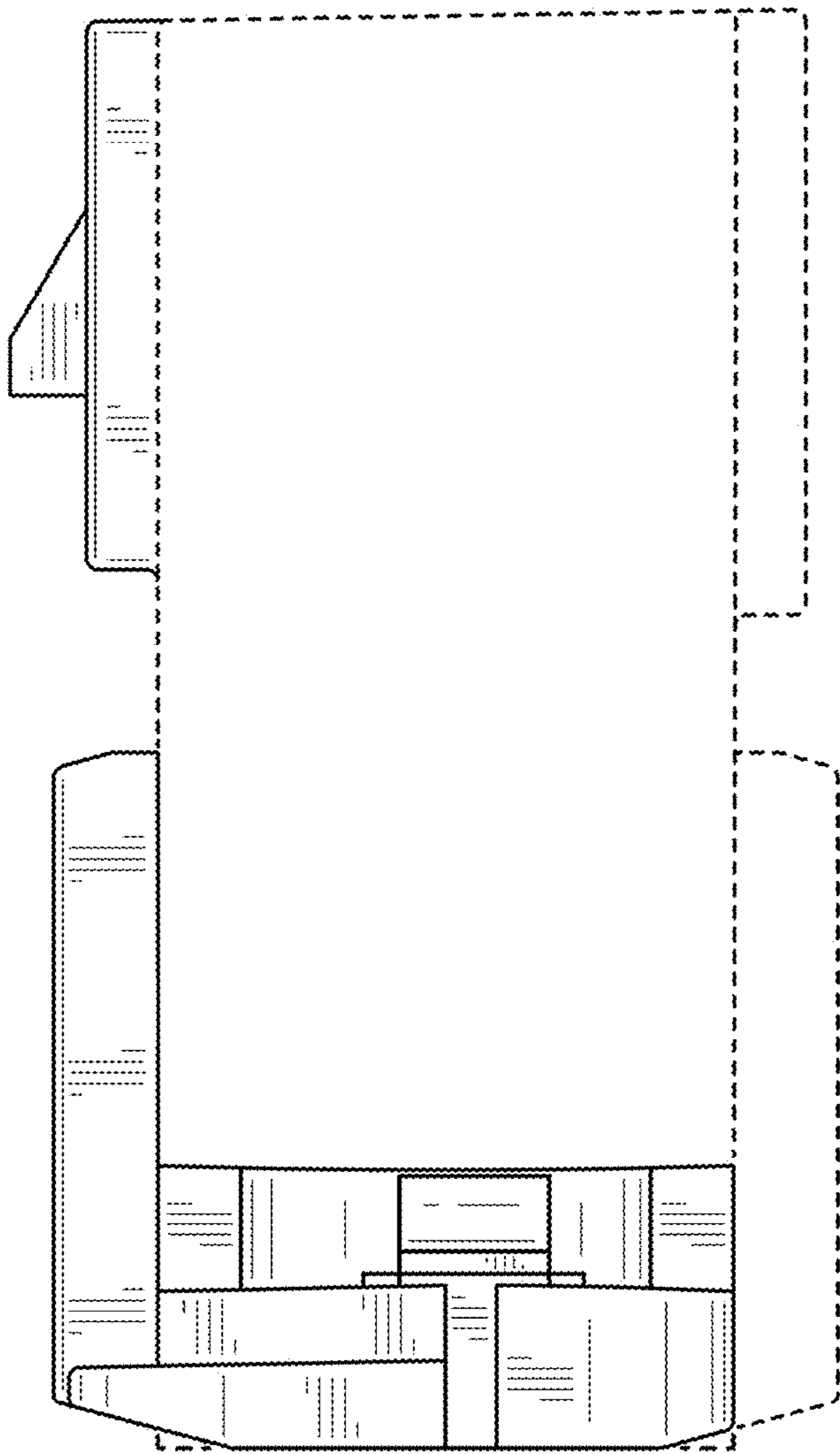


FIG. 5

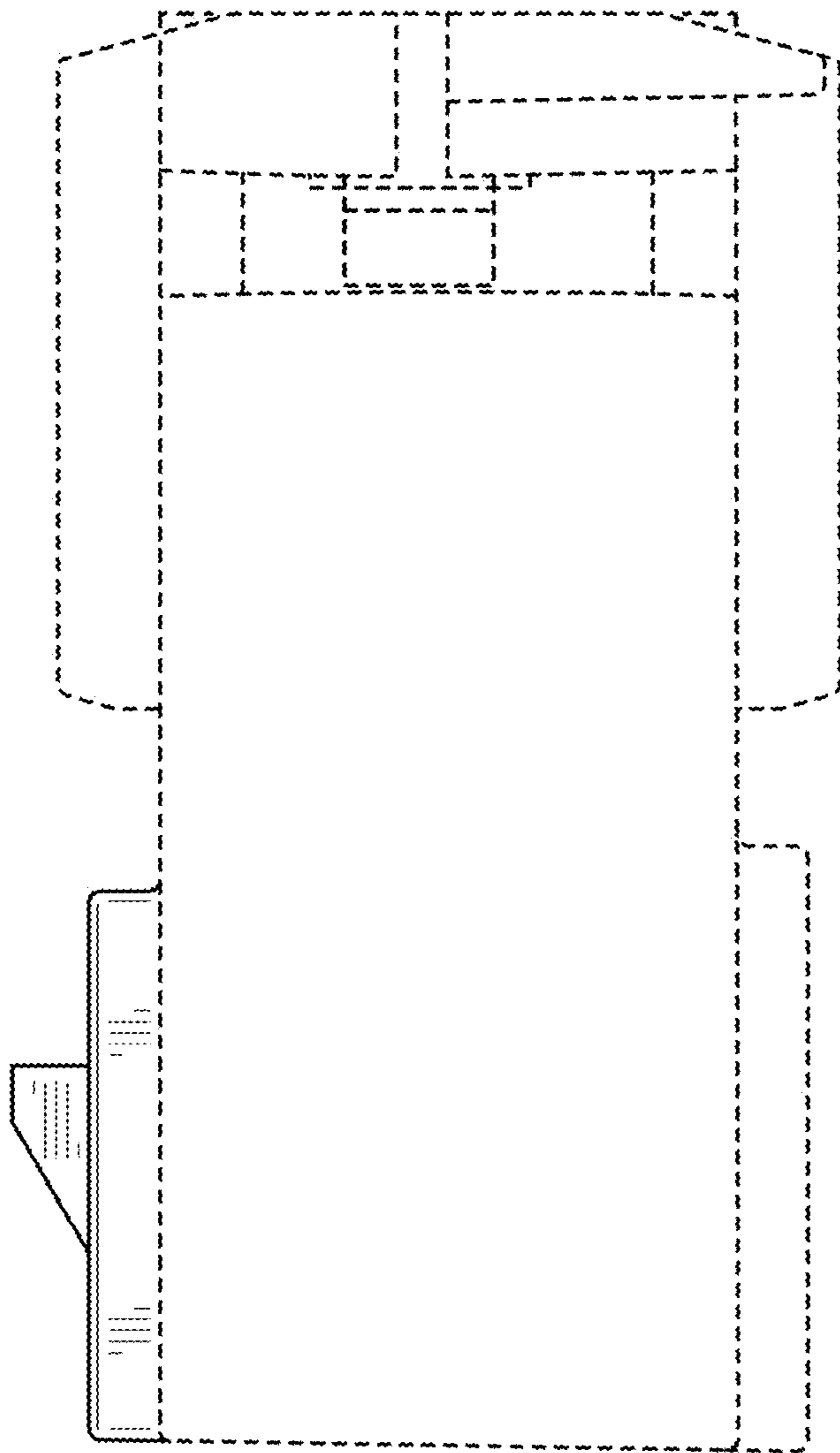


FIG. 6



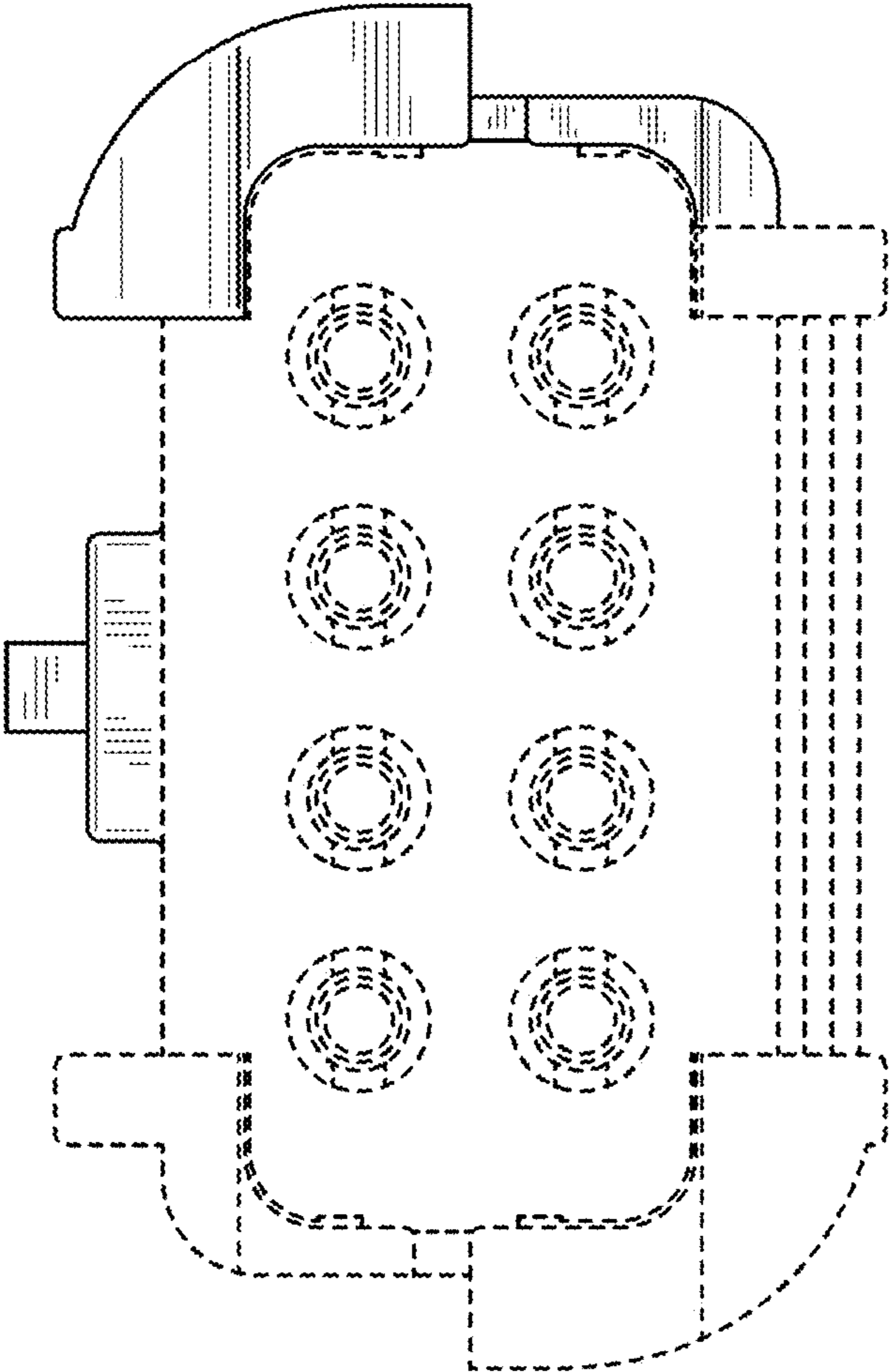


FIG. 7

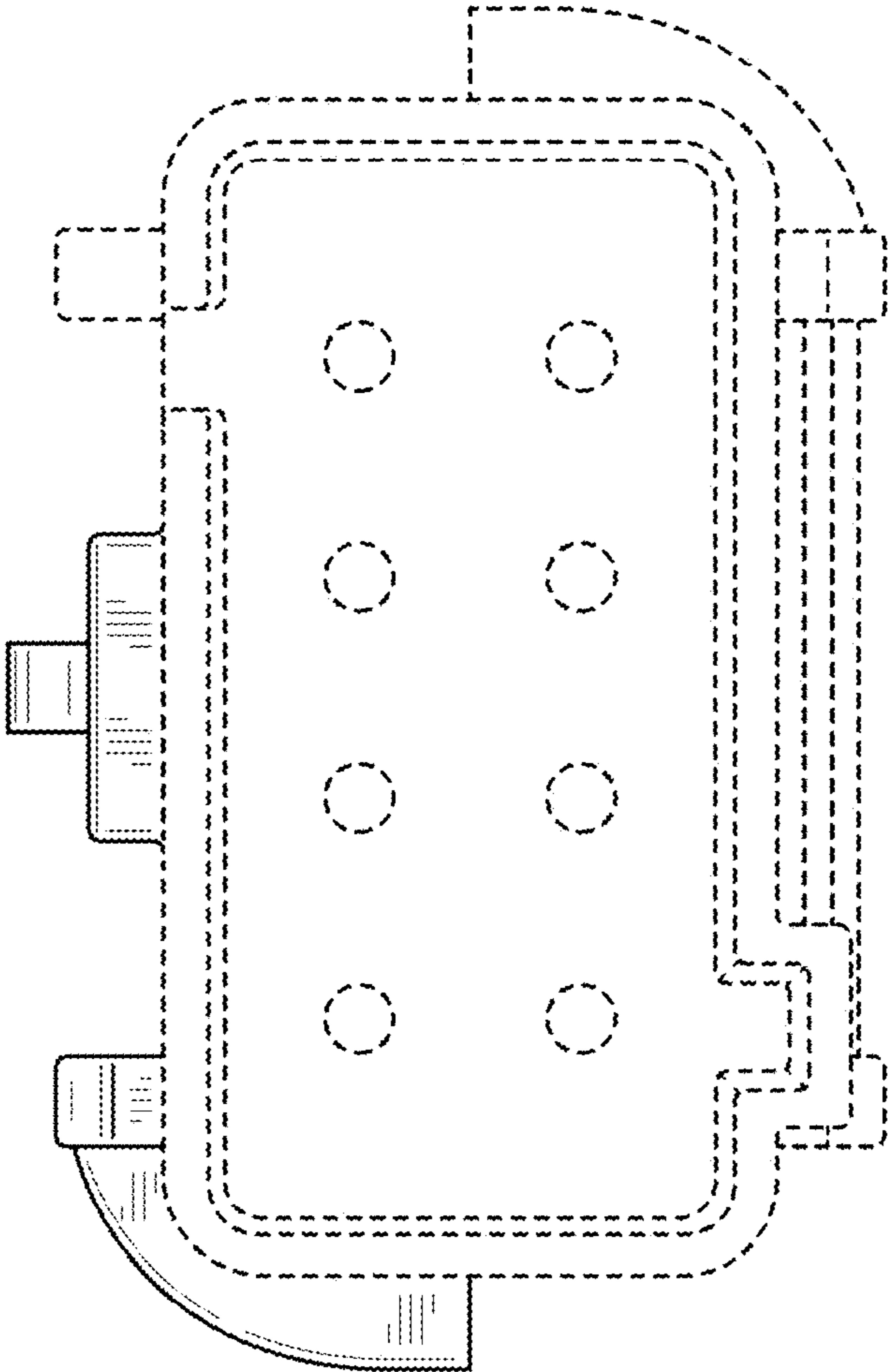


FIG. 8

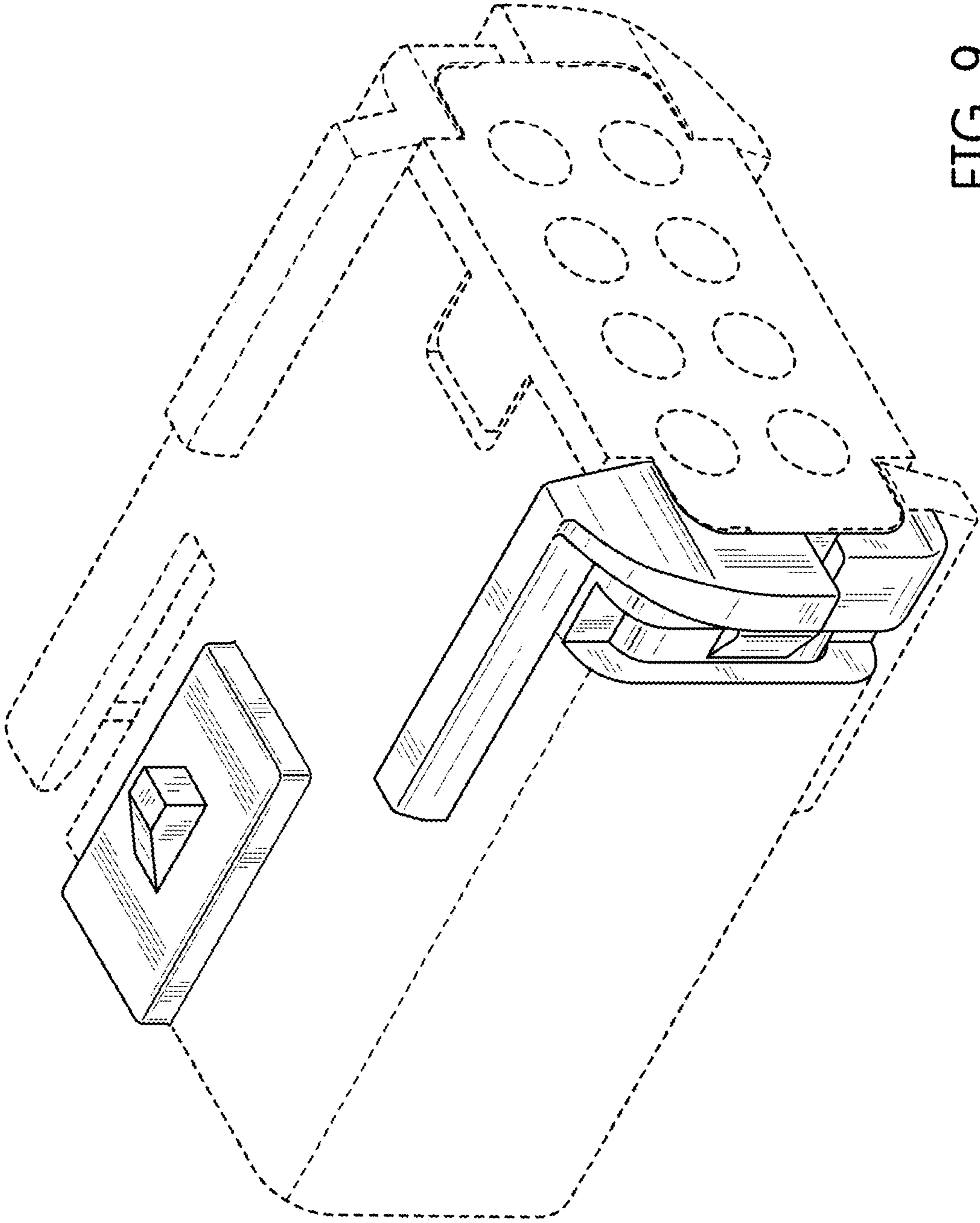


FIG. 9

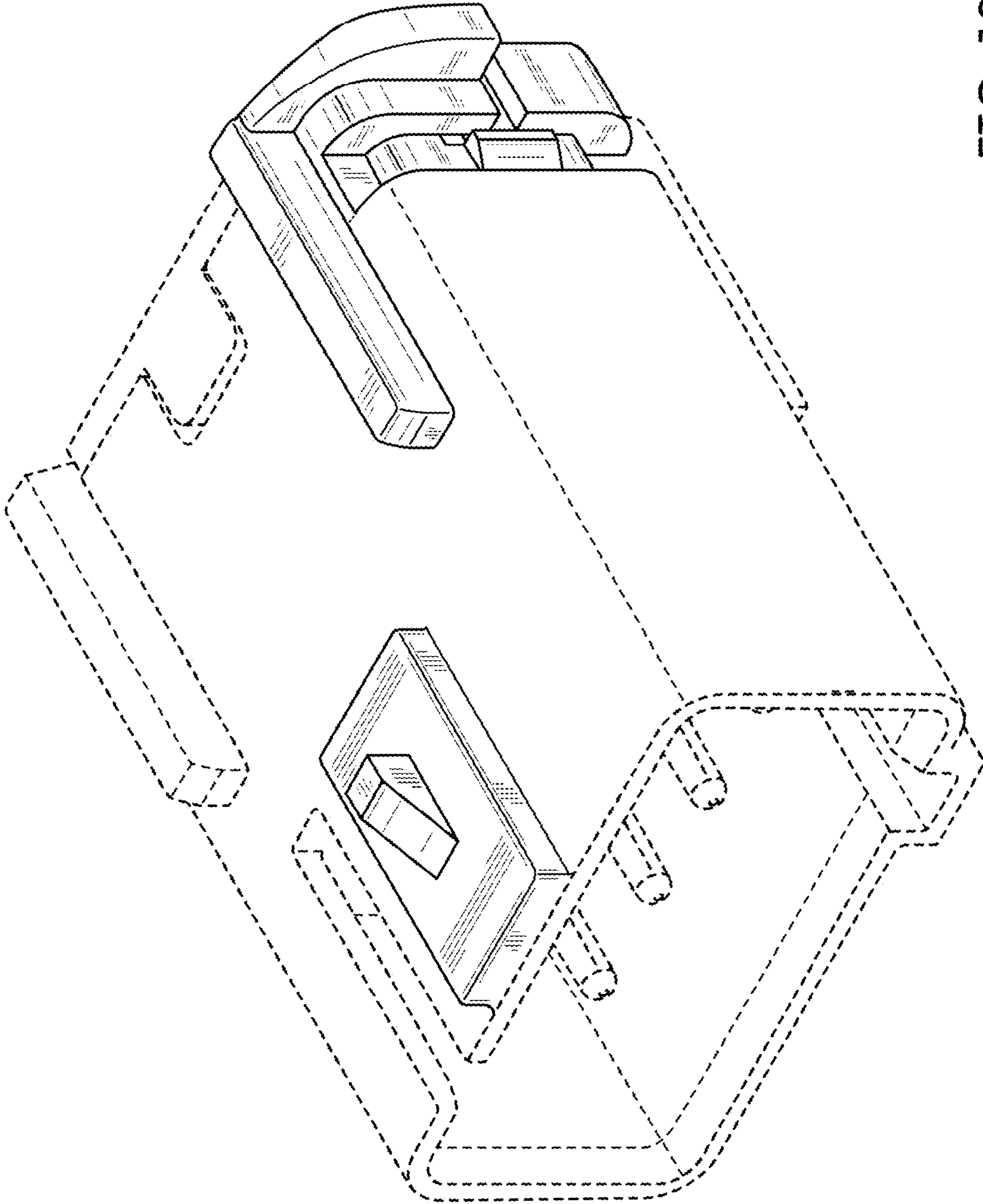


FIG. 10

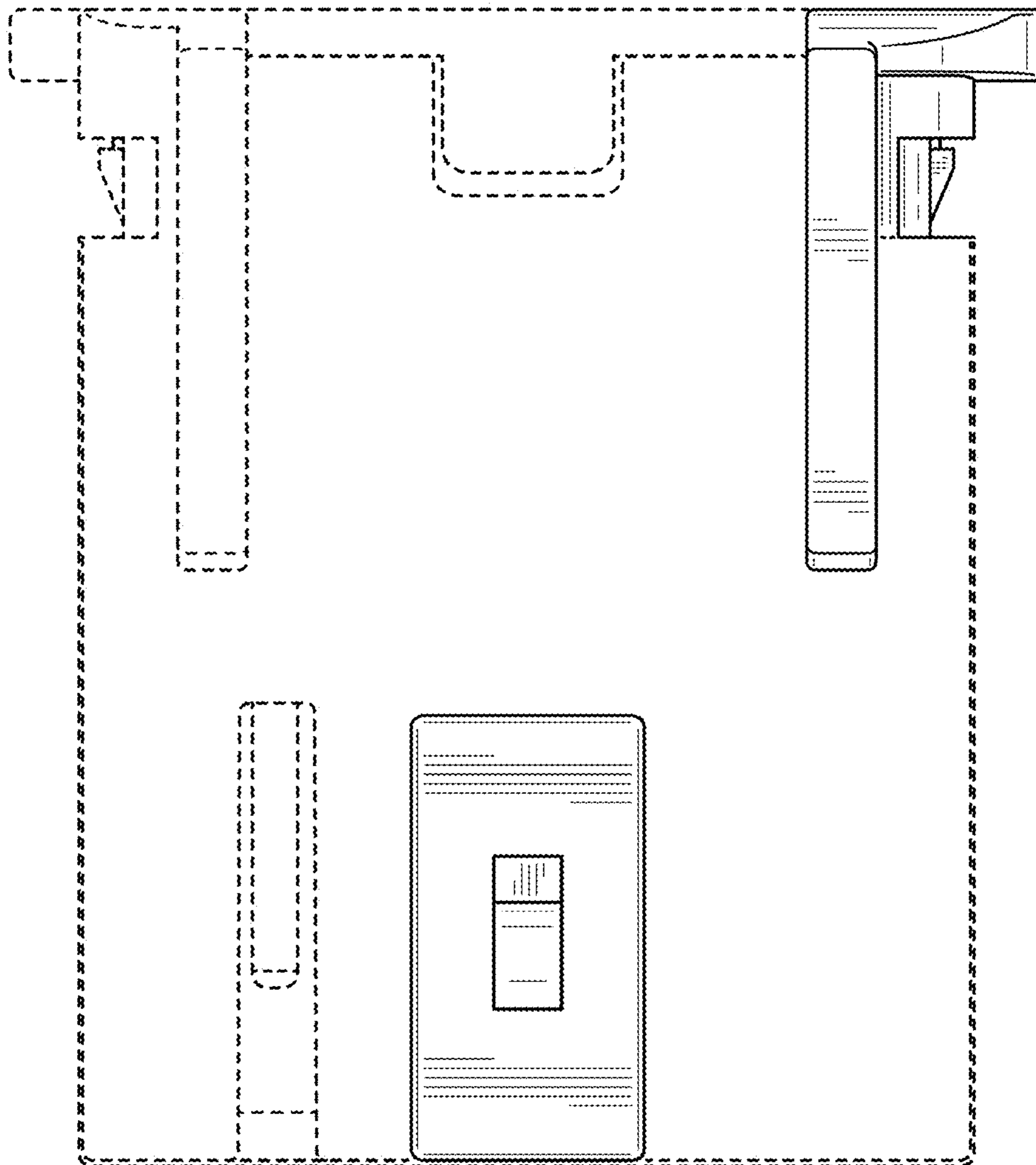


FIG. 11

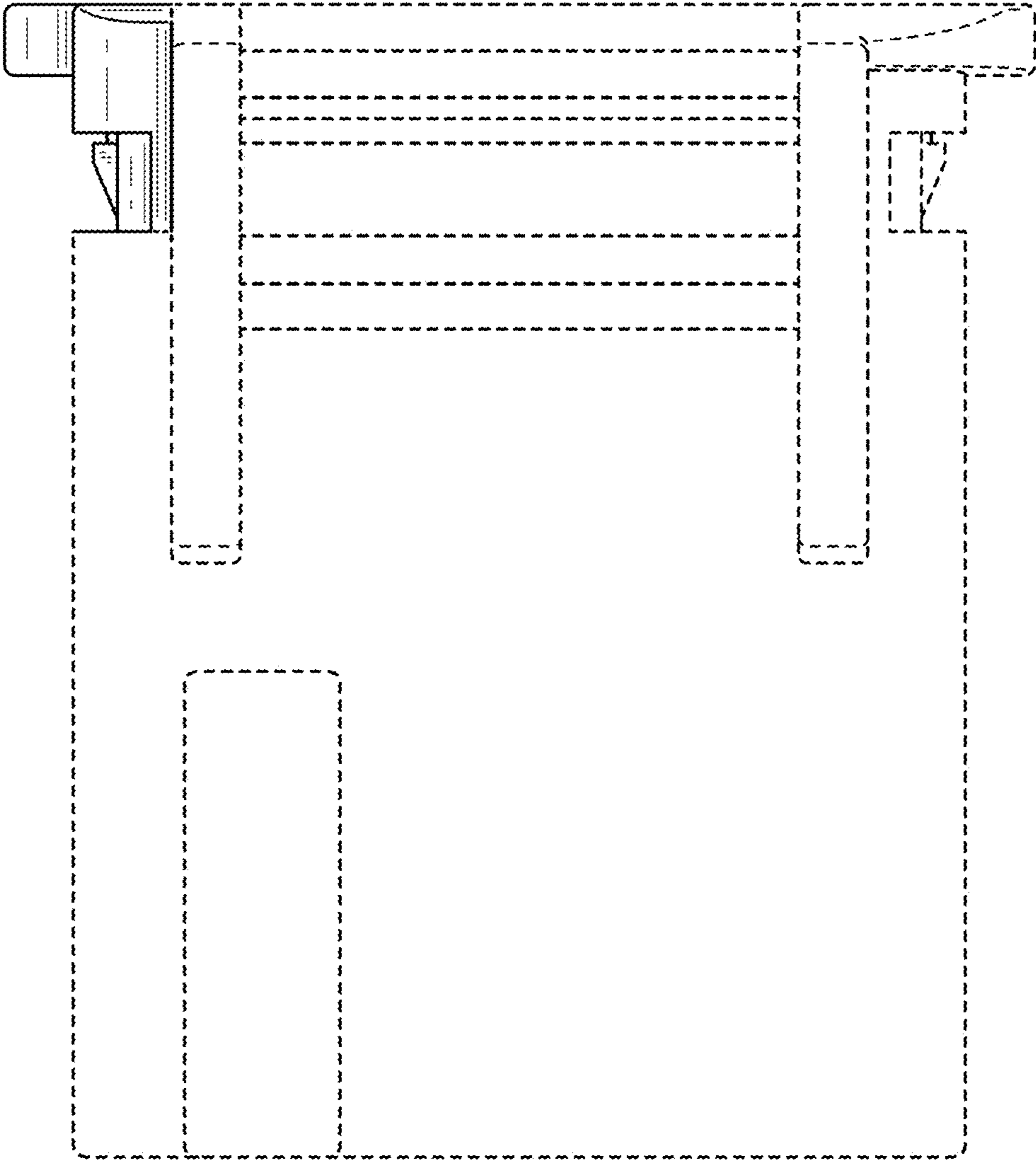


FIG. 12

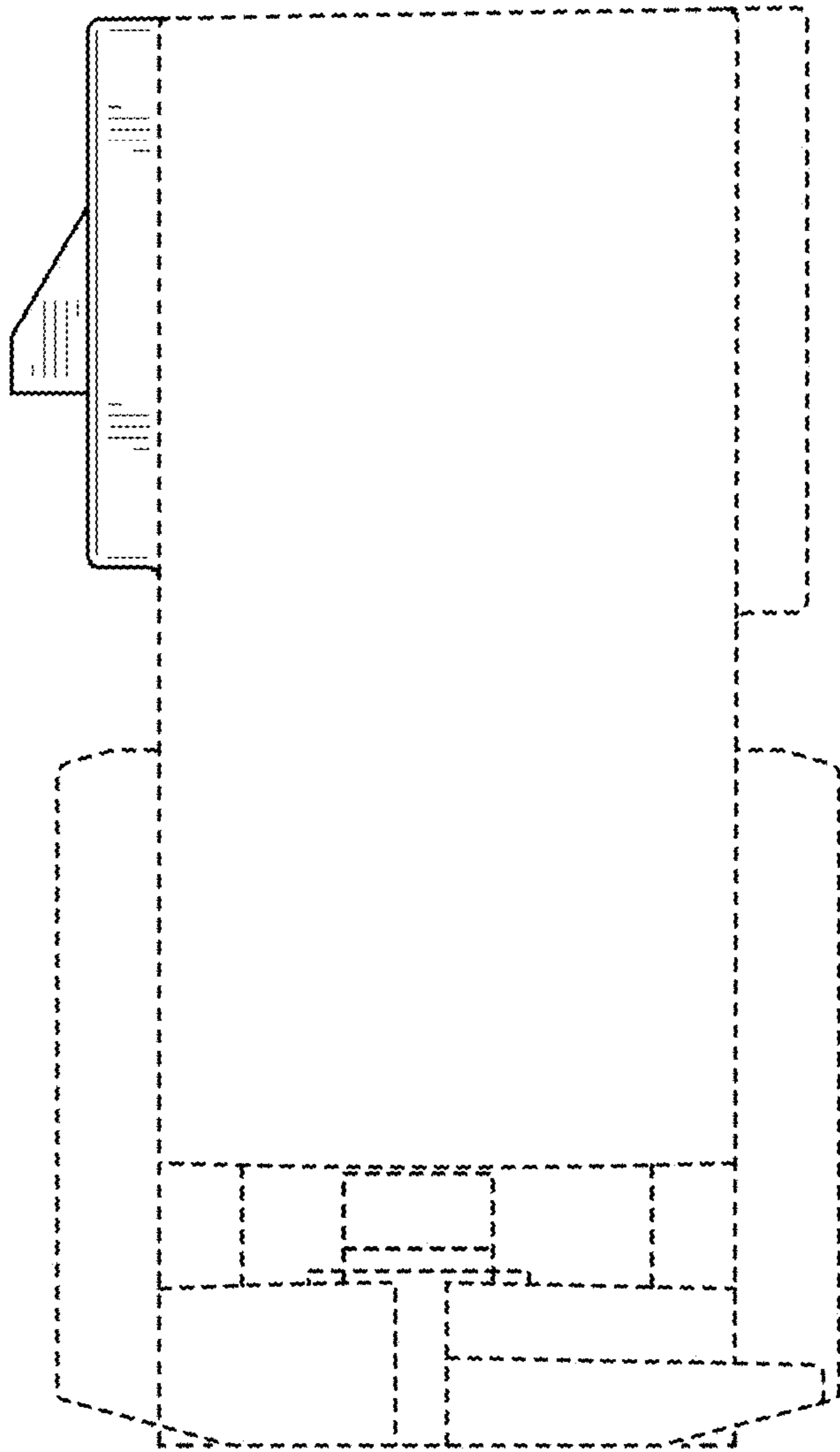


FIG. 13

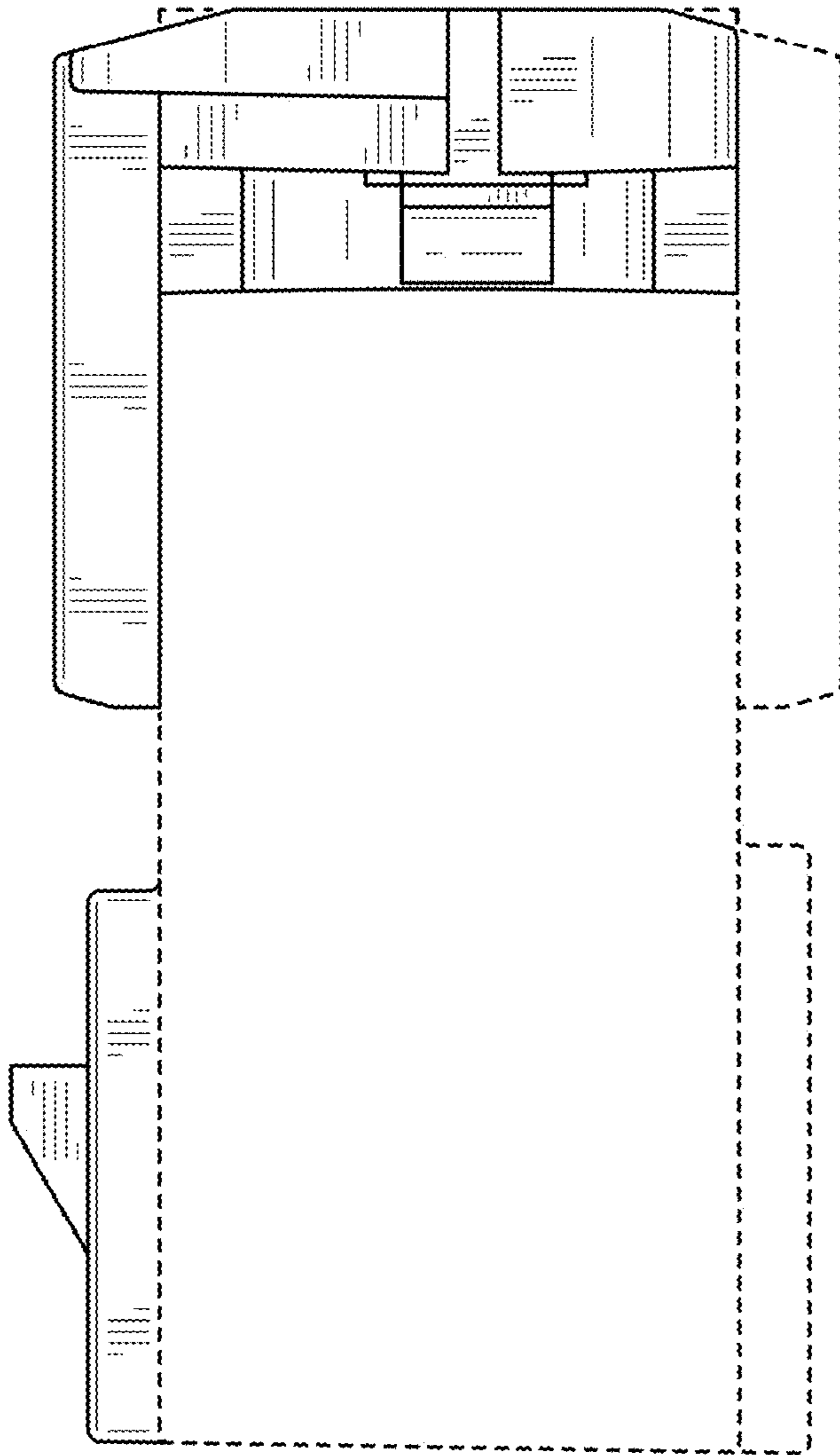


FIG. 14



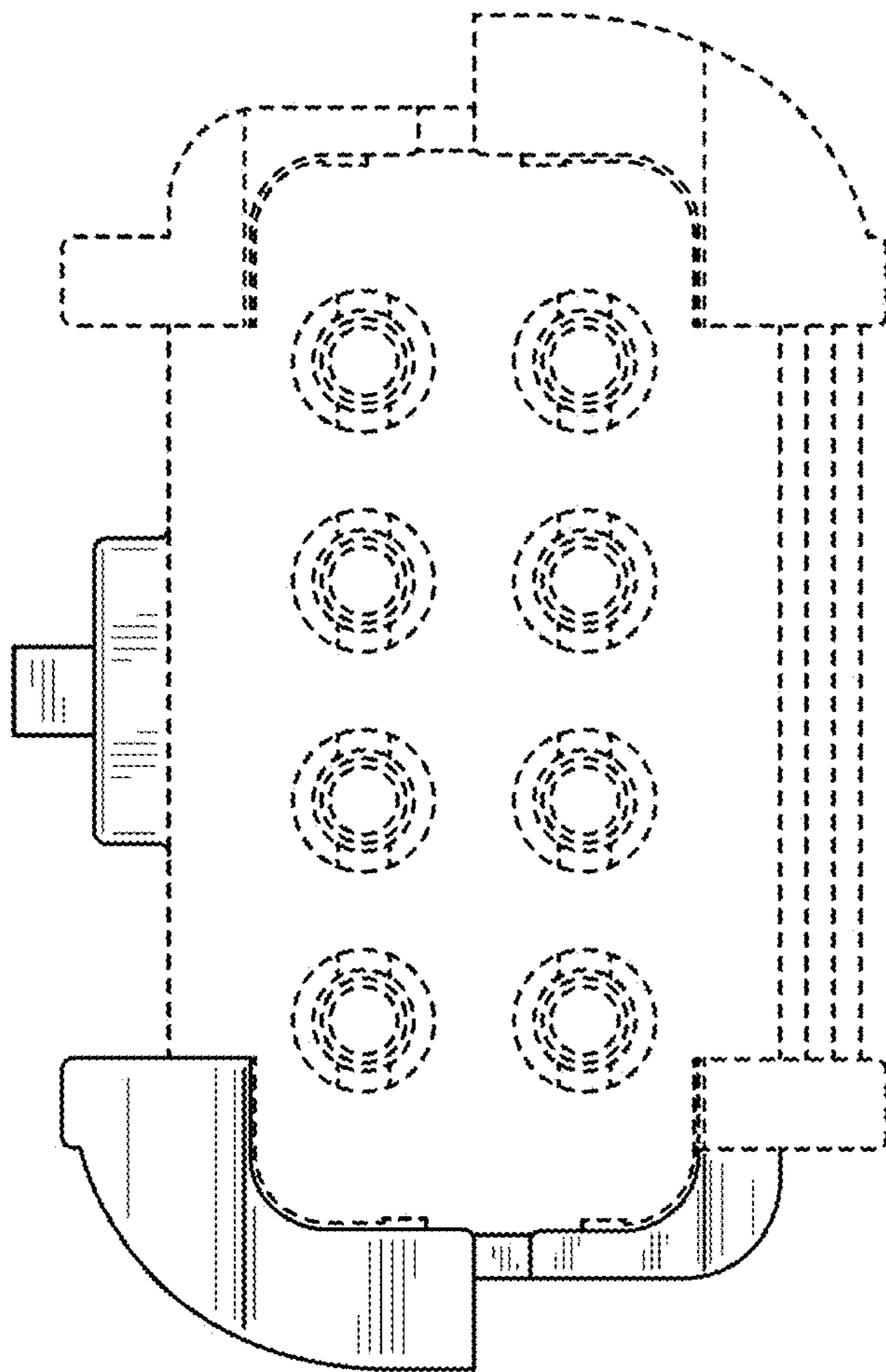


FIG. 15

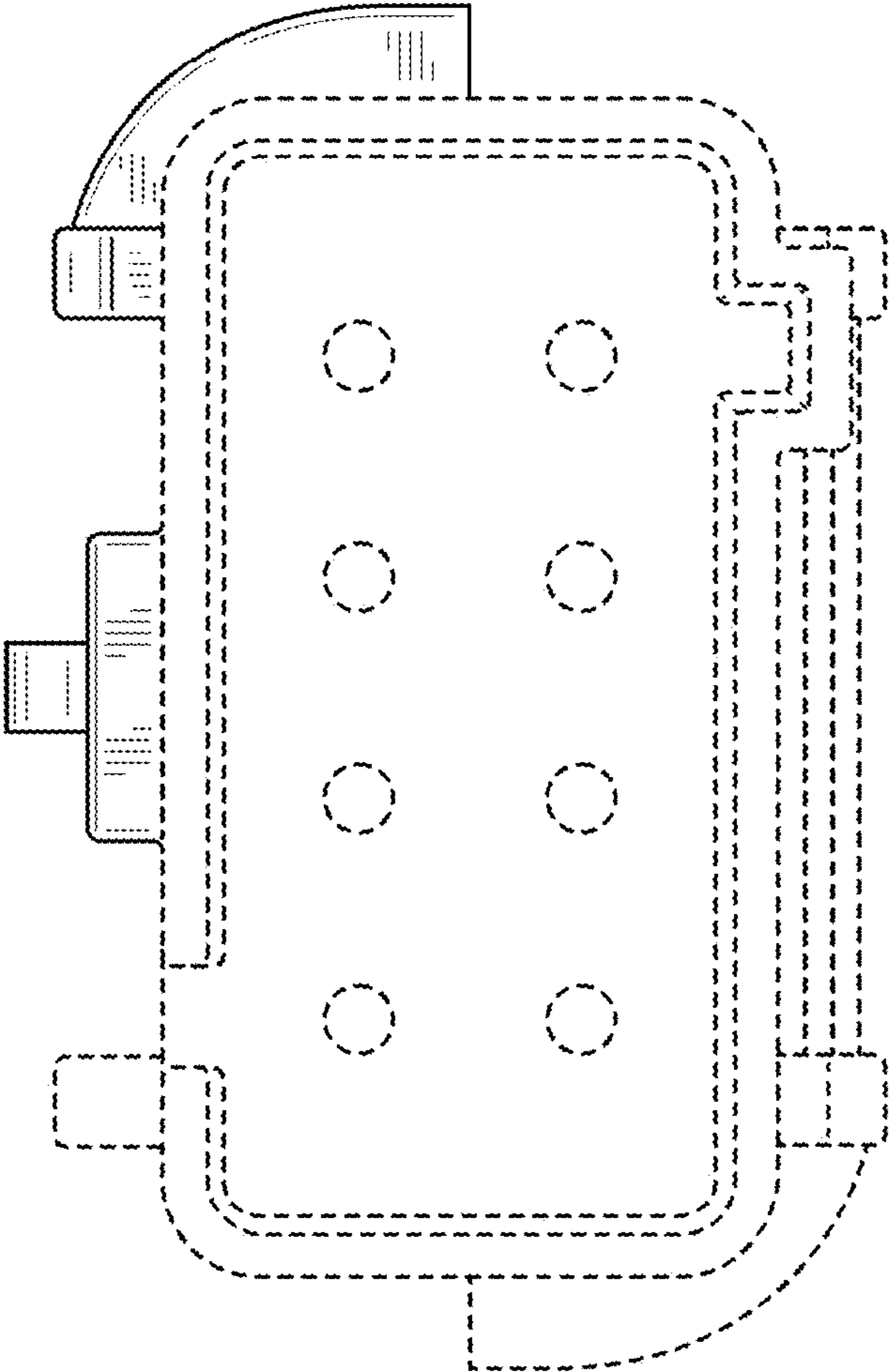


FIG. 16