



US00D906978S

(12) **United States Design Patent**
Ganamukhi et al.

(10) **Patent No.: US D906,978 S**
(45) **Date of Patent: ** Jan. 5, 2021**

(54) **CONNECTOR ASSEMBLY**

DESCRIPTION

- (71) Applicant: **Molex, LLC**, Lisle, IL (US)
- (72) Inventors: **Ishwarappa Ganamukhi**, Bangalore (IN); **Pierre Perez**, Aurora, IL (US)
- (73) Assignee: **Molex, LLC**, Lisle, IL (US)
- (**) Term: **15 Years**
- (21) Appl. No.: **29/685,540**
- (22) Filed: **Mar. 28, 2019**
- (51) **LOC (13) Cl.** **13-03**
- (52) **U.S. Cl.**
USPC **D13/133; D13/147**
- (58) **Field of Classification Search**
USPC **D13/133, 146, 147, 153, 154, 184**
(Continued)

(56) **References Cited**

U.S. PATENT DOCUMENTS

- D308,513 S * 6/1990 Endo D13/147
 - D367,466 S * 2/1996 Uchiyama D13/147
- (Continued)

FOREIGN PATENT DOCUMENTS

- WO D205298-016 * 3/2020

OTHER PUBLICATIONS

Connector System, Jun. 17, 2020, [online], [site visited Jul. 10, 2020], Available from Internet URL: https://www.molex.com/molex/products/part-detail/crimp_housings/0310671010 (Year: 2020).*

Primary Examiner — Karen E Kearney

Assistant Examiner — Michael Chong

(74) *Attorney, Agent, or Firm* — Banner & Witcoff, Ltd.

(57) **CLAIM**

The ornamental design for a connector assembly, as shown and described.

FIG. 1 is a front right perspective view of a connector assembly showing our new design;
 FIG. 2 is a front left perspective view thereof;
 FIG. 3 is a front view thereof;
 FIG. 4 is a rear view thereof;
 FIG. 5 is a left side view thereof;
 FIG. 6 is a right side view thereof;
 FIG. 7 is a top view thereof;
 FIG. 8 is a bottom view thereof;
 FIG. 9 is a rear perspective view thereof;
 FIG. 10 is a front right perspective view of an alternate embodiment of the connector assembly showing our new design which is a mirror image of the connector assembly of FIGS. 1-8;
 FIG. 11 is a front left perspective view thereof;
 FIG. 12 is a front view thereof;
 FIG. 13 is a rear view thereof;
 FIG. 14 is a left side view thereof;
 FIG. 15 is a right side view thereof;
 FIG. 16 is a top view thereof;
 FIG. 17 is a bottom view thereof;
 FIG. 18 is a rear perspective view thereof;
 FIG. 19 is a front right perspective view of an alternate embodiment of the connector assembly showing our new design;
 FIG. 20 is a front left perspective view thereof;
 FIG. 21 is a front view thereof;
 FIG. 22 is a rear view thereof;
 FIG. 23 is a left side view thereof;
 FIG. 24 is a right side view thereof;
 FIG. 25 is a top view thereof;
 FIG. 26 is a bottom view thereof;
 FIG. 27 is a rear perspective view thereof;
 FIG. 28 is a front right perspective view of an alternate embodiment of the connector assembly showing our new design which is a mirror image of the connector assembly of FIGS. 17-24;
 FIG. 29 is a front left perspective view thereof;
 FIG. 30 is a front view thereof;
 FIG. 31 is a rear view thereof;
 FIG. 32 is a left side view thereof;

(Continued)

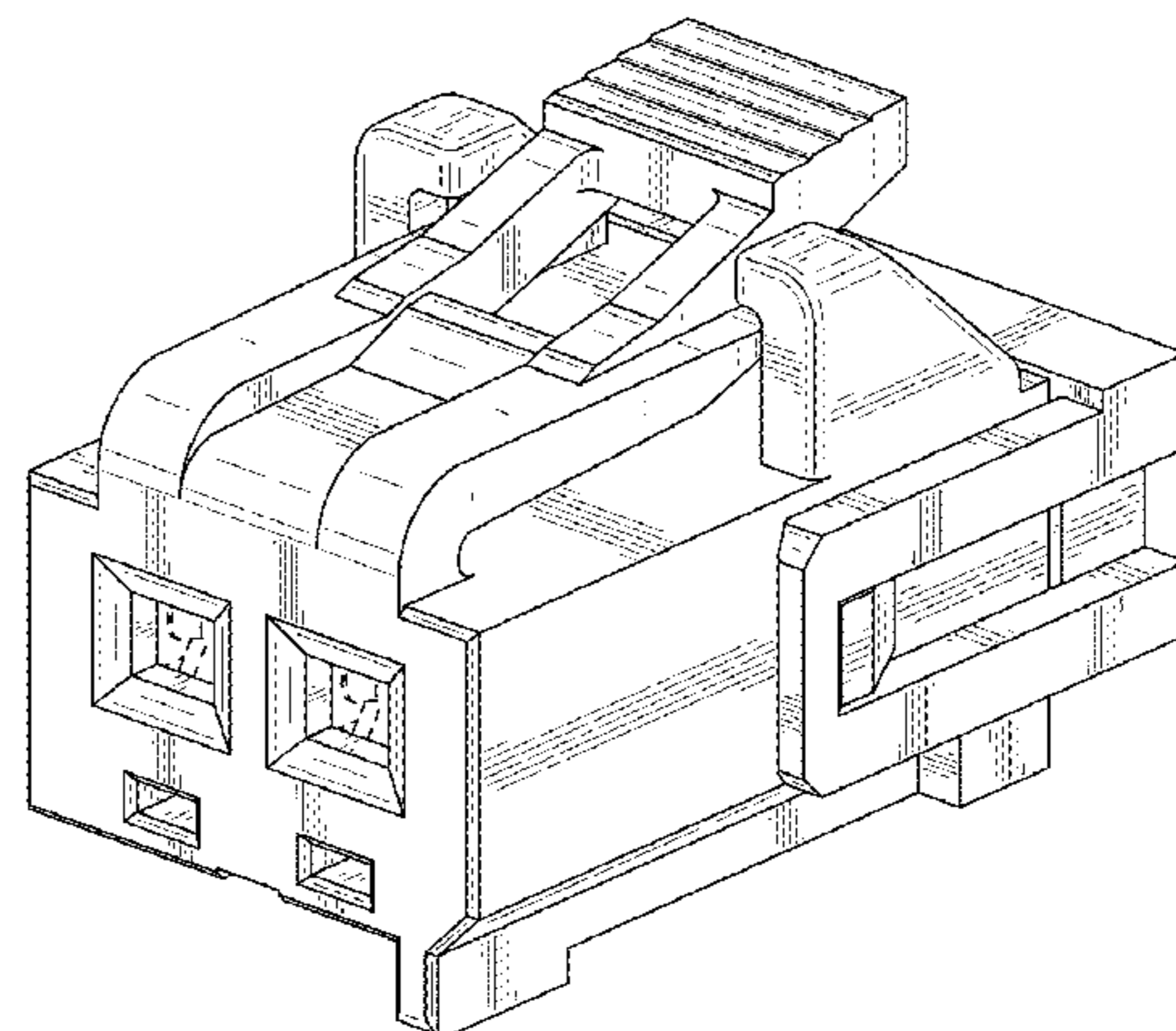
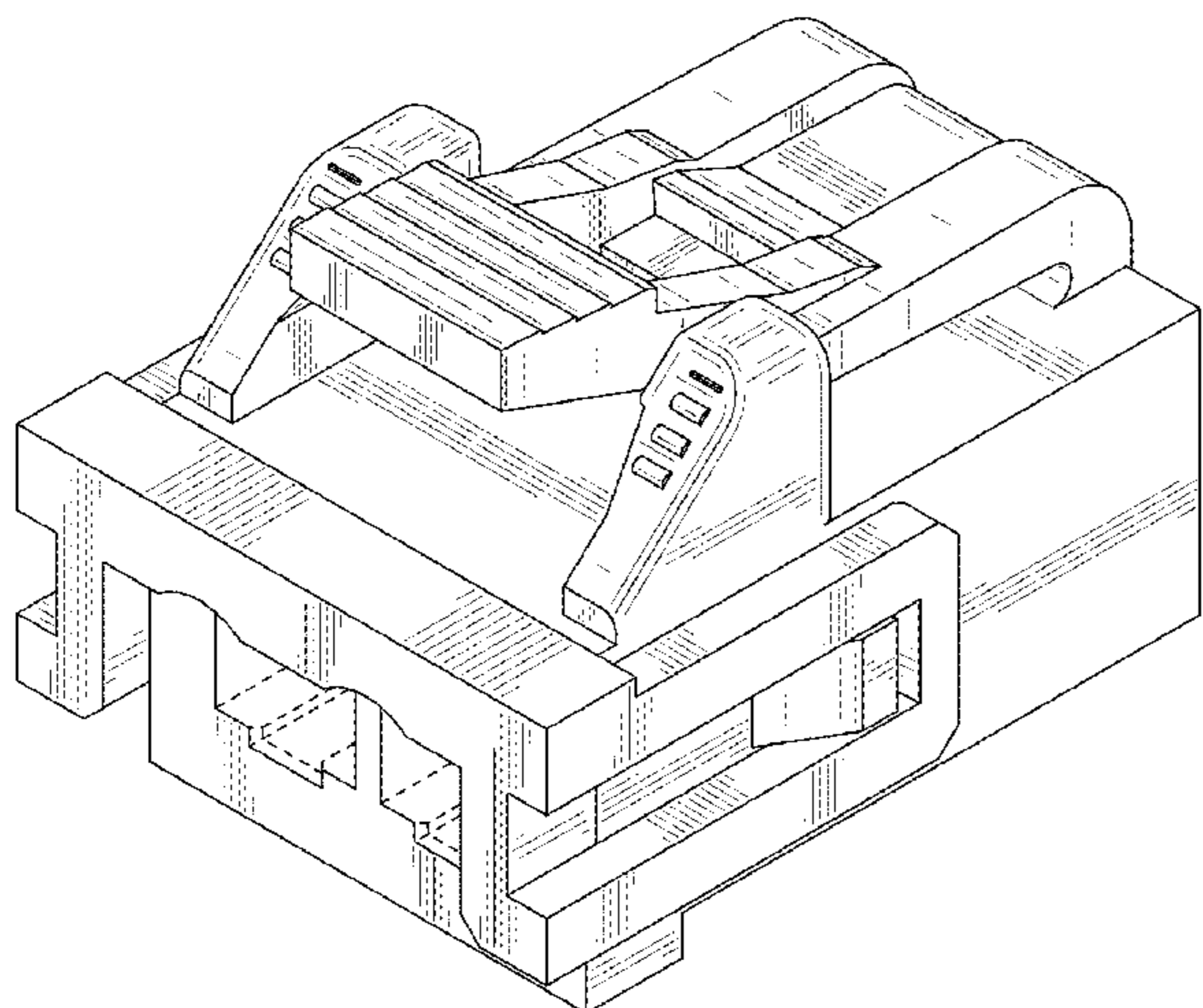


FIG. 33 is a right side view thereof;
FIG. 34 is a top view thereof;
FIG. 35 is a bottom view thereof;
FIG. 36 is a rear perspective view thereof;
FIG. 37 is a front right perspective view of an alternate embodiment of the connector assembly showing our new design;
FIG. 38 is a front left perspective view thereof;
FIG. 39 is a front view thereof;
FIG. 40 is a rear view thereof;
FIG. 41 is a left side view thereof;
FIG. 42 is a right side view thereof;
FIG. 43 is a top view thereof;
FIG. 44 is a bottom view thereof;
FIG. 45 is a rear perspective view thereof;
FIG. 46 is a front right perspective view of an alternate embodiment of the connector assembly showing our new design which is a mirror image of the connector assembly of FIGS. 33-40;
FIG. 47 is a front left perspective view thereof;
FIG. 48 is a front view thereof;
FIG. 49 is a rear view thereof;
FIG. 50 is a left side view thereof;
FIG. 51 is a right side view thereof;
FIG. 52 is a top view thereof;
FIG. 53 is a bottom view thereof;
FIG. 54 is a rear perspective view thereof;
FIG. 55 is a front right perspective view of an alternate embodiment of the connector assembly showing our new design;
FIG. 56 is a front left perspective view thereof;
FIG. 57 is a front view thereof;
FIG. 58 is a rear view thereof;
FIG. 59 is a left side view thereof;
FIG. 60 is a right side view thereof;
FIG. 61 is a top view thereof;
FIG. 62 is a bottom view thereof;
FIG. 63 is a rear perspective view thereof;
FIG. 64 is a front right perspective view of an alternate embodiment of the connector assembly showing our new design which is a mirror image of the connector assembly of FIGS. 49-56;
FIG. 65 is a front left perspective view thereof;
FIG. 66 is a front view thereof;
FIG. 67 is a rear view thereof;
FIG. 68 is a left side view thereof;
FIG. 69 is a right side view thereof;
FIG. 70 is a top view thereof;
FIG. 71 is a bottom view thereof;
FIG. 72 is a rear perspective view thereof;
FIG. 73 is a front right perspective view of an alternate embodiment of the connector assembly showing our new design;
FIG. 74 is a front left perspective view thereof;
FIG. 75 is a front view thereof;
FIG. 76 is a rear view thereof;
FIG. 77 is a left side view thereof;
FIG. 78 is a right side view thereof;
FIG. 79 is a top view thereof;
FIG. 80 is a bottom view thereof;
FIG. 81 is a rear perspective view thereof;
FIG. 82 is a front right perspective view of an alternate embodiment of the connector assembly showing our new design which is a mirror image of the connector assembly of FIGS. 65-72;

FIG. 83 is a front left perspective view thereof;
FIG. 84 is a front view thereof;
FIG. 85 is a rear view thereof;
FIG. 86 is a left side view thereof;
FIG. 87 is a right side view thereof;
FIG. 88 is a top view thereof;
FIG. 89 is a bottom view thereof;
FIG. 90 is a rear perspective view thereof;
FIG. 91 is a front right perspective view of an alternate embodiment of the connector assembly showing our new design;
FIG. 92 is a front left perspective view thereof;
FIG. 93 is a front view thereof;
FIG. 94 is a rear view thereof;
FIG. 95 is a left side view thereof;
FIG. 96 is a right side view thereof;
FIG. 97 is a top view thereof;
FIG. 98 is a bottom view thereof;
FIG. 99 is a rear perspective view thereof;
FIG. 100 is a front right perspective view of an alternate embodiment of the connector assembly showing our new design which is a mirror image of the connector assembly of FIGS. 81-88;
FIG. 101 is a front left perspective view thereof;
FIG. 102 is a front view thereof;
FIG. 103 is a rear view thereof;
FIG. 104 is a left side view thereof;
FIG. 105 is a right side view thereof;
FIG. 106 is a top view thereof;
FIG. 107 is a bottom view thereof;
FIG. 108 is a rear perspective view thereof;
FIG. 109 is a front right perspective view of an alternate embodiment of the connector assembly showing our new design;
FIG. 110 is a front left perspective view thereof;
FIG. 111 is a front view thereof;
FIG. 112 is a rear view thereof;
FIG. 113 is a left side view thereof;
FIG. 114 is a right side view thereof;
FIG. 115 is a top view thereof;
FIG. 116 is a bottom view thereof;
FIG. 117 is a rear perspective view thereof;
FIG. 118 is a front right perspective view of an alternate embodiment of the connector assembly showing our new design which is a mirror image of the connector assembly of FIGS. 97-104;
FIG. 119 is a front left perspective view thereof;
FIG. 120 is a front view thereof;
FIG. 121 is a rear view thereof;
FIG. 122 is a left side view thereof;
FIG. 123 is a right side view thereof;
FIG. 124 is a top view thereof;
FIG. 125 is a bottom view thereof;
FIG. 126 is a rear perspective view thereof;
FIG. 127 is a front right perspective view of an alternate embodiment of the connector assembly showing our new design;
FIG. 128 is a front left perspective view thereof;
FIG. 129 is a front view thereof;
FIG. 130 is a rear view thereof;
FIG. 131 is a left side view thereof;
FIG. 132 is a right side view thereof;
FIG. 133 is a top view thereof;
FIG. 134 is a bottom view thereof;

FIG. 135 is a rear perspective view thereof;
 FIG. 136 is a front right perspective view of an alternate embodiment of the connector assembly showing our new design which is a mirror image of the connector assembly of FIGS. 113-120;
 FIG. 137 is a front left perspective view thereof;
 FIG. 138 is a front view thereof;
 FIG. 139 is a rear view thereof;
 FIG. 140 is a left side view thereof;
 FIG. 141 is a right side view thereof;
 FIG. 142 is a top view thereof;
 FIG. 143 is a bottom view thereof;
 FIG. 144 is a rear perspective view thereof;
 FIG. 145 is a front right perspective view of an alternate embodiment of the connector assembly showing our new design;
 FIG. 146 is a front left perspective view thereof;
 FIG. 147 is a front view thereof;
 FIG. 148 is a rear view thereof;
 FIG. 149 is a left side view thereof;
 FIG. 150 is a right side view thereof;
 FIG. 151 is a top view thereof;
 FIG. 152 is a bottom view thereof;
 FIG. 153 is a rear perspective view thereof;
 FIG. 154 is a front right perspective view of an alternate embodiment of the connector assembly showing our new design which is a mirror image of the connector assembly of FIGS. 129-136;
 FIG. 155 is a front left perspective view thereof;
 FIG. 156 is a front view thereof;
 FIG. 157 is a rear view thereof;
 FIG. 158 is a left side view thereof;
 FIG. 159 is a right side view thereof;
 FIG. 160 is a top view thereof;
 FIG. 161 is a bottom view thereof; and,
 FIG. 162 is a rear perspective view thereof.

The broken lines depicting the remainder of the connector assembly show features that form no part of the claimed design.

1 Claim, 120 Drawing Sheets

(58) **Field of Classification Search**

CPC H01R 13/02; H01R 13/436; H01R 13/502;
 H01R 13/504; H01R 13/506; H01R
 13/64; H01R 13/4362

See application file for complete search history.

(56) **References Cited**

U.S. PATENT DOCUMENTS

D388,767	S	*	1/1998	Akins	D13/133
D425,869	S	*	5/2000	Yokomizo	D13/147
D459,704	S	*	7/2002	Chen	D13/147
D463,370	S	*	9/2002	Chen	D13/147
D524,751	S	*	7/2006	Lee	D13/147
D726,662	S	*	4/2015	Honda	D13/154
D748,580	S	*	2/2016	Endo	D13/146
D748,588	S	*	2/2016	Endo	D13/147
D791,080	S	*	7/2017	Li	D13/133
D791,082	S	*	7/2017	Li et al.	
D791,083	S	*	7/2017	Li	D13/147
D791,705	S	*	7/2017	Li et al.	
D791,706	S	*	7/2017	Li	D13/147
D791,707	S	*	7/2017	Li	D13/147
D792,851	S	*	7/2017	Li	D13/147
D792,852	S	*	7/2017	Li	D13/147
D792,853	S	*	7/2017	Li	D13/147
D795,199	S	*	8/2017	Ikeda	D13/154
D802,538	S	*	11/2017	Li	D13/147
D803,162	S	*	11/2017	Li	D13/147
D840,938	S	*	2/2019	Hsu	D13/147

* cited by examiner

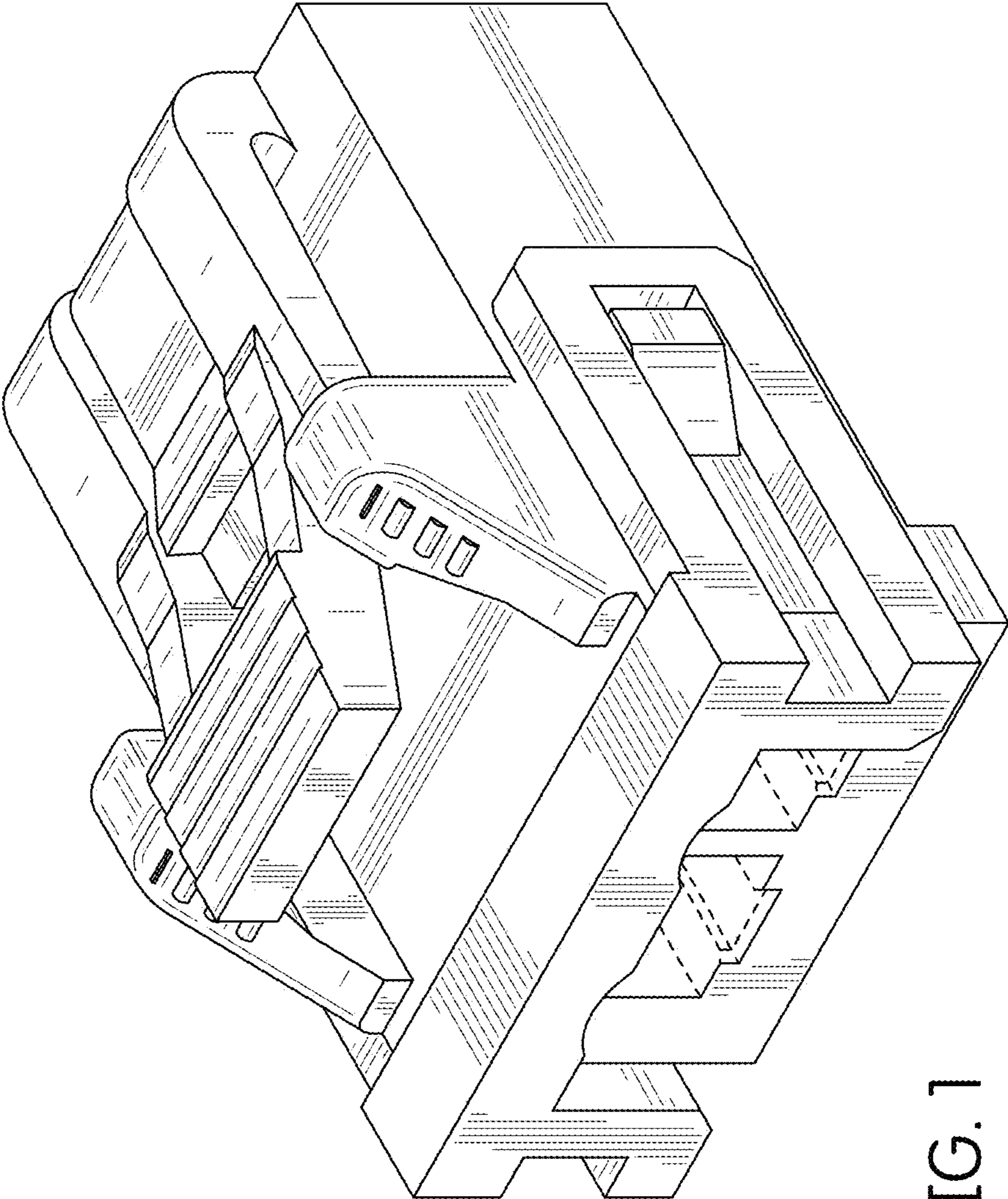


FIG. 1

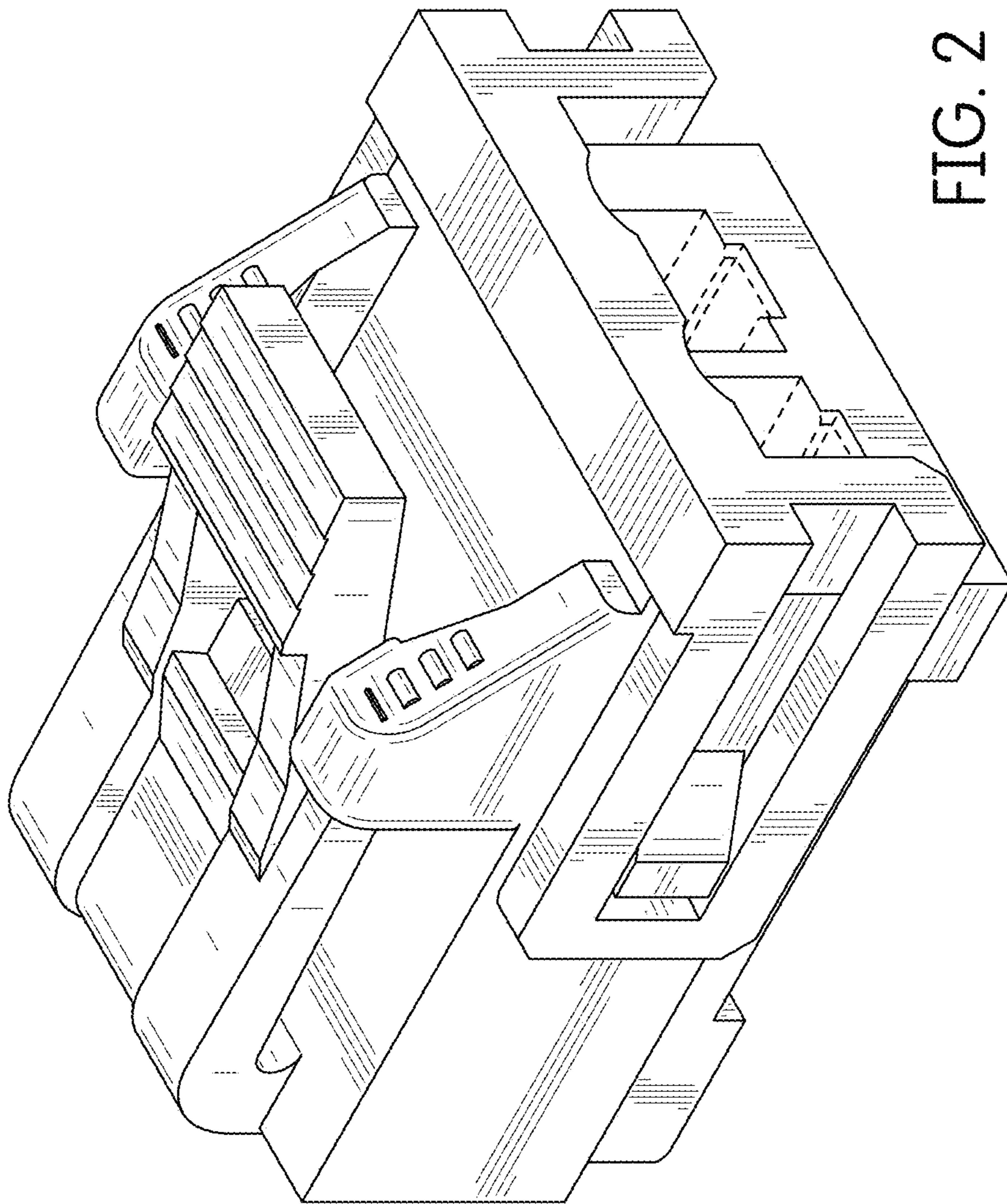


FIG. 2

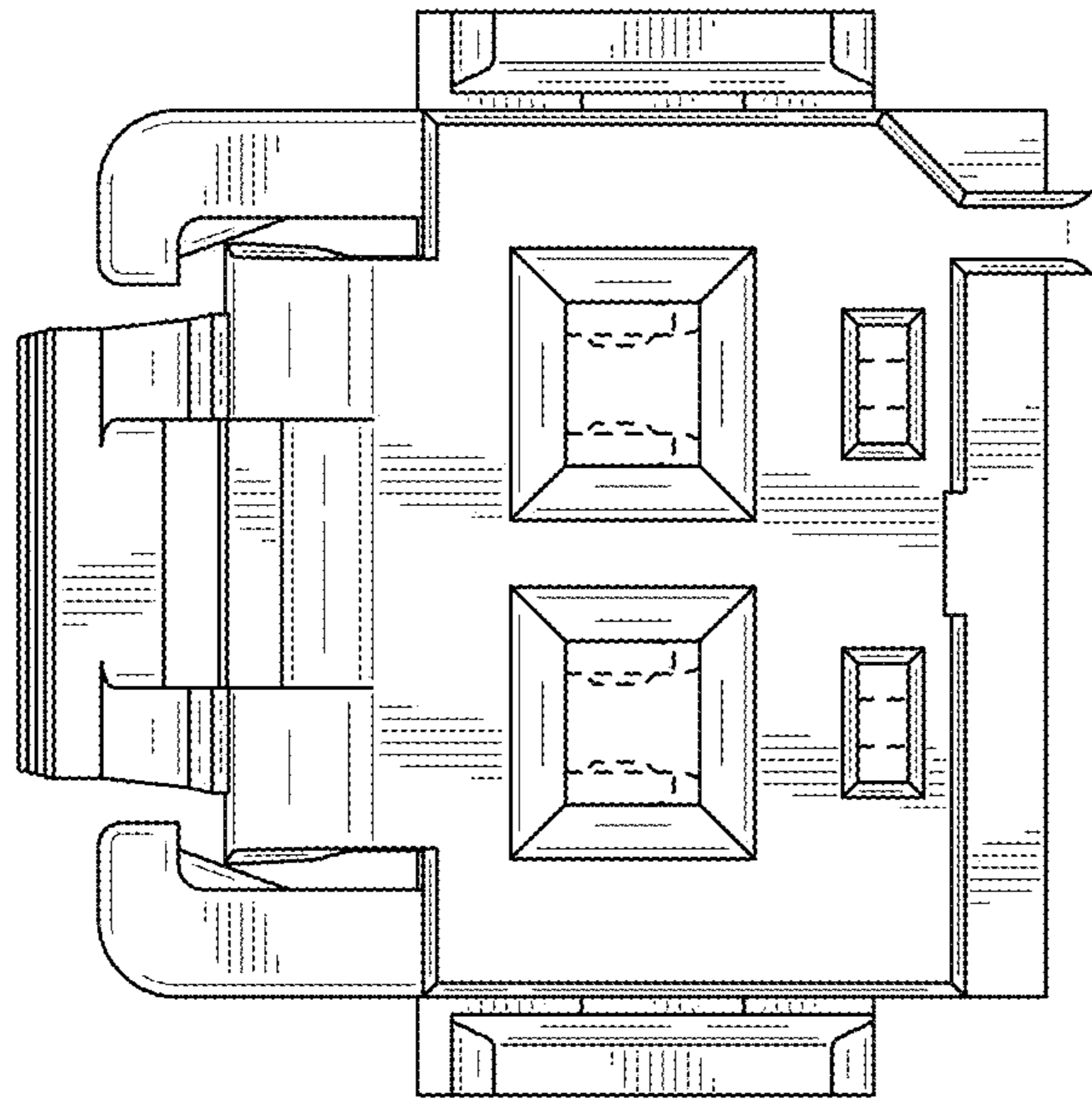


FIG. 4

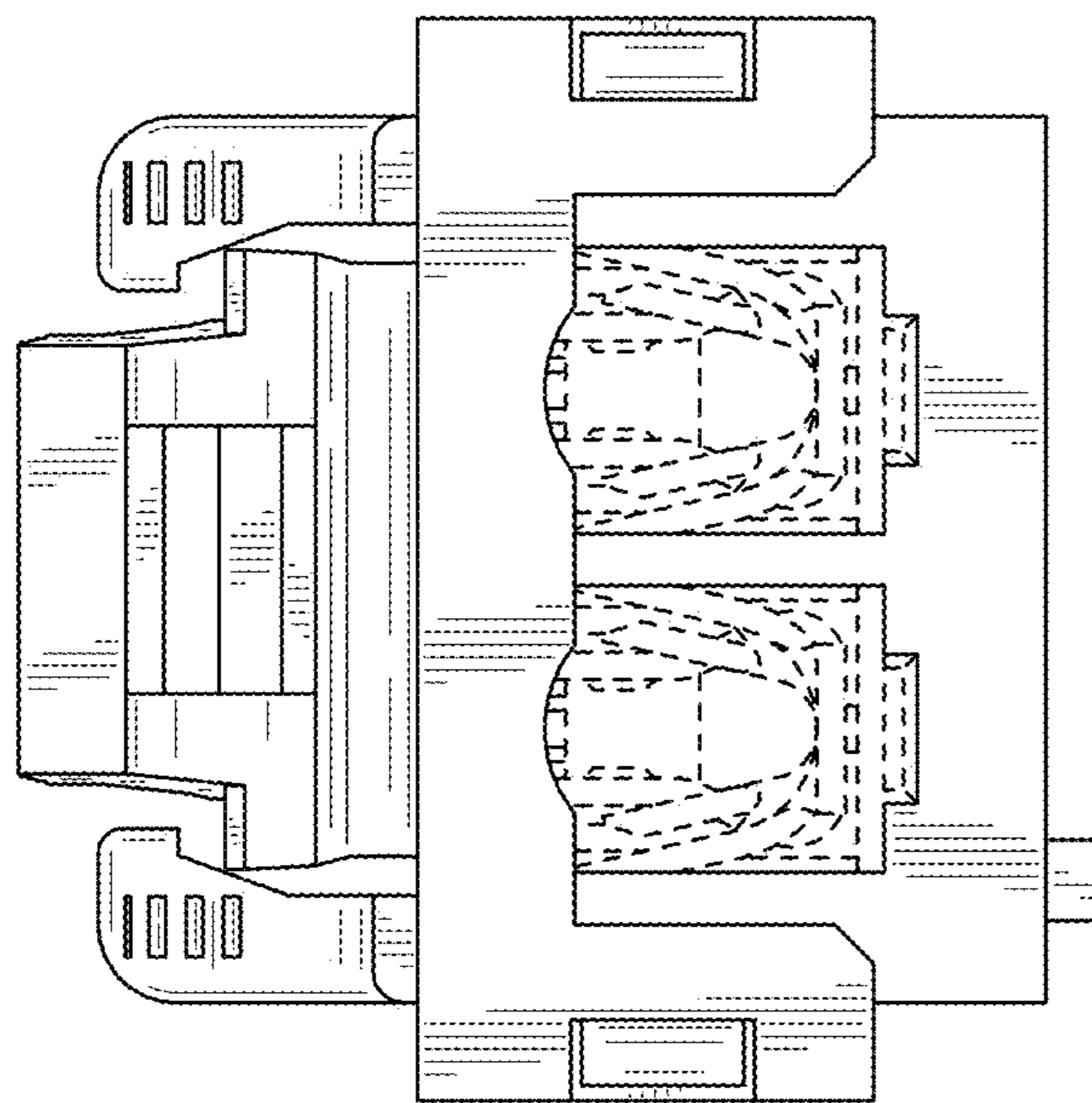


FIG. 3

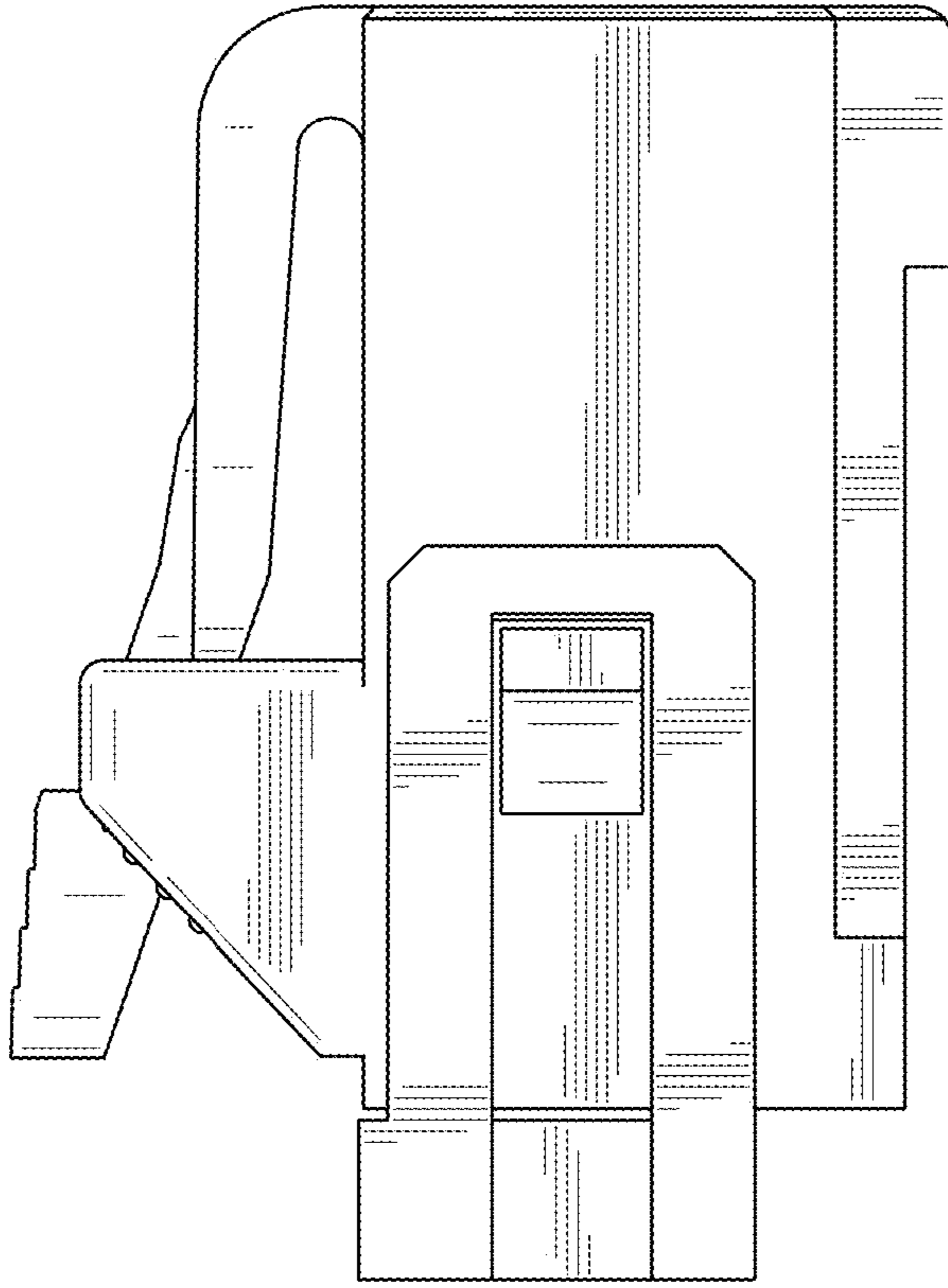


FIG. 5

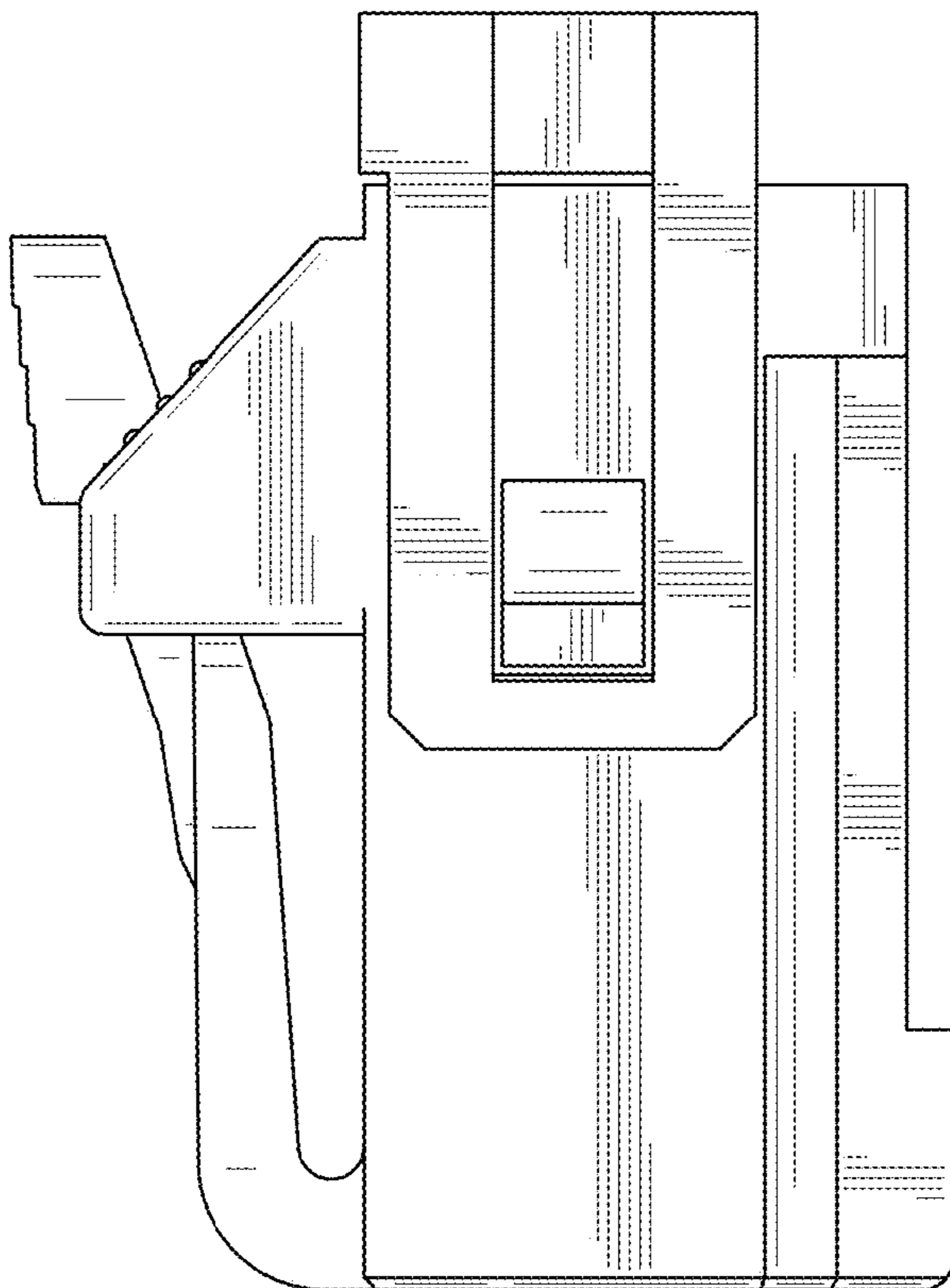


FIG. 6

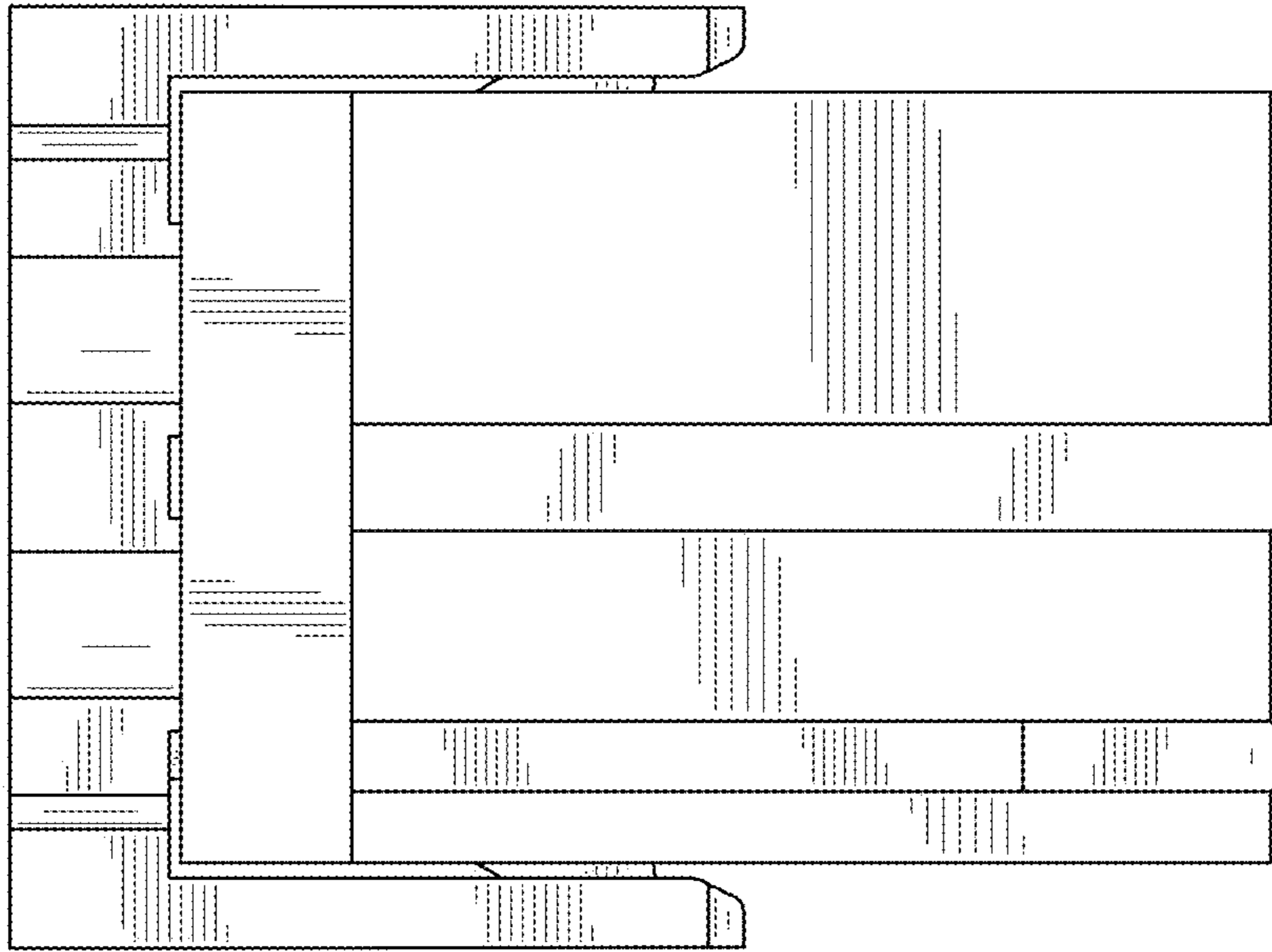


FIG. 8

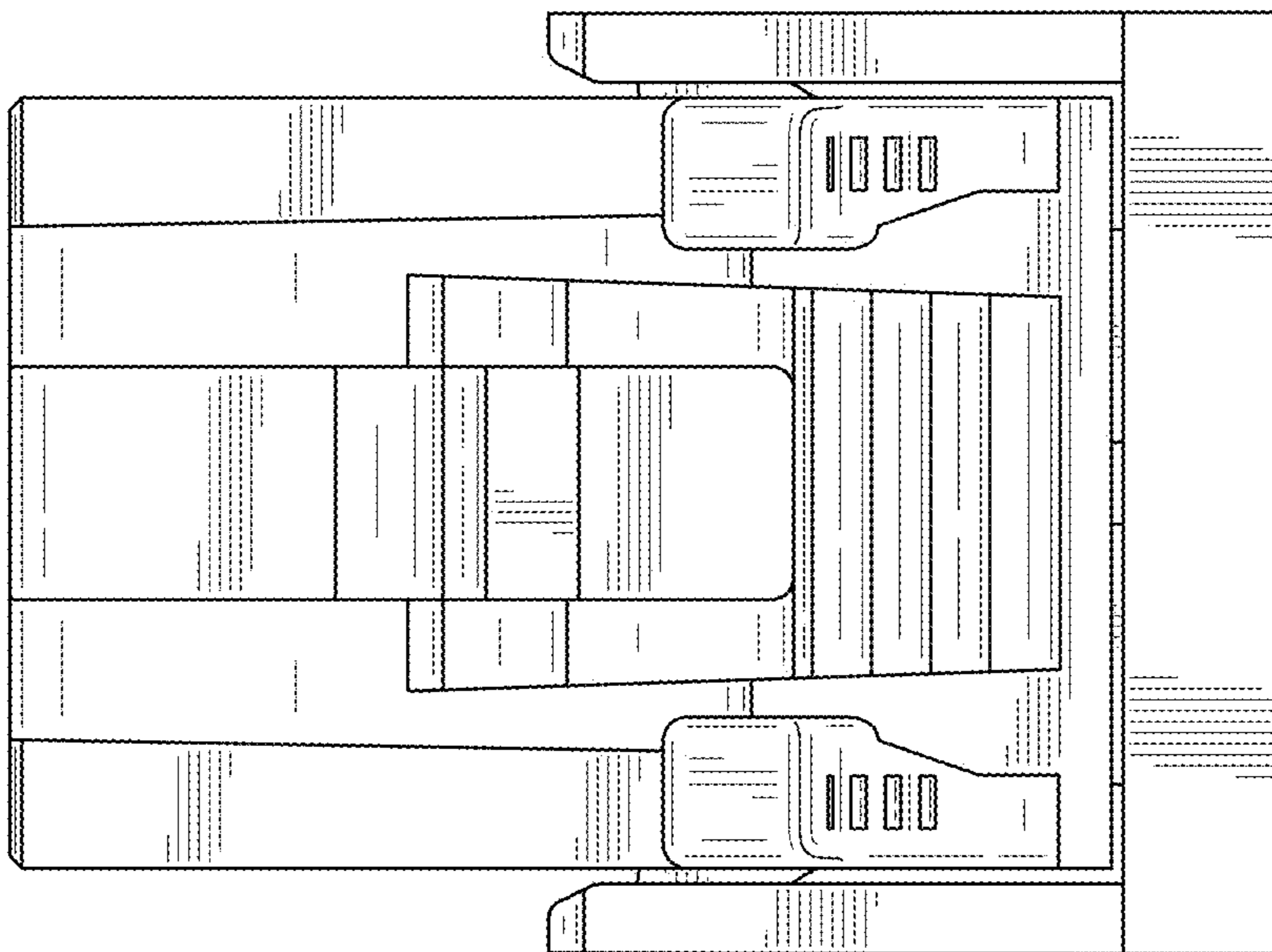


FIG. 7

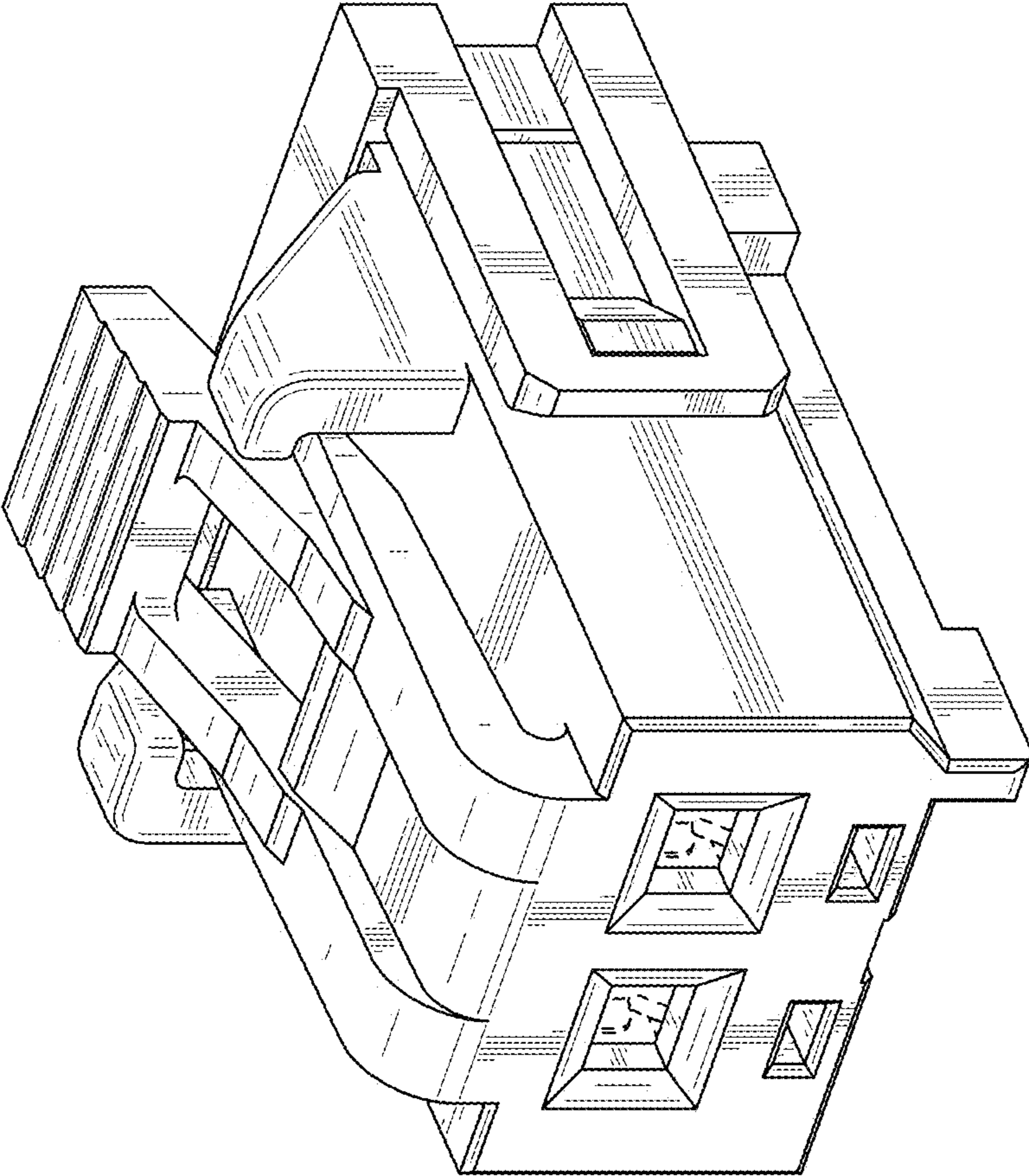


FIG. 9

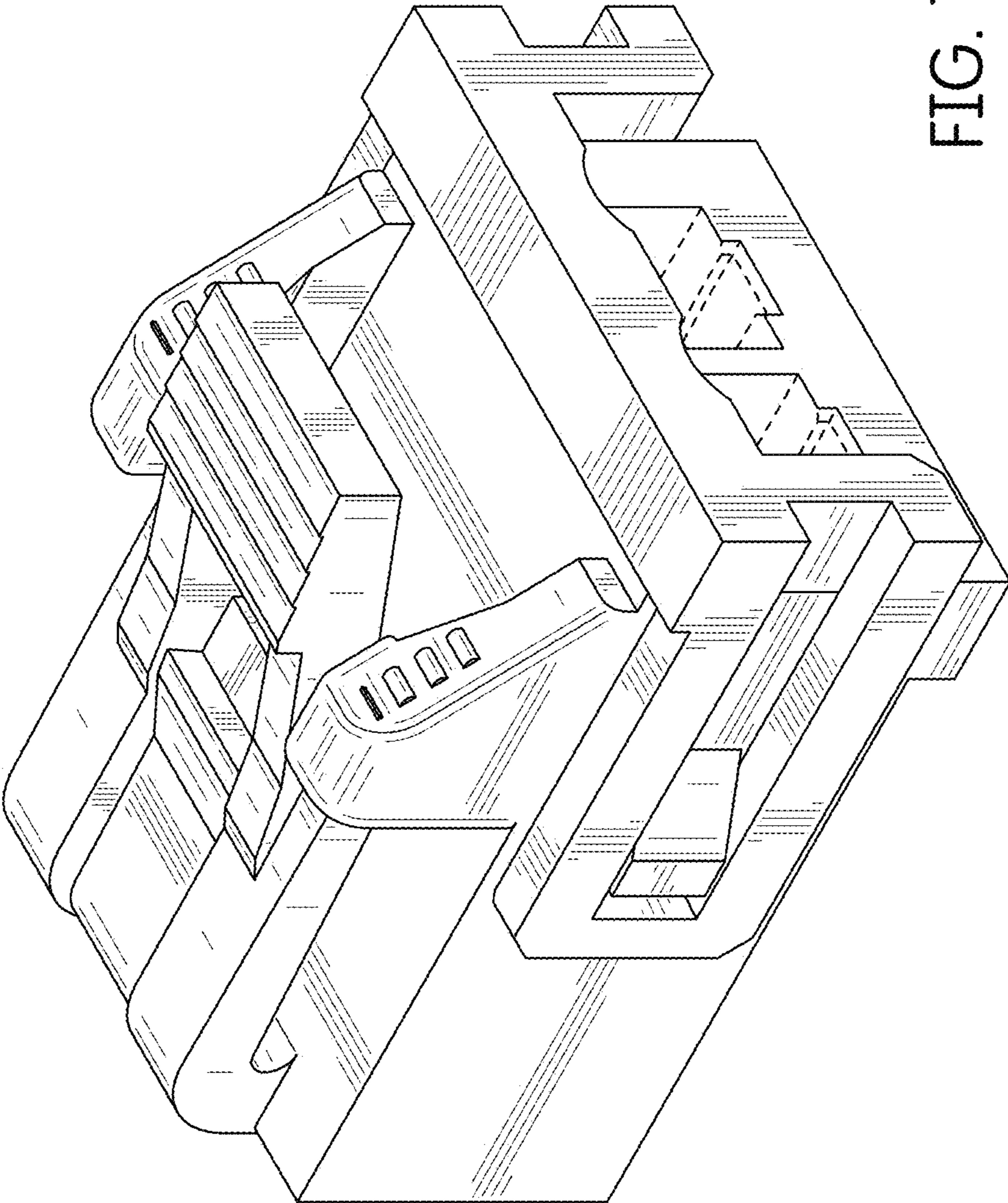


FIG. 10

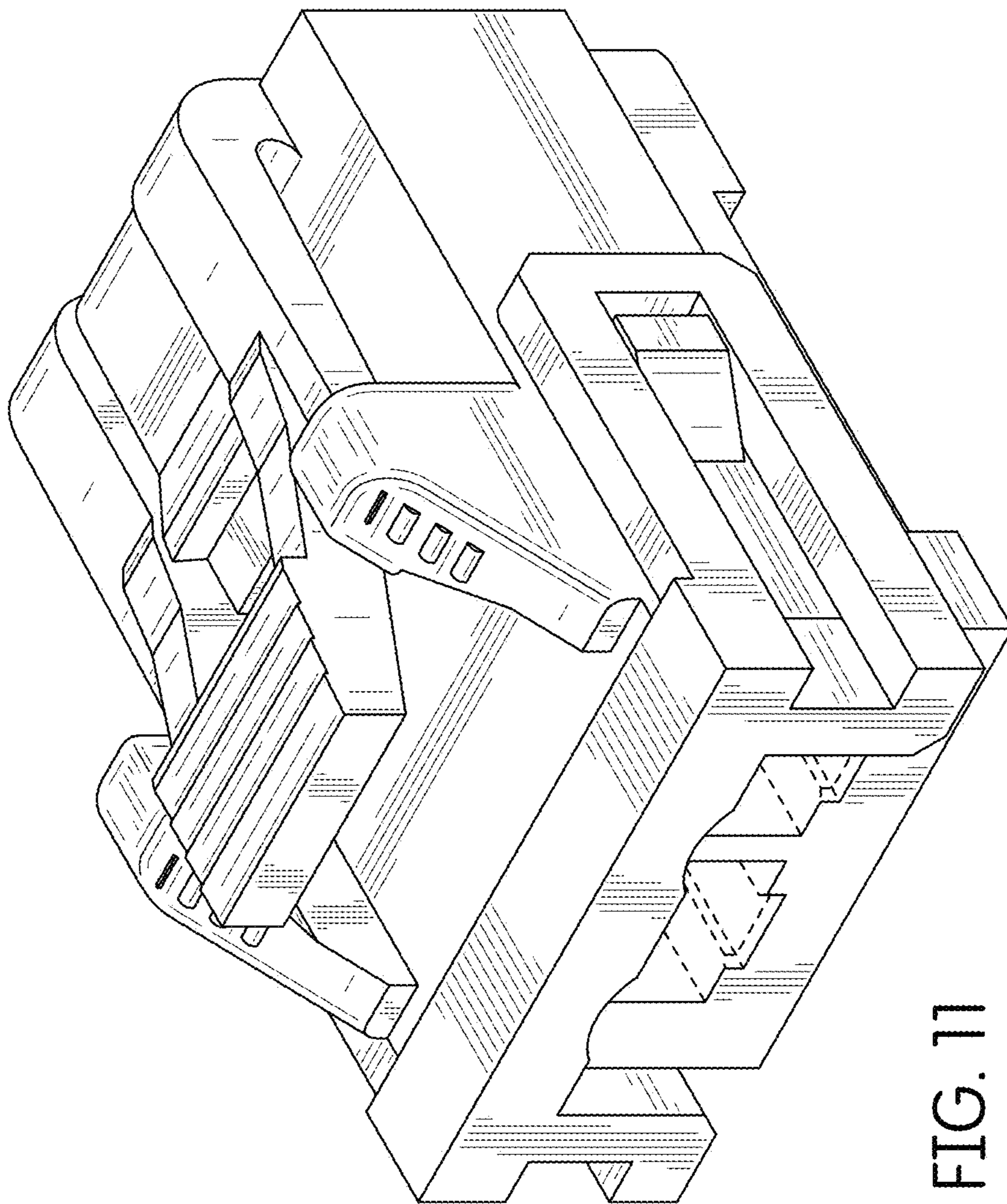


FIG. 11

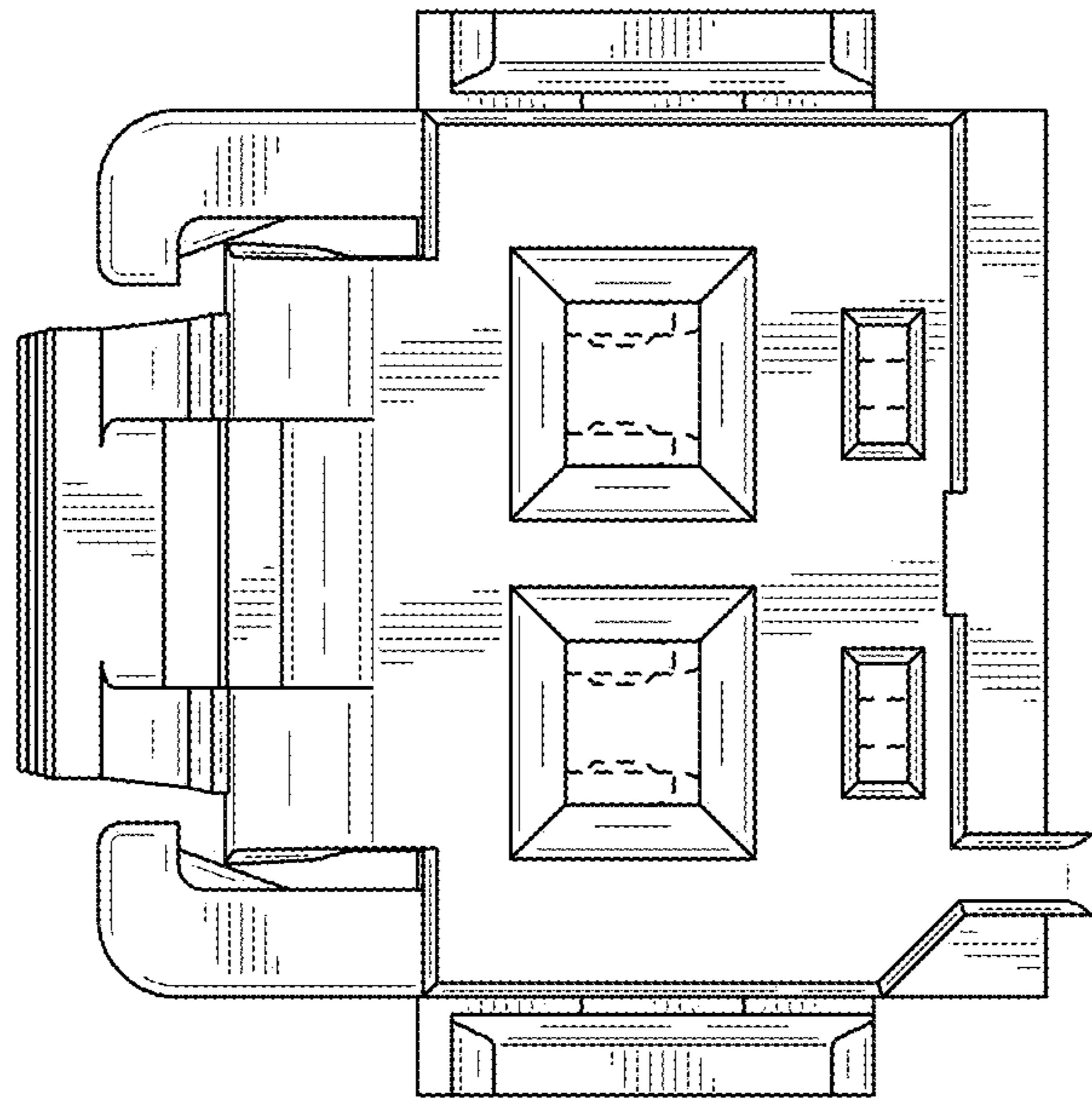


FIG. 13

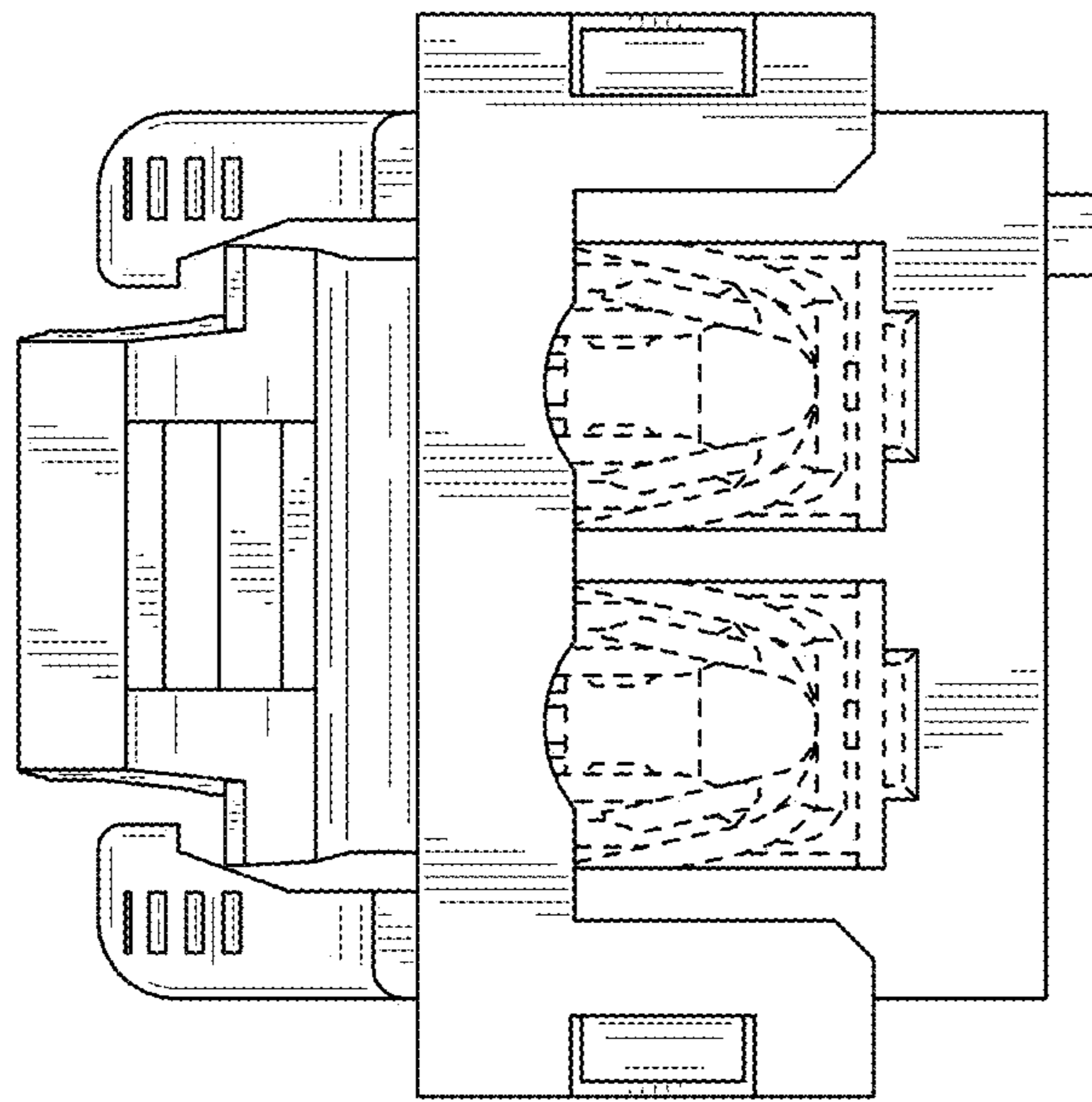


FIG. 12

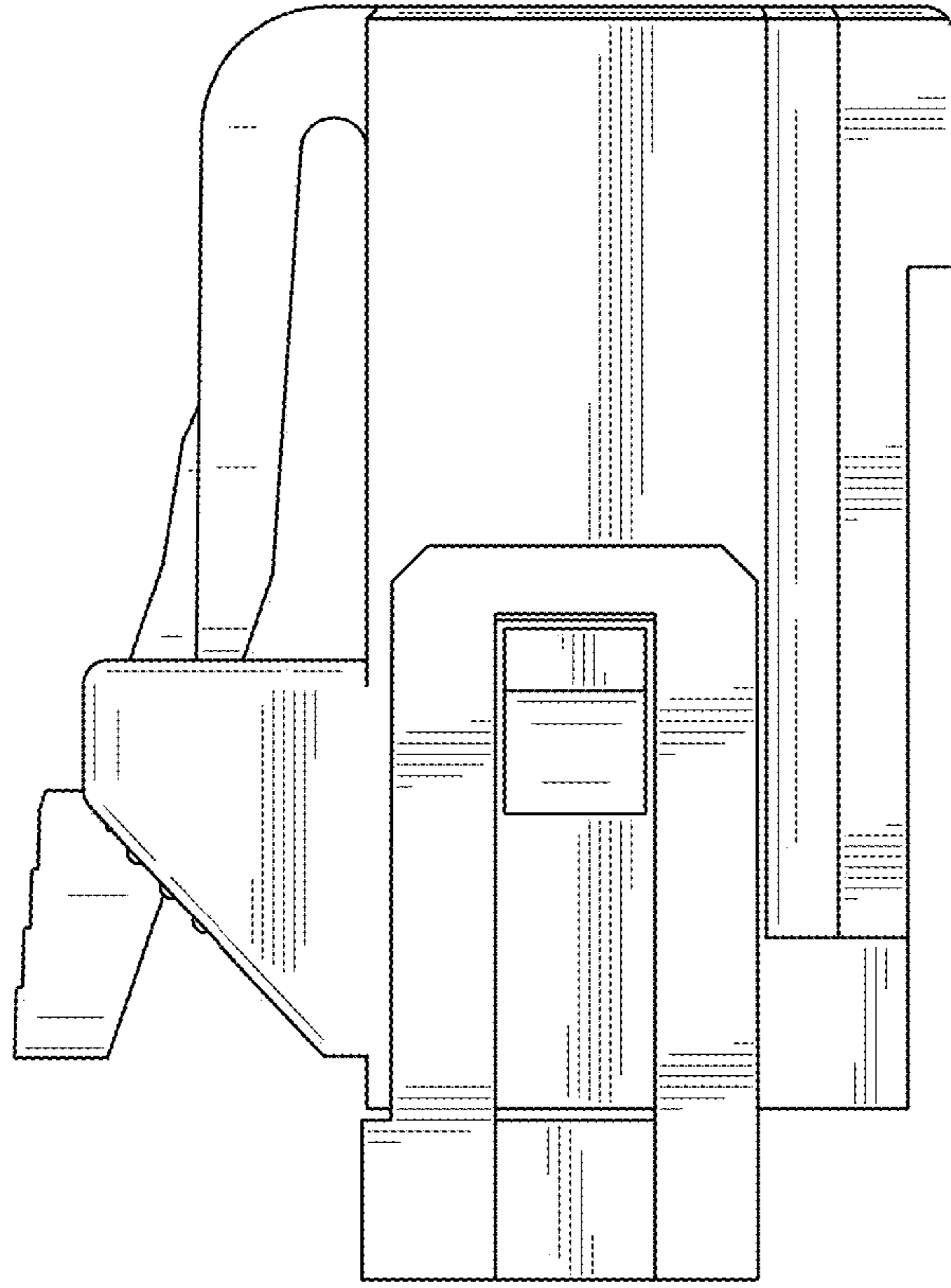


FIG. 15

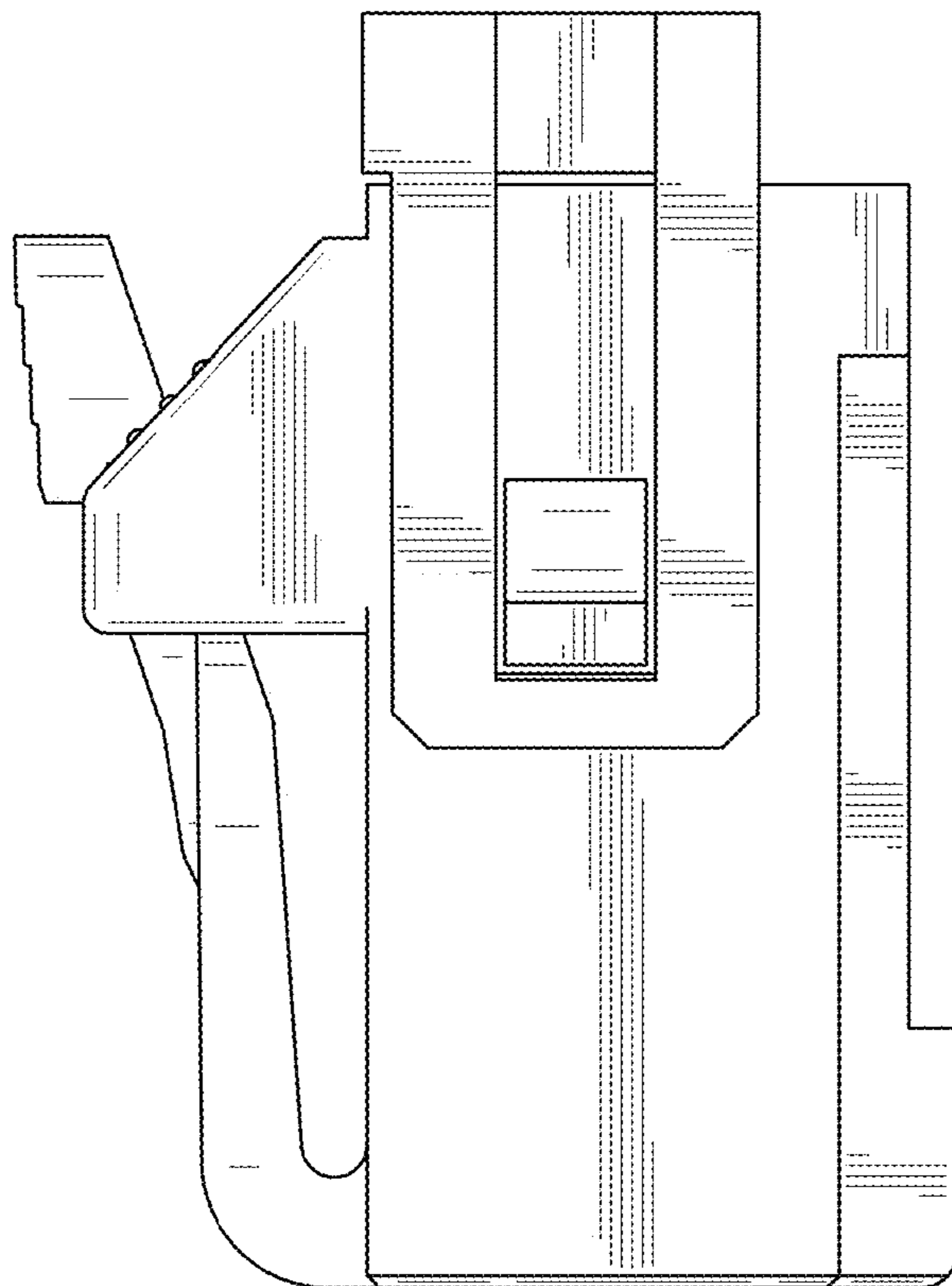


FIG. 14

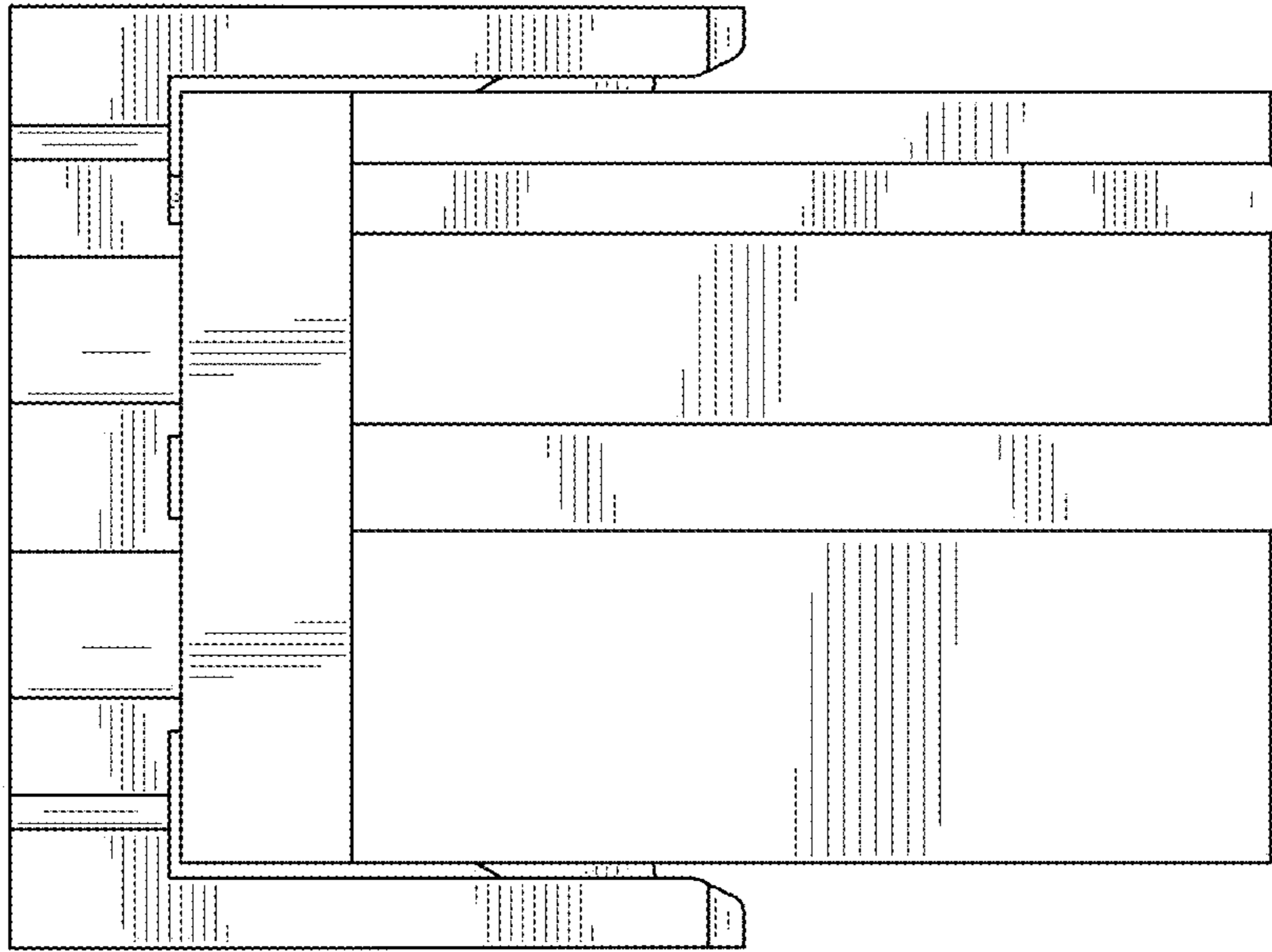


FIG. 17

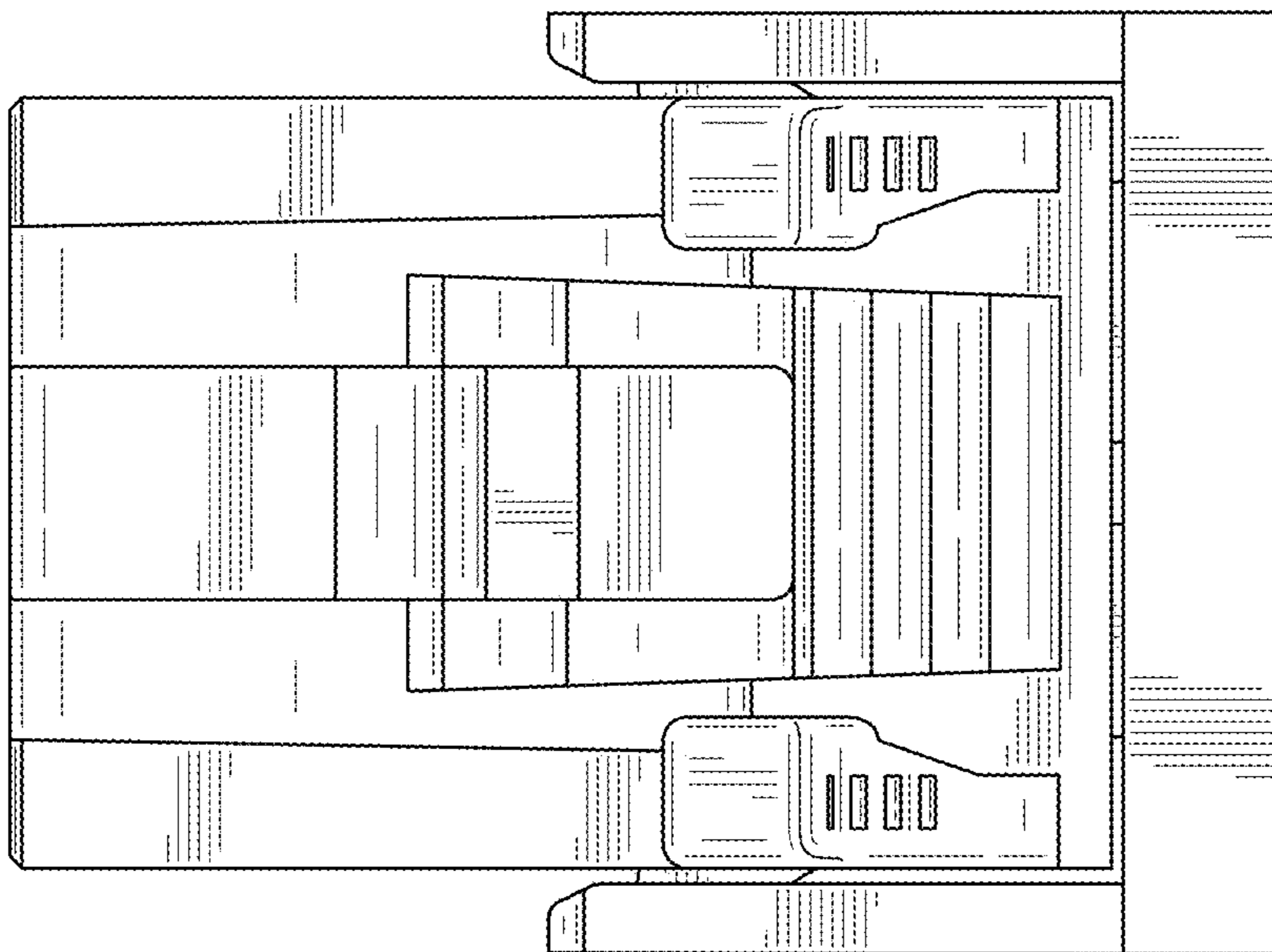


FIG. 16

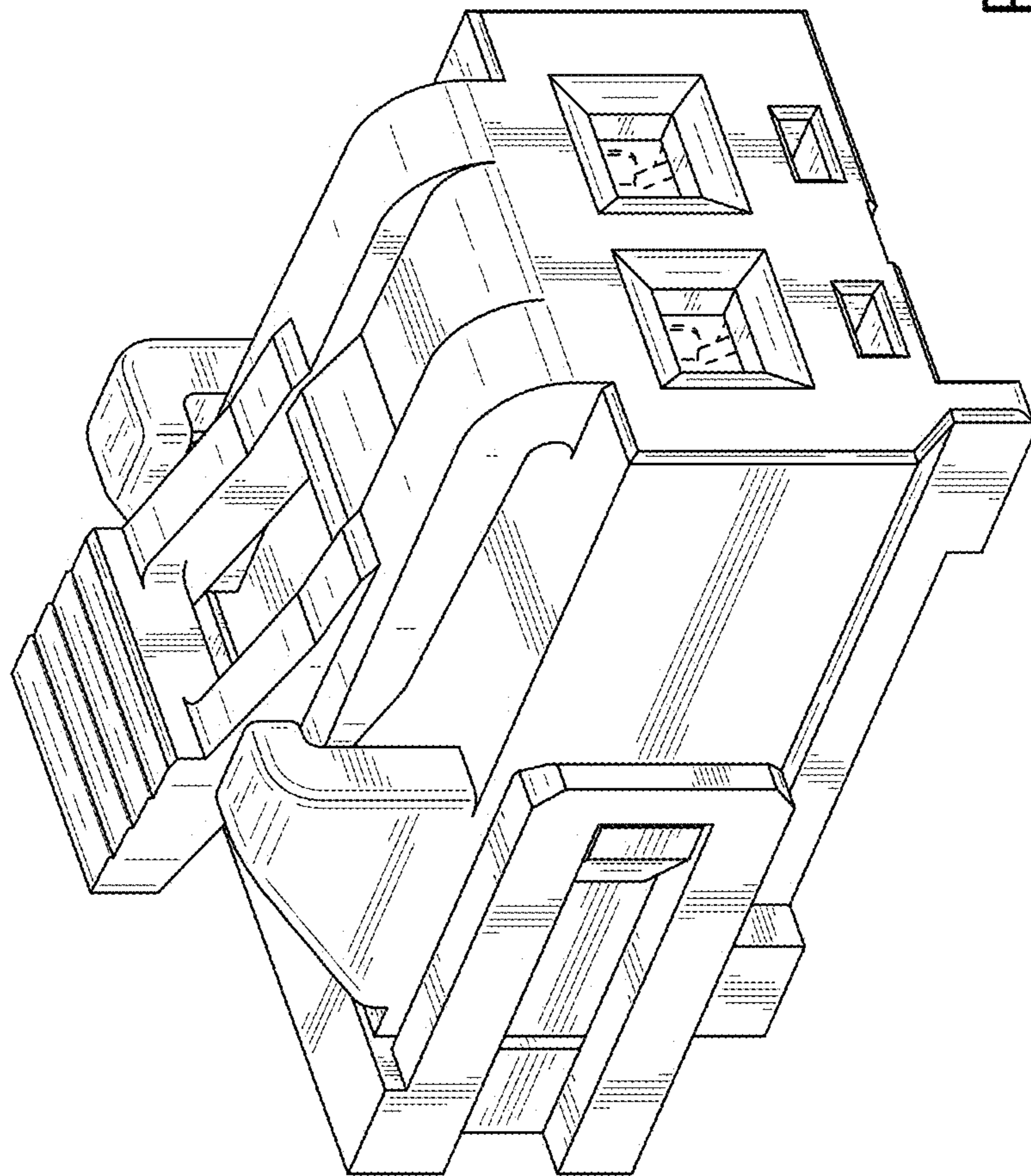


FIG. 18

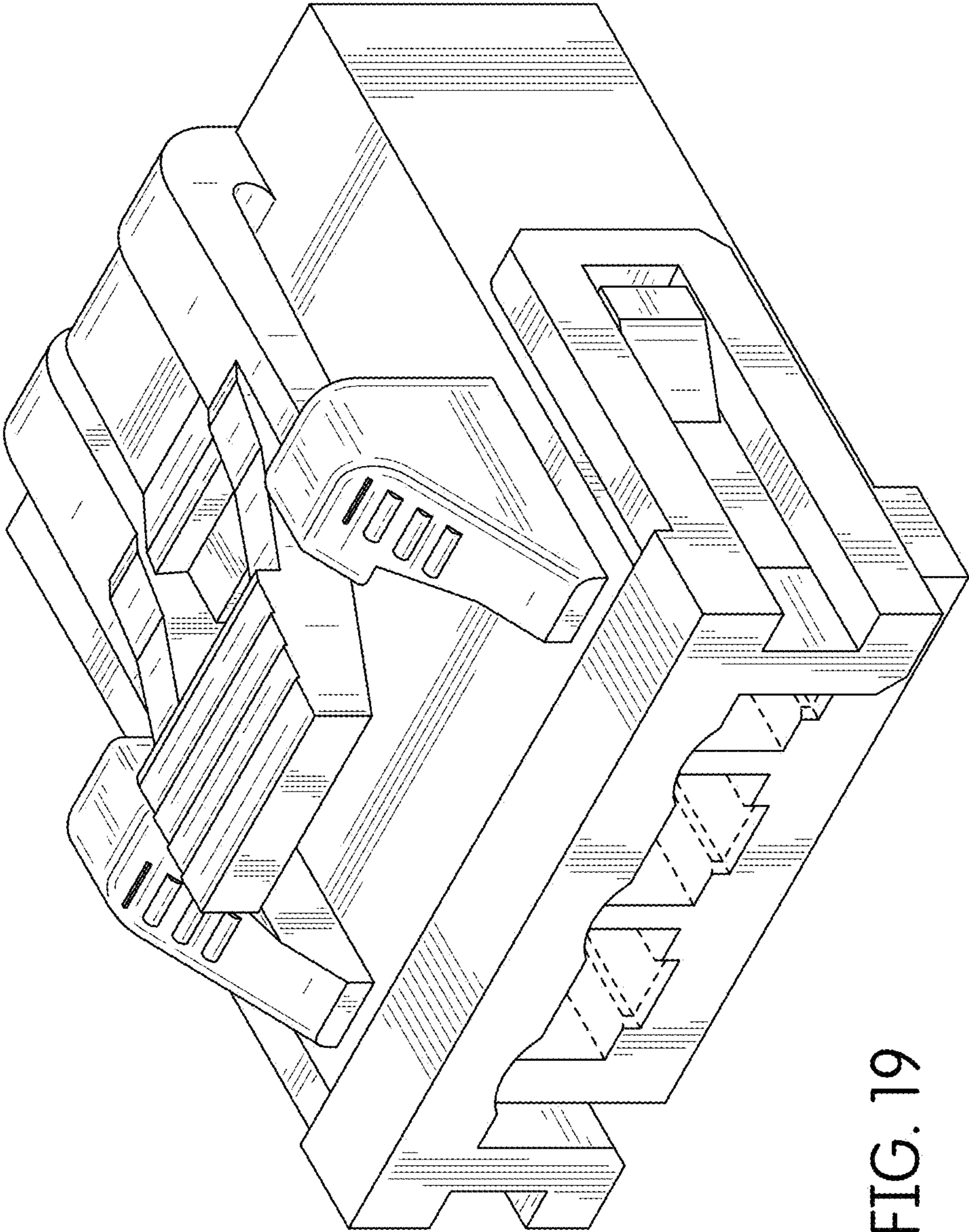


FIG. 19

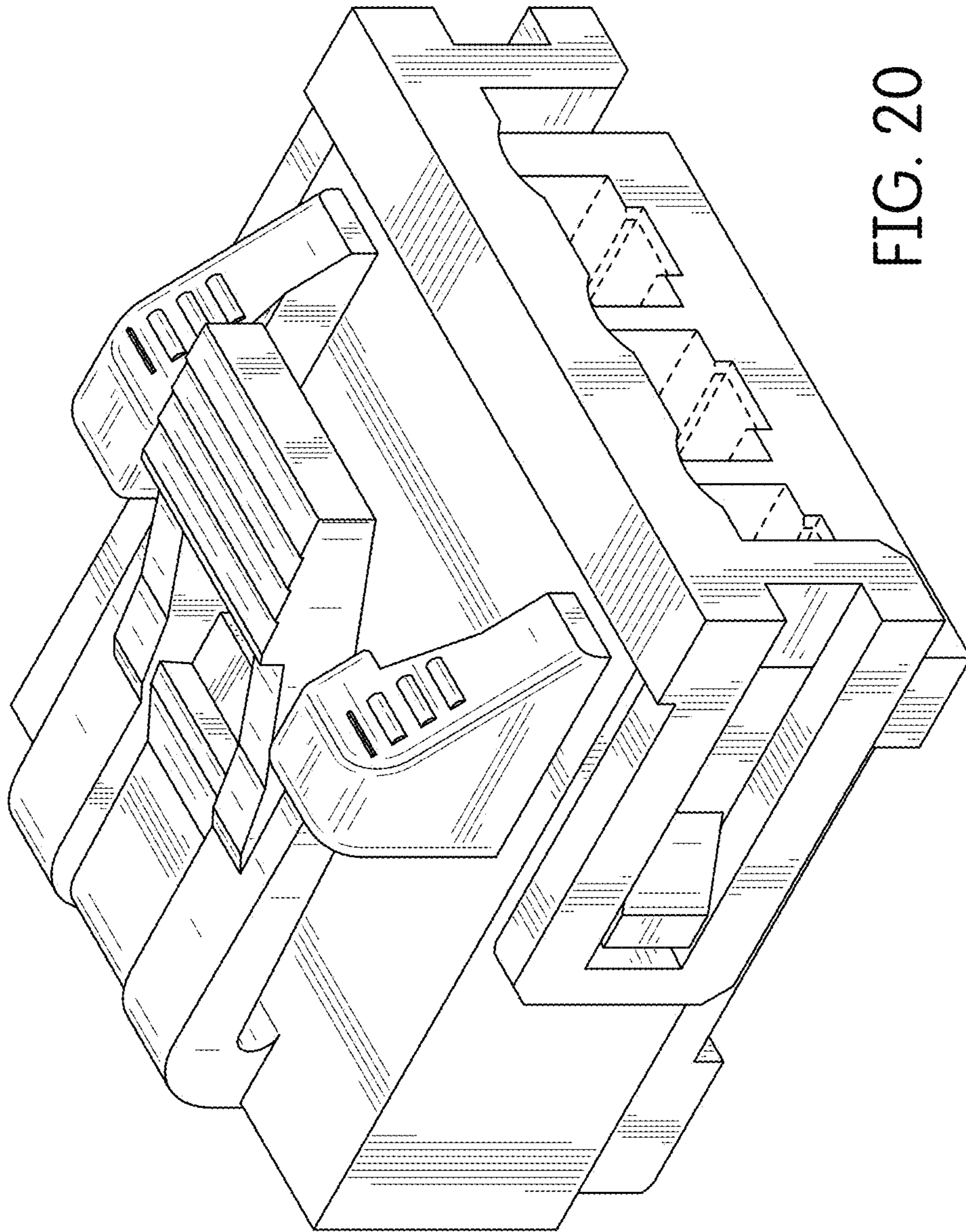


FIG. 20

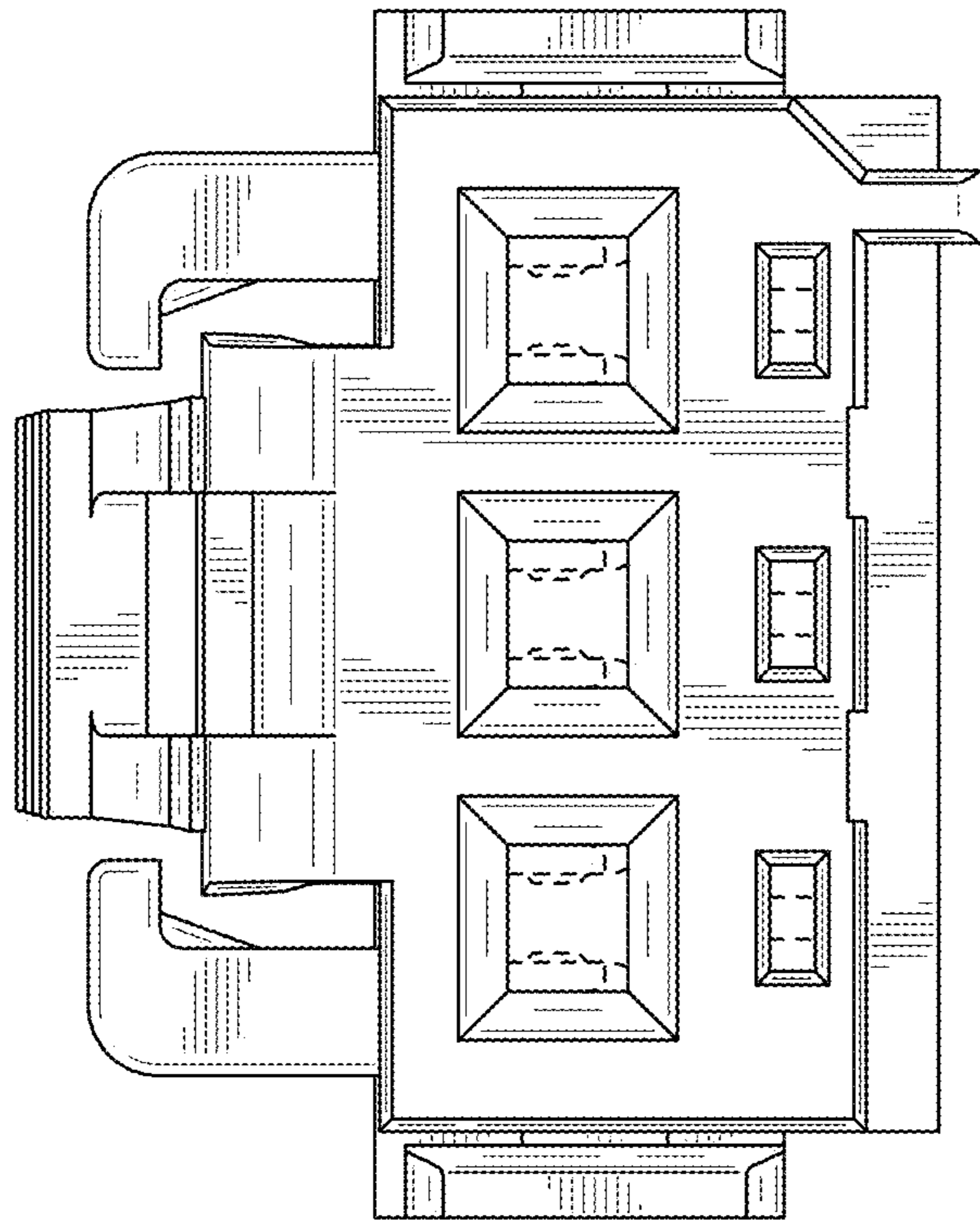


FIG. 21

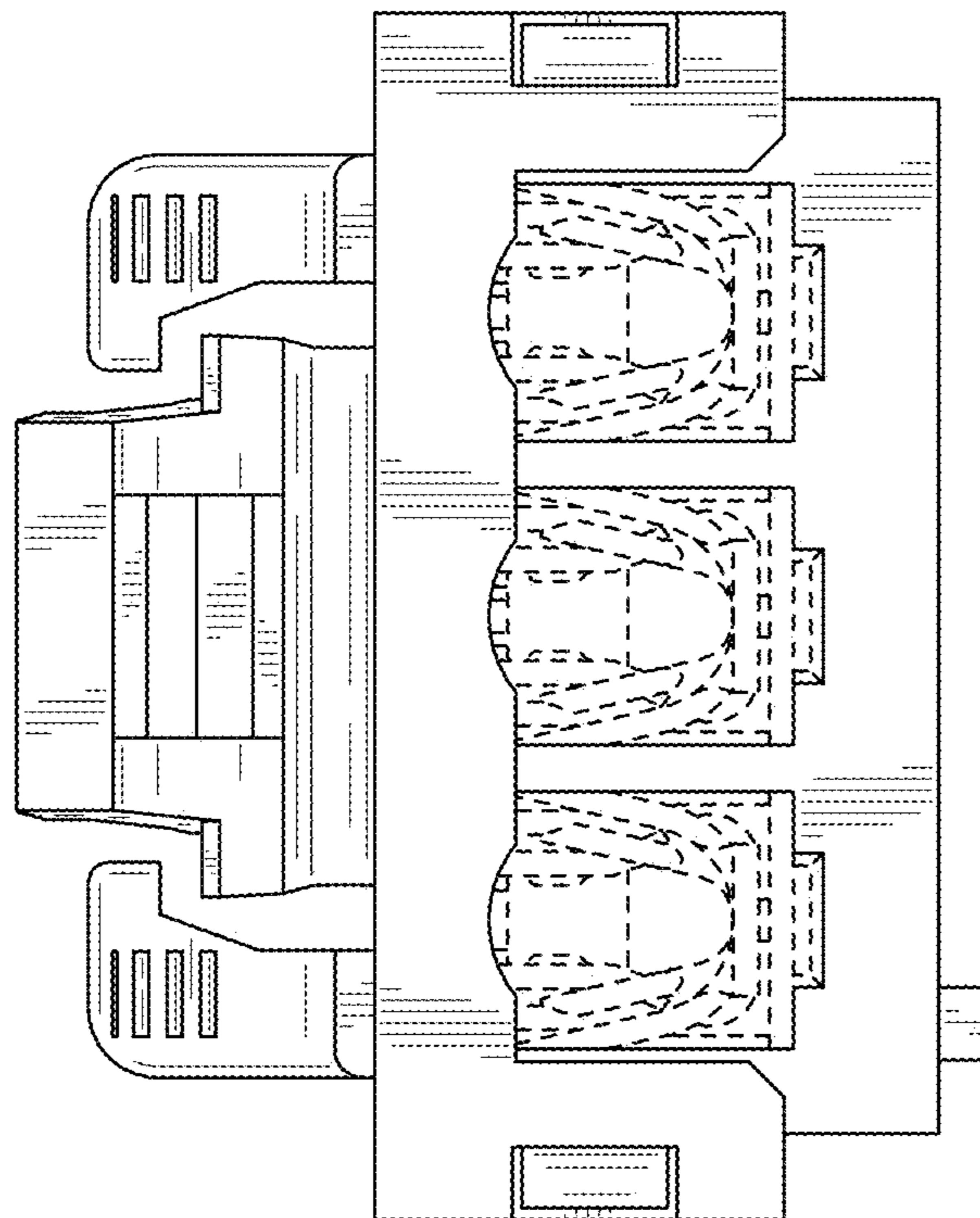


FIG. 22

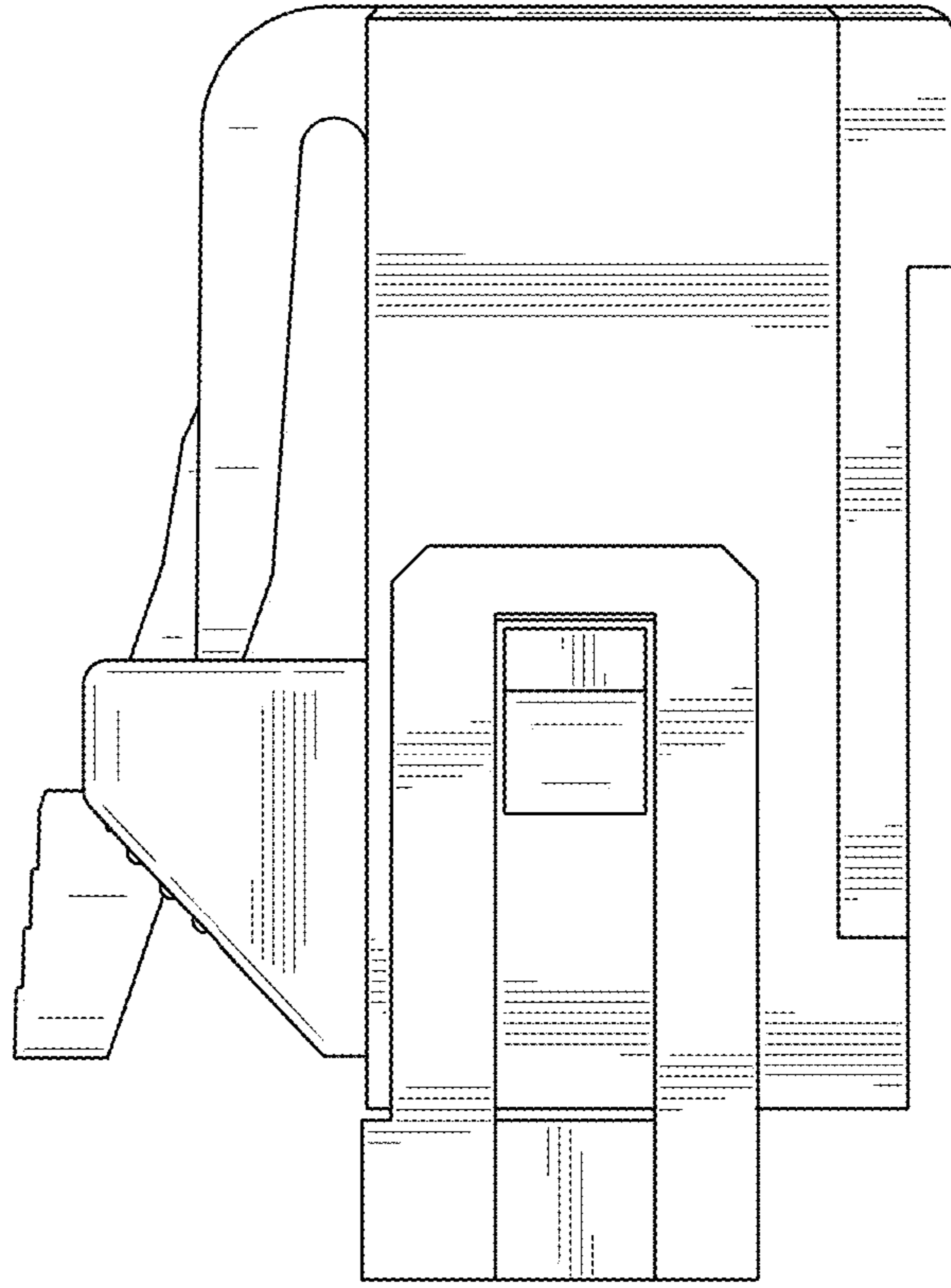


FIG. 24

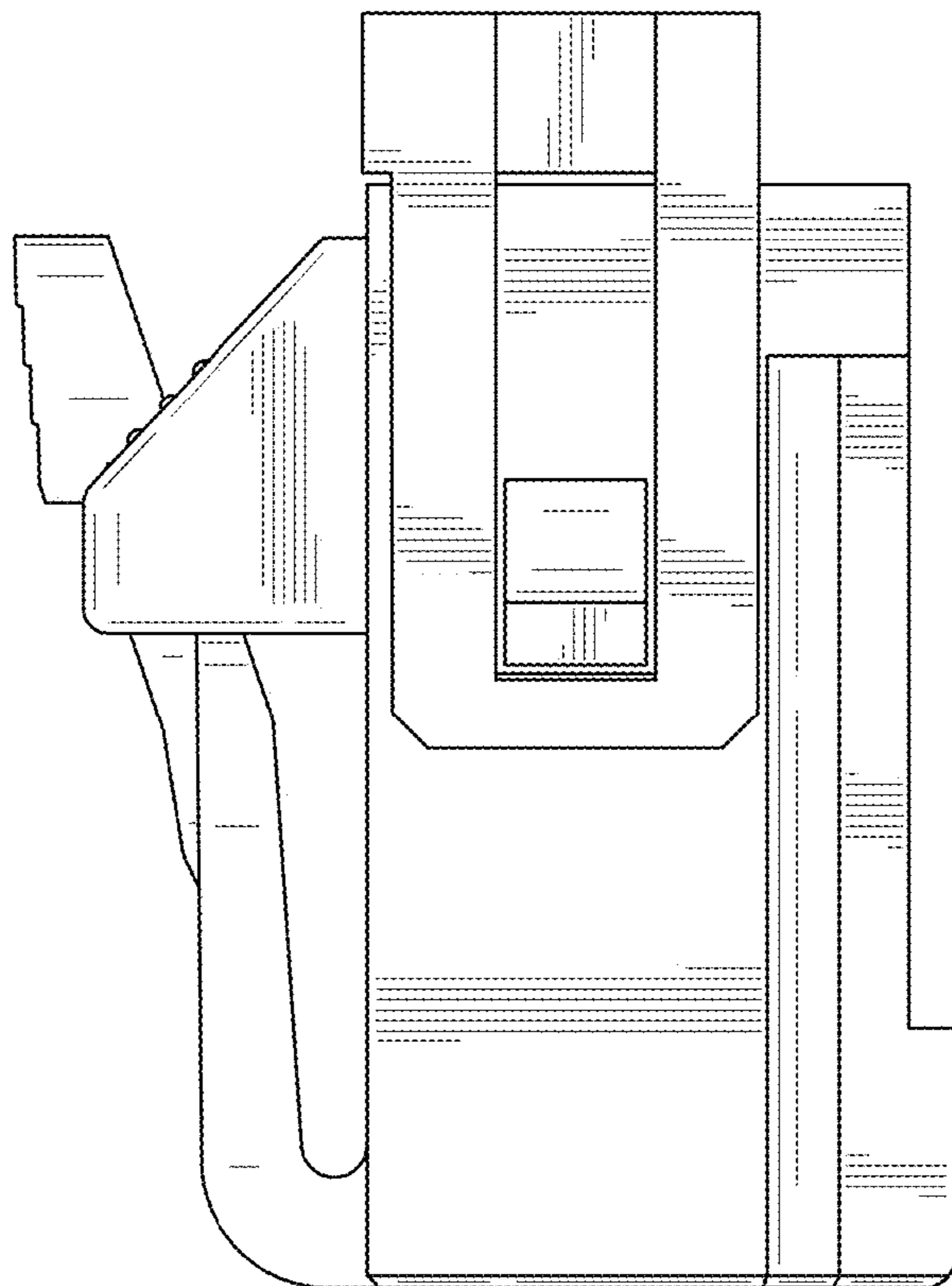


FIG. 23

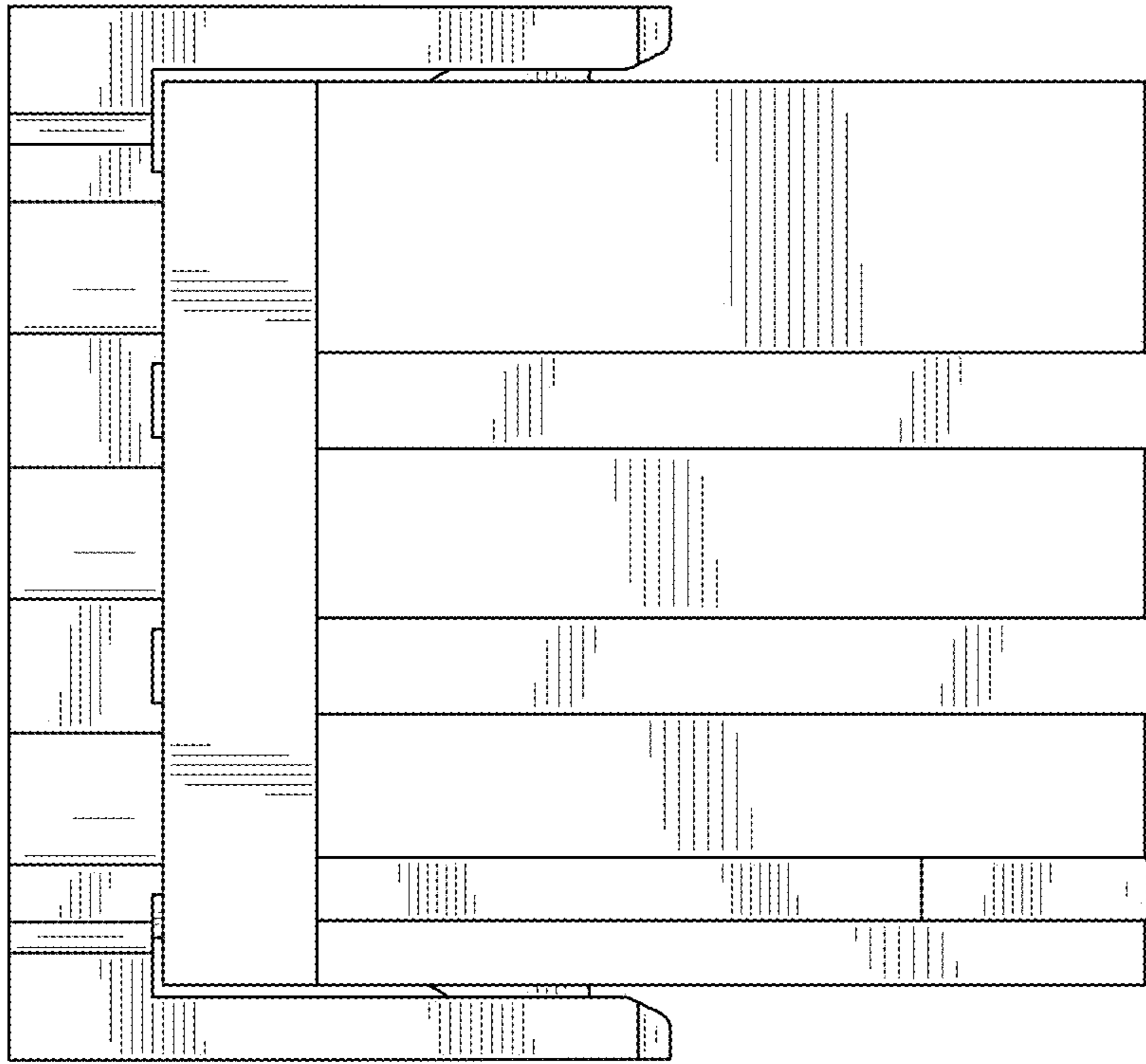


FIG. 25

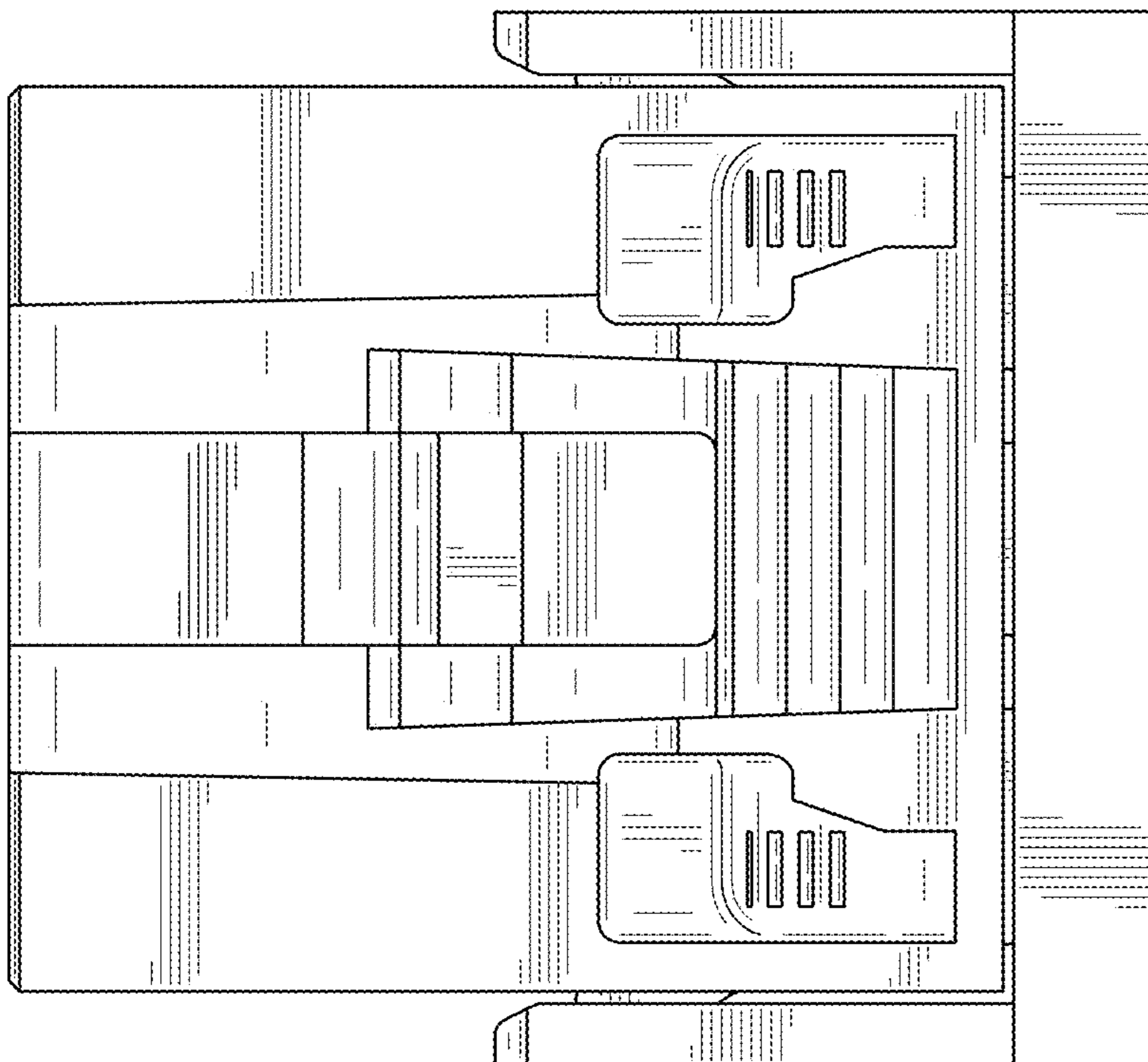


FIG. 26

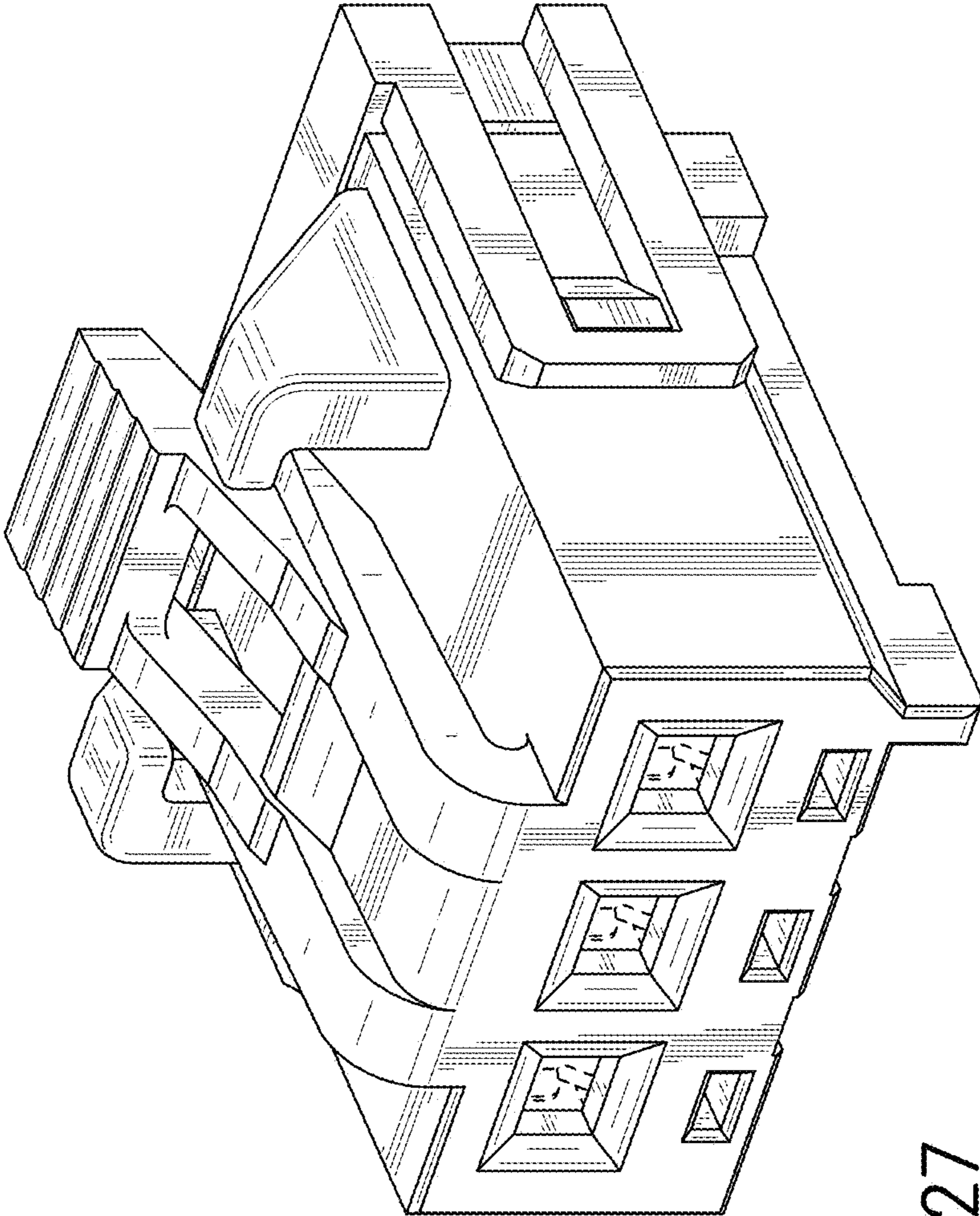


FIG. 27

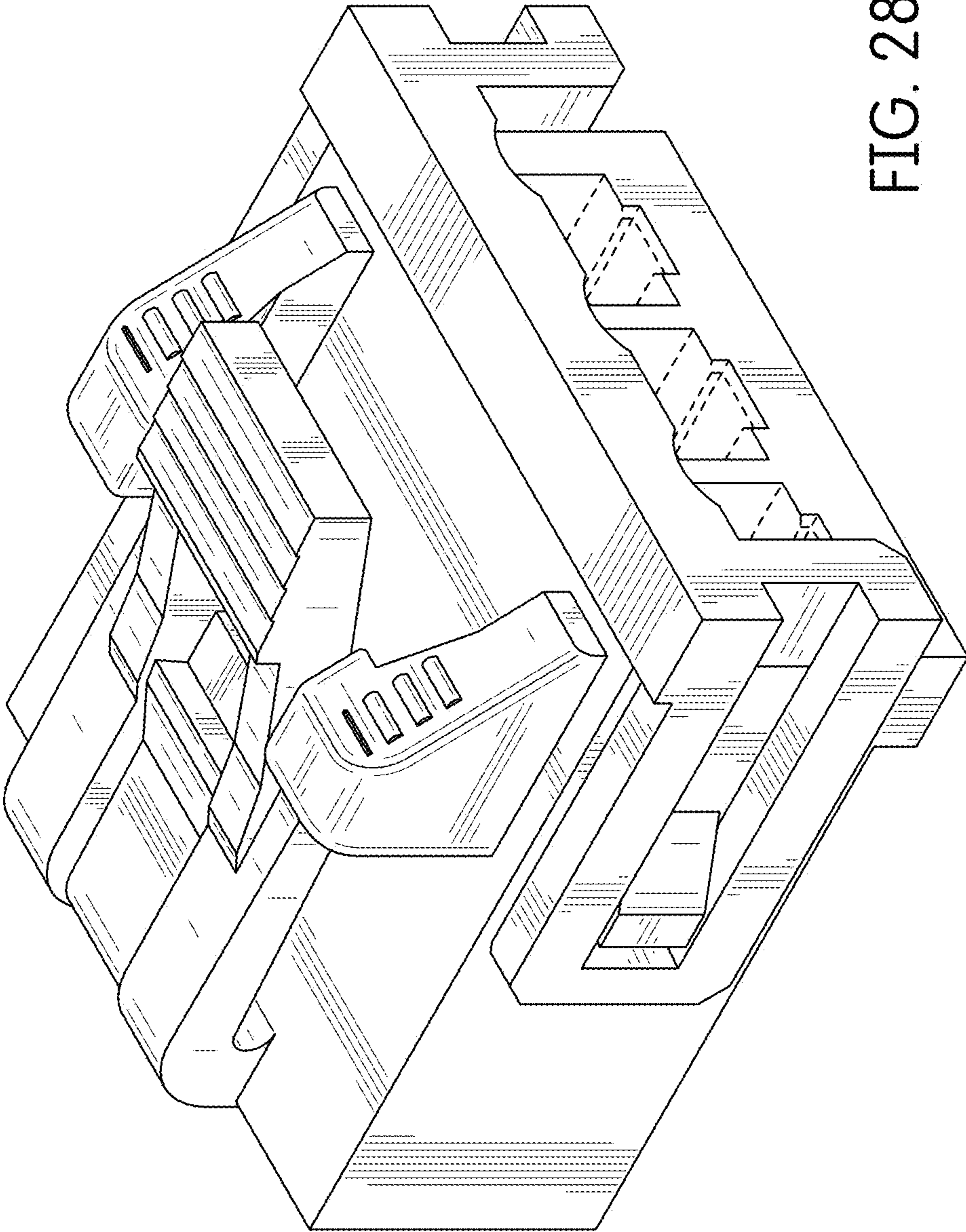


FIG. 28

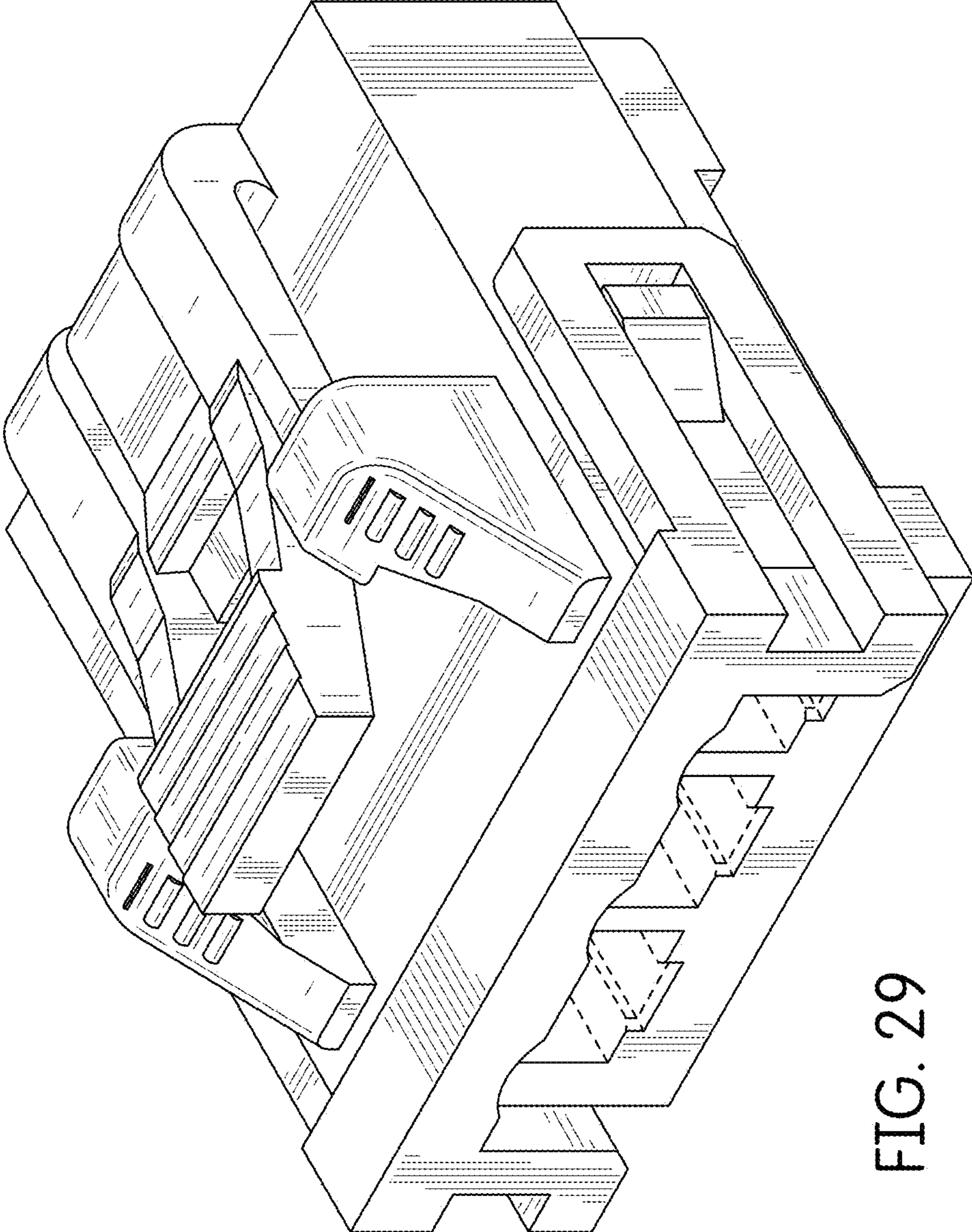


FIG. 29

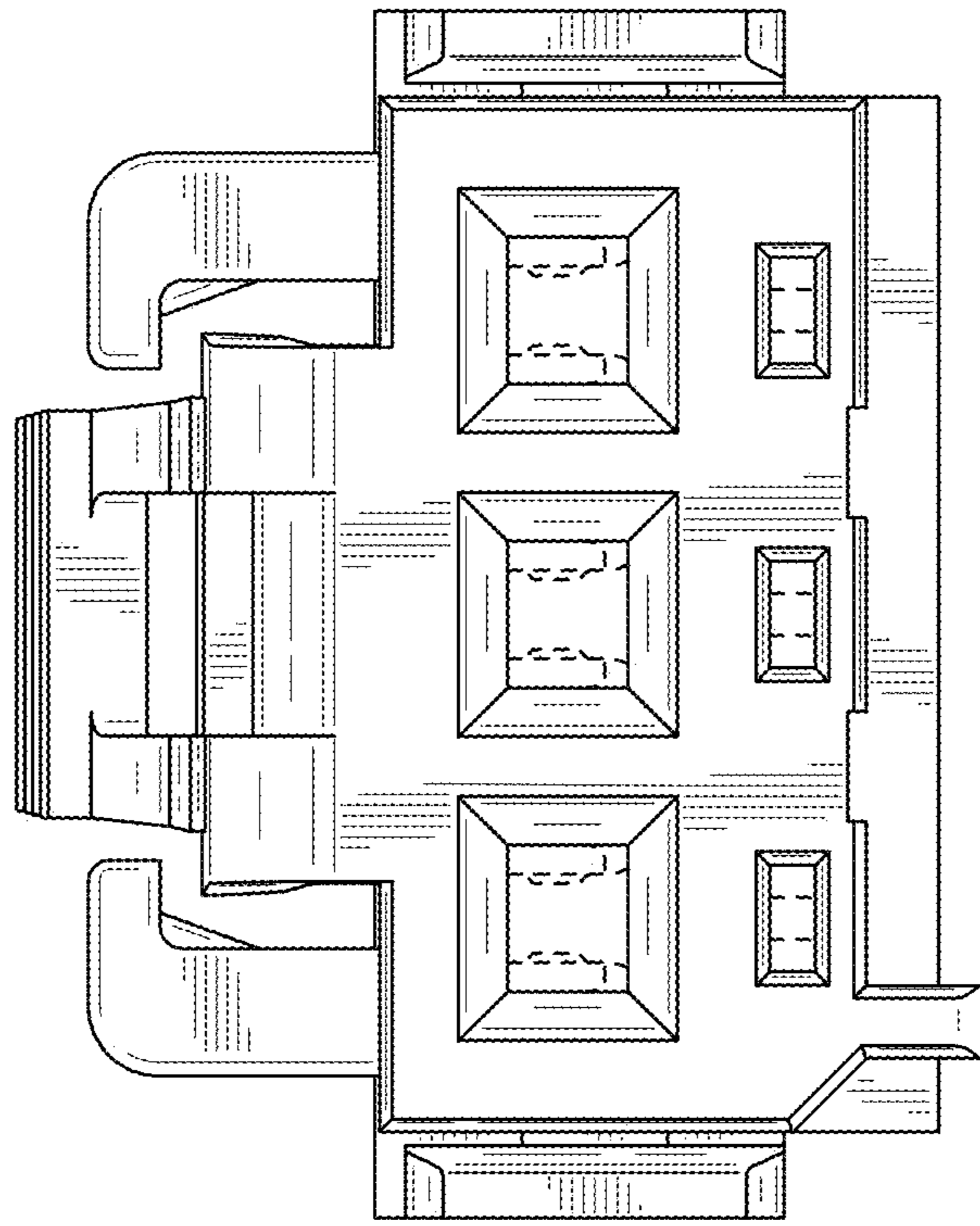


FIG. 31

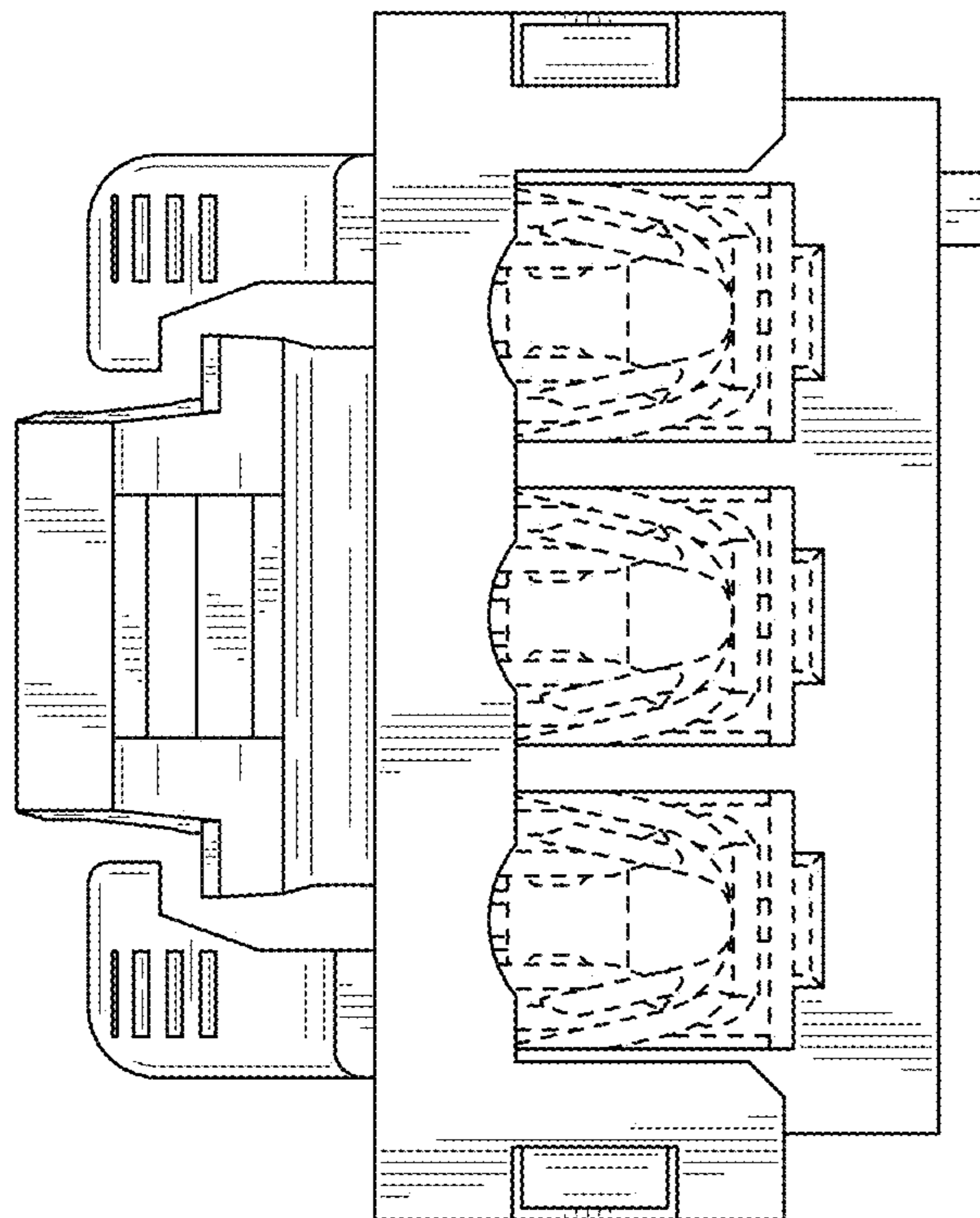


FIG. 30

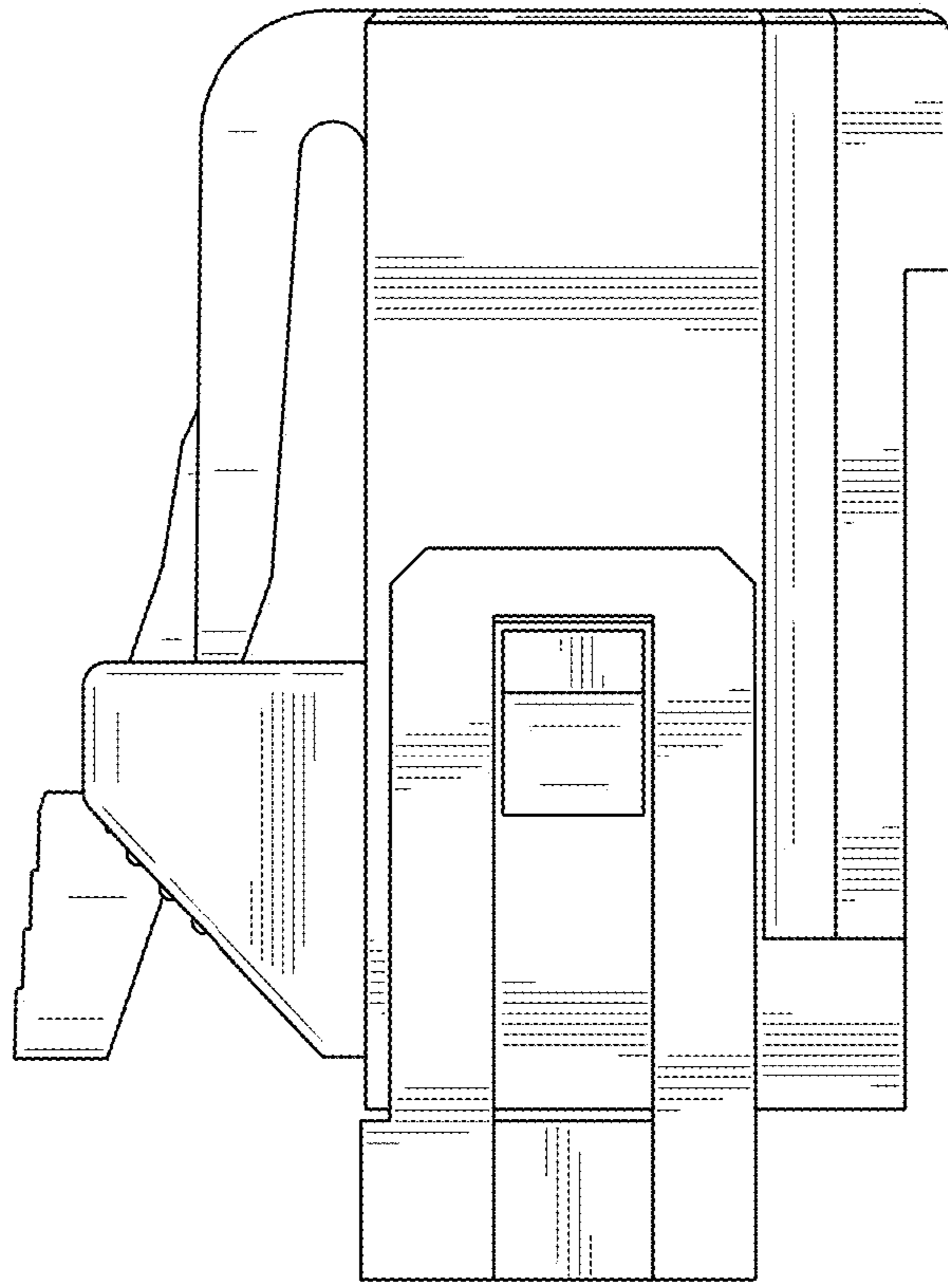


FIG. 33

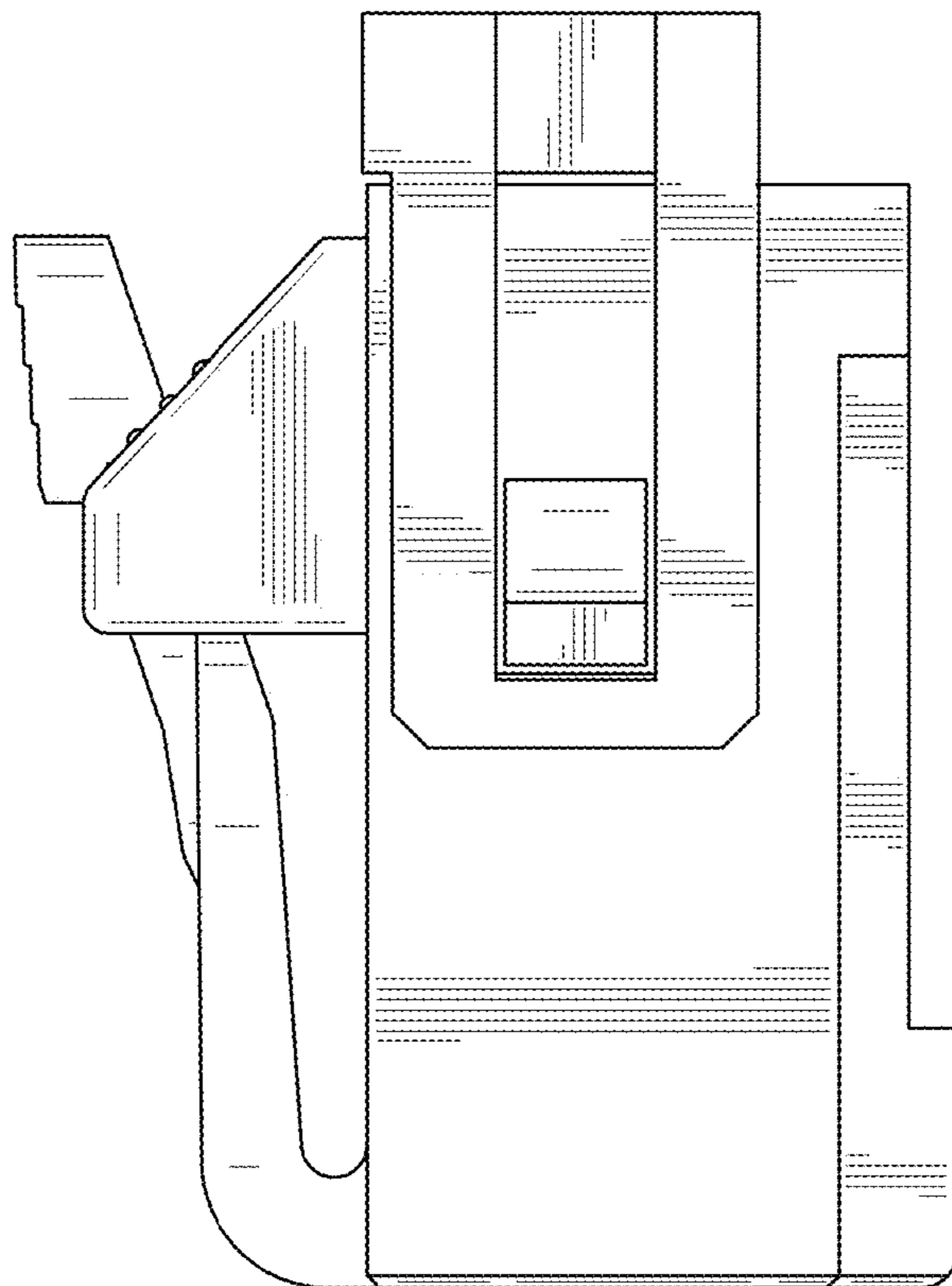


FIG. 32

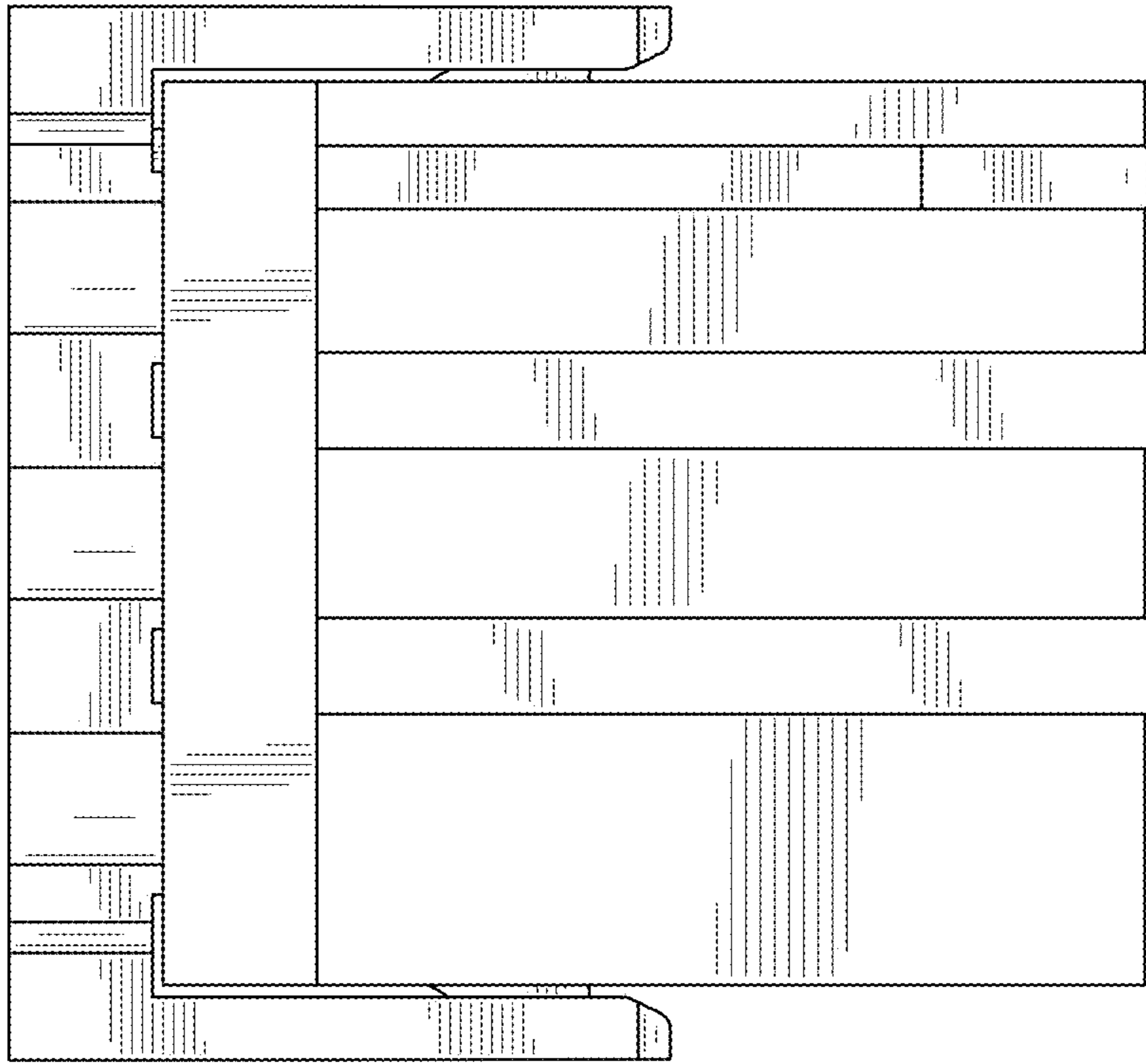


FIG. 35

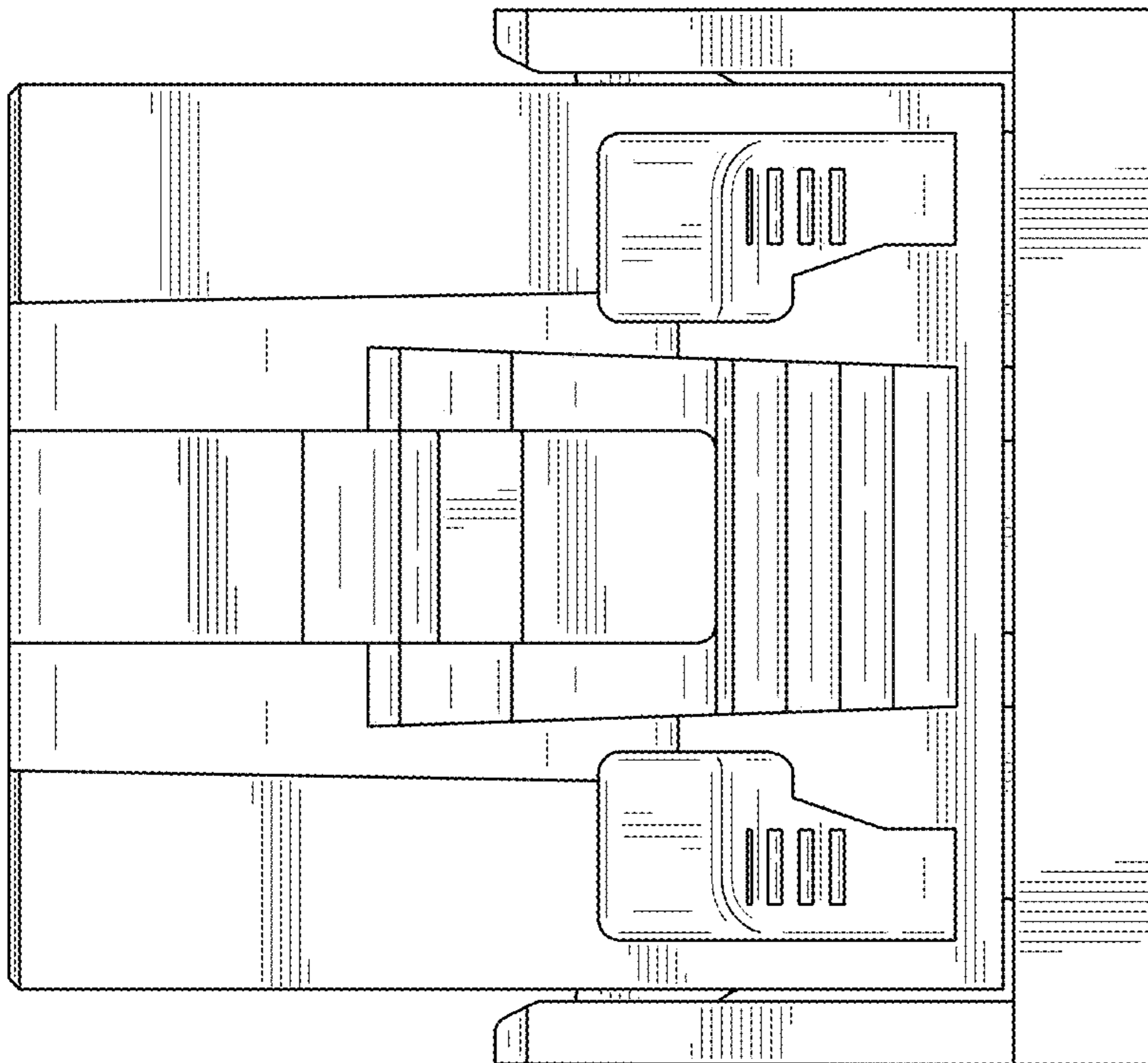


FIG. 34

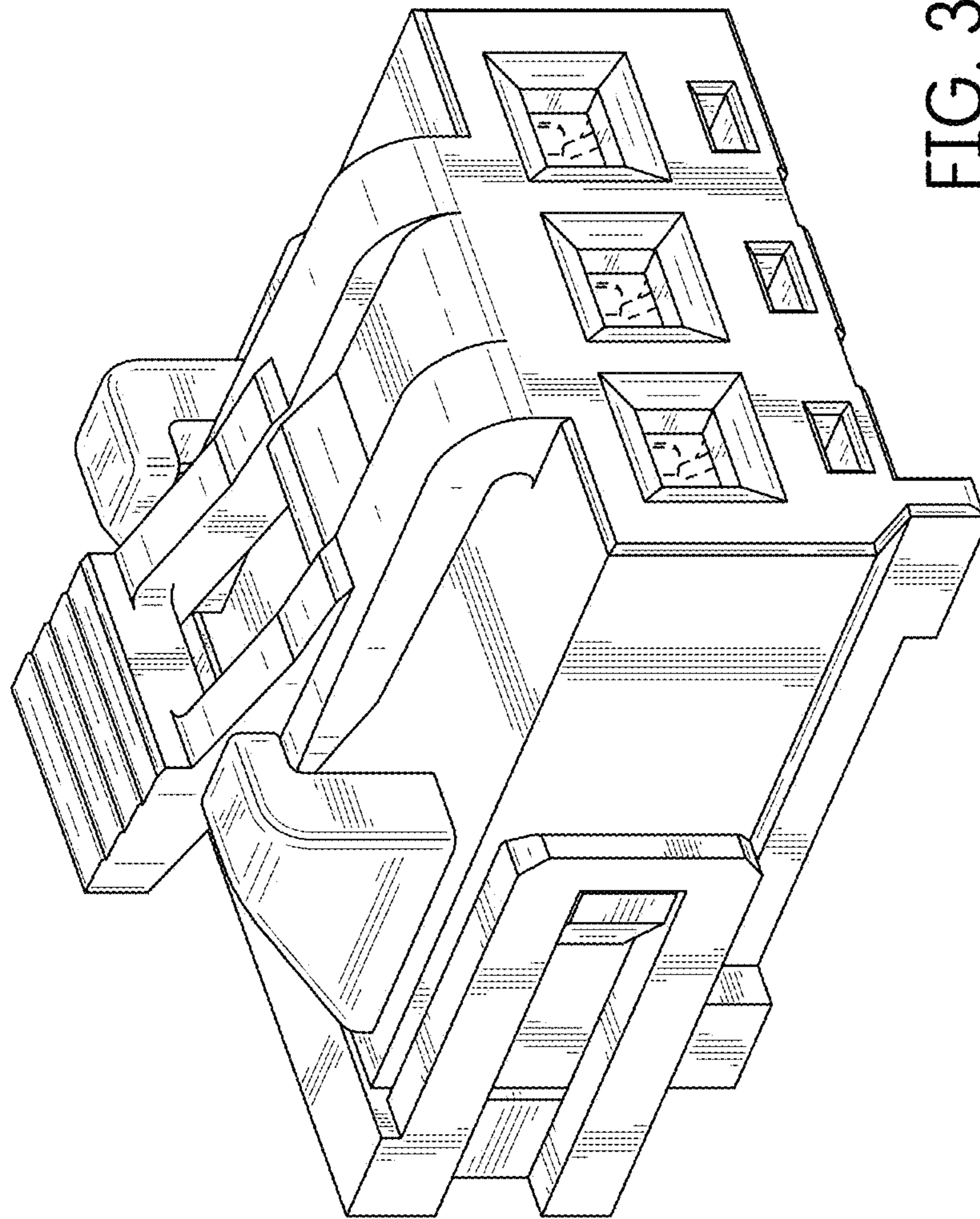


FIG. 36

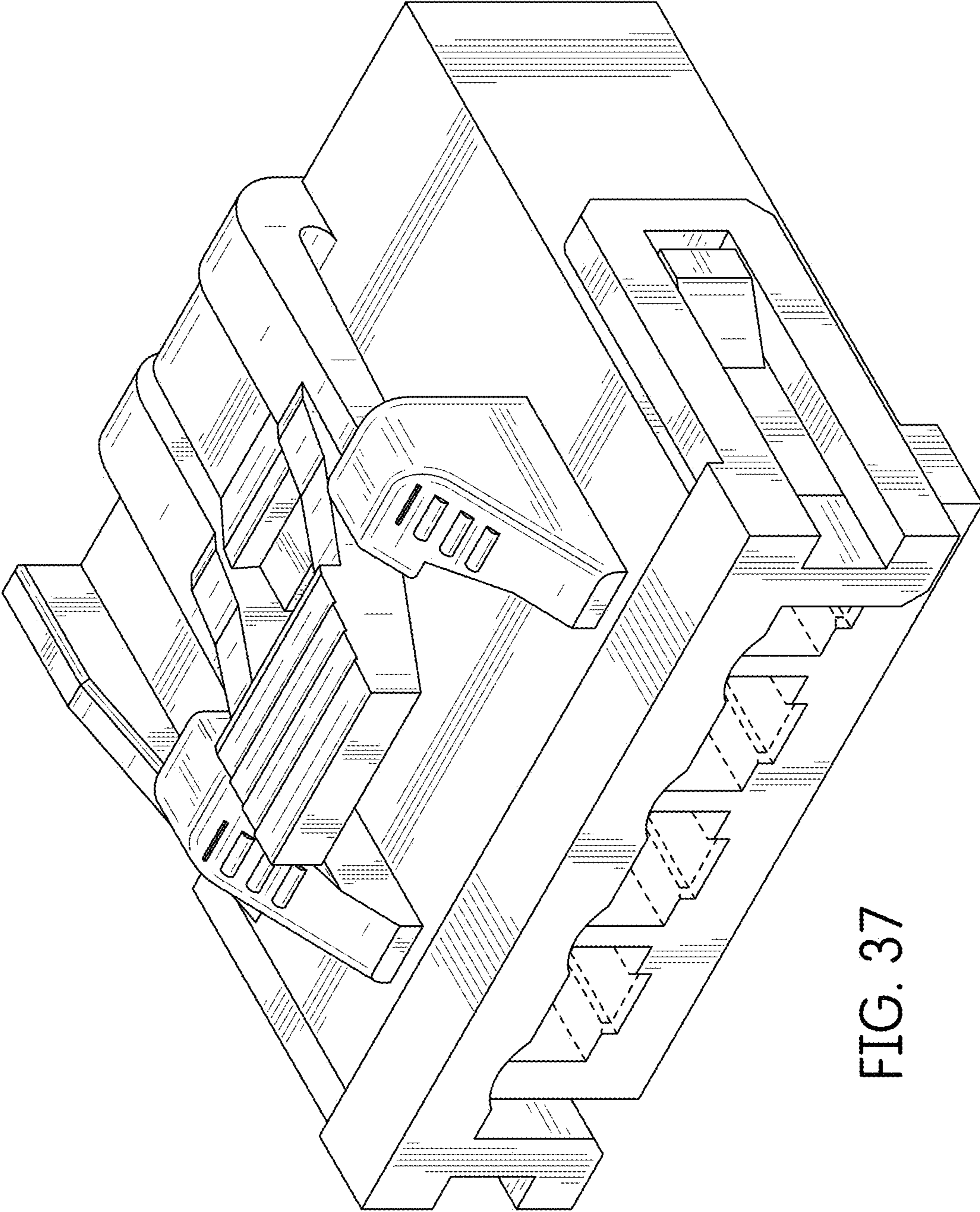


FIG. 37

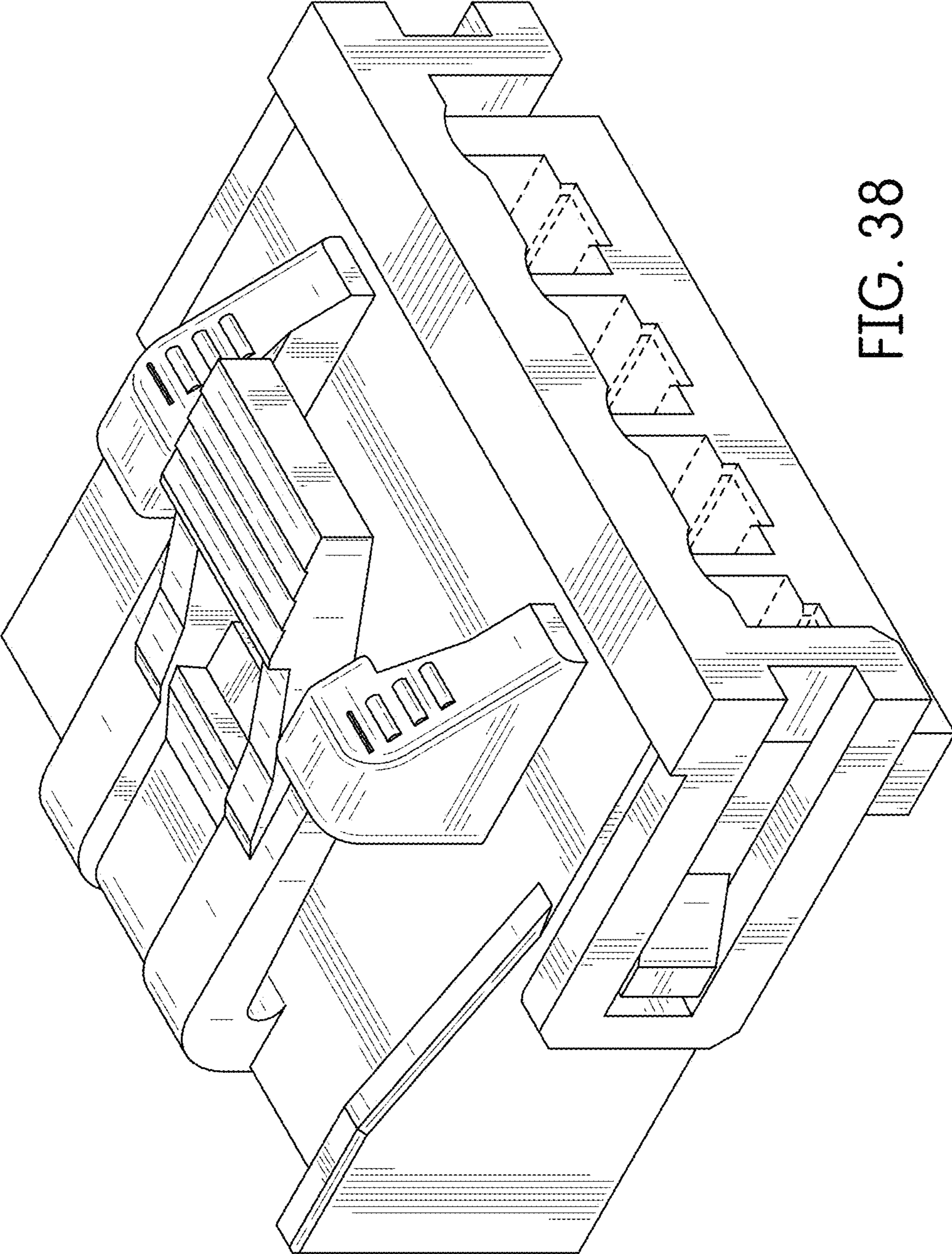


FIG. 38

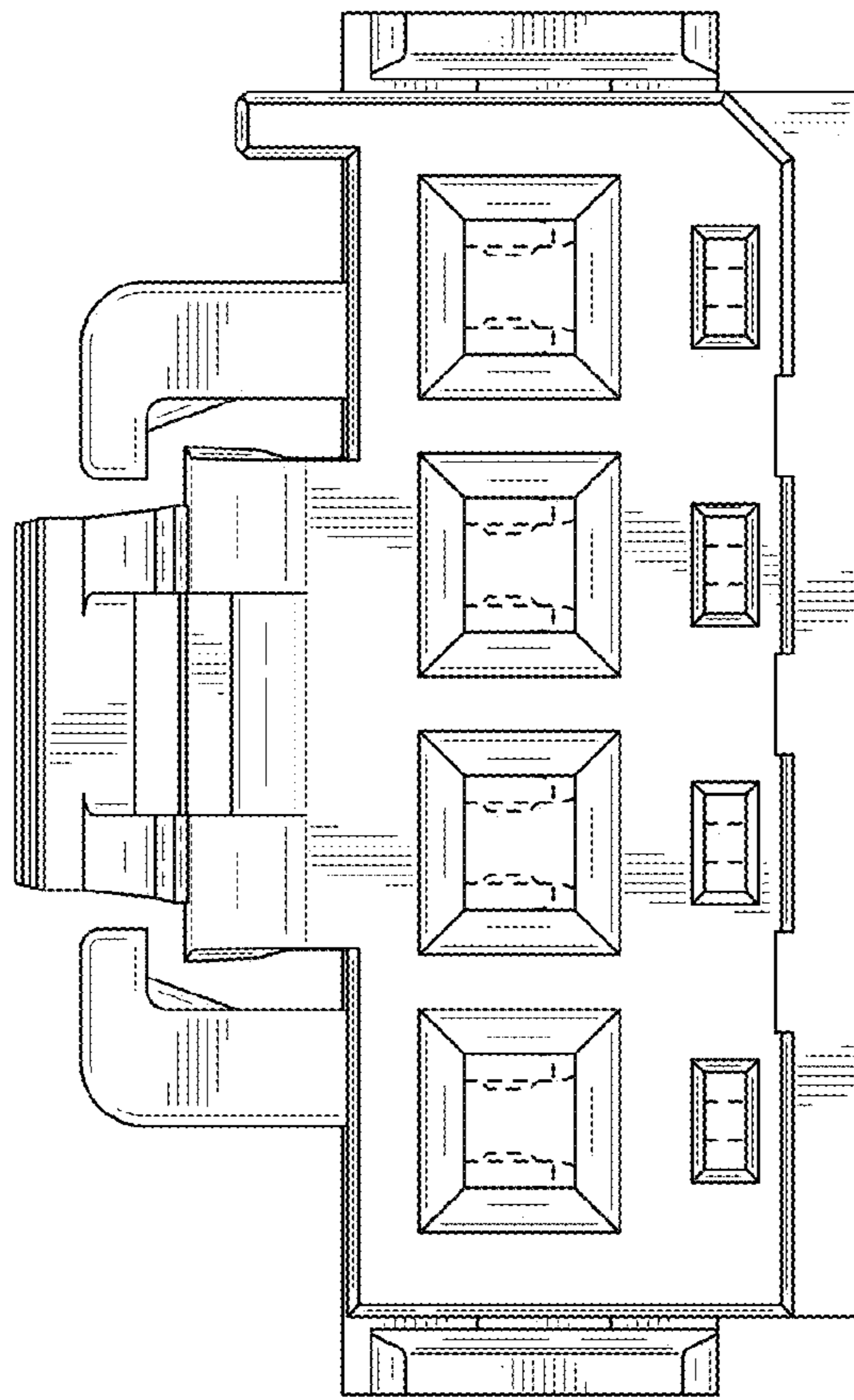


FIG. 40

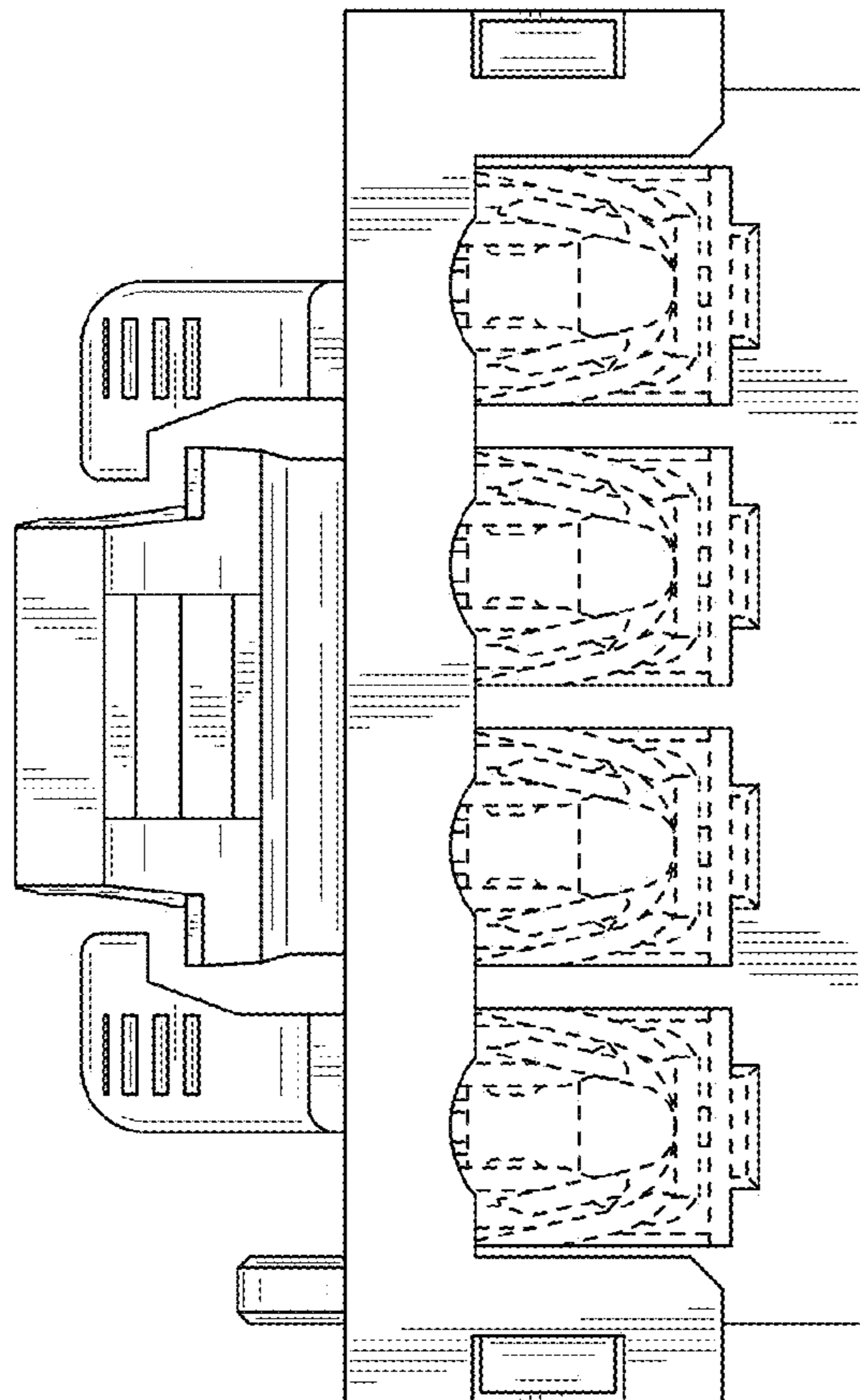


FIG. 39

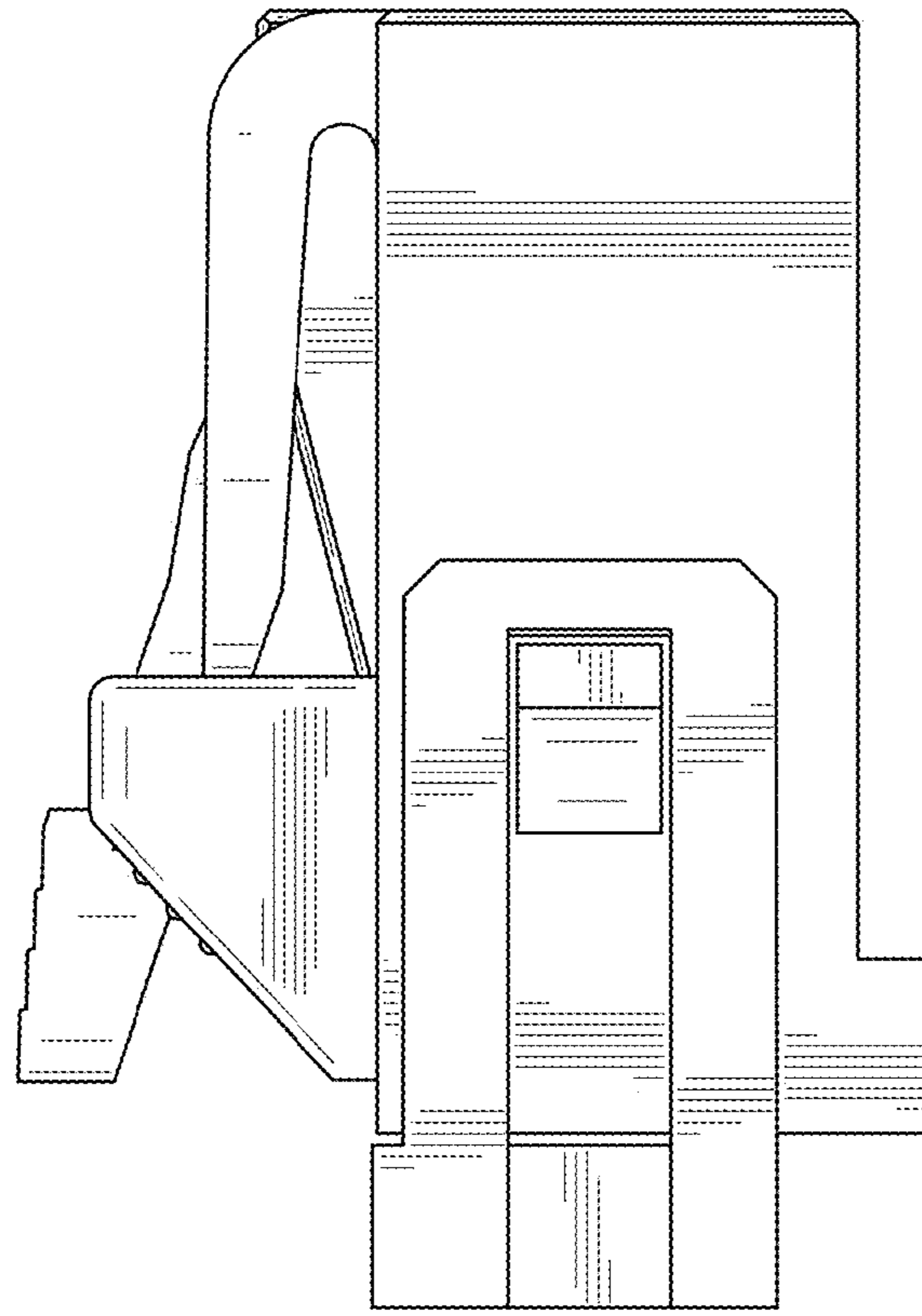


FIG. 42

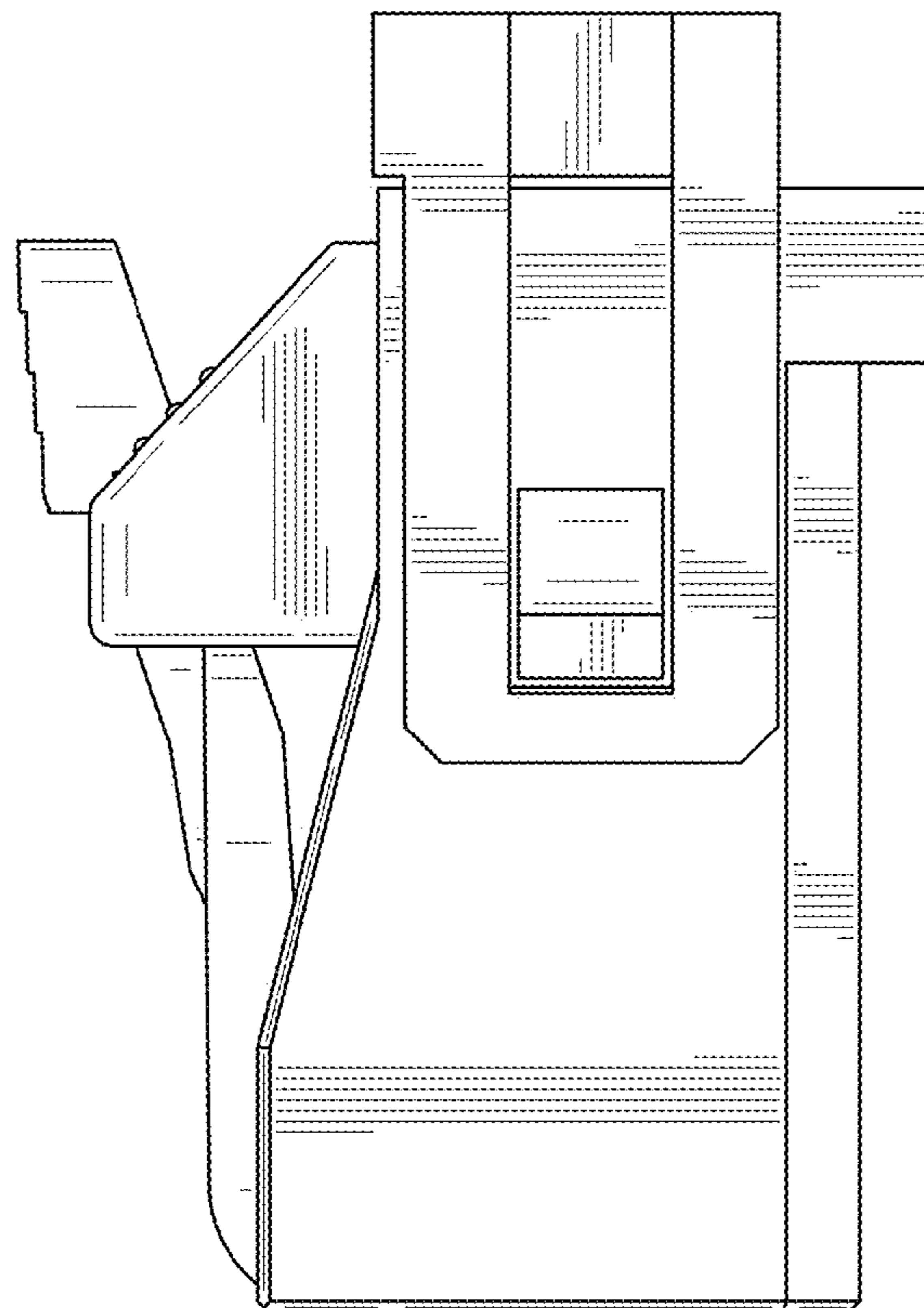


FIG. 41

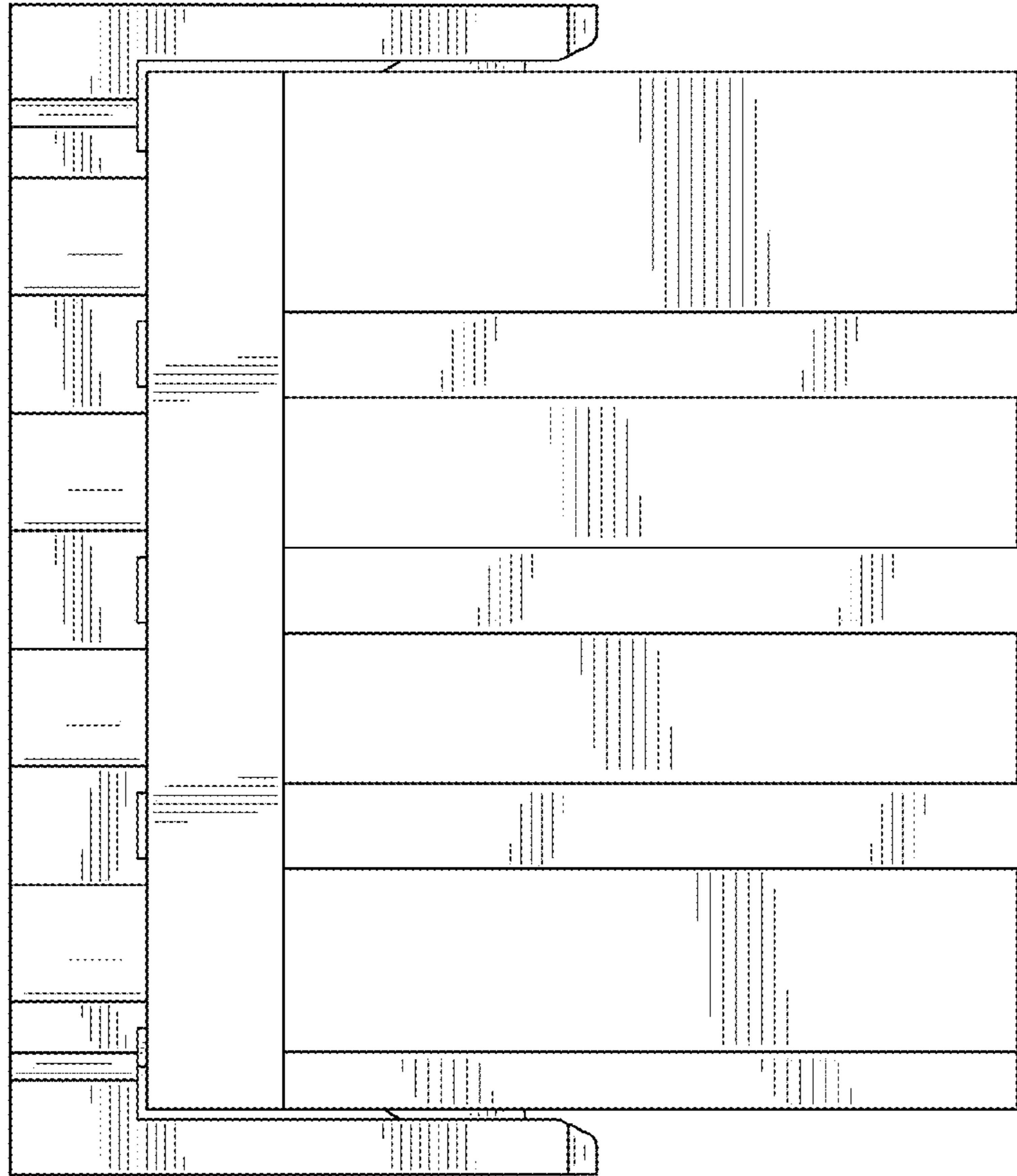


FIG. 44

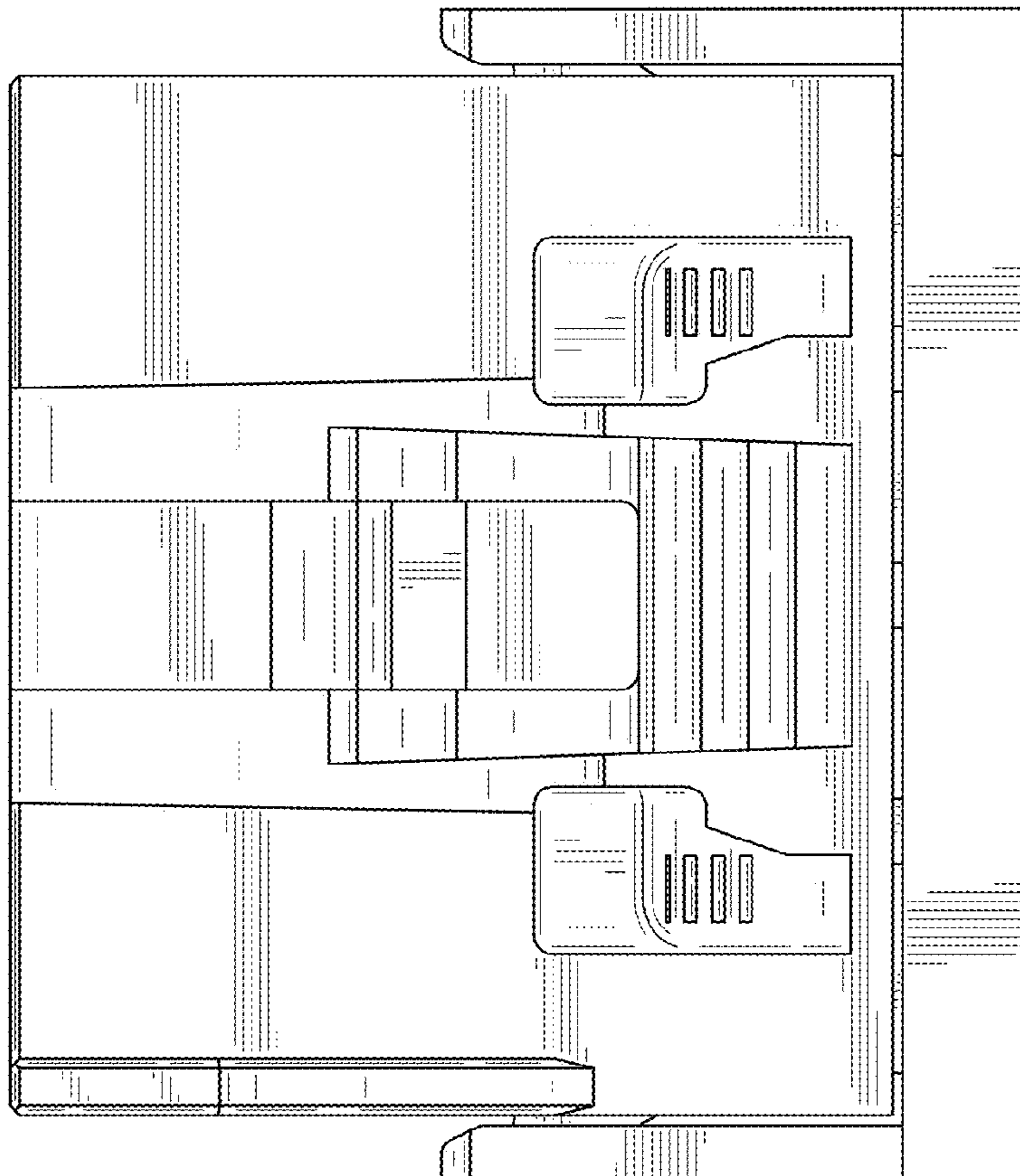


FIG. 43

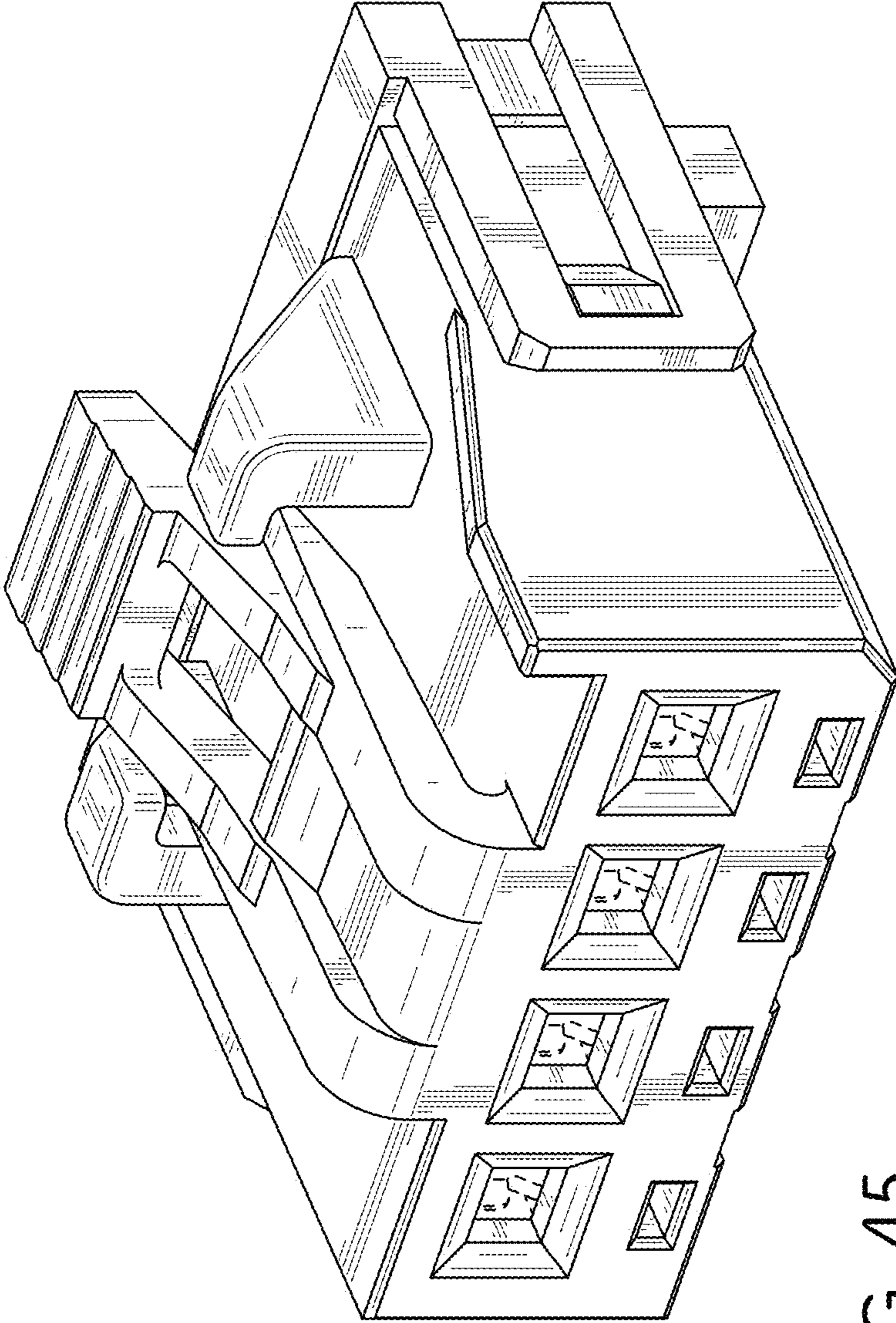


FIG. 45

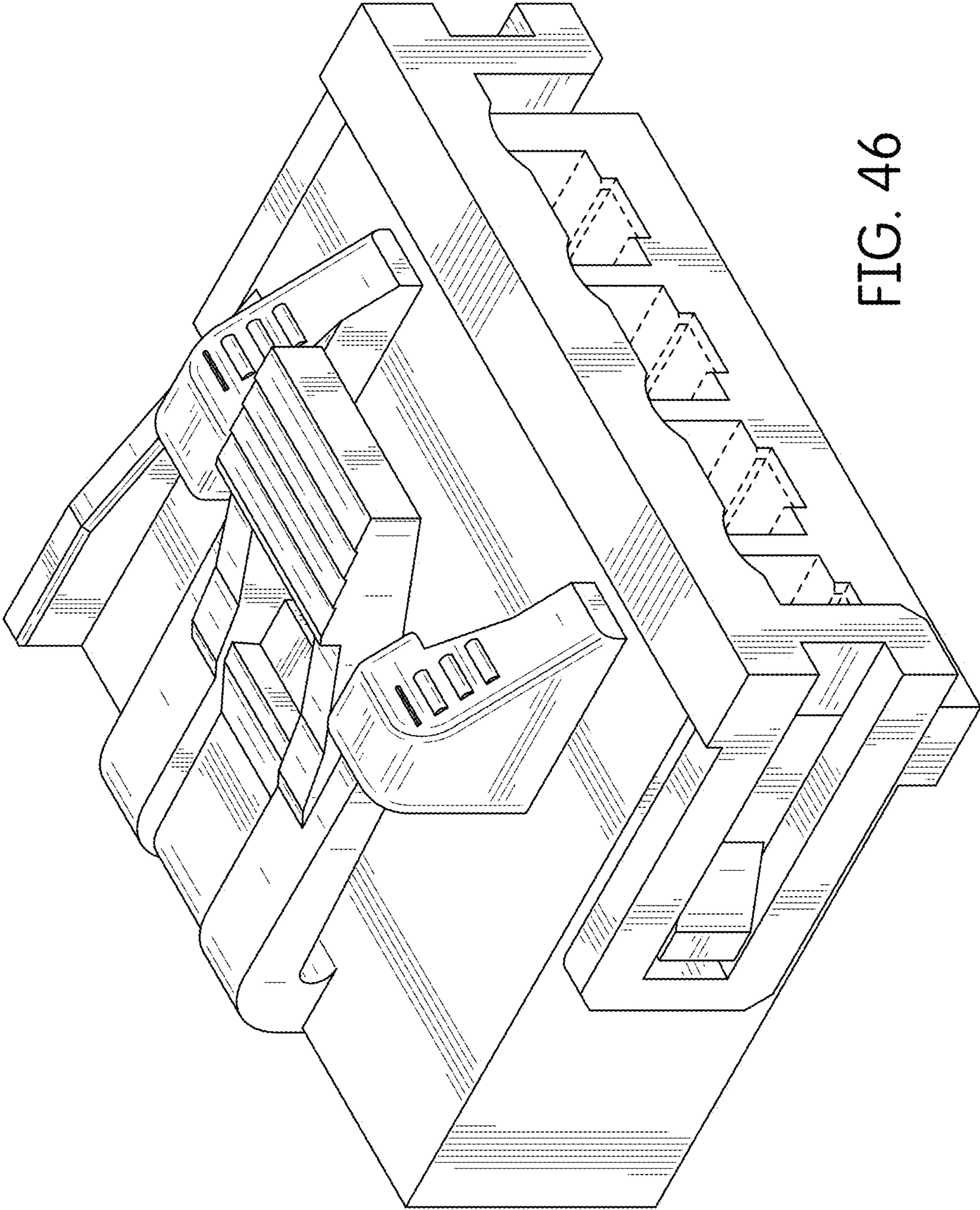


FIG. 46

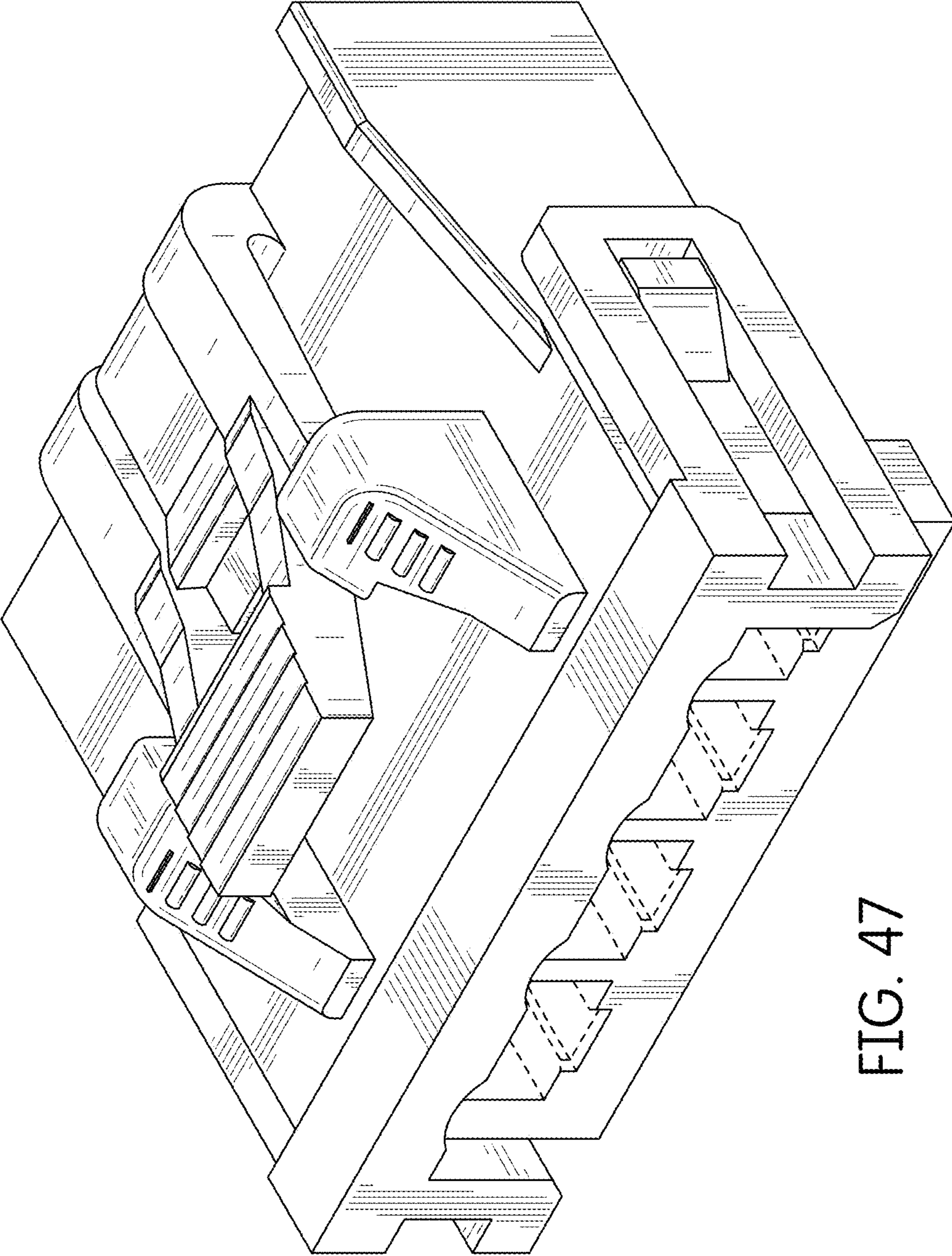


FIG. 47

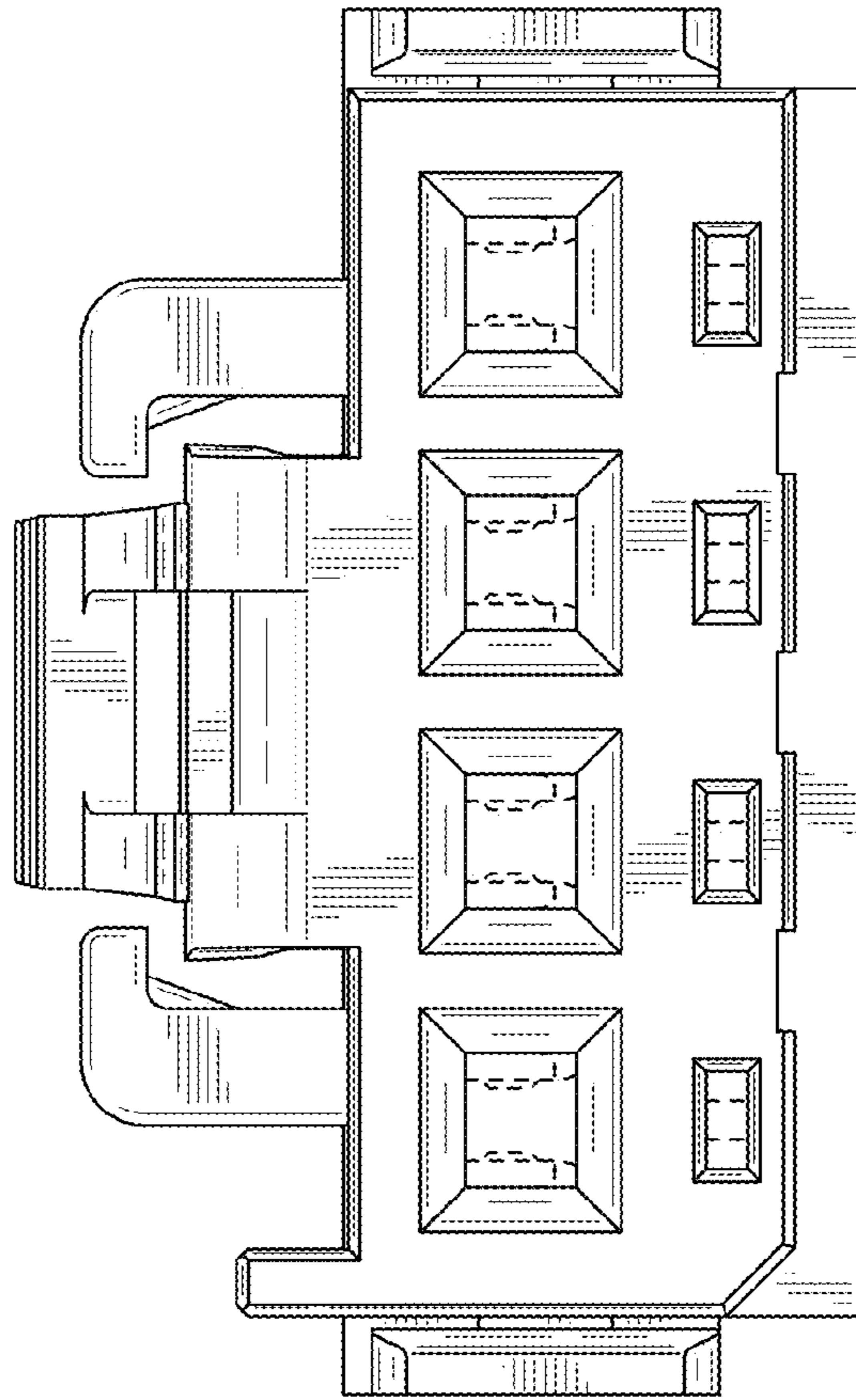


FIG. 49

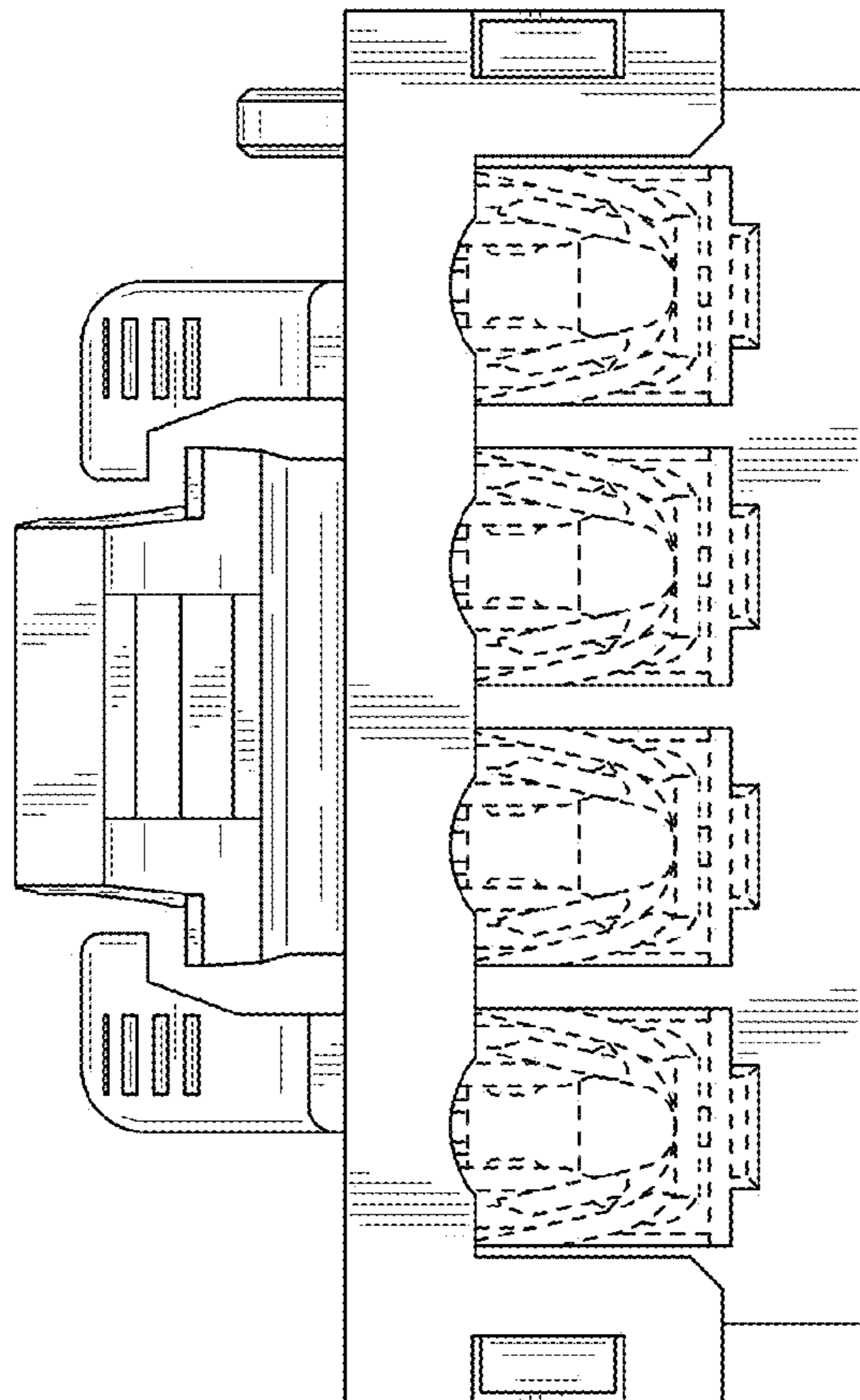


FIG. 48

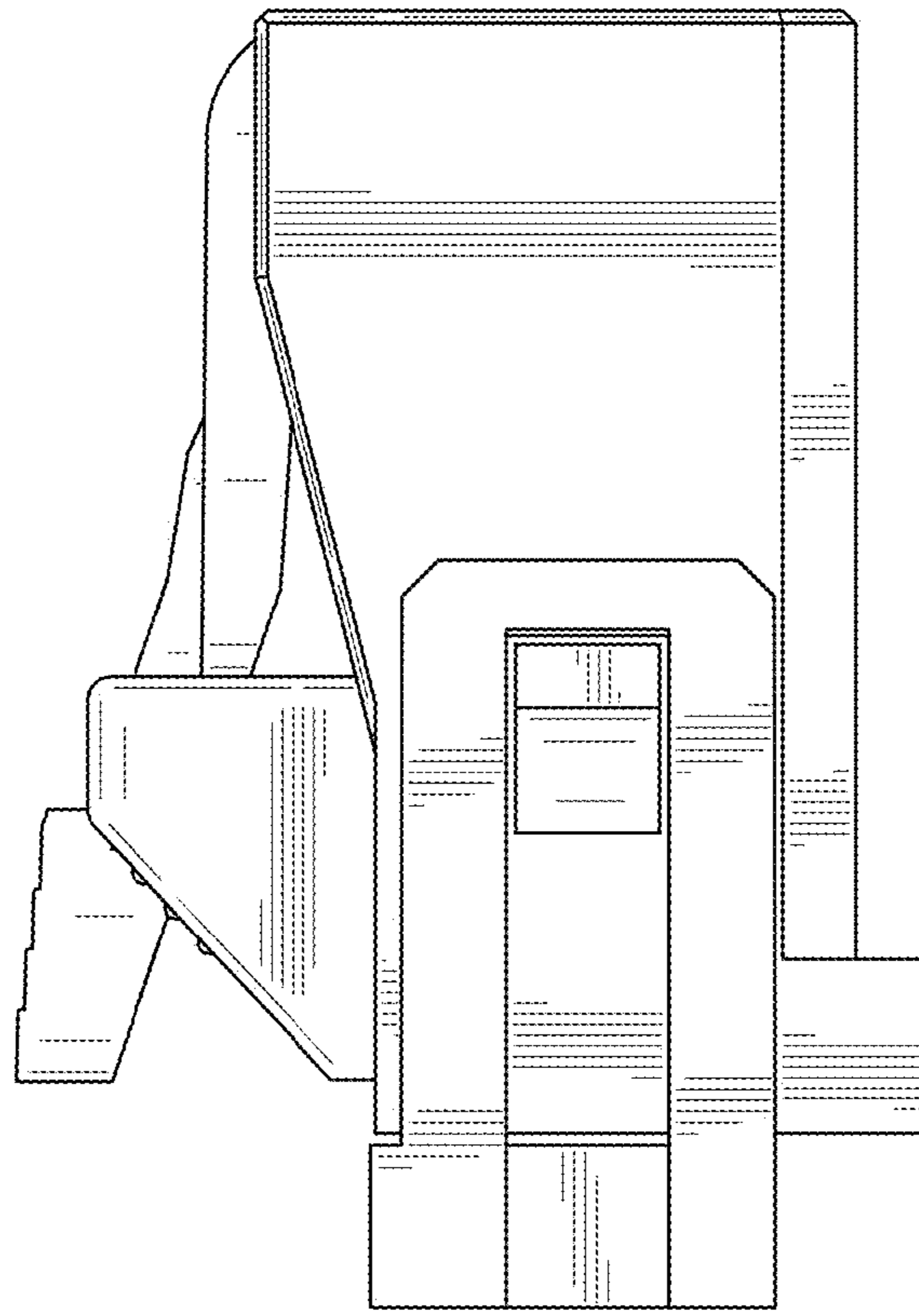


FIG. 51

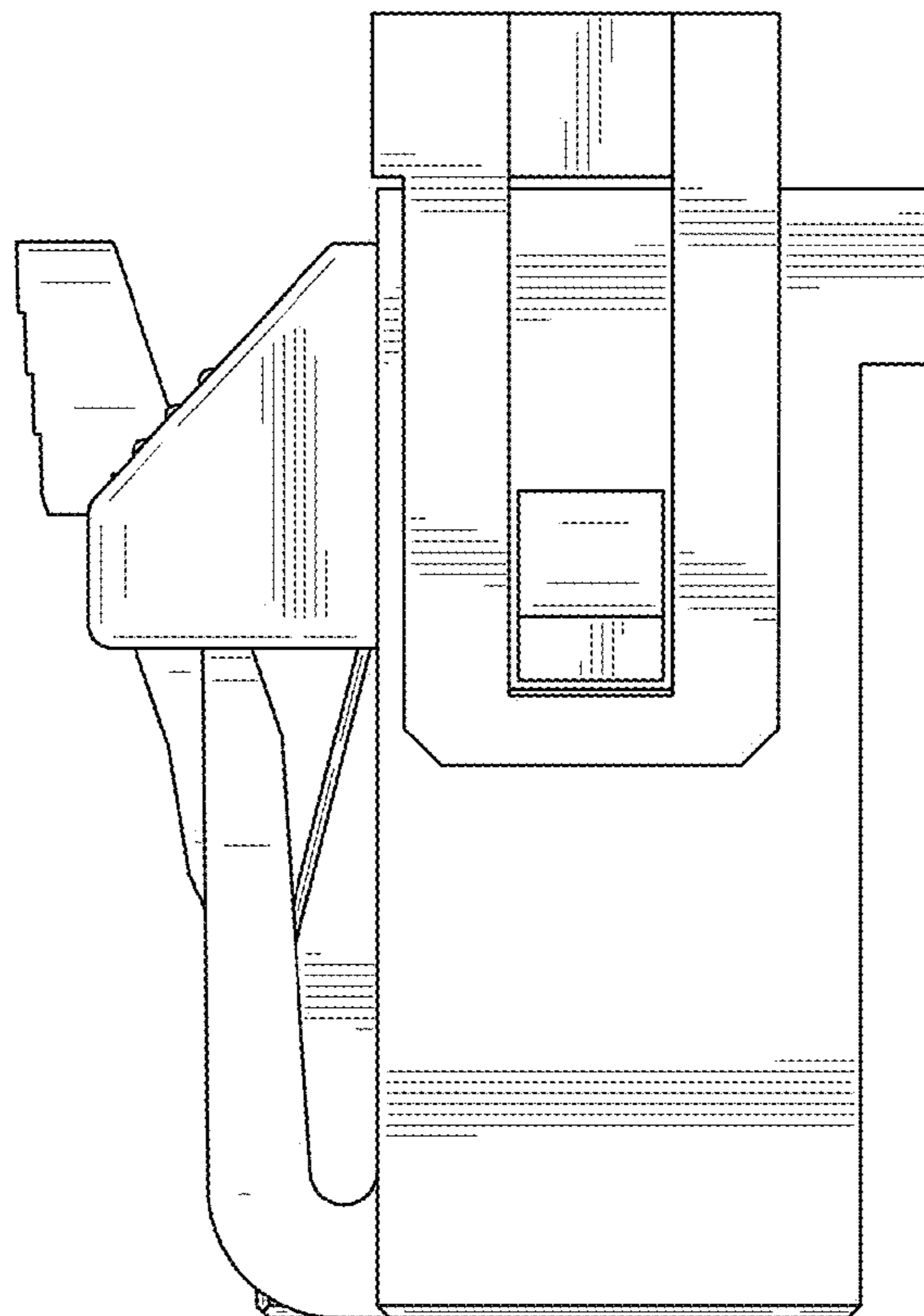


FIG. 50

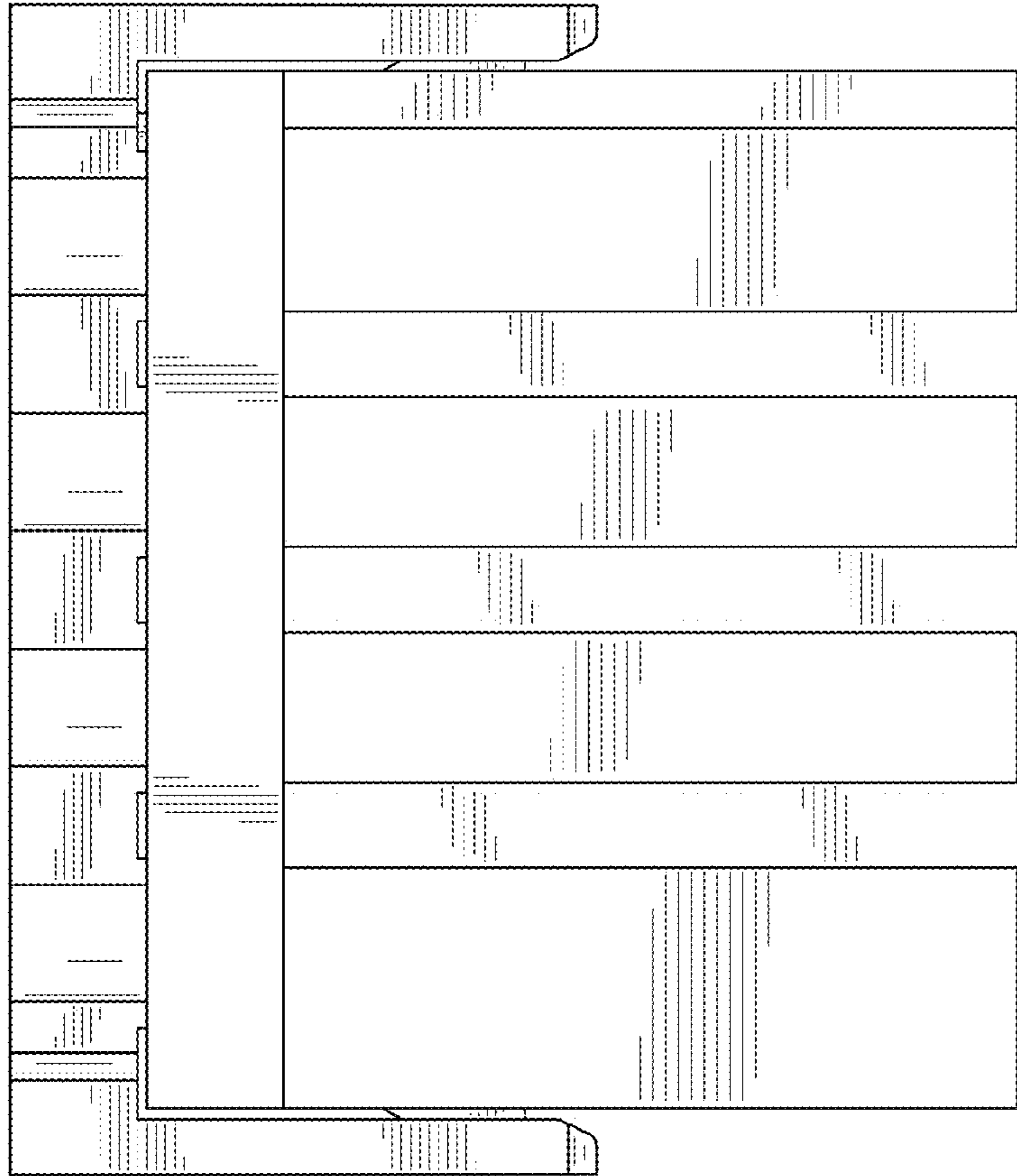


FIG. 53

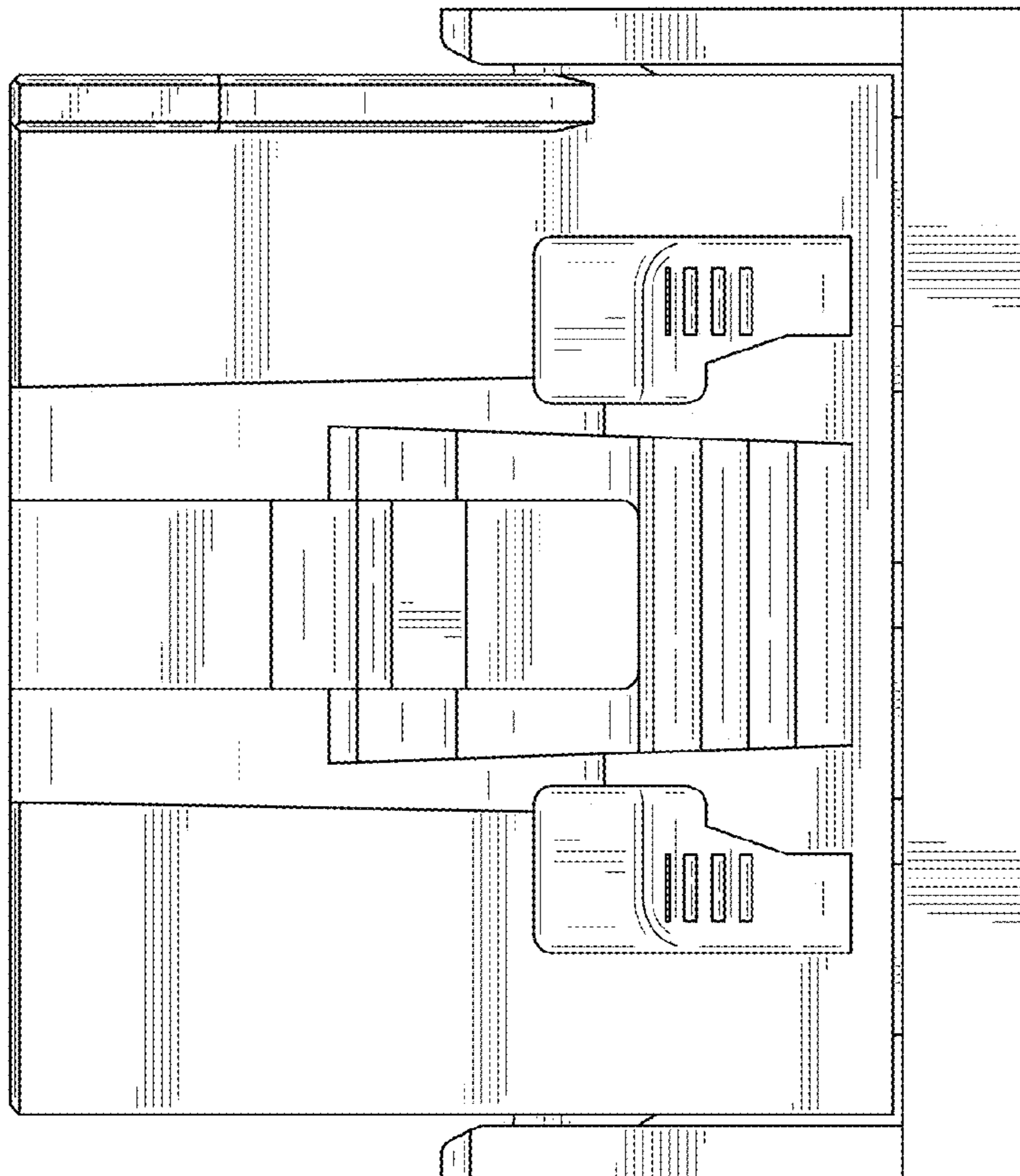


FIG. 52

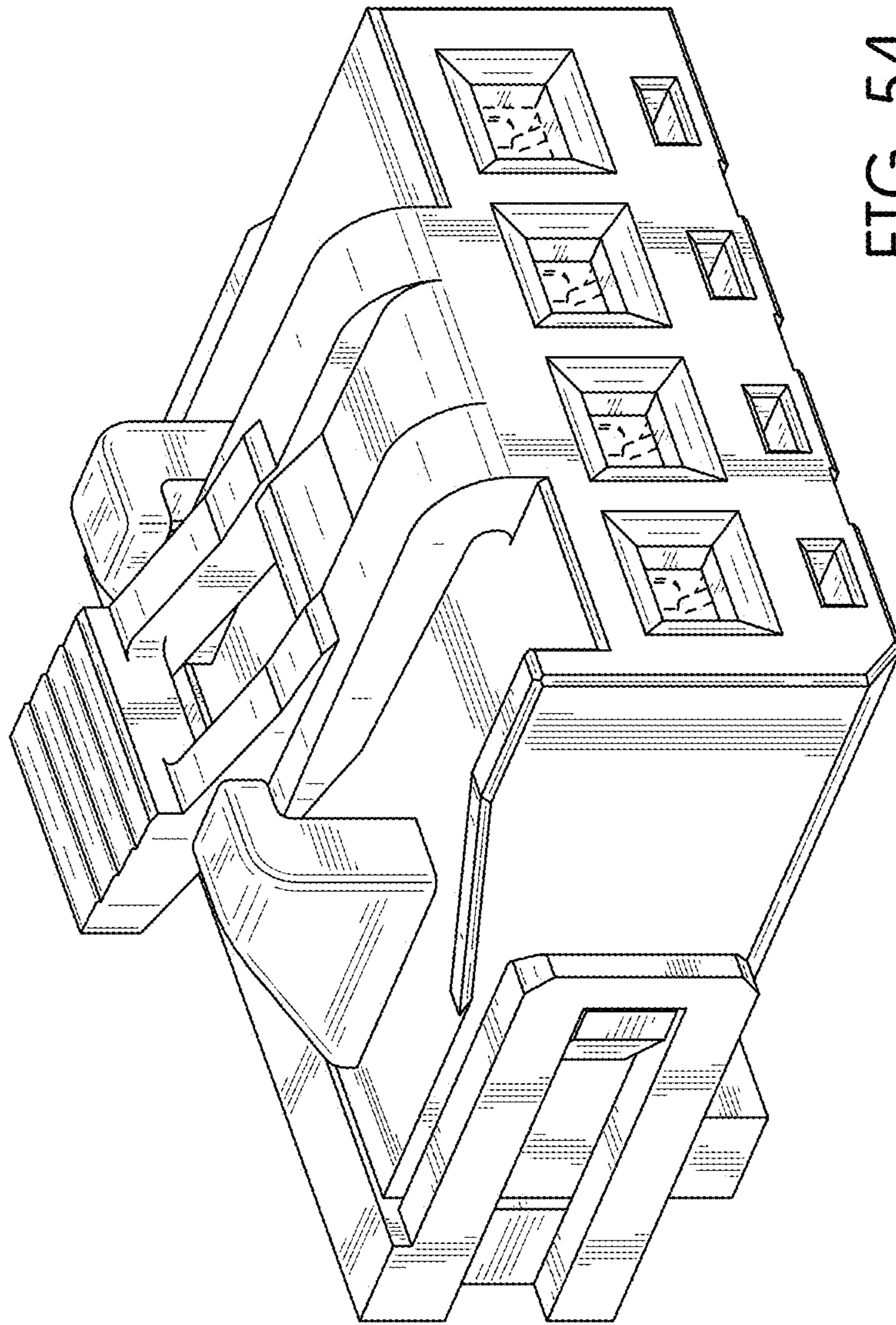


FIG. 54

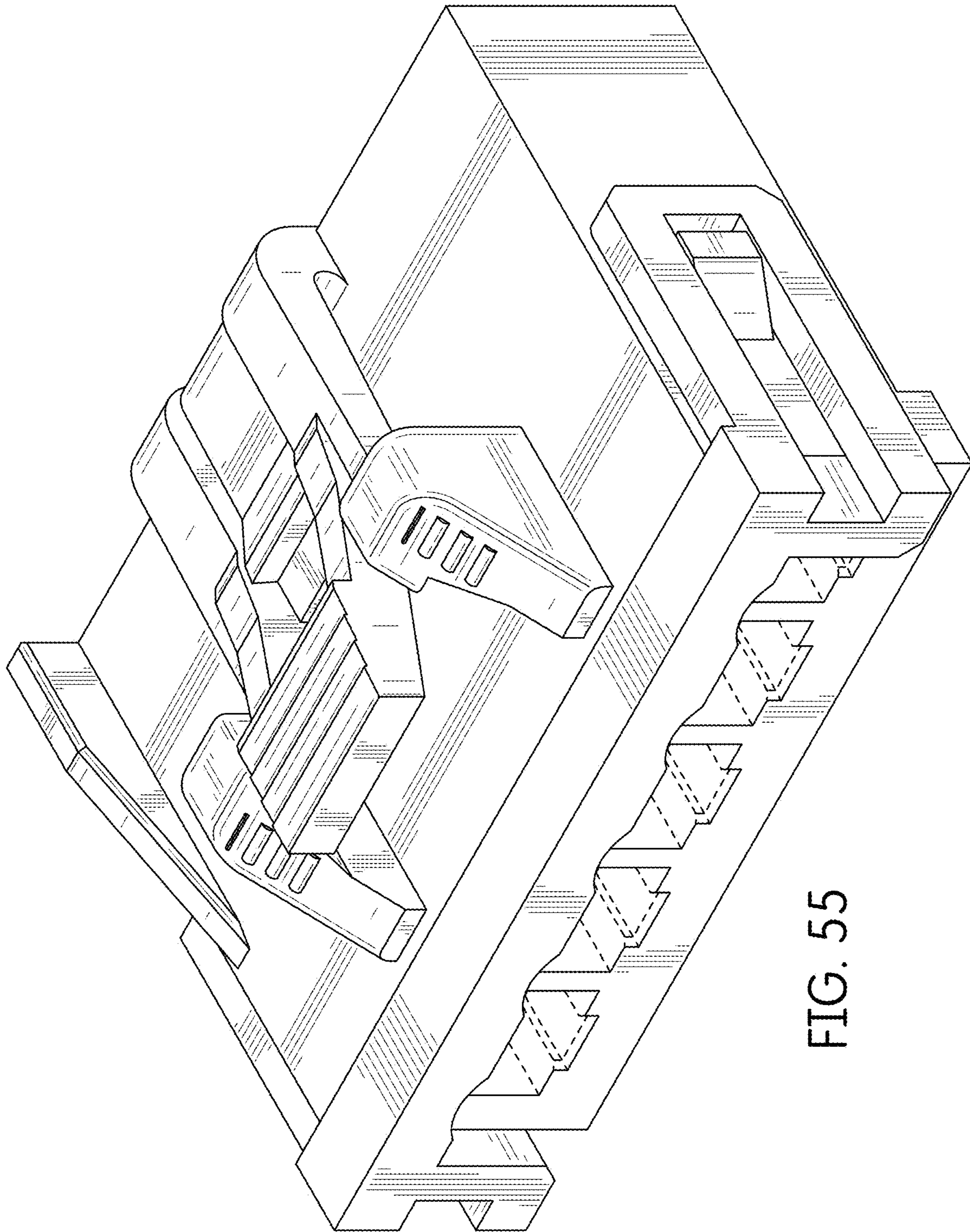


FIG. 55

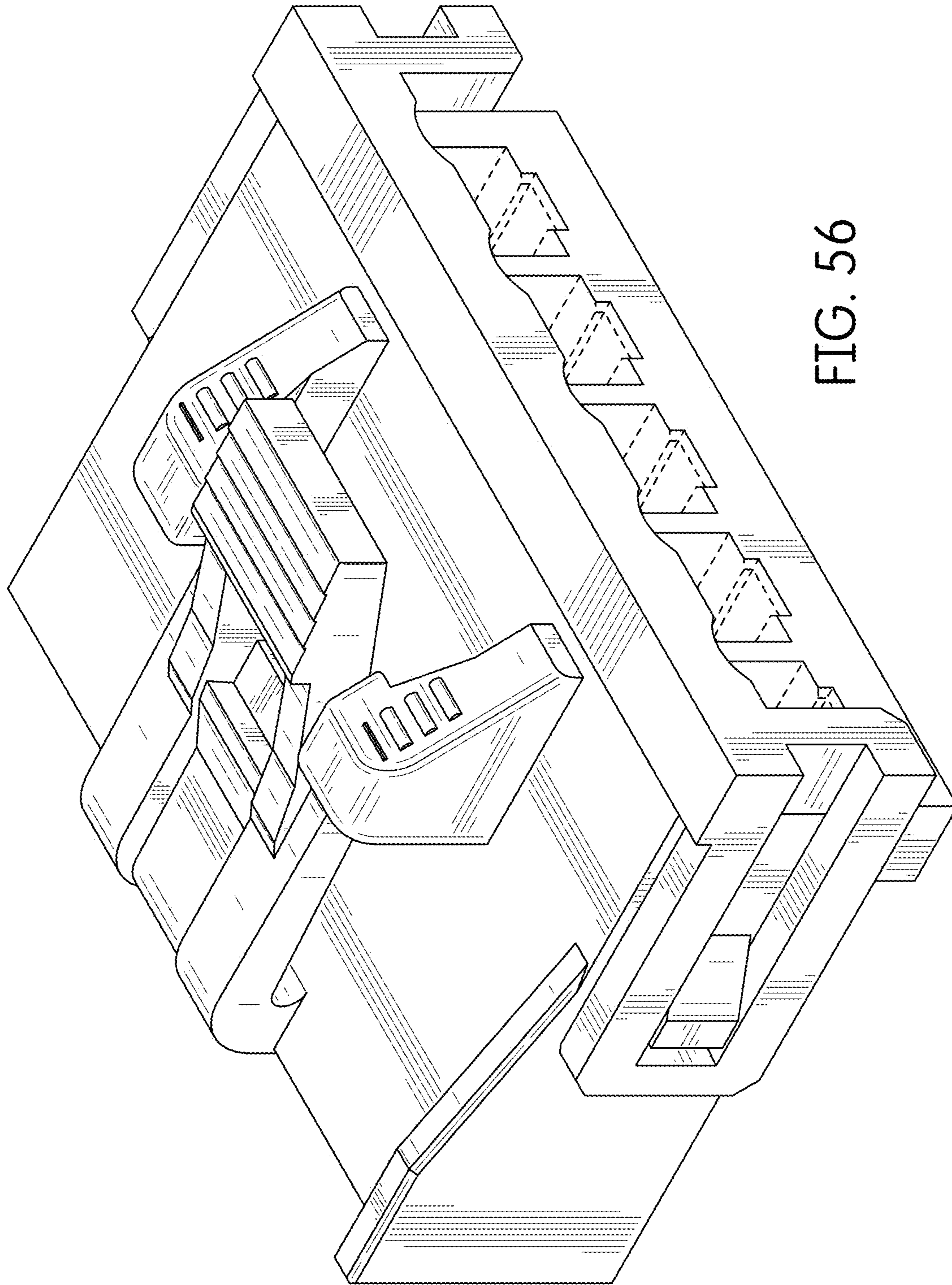


FIG. 56

FIG. 57

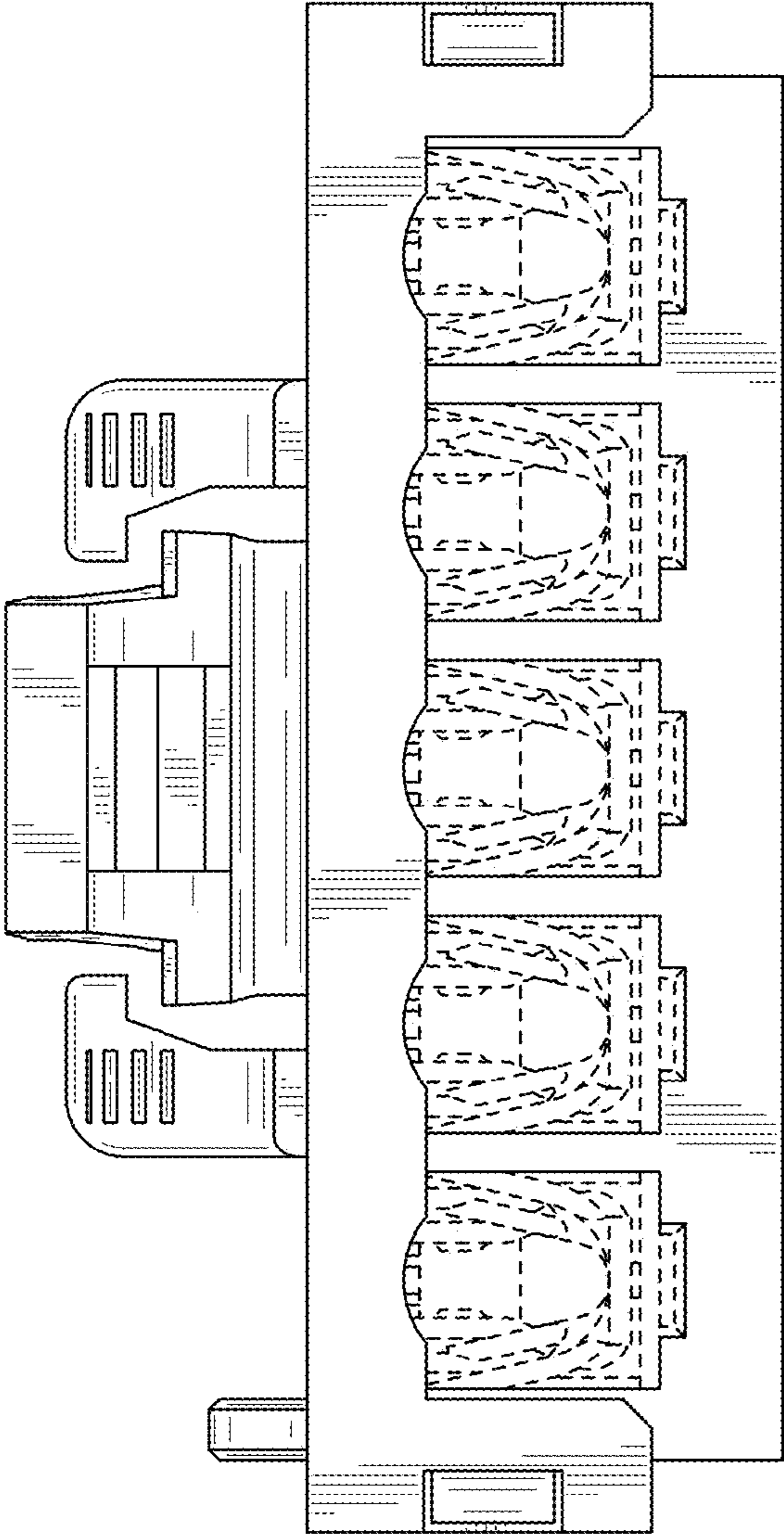
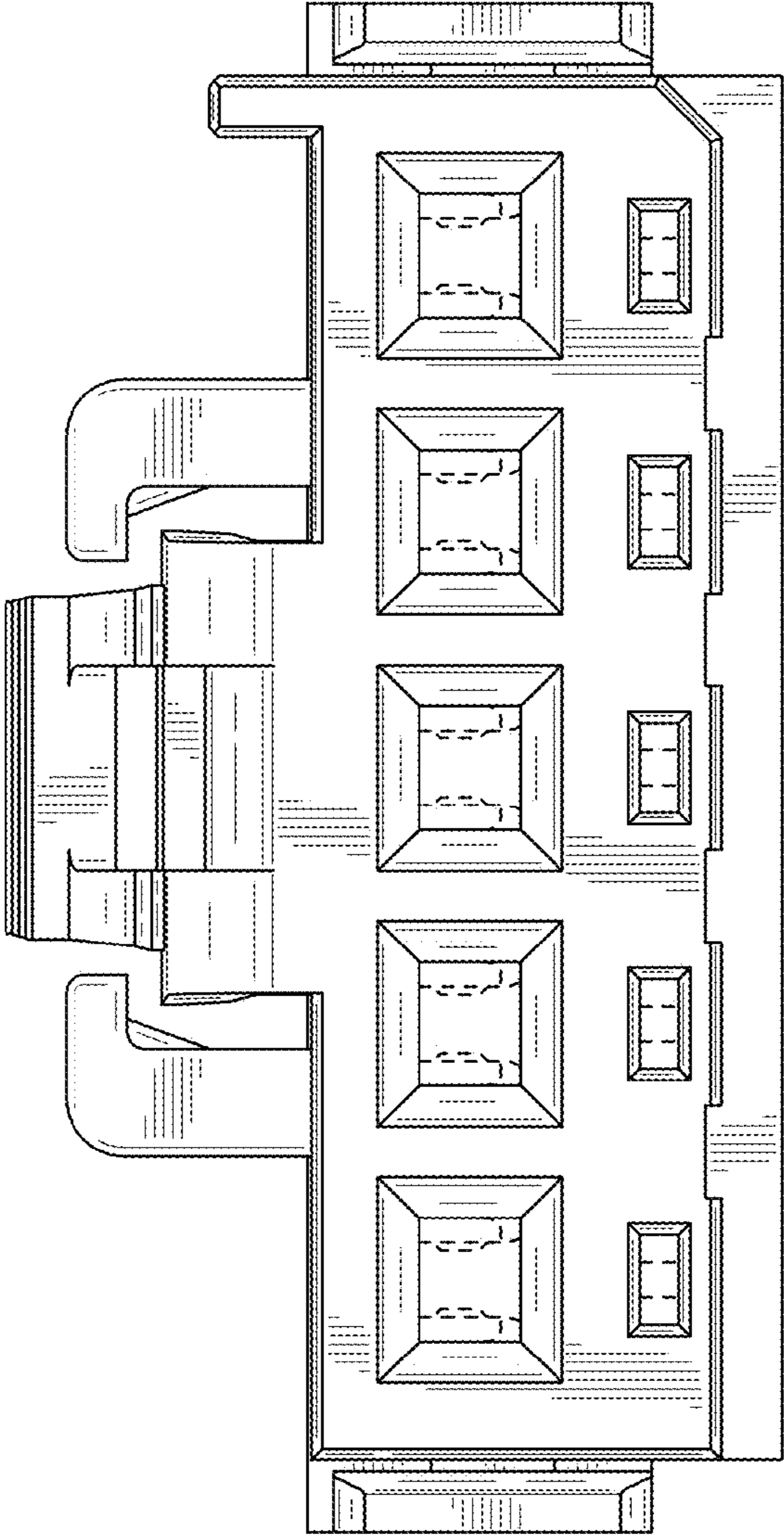


FIG. 58



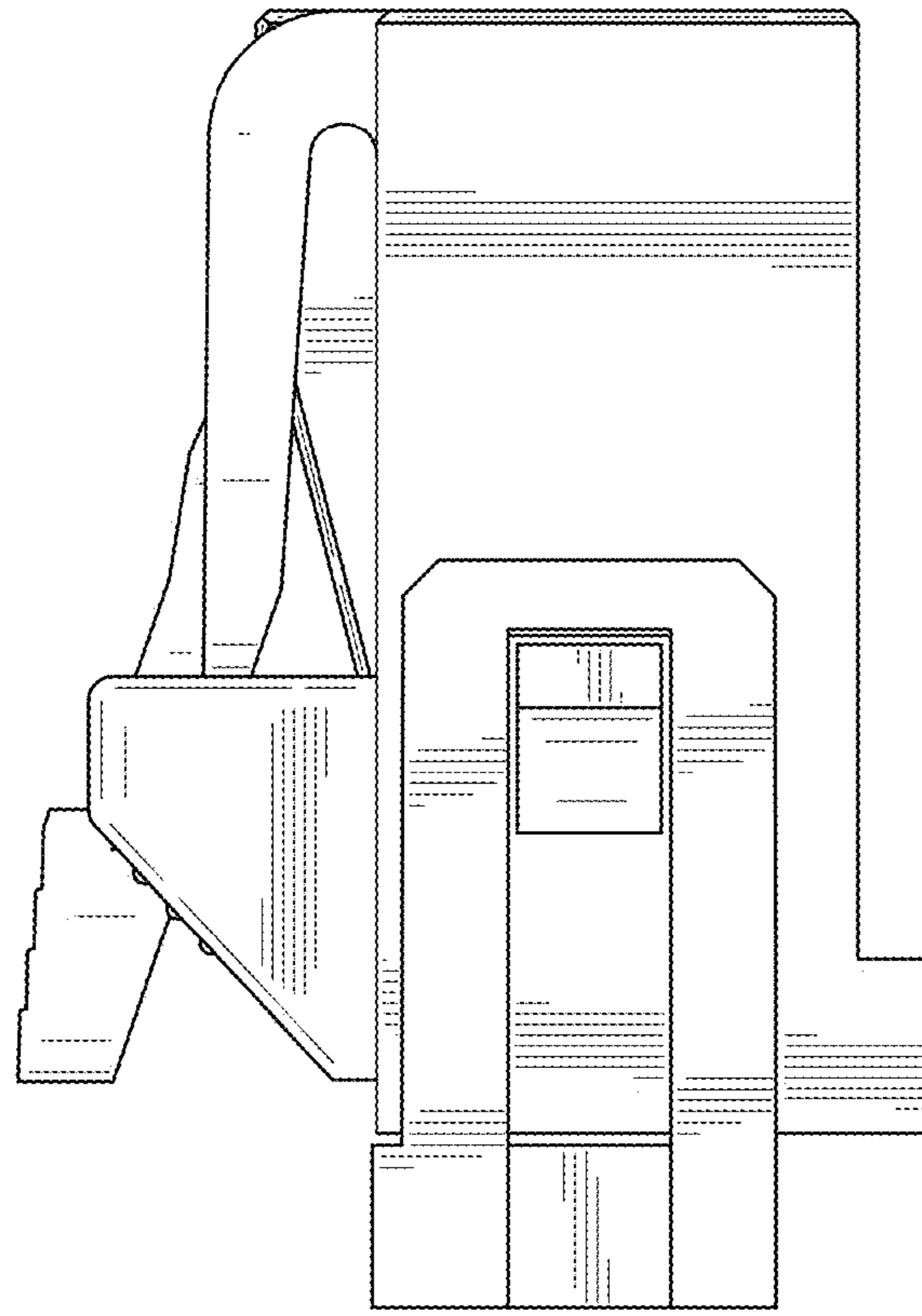


FIG. 60

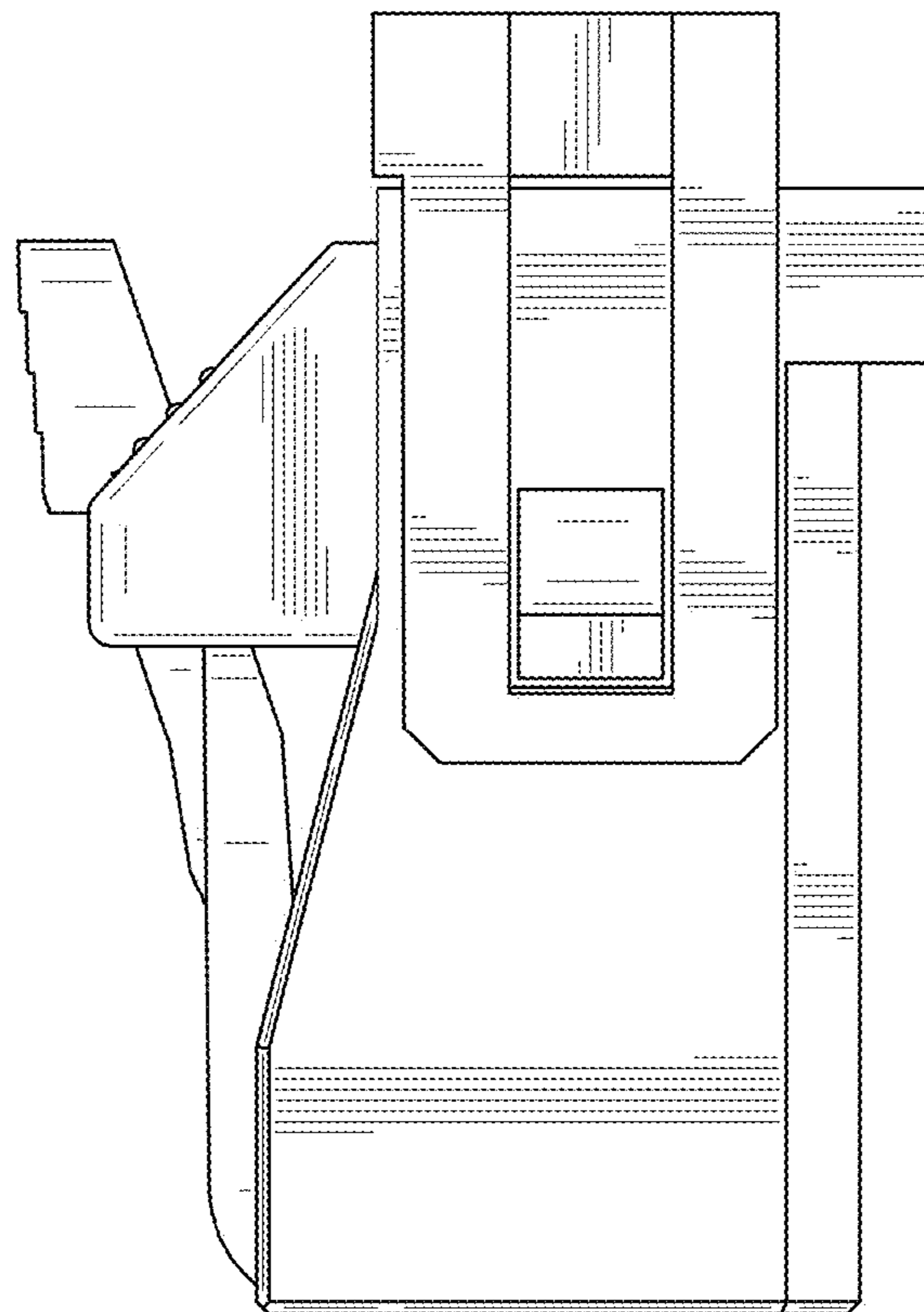


FIG. 59

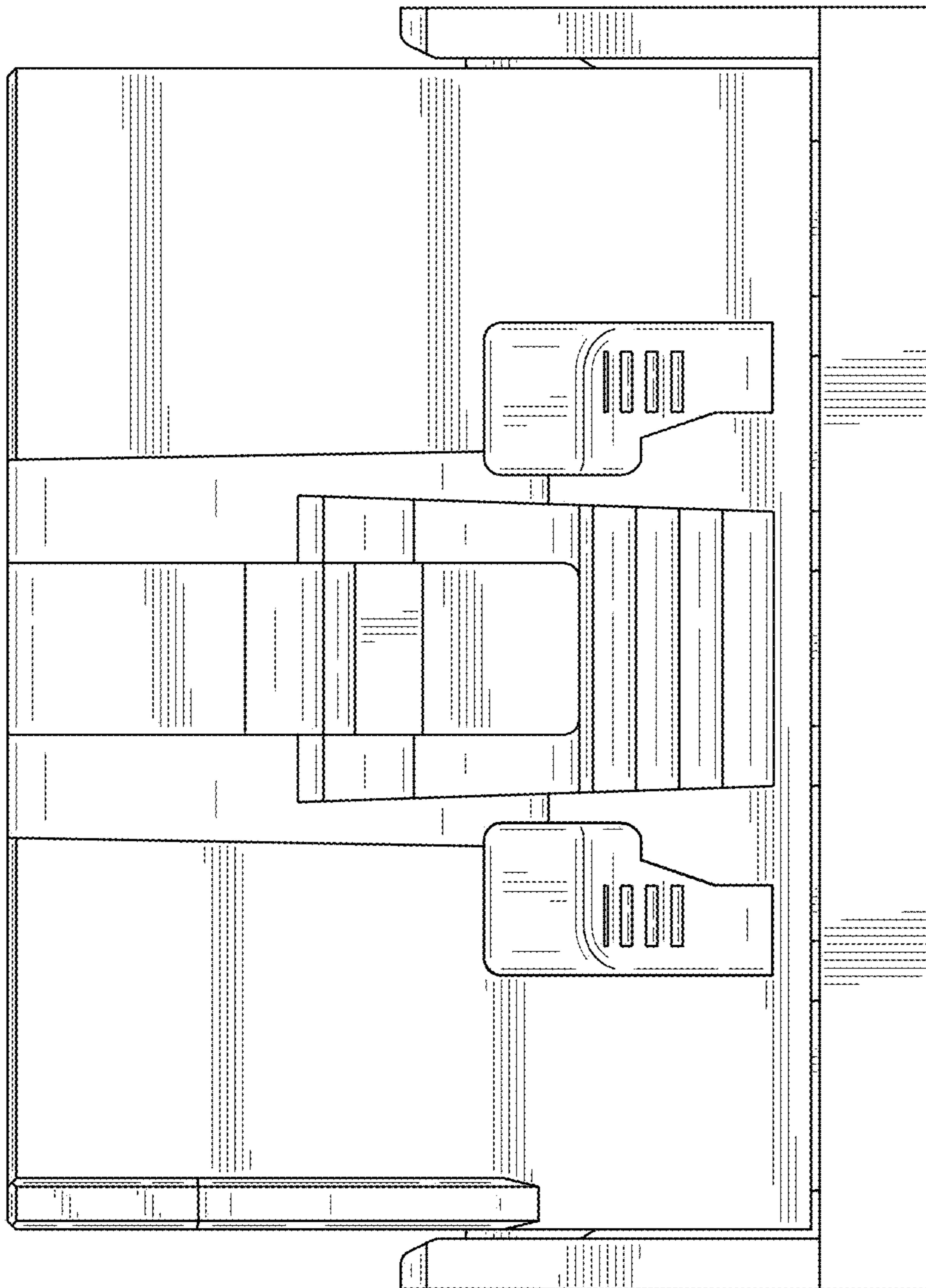


FIG. 61

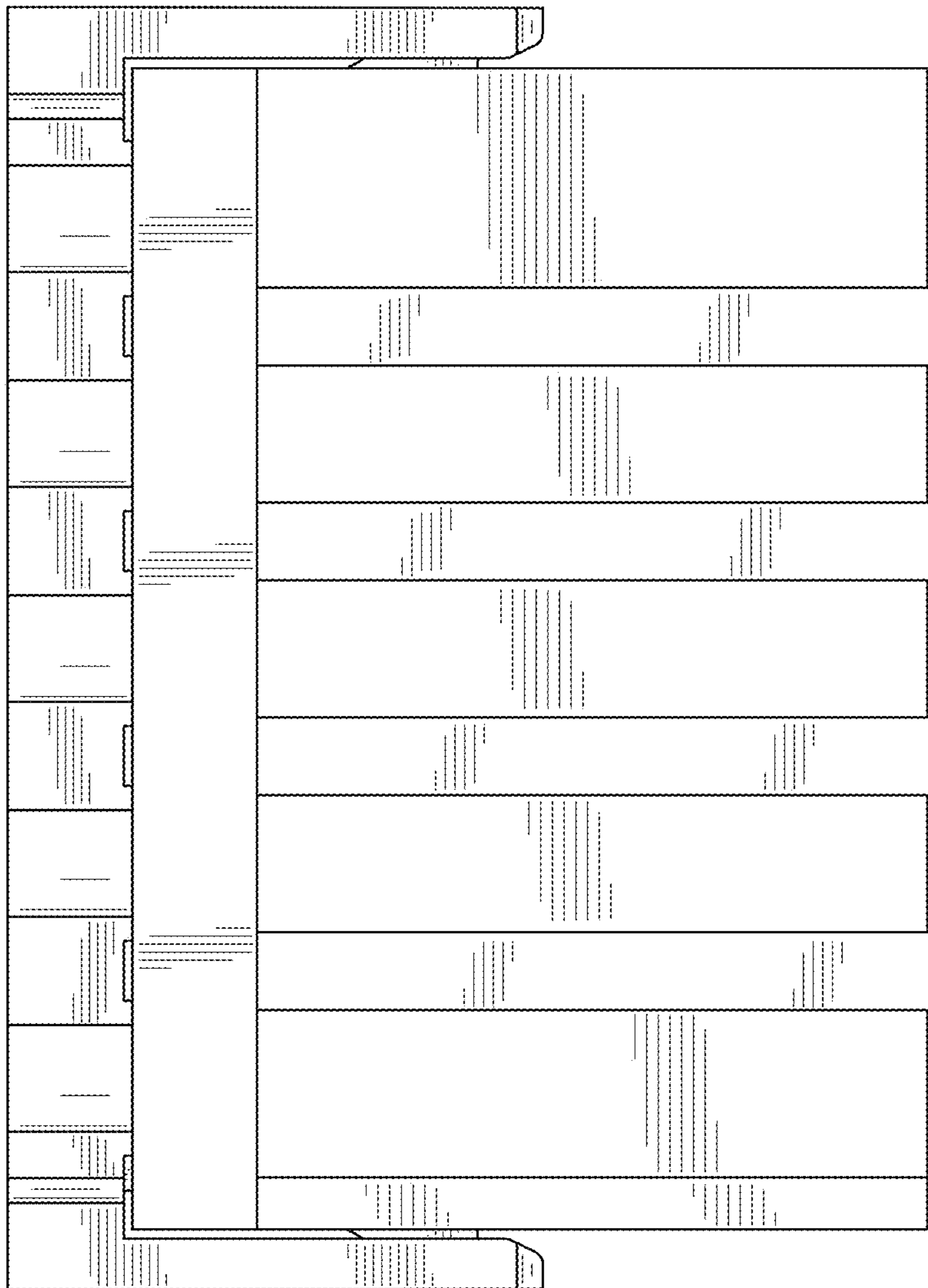


FIG. 62

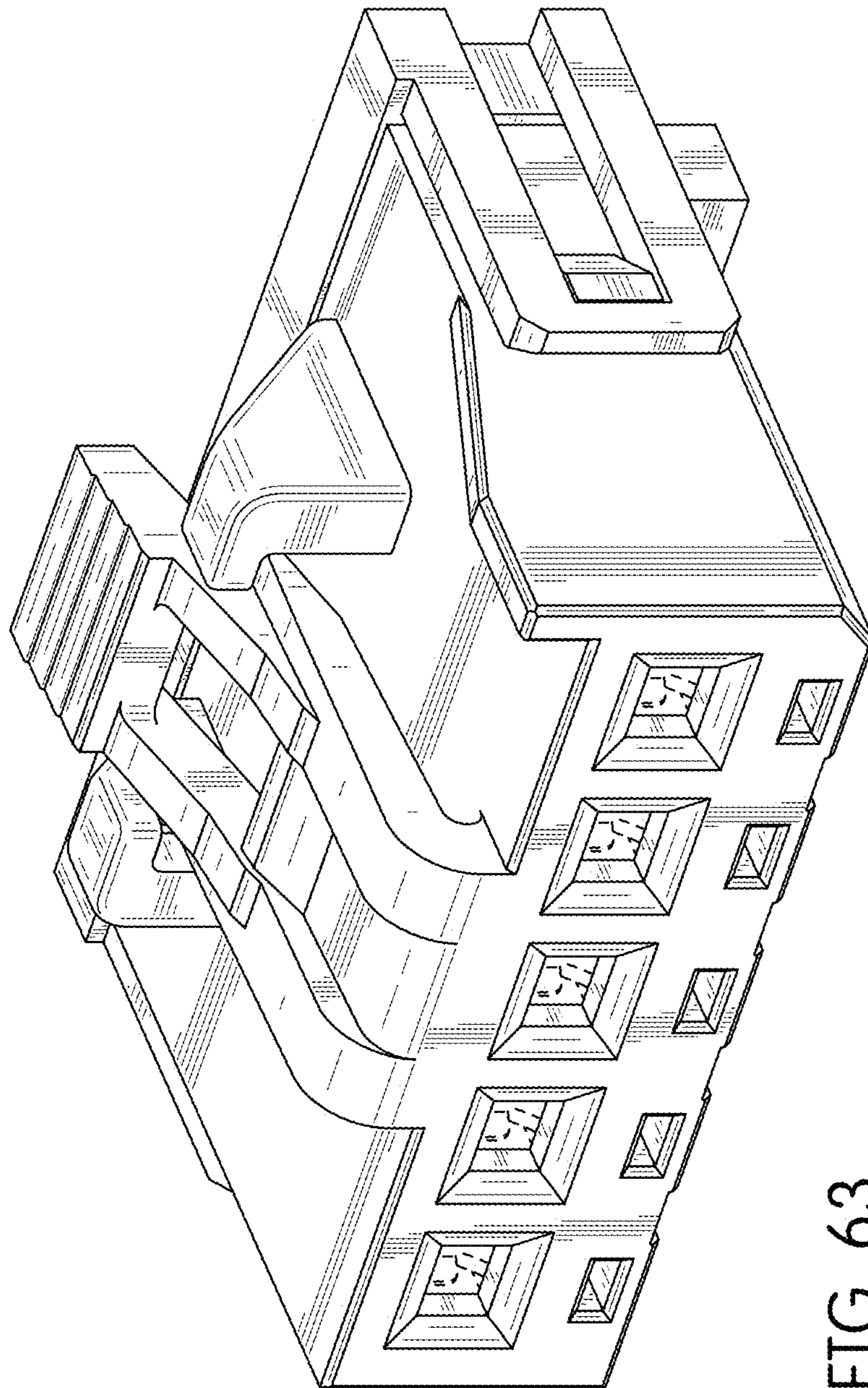


FIG. 63

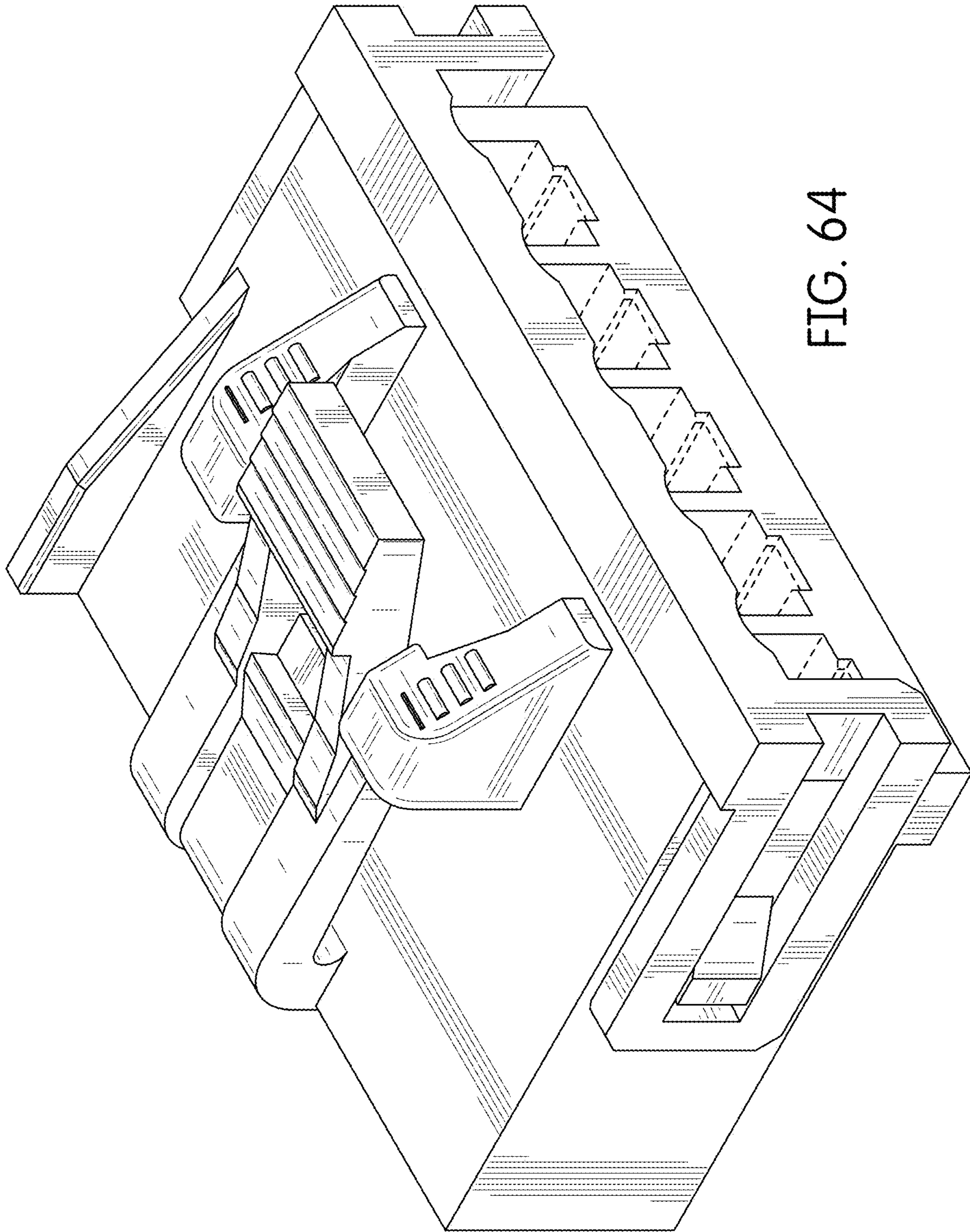


FIG. 64

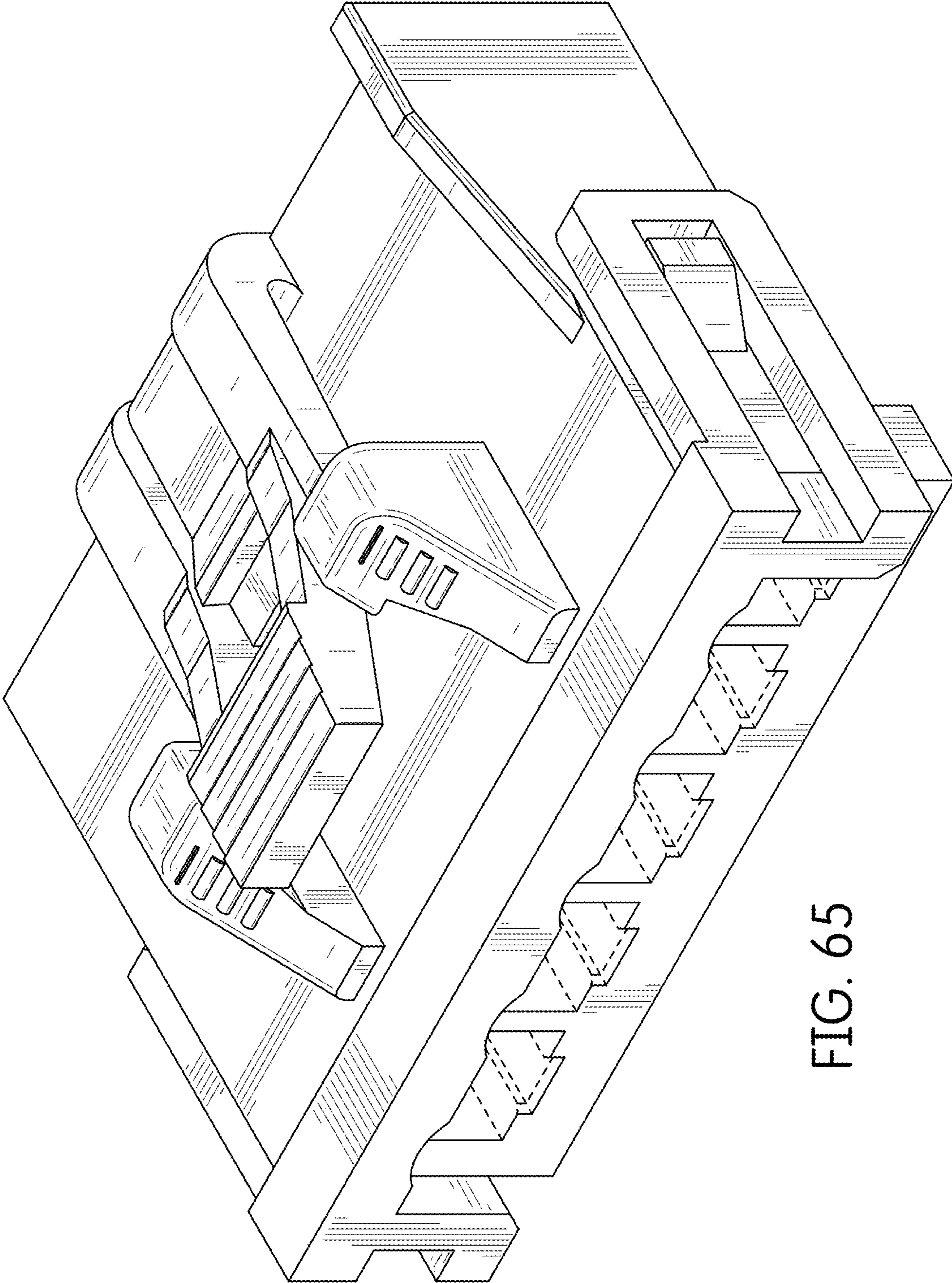


FIG. 65

FIG. 66

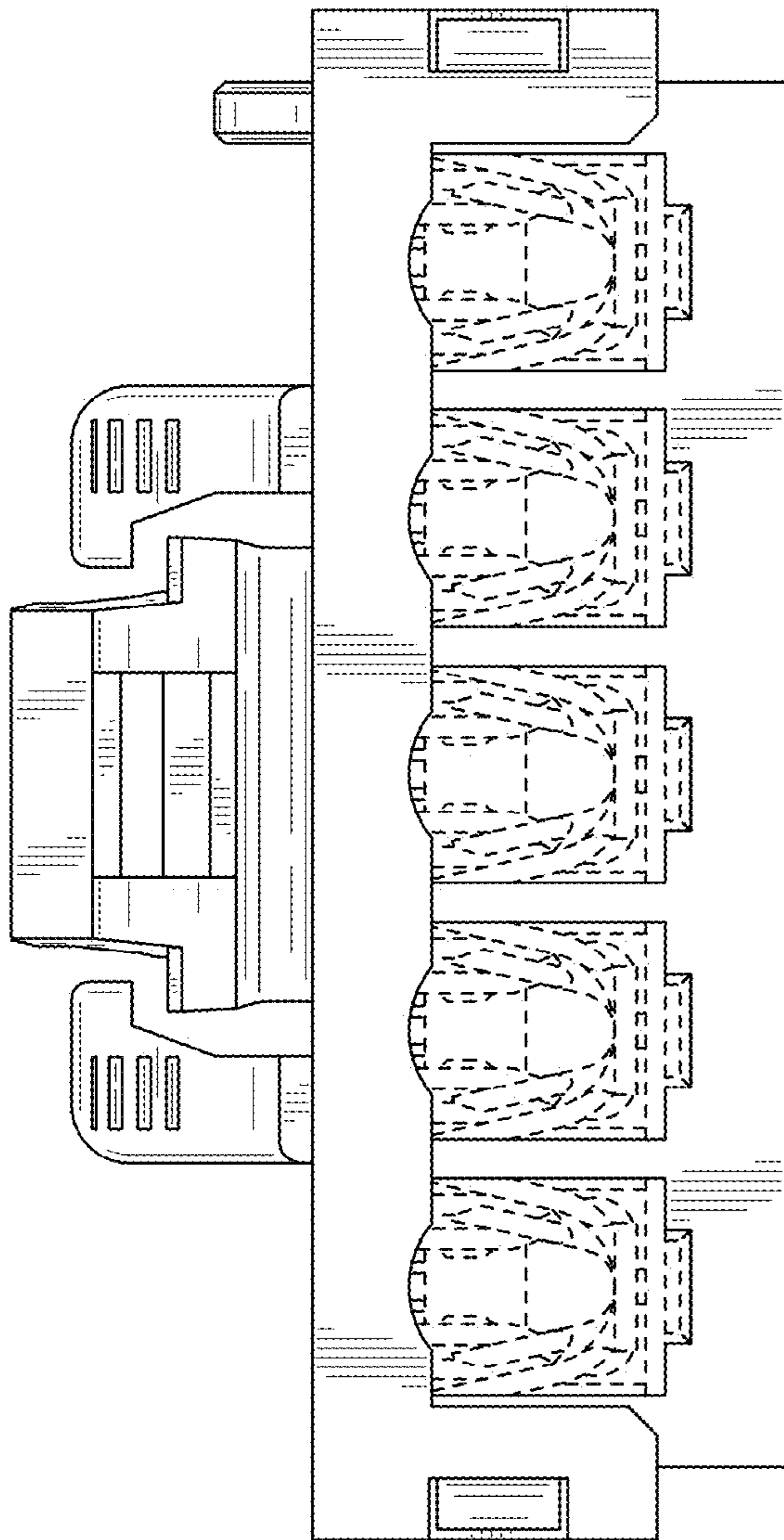
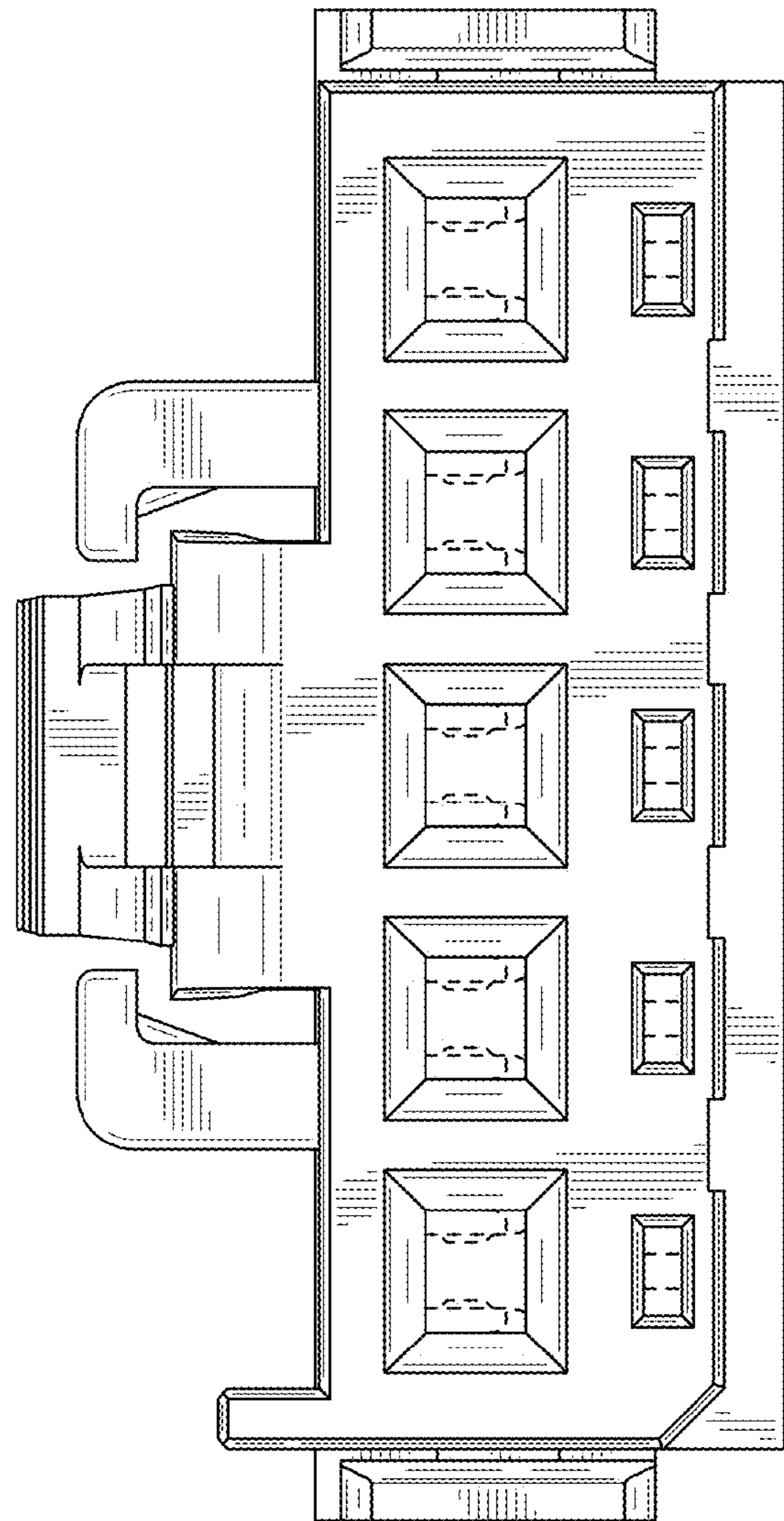


FIG. 67



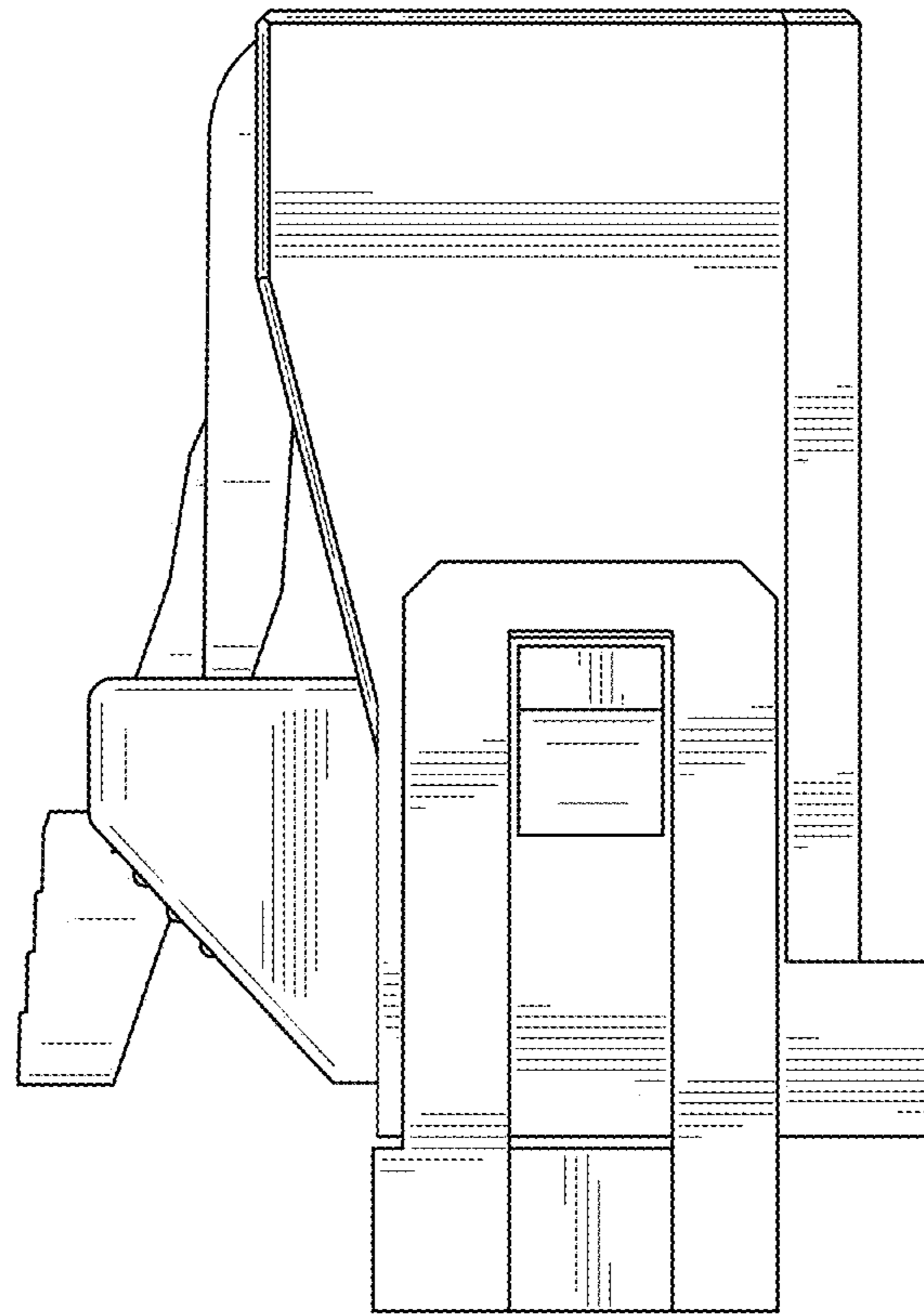


FIG. 69

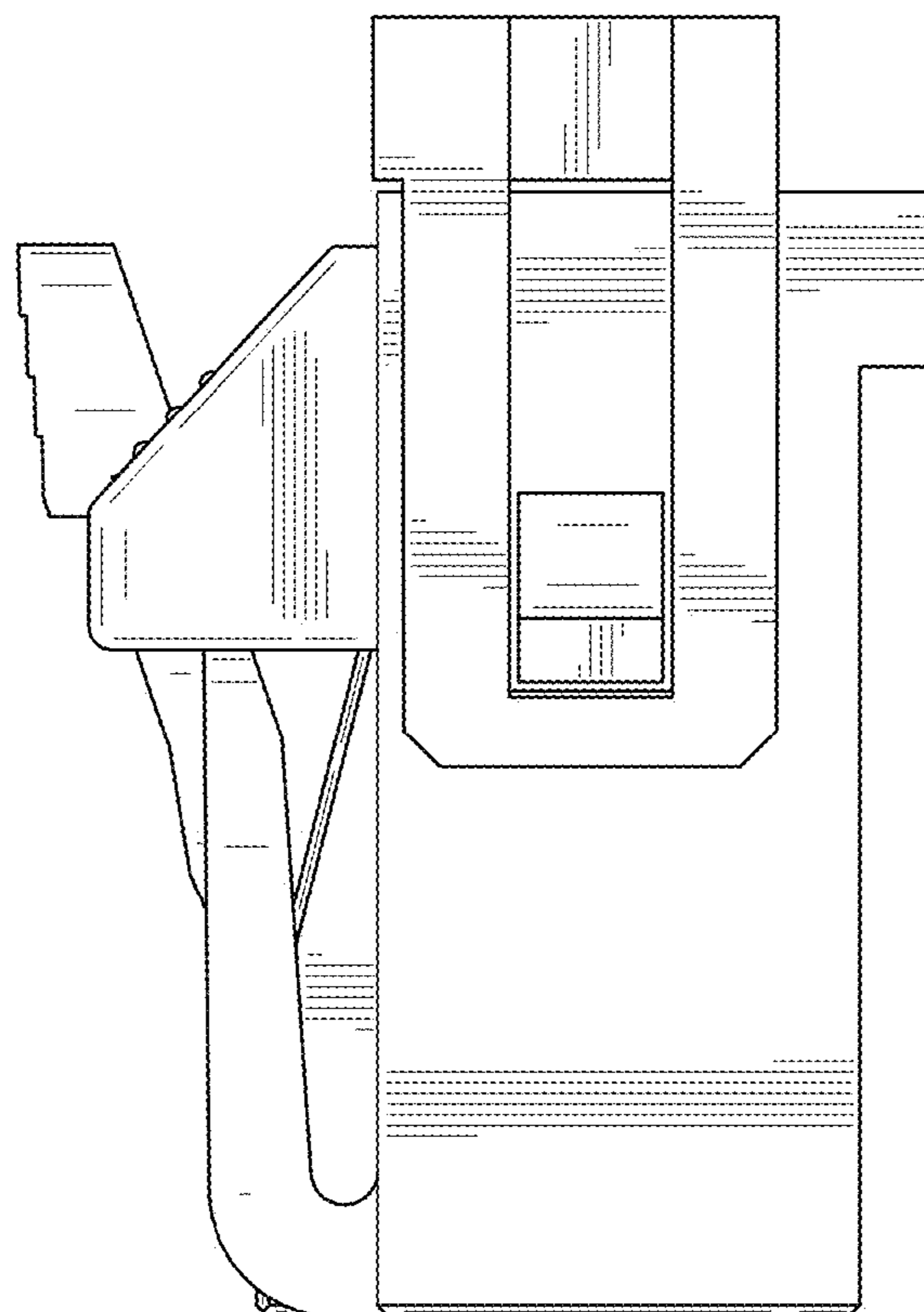


FIG. 68

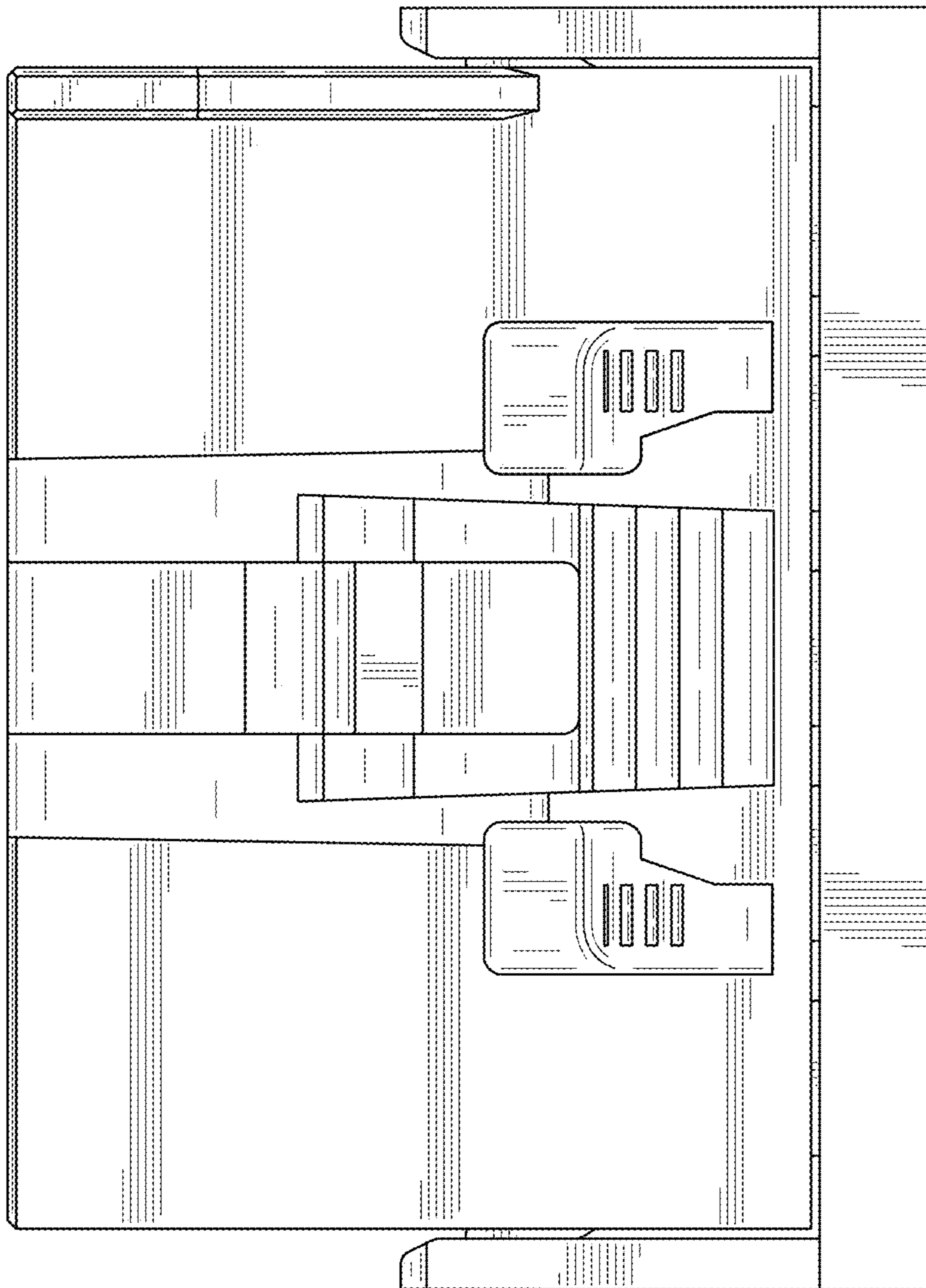


FIG. 70

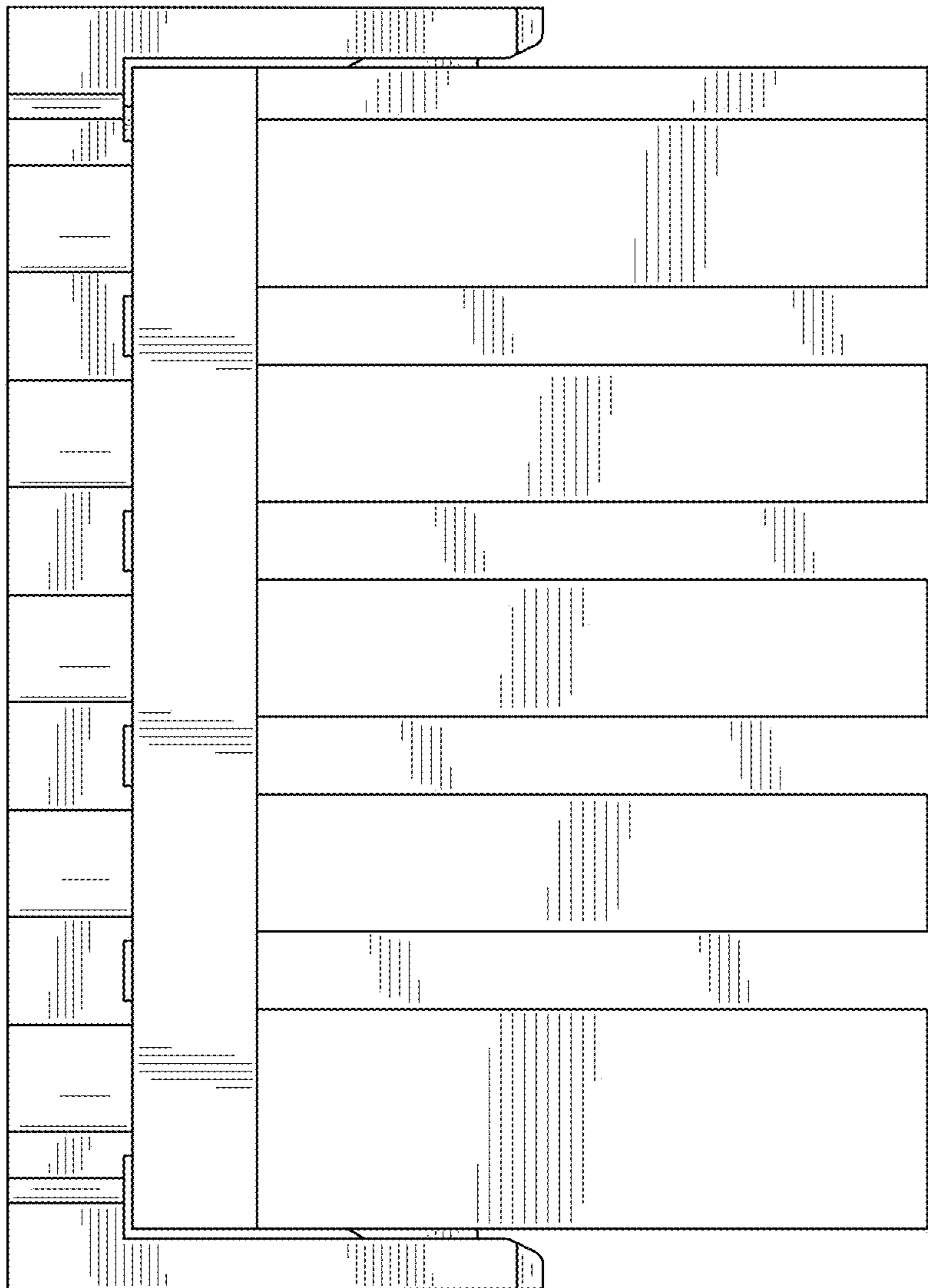


FIG. 71

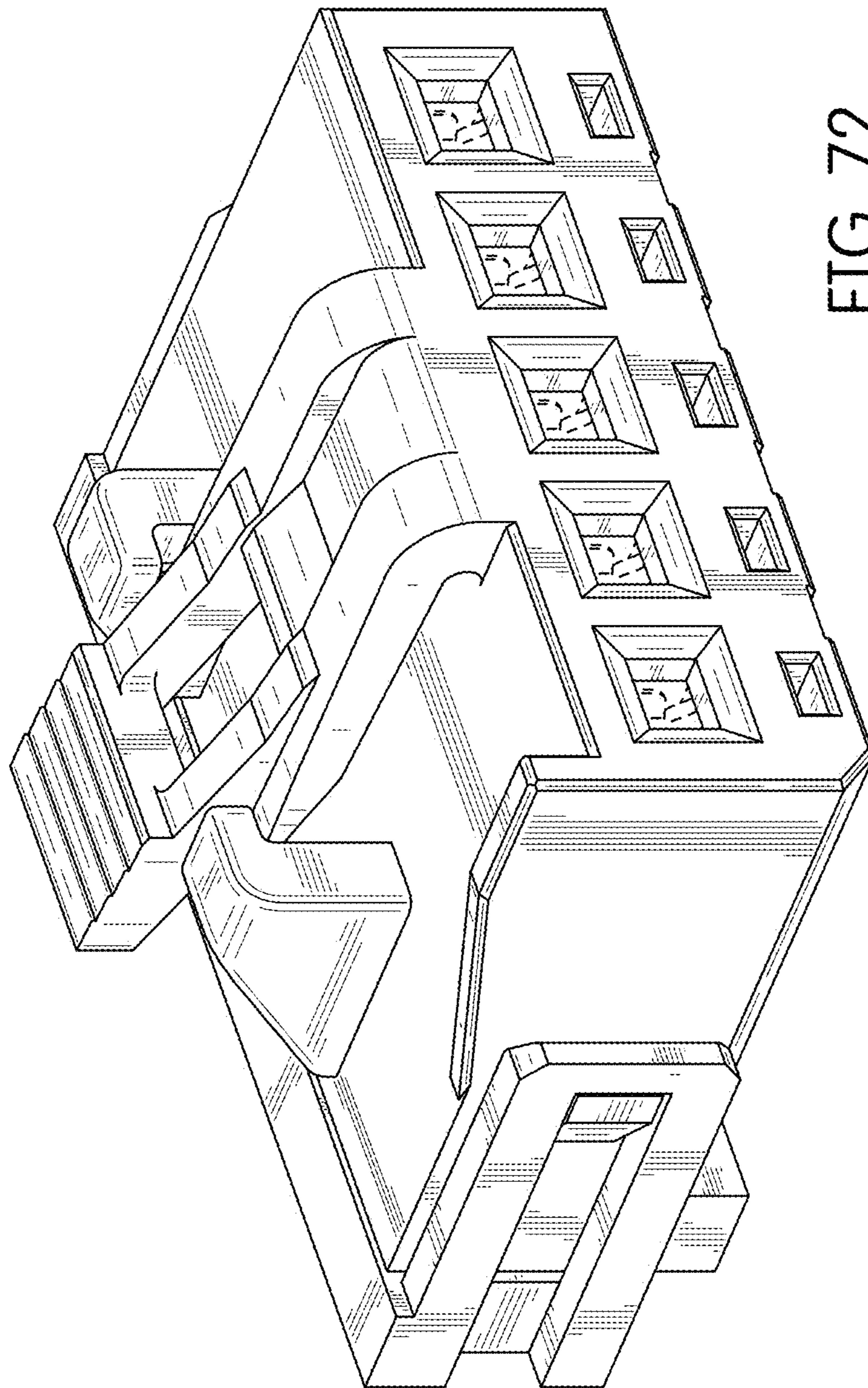


FIG. 72

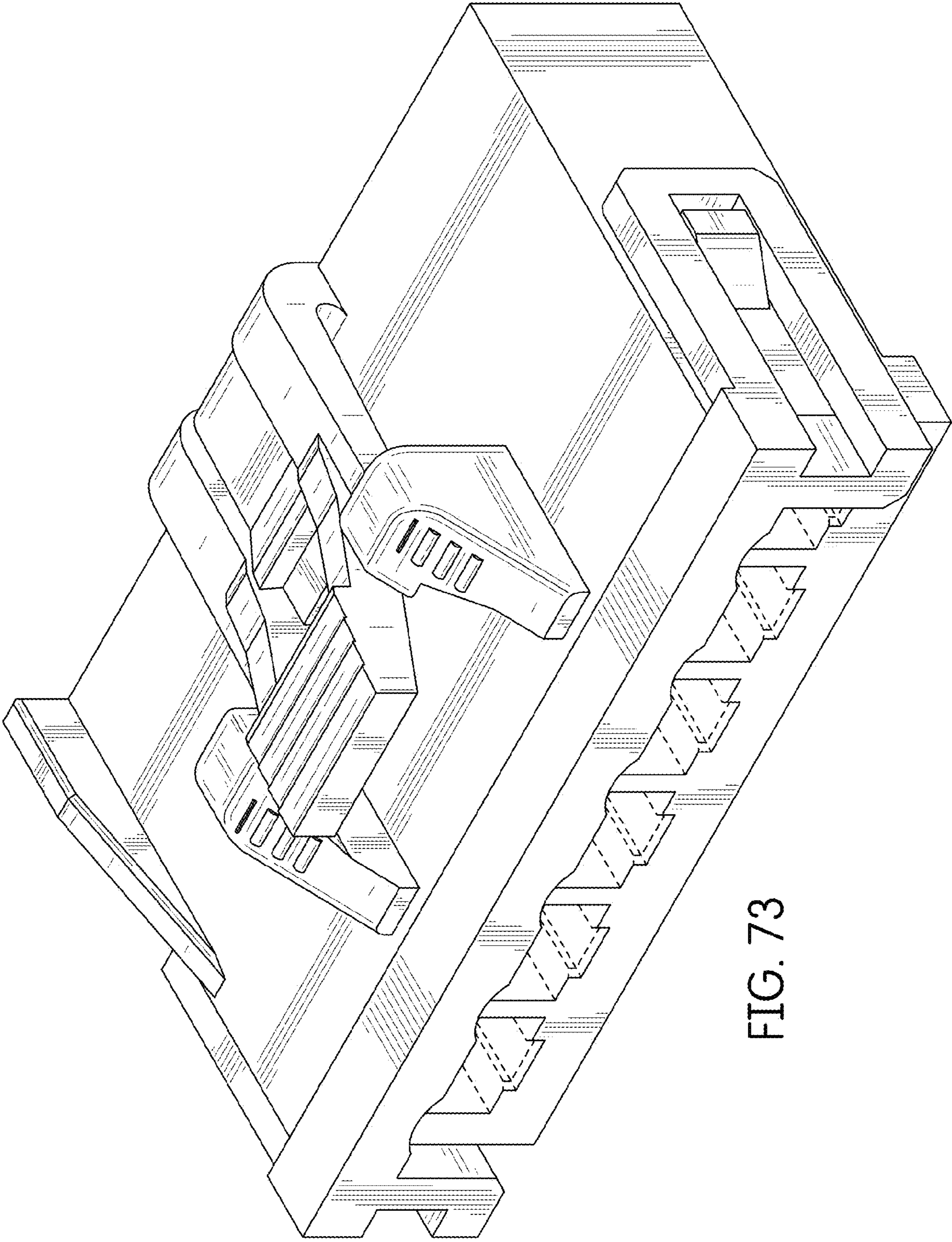


FIG. 73

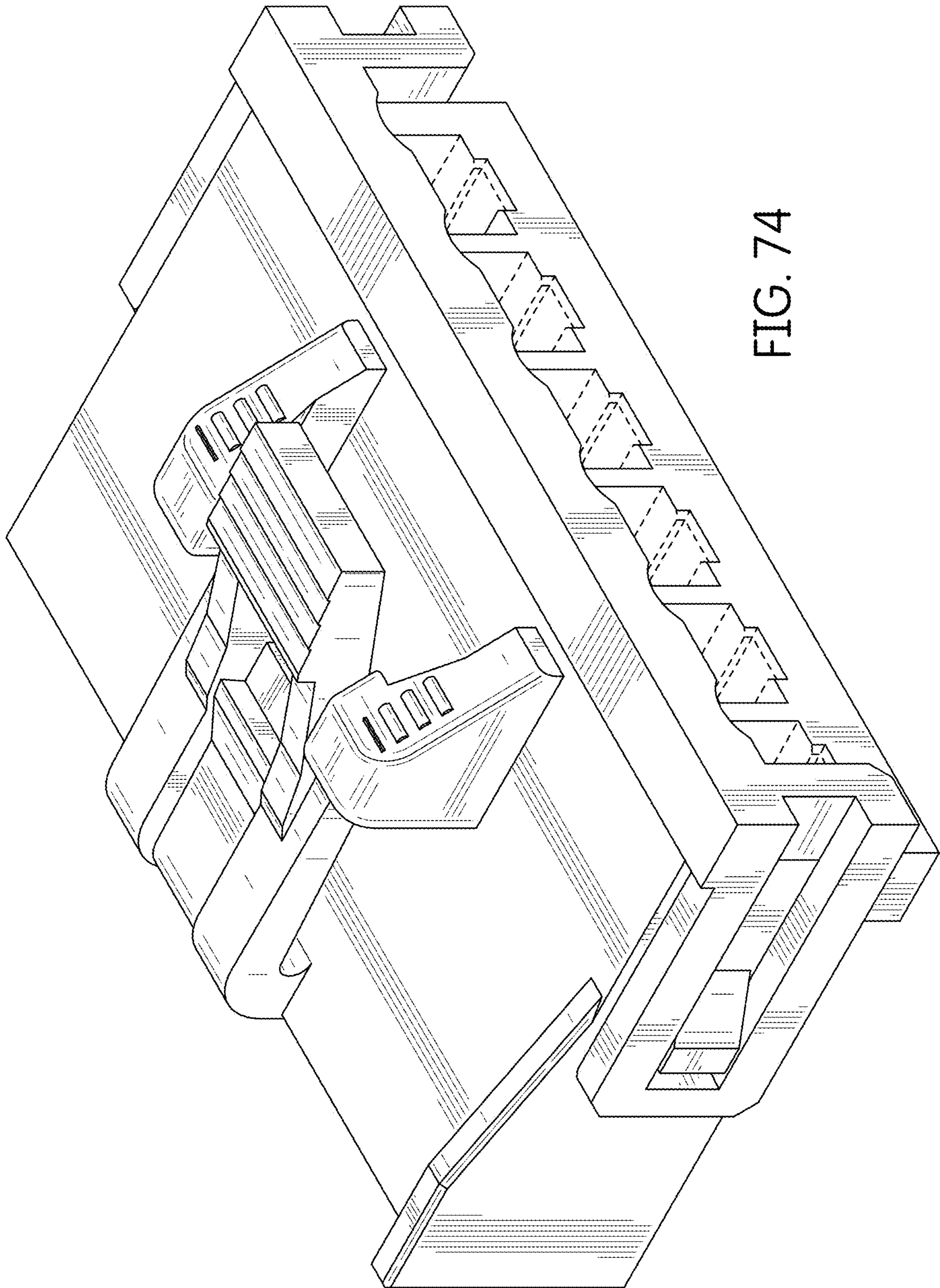


FIG. 74

FIG. 75

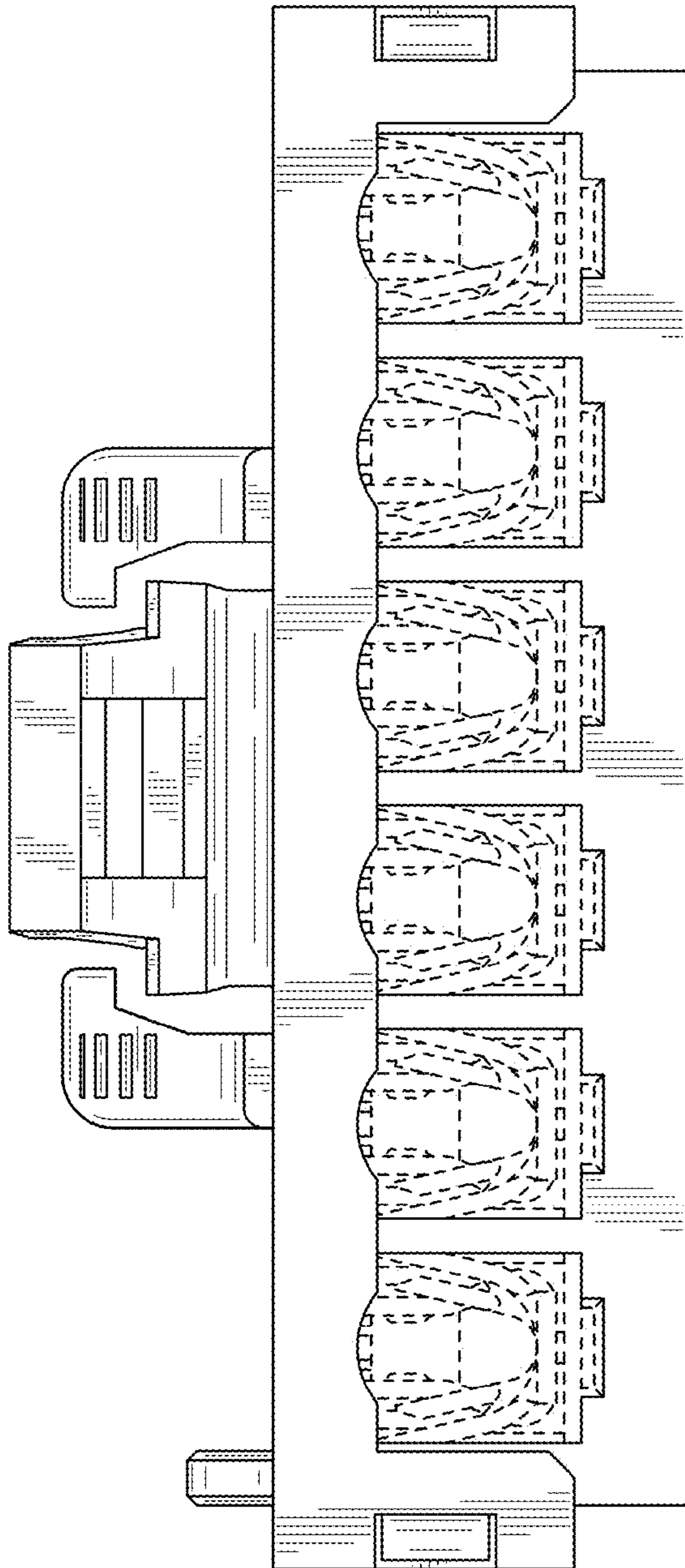
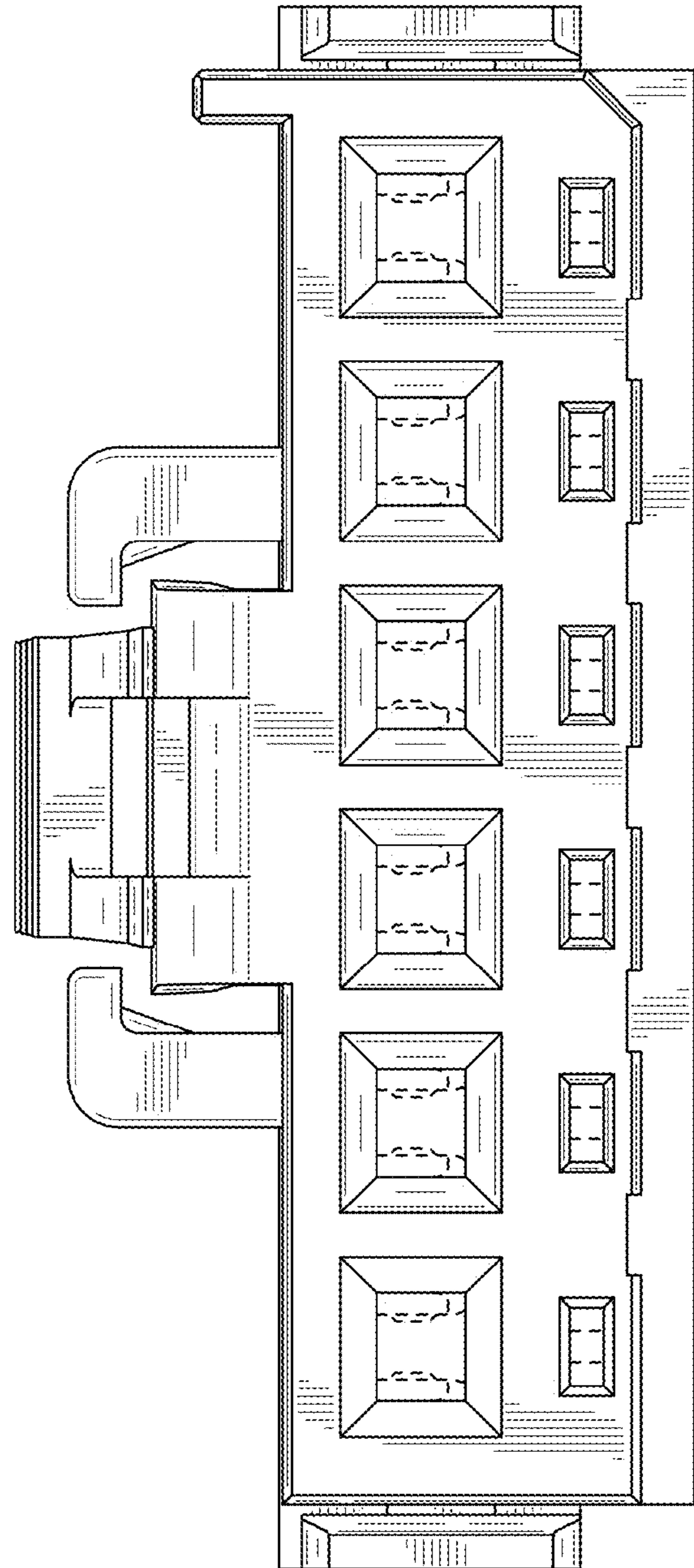


FIG. 76



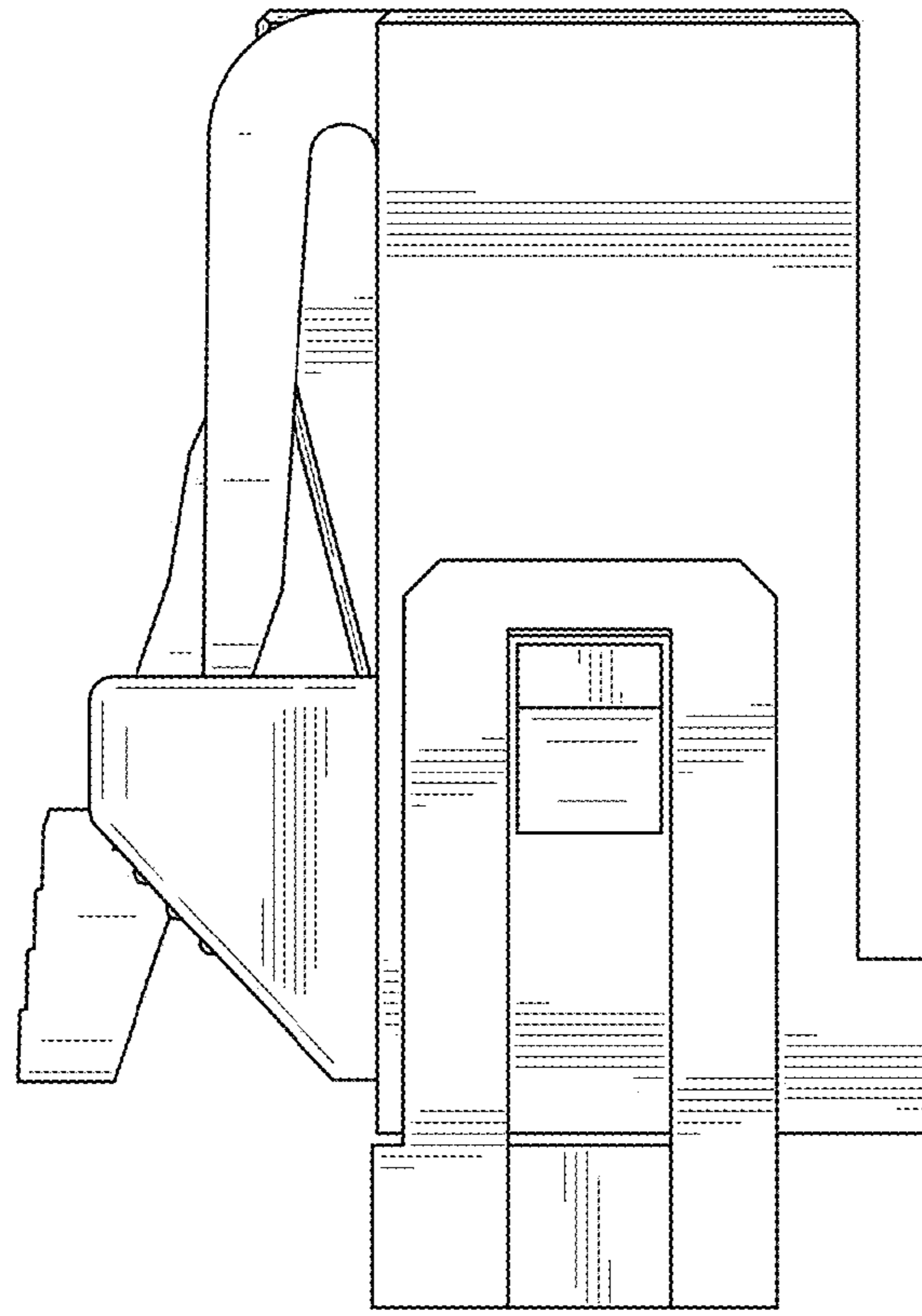


FIG. 78

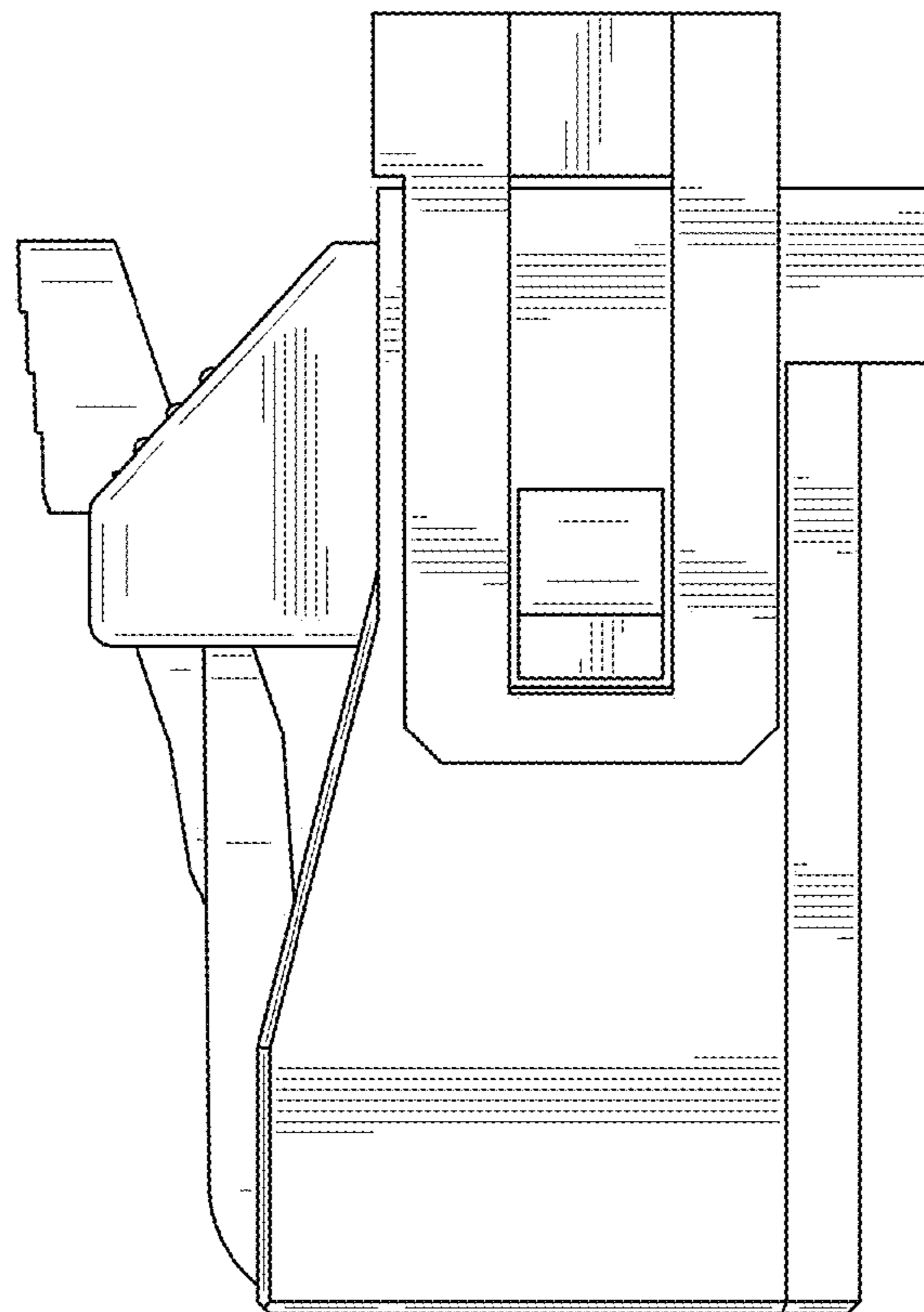


FIG. 77

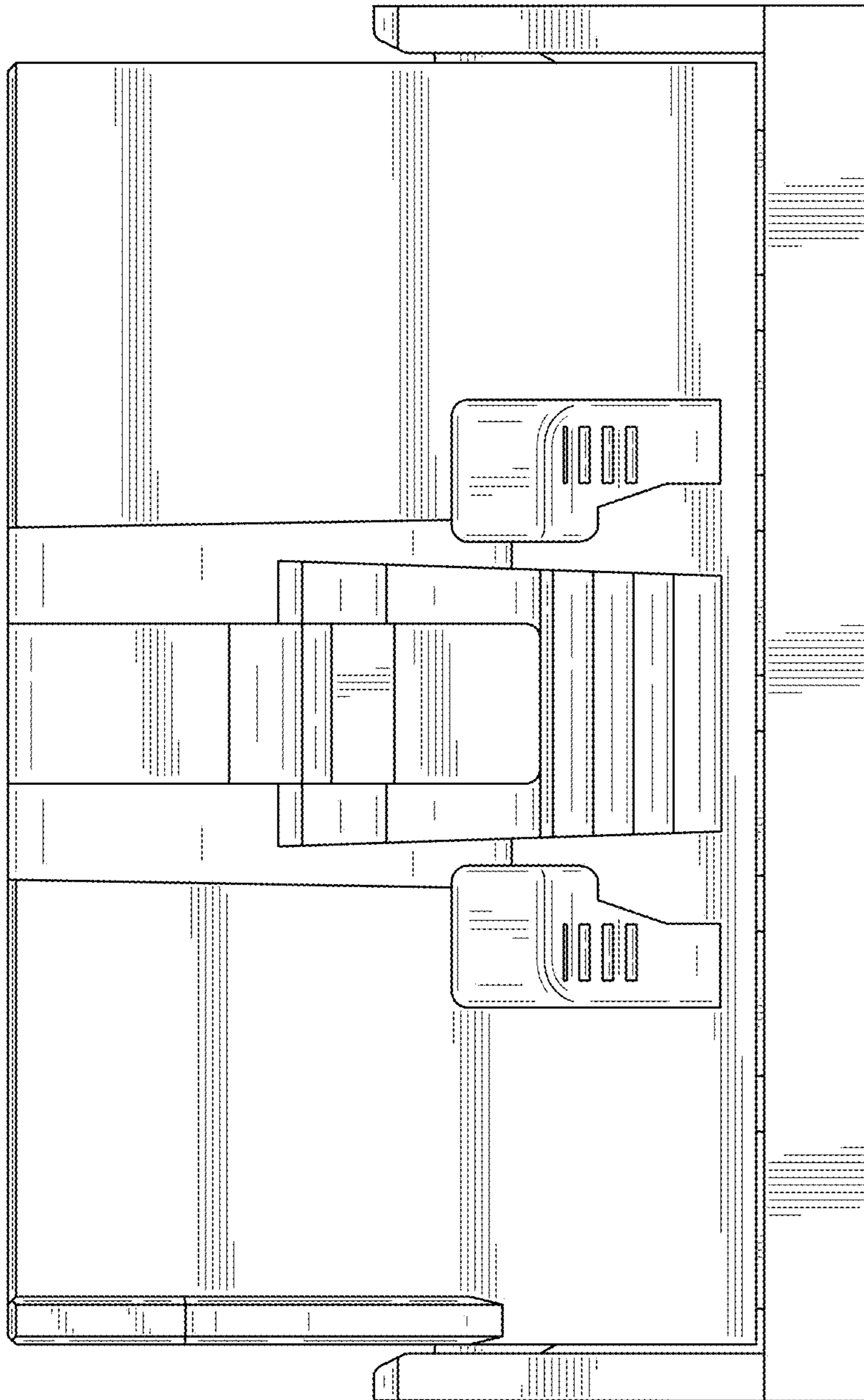


FIG. 79

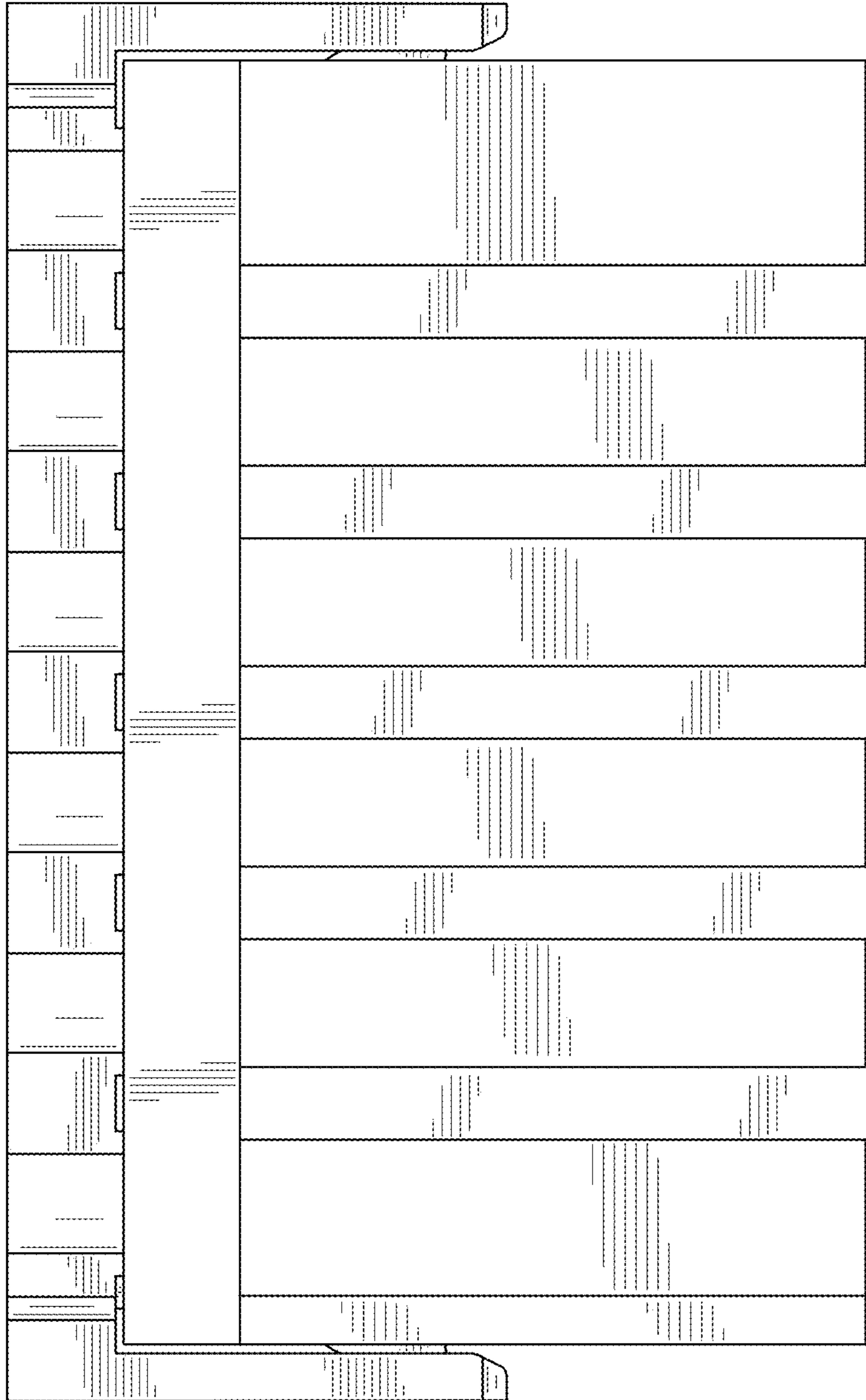


FIG. 80

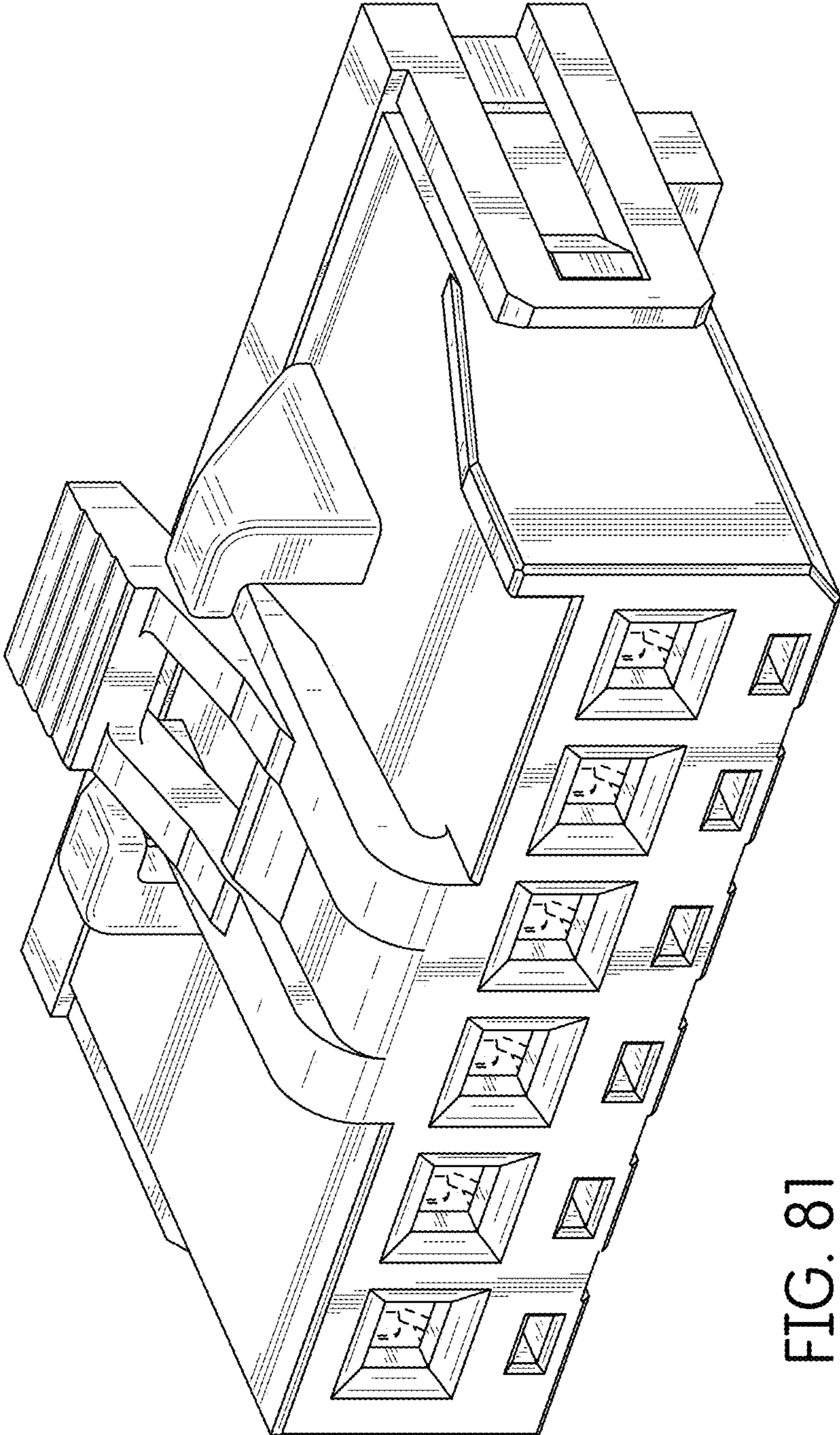


FIG. 81

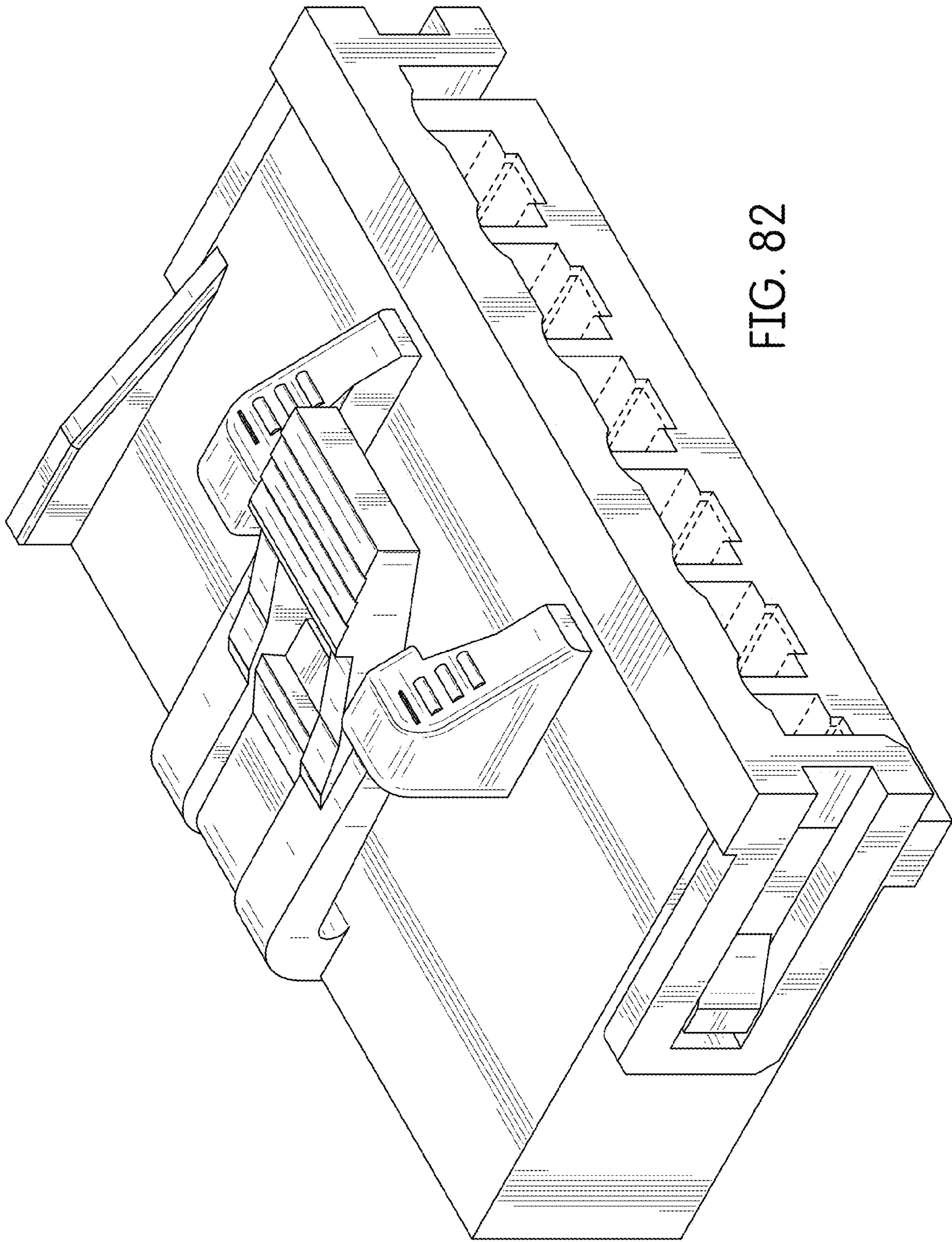


FIG. 82

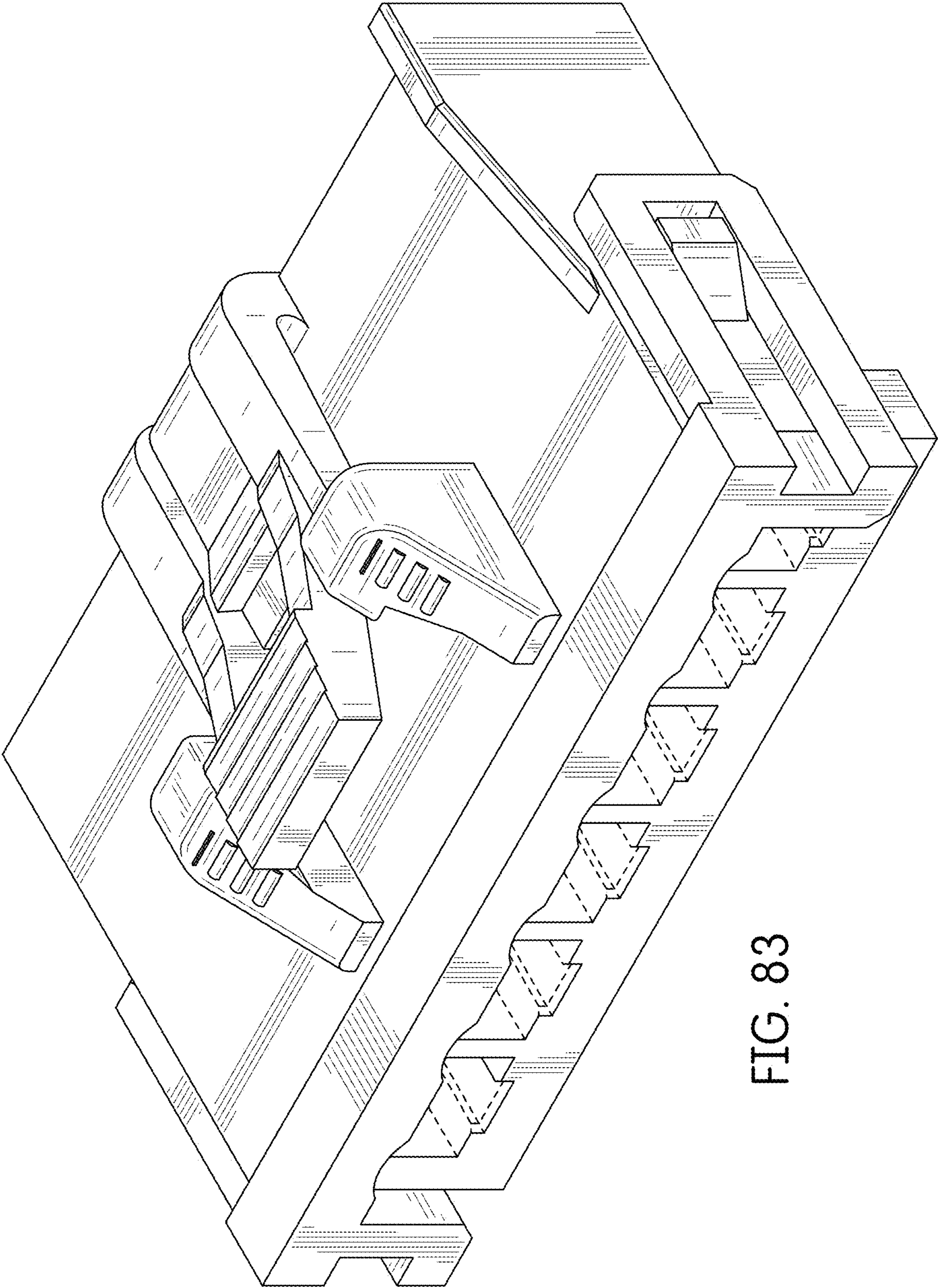


FIG. 83

FIG. 84

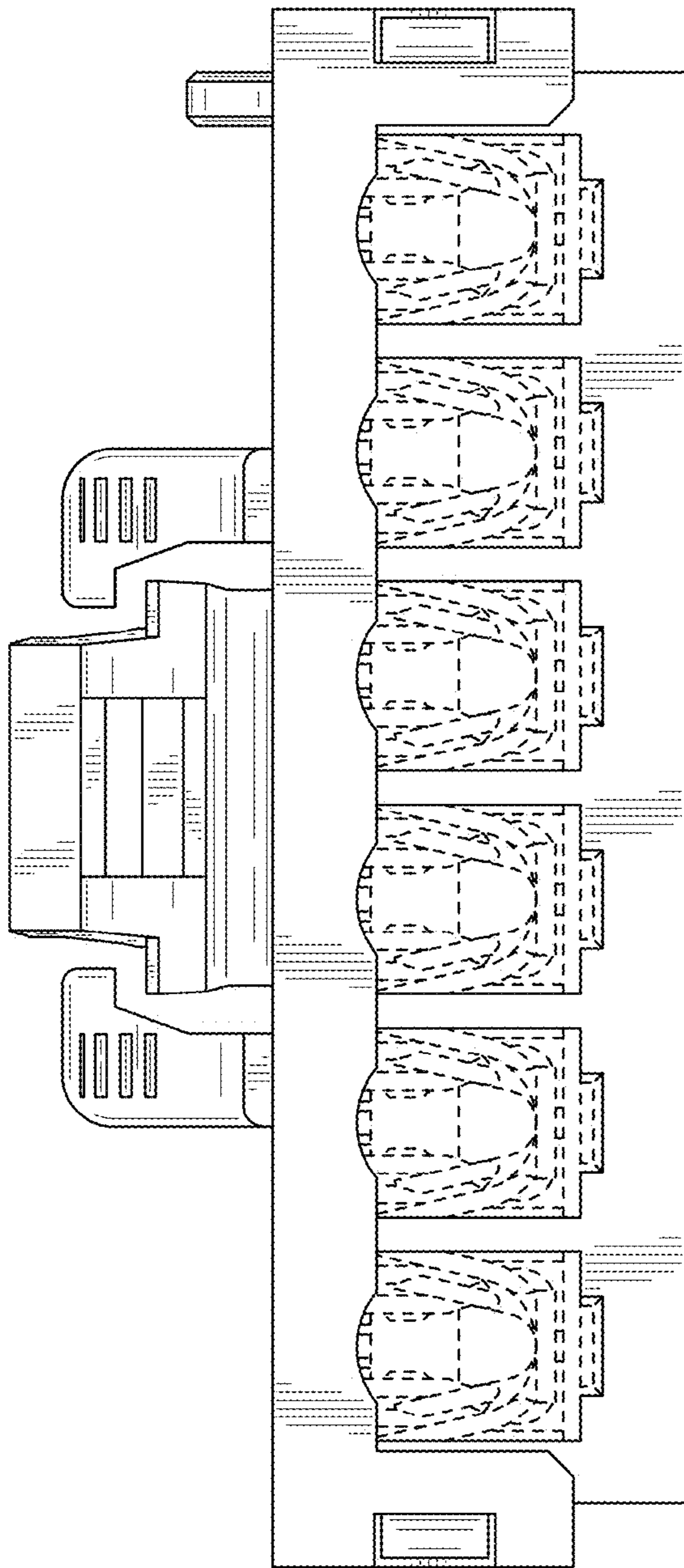
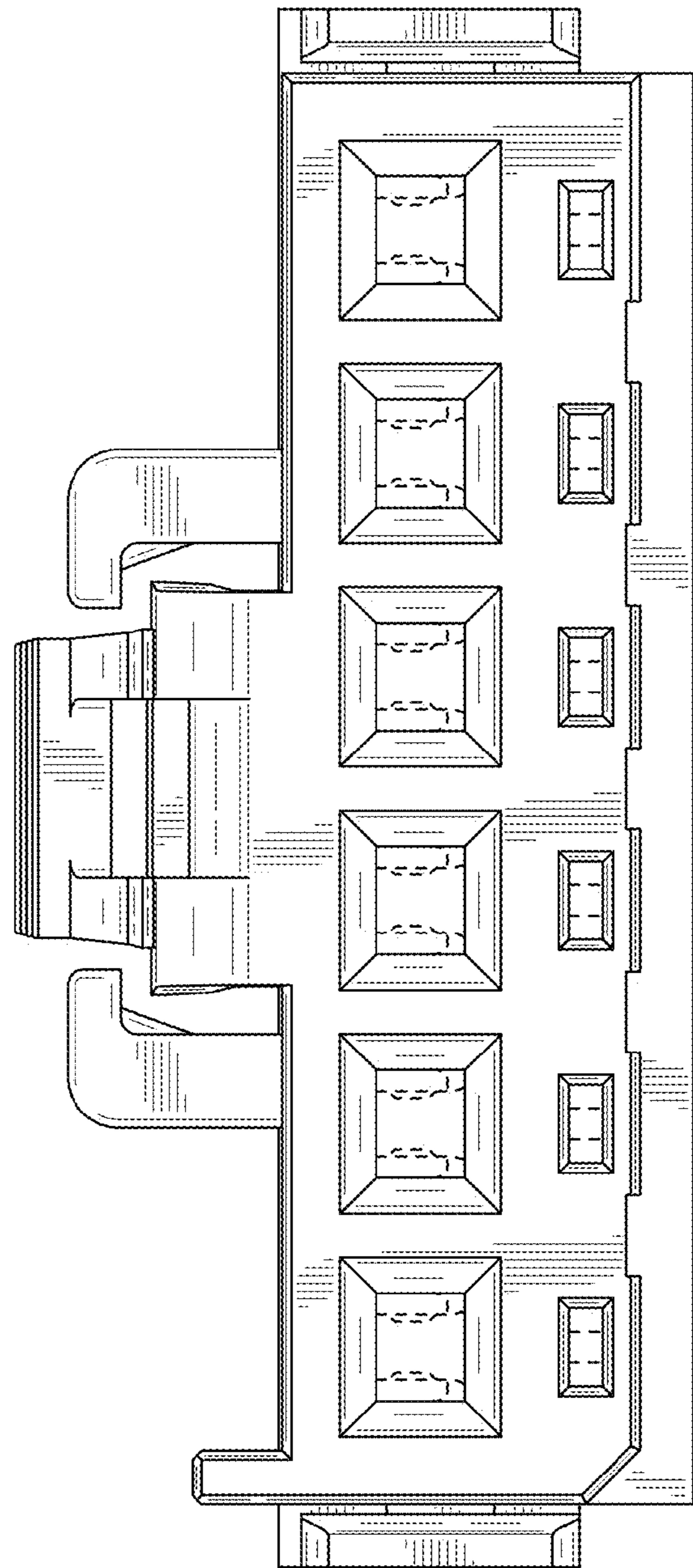


FIG. 85



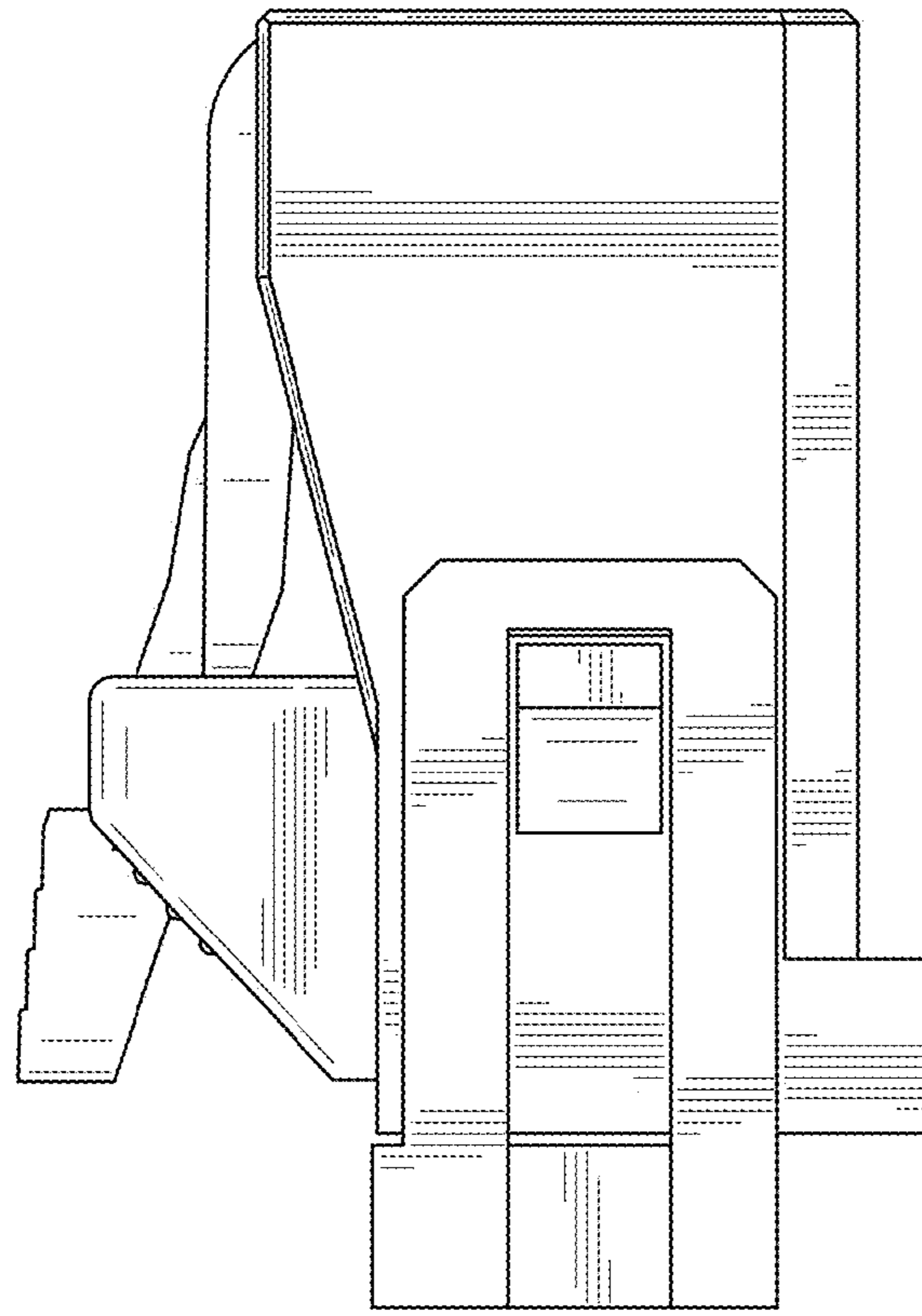


FIG. 87

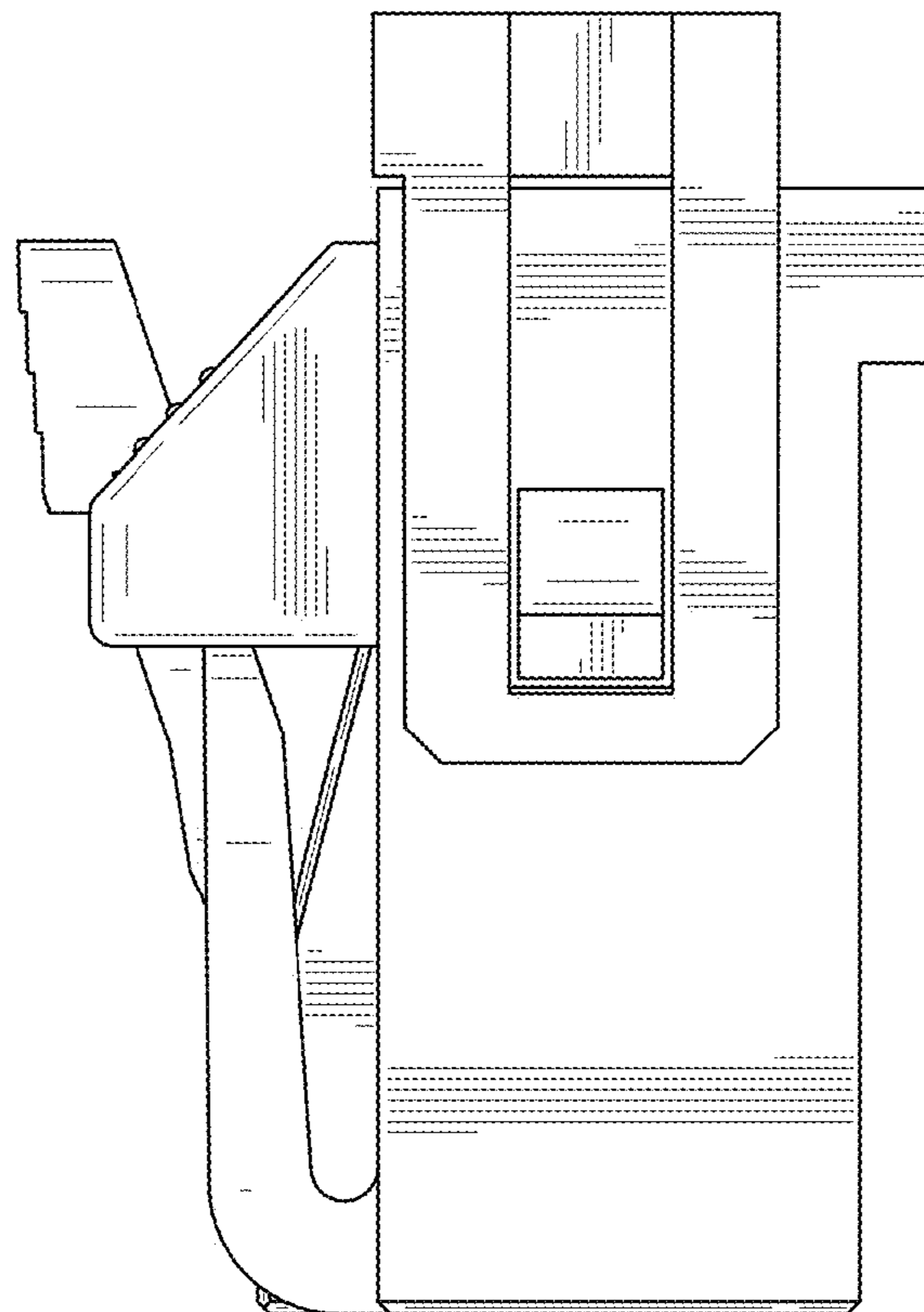


FIG. 86

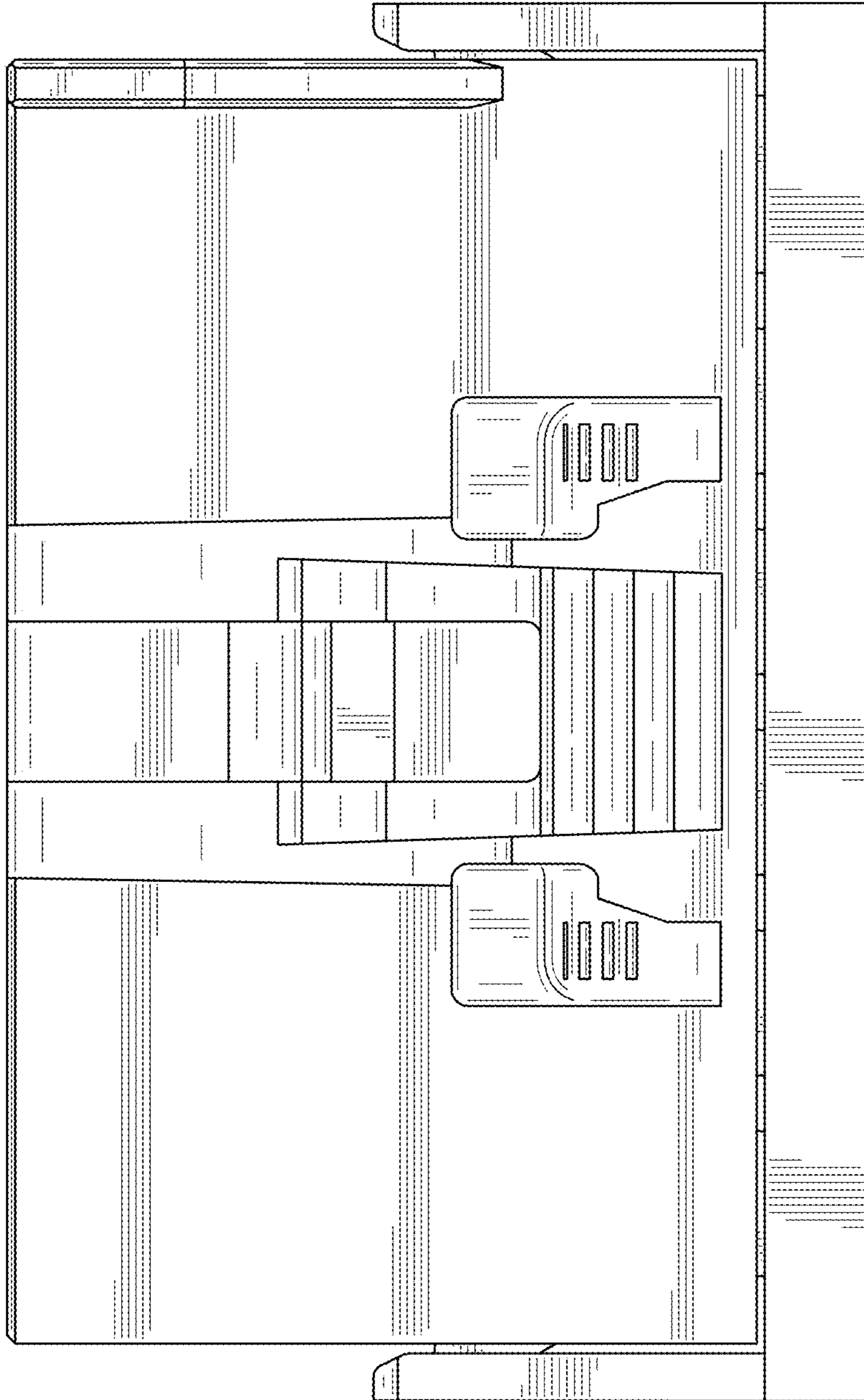


FIG. 88

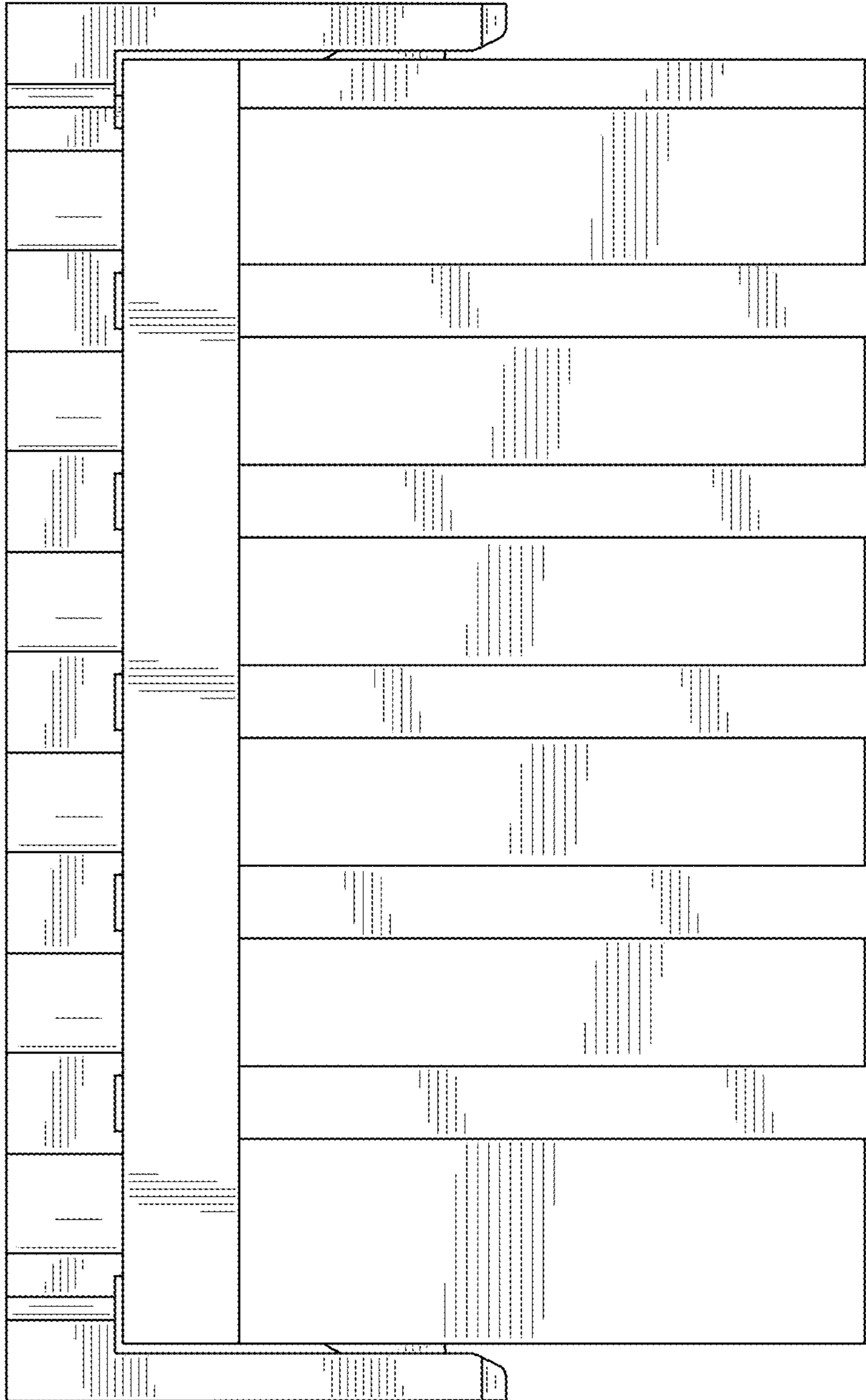


FIG. 89

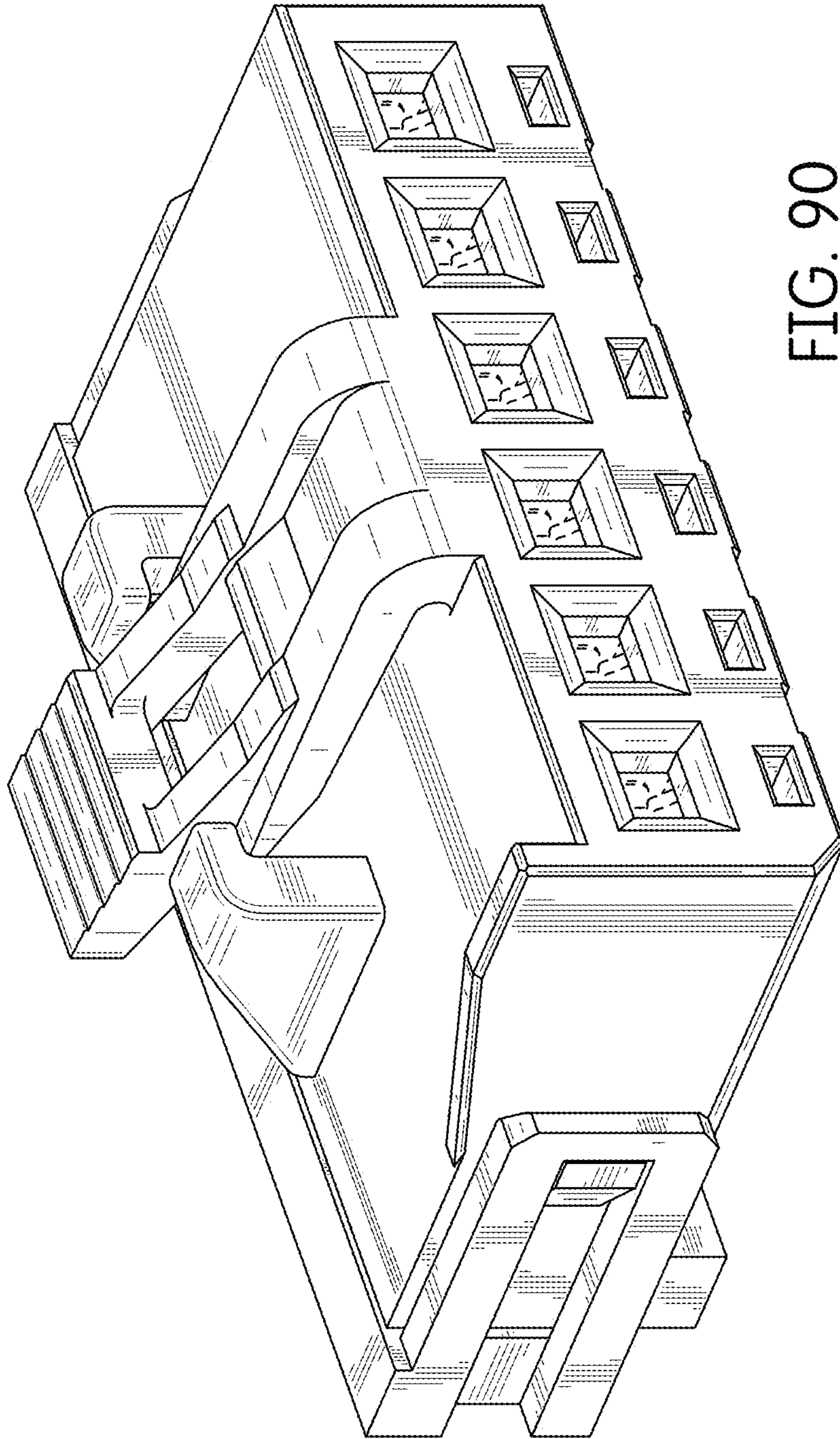


FIG. 90

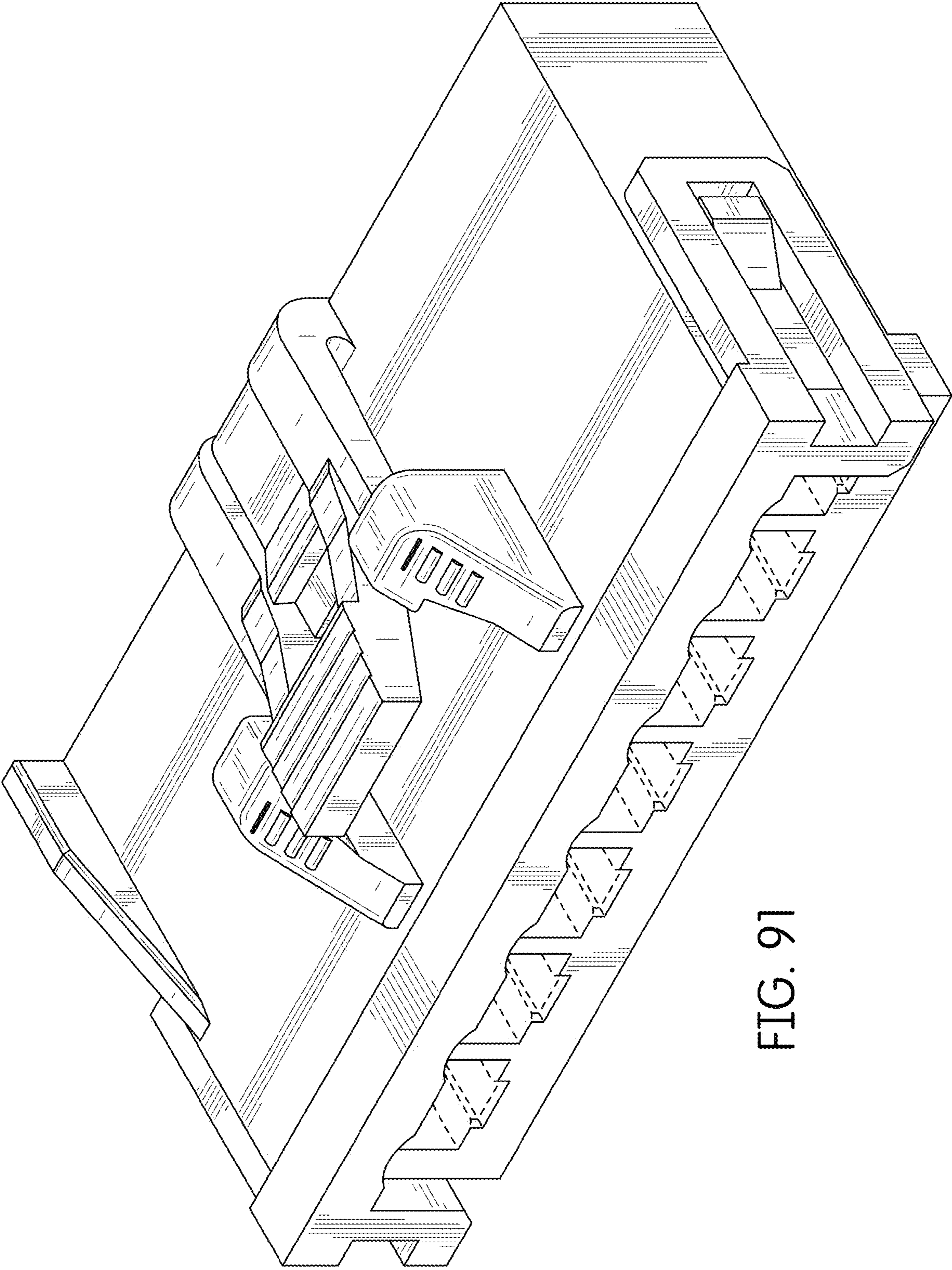


FIG. 91

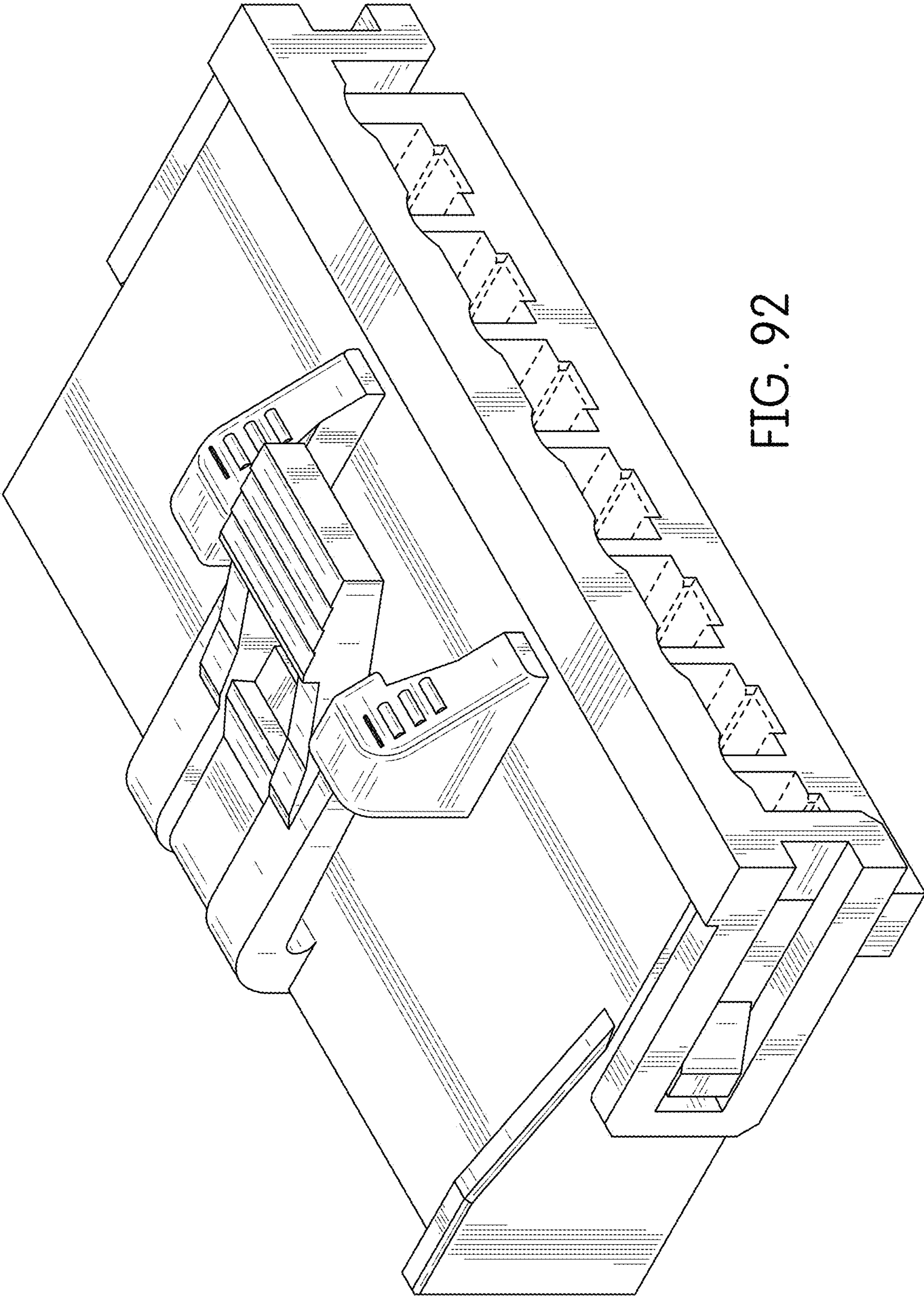


FIG. 92

FIG. 93

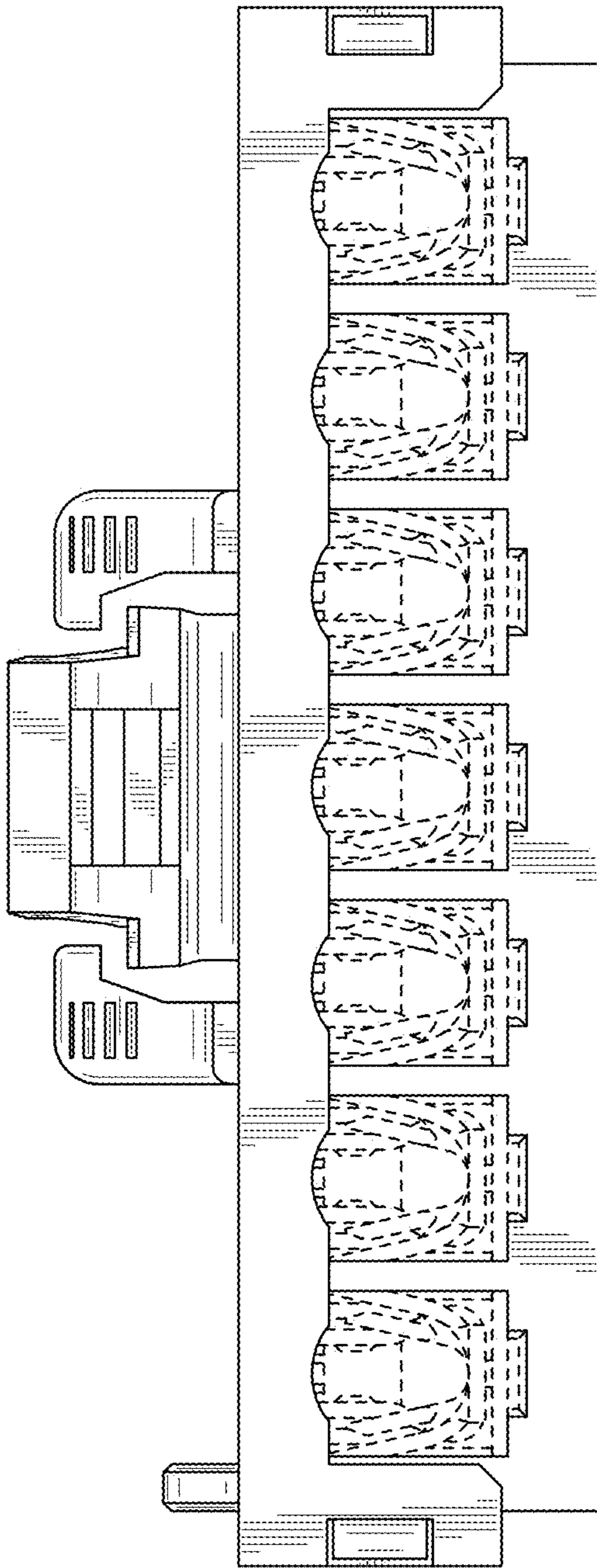
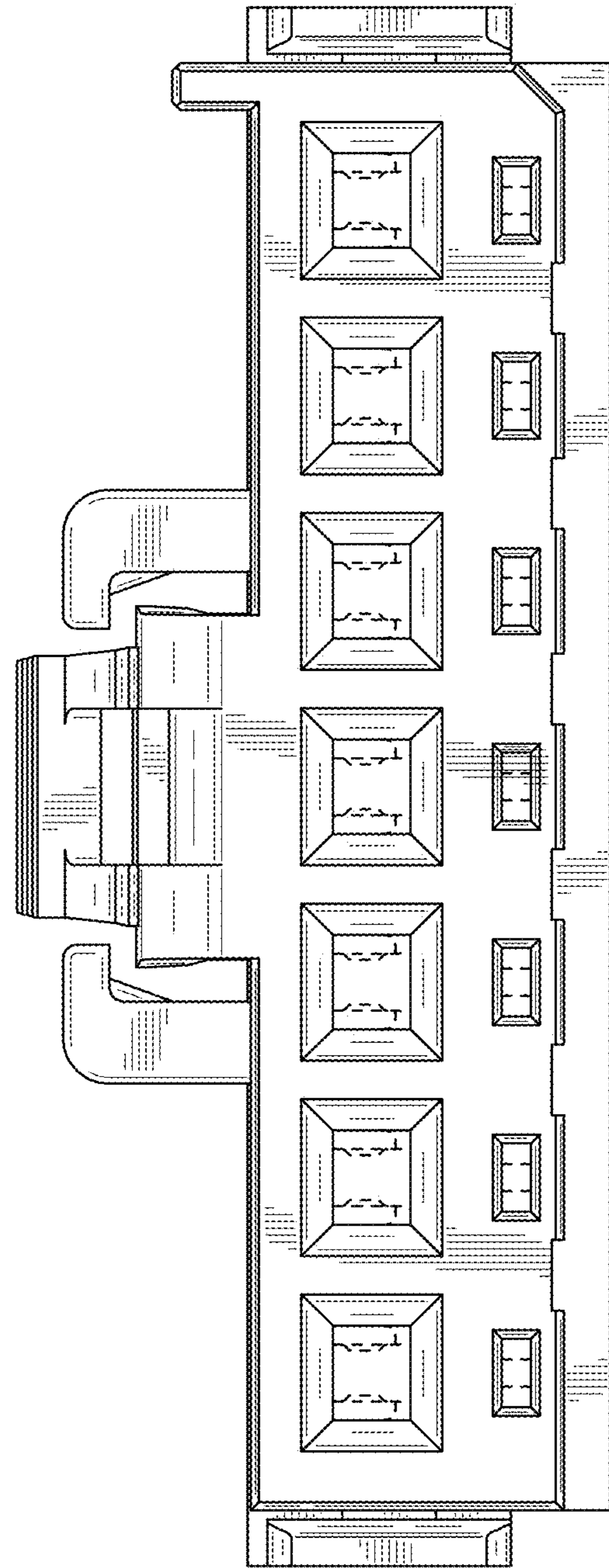


FIG. 94



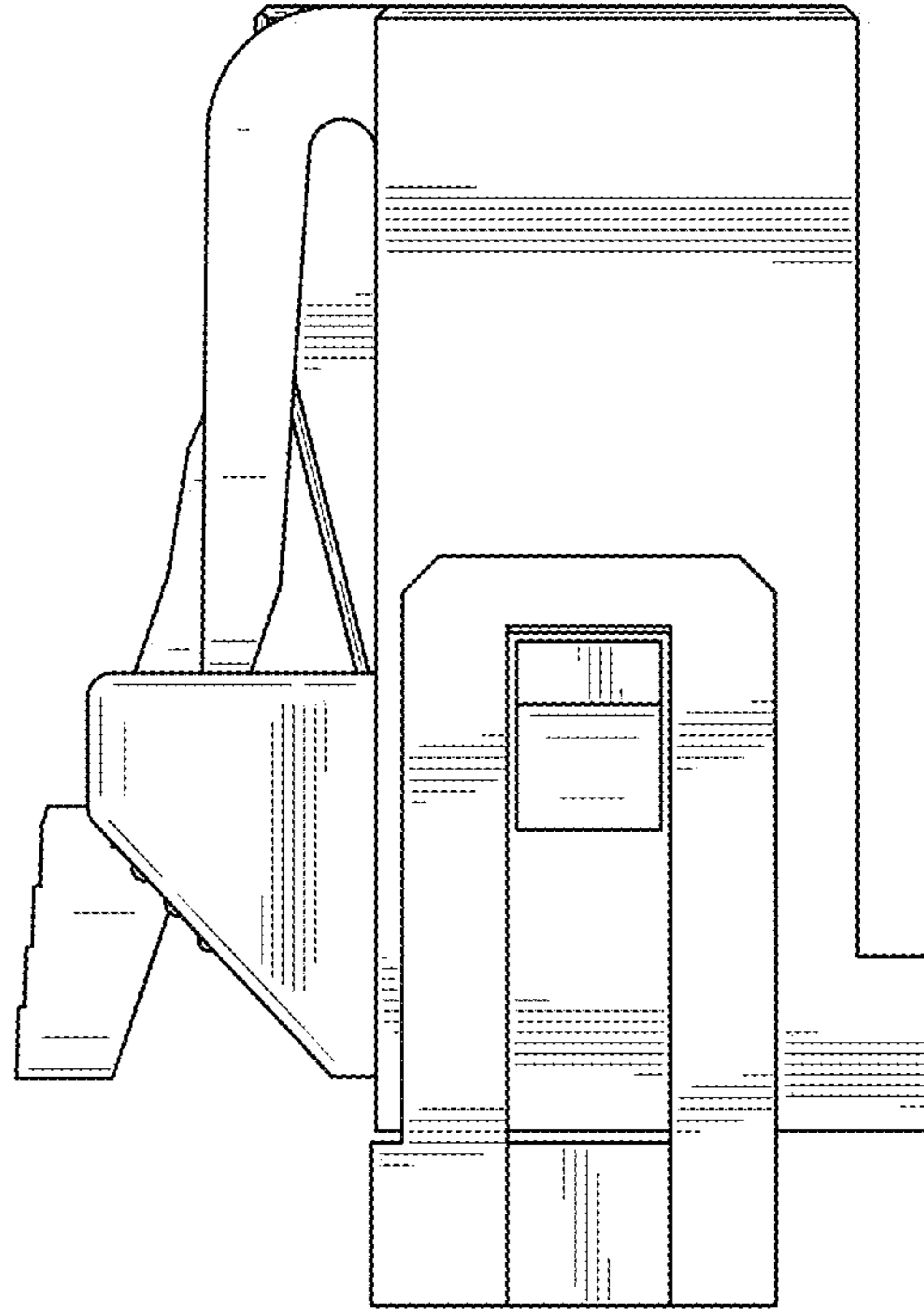


FIG. 96

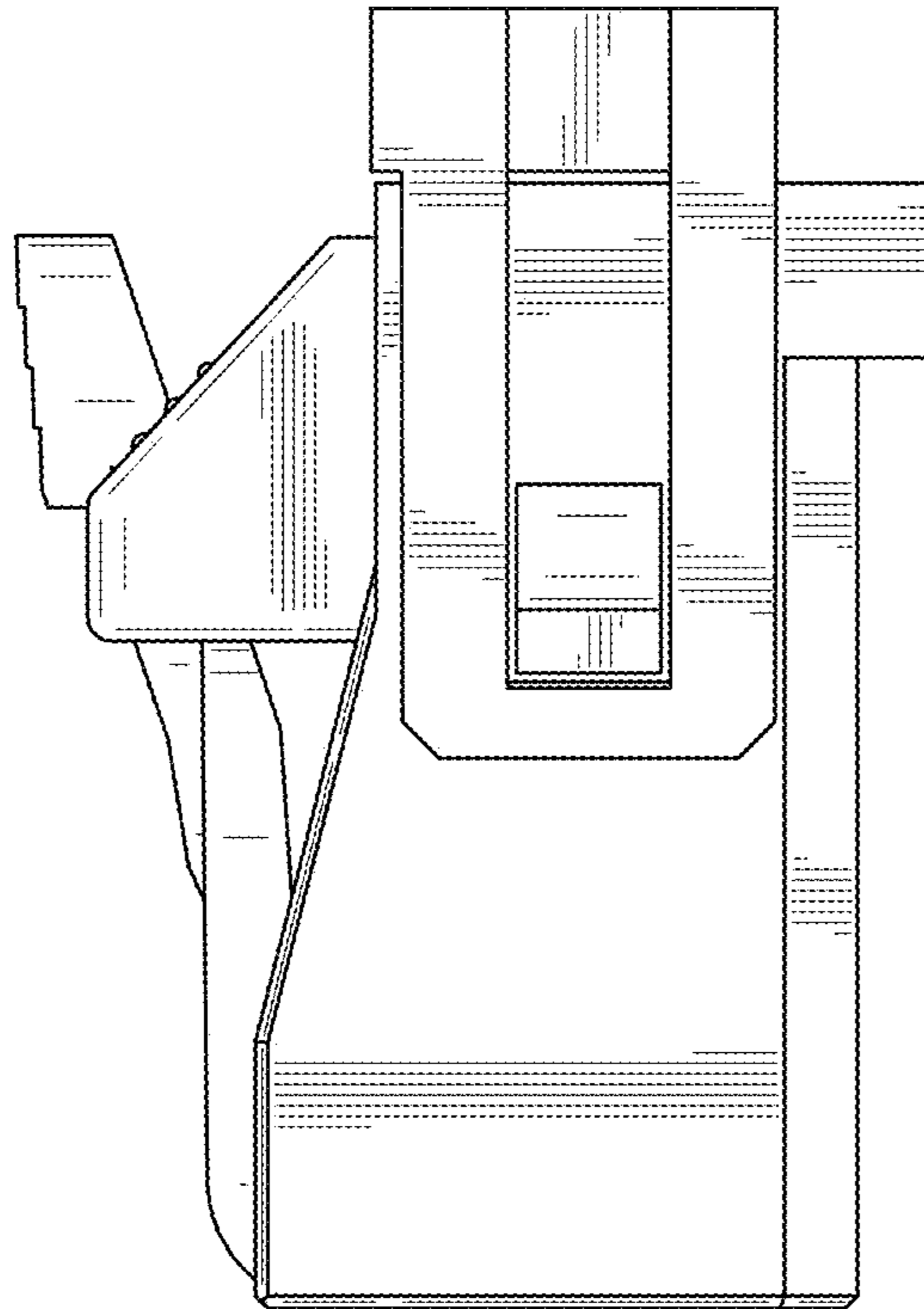


FIG. 95

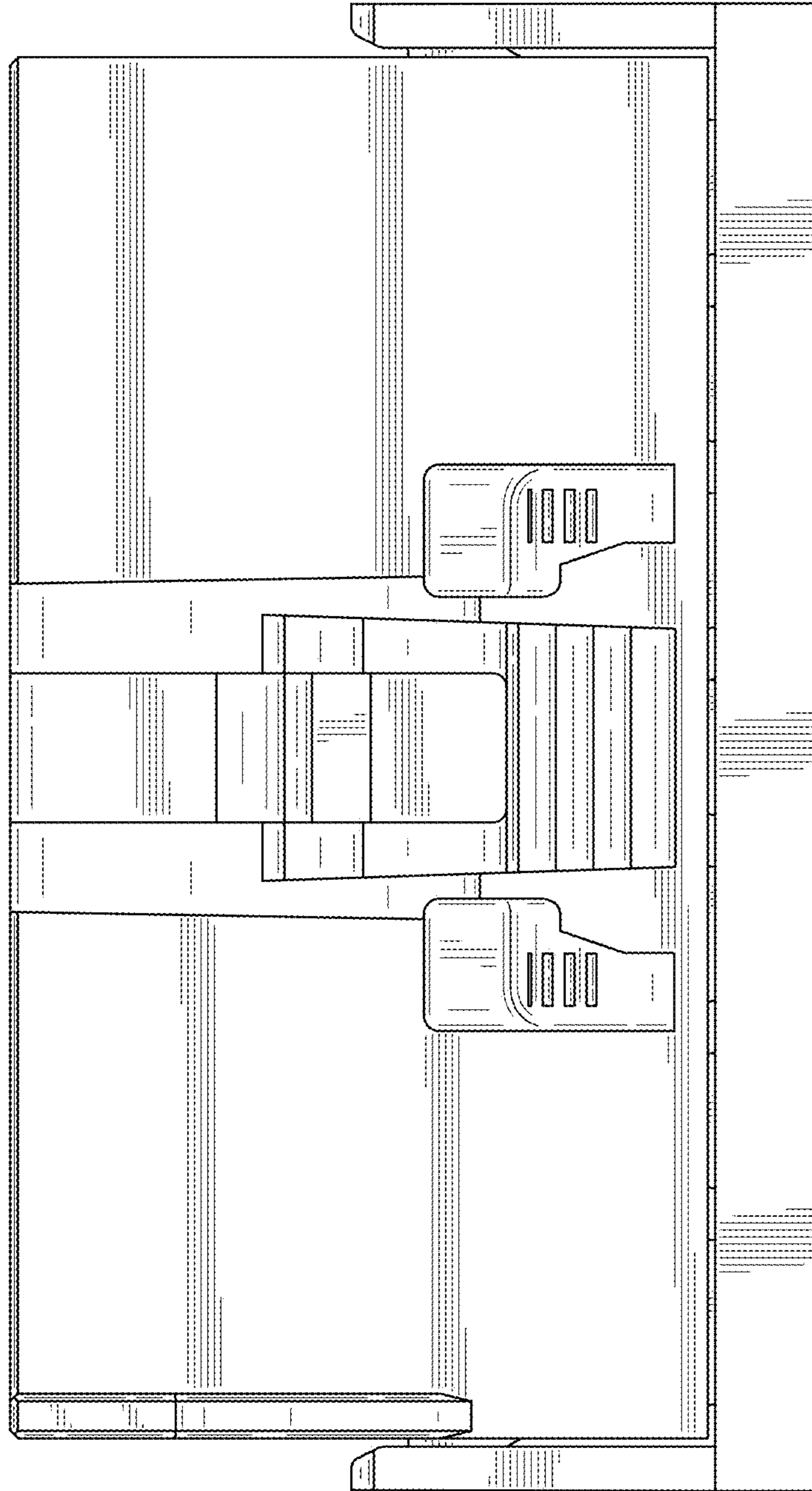


FIG. 97

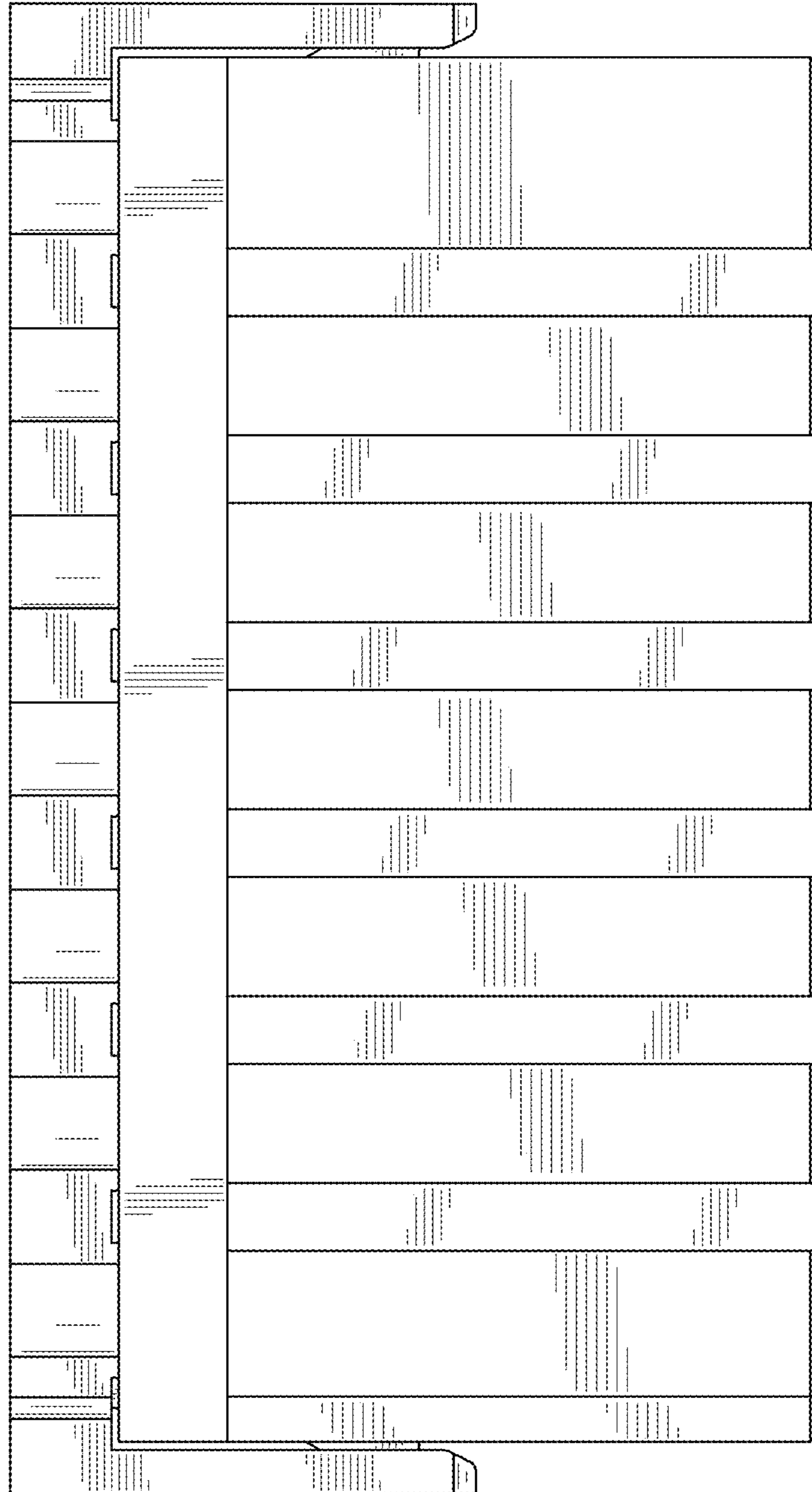


FIG. 98

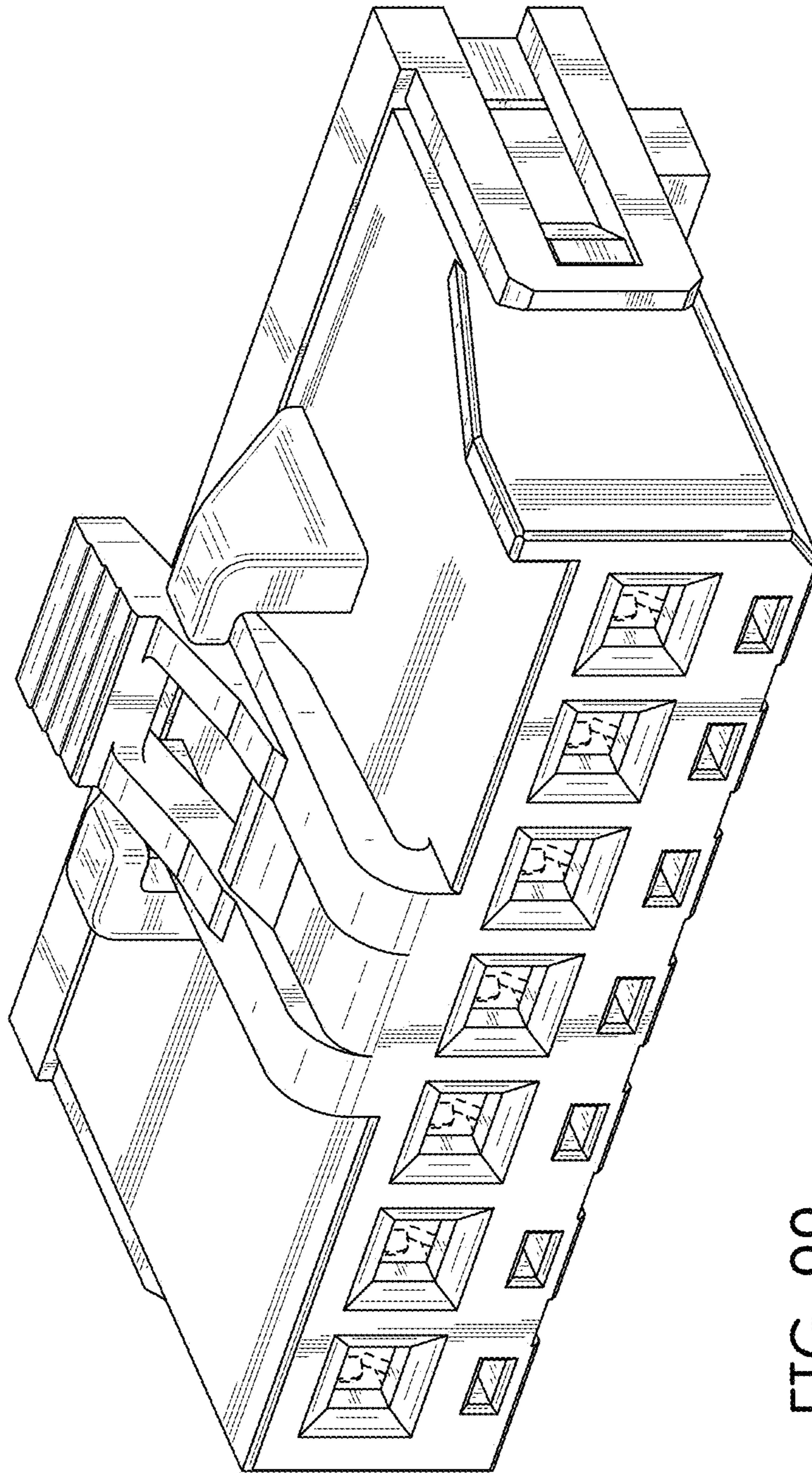


FIG. 99

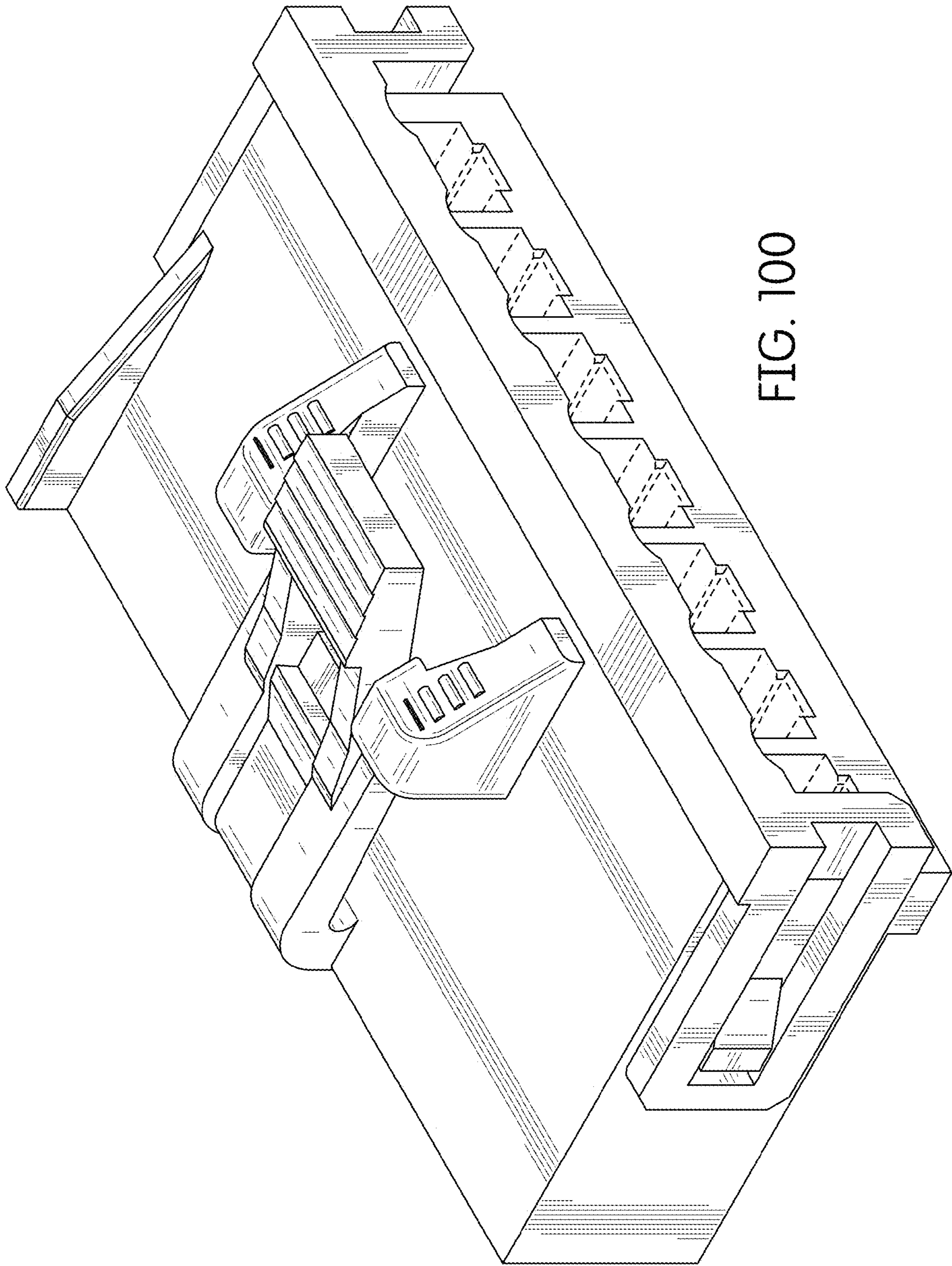


FIG. 100

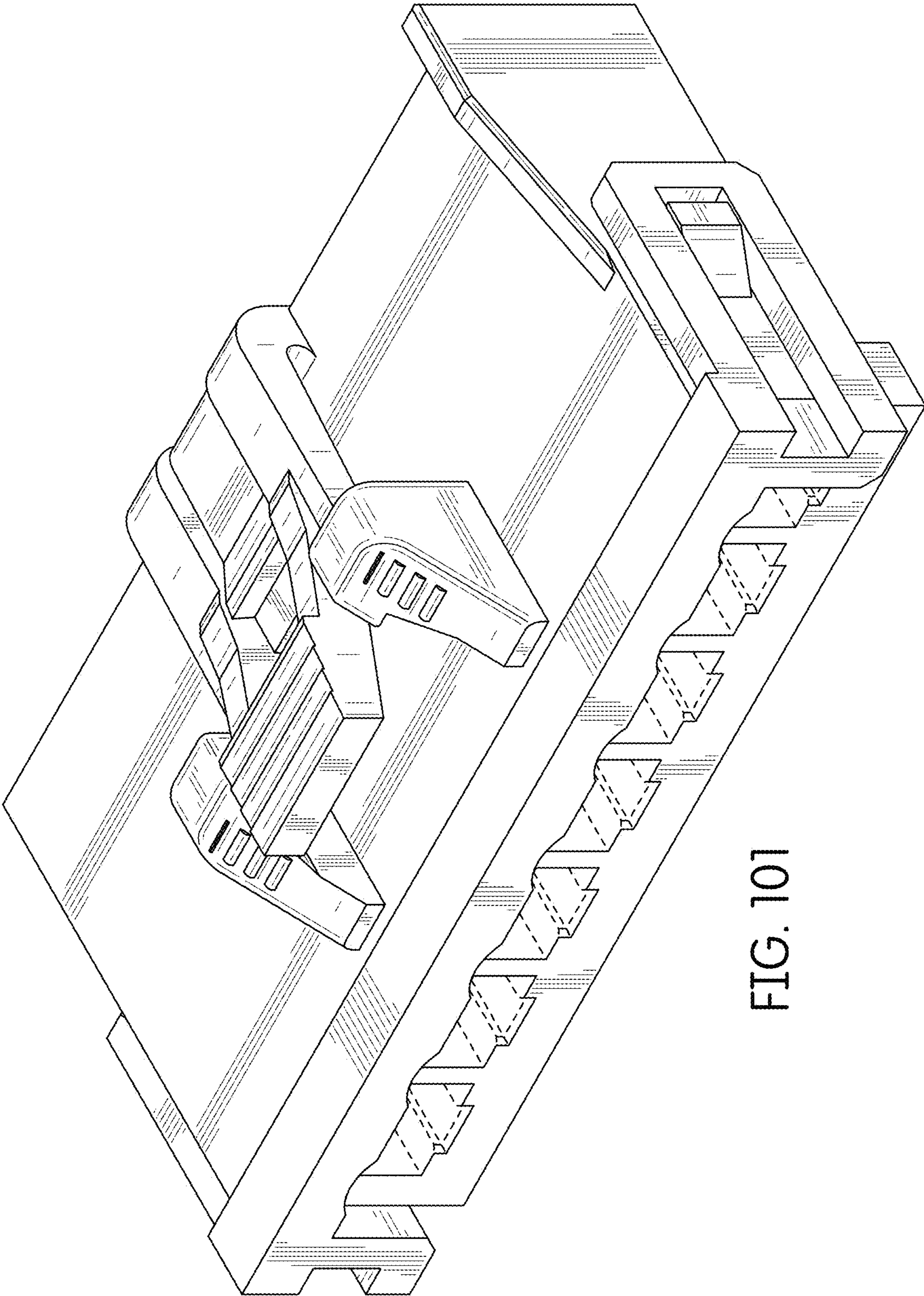


FIG. 101

FIG. 102

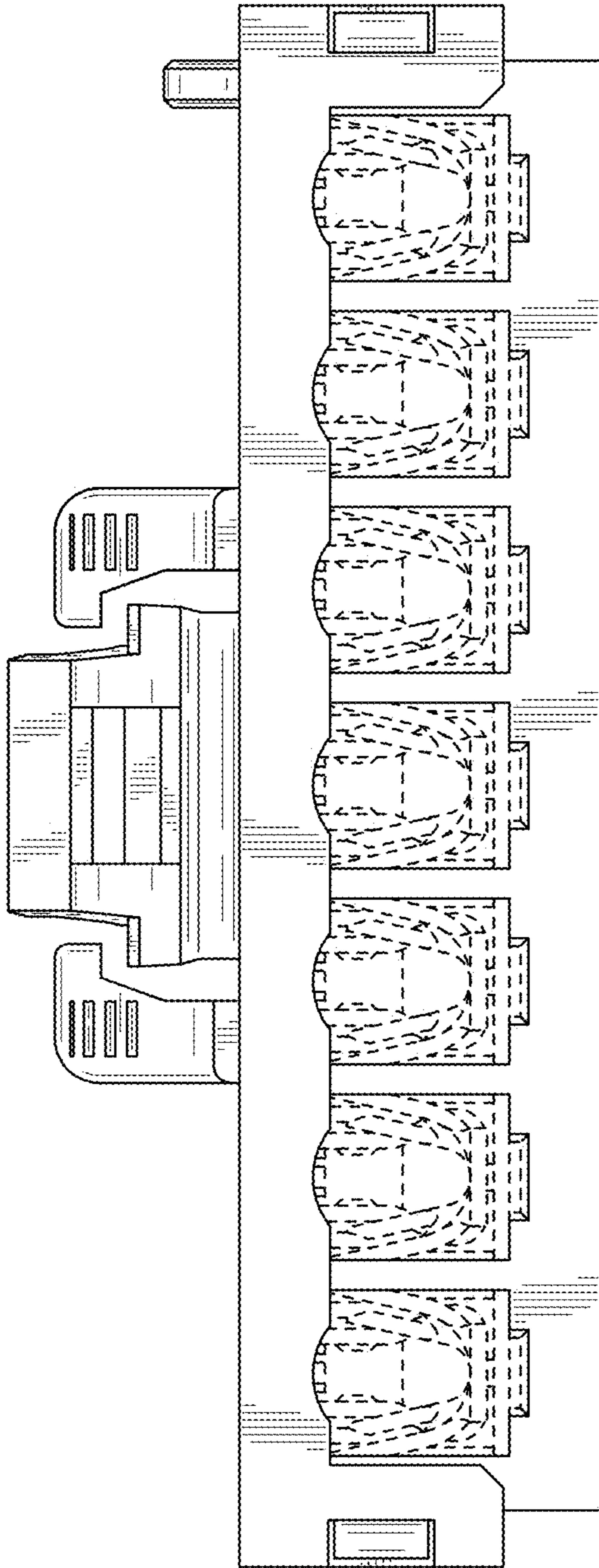
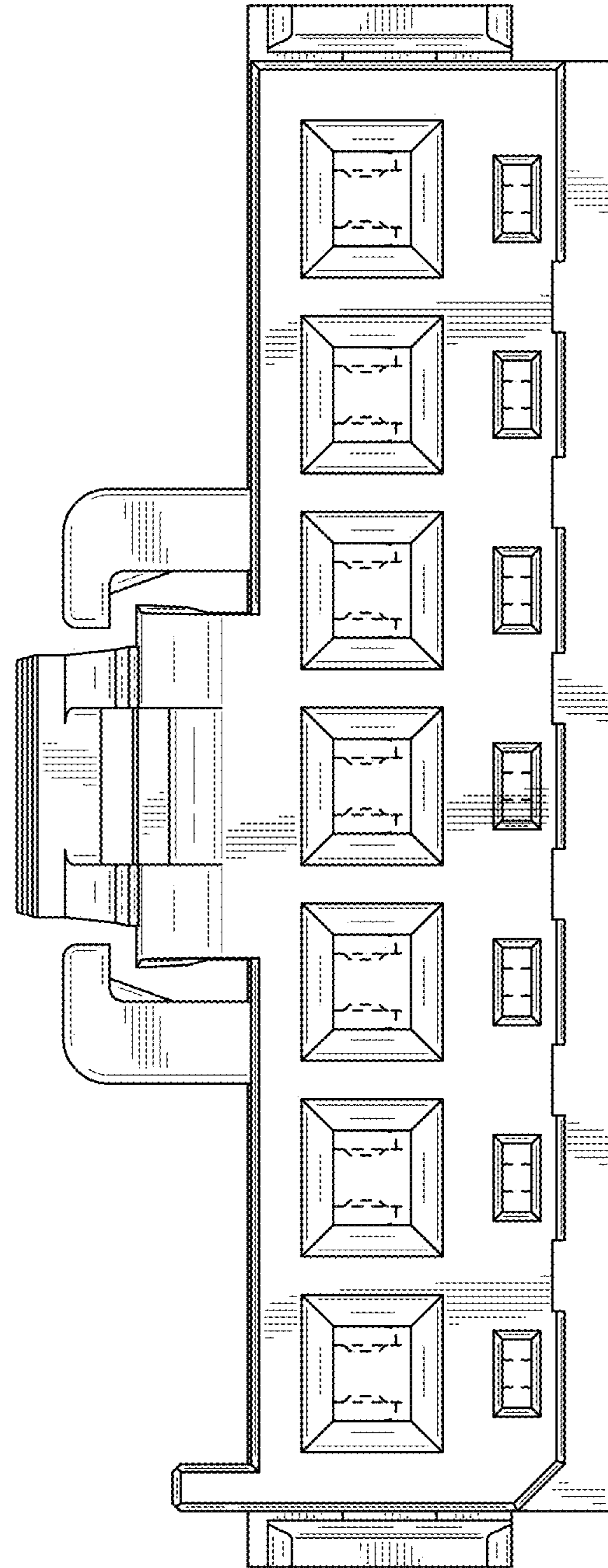


FIG. 103



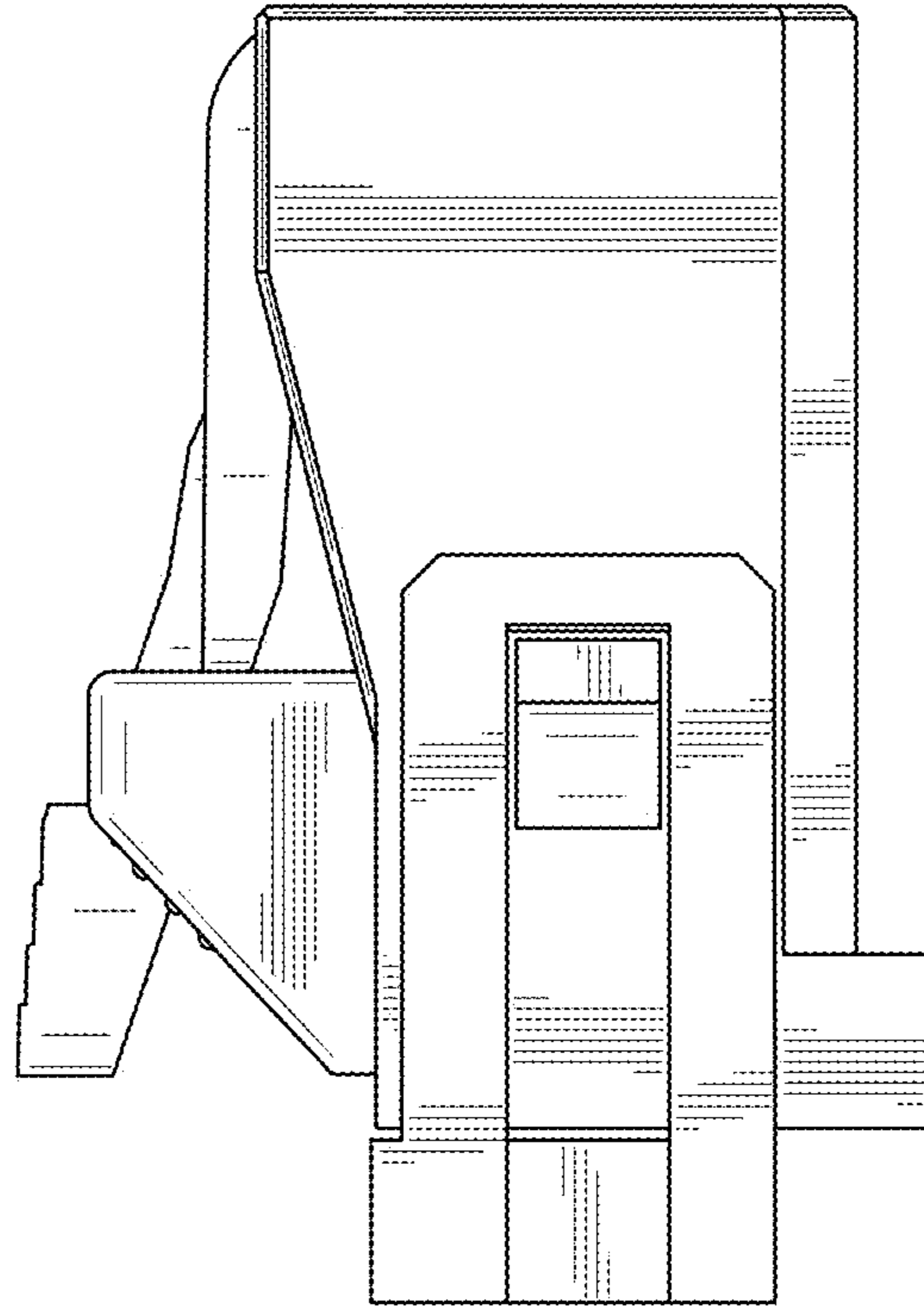


FIG. 105

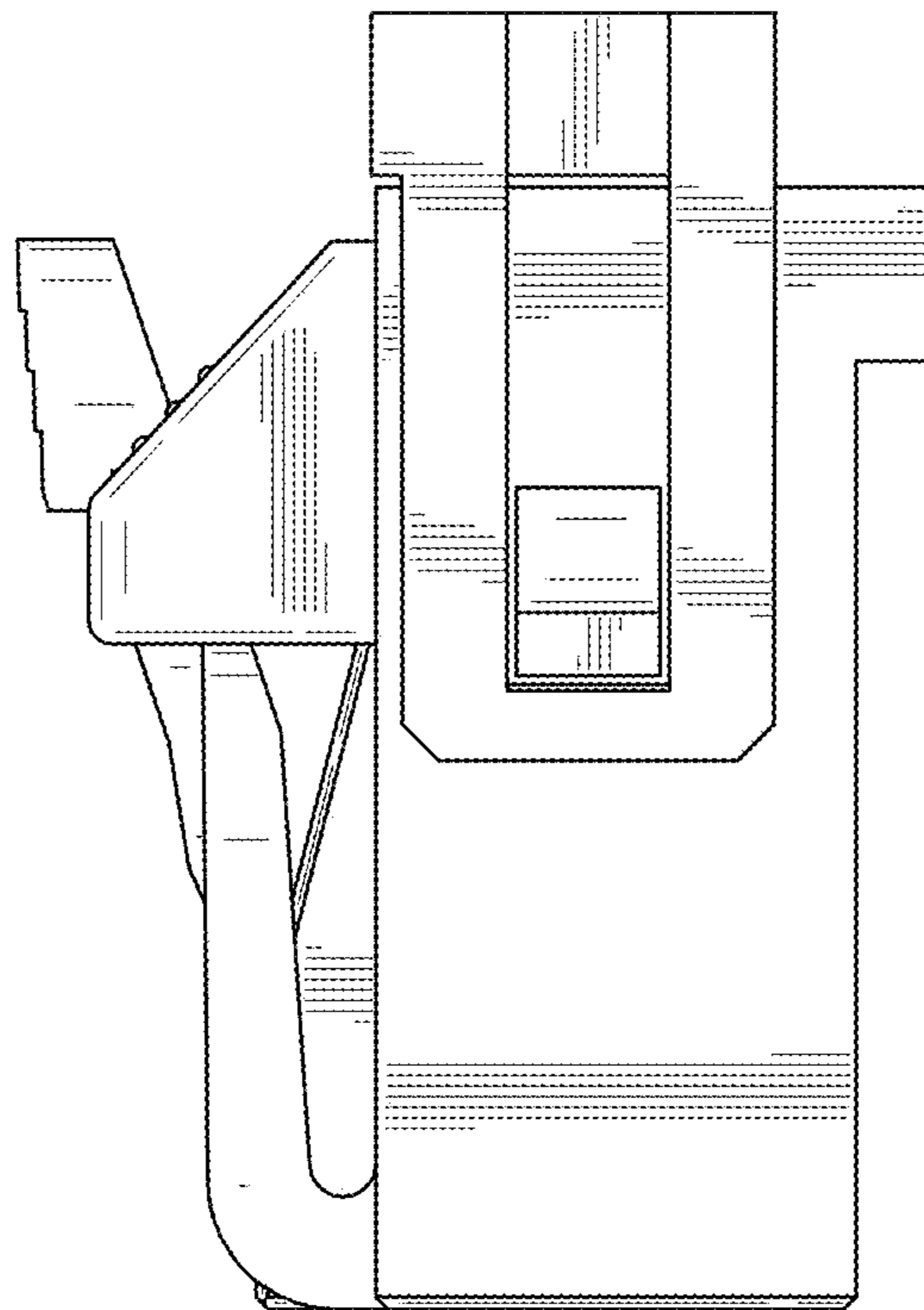


FIG. 104

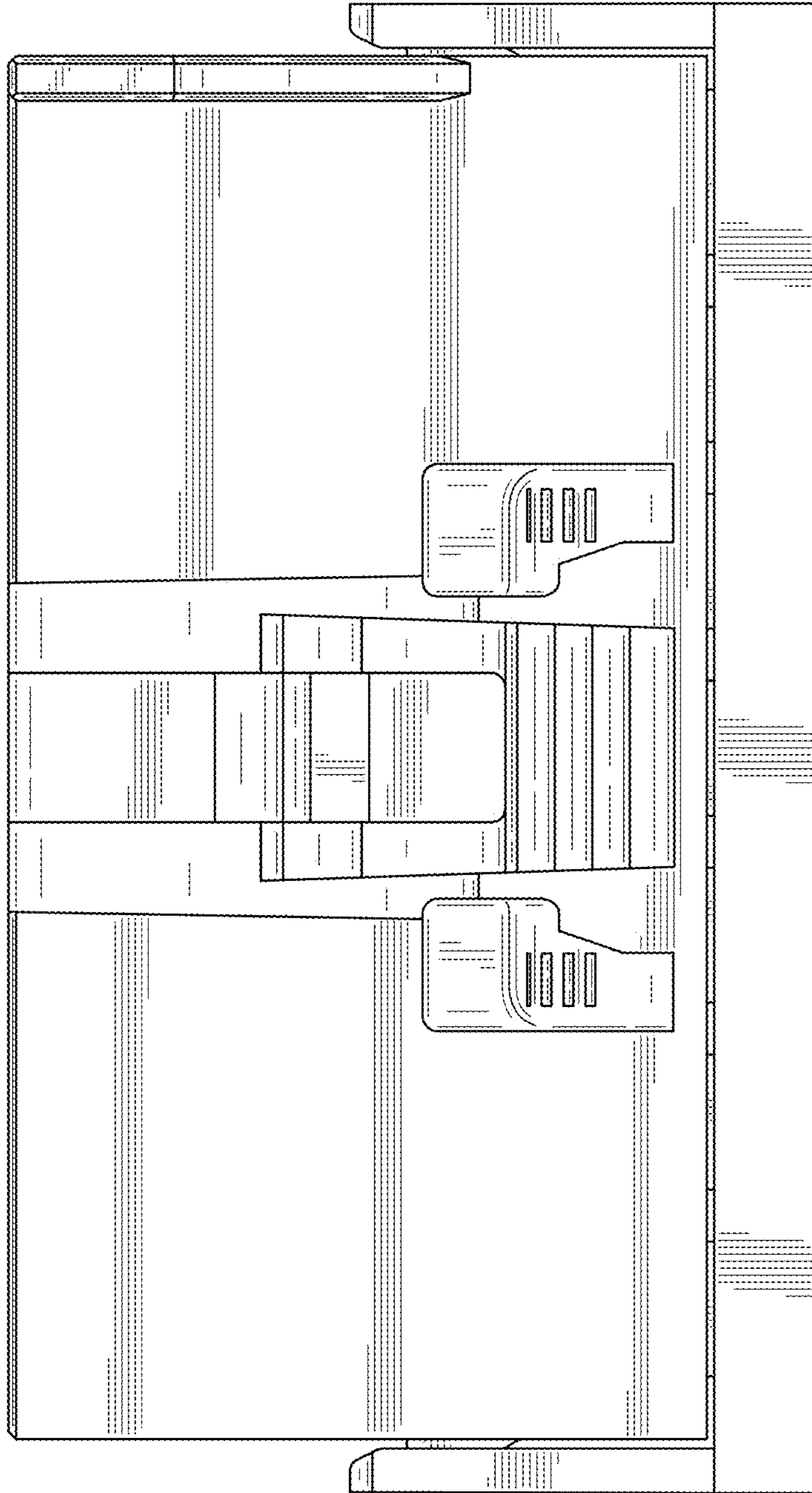


FIG. 106

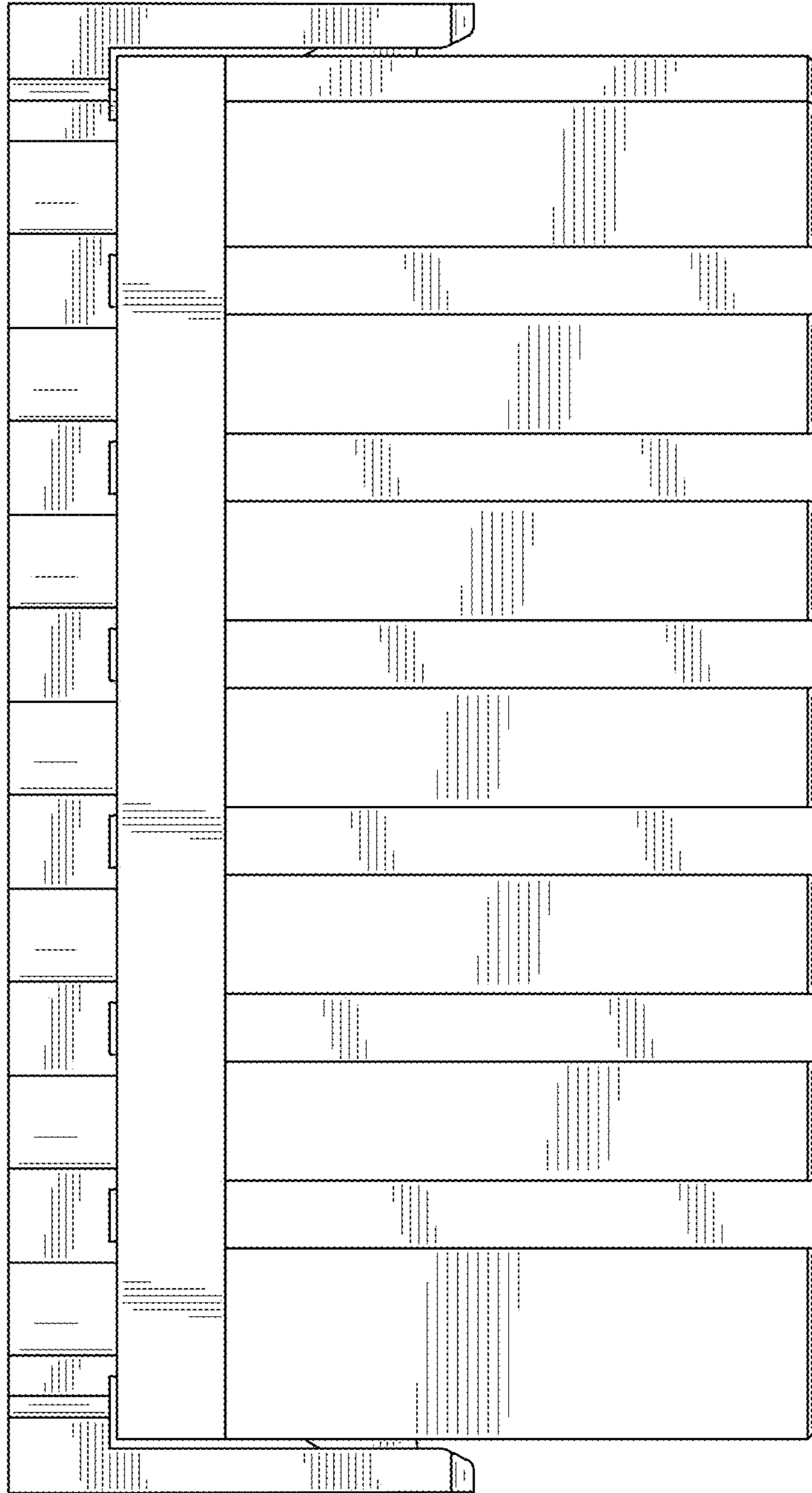


FIG. 107

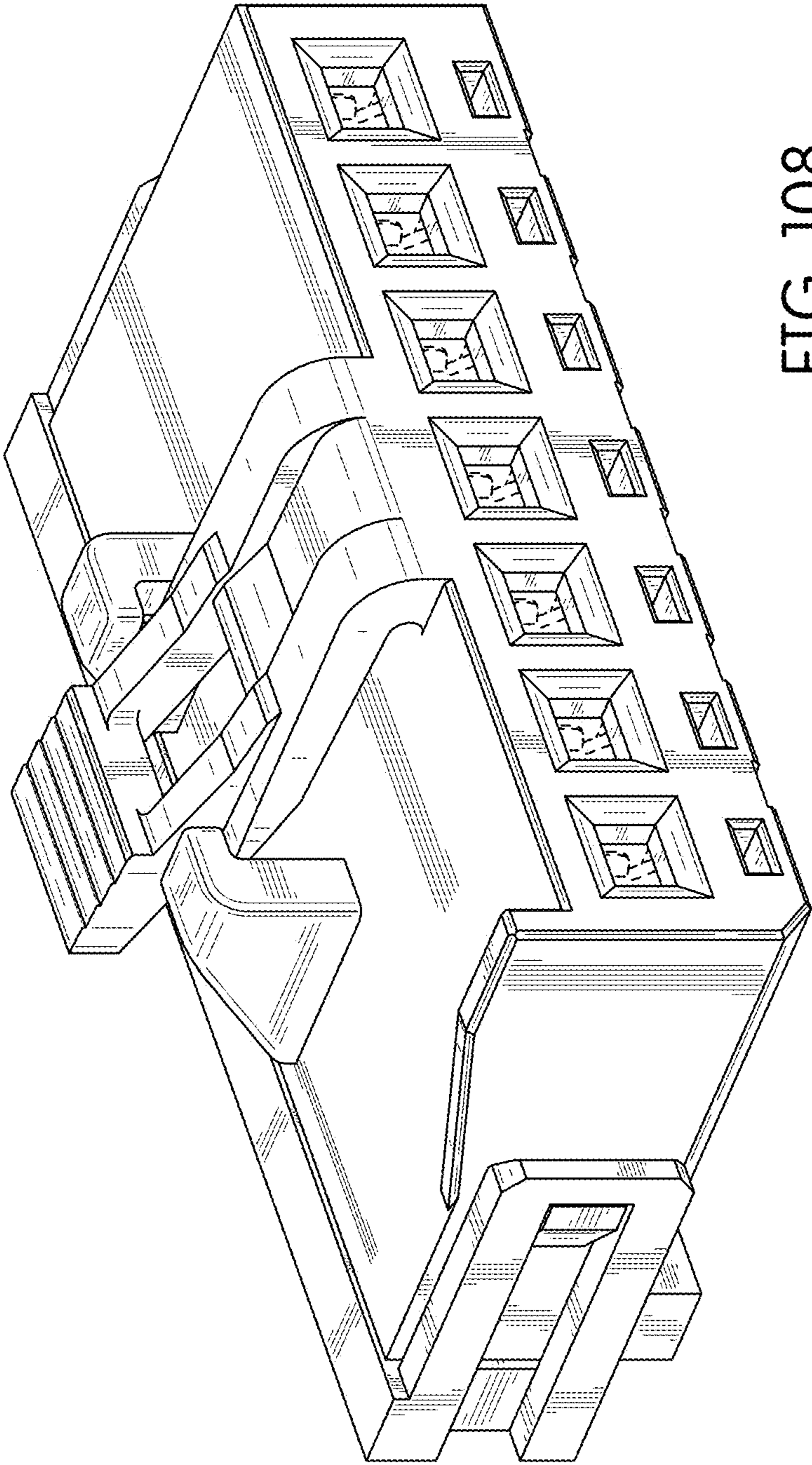


FIG. 108

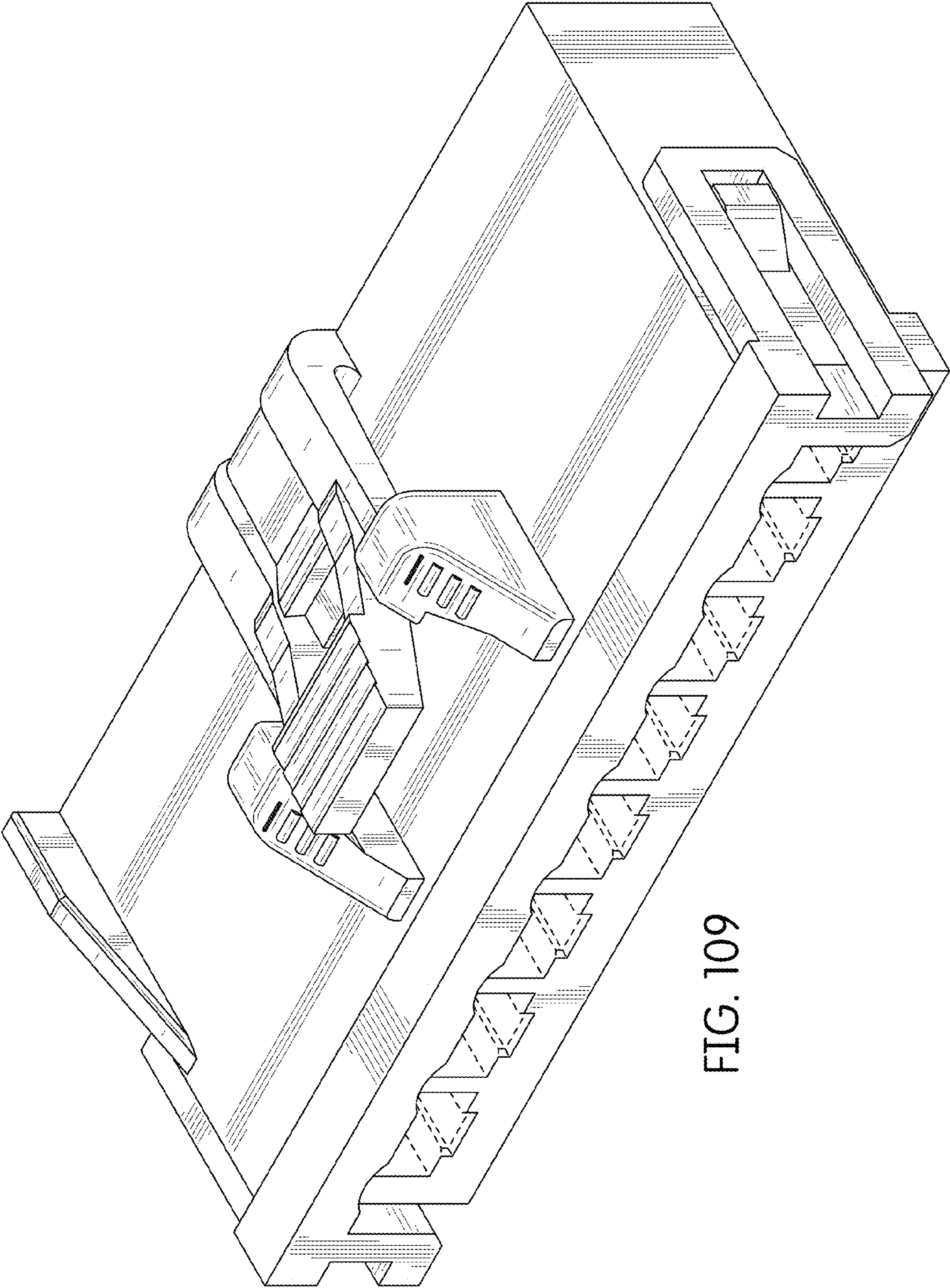


FIG. 109

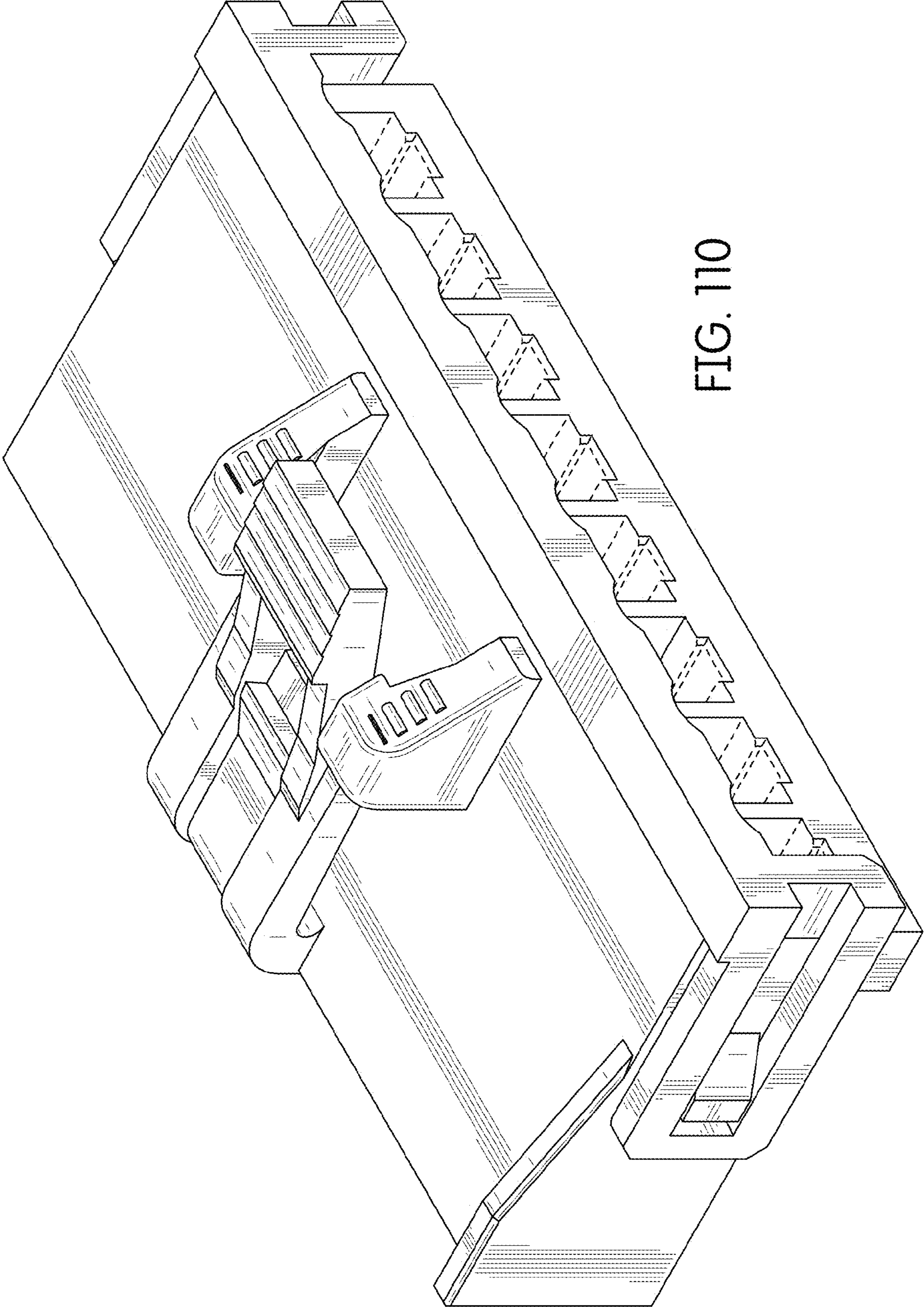


FIG. 110

FIG. 111

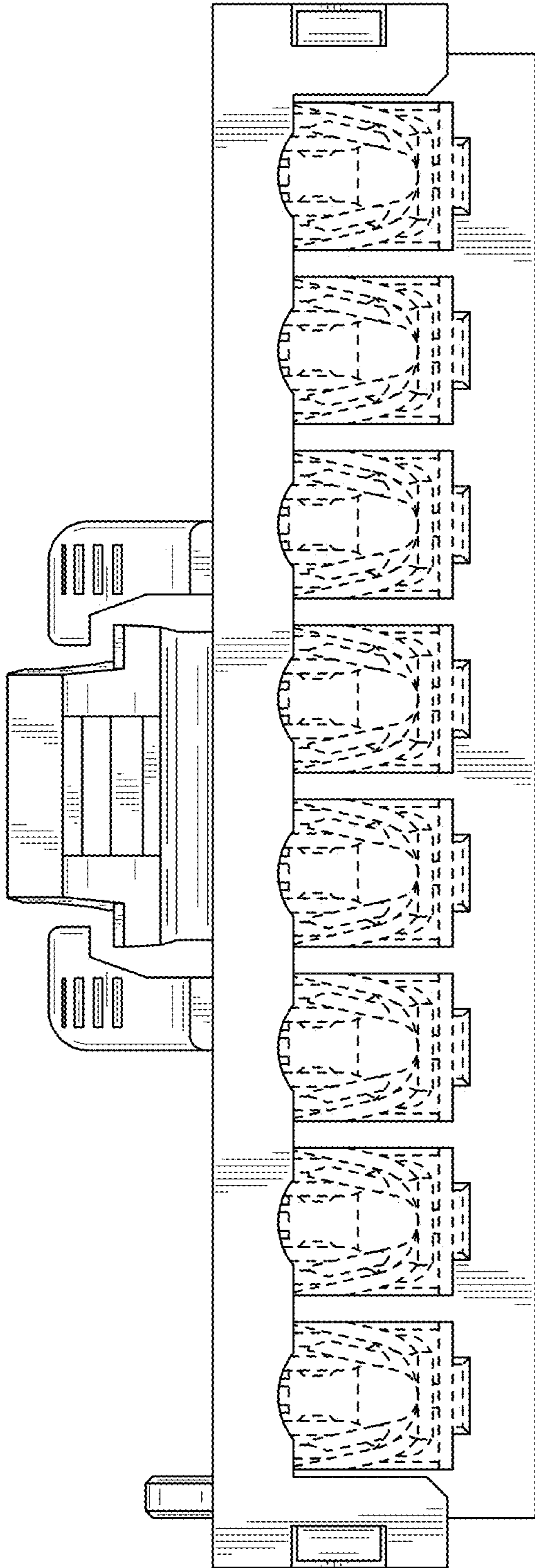
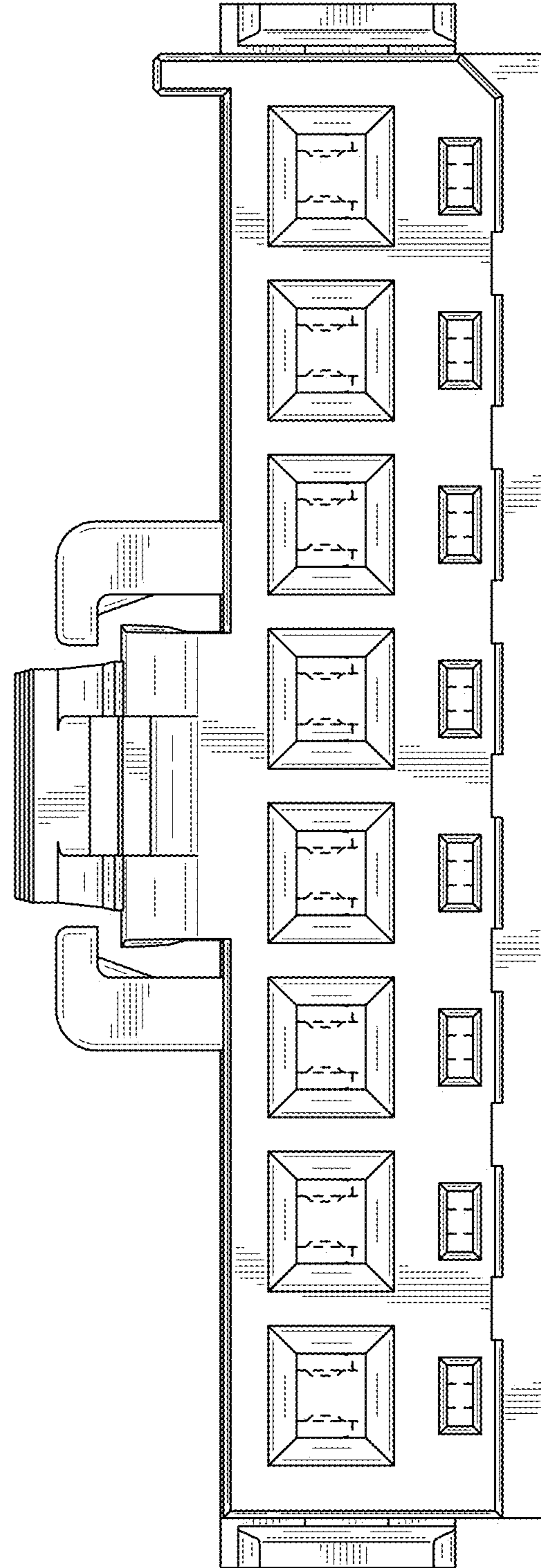


FIG. 112



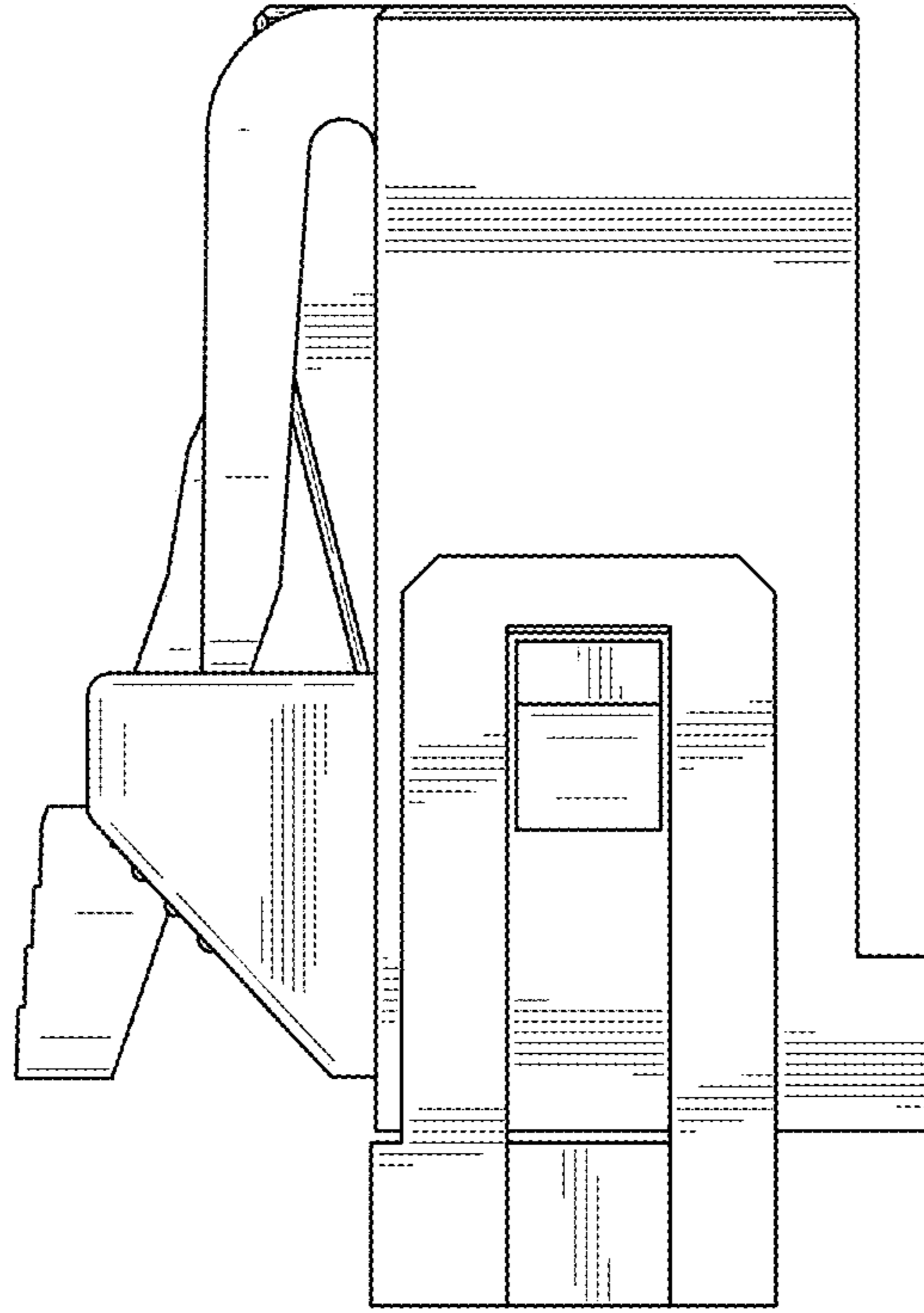


FIG. 114

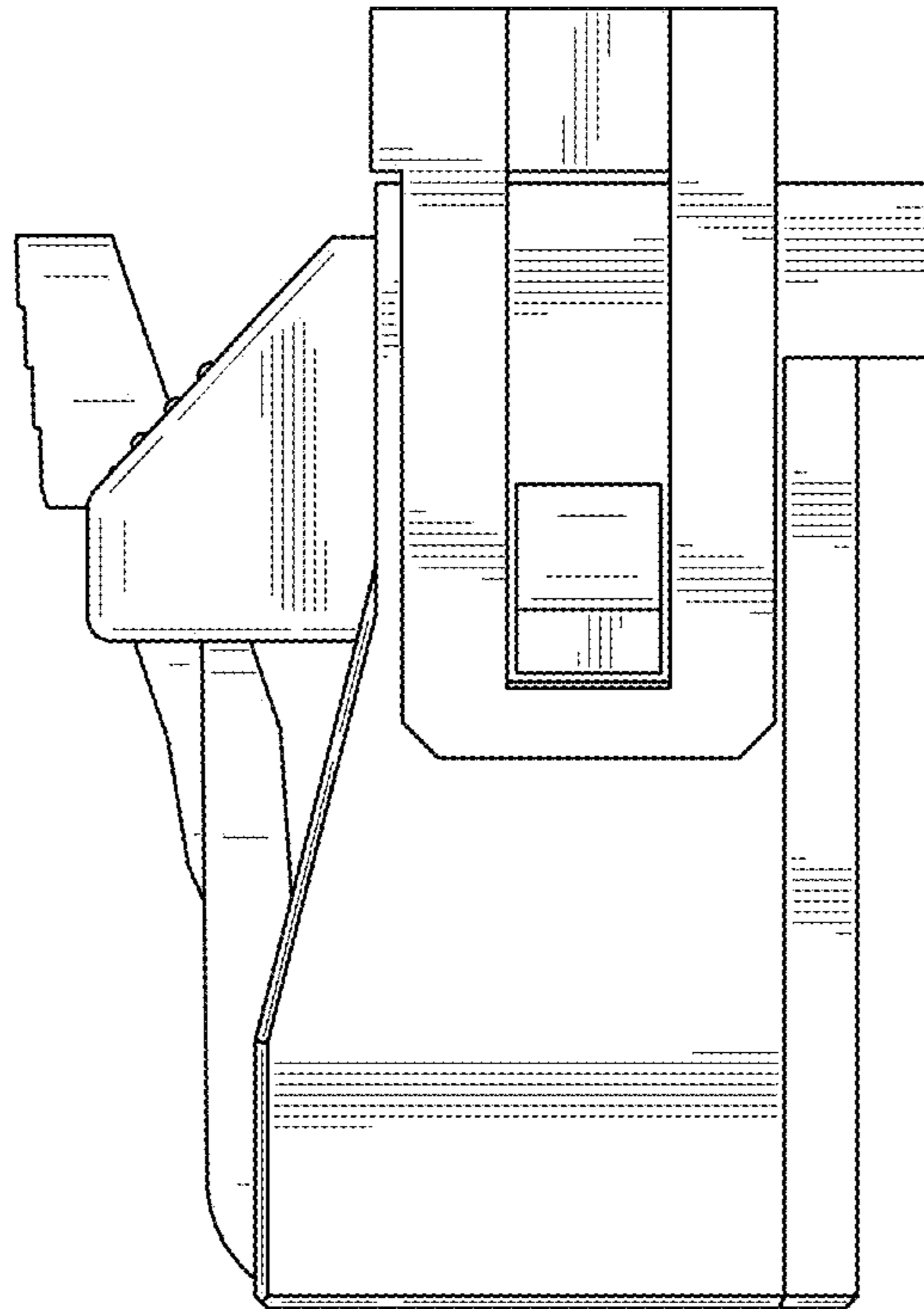


FIG. 113

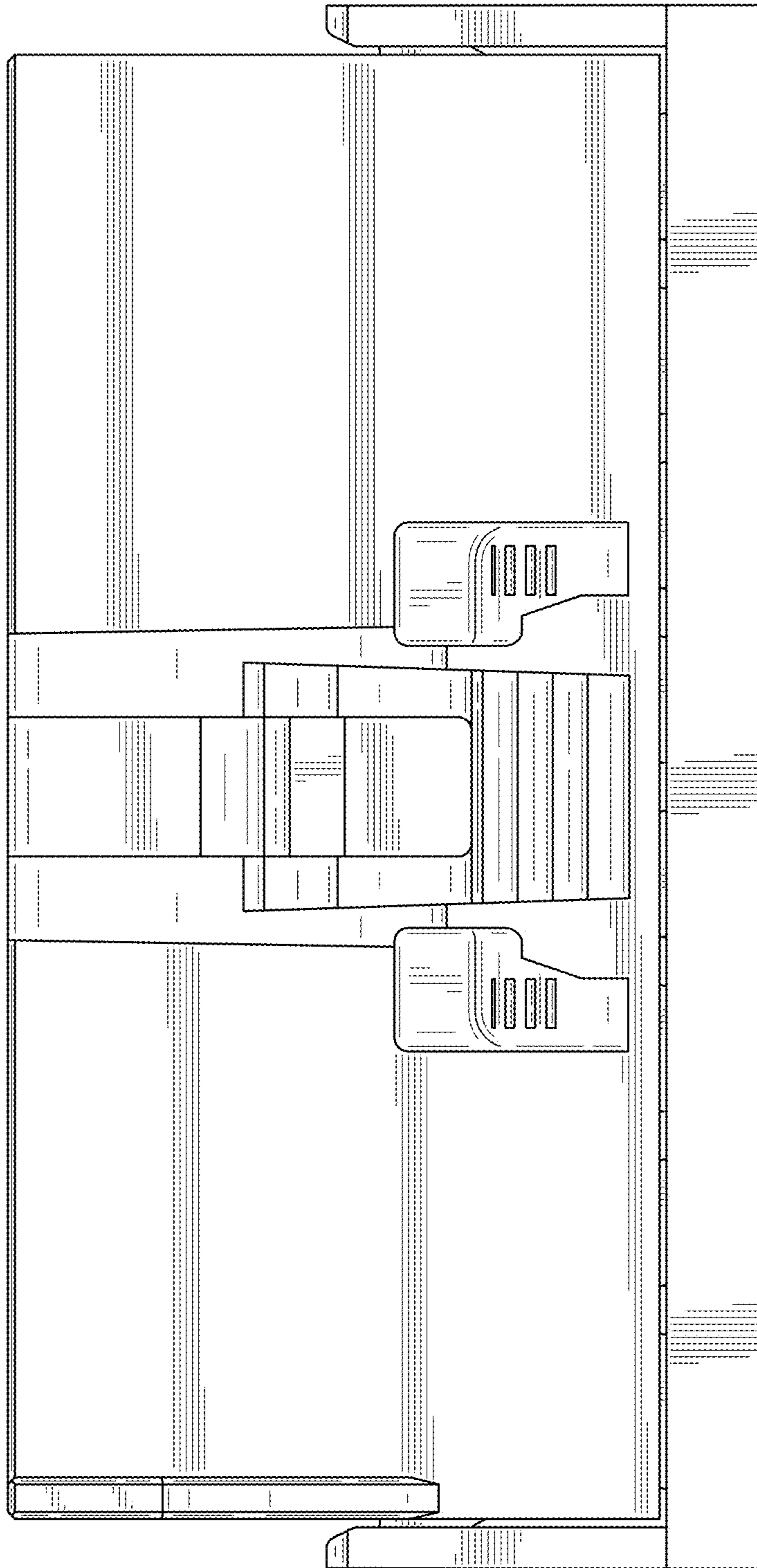


FIG. 115

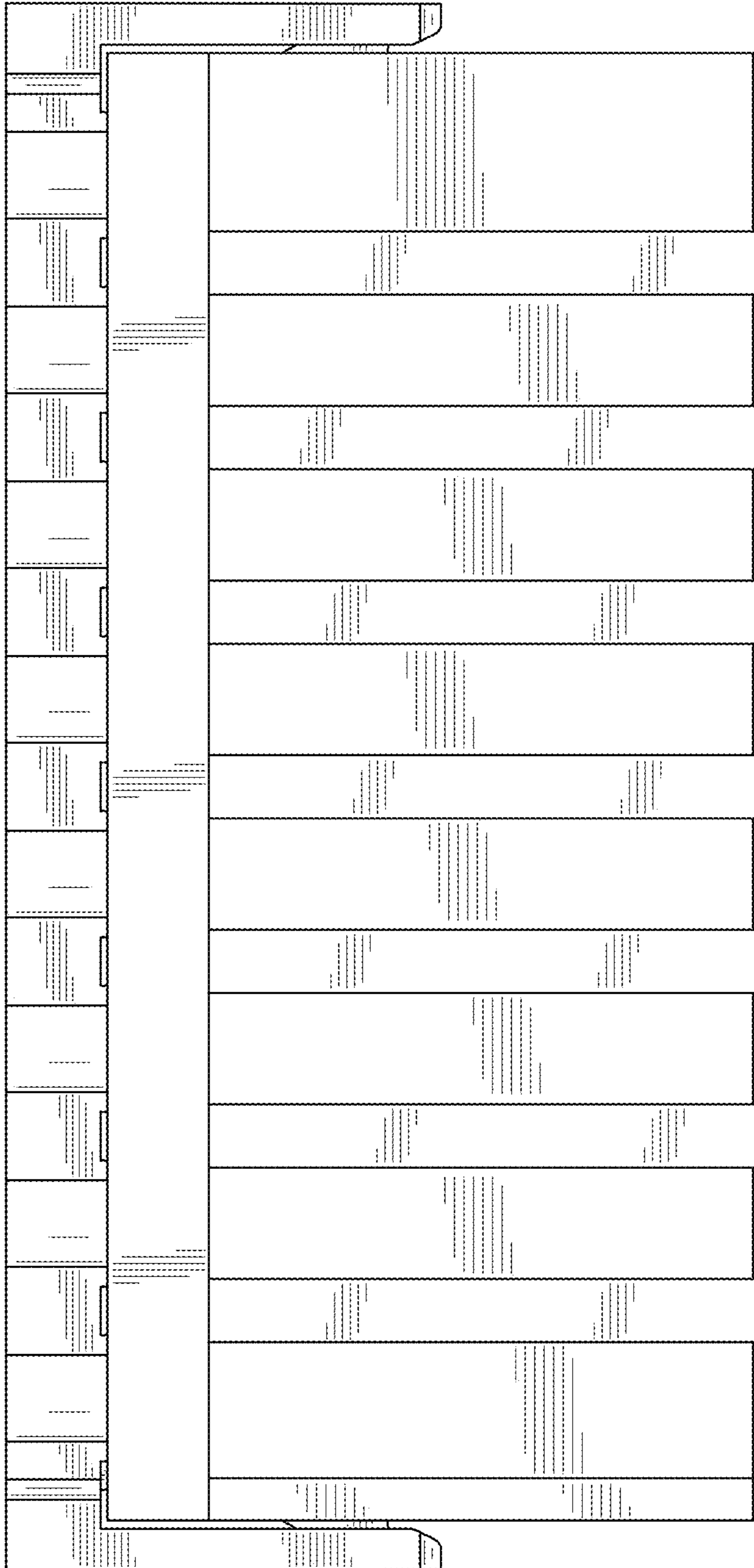


FIG. 116

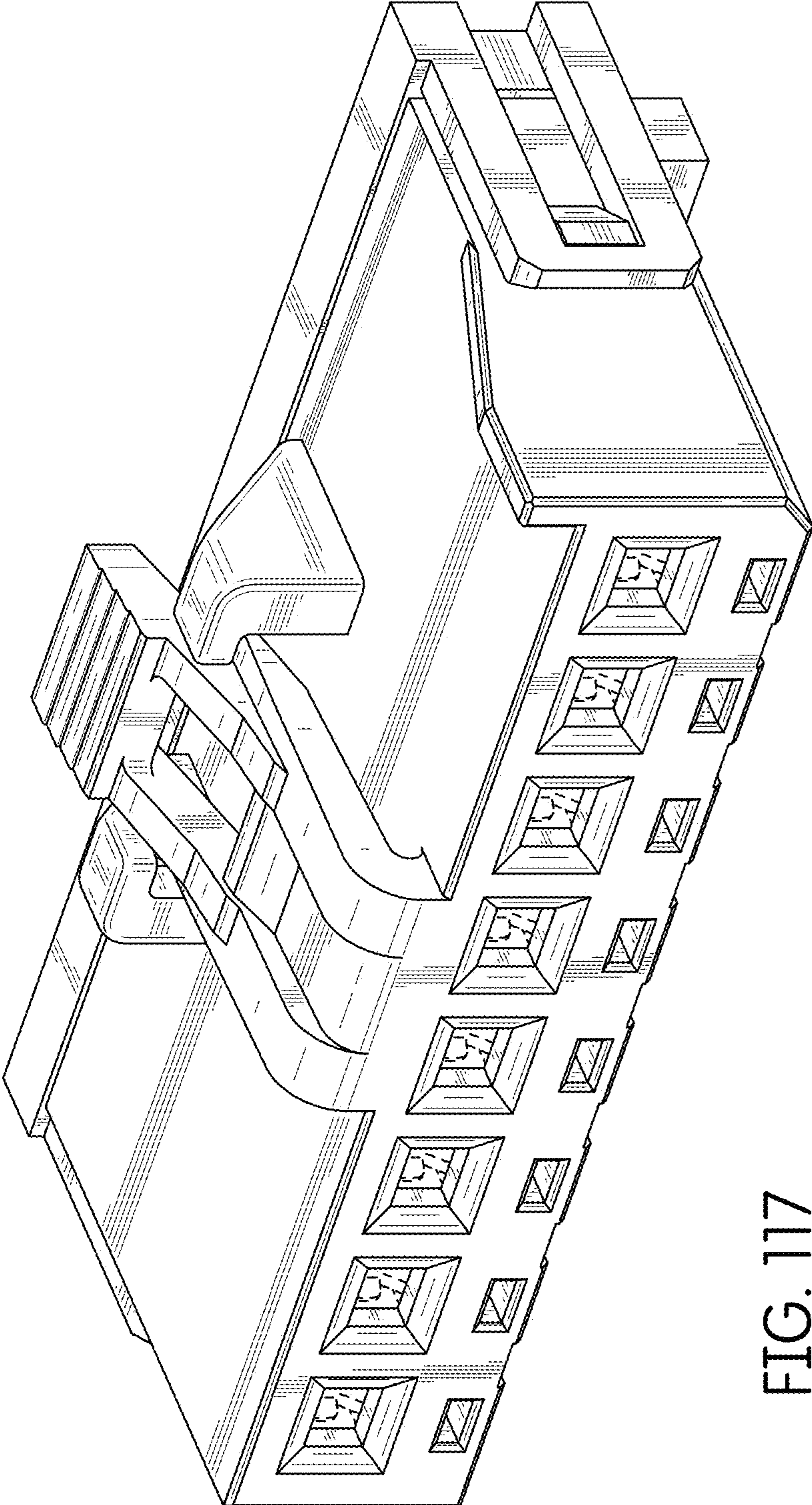


FIG. 117

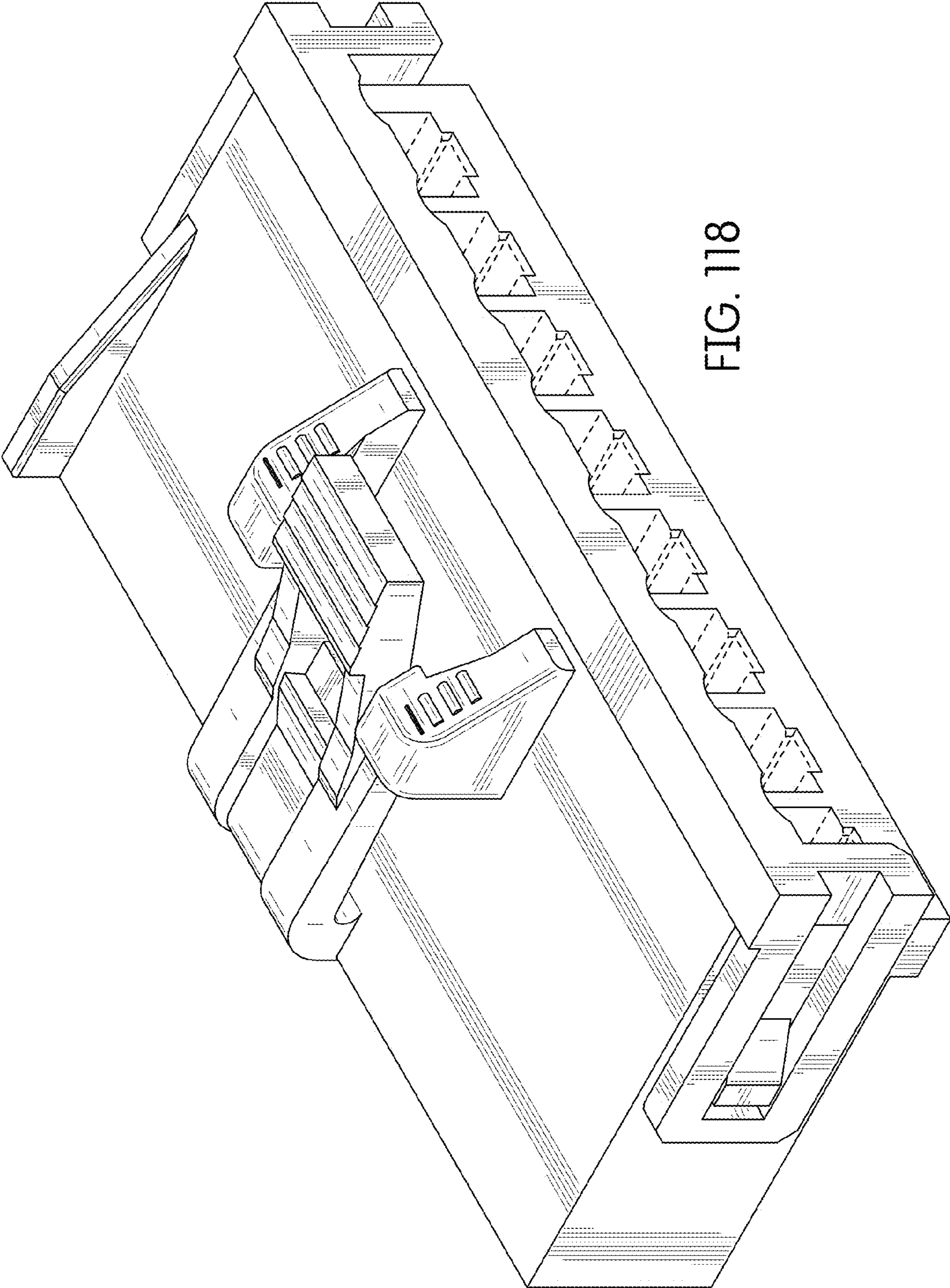


FIG. 118

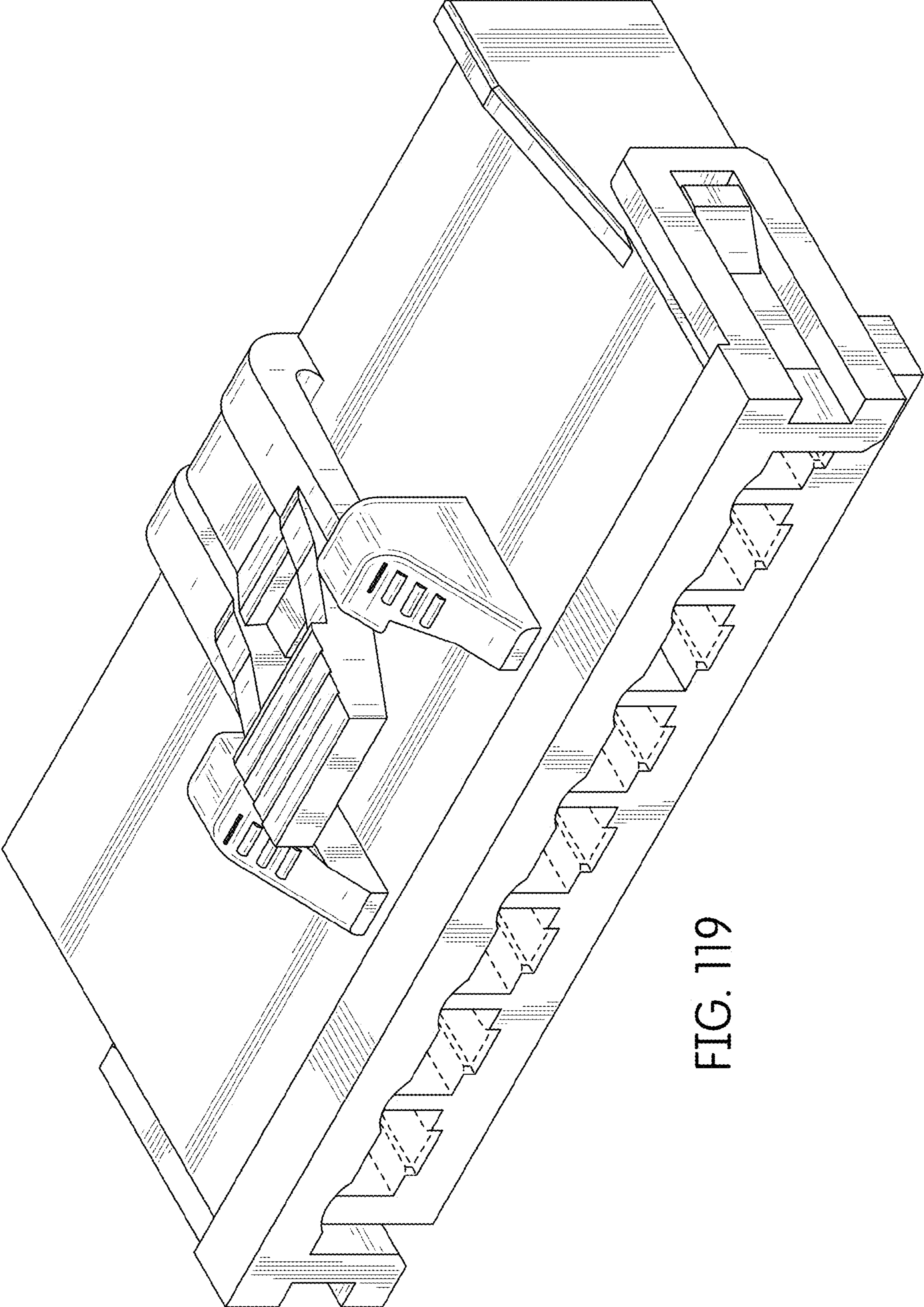


FIG. 119

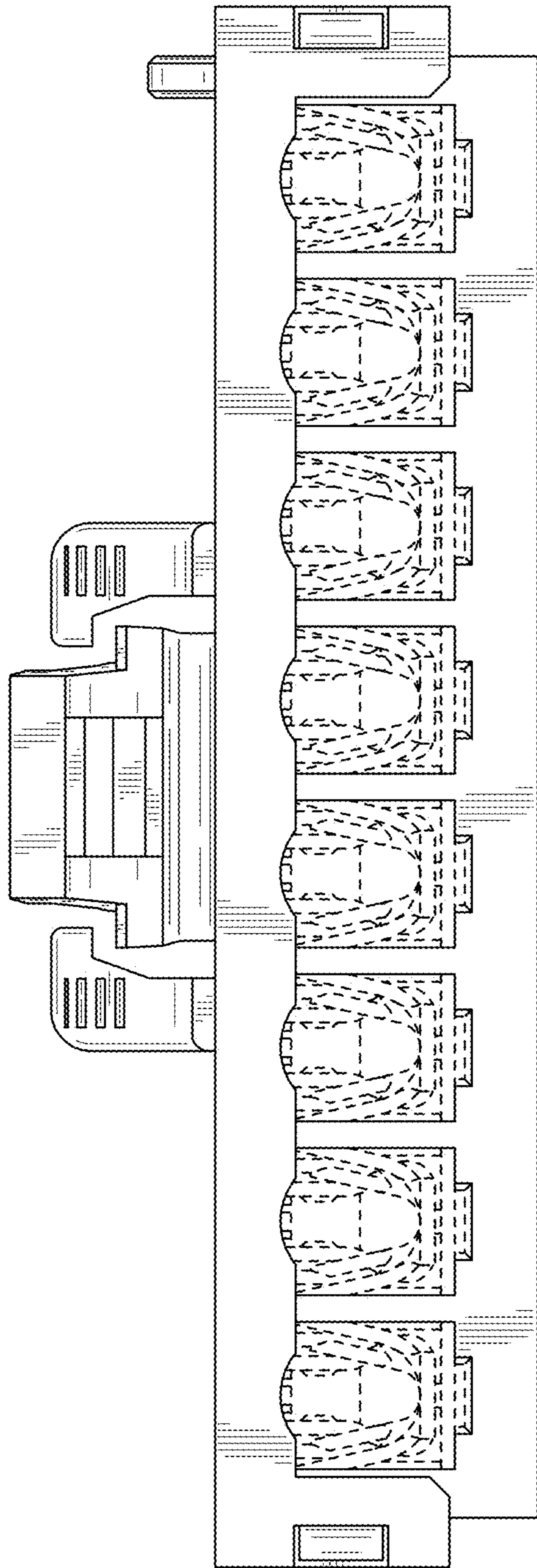


FIG. 120

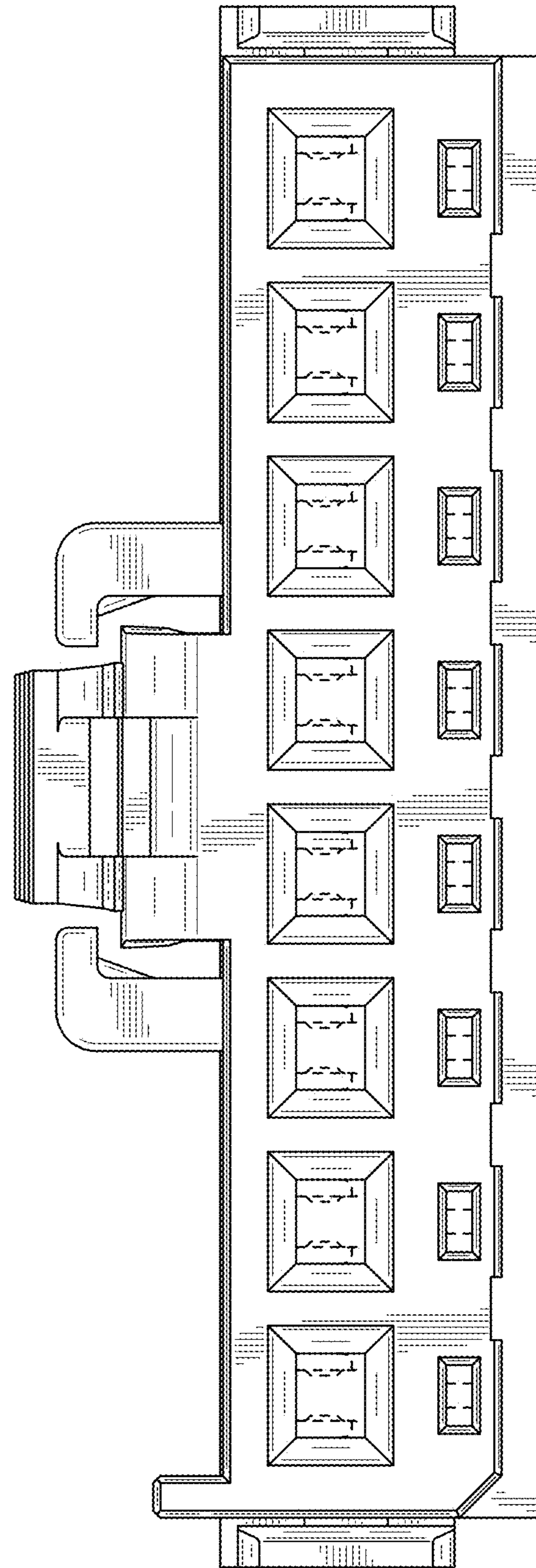


FIG. 121

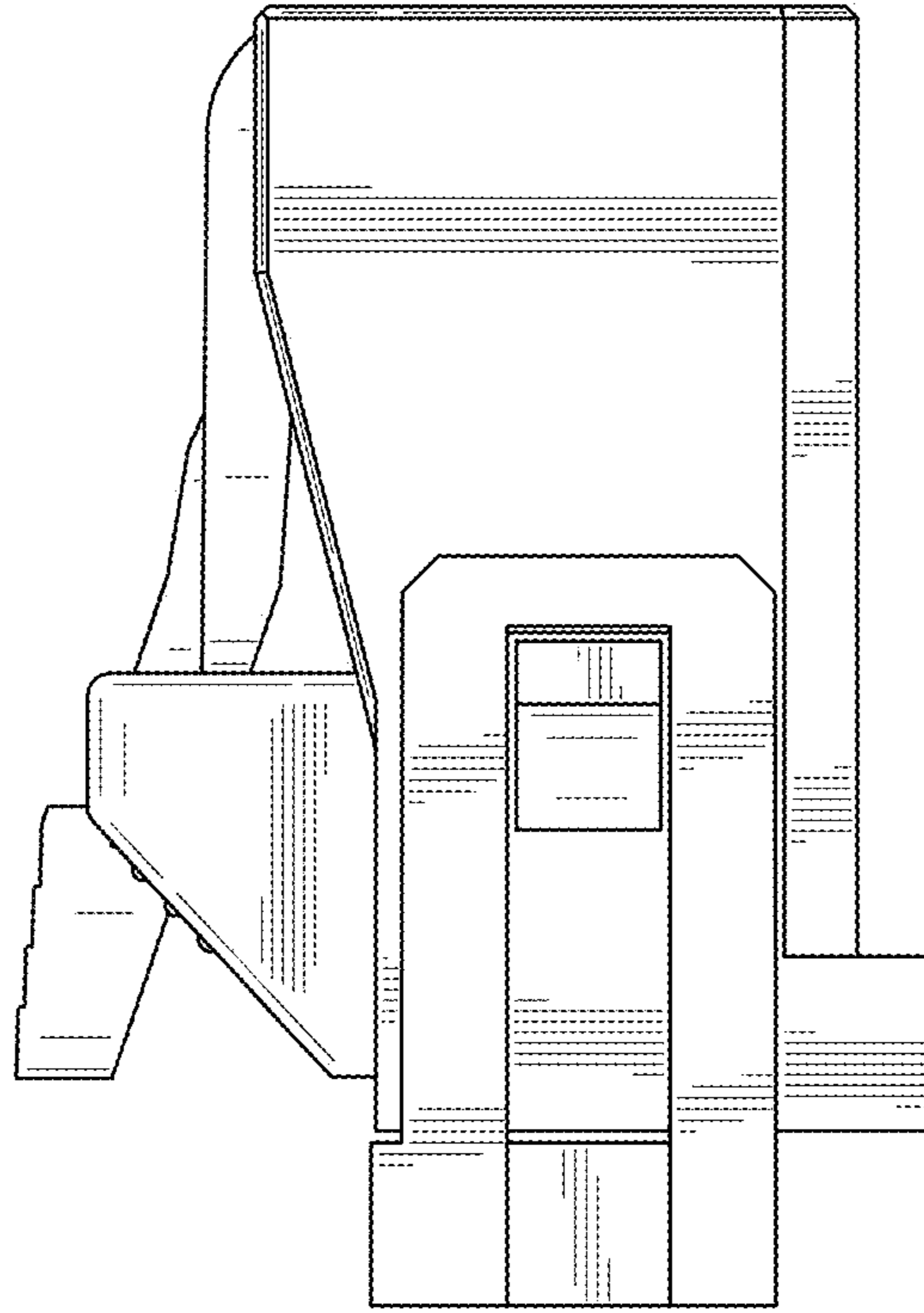


FIG. 122

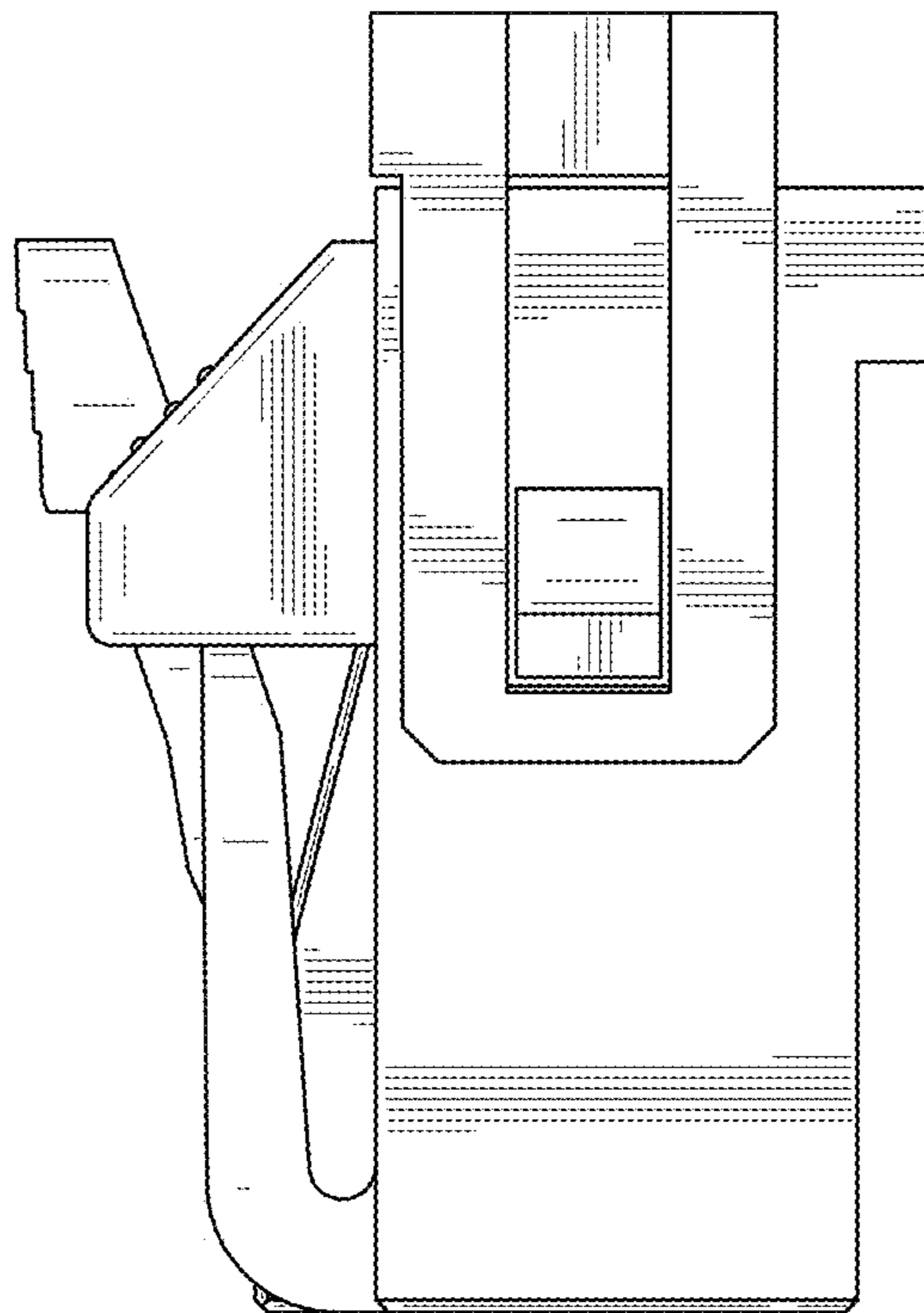


FIG. 123

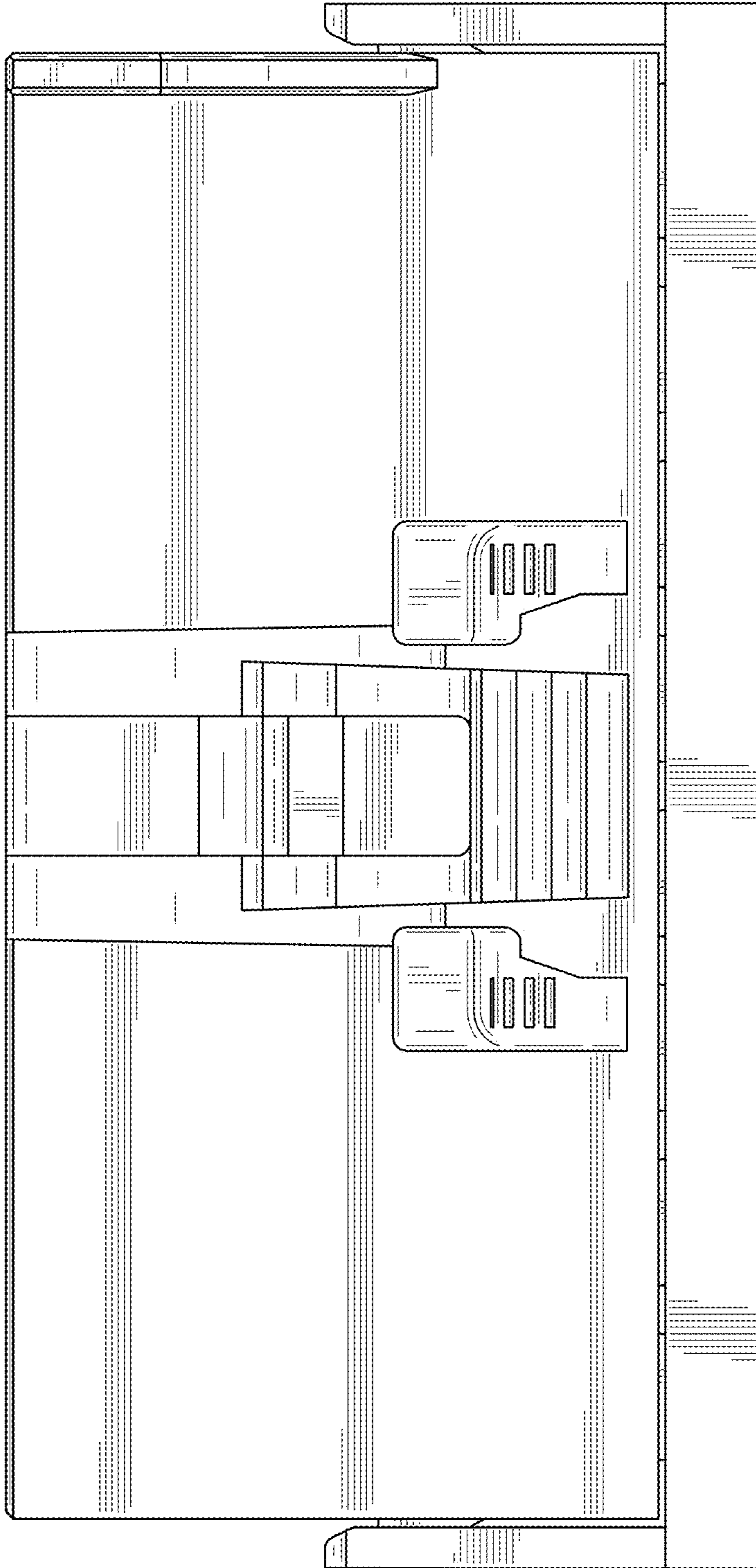


FIG. 124

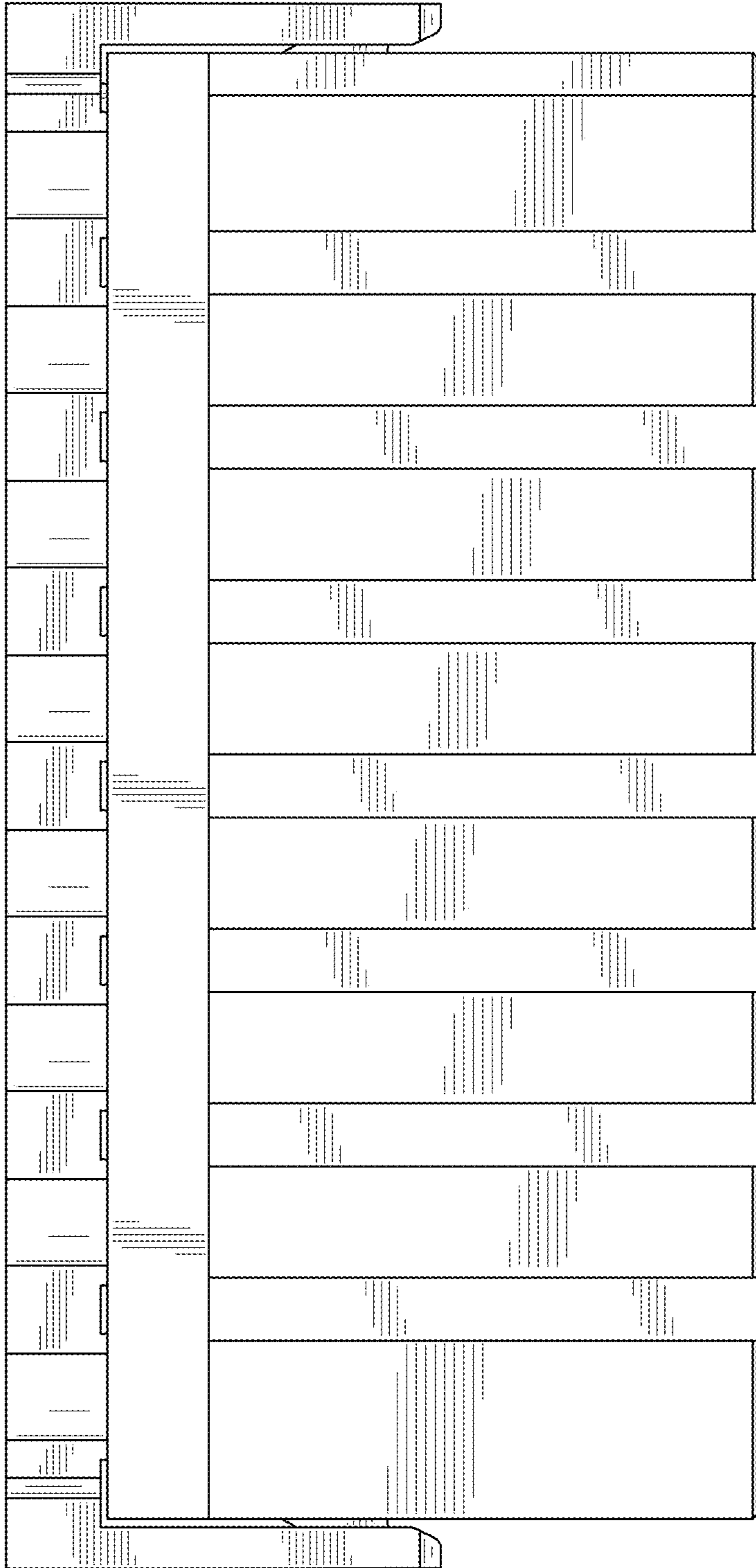


FIG. 125

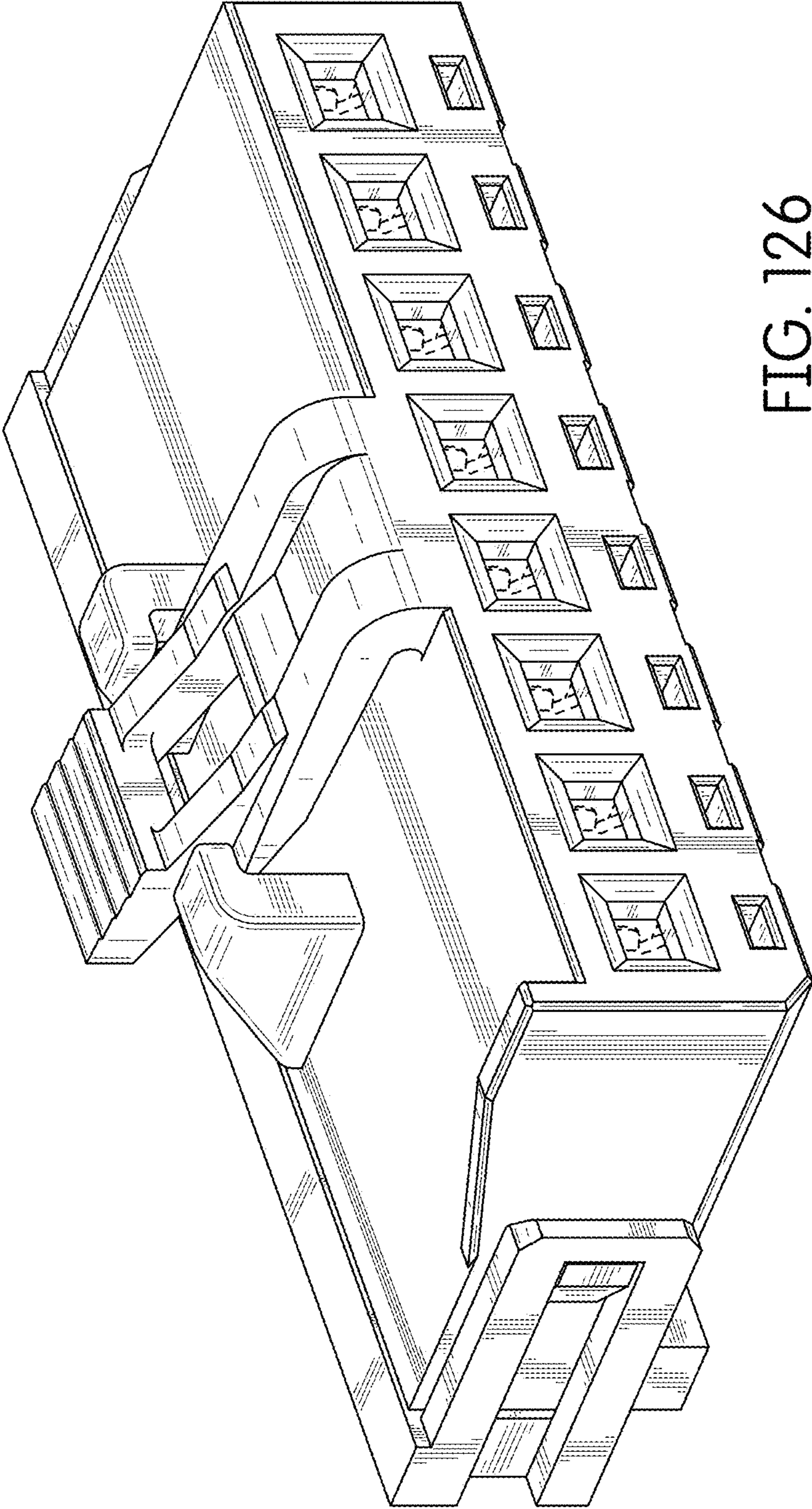


FIG. 126

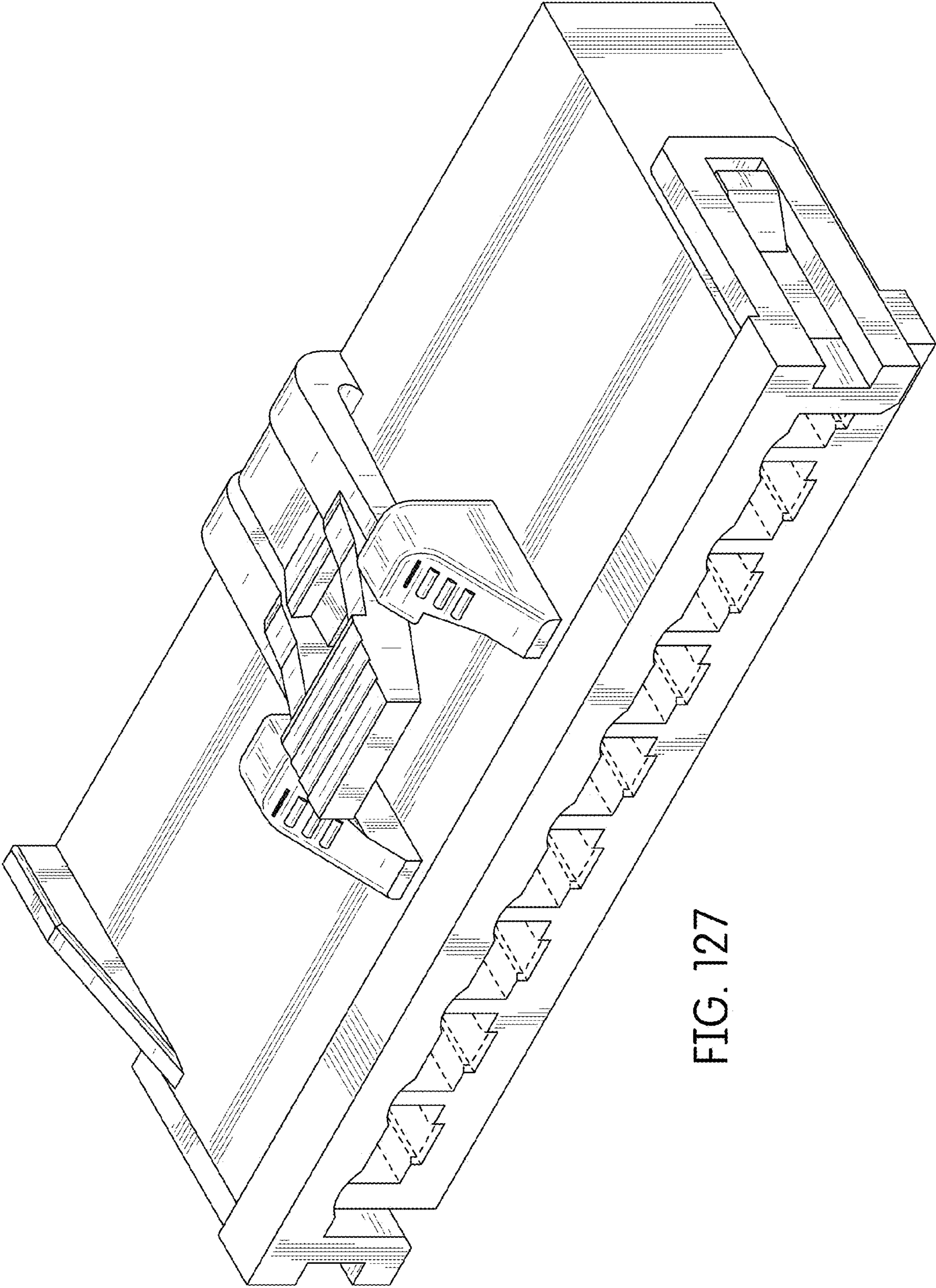


FIG. 127

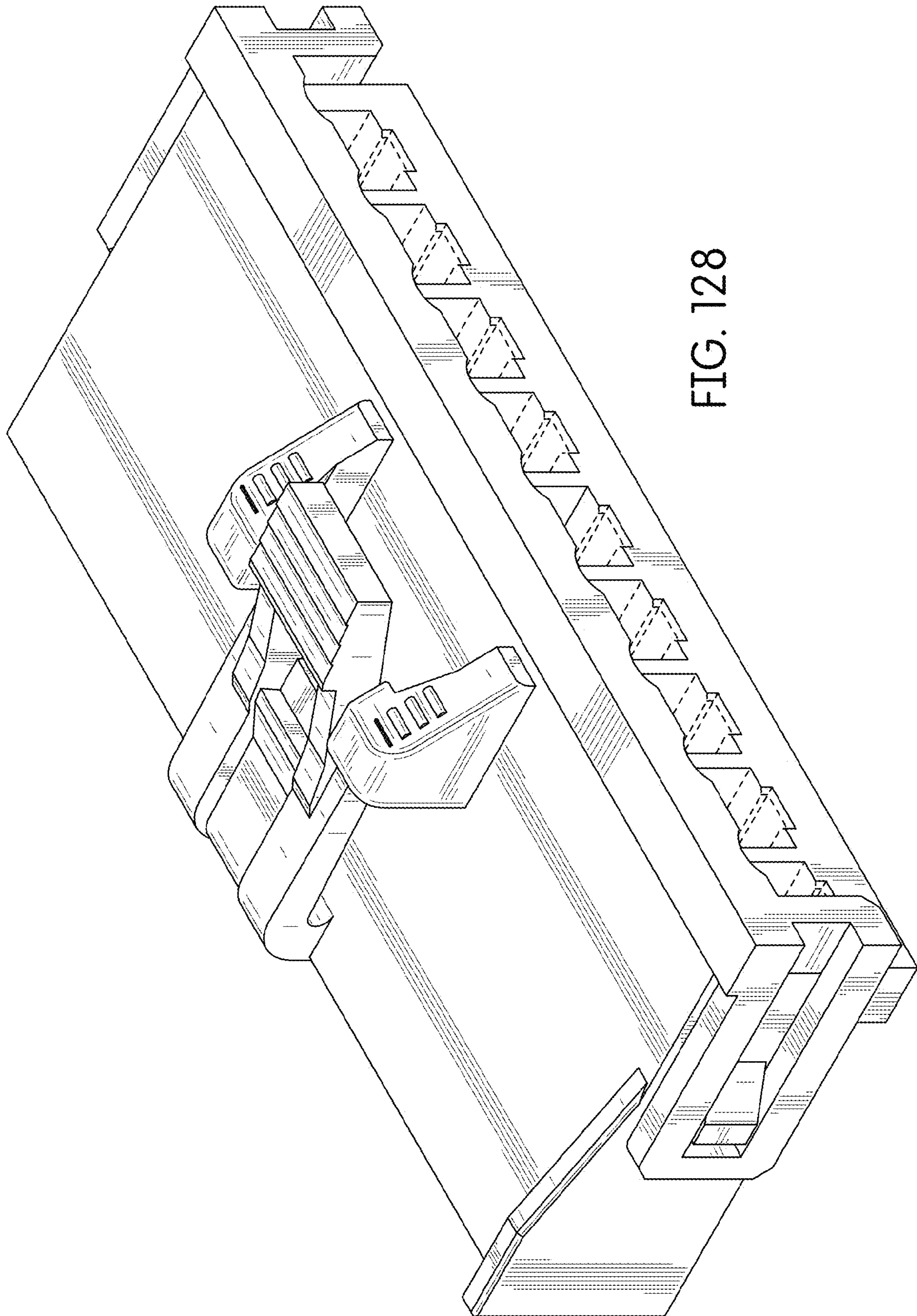


FIG. 128

FIG. 129

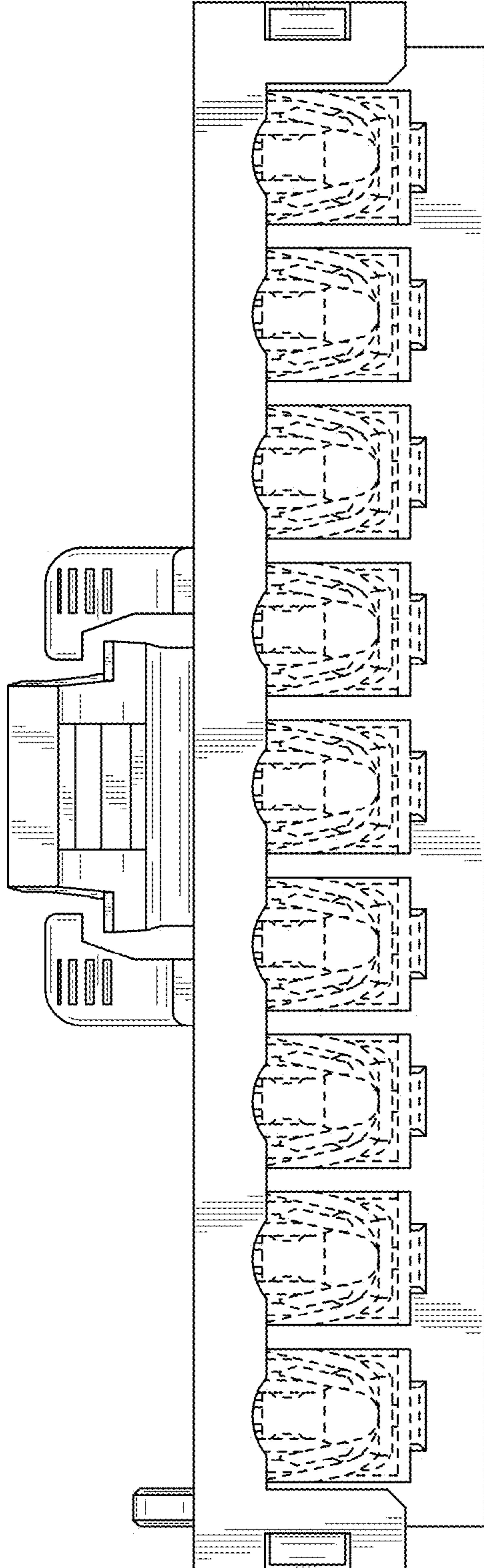
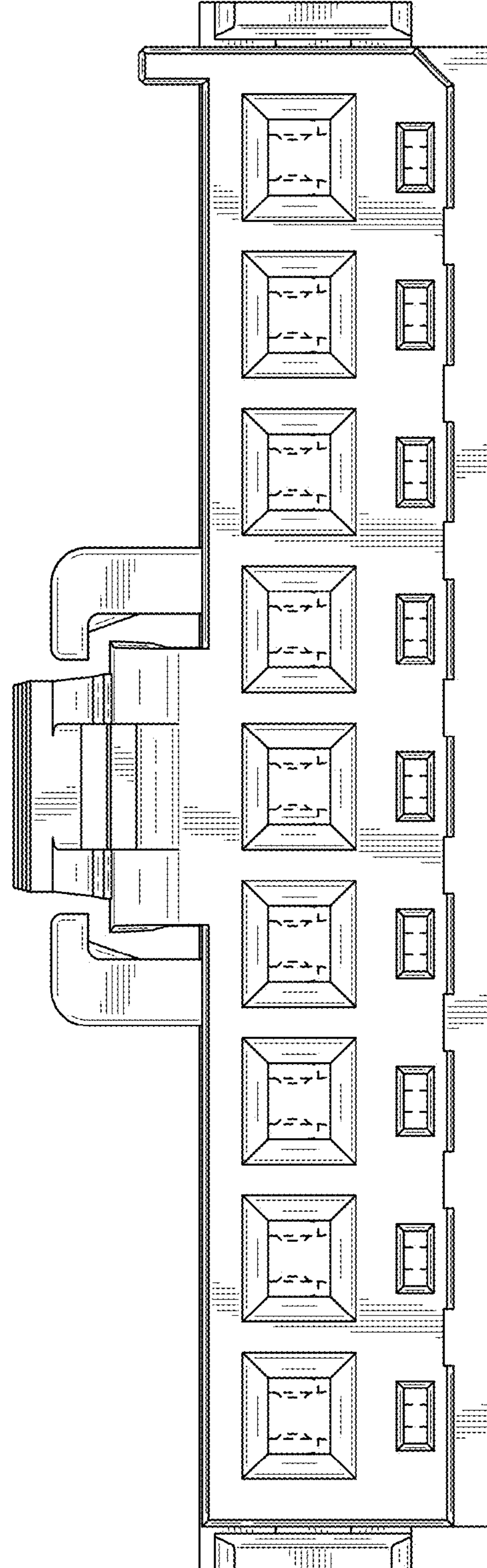


FIG. 130



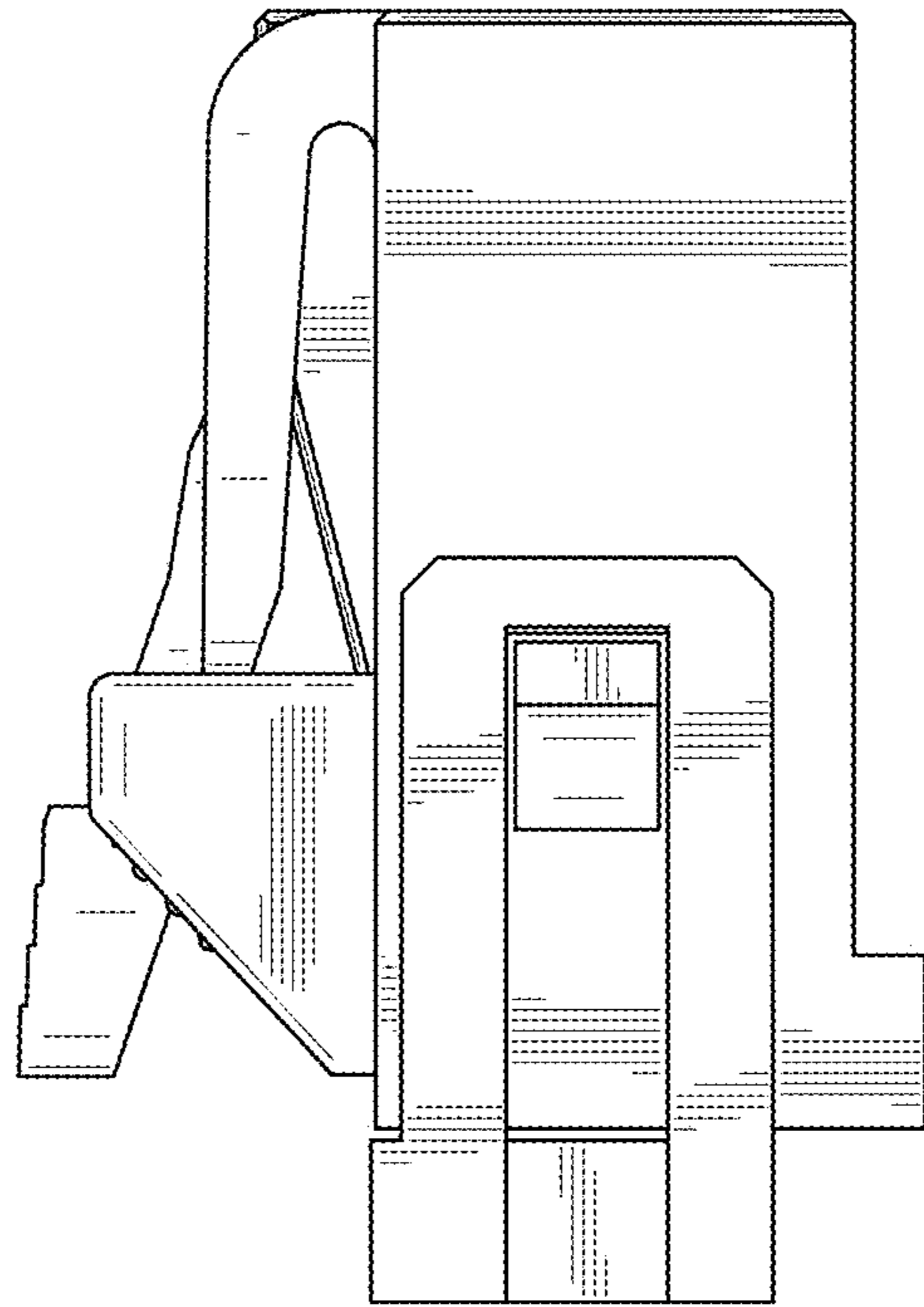


FIG. 132

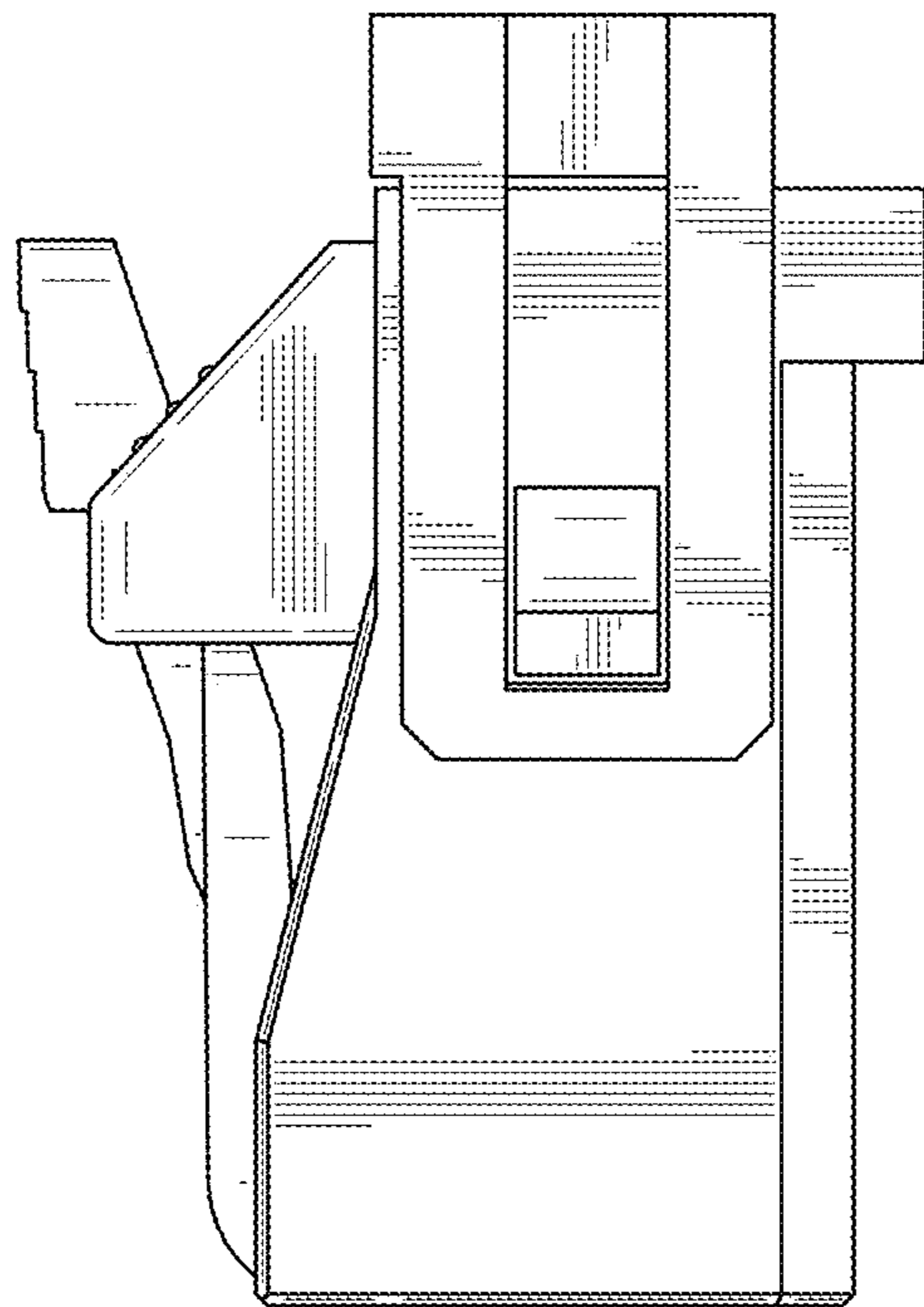


FIG. 131

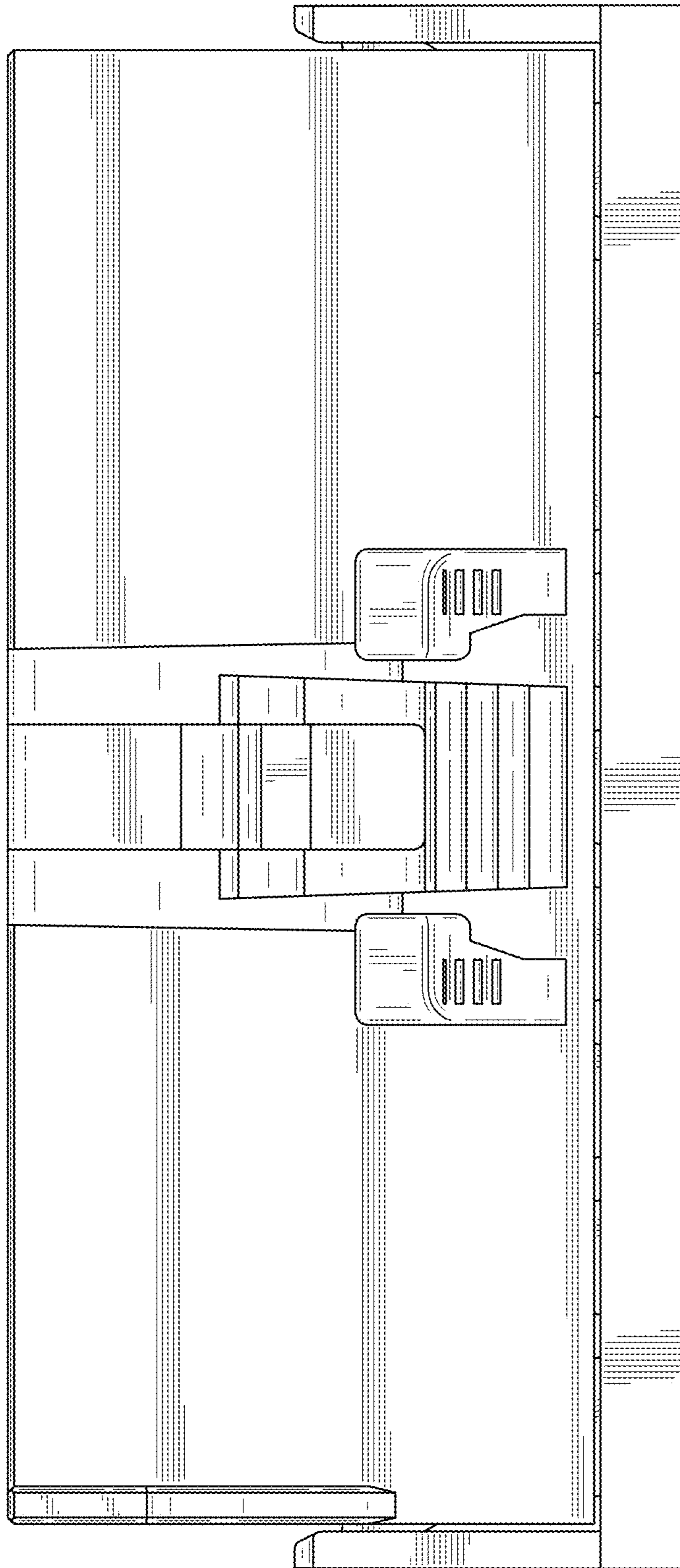


FIG. 133

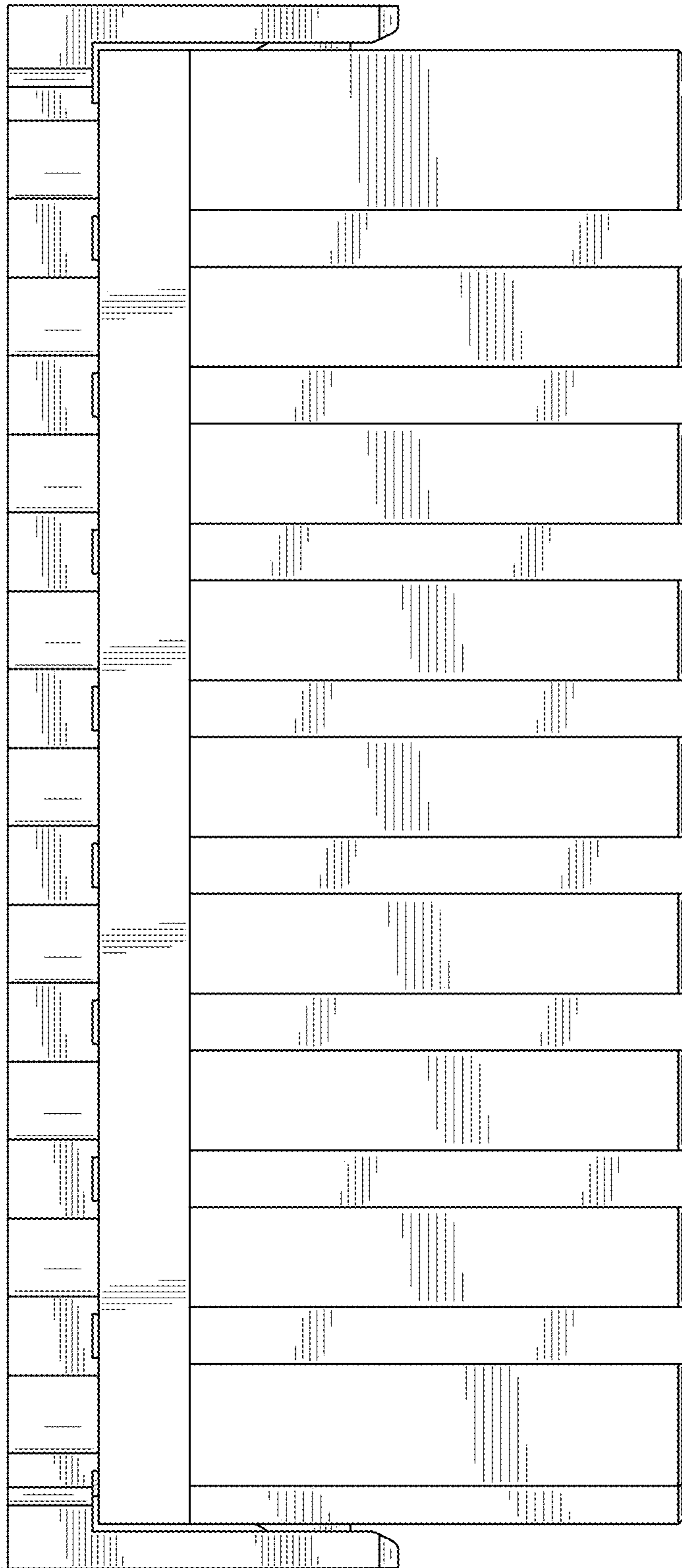


FIG. 134

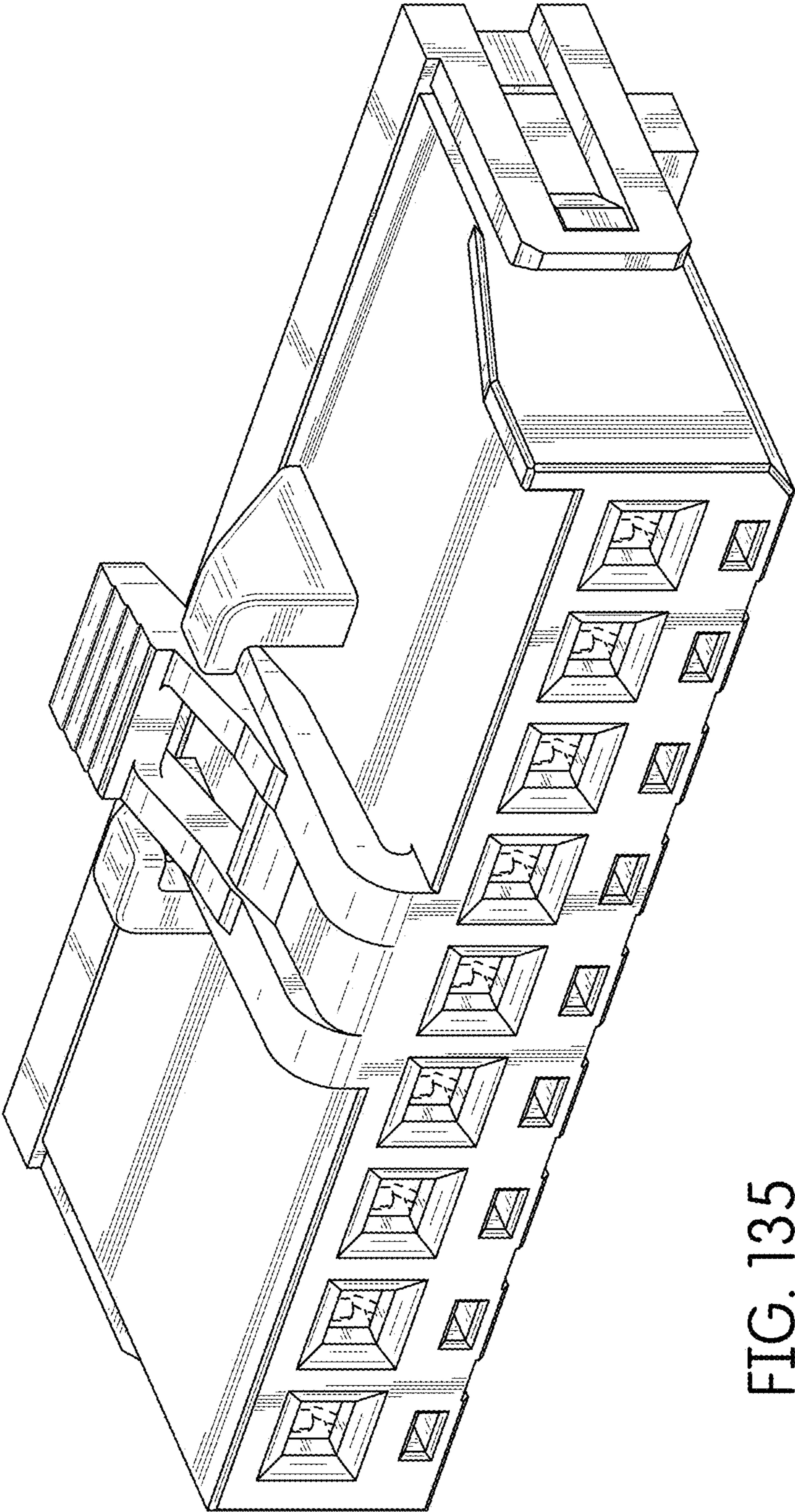


FIG. 135

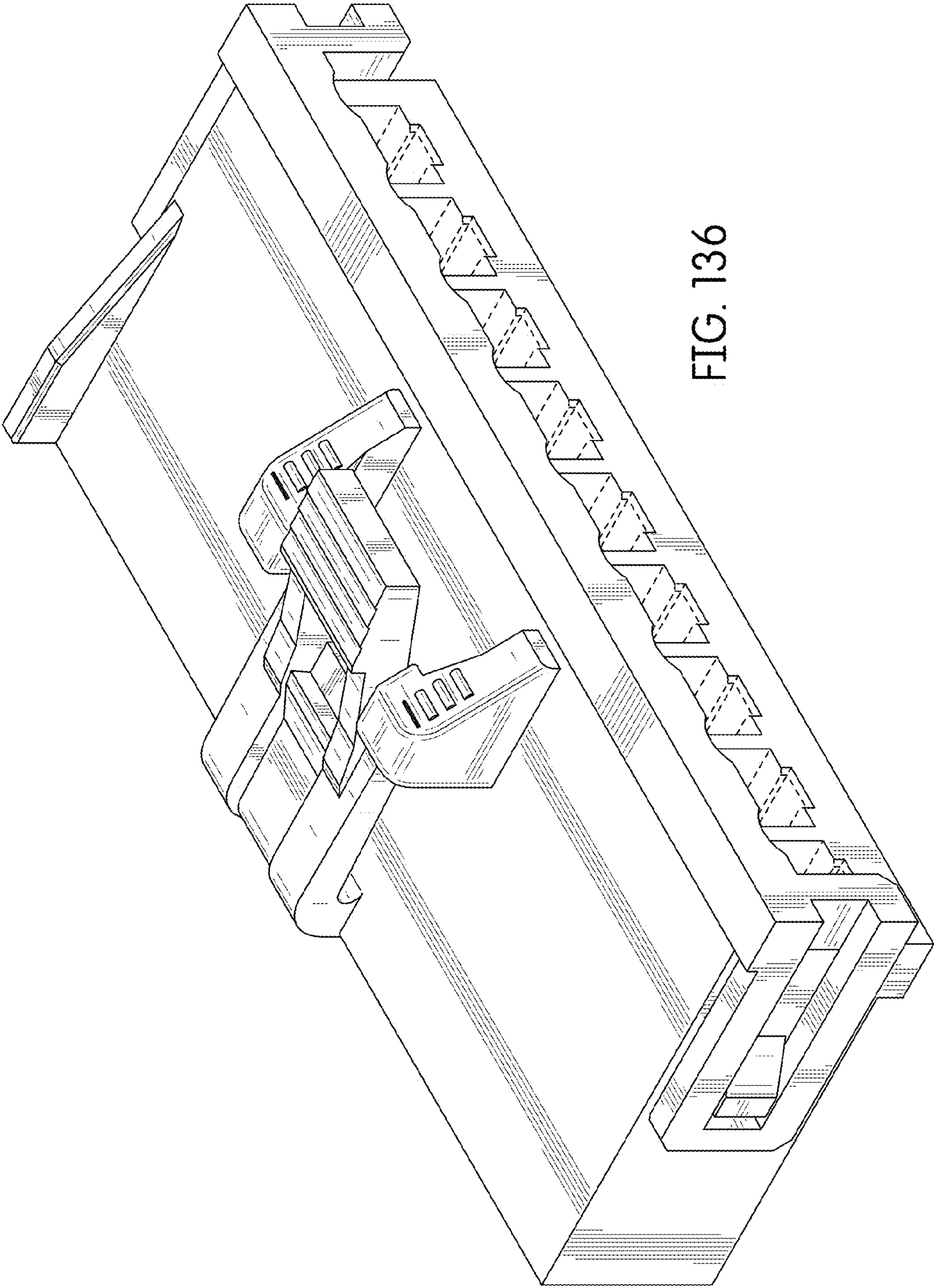


FIG. 136

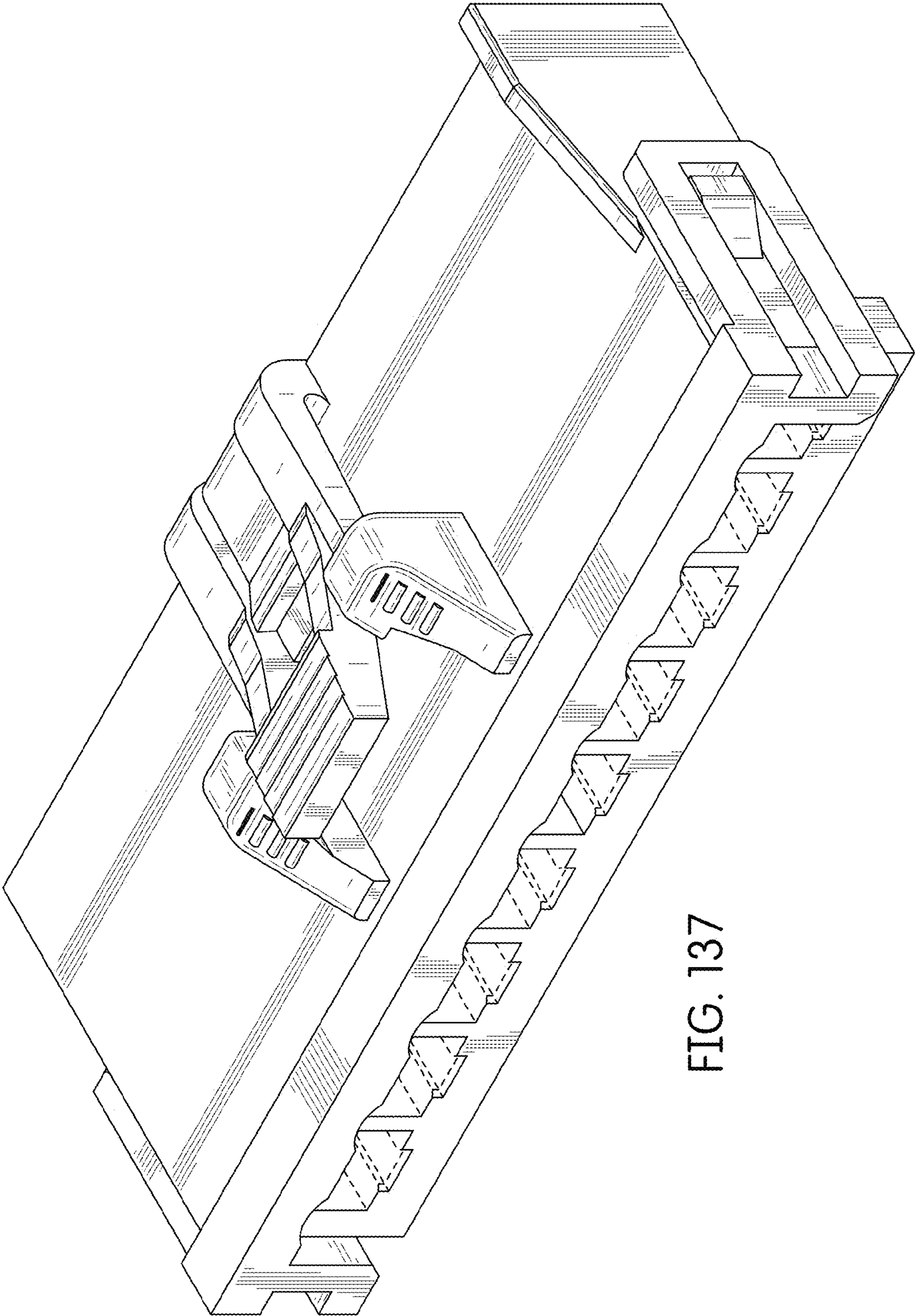


FIG. 137

FIG. 138

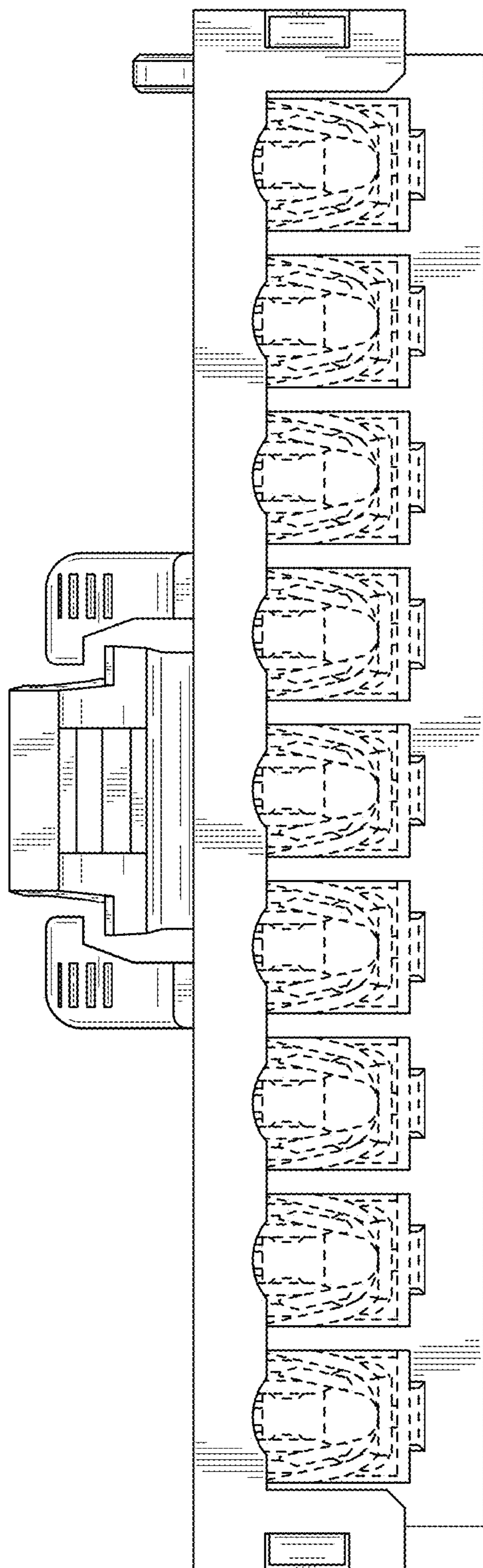
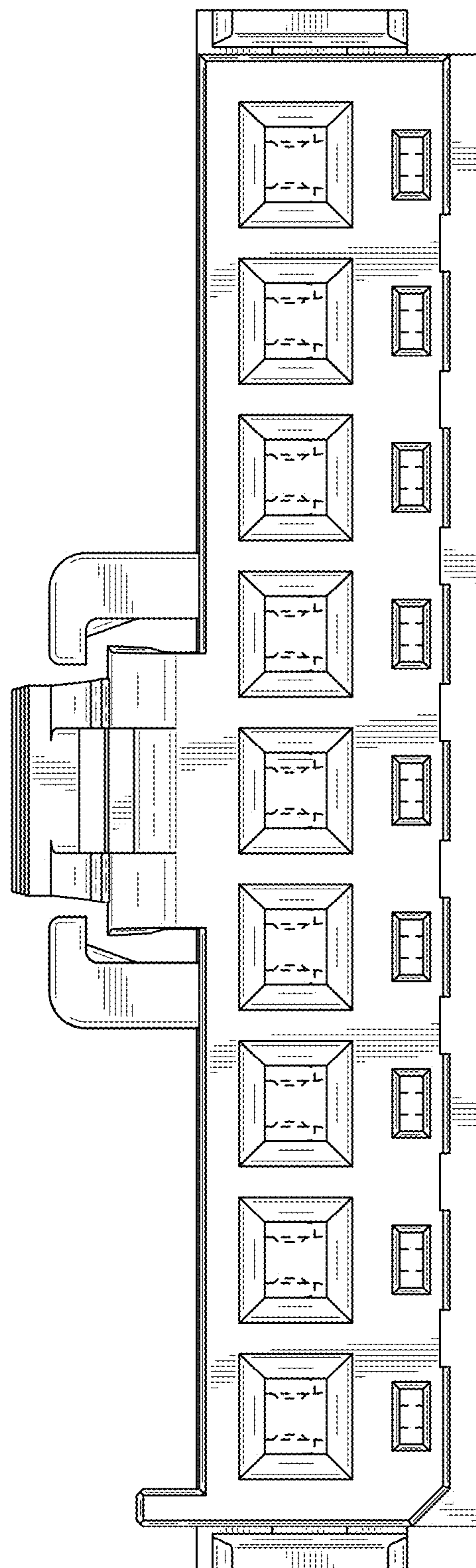


FIG. 139



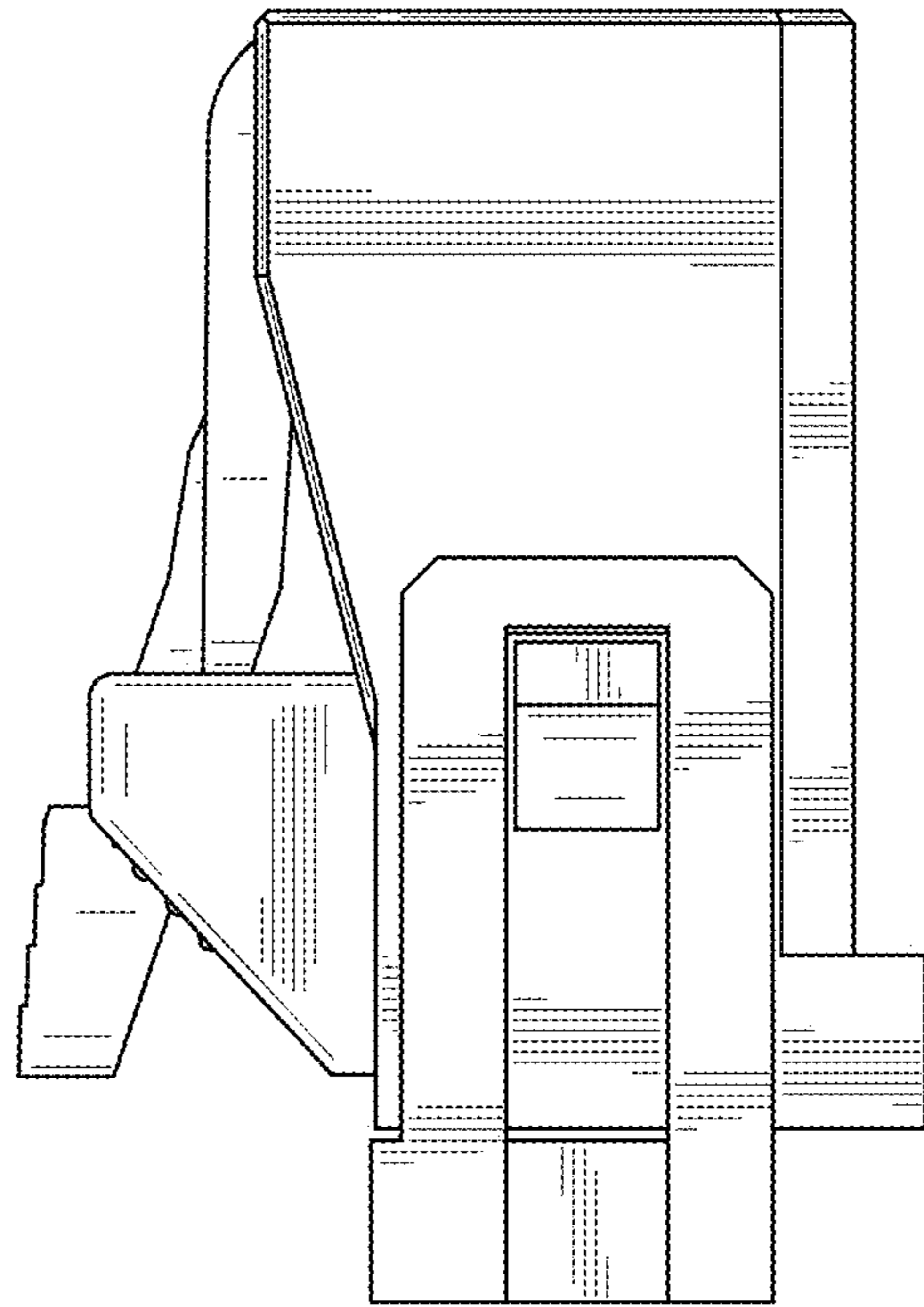


FIG. 141

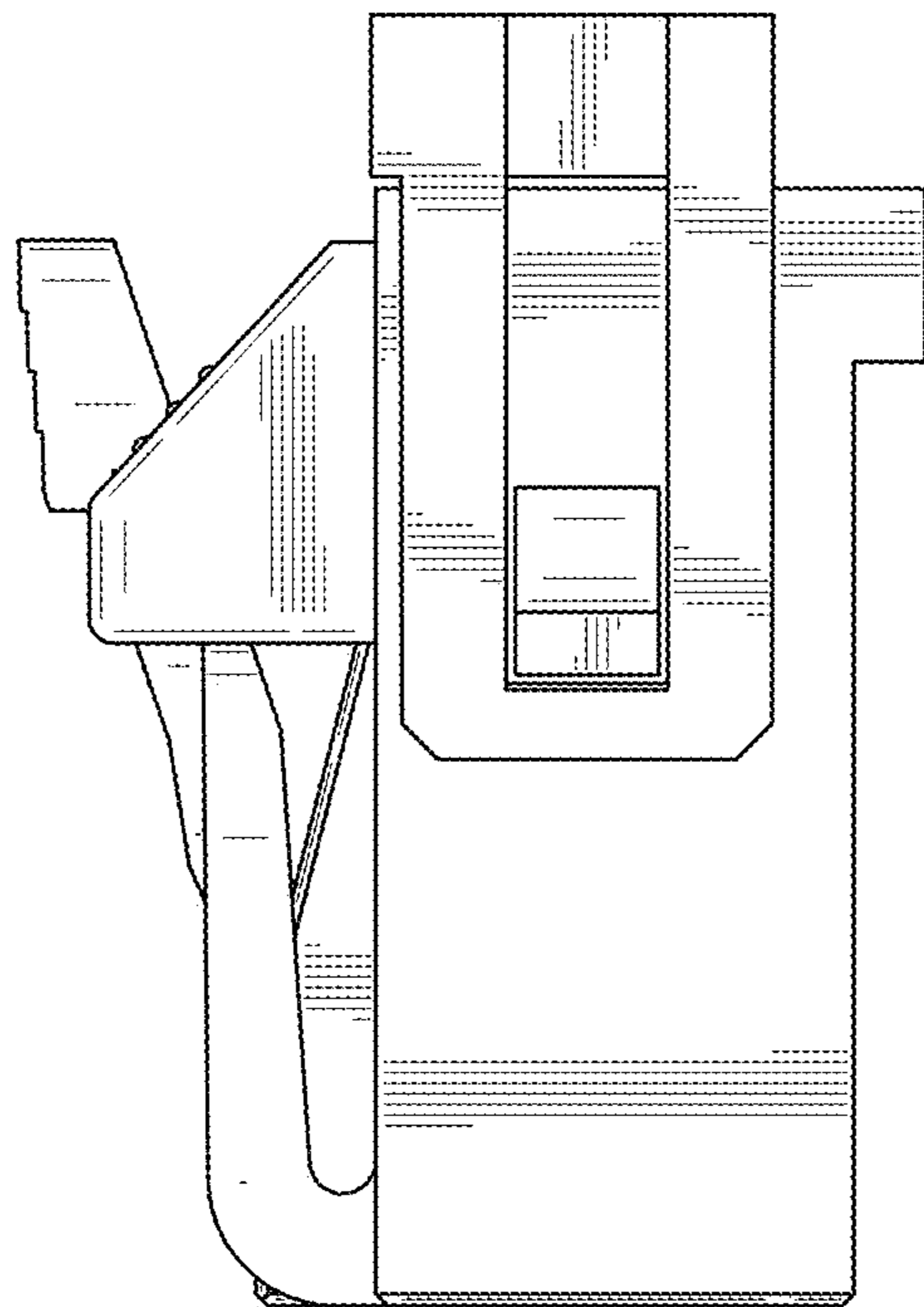


FIG. 140

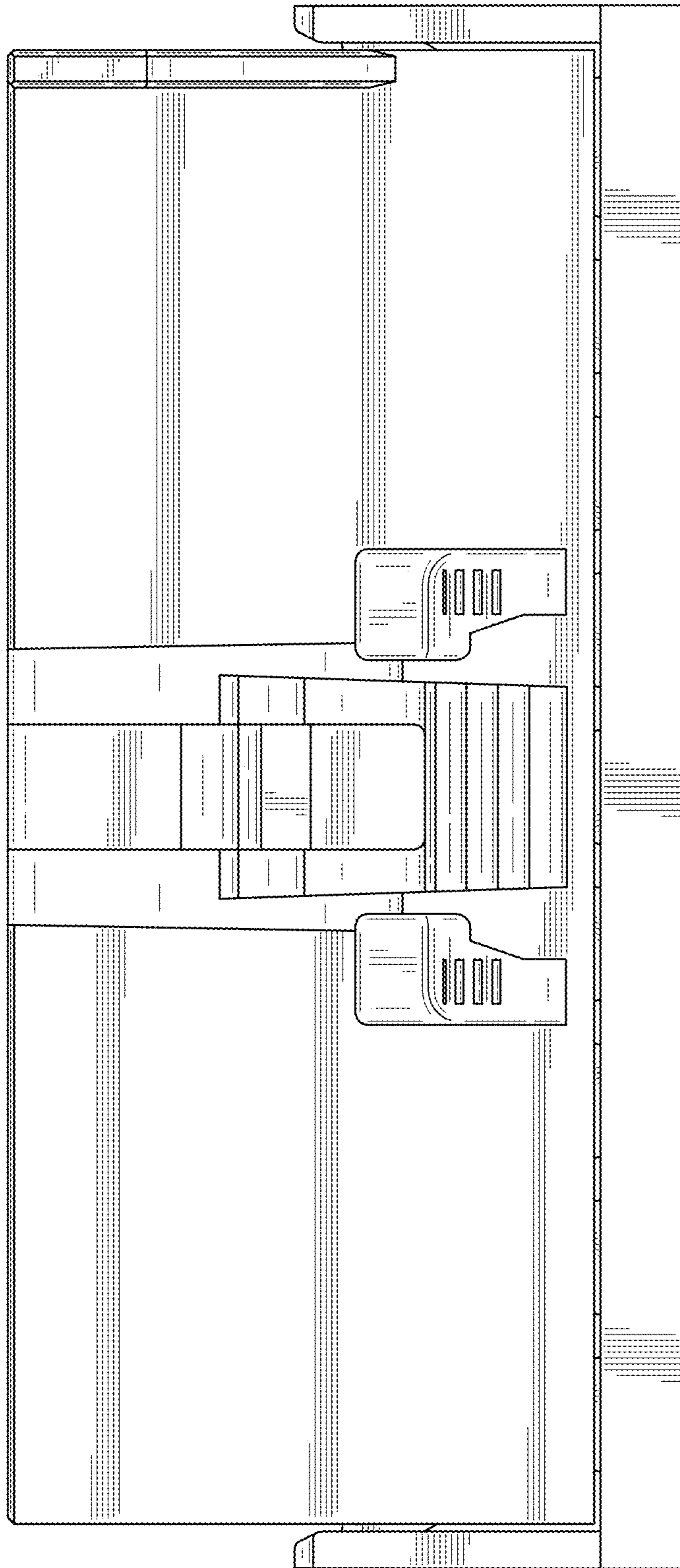


FIG. 142

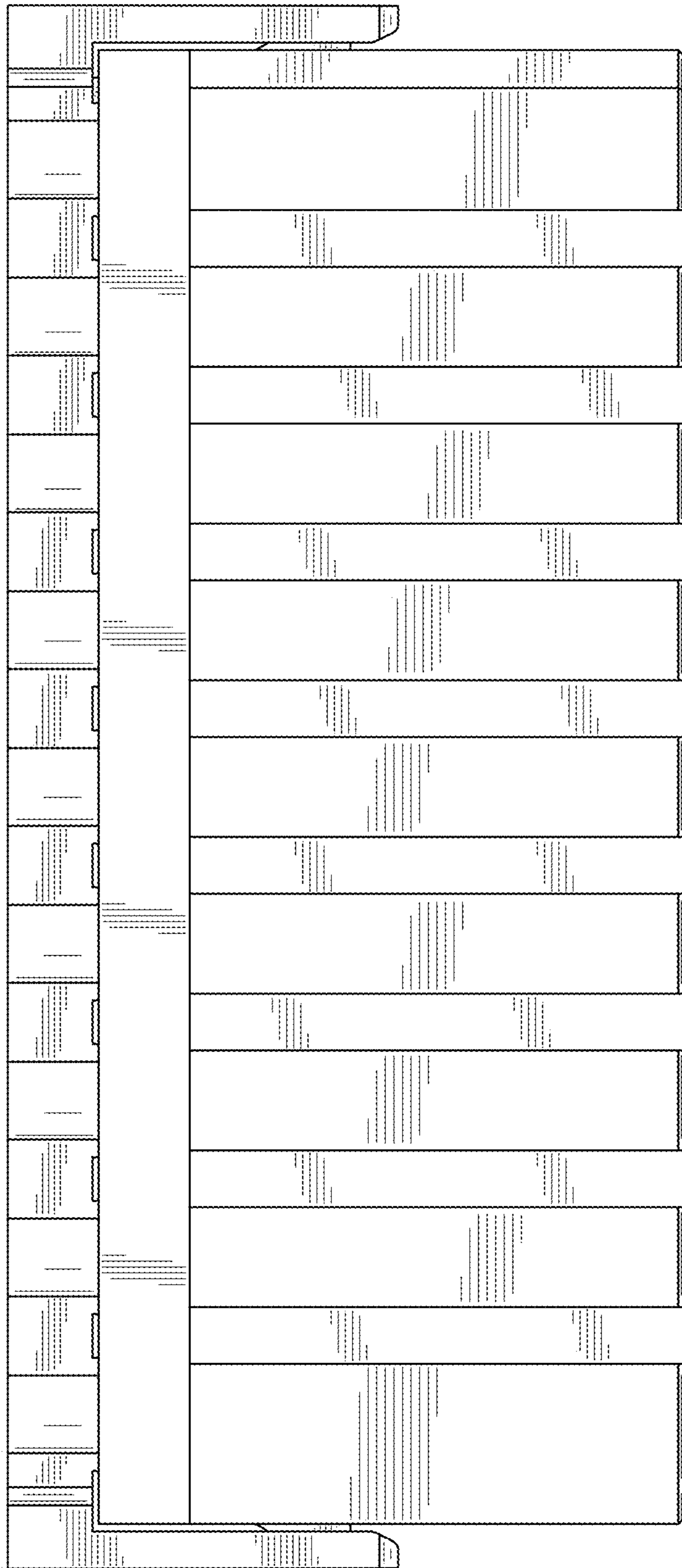


FIG. 143

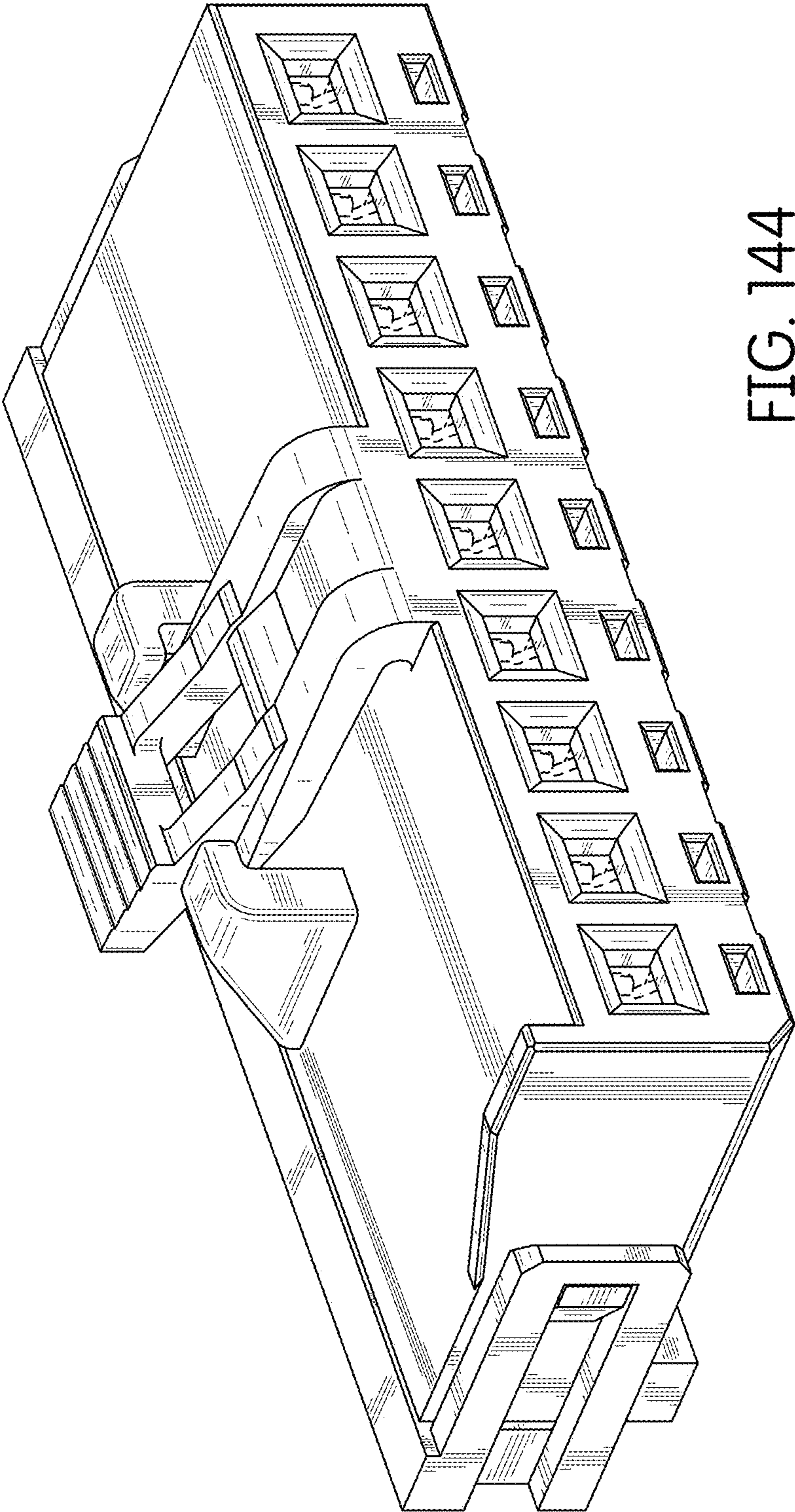


FIG. 144

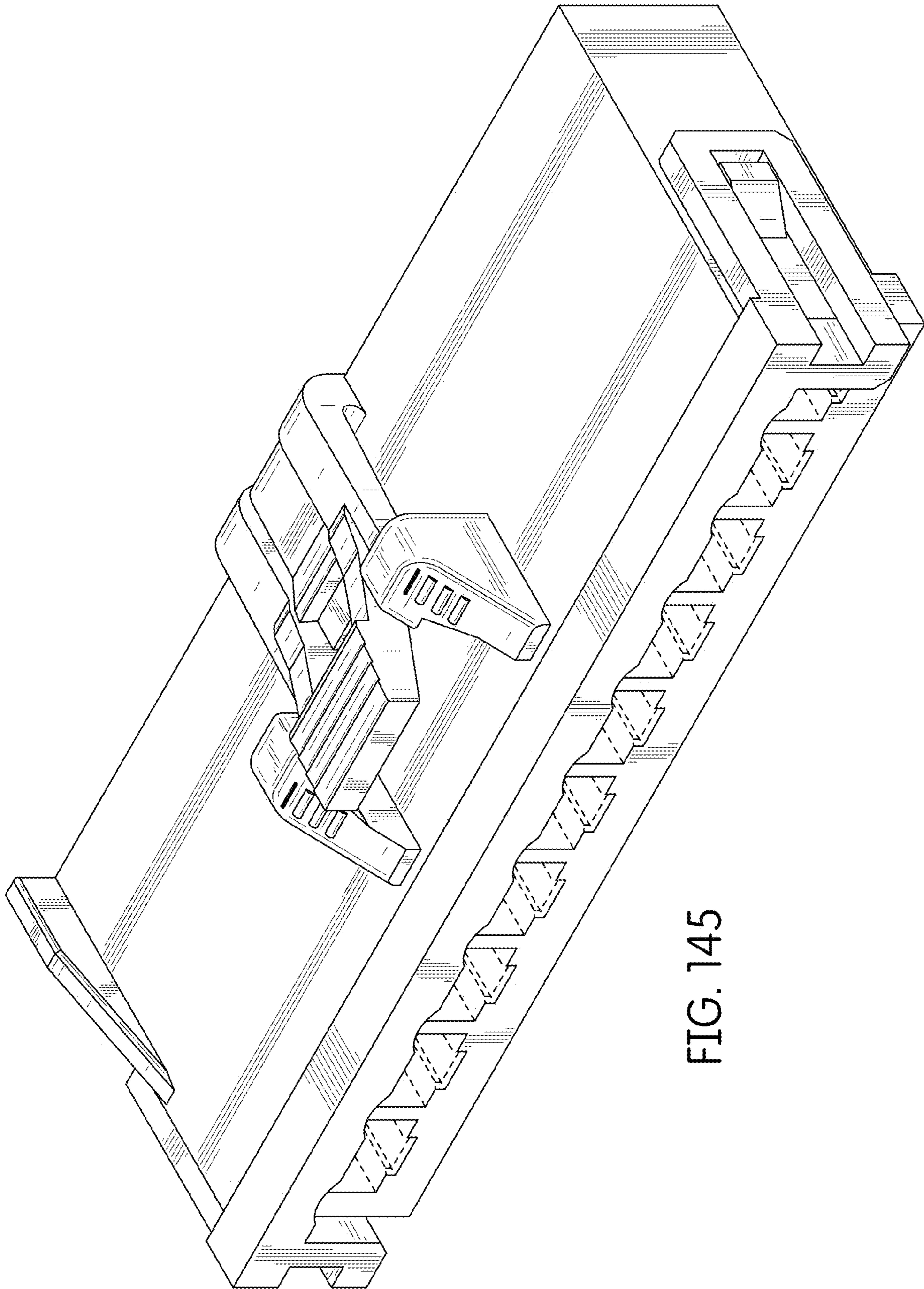


FIG. 145

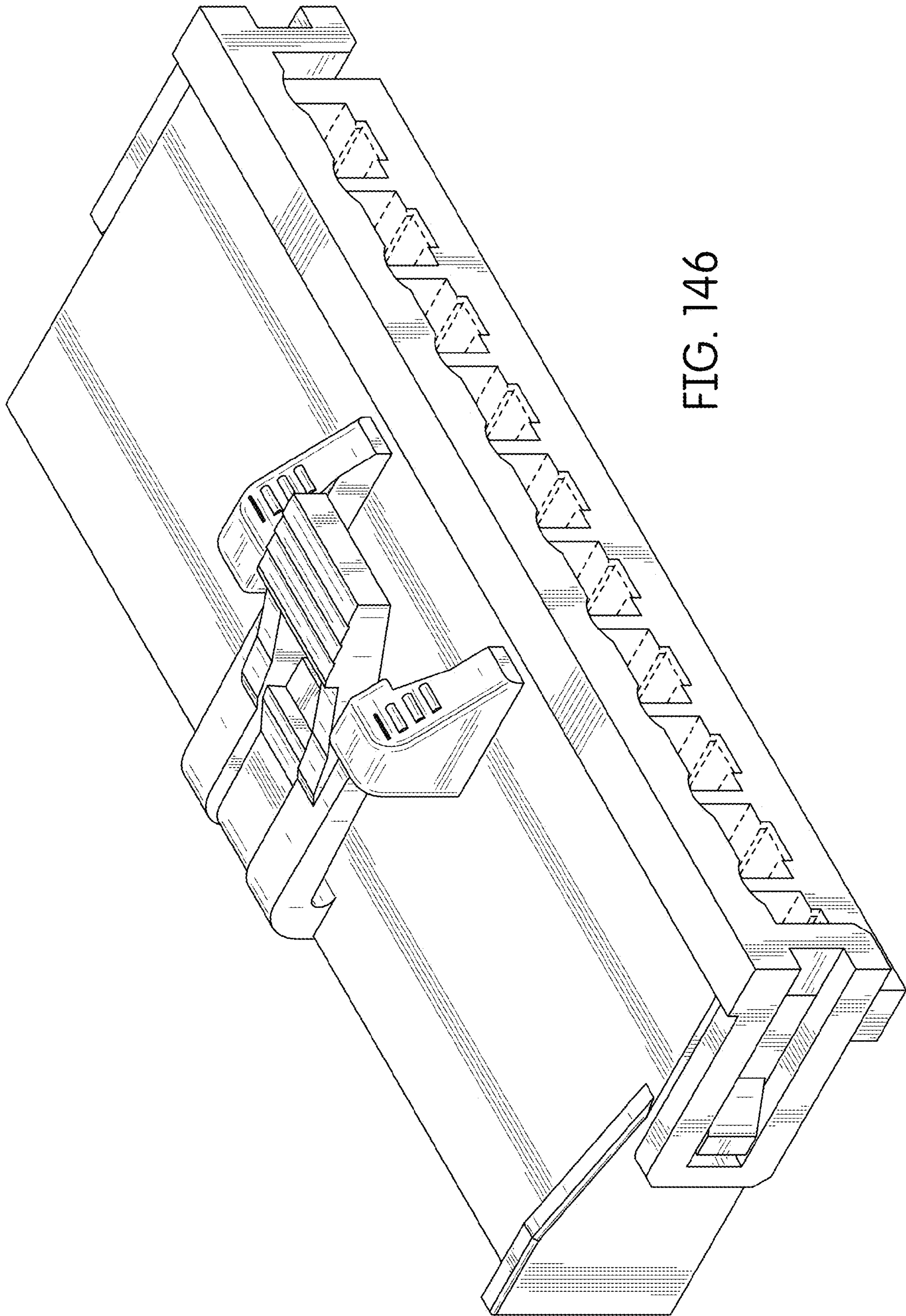


FIG. 146

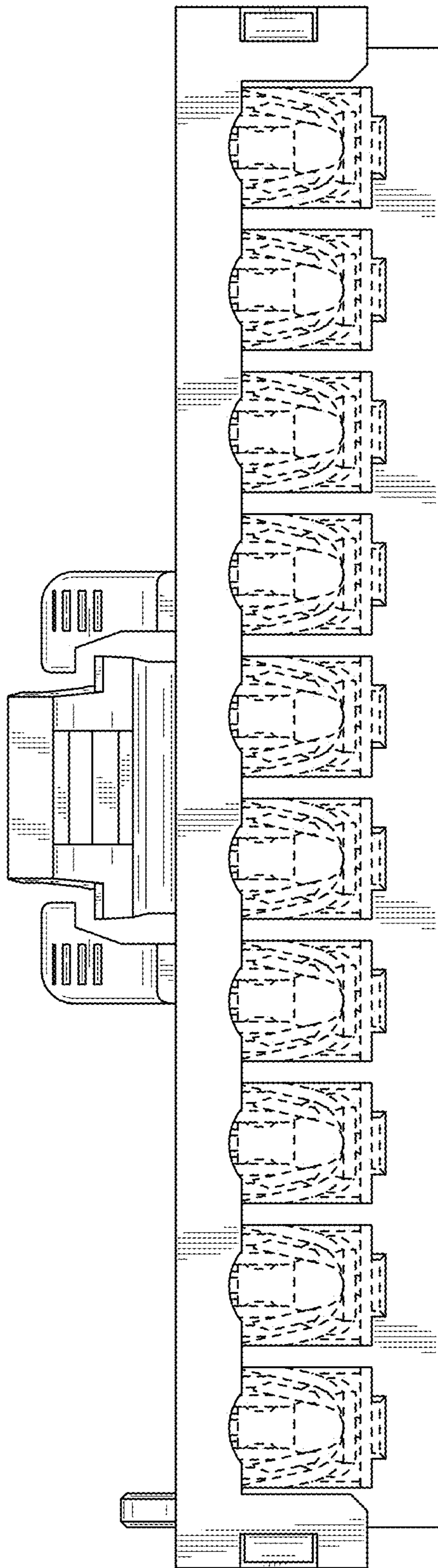


FIG. 147

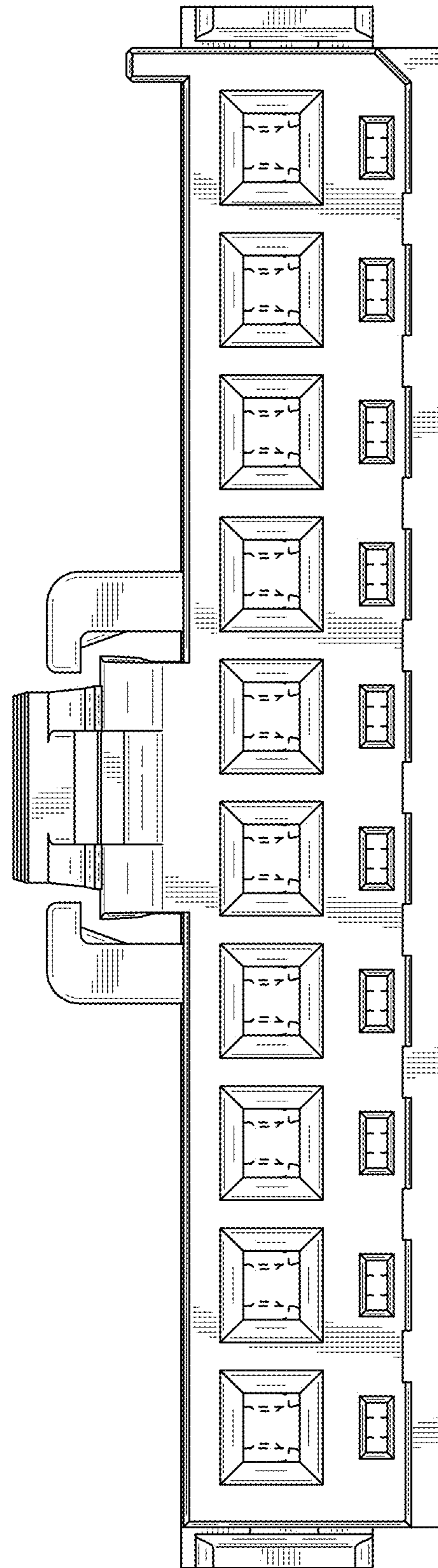


FIG. 148

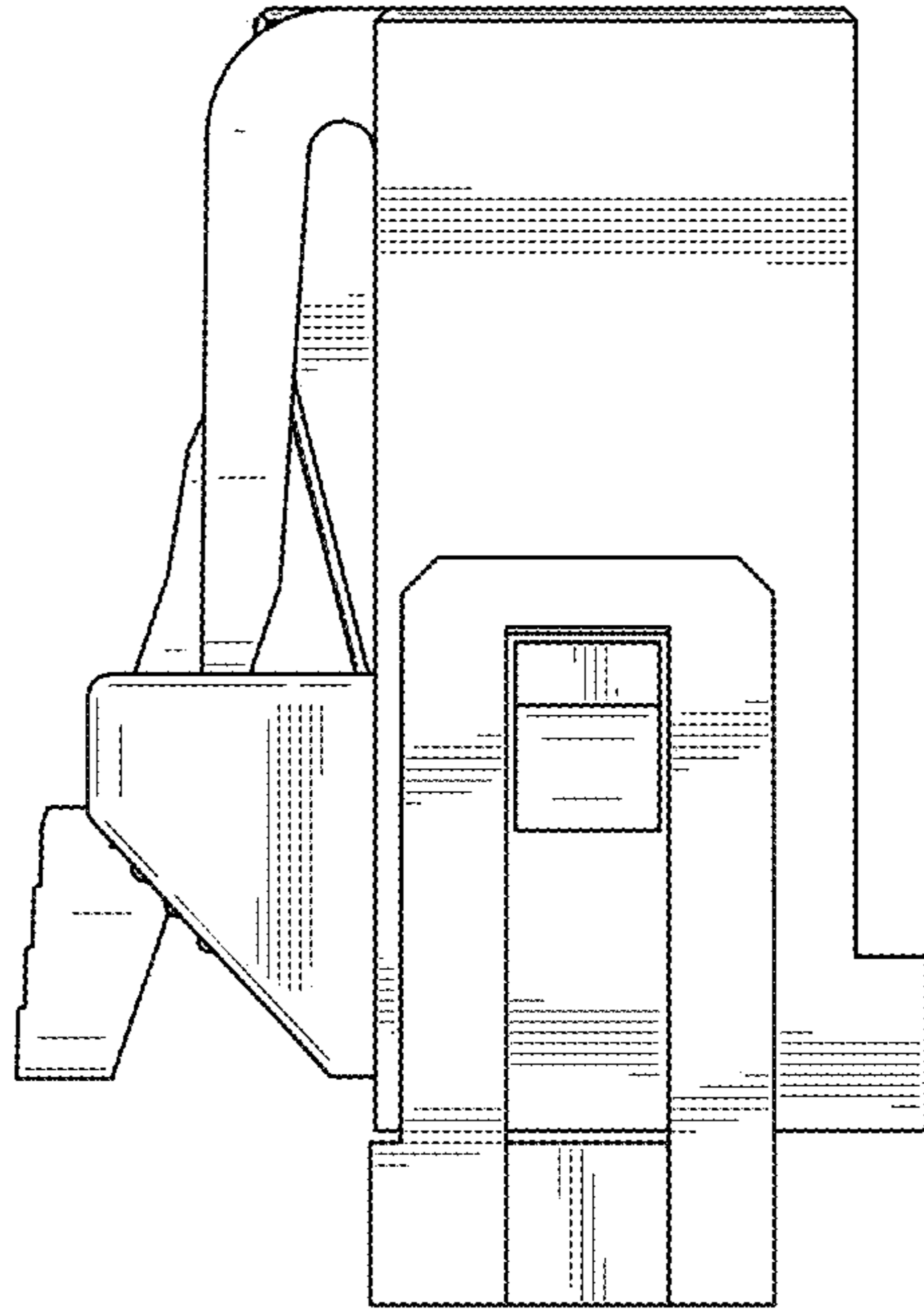


FIG. 150

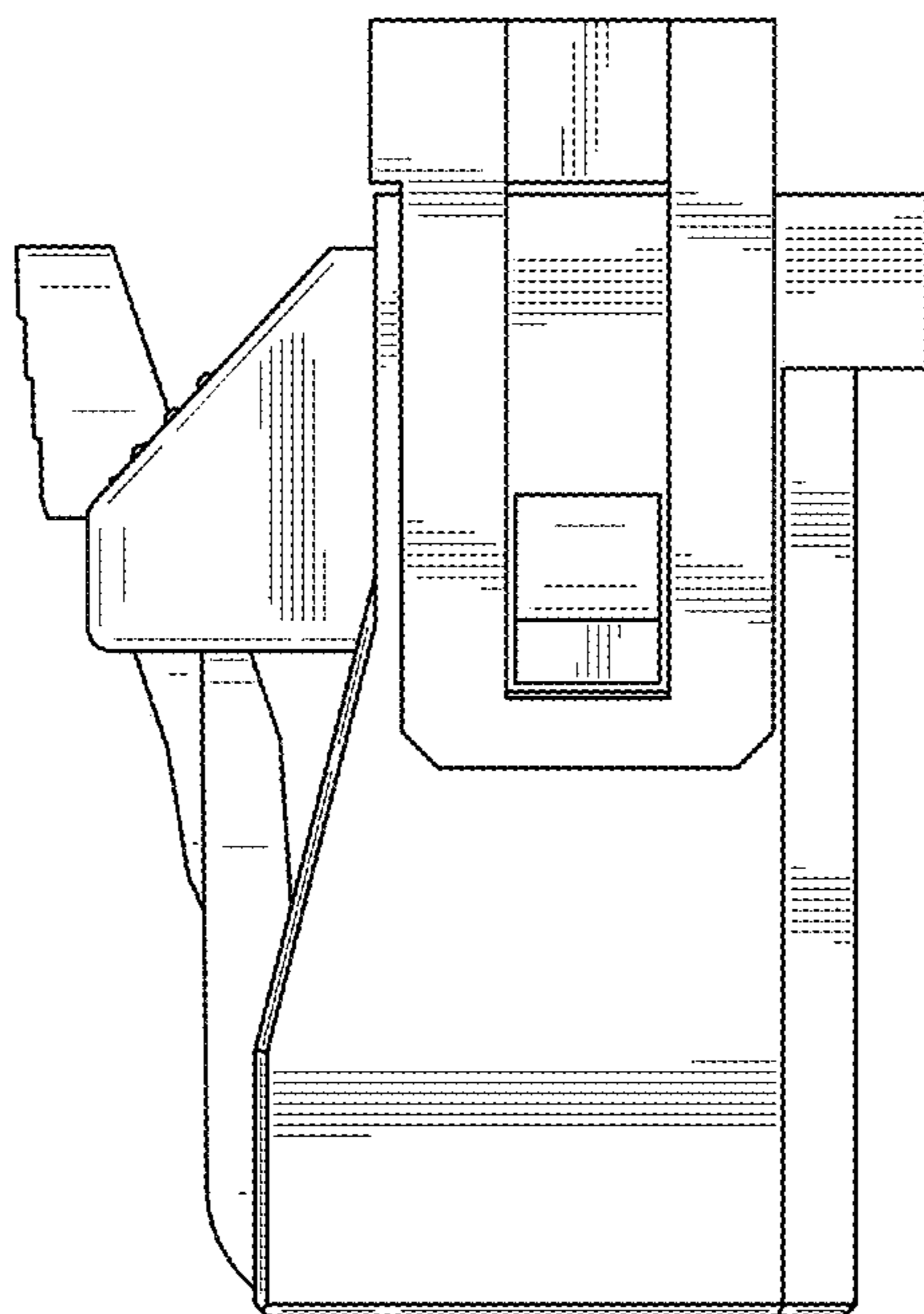


FIG. 149

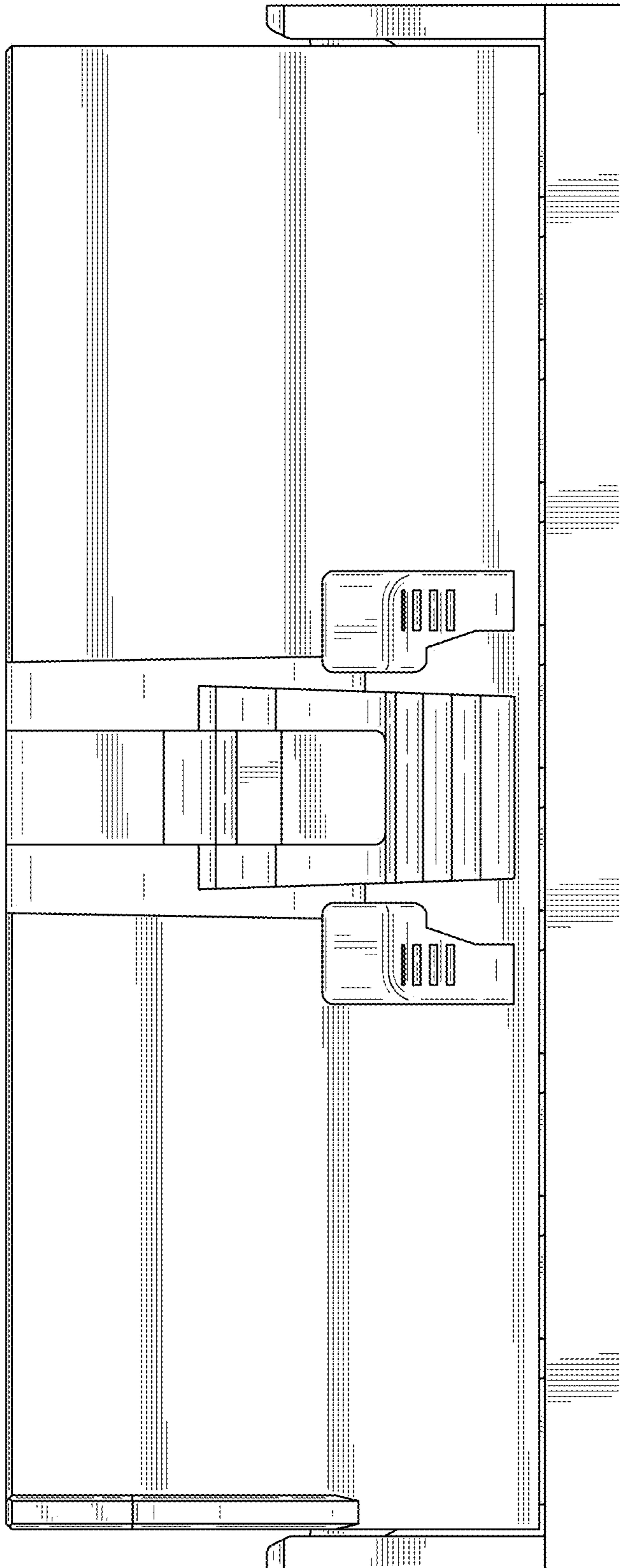


FIG. 151

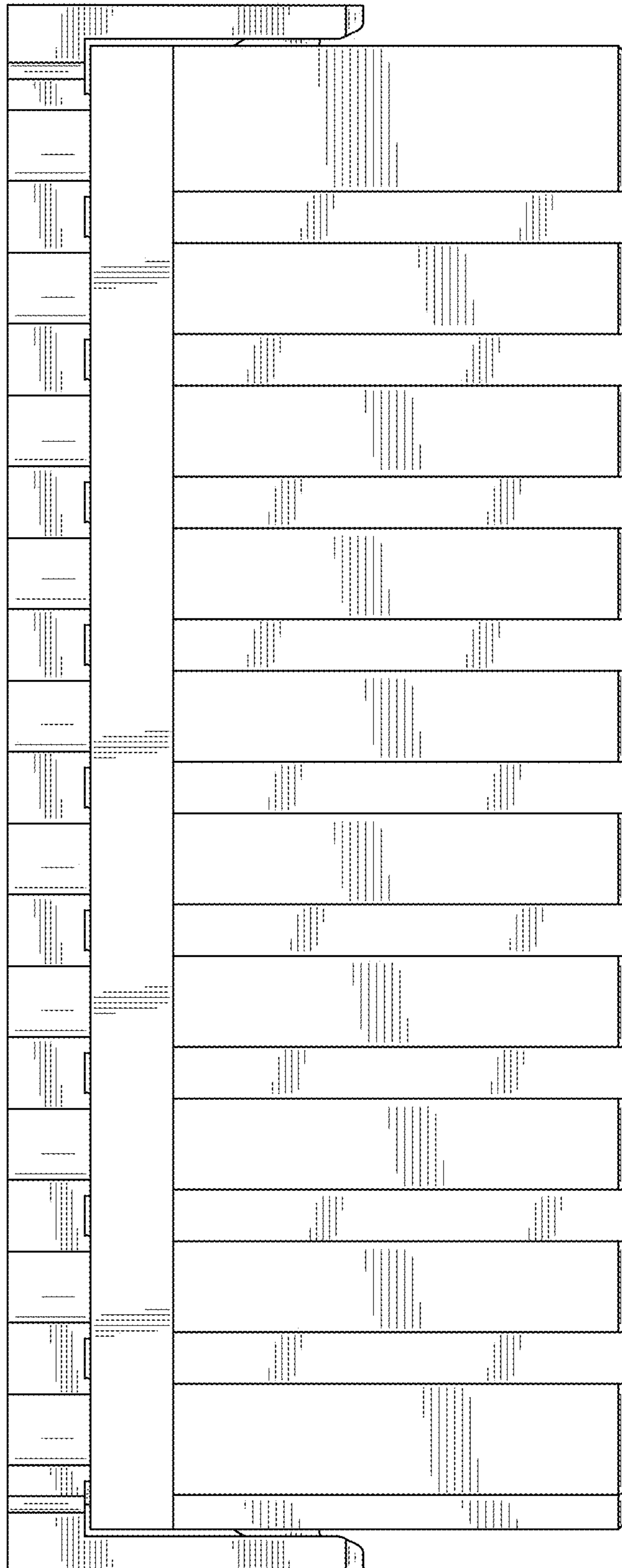


FIG. 152

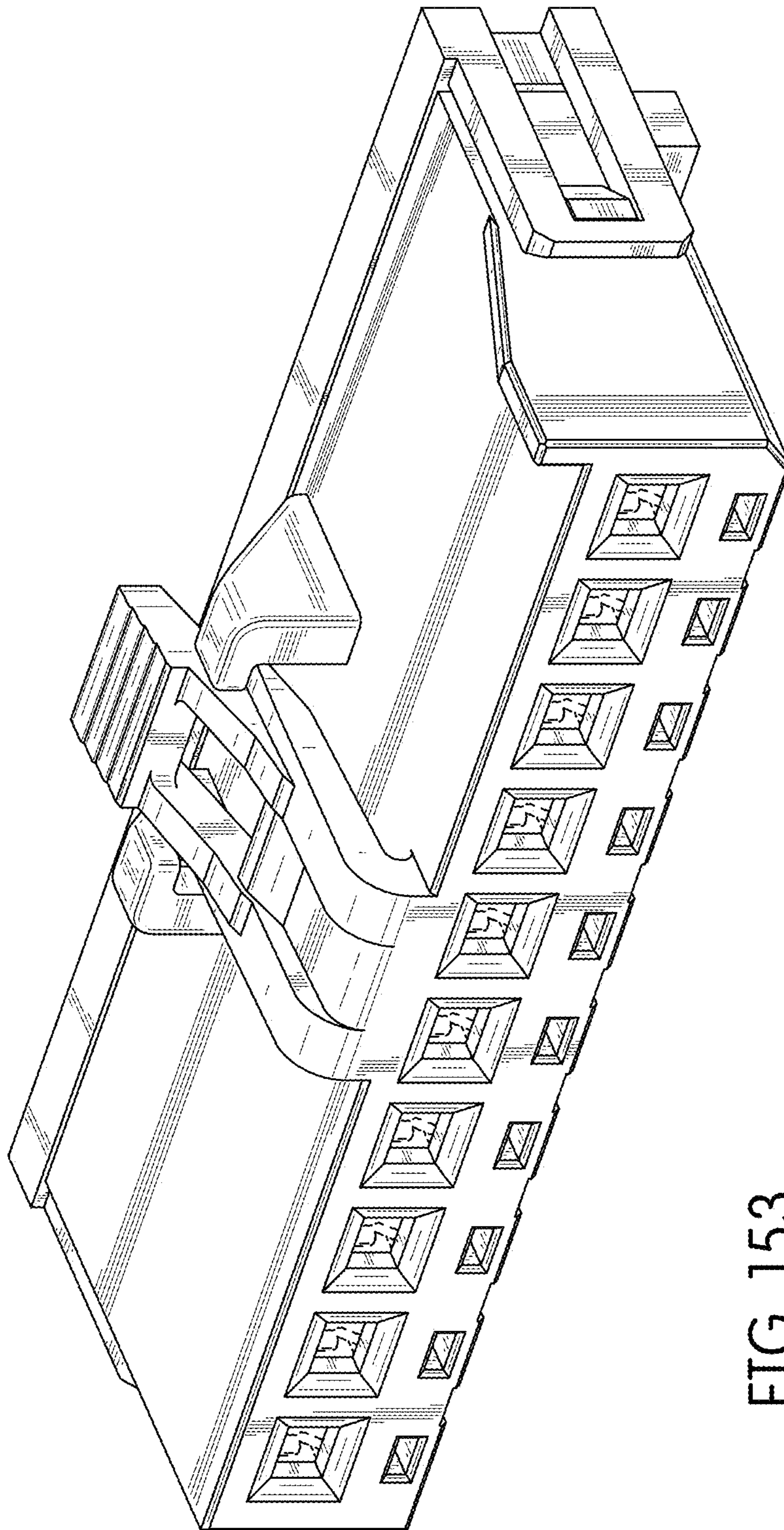


FIG. 153

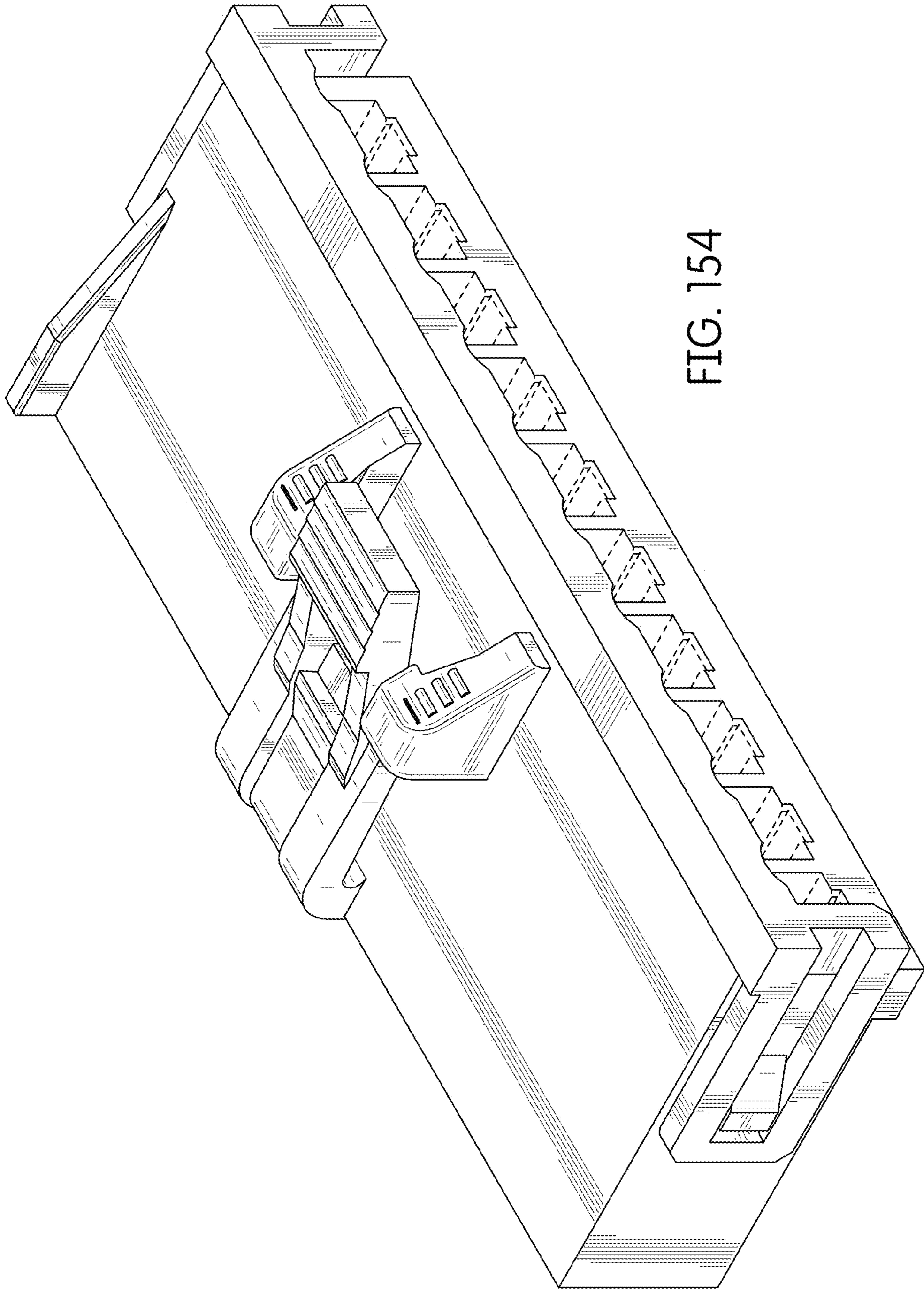


FIG. 154

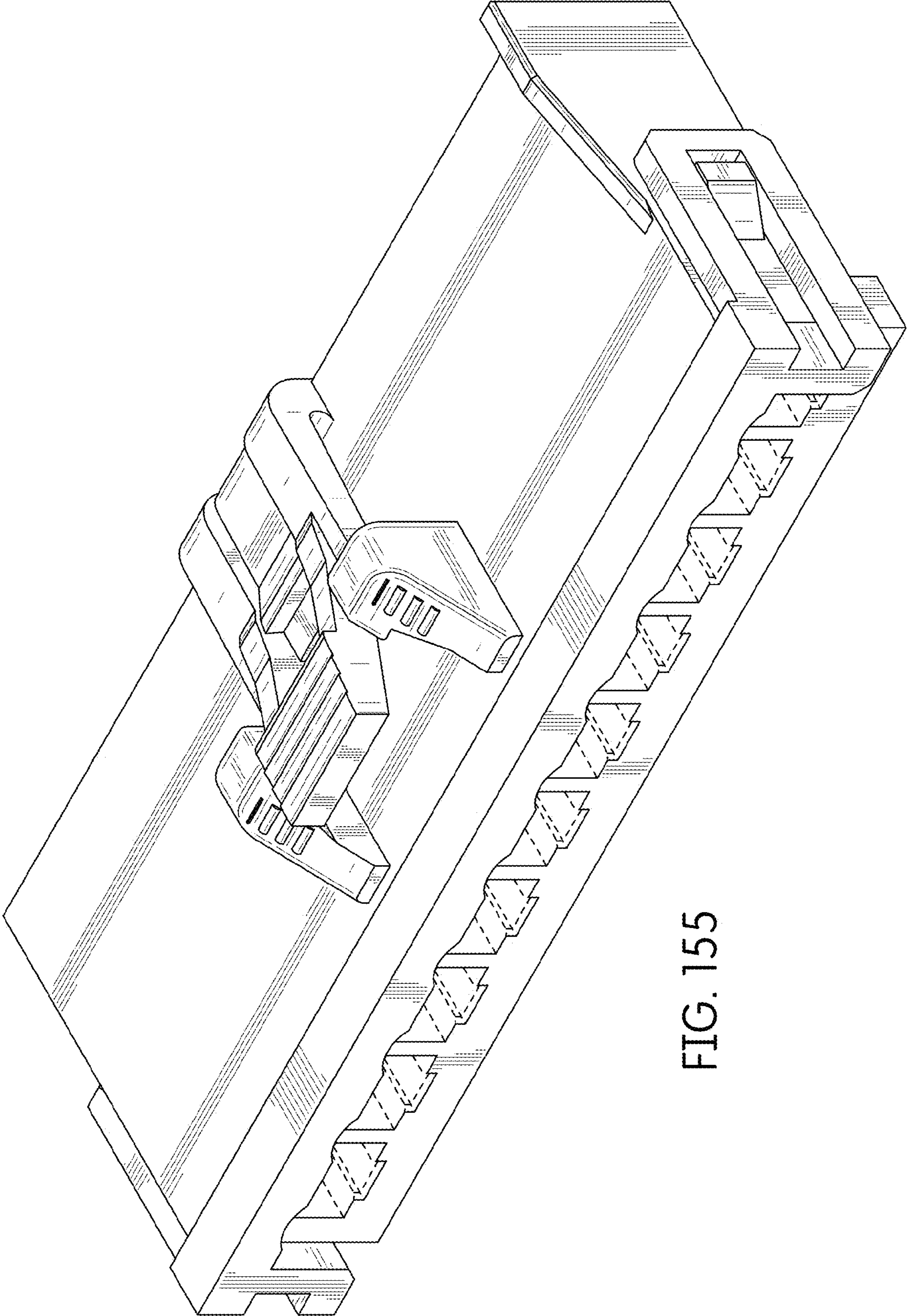


FIG. 155

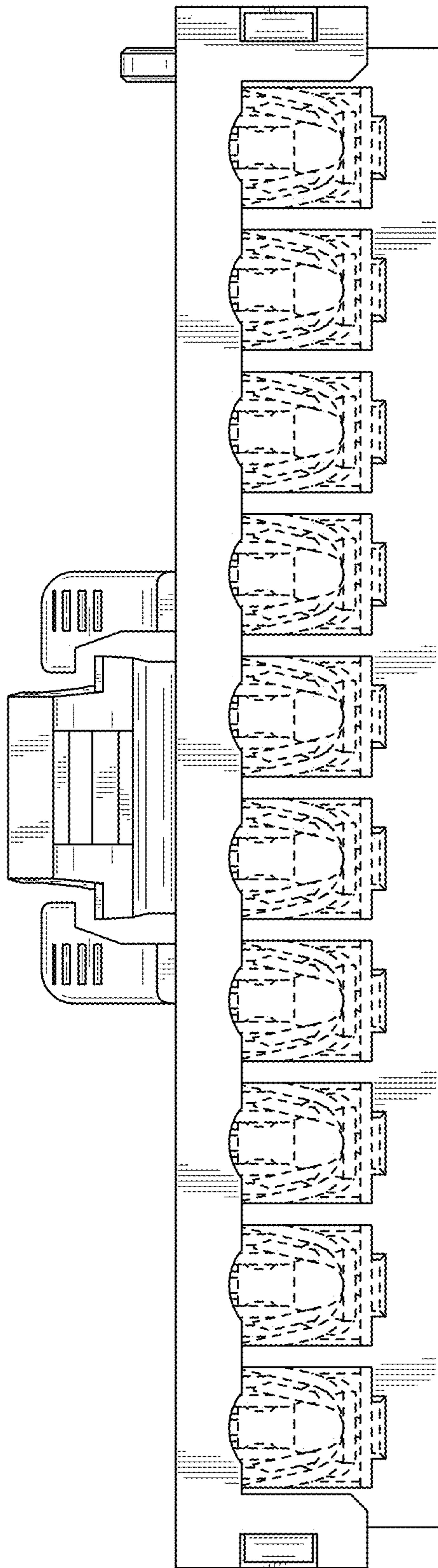


FIG. 156

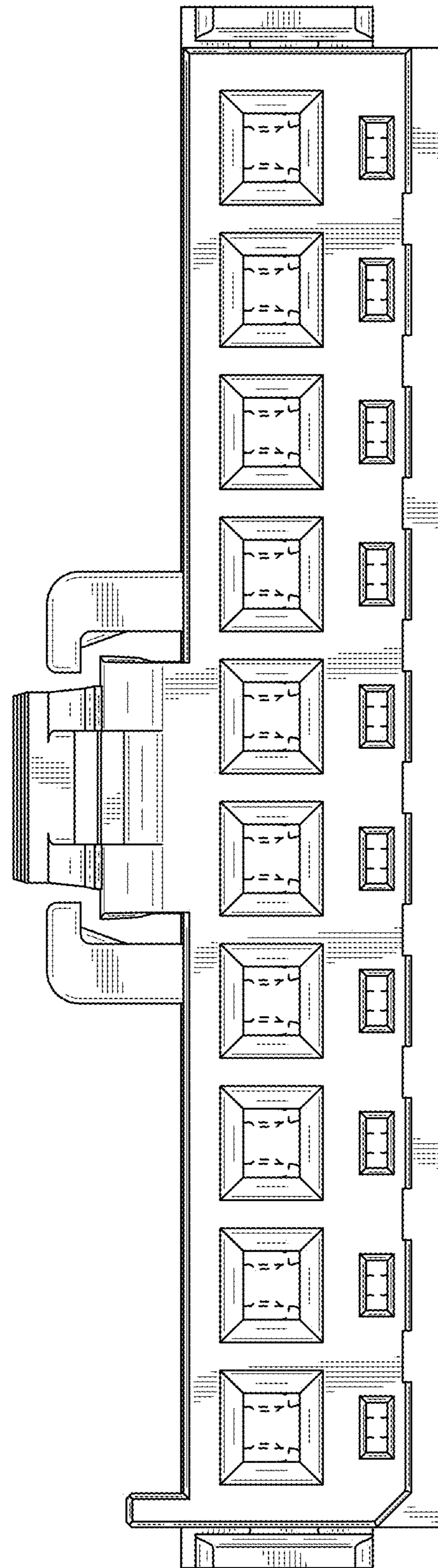


FIG. 157

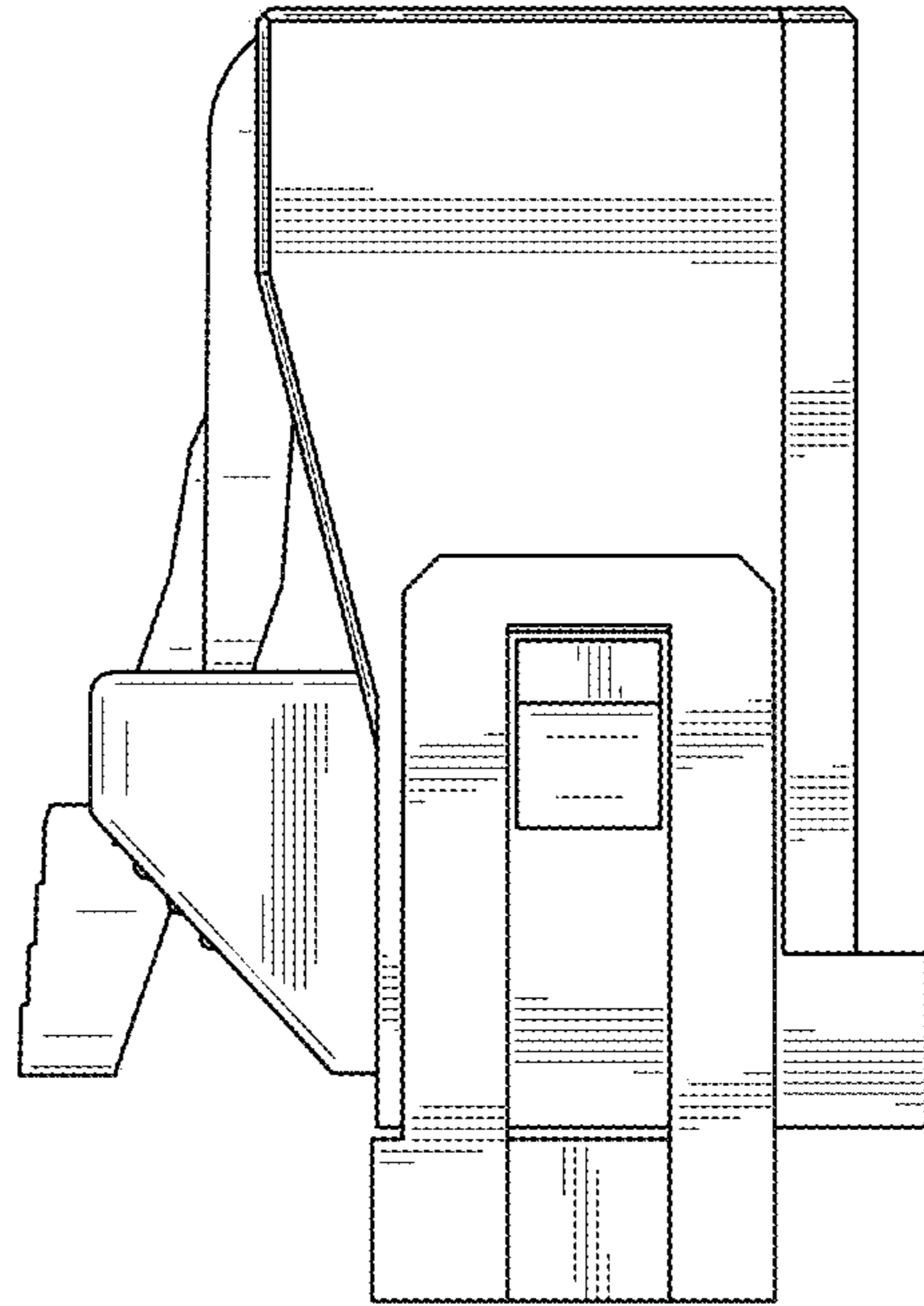


FIG. 159

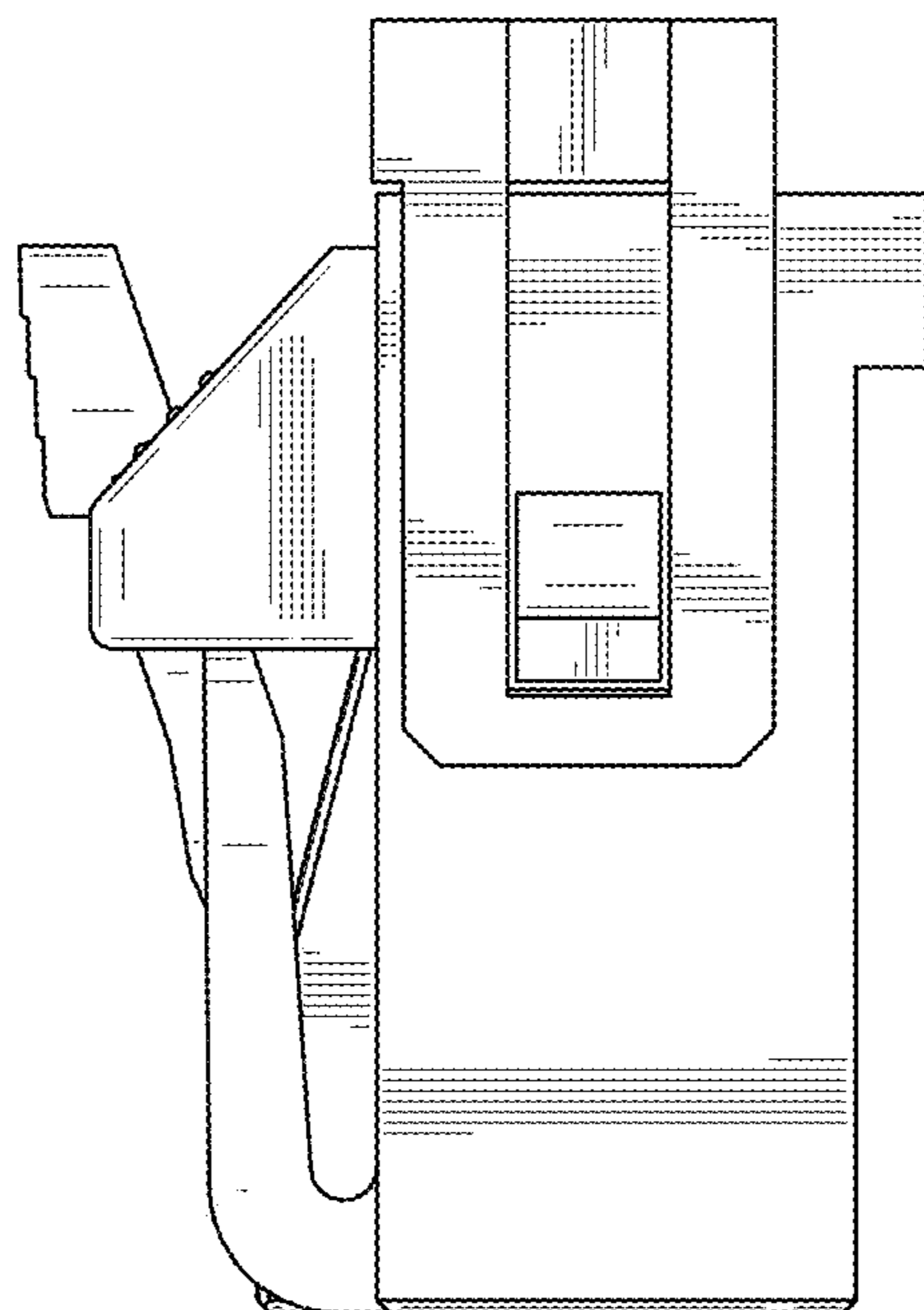


FIG. 158

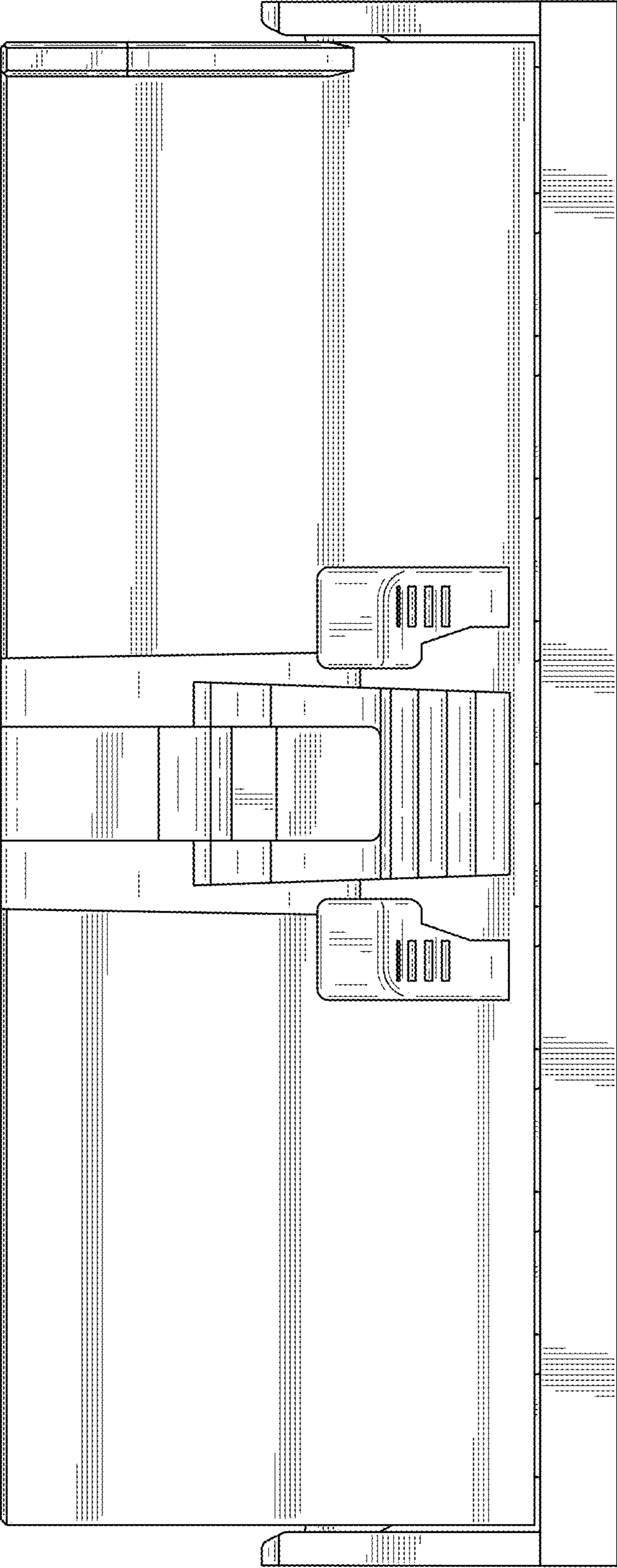


FIG. 160

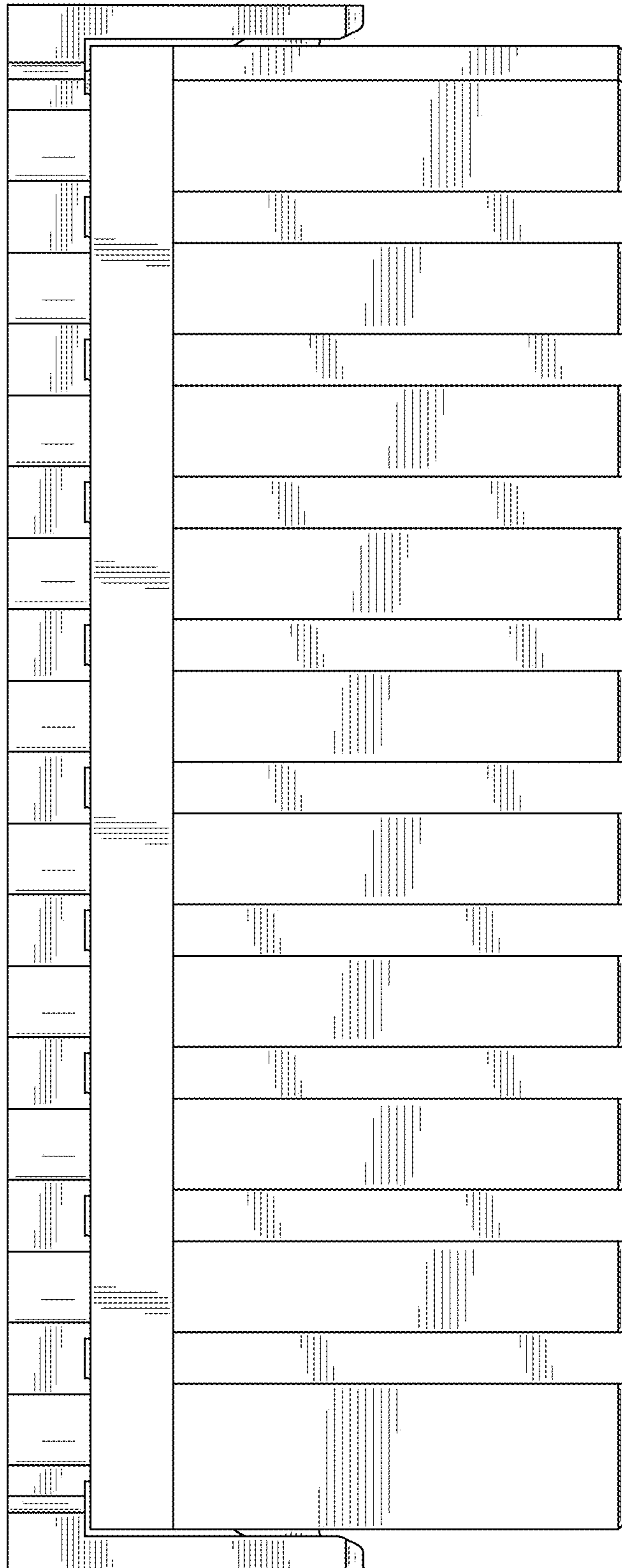


FIG. 161

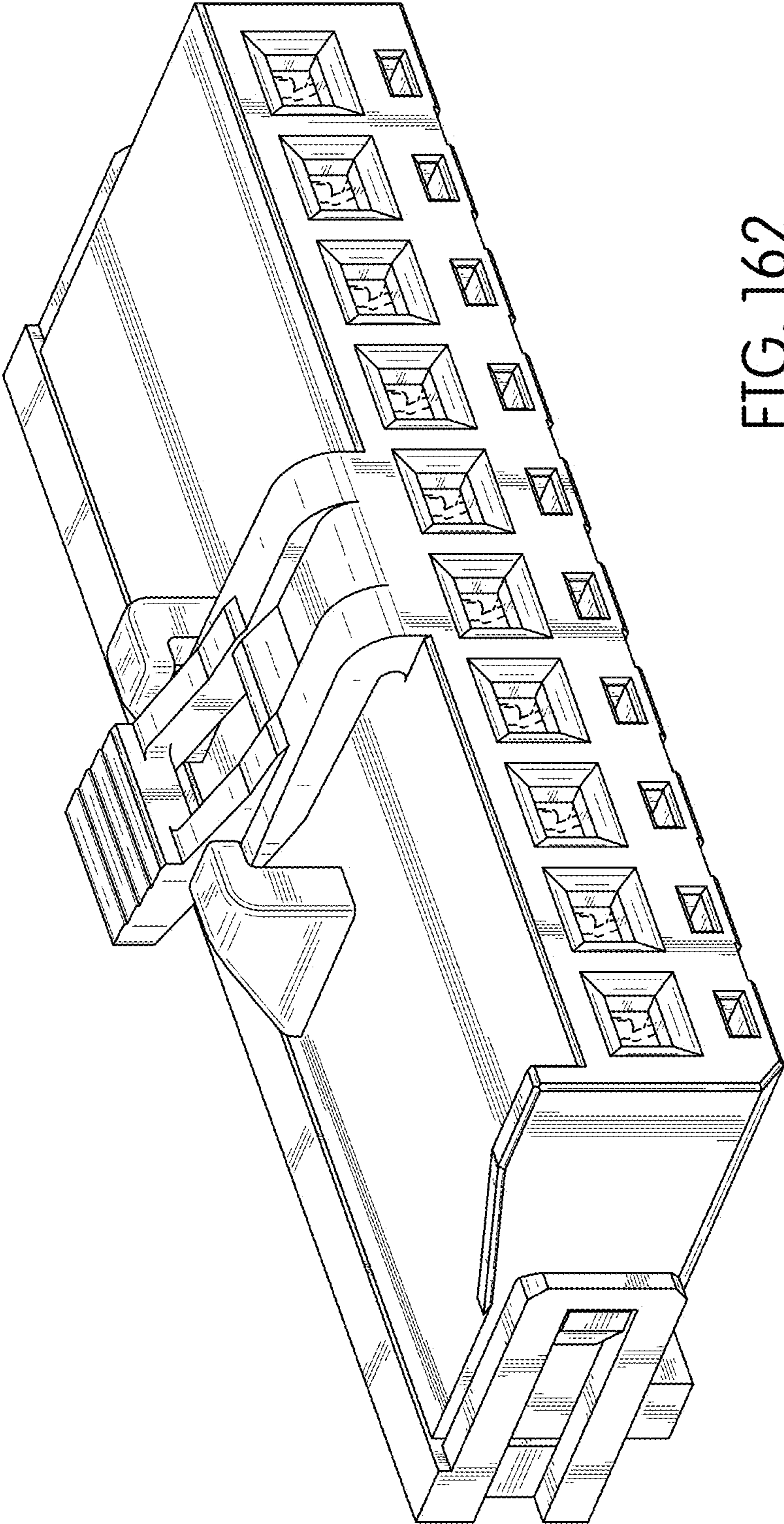


FIG. 162