



US00D906977S

(12) **United States Design Patent**
Somanathapura Ramanna et al.

(10) **Patent No.:** **US D906,977 S**
(45) **Date of Patent:** **** Jan. 5, 2021**

(54) **CONNECTOR HOUSING**

(74) *Attorney, Agent, or Firm* — Banner & Witcoff, Ltd.

(71) Applicant: **Molex, LLC**, Lisle, IL (US)

(57) **CLAIM**

(72) Inventors: **Nrupathunga Chakravarthy**
Somanathapura Ramanna, Bangalore
(IN); **KrishnaPrasad Darbal**
Somanath, Bangalore (IN); **Michael**
Gonzalez, Lisle, IL (US)

The ornamental design for a connector housing, as shown and described.

(73) Assignee: **Molex, LLC**, Lisle, IL (US)

DESCRIPTION

(**) Term: **15 Years**

(21) Appl. No.: **29/681,979**

(22) Filed: **Feb. 28, 2019**

(51) **LOC (13) Cl.** **13-03**

(52) **U.S. Cl.**
USPC **D13/133; D13/146; D13/147**

(58) **Field of Classification Search**
USPC **D3/203.1-3, 209; D11/101; D13/118,**
D13/123, 133, 146, 147, 155, 184, 199
(Continued)

FIG. 1 is a front perspective view of a connector housing showing our new design;
FIG. 2 is a top view thereof;
FIG. 3 is a bottom view thereof;
FIG. 4 is a left side view thereof;
FIG. 5 is a right side view thereof;
FIG. 6 is a front view thereof;
FIG. 7 is a rear view thereof;
FIG. 8 is a front perspective view of an alternate embodiment of a connector housing showing our new design;
FIG. 9 is a top view thereof;
FIG. 10 is a bottom view thereof;
FIG. 11 is a left side view thereof;
FIG. 12 is a right side view thereof;
FIG. 13 is a front view thereof;
FIG. 14 is a rear view thereof;
FIG. 15 is a front perspective view of an alternate embodiment of a connector housing showing our new design;
FIG. 16 is a top view thereof;
FIG. 17 is a bottom view thereof;
FIG. 18 is a left side view thereof;
FIG. 19 is a right side view thereof;
FIG. 20 is a front view thereof;
FIG. 21 is a rear view thereof;
FIG. 22 is a front perspective view of an alternate embodiment of a connector housing showing our new design;
FIG. 23 is a top view thereof;
FIG. 24 is a bottom view thereof;
FIG. 25 is a left side view thereof;
FIG. 26 is a right side view thereof;
FIG. 27 is a front view thereof; and,
FIG. 28 is a rear view thereof.

(56) **References Cited**

U.S. PATENT DOCUMENTS

4,093,332 A 6/1978 Simko
4,311,355 A 1/1982 Plyler et al.
(Continued)

OTHER PUBLICATIONS

Waterproof Connector, May 21, 2016, [online], [site visited Apr. 7, 2020], Available from Internet URL: <https://www.amazon.com/dp/B07QFW8X9Z/ref=psdc_15729341_t5_B01A6LTK44> (Year: 2016).*

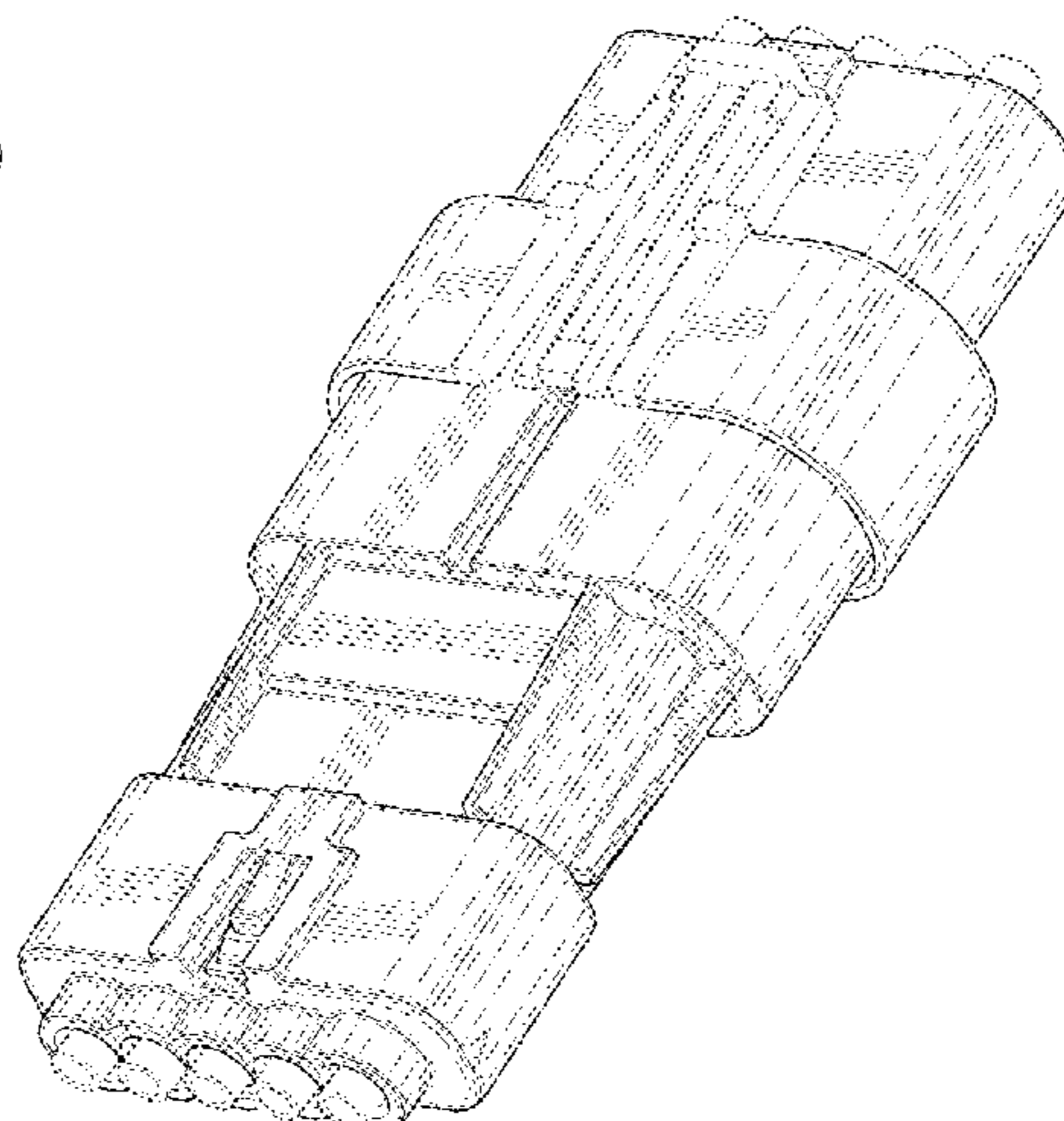
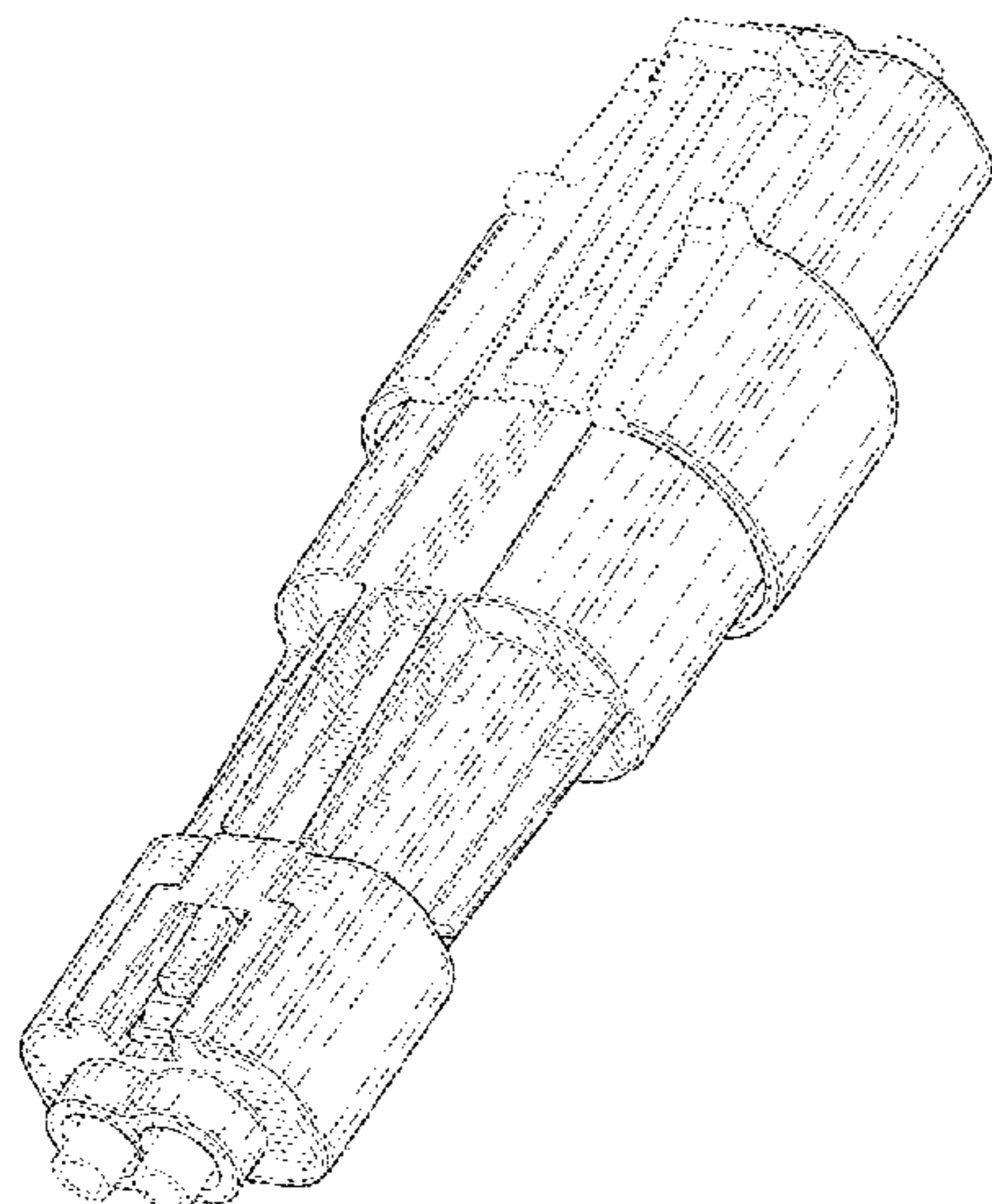
(Continued)

Primary Examiner — Karen E Kearney

Assistant Examiner — Michael Chong

The broken lines immediately adjacent to the shaded areas represent the bounds of the claimed design and form no part

(Continued)



thereof. The broken lines depicting the remainder of the connector housing show features that form no part of the claimed design.

1 Claim, 24 Drawing Sheets

(58) **Field of Classification Search**

CPC H01R 12/88; H01R 12/29; H01R 13/24; H01R 13/52; H01R 13/506; H01R 13/516; H01R 13/58; H01R 13/5205; H01R 13/627; H01R 13/6315; H01R 13/6586; H01R 13/6597; H01R 13/213; H01R 13/518; H01R 13/5208; H01R 13/5812; H01R 13/5816; H01R 13/582; H01R 13/59; H01R 13/659

See application file for complete search history.

(56) **References Cited**

U.S. PATENT DOCUMENTS

D271,196	S	11/1983	Tetreault	
D306,426	S	3/1990	Endo et al.	
D308,513	S	6/1990	Endo et al.	
D309,289	S	7/1990	Endo et al.	
D310,995	S	10/1990	Yamamoto	
D318,718	S *	7/1991	Blatt	D13/133
D323,811	S	2/1992	Sueyoshi et al.	
D323,812	S	2/1992	Sueyoshi et al.	
D324,202	S	2/1992	Sueyoshi et al.	
D327,260	S *	6/1992	Davis	D13/184
D336,283	S	6/1993	Ohkura et al.	
5,503,568	A *	4/1996	Pryce	H01R 13/5812 439/427
5,618,198	A *	4/1997	Sato	H01R 13/5208 439/274
5,632,653	A	5/1997	Sawada	
5,908,327	A	6/1999	Tsuji et al.	
6,116,938	A *	9/2000	Myer	H01R 13/6272 439/271
D440,938	S *	4/2001	Goto	D13/133
6,355,884	B1	3/2002	Gretz	
D472,524	S *	4/2003	Yamawaki	D13/147
D474,447	S	5/2003	Kano	
D546,763	S	7/2007	Kovacs	

D546,764	S	7/2007	Ciancanelli et al.	
D546,765	S	7/2007	Ciancanelli et al.	
D561,101	S	2/2008	Sakamoto	
D564,963	S	3/2008	Sakamoto	
D596,125	S *	7/2009	Norin	D13/133
RE42,230	E *	3/2011	Norin	D13/133
8,257,111	B1 *	9/2012	Smutny	H01R 13/5208 439/511
8,678,846	B2	3/2014	Hitchcock et al.	
D726,114	S *	4/2015	Nook	D13/133
9,048,563	B2	6/2015	Miura et al.	
9,577,367	B2	2/2017	Campbell et al.	
9,806,454	B2	10/2017	Nakai	
9,847,597	B2	12/2017	Uttarkar et al.	
D822,610	S *	7/2018	Ramakrishna Gowda	D13/146
D823,807	S	7/2018	Armacost et al.	
10,038,266	B2	7/2018	Nakashima et al.	
D826,549	S	8/2018	Lospinoso et al.	
D835,044	S	12/2018	Ramanna et al.	
10,189,395	B2	1/2019	Wymore	
D848,373	S *	5/2019	Ramakrishna Gowda	D13/146
D848,374	S	5/2019	Gregori	
D848,953	S *	5/2019	Gregori	D13/147
10,396,490	B2	8/2019	Okamura et al.	
10,476,189	B2 *	11/2019	Tsubaki	H01R 12/774
D873,774	S *	1/2020	Cao	D13/133
10,615,537	B2 *	4/2020	Shi	H01R 13/514
D893,426	S *	8/2020	Somanathapura Ramanna	D13/133
2019/0356082	A1	11/2019	Kurita	
2020/0021057	A1	1/2020	Yi et al.	
2020/0119486	A1 *	4/2020	Miyazawa	H01R 13/5205
2020/0144760	A1 *	5/2020	Ikeya	H01R 13/52

OTHER PUBLICATIONS

Water Proof Connector, Aug. 24, 2014, [online], [site visited Apr. 7, 2020], Available from Internet URL: <<https://www.amazon.com/HiseNook-Waterproof-Electrical-Connector-Package/dp/B00MZVYB3O>> (Year: 2014).*

Figure 8 Connector, Jan. 27, 2016, [online], [site visited Apr. 10, 2020], Available from Internet URL: <<https://buy.wesco.com/Grounding-Bonding-Cable-Cable-Rod-Taps/BURNDY/Compression-Ground-Figure-8/YGHR29C34/p/78181022075-1>> (Year: 2016).*

Wiring Systems, Feb. 17, 2017, [online], [site visited Apr. 7, 2020], Available from Internet URL: <<https://global.rakuten.com/en/store/auc-hi-1000/item/6p090k-he-m/>> (Year: 2013).

* cited by examiner

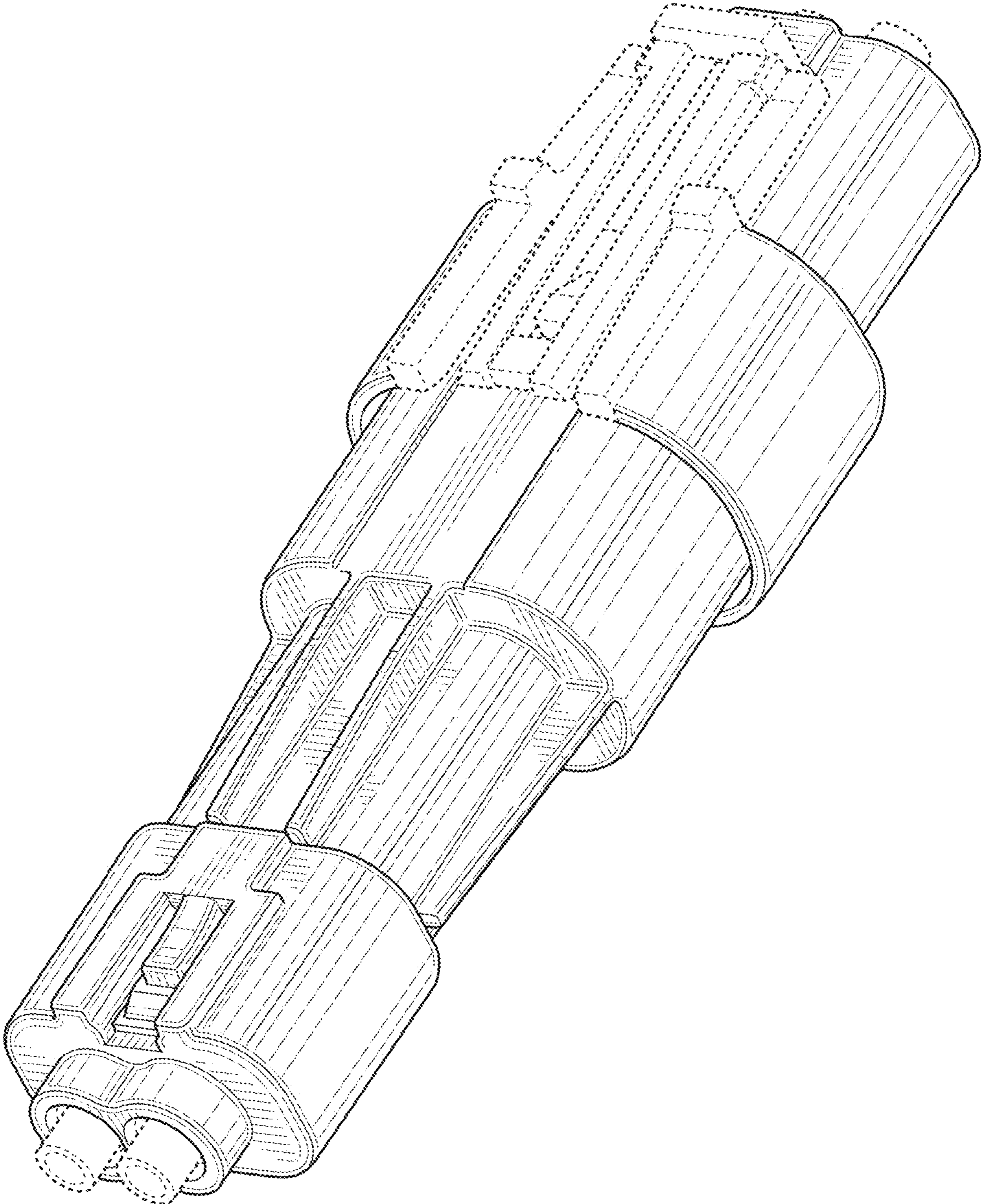


FIG. 1

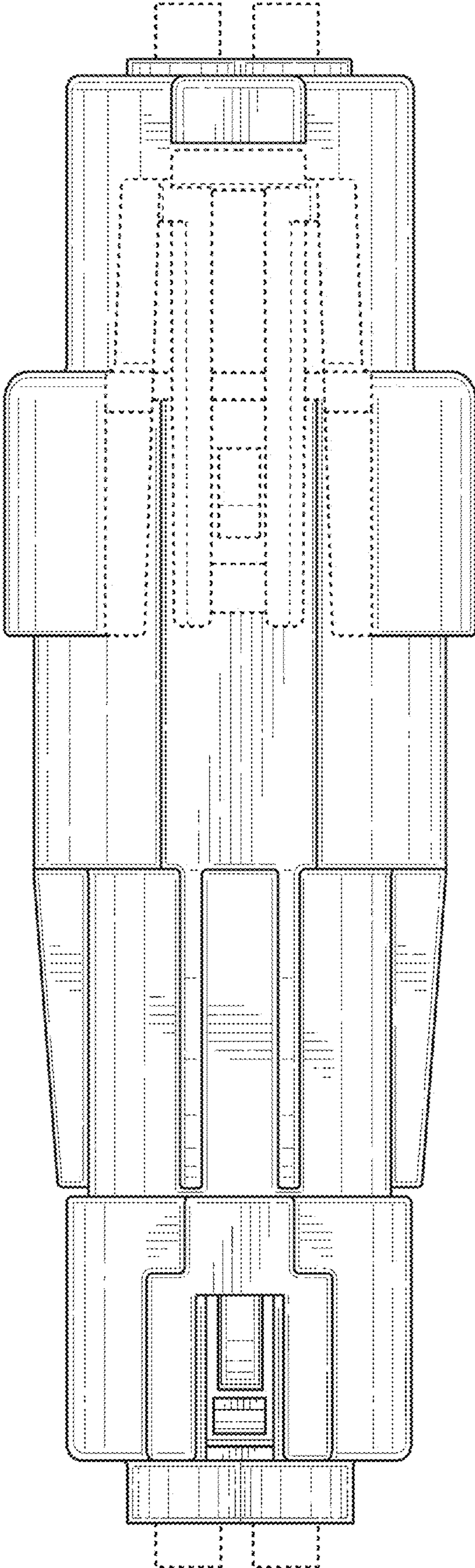


FIG. 2

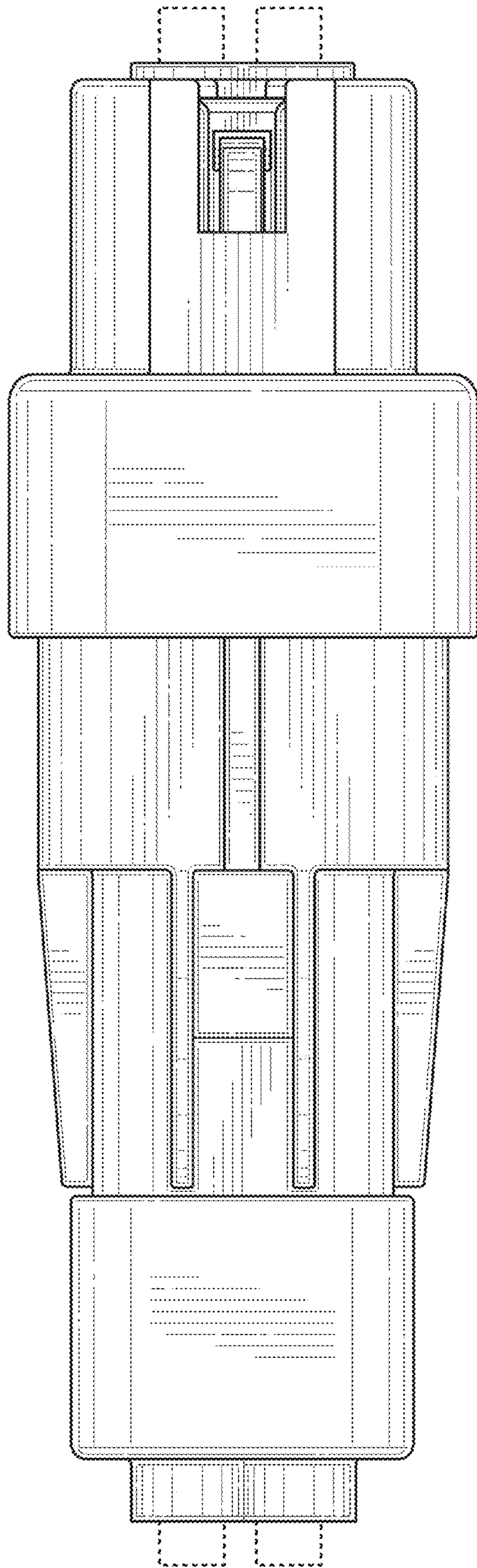


FIG. 3

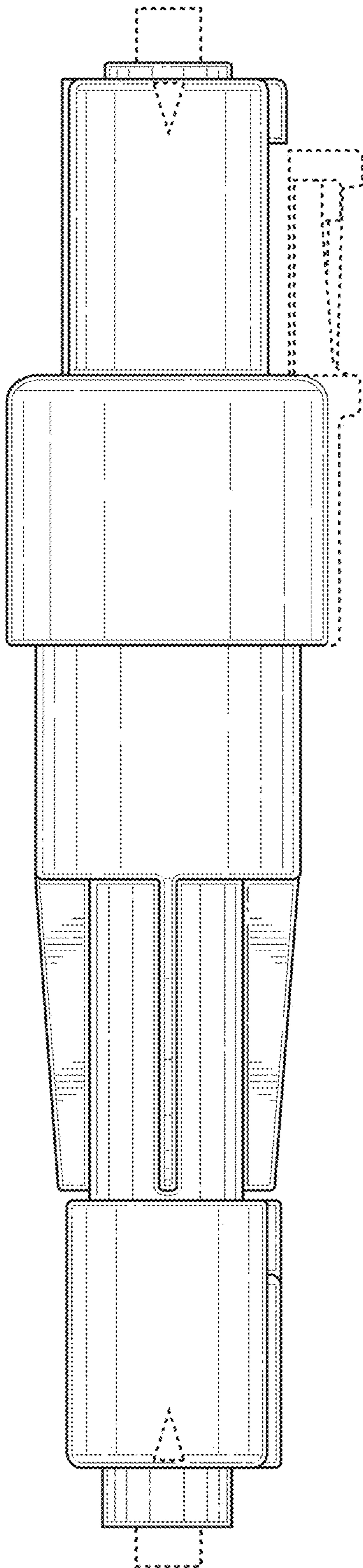


FIG. 4

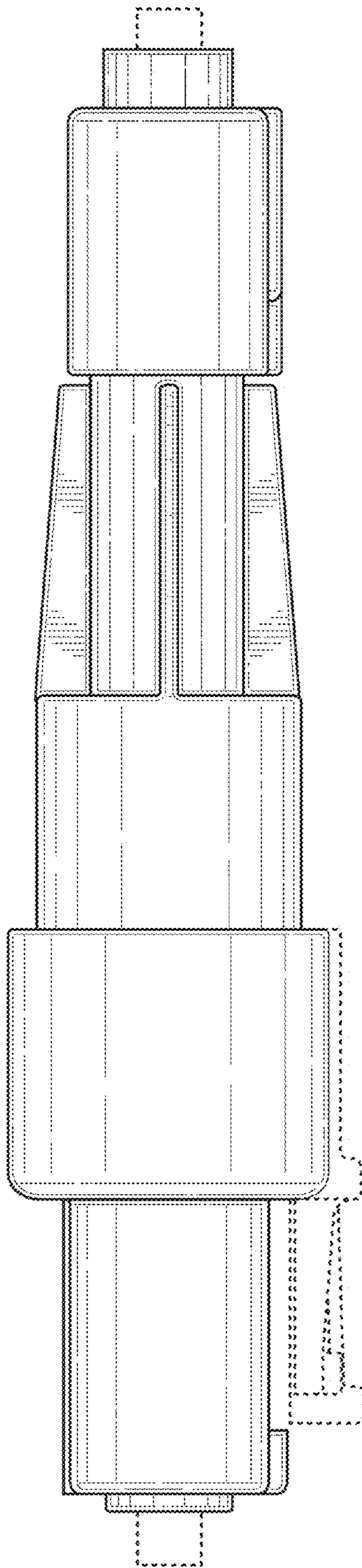


FIG. 5

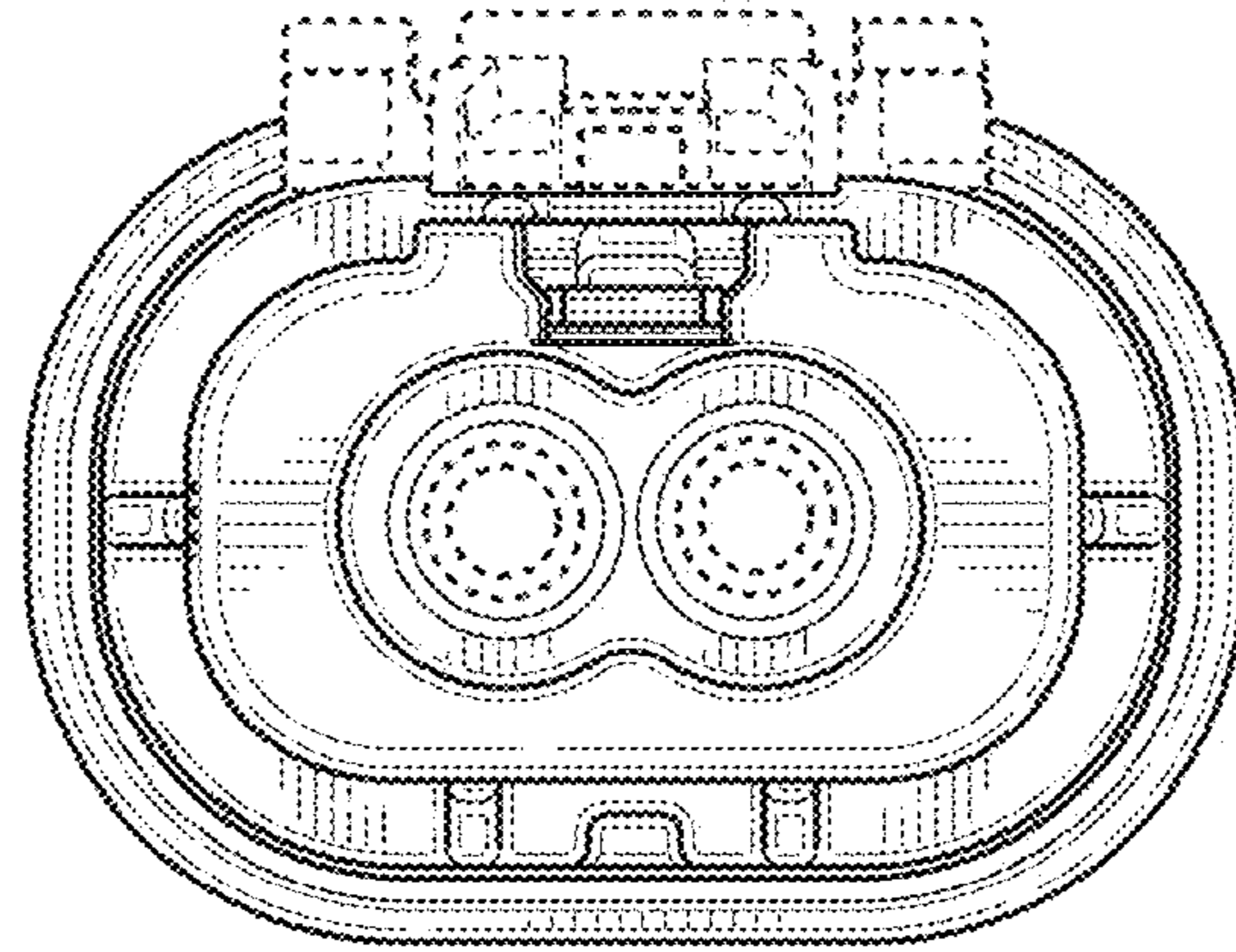


FIG. 6

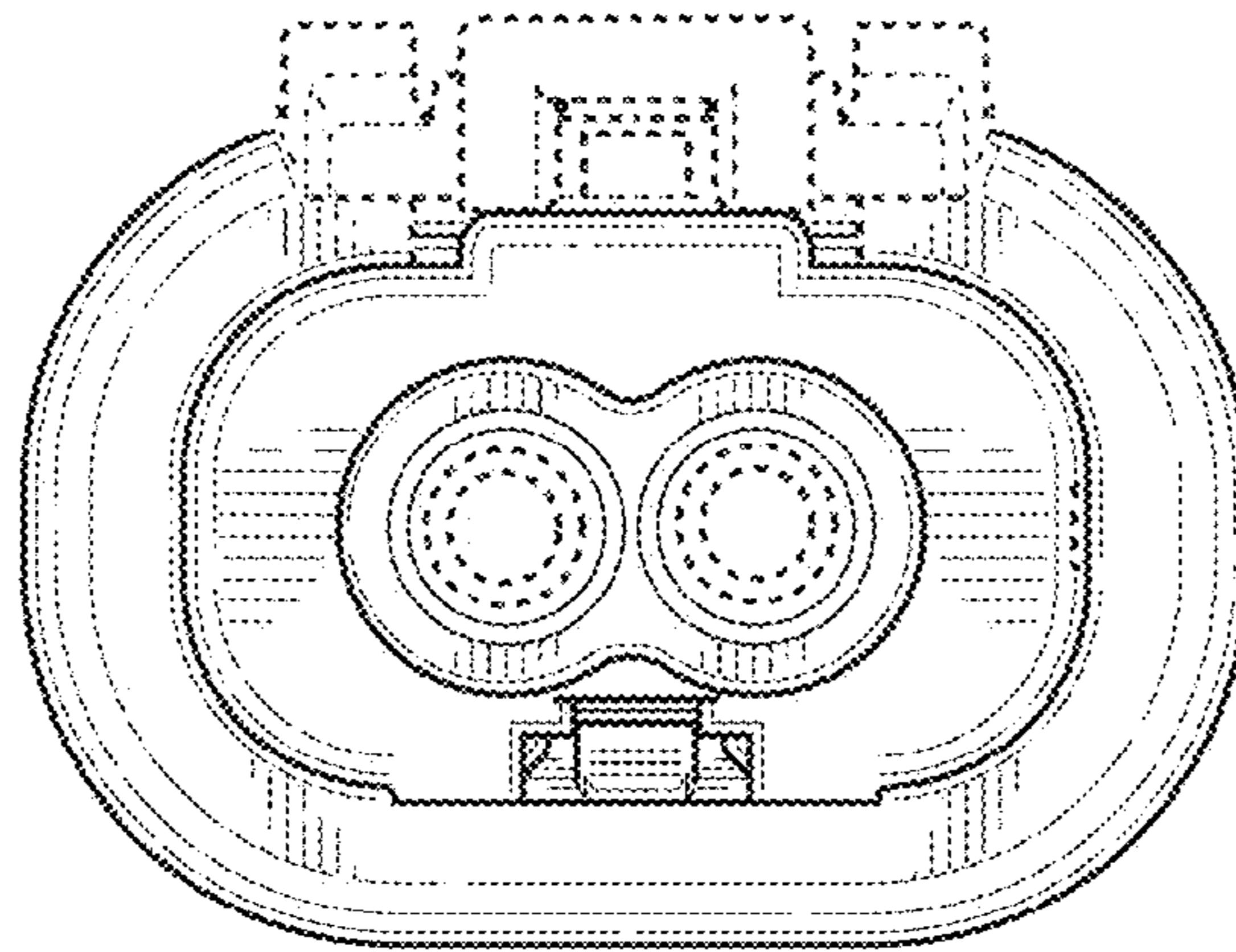


FIG. 7

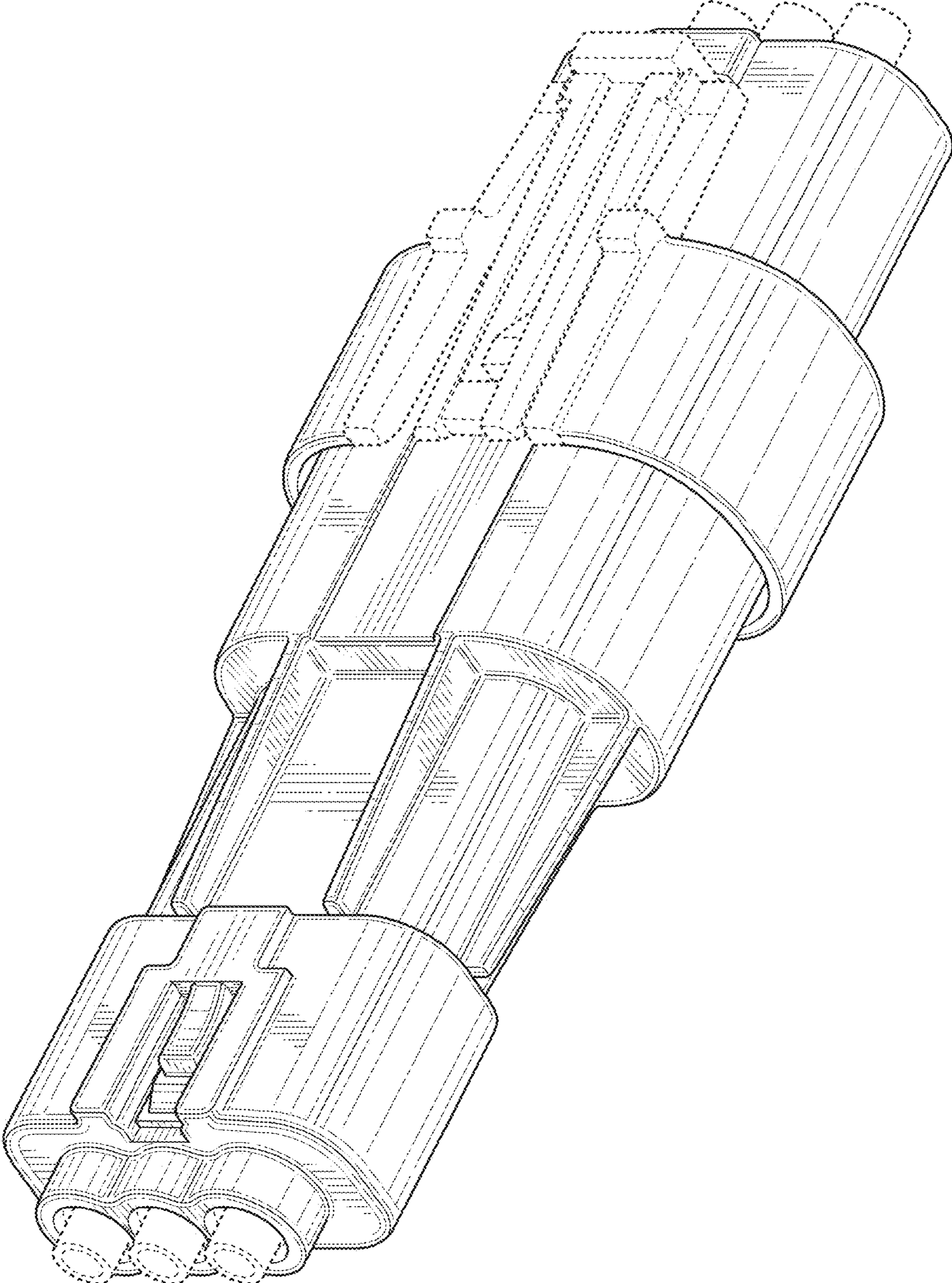


FIG. 8

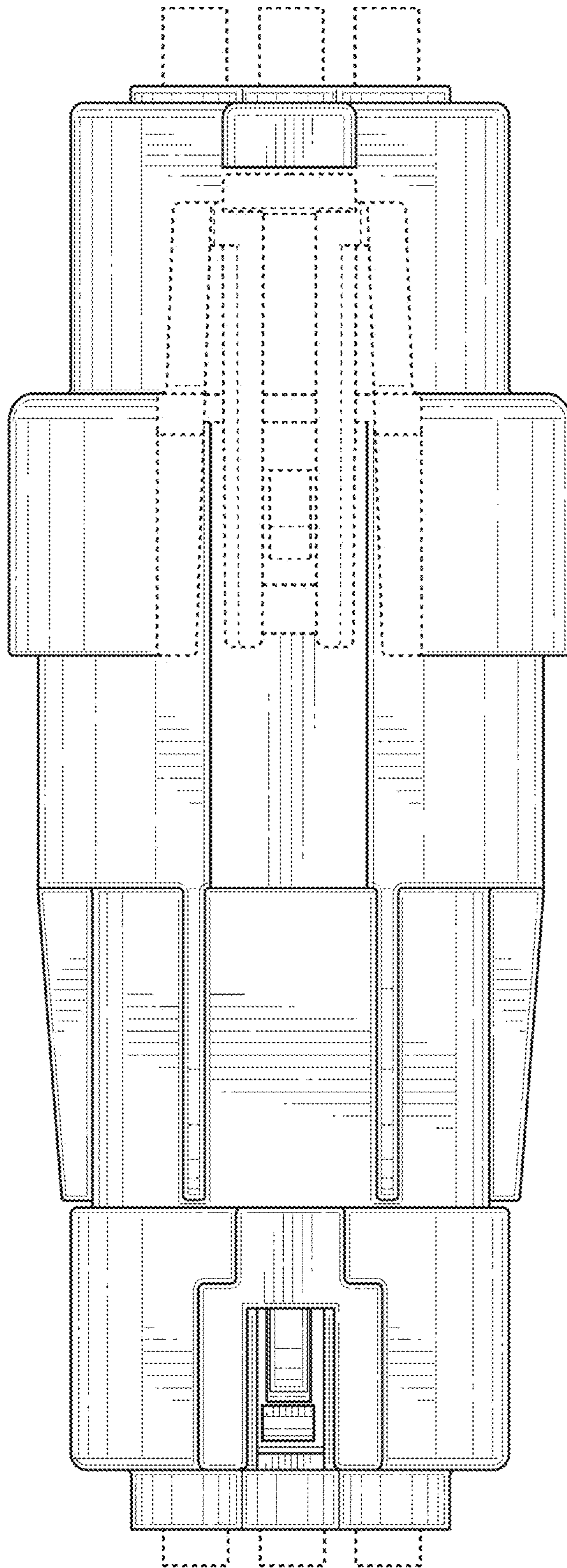


FIG. 9

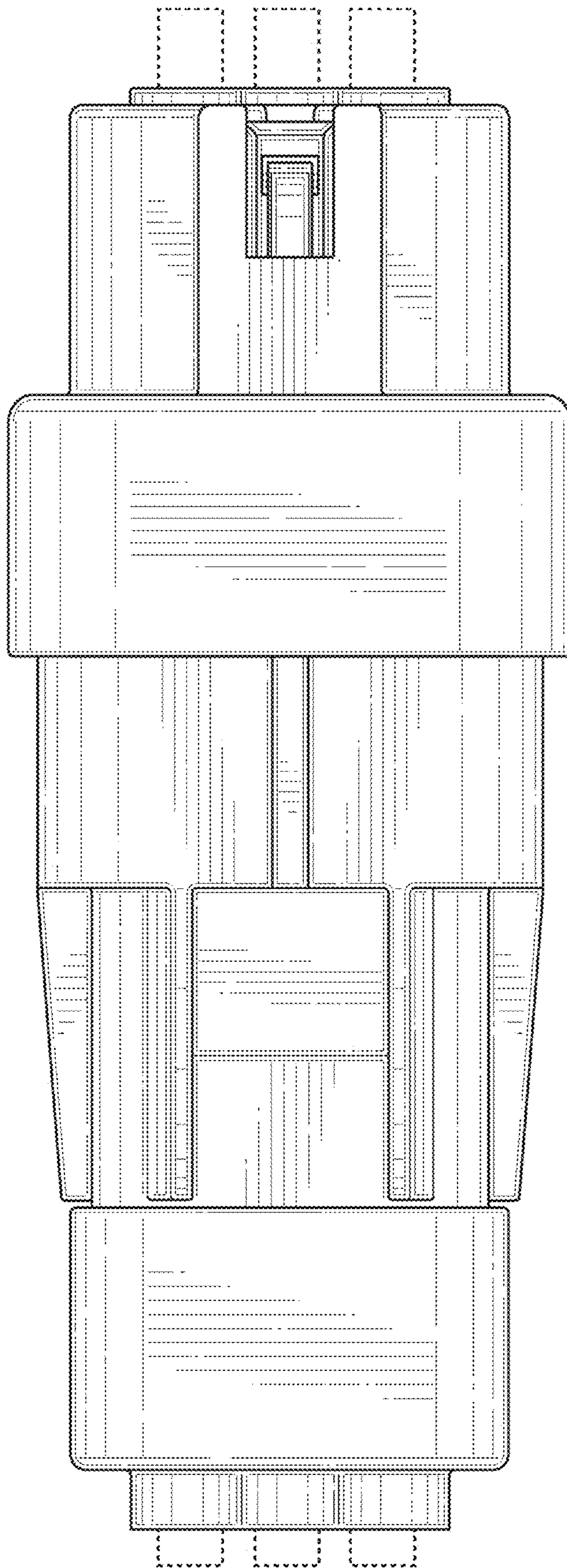


FIG. 10

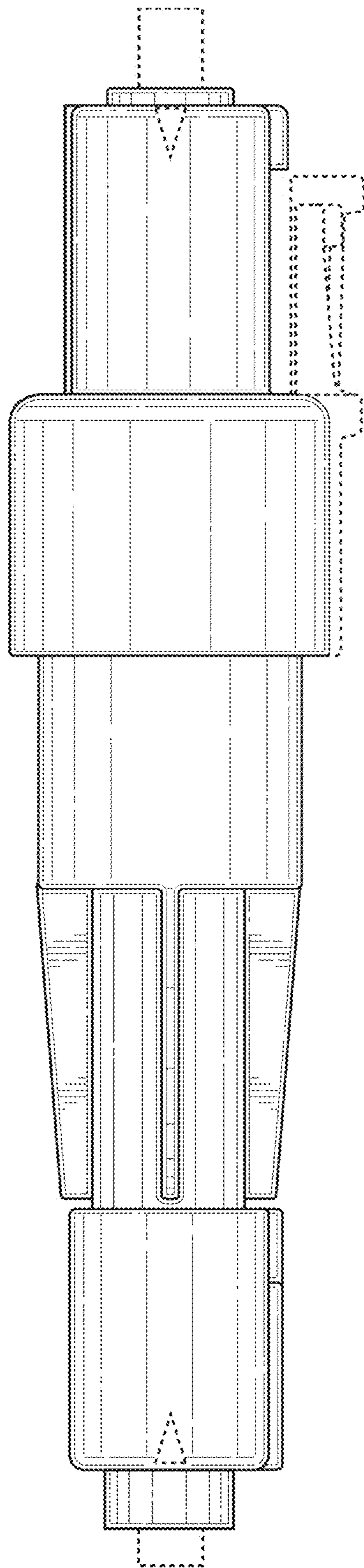


FIG. 11

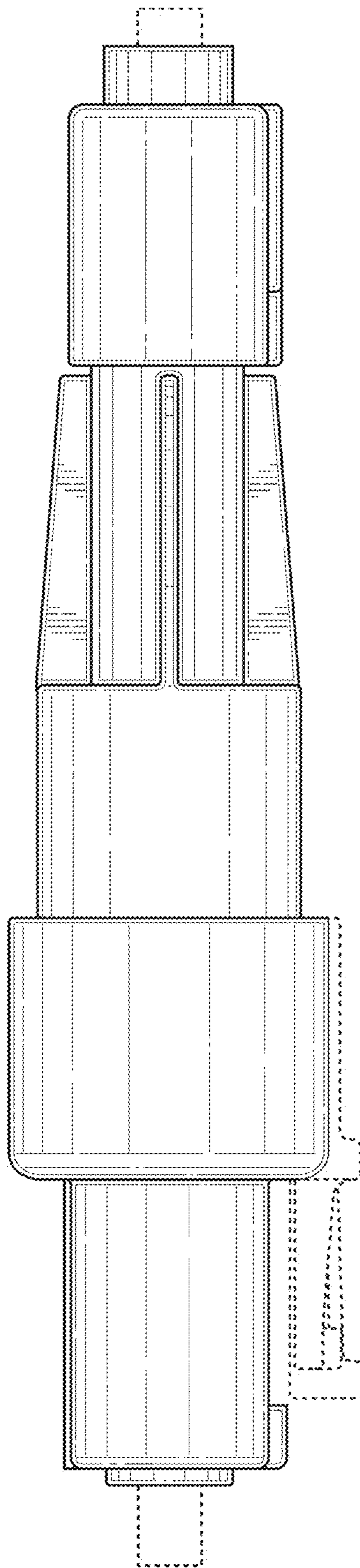


FIG. 12

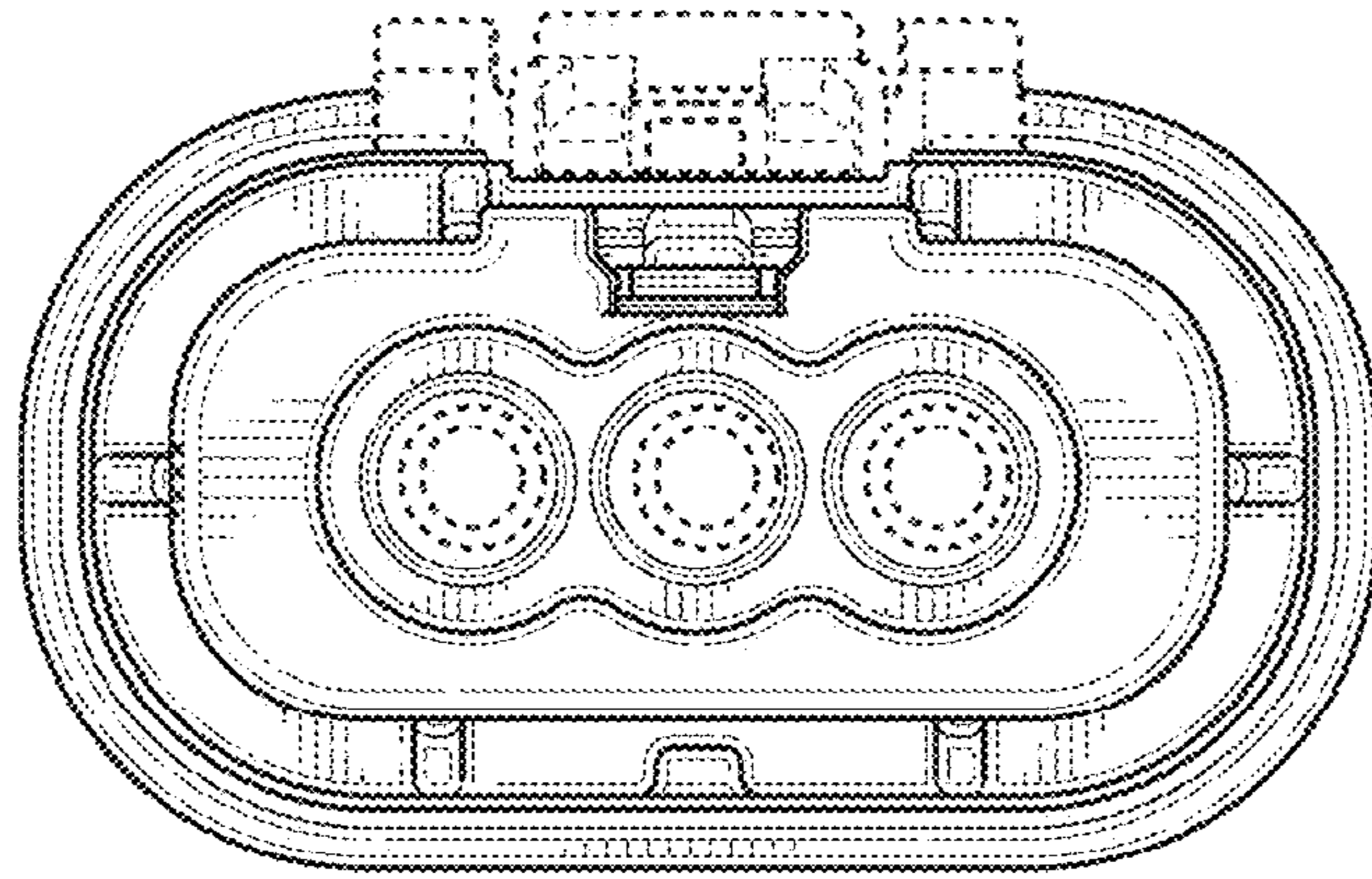


FIG. 13

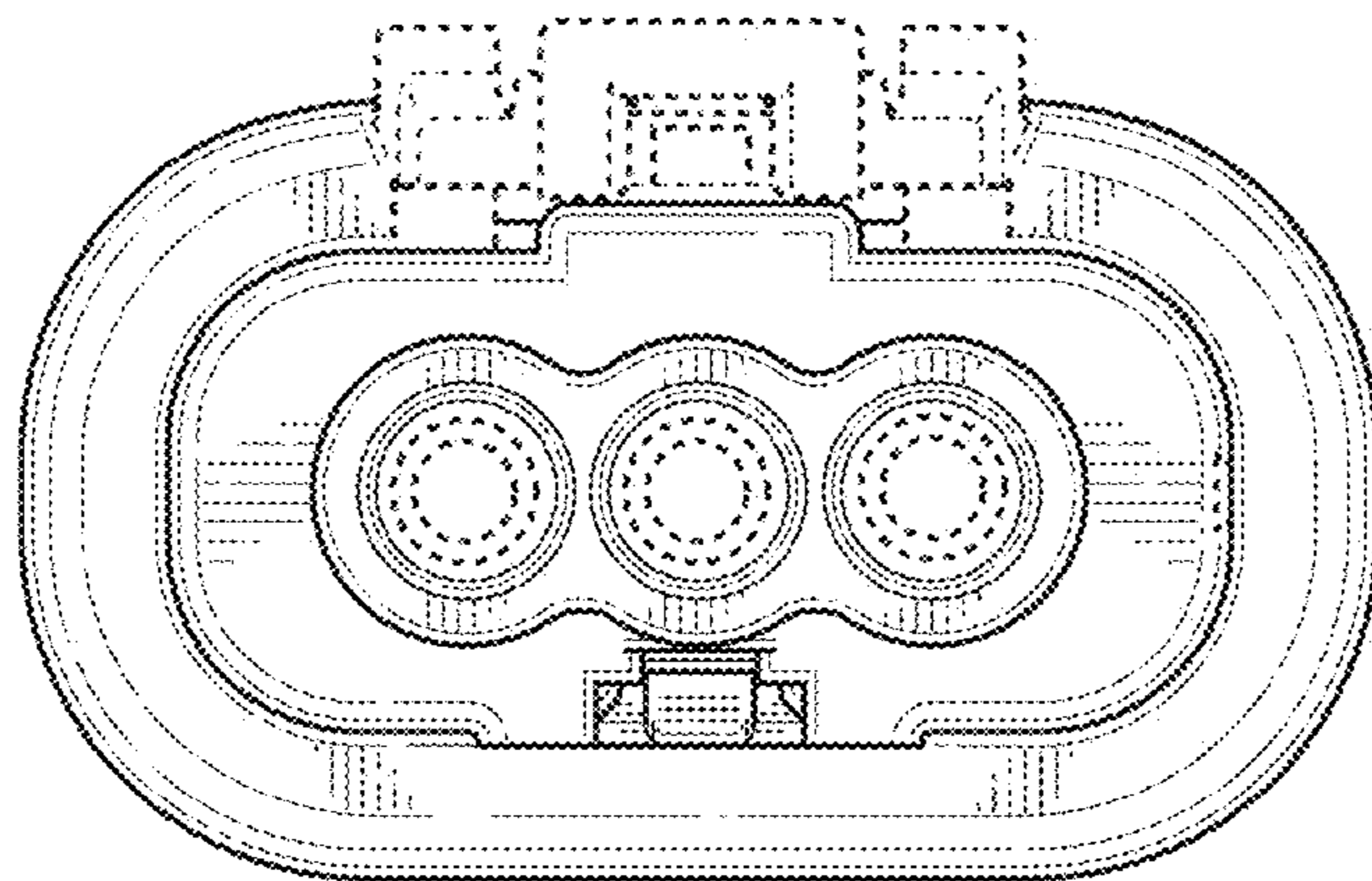


FIG. 14

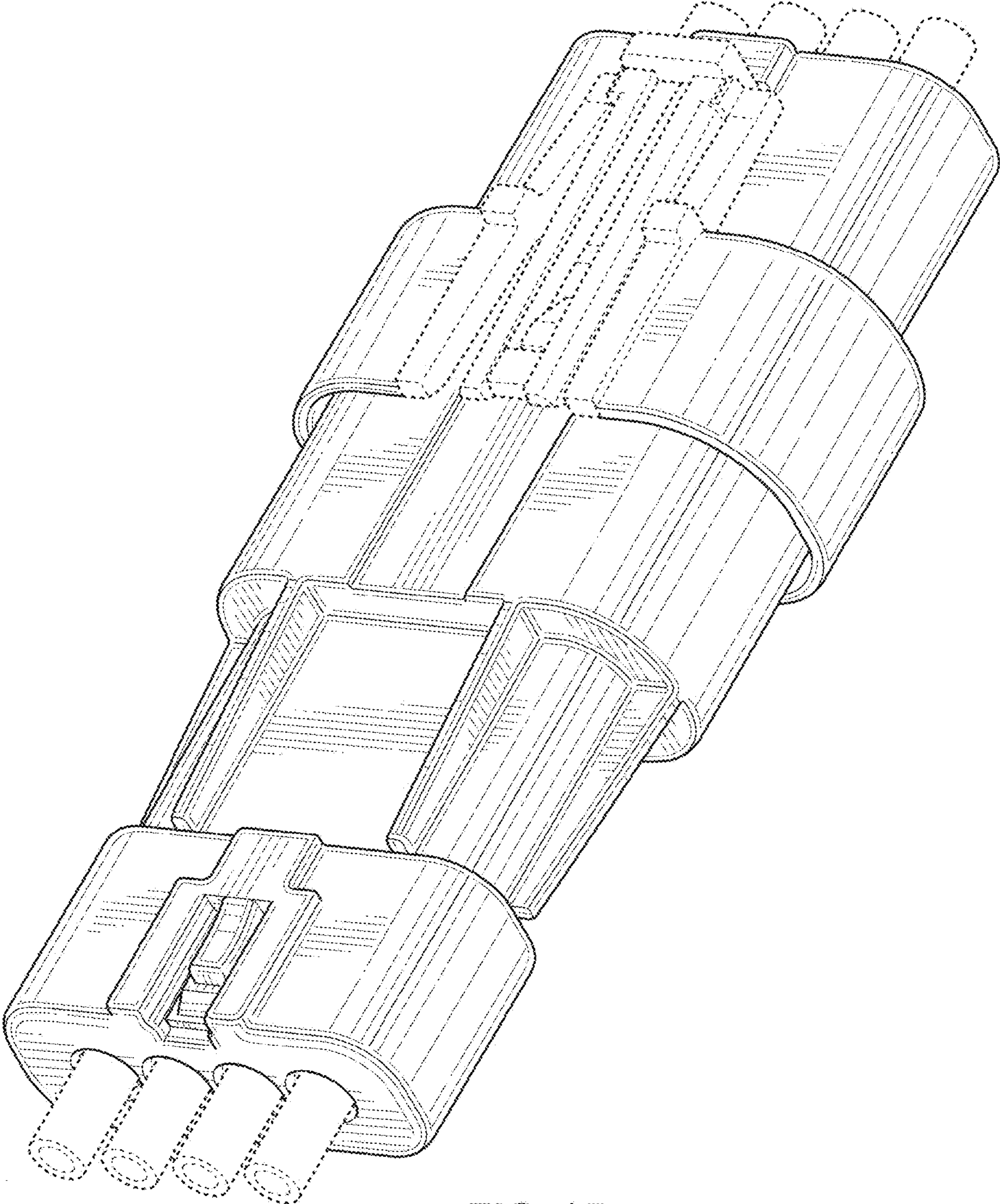


FIG. 15

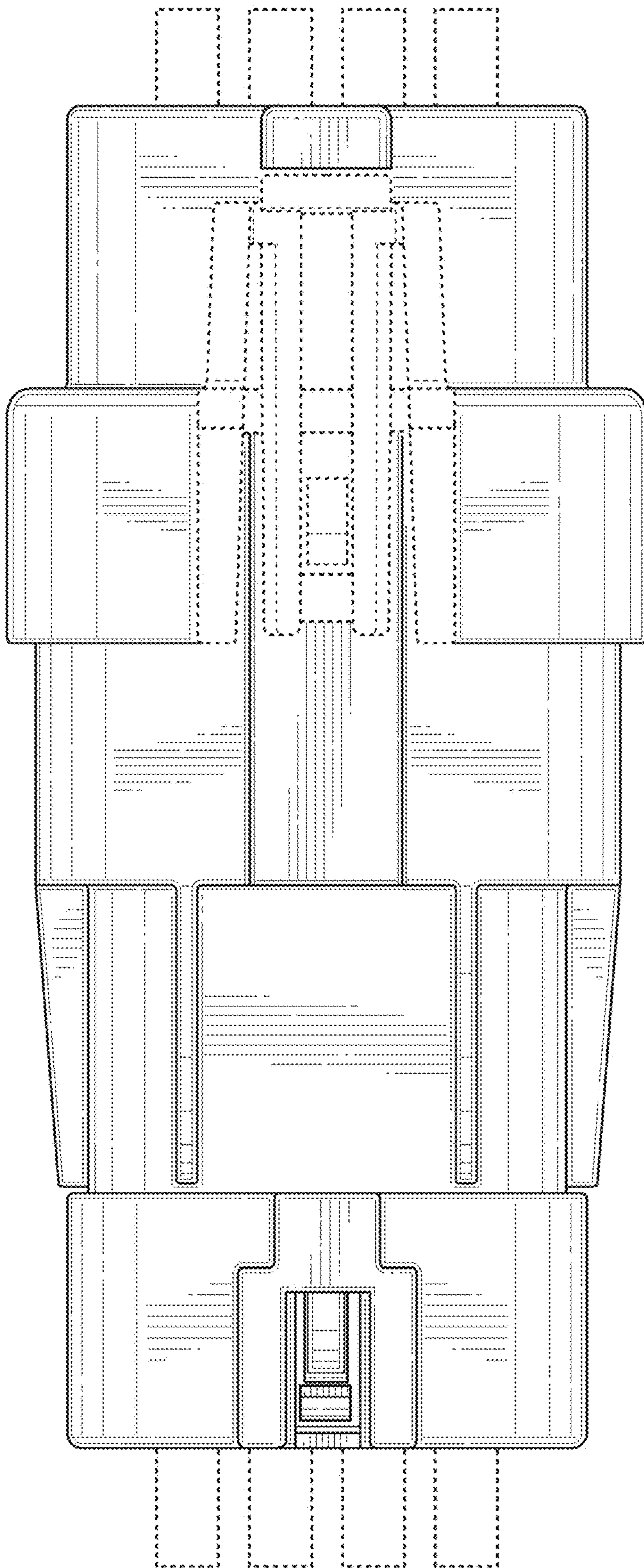


FIG. 16

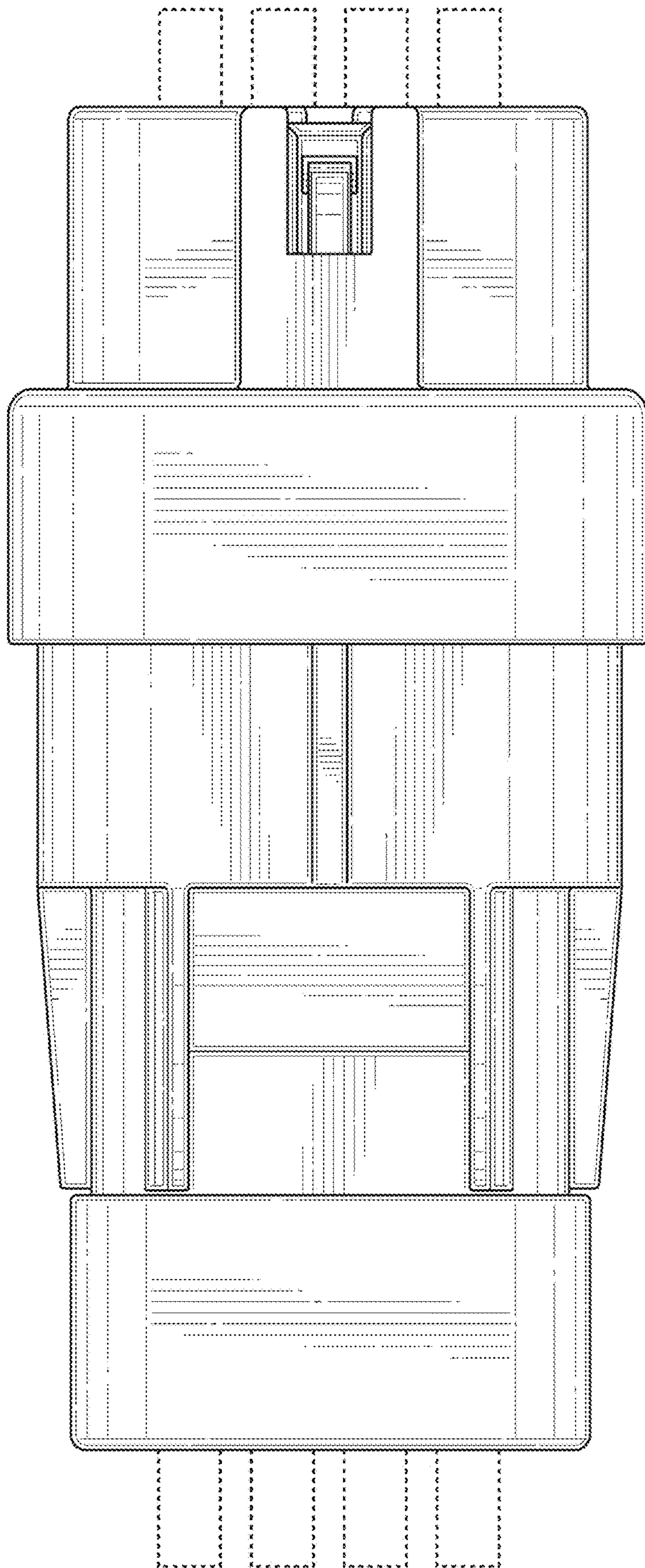


FIG. 17

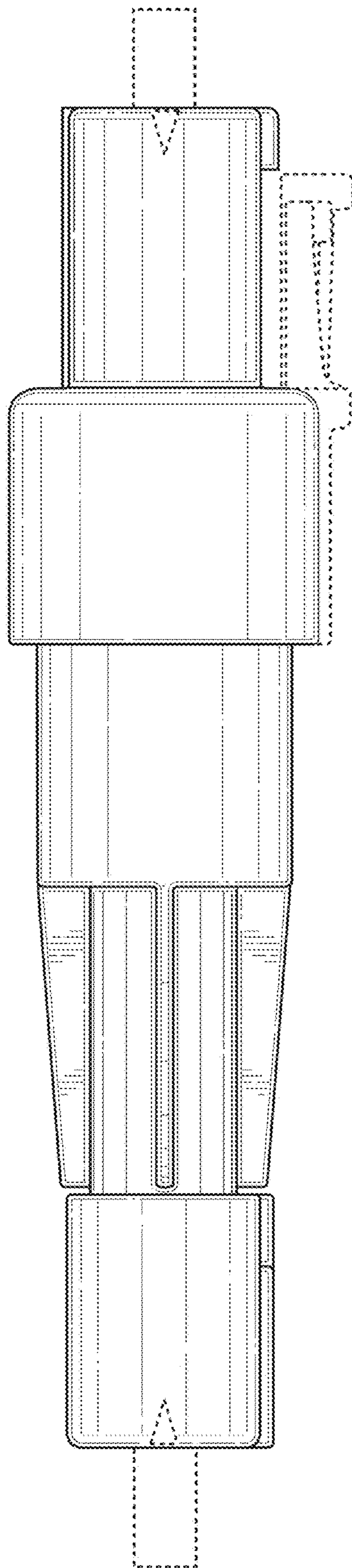


FIG. 18

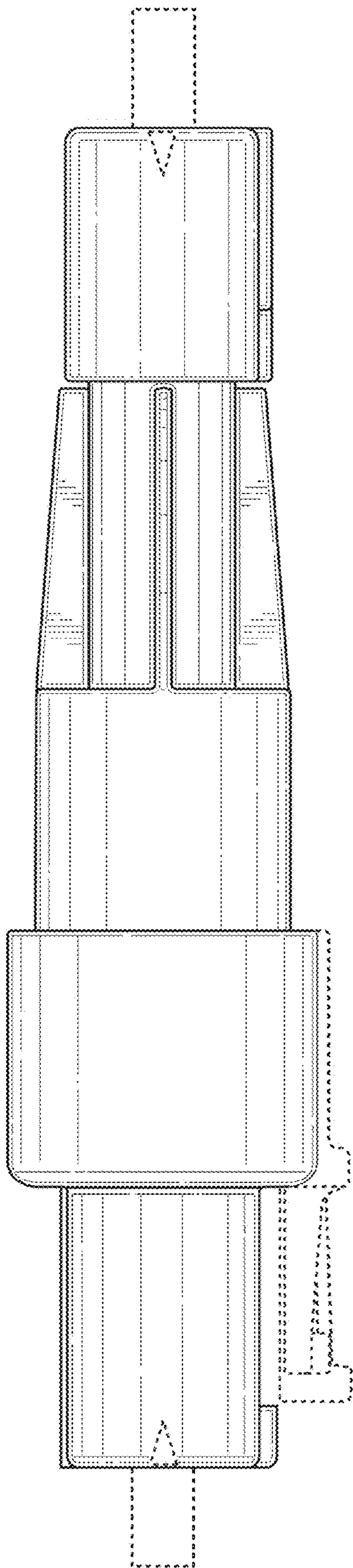


FIG. 19

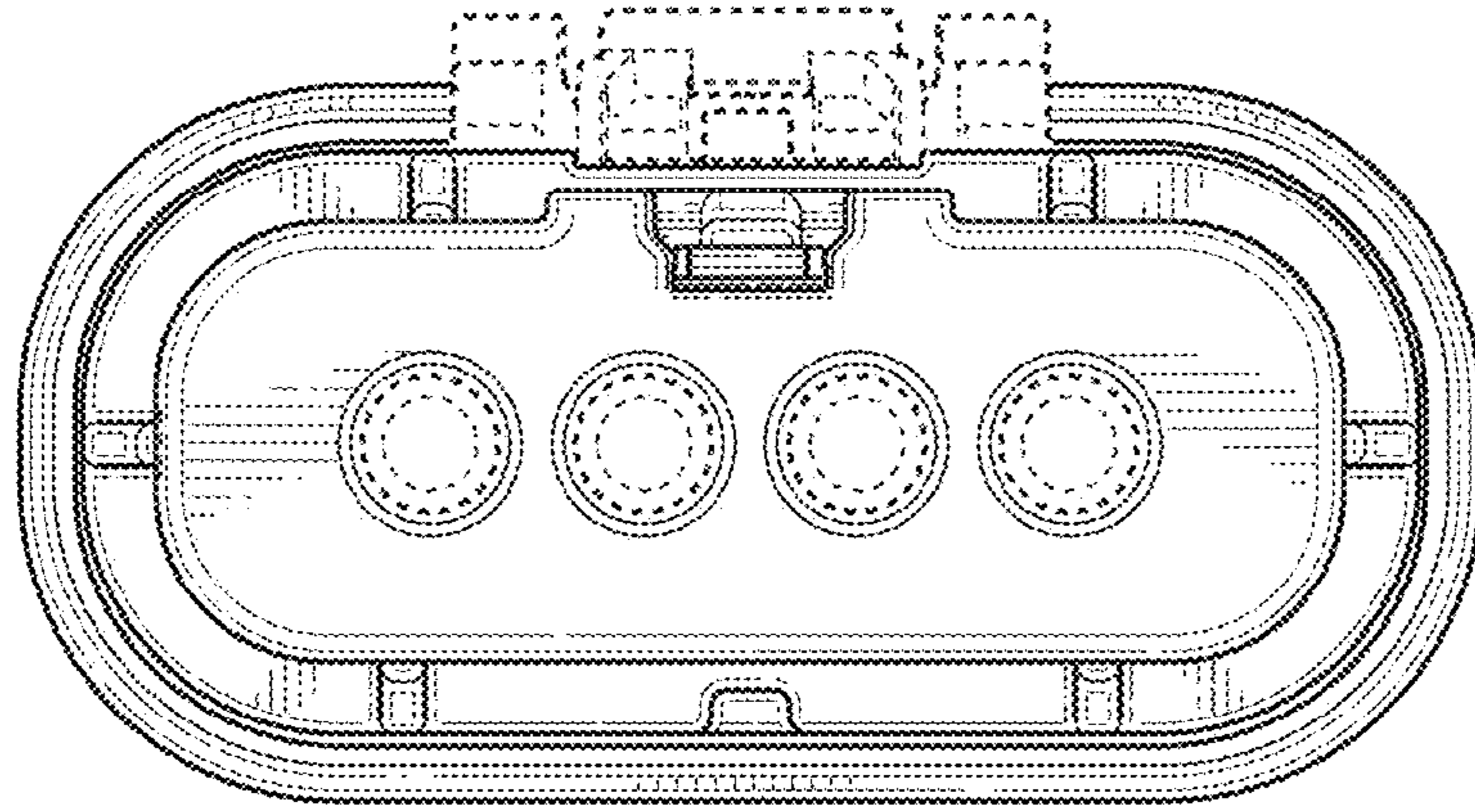


FIG. 20

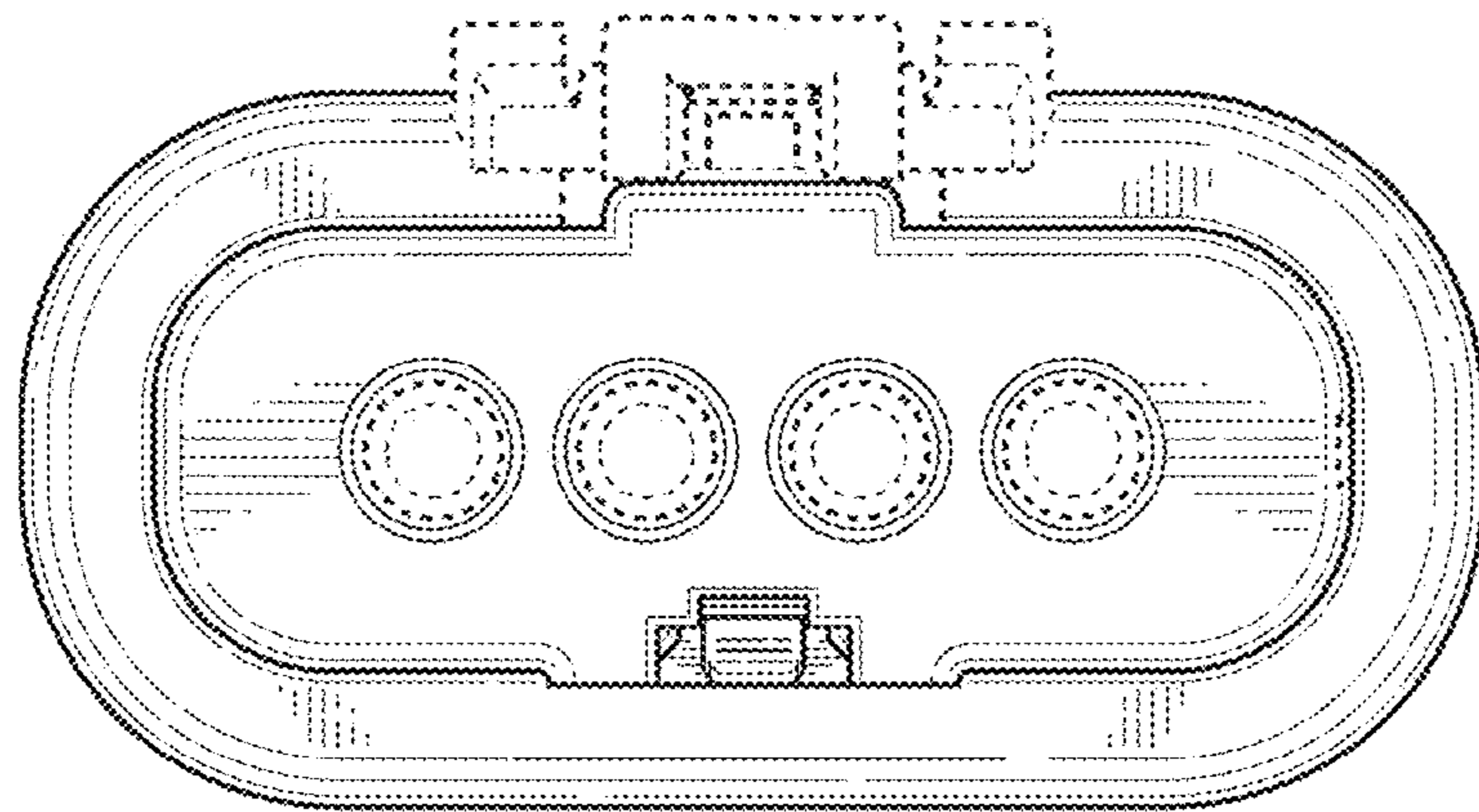


FIG. 21

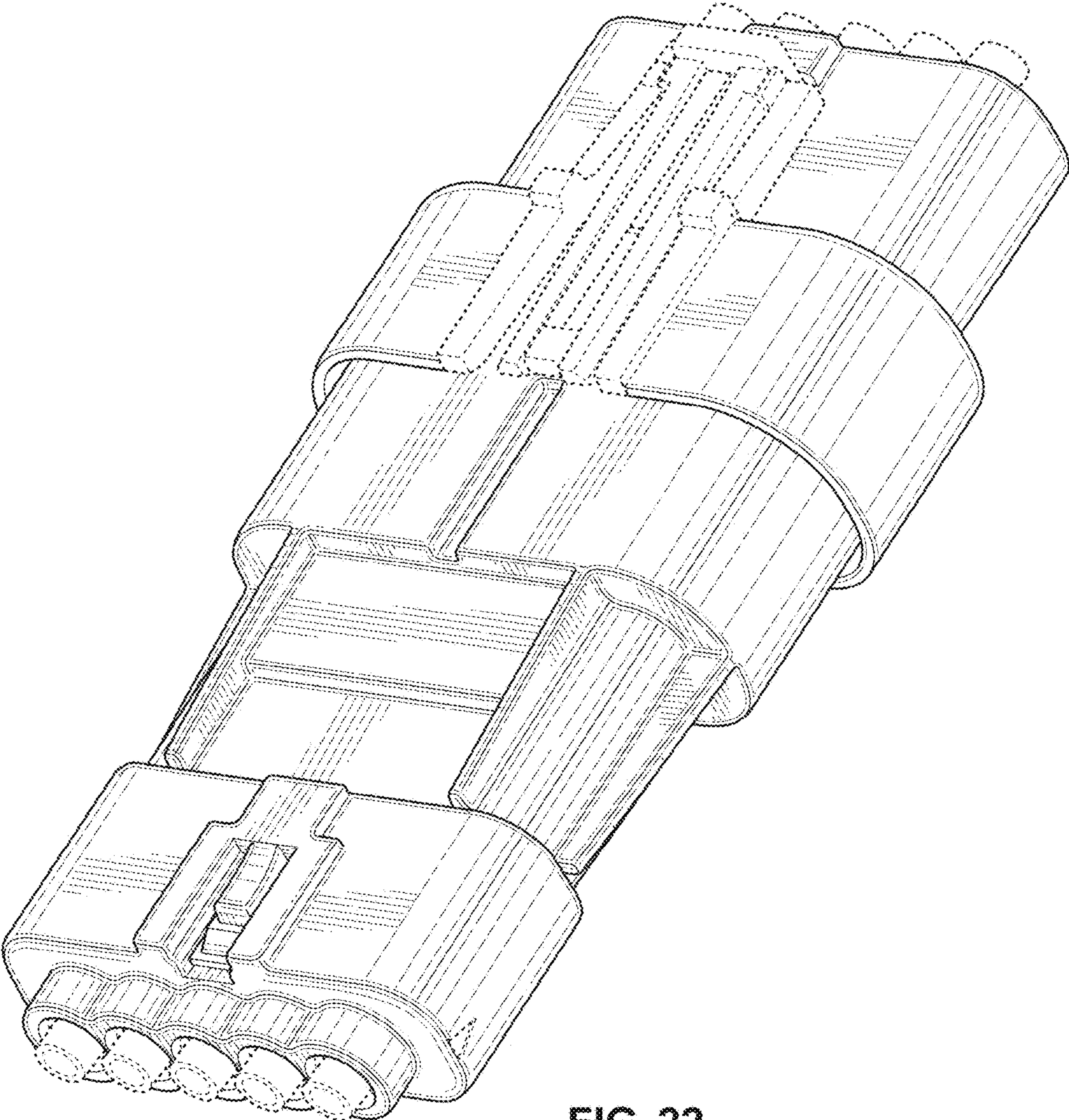


FIG. 22

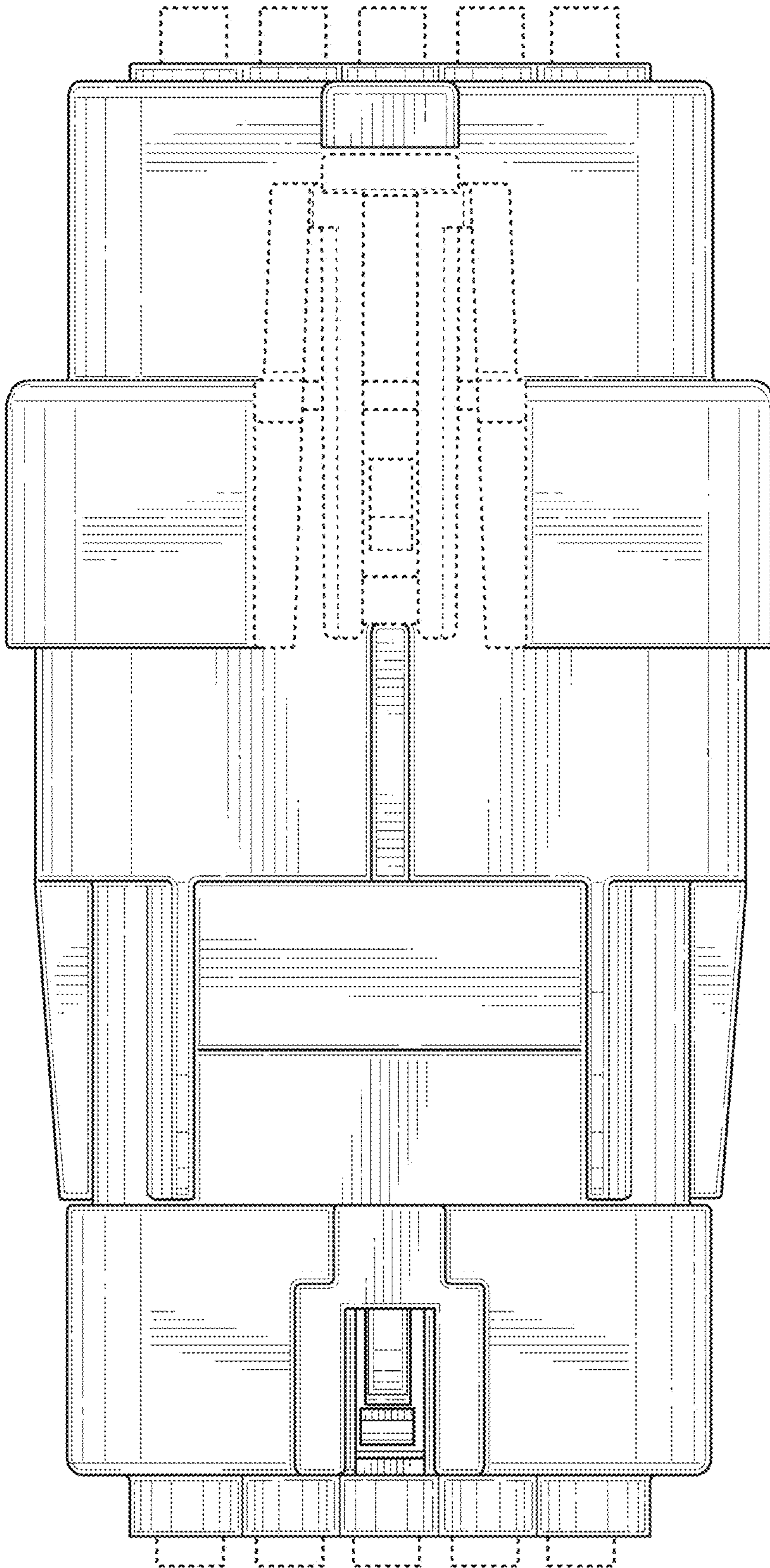


FIG. 23

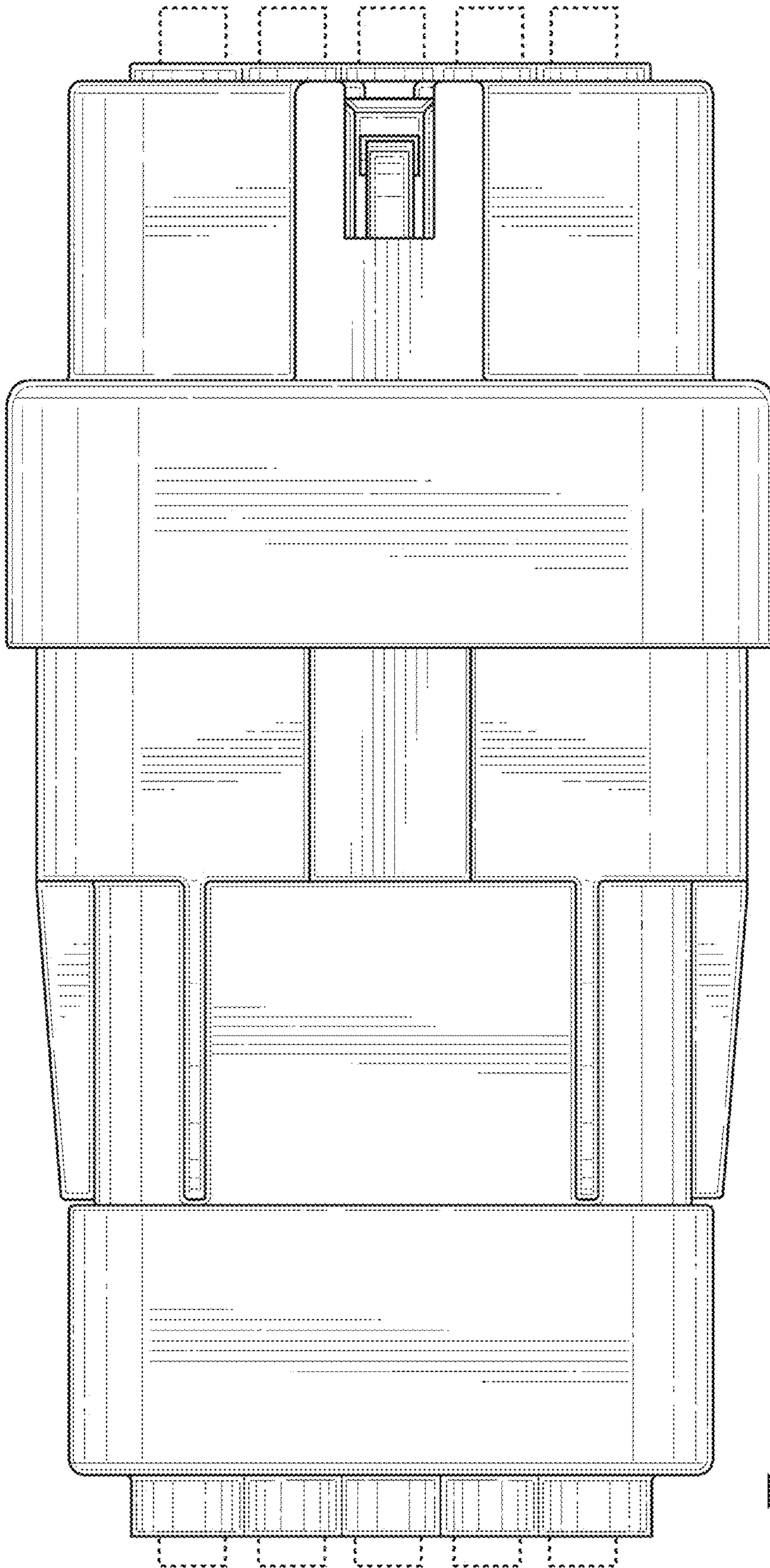


FIG. 24

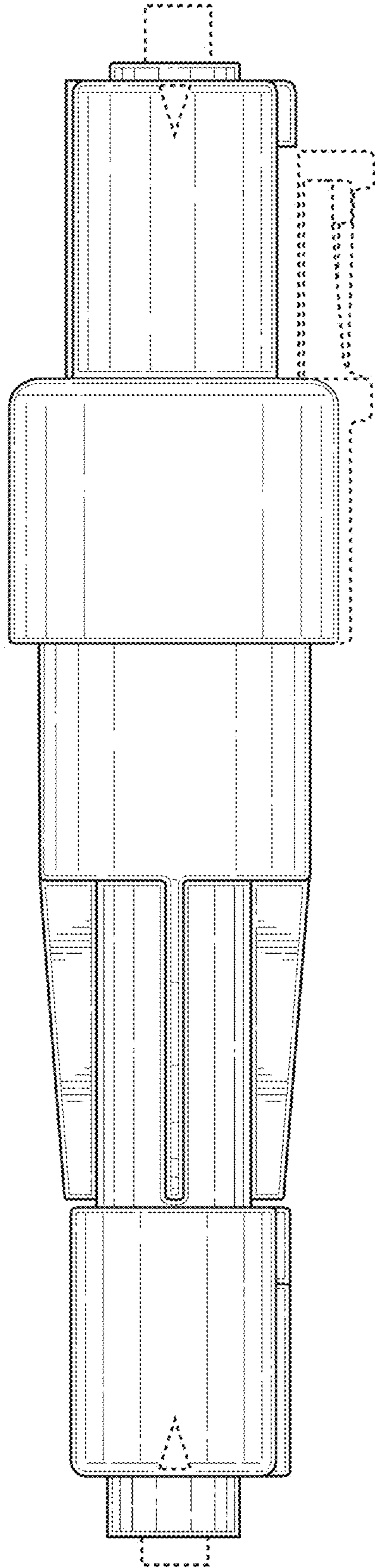


FIG. 25

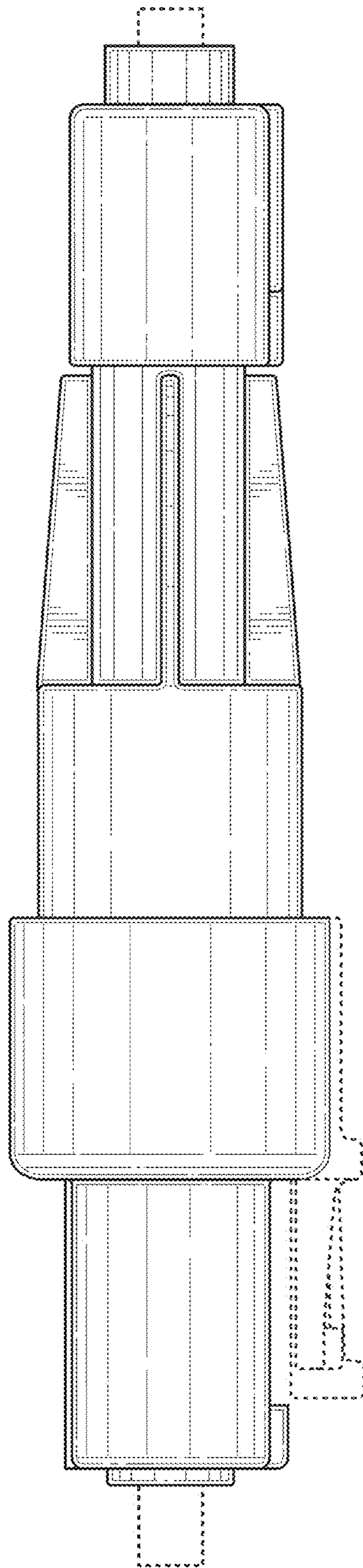


FIG. 26

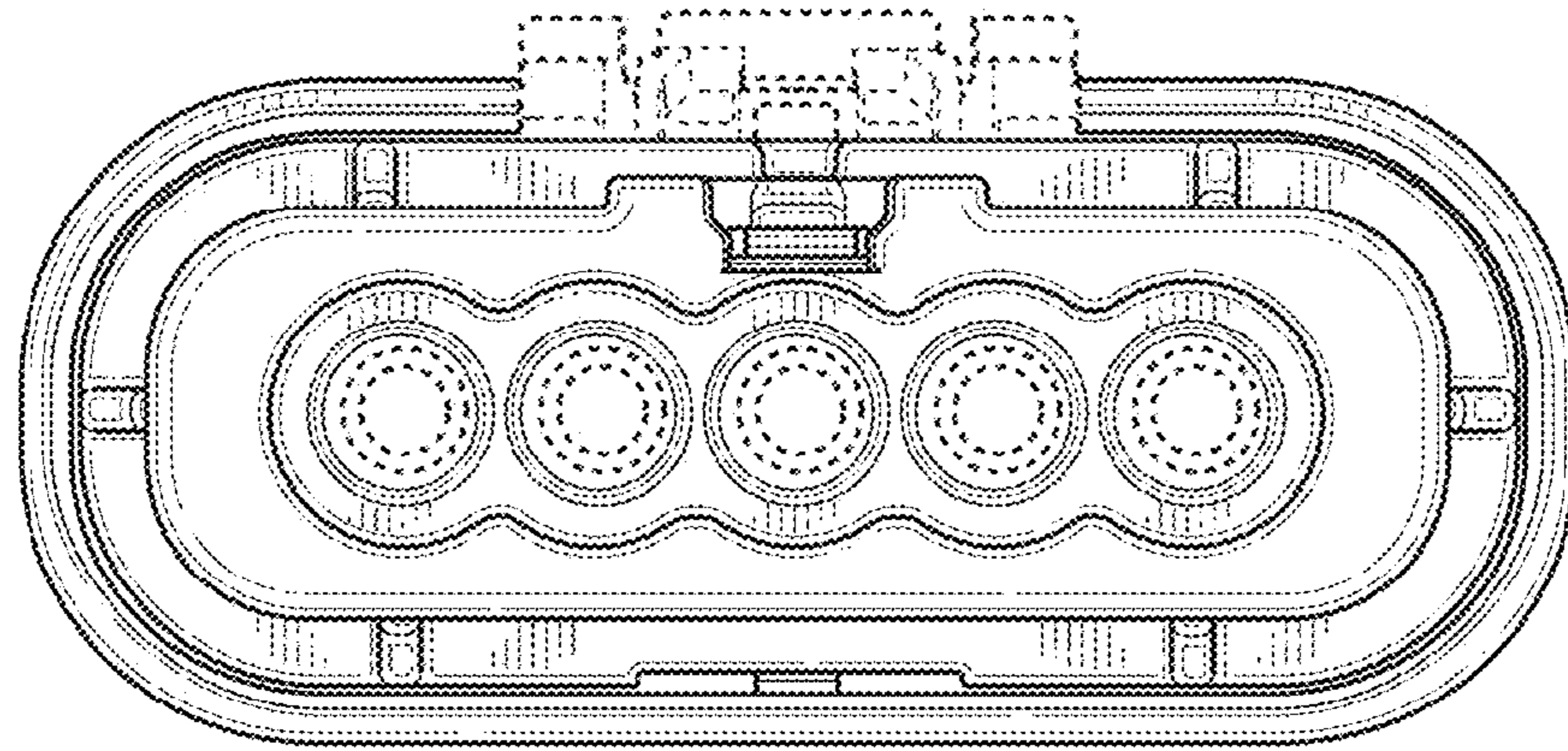


FIG. 27

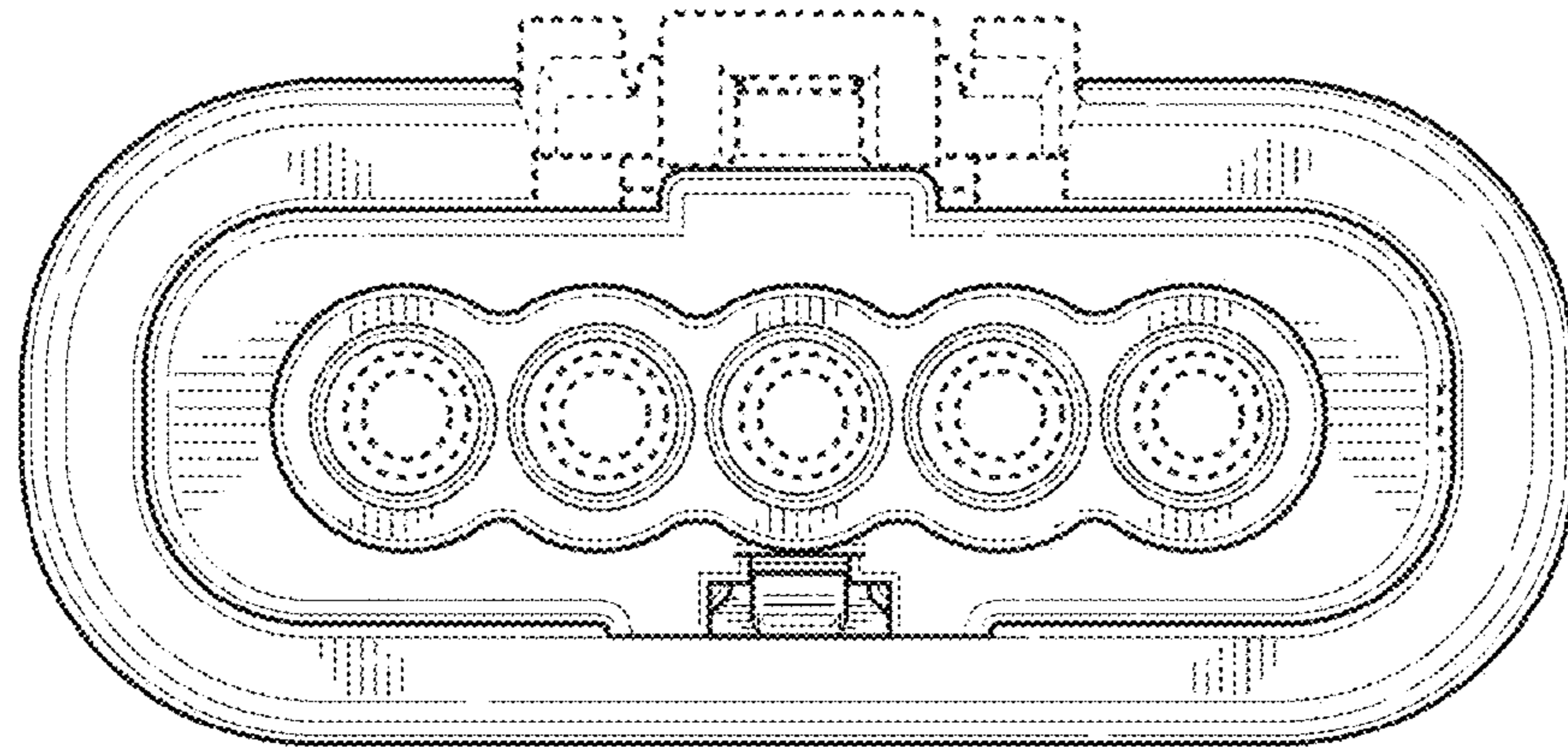


FIG. 28