



US00D906975S

(12) **United States Design Patent** (10) **Patent No.:** **US D906,975 S**  
**Thyagaraj et al.** (45) **Date of Patent:** **\*\* Jan. 5, 2021**

(54) **CONNECTOR PLUG AND RECEPTACLE PAIR**

(71) Applicant: **Molex, LLC**, Lisle, IL (US)

(72) Inventors: **Harsha Thyagaraj**, Bangalore (IN);  
**Pierre Perez**, Aurora, IL (US)

(73) Assignee: **Molex, LLC**, Lisle, IL (US)

(\*\*) Term: **15 Years**

(21) Appl. No.: **29/679,017**

(22) Filed: **Jan. 31, 2019**

(51) **LOC (13) Cl.** ..... **13-03**

(52) **U.S. Cl.**  
USPC ..... **D13/133; D13/147**

(58) **Field of Classification Search**  
USPC ..... **D13/133, 146, 147, 153, 154, 155**  
(Continued)

(56) **References Cited**

**U.S. PATENT DOCUMENTS**

5,169,336 A \* 12/1992 Taguchi ..... H01R 13/64  
439/354

D425,869 S \* 5/2000 Yokomizo ..... D13/147  
(Continued)

**FOREIGN PATENT DOCUMENTS**

WO D207799-008 \* 5/2020  
WO D207799-013 \* 5/2020

*Primary Examiner* — Karen E Kearney

*Assistant Examiner* — Michael Chong

(74) *Attorney, Agent, or Firm* — Banner & Witcoff, Ltd.

(57) **CLAIM**

The ornamental design for a connector plug and receptacle pair, as shown and described.

**DESCRIPTION**

FIG. 1 is a front perspective view of a connector plug showing our new design;

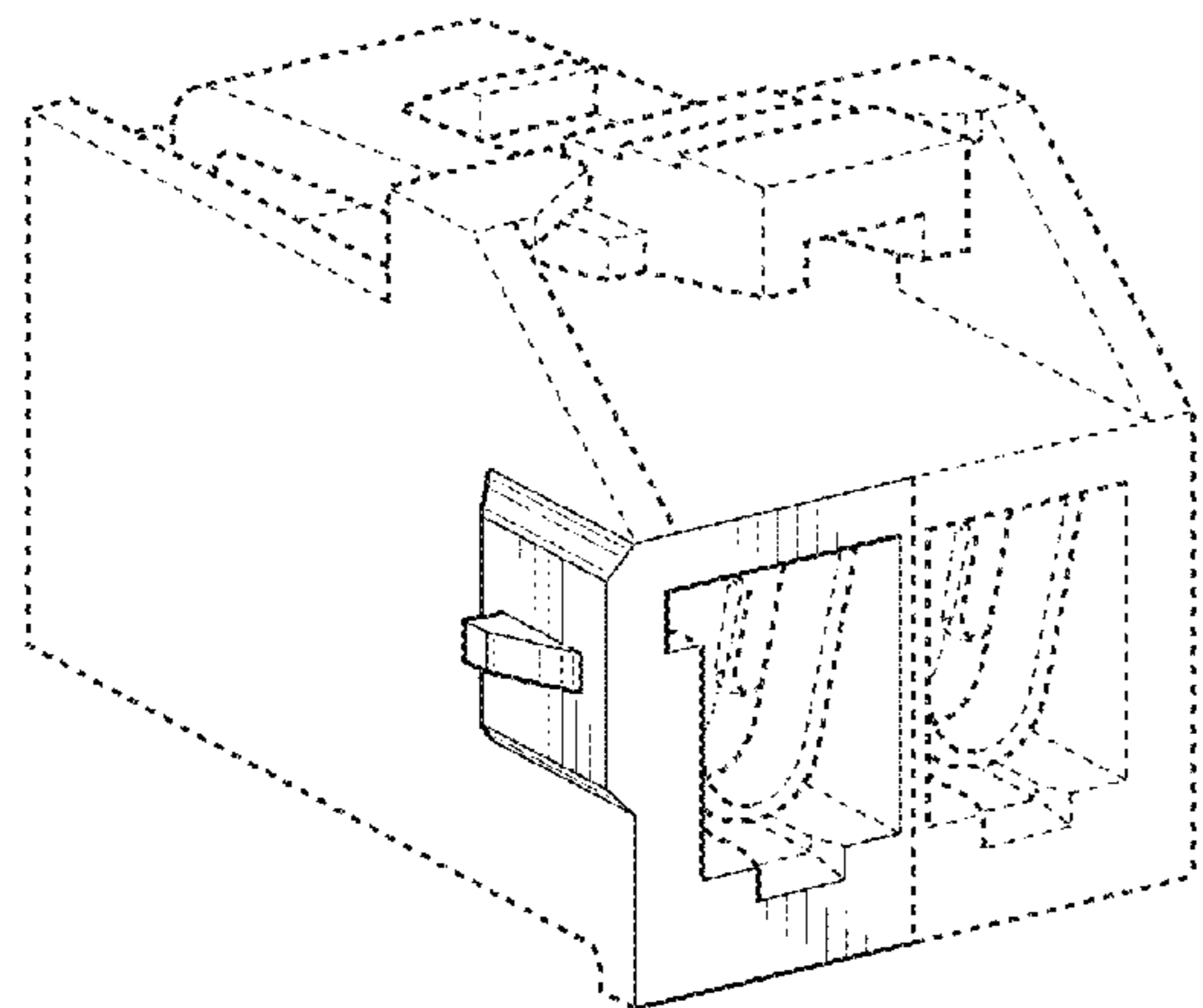


FIG. 2 is a front view thereof;

FIG. 3 is a front perspective view of a connector receptacle showing our new design;

FIG. 4 is a front view thereof;

FIG. 5 is a front perspective view of the connector plug of FIGS. 1-2 and the receptacle pair of FIGS. 3-4, shown together as a pair;

FIG. 6 is a front perspective view of an alternate embodiment of a connector plug showing our new design;

FIG. 7 is a front view thereof;

FIG. 8 is a front perspective view of an alternate embodiment of a connector receptacle showing our new design;

FIG. 9 is a front view thereof;

FIG. 10 is a front perspective view of the connector plug of FIGS. 6-7 and the receptacle pair of FIGS. 8-9, shown together as a pair;

FIG. 11 is a front perspective view of an alternate embodiment of a connector plug showing our new design;

FIG. 12 is a front view thereof;

FIG. 13 is a front perspective view of an alternate embodiment of a connector receptacle showing our new design;

FIG. 14 is a front view thereof;

FIG. 15 is a front perspective view of the connector plug of FIGS. 11-12 and the receptacle pair of FIGS. 13-14, shown together as a pair;

FIG. 16 is a front perspective view of an alternate embodiment of a connector plug showing our new design;

FIG. 17 is a front view thereof;

FIG. 18 is a front perspective view of an alternate embodiment of a connector receptacle showing our new design;

FIG. 19 is a front view thereof;

FIG. 20 is a front perspective view of the connector plug of FIGS. 16-17 and the receptacle pair of FIGS. 18-19, shown together as a pair;

FIG. 21 is a front perspective view of an alternate embodiment of a connector plug showing our new design;

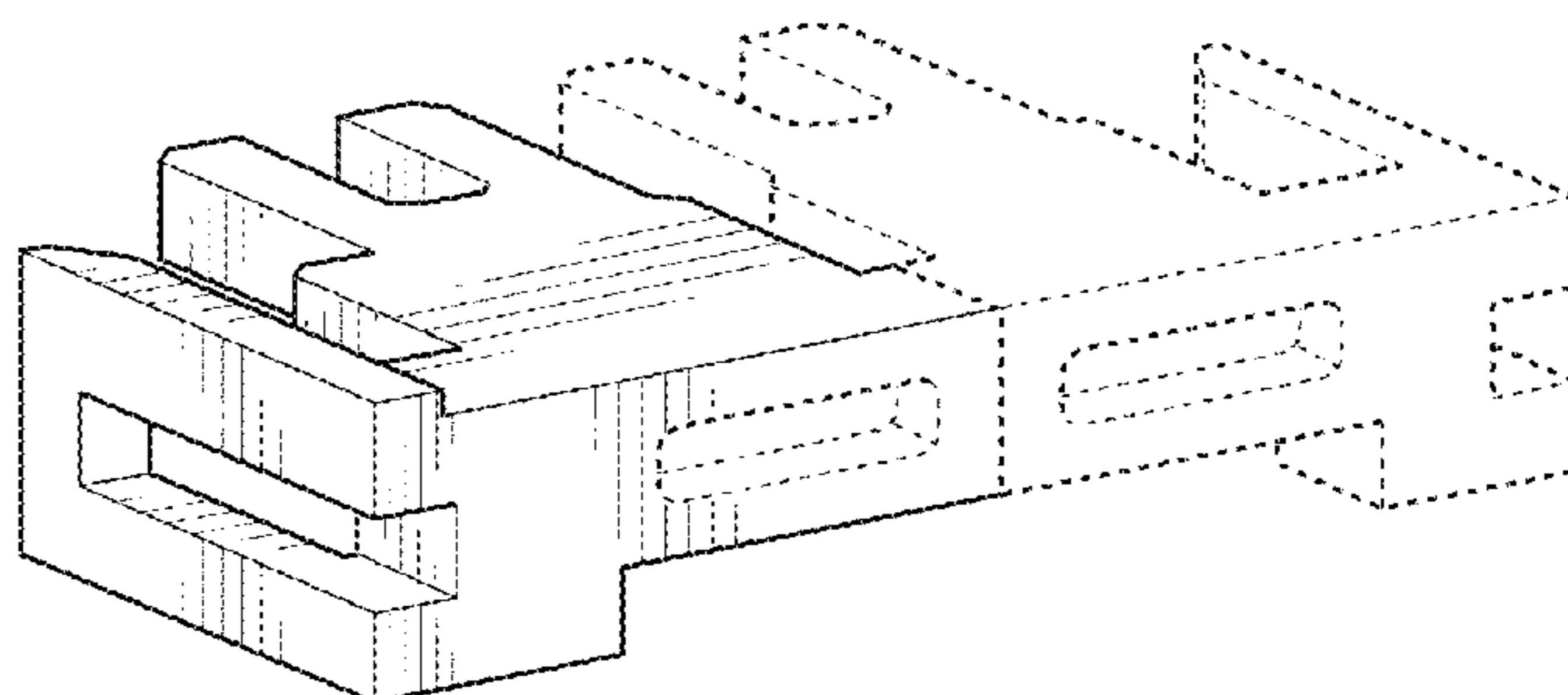
FIG. 22 is a front view thereof;

FIG. 23 is a front perspective view of an alternate embodiment of a connector receptacle showing our new design;

FIG. 24 is a front view thereof; and,

FIG. 25 is a front perspective view of the connector plug of FIGS. 21-22 and the receptacle pair of FIGS. 23-24, shown together as a pair.

(Continued)



The broken lines depicting the remainder of the connector plug and the connector receptacle show features that form no part of the claimed design. The broken lines immediately adjacent to the shading areas represent the bounds of the claimed design and form no part thereof.

**1 Claim, 15 Drawing Sheets**

**(58) Field of Classification Search**

CPC .... H01R 13/02; H01R 13/436; H01R 13/502;  
H01R 13/504; H01R 13/506; H01R  
13/58; H01R 13/627; H01R 13/6315;  
H01R 13/6586

See application file for complete search history.

**(56) References Cited**

U.S. PATENT DOCUMENTS

|            |    |   |         |       |       |              |
|------------|----|---|---------|-------|-------|--------------|
| D454,333   | S  | * | 3/2002  | Ikeda | ..... | D13/133      |
| D454,335   | S  | * | 3/2002  | Okada | ..... | D13/133      |
| D745,461   | S  | * | 12/2015 | Cho   | ..... | D13/146      |
| D748,588   | S  | * | 2/2016  | Endo  | ..... | D13/147      |
| D791,080   | S  | * | 7/2017  | Li    | ..... | D13/133      |
| D791,083   | S  | * | 7/2017  | Li    | ..... | D13/147      |
| D791,705   | S  | * | 7/2017  | Li    | ..... | D13/147      |
| D803,162   | S  | * | 11/2017 | Li    | ..... | D13/147      |
| 10,461,458 | B2 | * | 10/2019 | Kim   | ..... | H01R 13/4362 |

\* cited by examiner

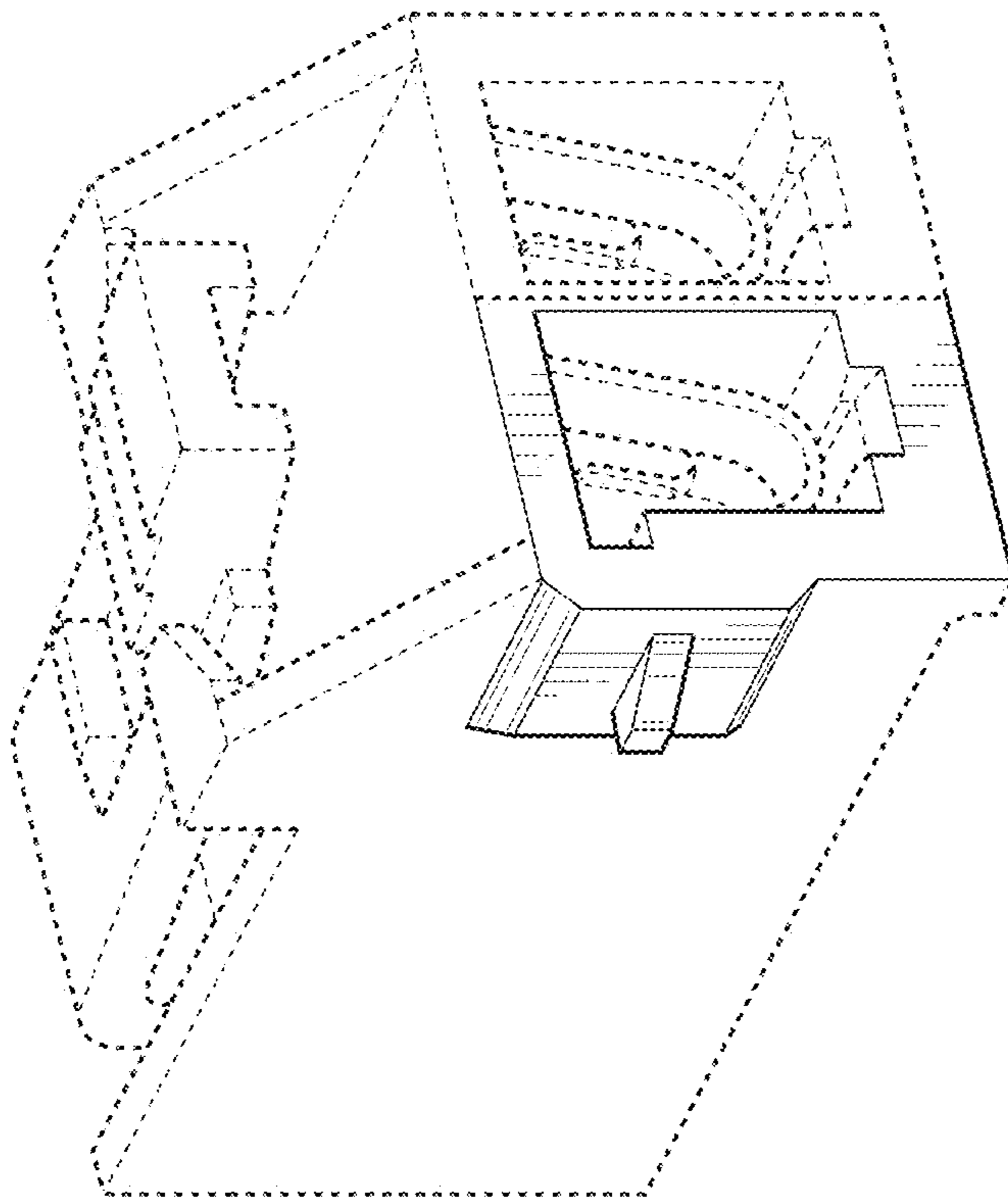


FIG. 1

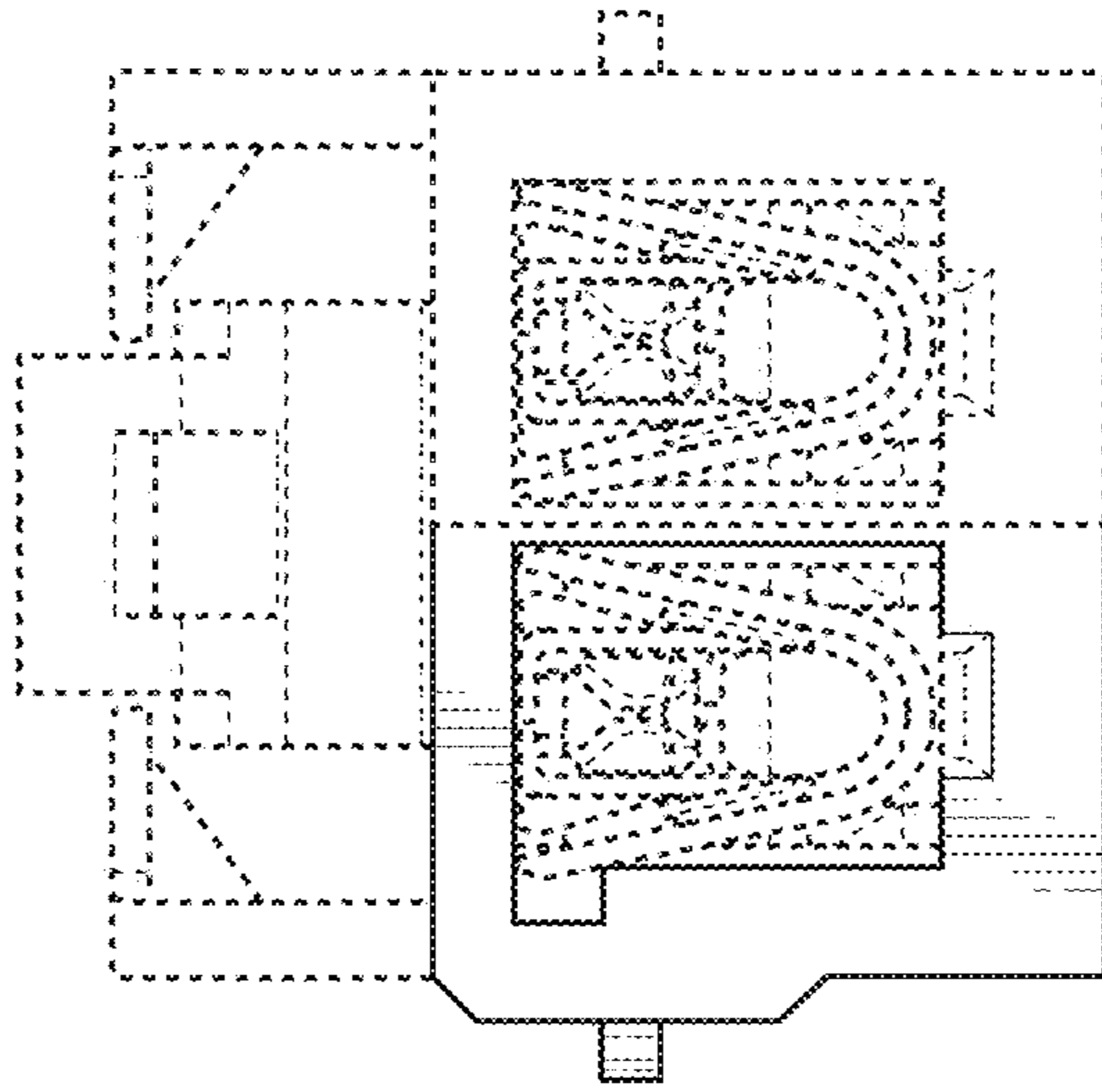


FIG. 2

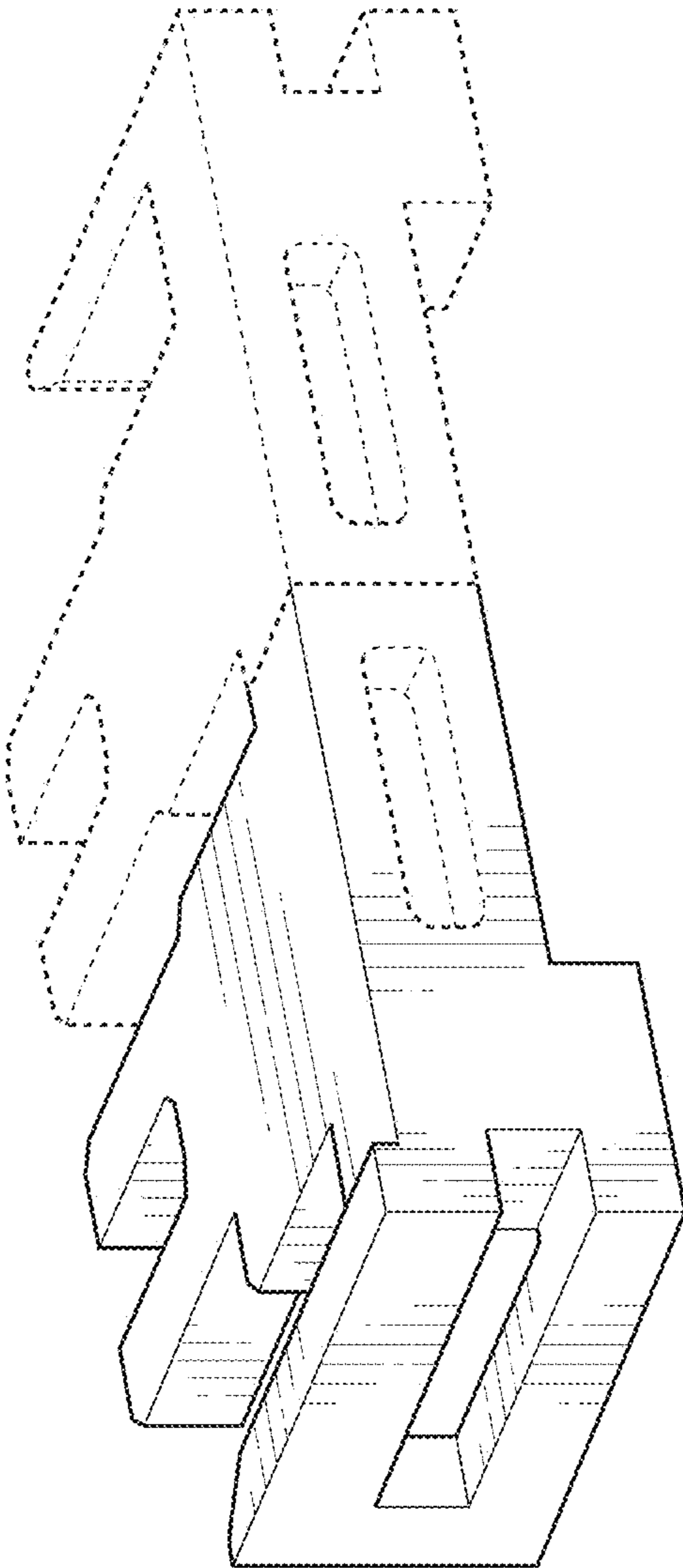


FIG. 3

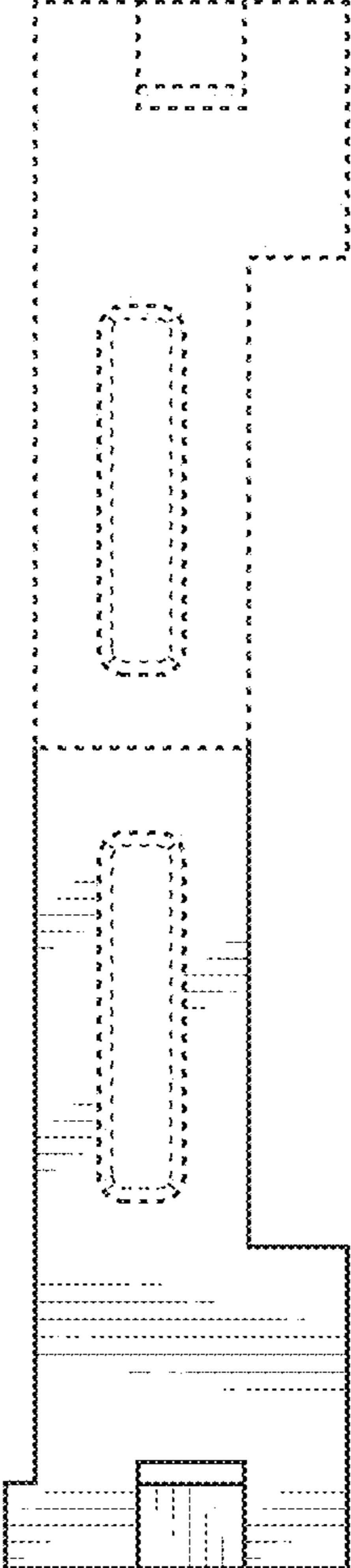


FIG. 4

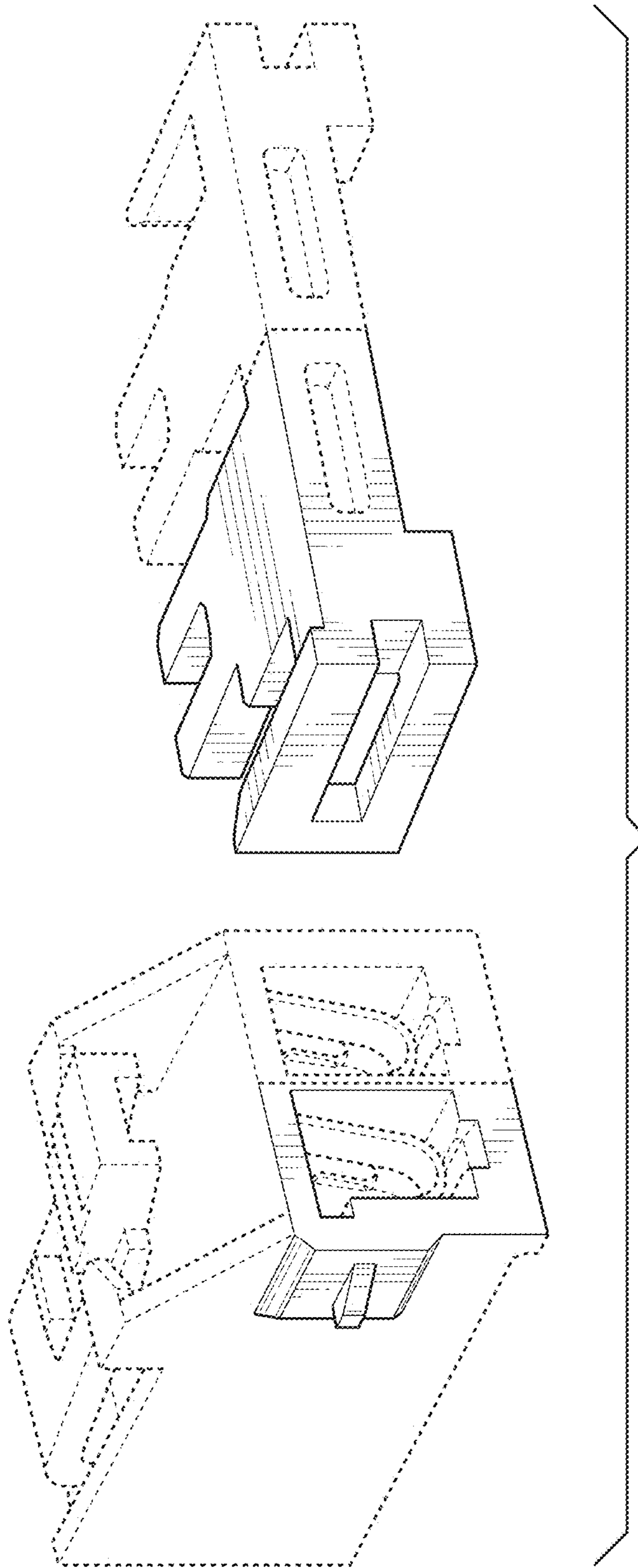


FIG. 5

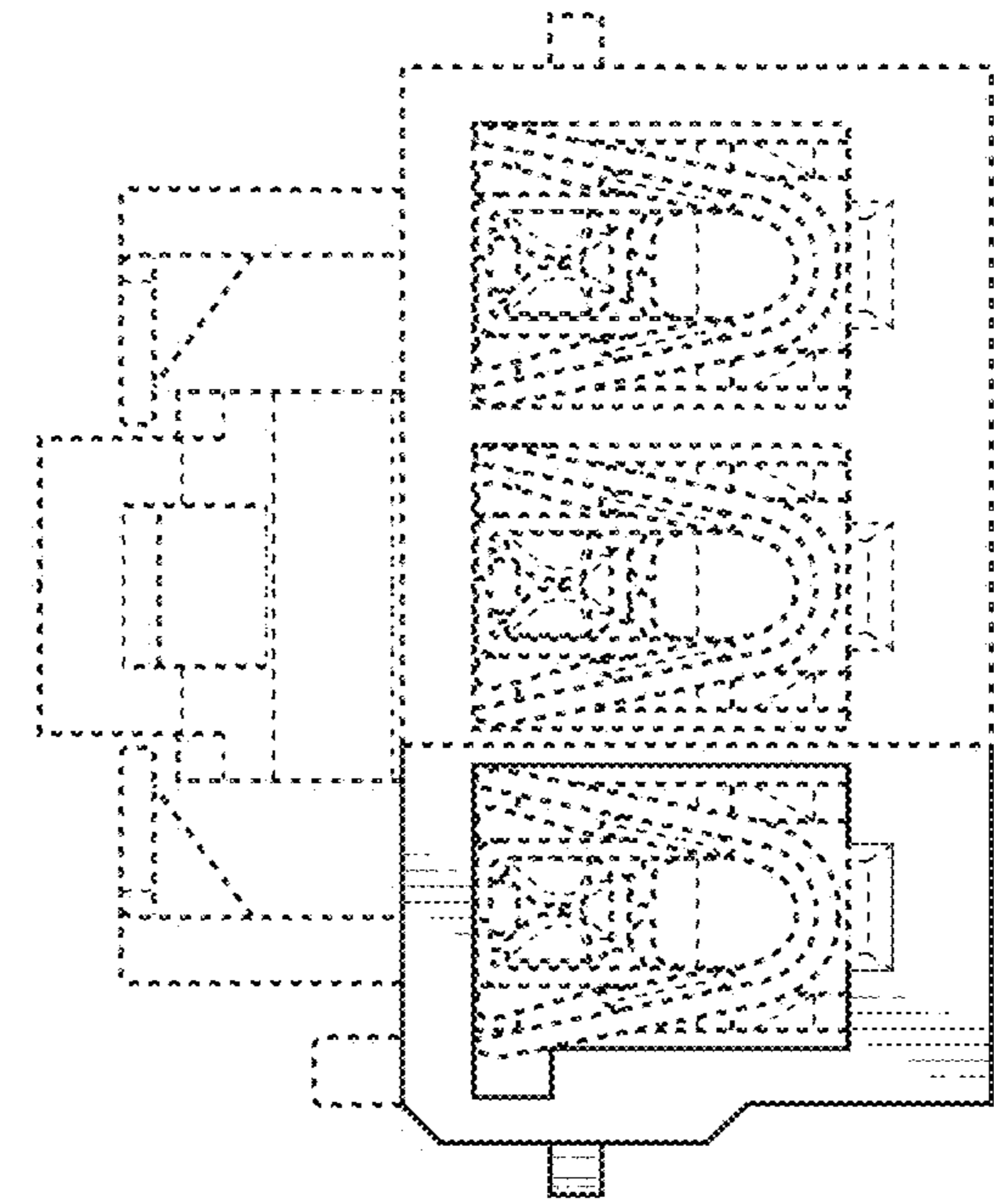


FIG. 6

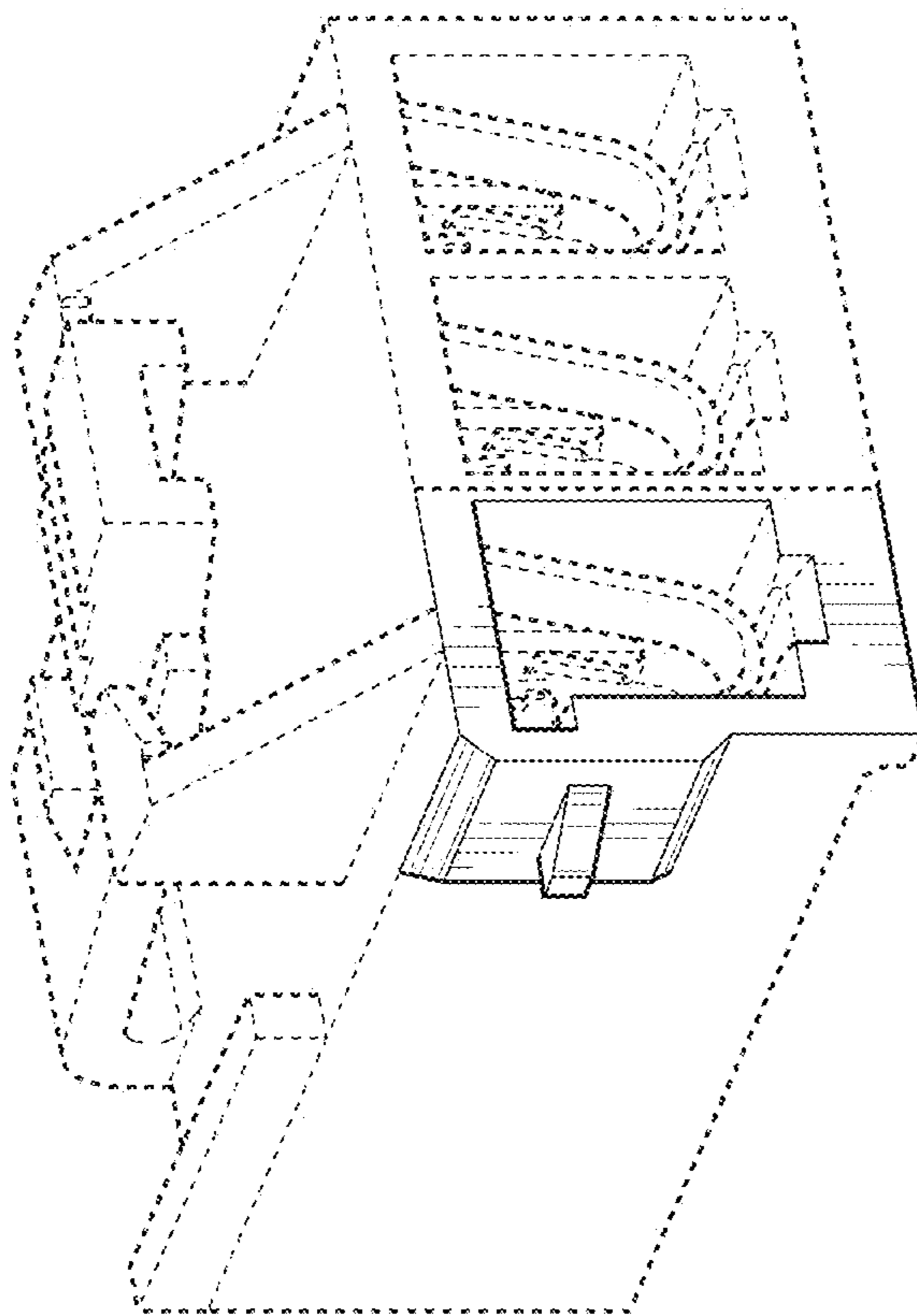


FIG. 7

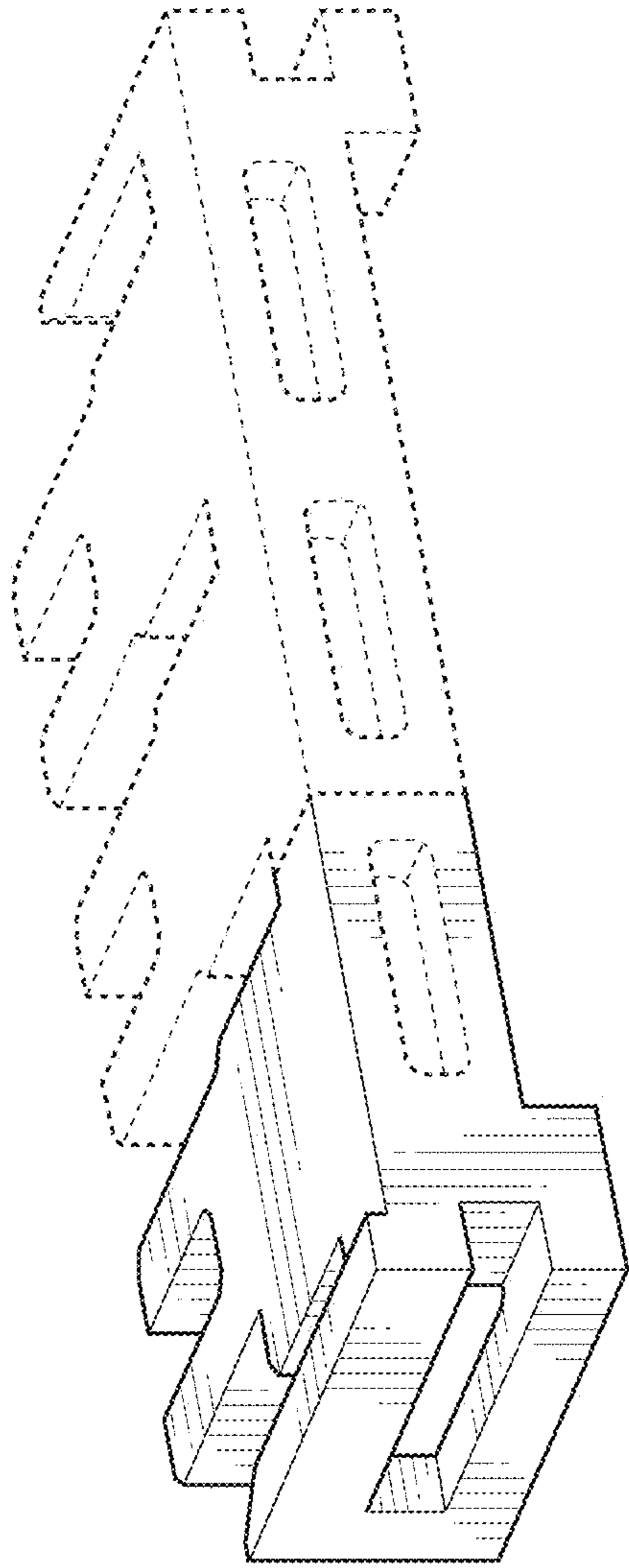


FIG. 8

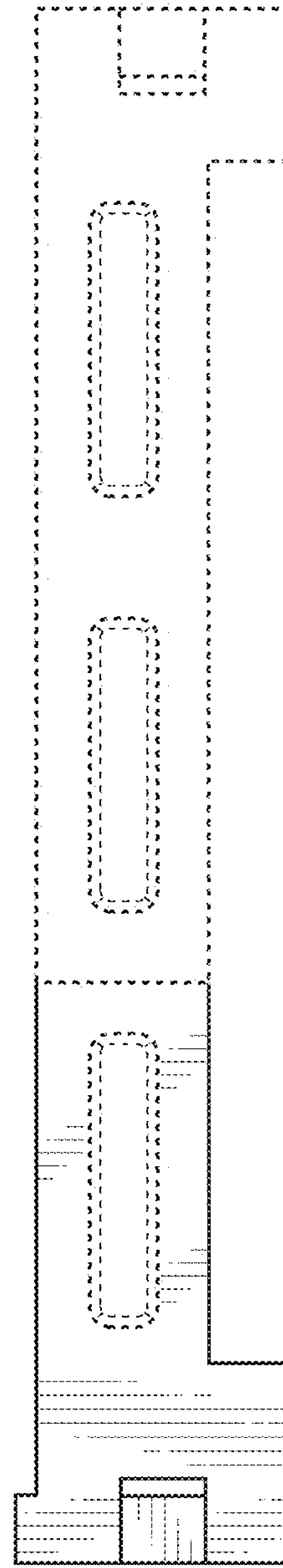


FIG. 9

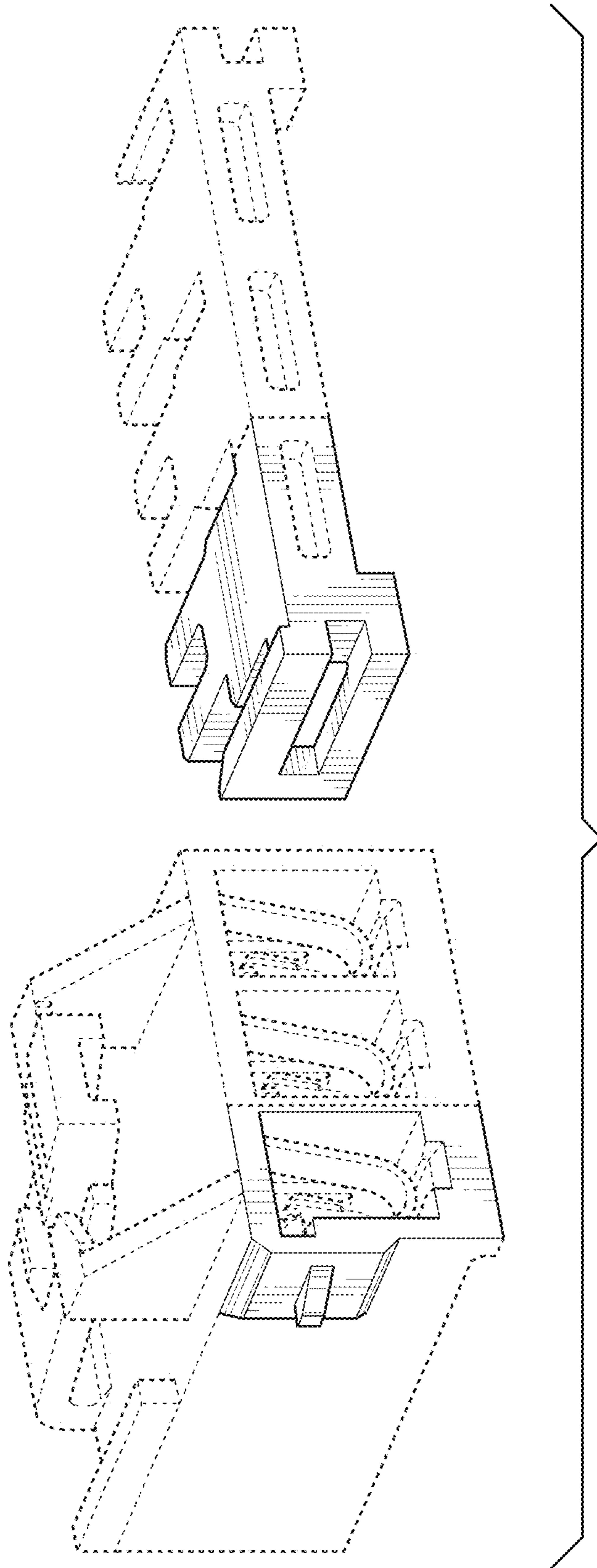


FIG. 10



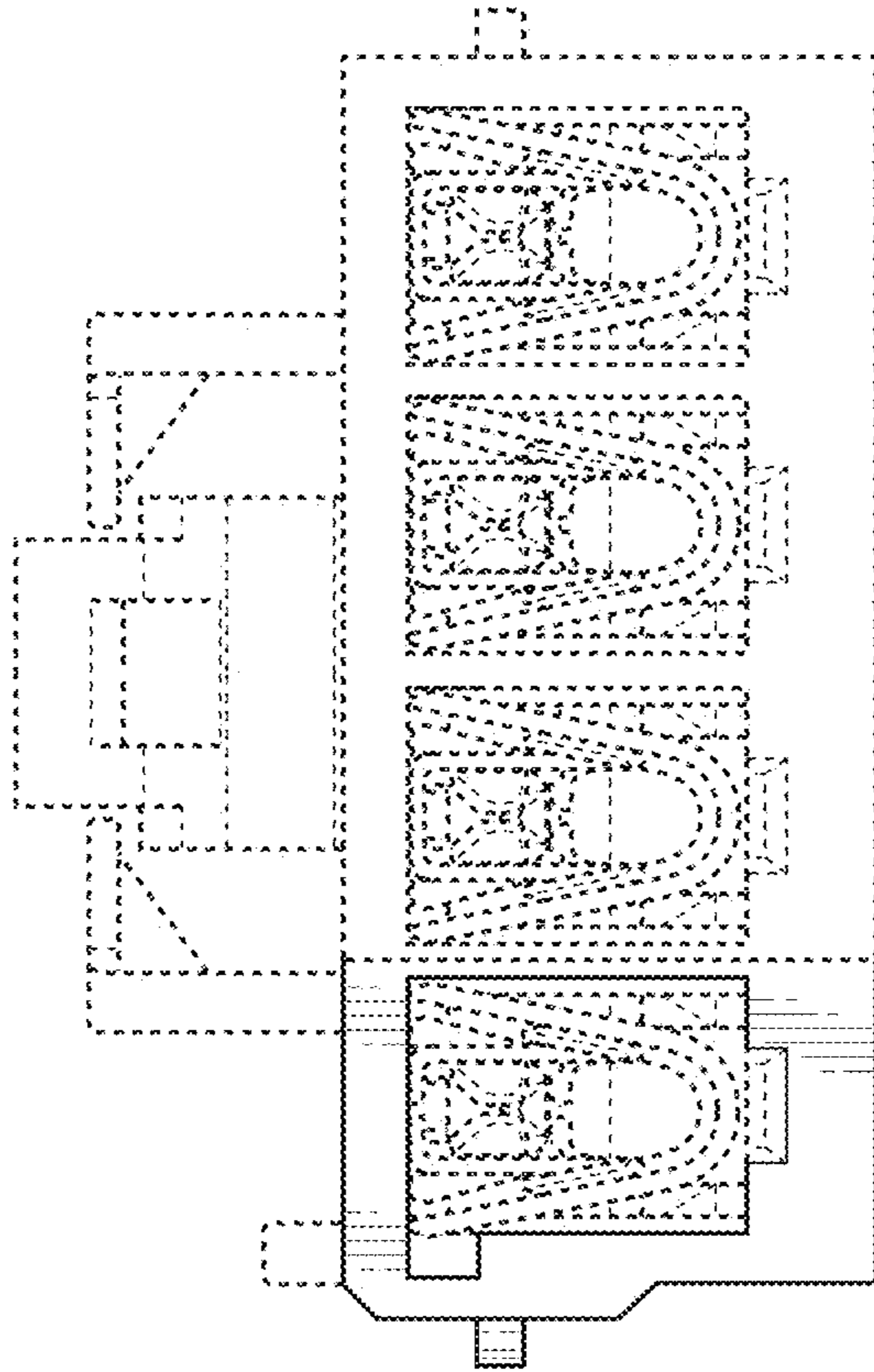


FIG. 11

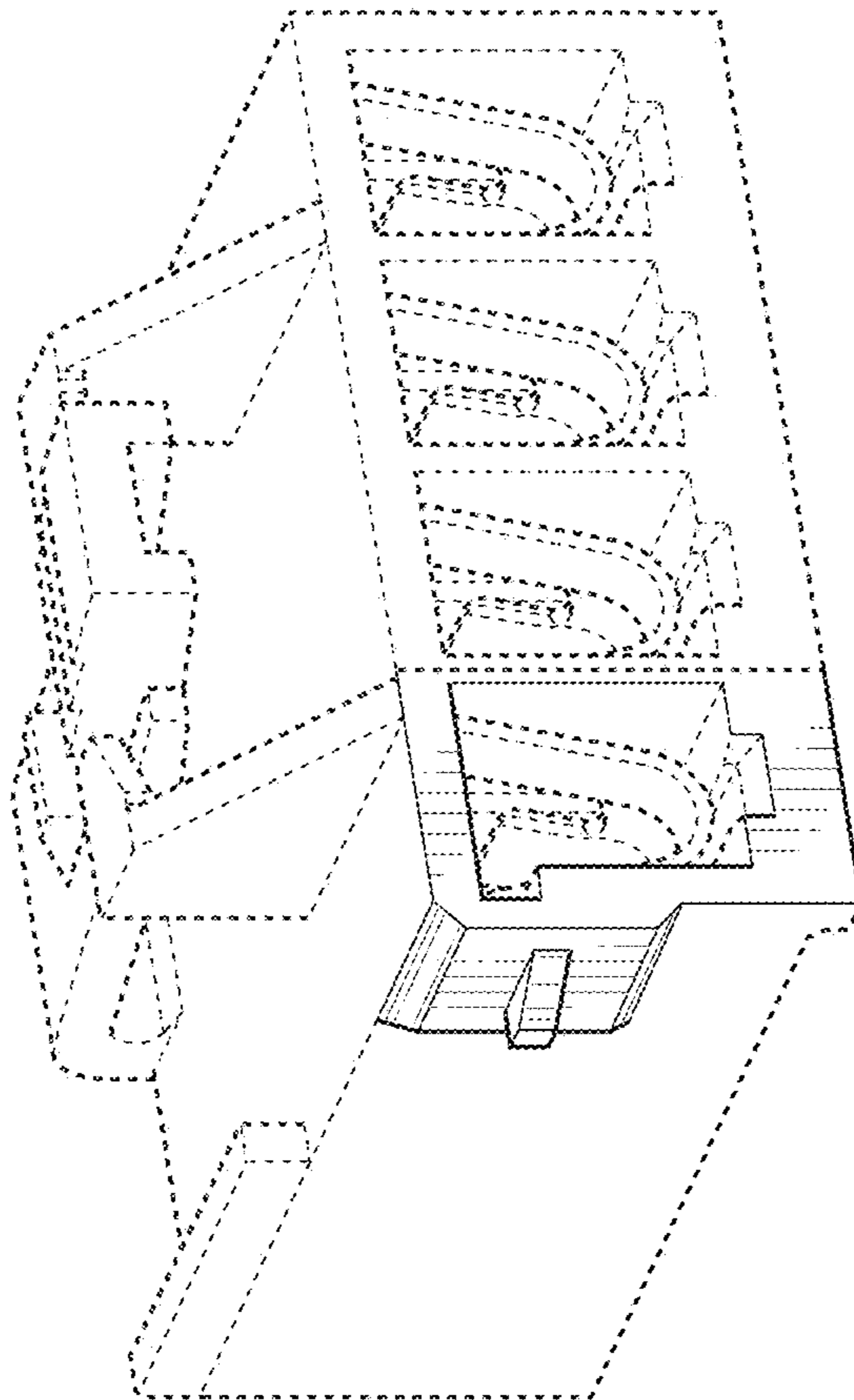


FIG. 12

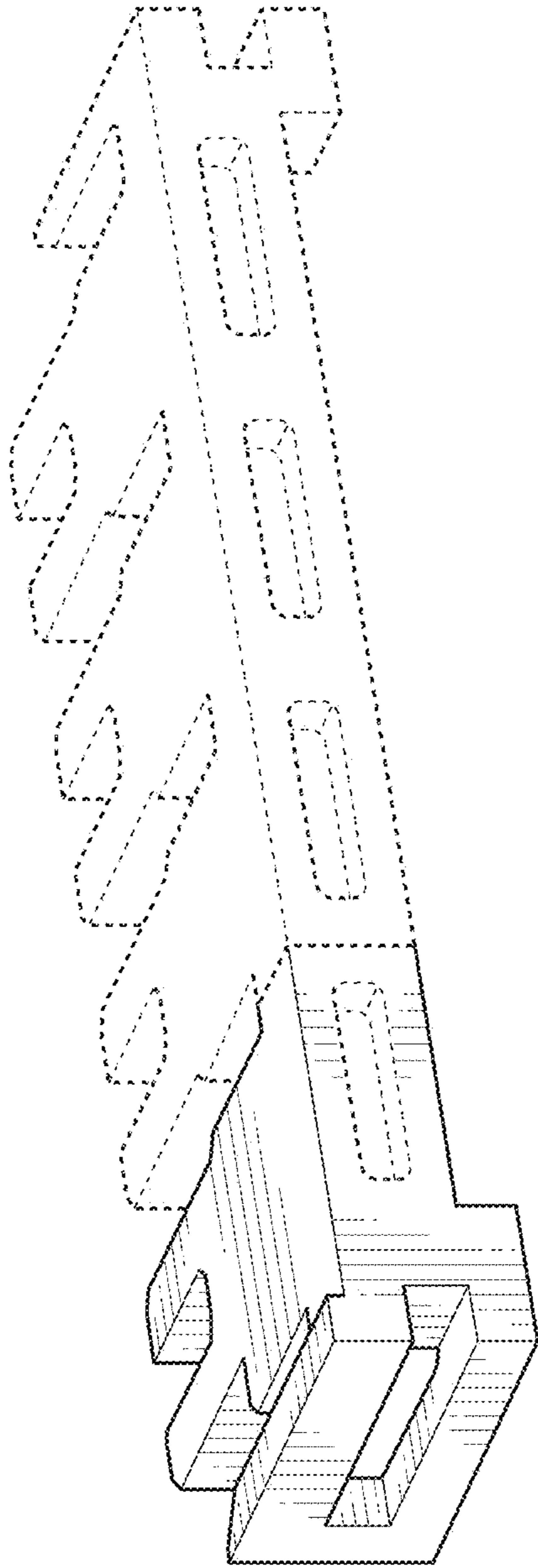


FIG. 13

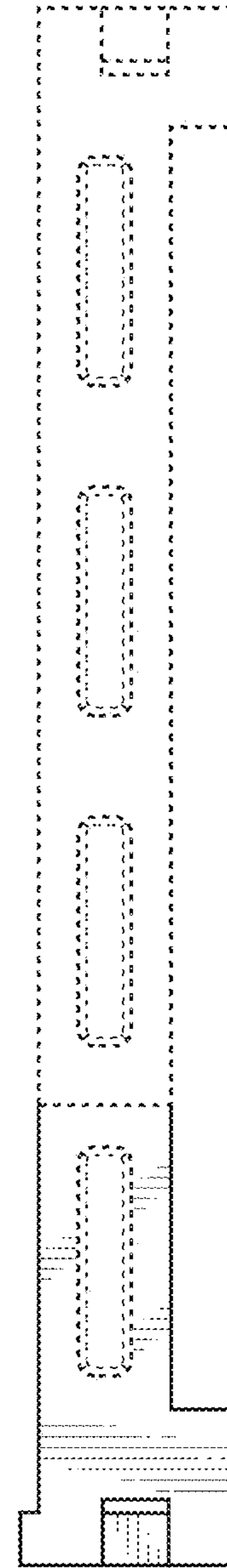


FIG. 14

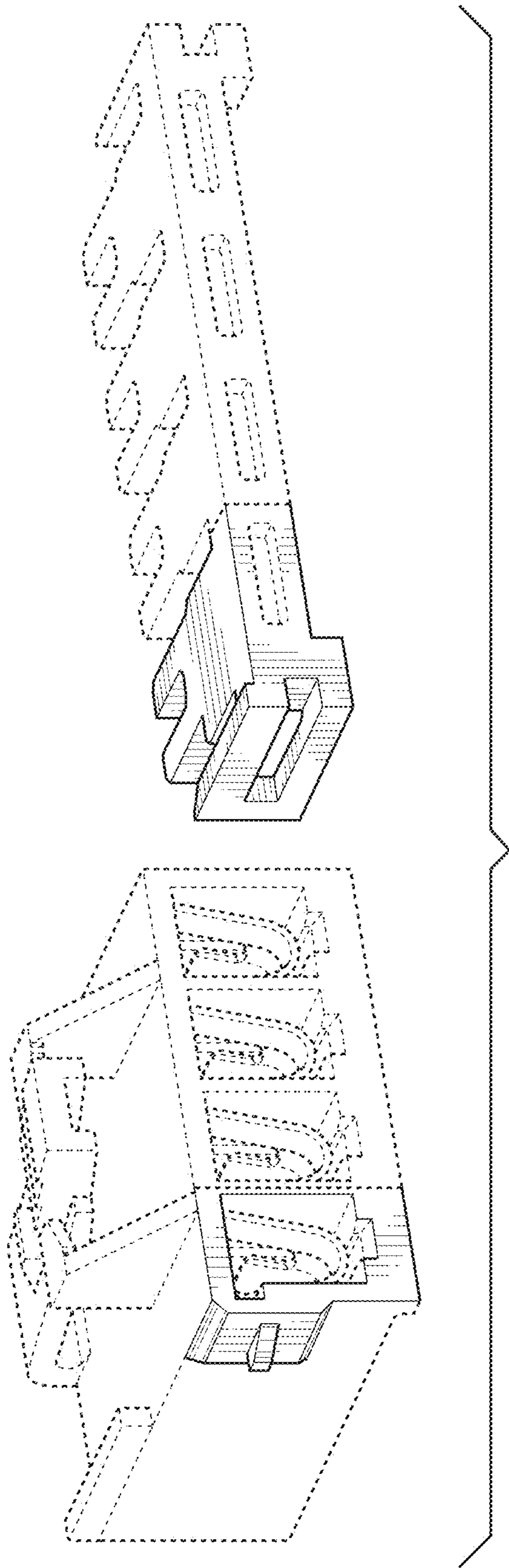


FIG. 15

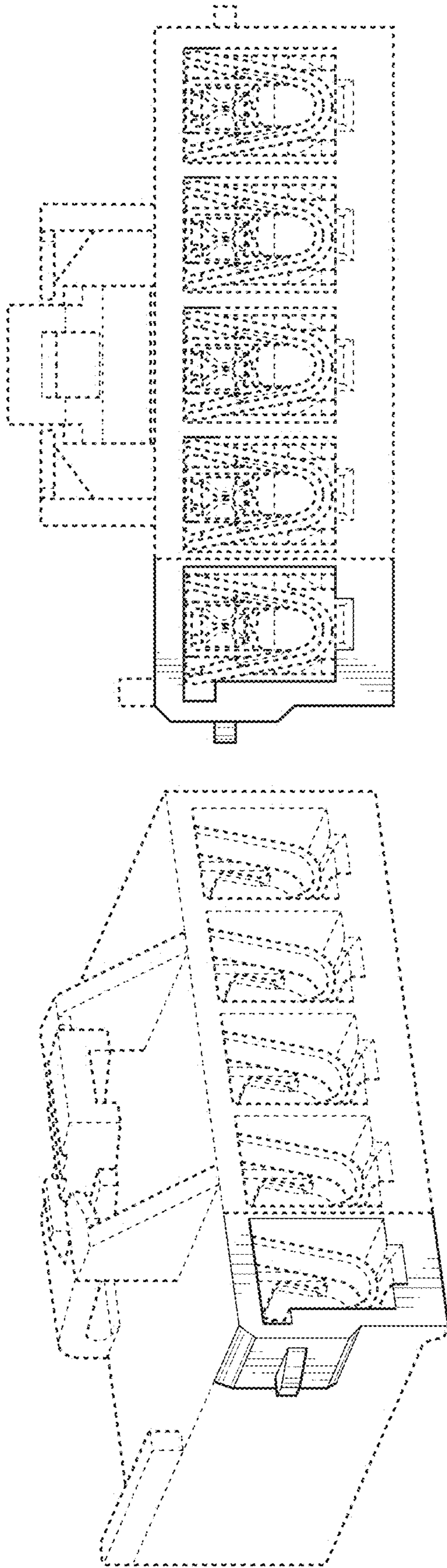


FIG. 17

FIG. 16

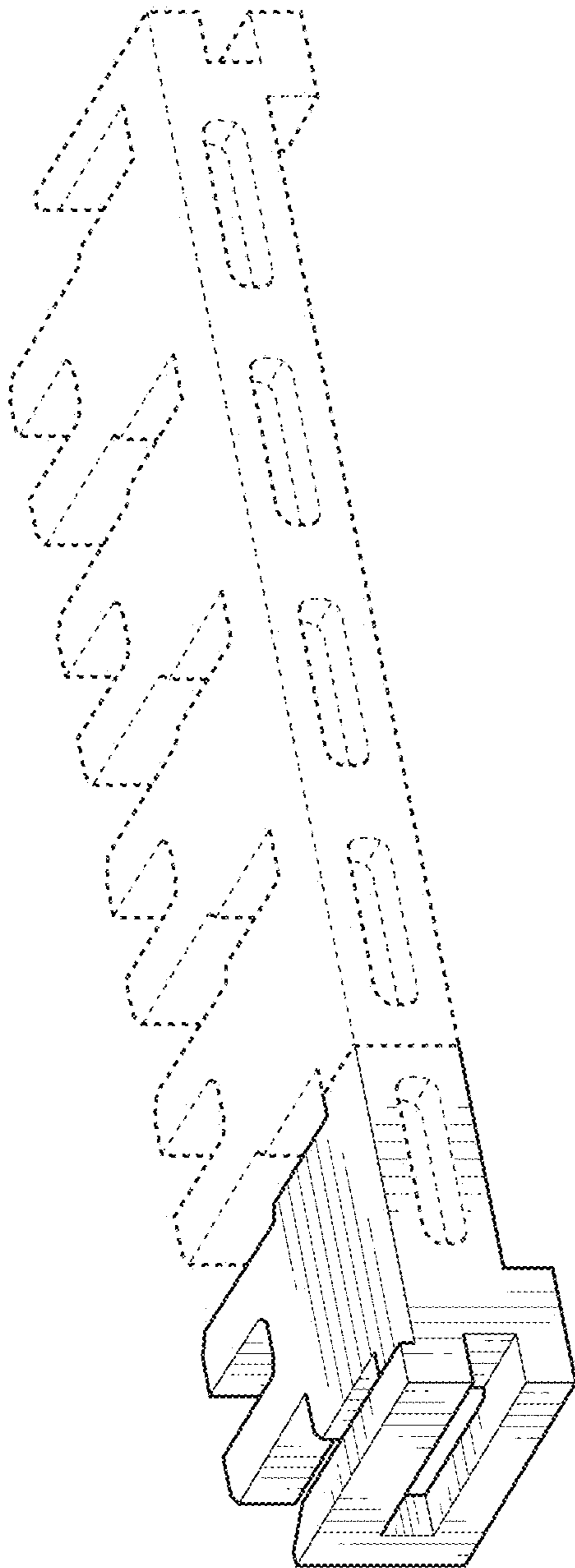


FIG. 18

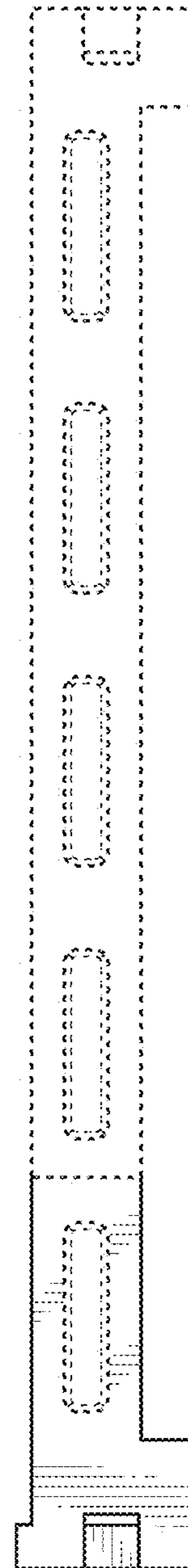


FIG. 19

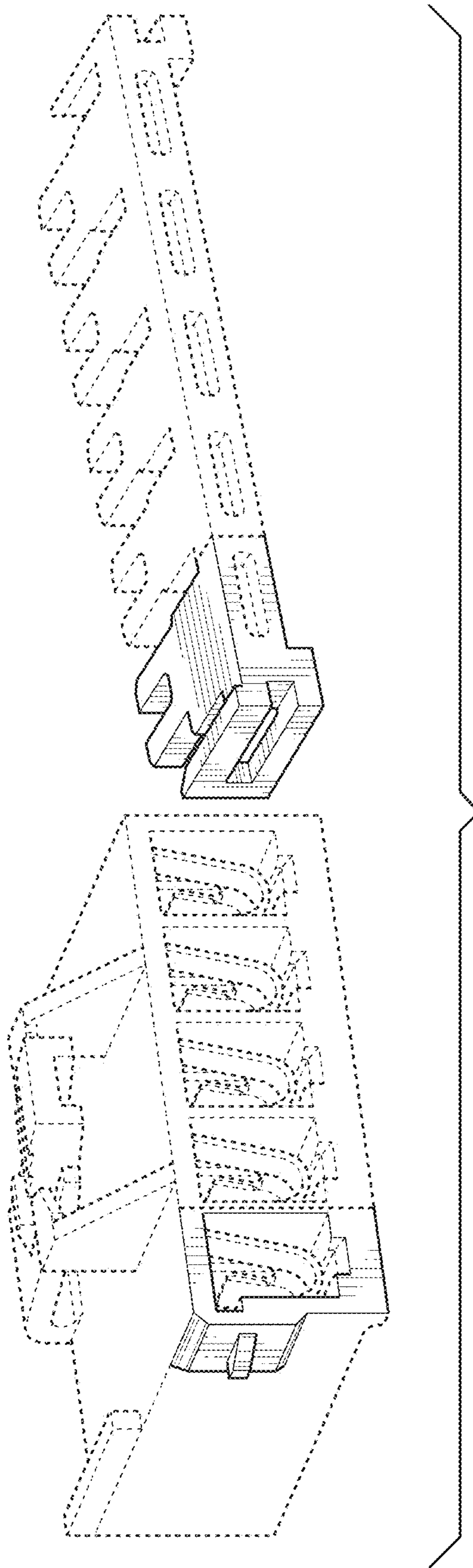


FIG. 20

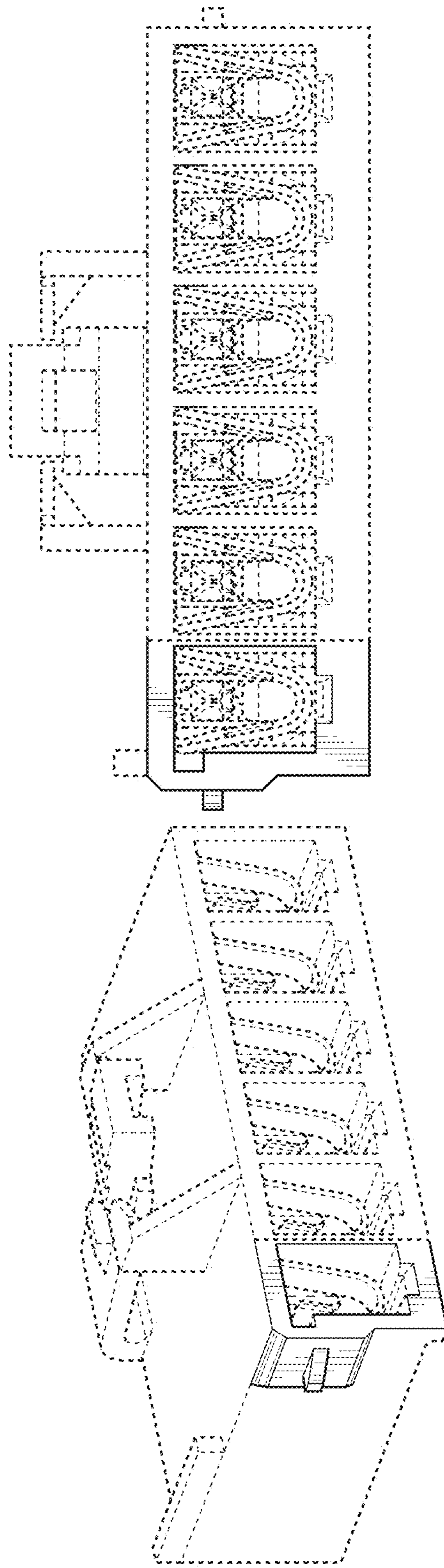


FIG. 22

FIG. 21

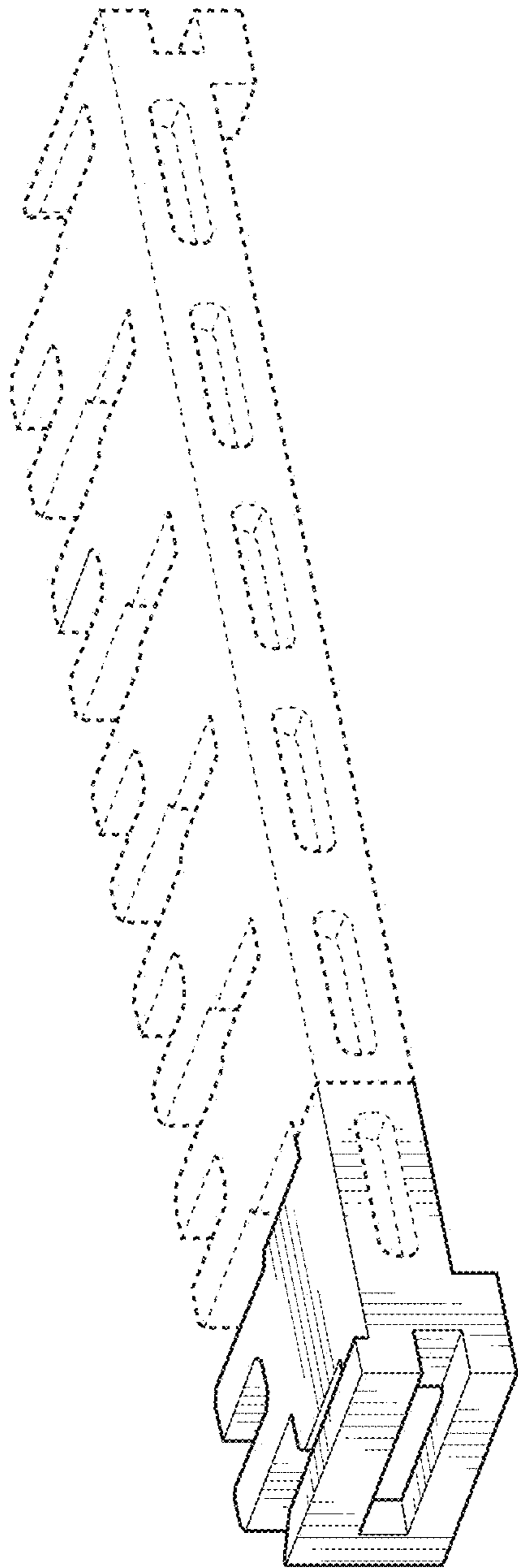


FIG. 23

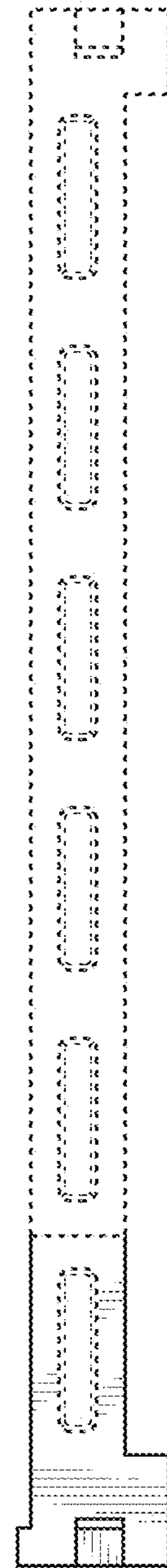


FIG. 24



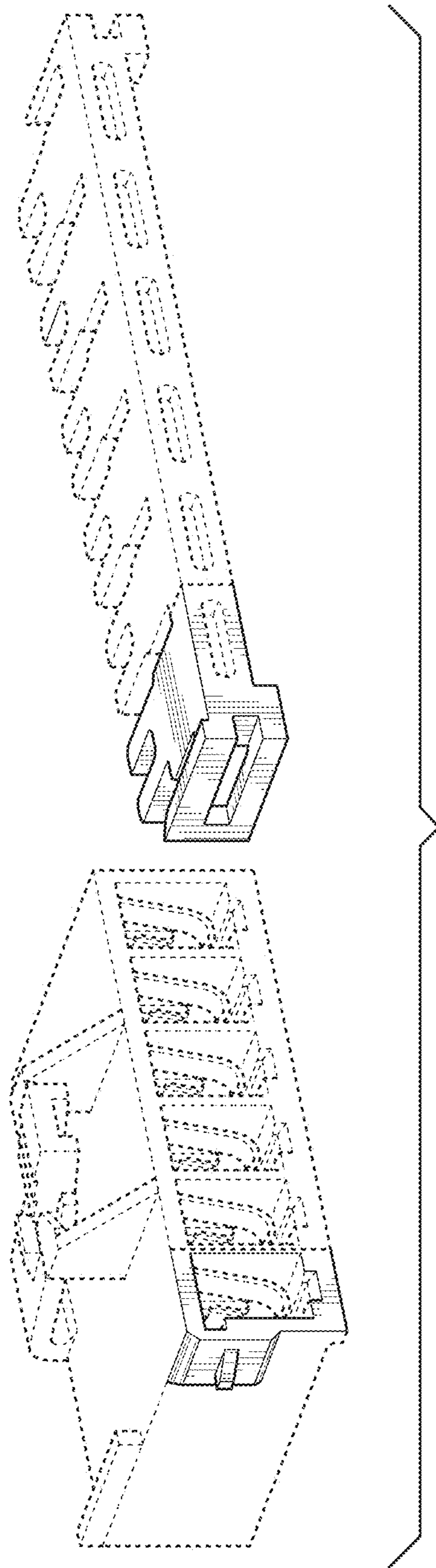


FIG. 25