



US00D906973S

(12) **United States Design Patent**
Thyagaraj et al.

(10) **Patent No.:** **US D906,973 S**
(45) **Date of Patent:** **** Jan. 5, 2021**

(54) **CONNECTOR PLUG AND RECEPTACLE PAIR**

(71) Applicant: **Molex, LLC**, Lisle, IL (US)

(72) Inventors: **Harsha Thyagaraj**, Bangalore (IN);
Pierre Perez, Aurora, IL (US)

(73) Assignee: **Molex, LLC**, Lisle, IL (US)

(**) Term: **15 Years**

(21) Appl. No.: **29/679,005**

(22) Filed: **Jan. 31, 2019**

(51) **LOC (13) Cl.** **13-03**

(52) **U.S. Cl.**
USPC **D13/133; D13/147**

(58) **Field of Classification Search**
USPC **D13/133, 146, 147, 153, 154, 155**

(Continued)

(56) **References Cited**

U.S. PATENT DOCUMENTS

5,169,336 A * 12/1992 Taguchi H01R 13/64
439/354
5,876,230 A * 3/1999 Nishide H01R 13/6272
439/352

(Continued)

FOREIGN PATENT DOCUMENTS

WO D207799-010 * 5/2020
WO D207799-013 * 5/2020

Primary Examiner — Karen E Kearney

Assistant Examiner — Michael Chong

(74) *Attorney, Agent, or Firm* — Banner & Witcoff, Ltd.

(57) **CLAIM**

The ornamental design for a connector plug and receptacle pair, as shown and described.

DESCRIPTION

FIG. 1 is a front perspective view of a connector plug showing our new design;

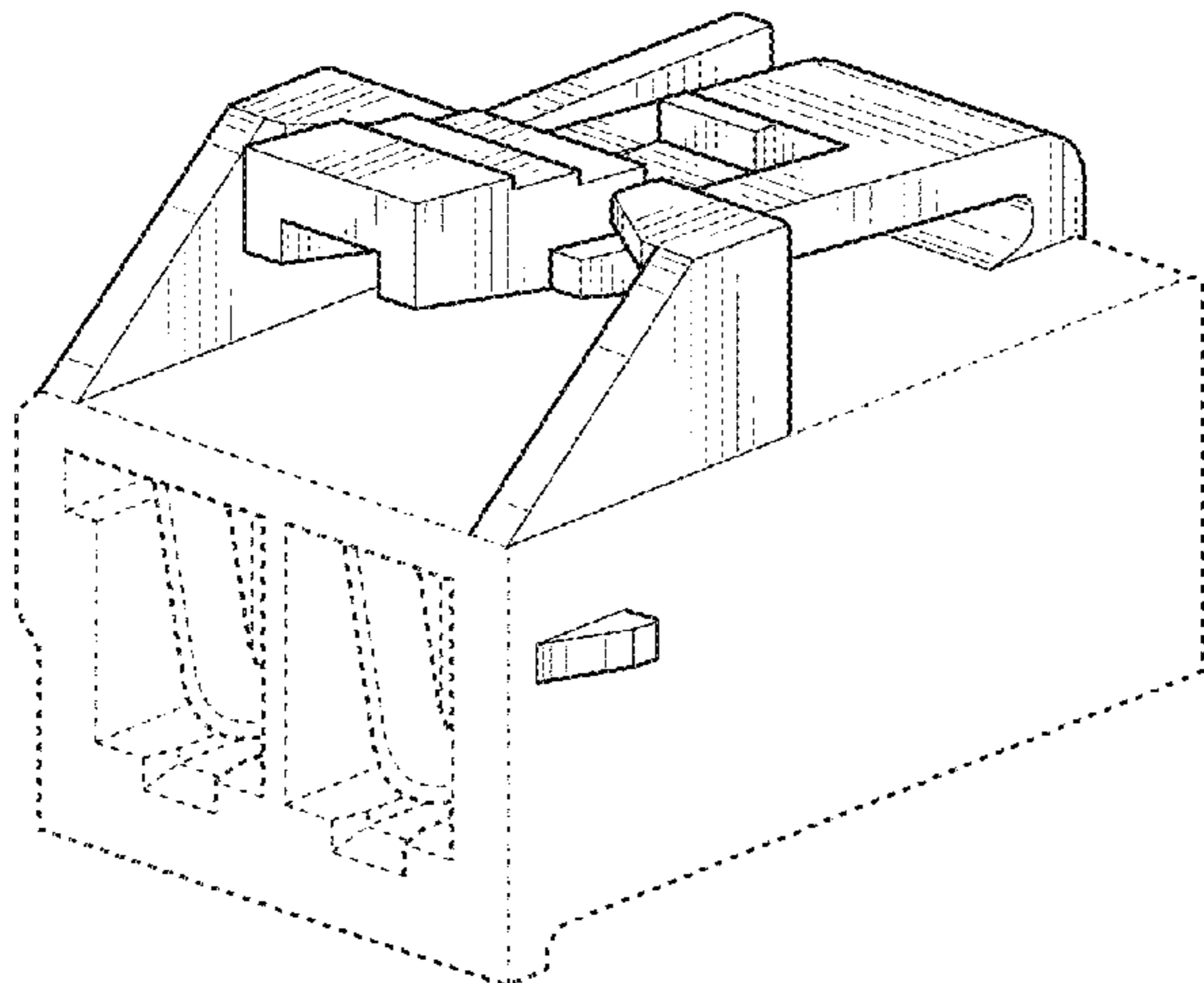


FIG. 2 is a front view thereof;
FIG. 3 is a rear perspective view thereof;
FIG. 4 is a front perspective view of a connector receptacle showing our new design;
FIG. 5 is a front view thereof;
FIG. 6 is a rear perspective view thereof;
FIG. 7 is a front perspective view of the connector plug of FIGS. 1-3 and the receptacle pair of FIGS. 4-6, shown together as a pair;
FIG. 8 is a front perspective view of an alternate embodiment of a connector plug showing our new design;
FIG. 9 is a front view thereof;
FIG. 10 is a rear perspective view thereof;
FIG. 11 is a front perspective view of an alternate embodiment of a connector receptacle showing our new design;
FIG. 12 is a front view thereof;
FIG. 13 is a rear perspective view thereof;
FIG. 14 is a front perspective view of the connector plug of FIGS. 8-10 and the receptacle pair of FIGS. 11-13, shown together as a pair;
FIG. 15 is a front perspective view of an alternate embodiment of a connector plug showing our new design;
FIG. 16 is a front view thereof;
FIG. 17 is a rear perspective view thereof;
FIG. 18 is a front perspective view of an alternate embodiment of a connector receptacle showing our new design;
FIG. 19 is a front view thereof;
FIG. 20 is a rear perspective view thereof;
FIG. 21 is a front perspective view of the connector plug of FIGS. 15-17 and the receptacle pair of FIGS. 18-20, shown together as a pair;
FIG. 22 is a front perspective view of an alternate embodiment of a connector plug showing our new design;
FIG. 23 is a front view thereof;
FIG. 24 is a rear perspective view thereof;
FIG. 25 is a front perspective view of an alternate embodiment of a connector receptacle showing our new design;
FIG. 26 is a front view thereof;
FIG. 27 is a rear perspective view thereof;
FIG. 28 is a front perspective view of the connector plug of FIGS. 22-24 and the receptacle pair of FIGS. 25-27, shown together as a pair;
FIG. 29 is a front perspective view of an alternate embodiment of a connector plug showing our new design;

(Continued)

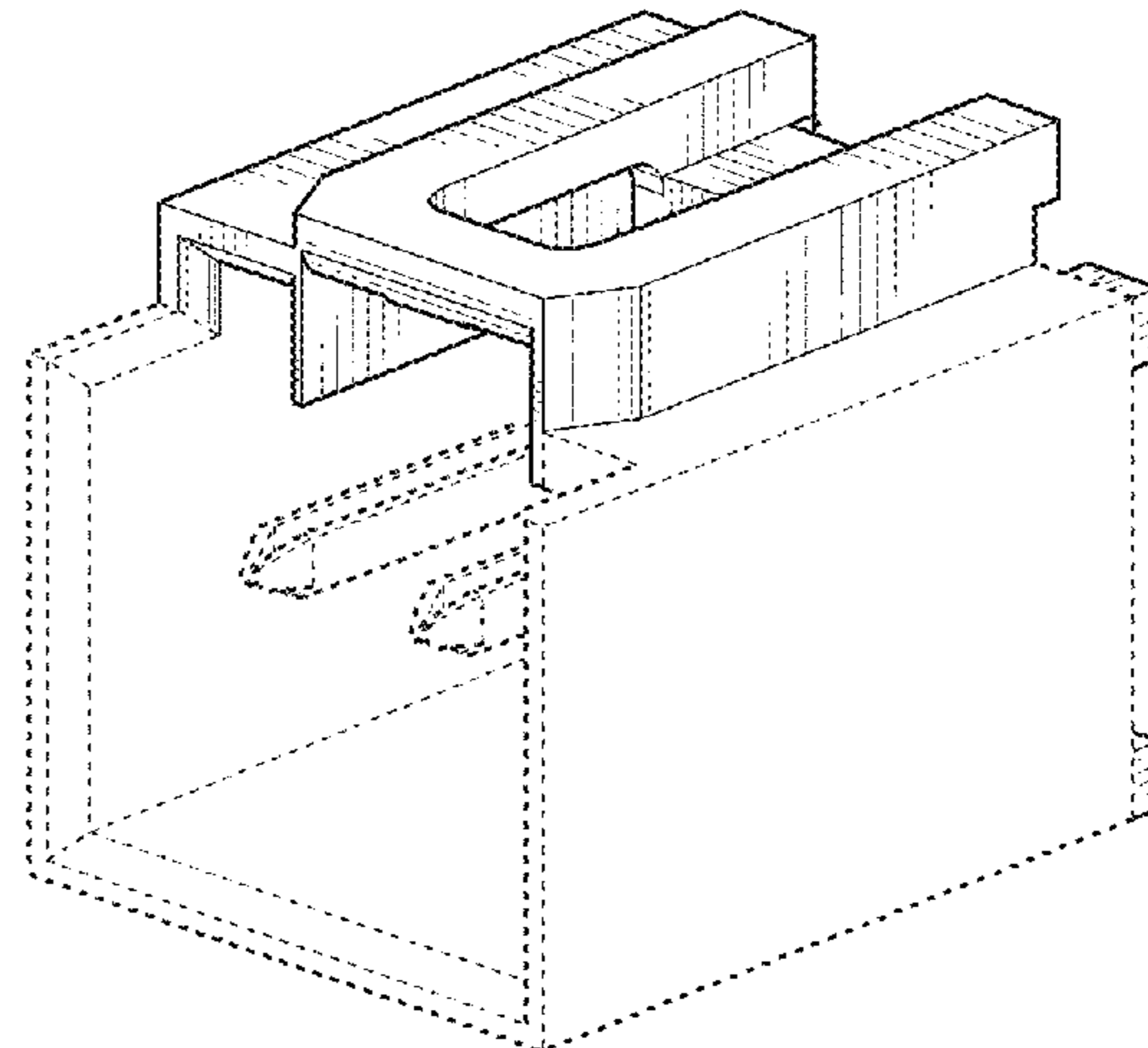


FIG. 30 is a front view thereof;
 FIG. 31 is a rear perspective view thereof;
 FIG. 32 is a front perspective view of an alternate embodiment of a connector receptacle showing our new design;
 FIG. 33 is a front view thereof;
 FIG. 34 is a rear perspective view thereof; and,
 FIG. 35 is a front perspective view of the connector plug of FIGS. 29-31 and the receptacle pair of FIGS. 32-34, shown together as a pair.
 The broken lines depicting the remainder of the connector plug and the connector receptacle show features that form no part of the claimed design. The broken lines immediately adjacent to the shading areas represent the bounds of the claimed design and form no part thereof.

1 Claim, 35 Drawing Sheets

(58) **Field of Classification Search**

CPC H01R 13/02; H01R 13/436; H01R 13/502;
 H01R 13/504; H01R 13/506; H01R

13/58; H01R 13/627; H01R 13/6315;
 H01R 13/6586

See application file for complete search history.

(56)

References Cited

U.S. PATENT DOCUMENTS

D425,869	S *	5/2000	Yokomizo	D13/147
6,241,547	B1 *	6/2001	Fukuda	H01R 13/641 439/352
D745,461	S *	12/2015	Cho	D13/146
D748,588	S *	2/2016	Endo	D13/147
D791,082	S *	7/2017	Li	D13/147
D791,704	S *	7/2017	Li	D13/147
D791,705	S	7/2017	Li et al.	
D791,706	S *	7/2017	Li	D13/147
D791,707	S *	7/2017	Li	D13/147
D792,851	S *	7/2017	Li	D13/147
D792,852	S *	7/2017	Li	D13/147
D792,853	S *	7/2017	Li	D13/147
D801,278	S *	10/2017	Li	D13/147
D802,538	S *	11/2017	Li	D13/147
D803,161	S *	11/2017	Li	D13/147
10,461,458	B2 *	10/2019	Kim	H01R 13/4362

* cited by examiner

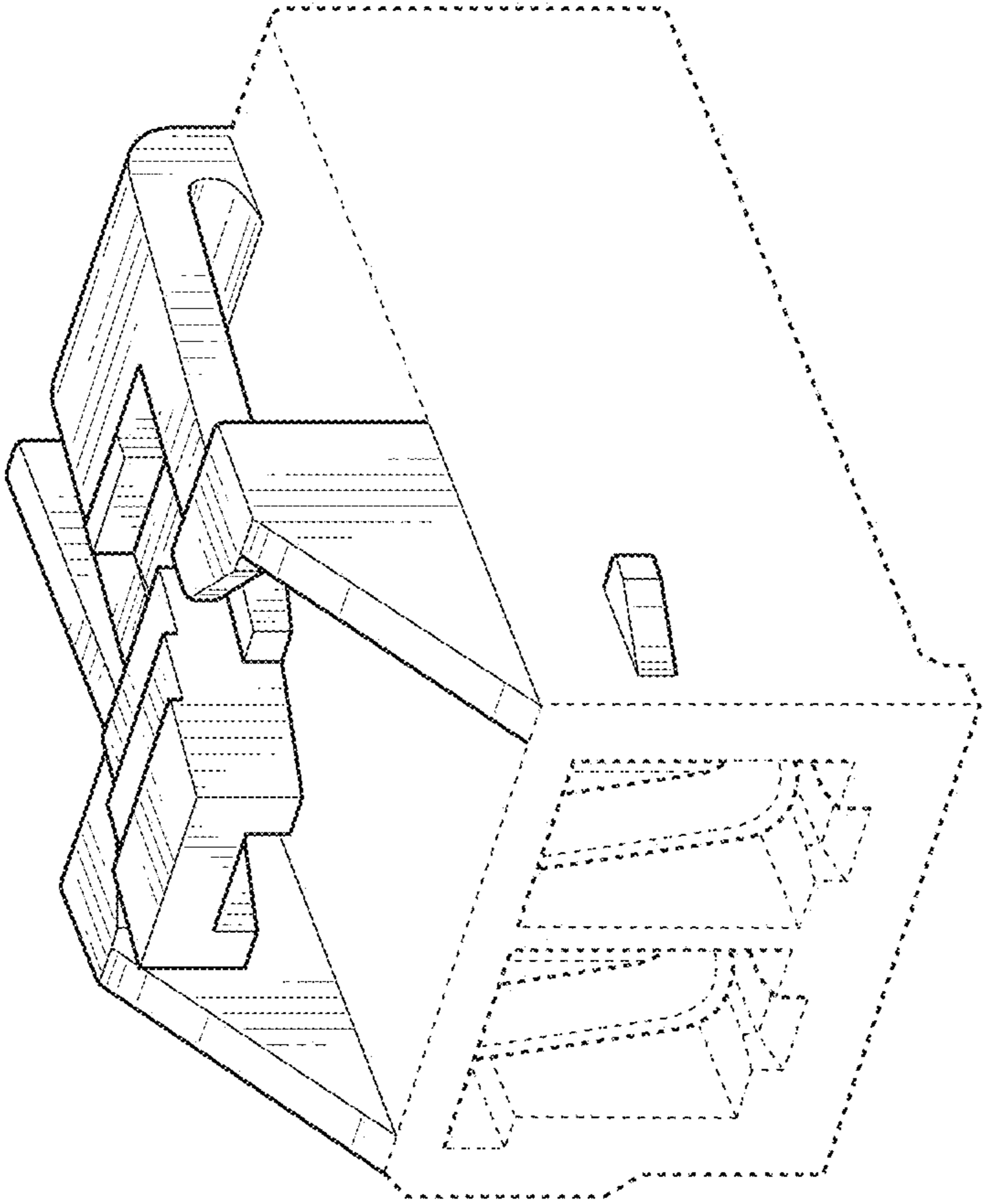


FIG. 1

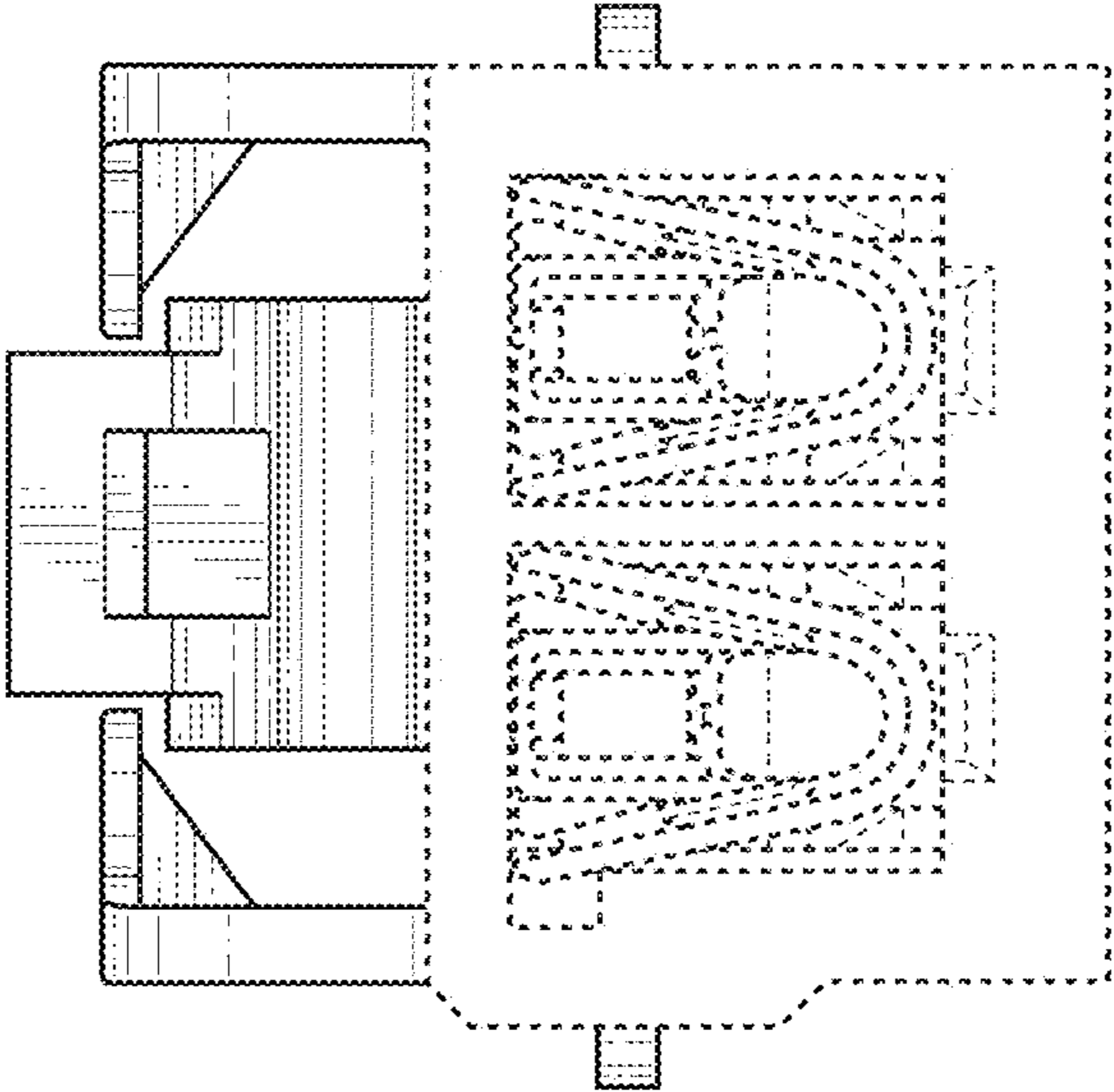


FIG. 2

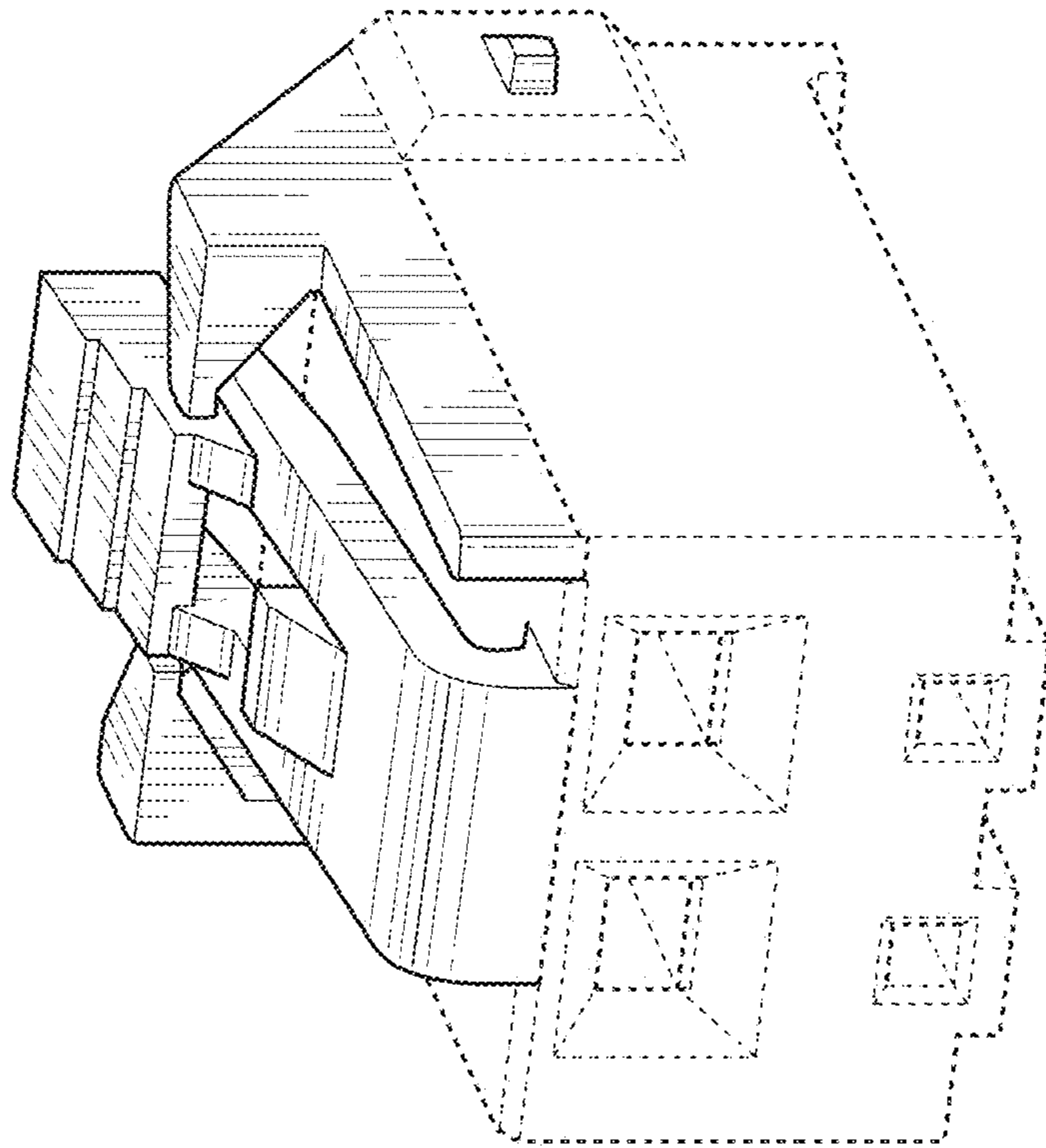


FIG. 3

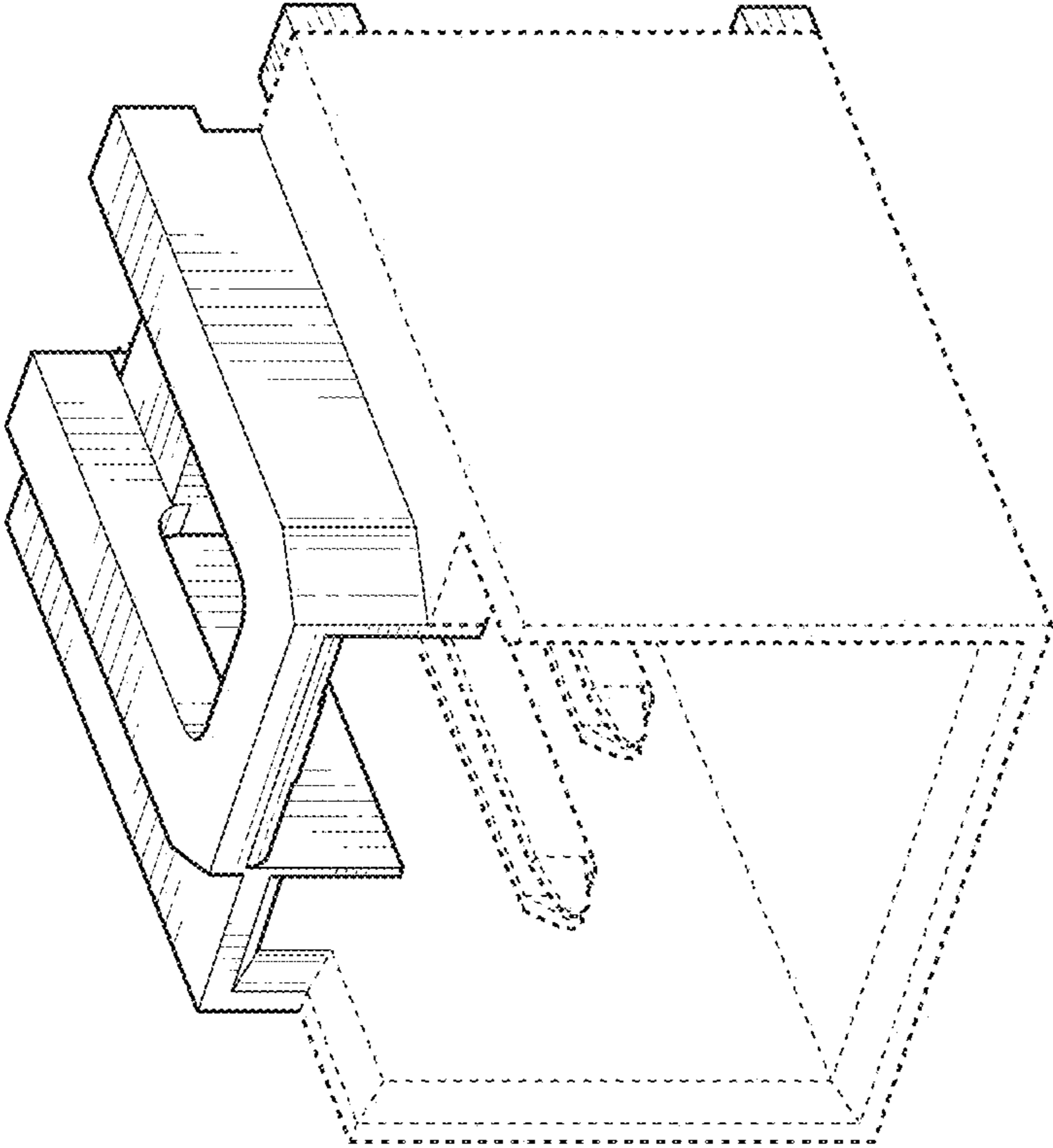


FIG. 4

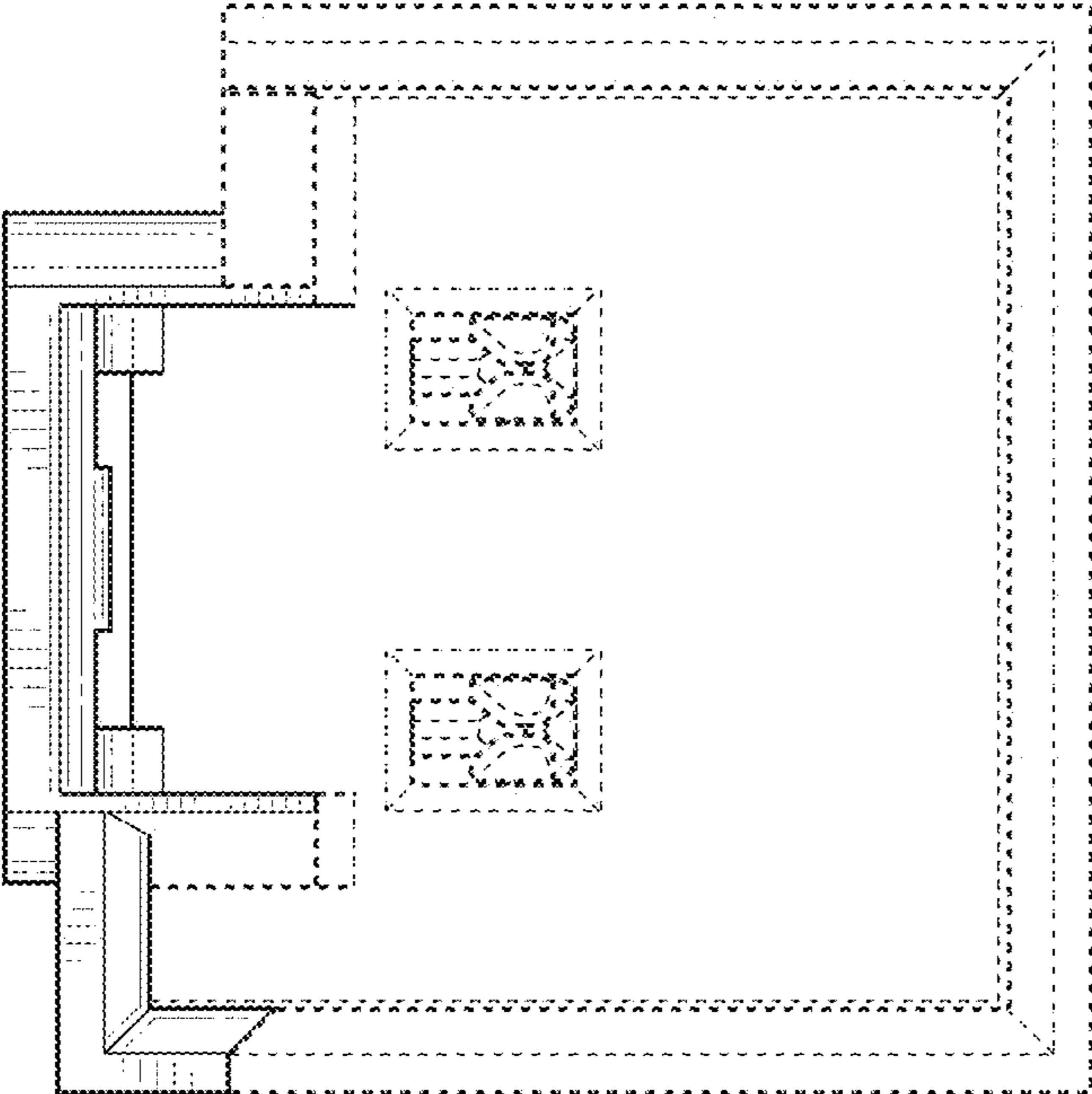


FIG. 5

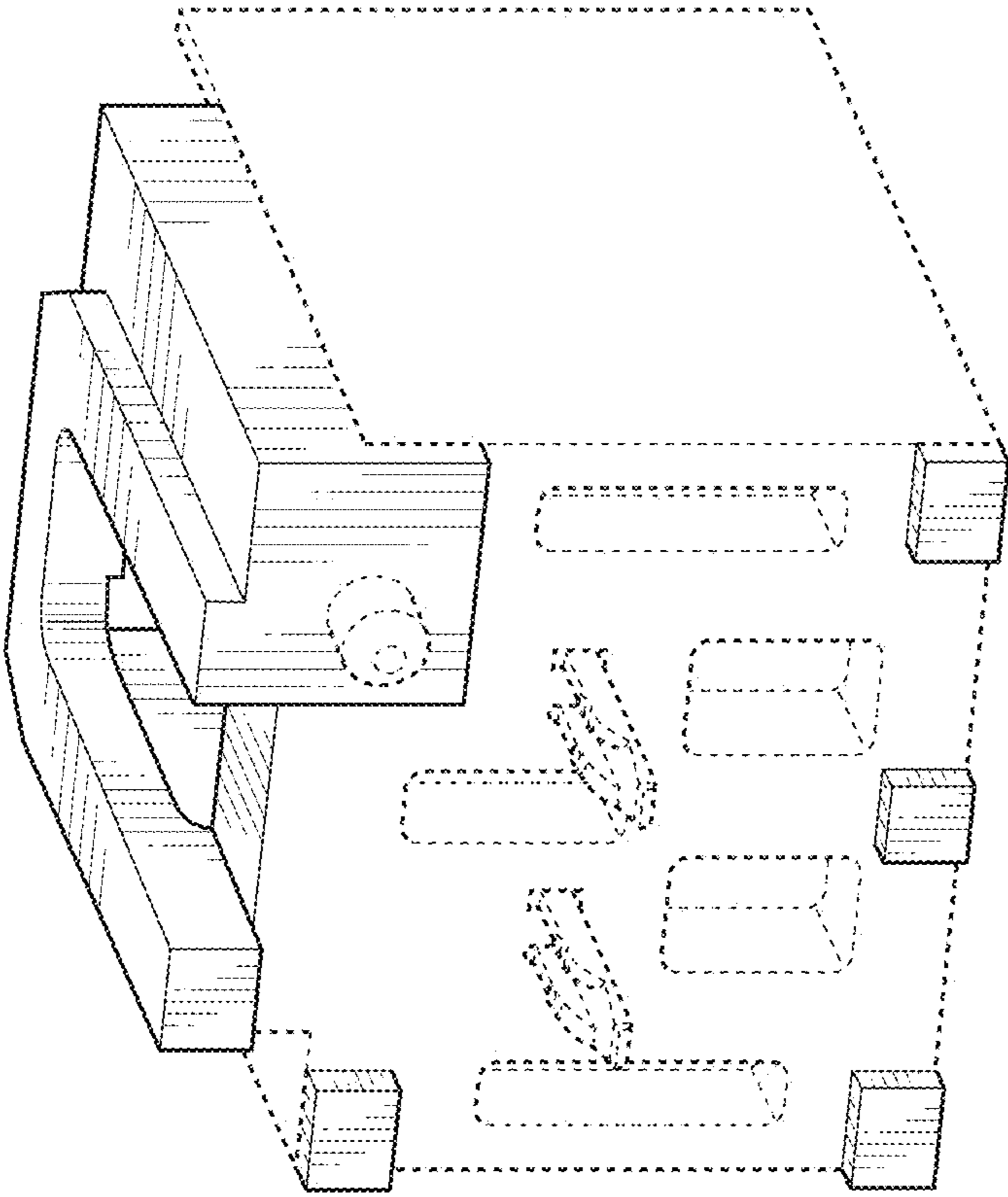


FIG. 6

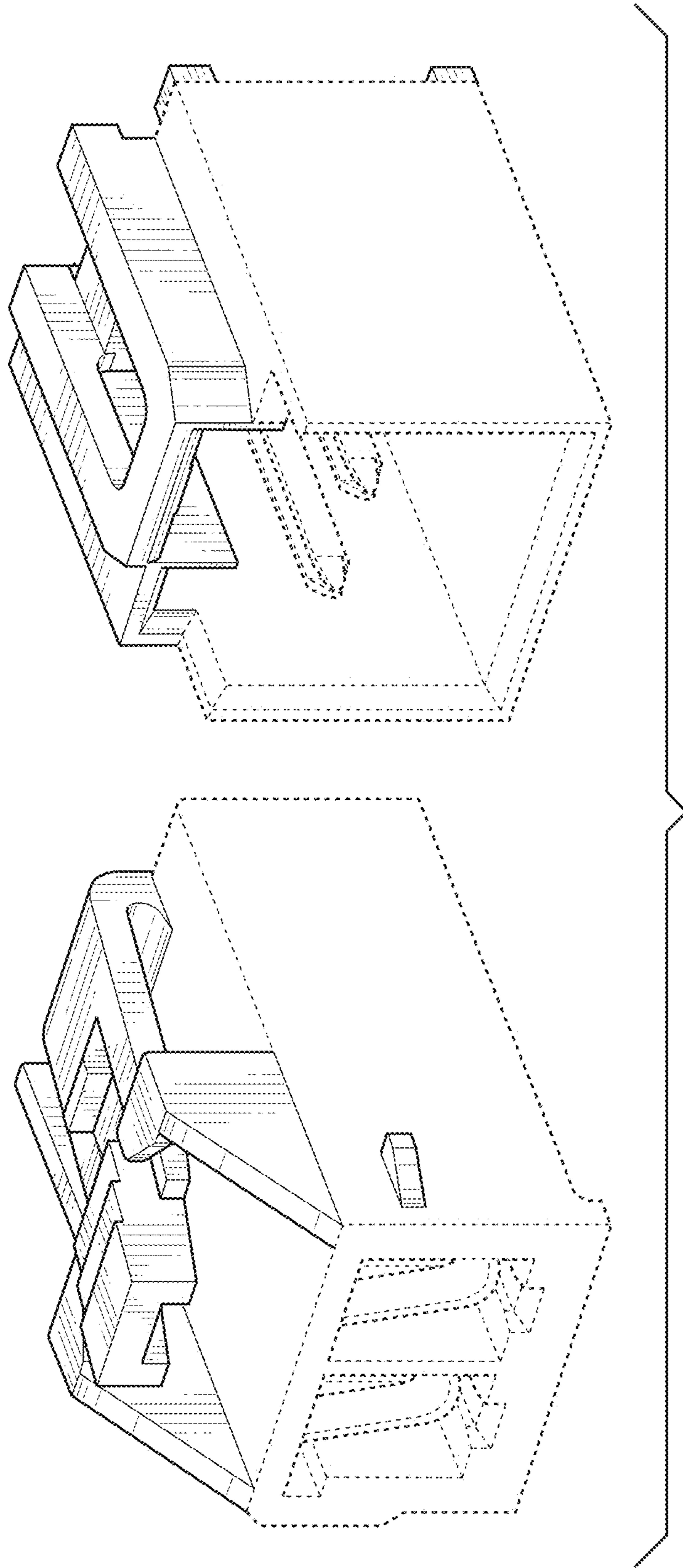


FIG. 7

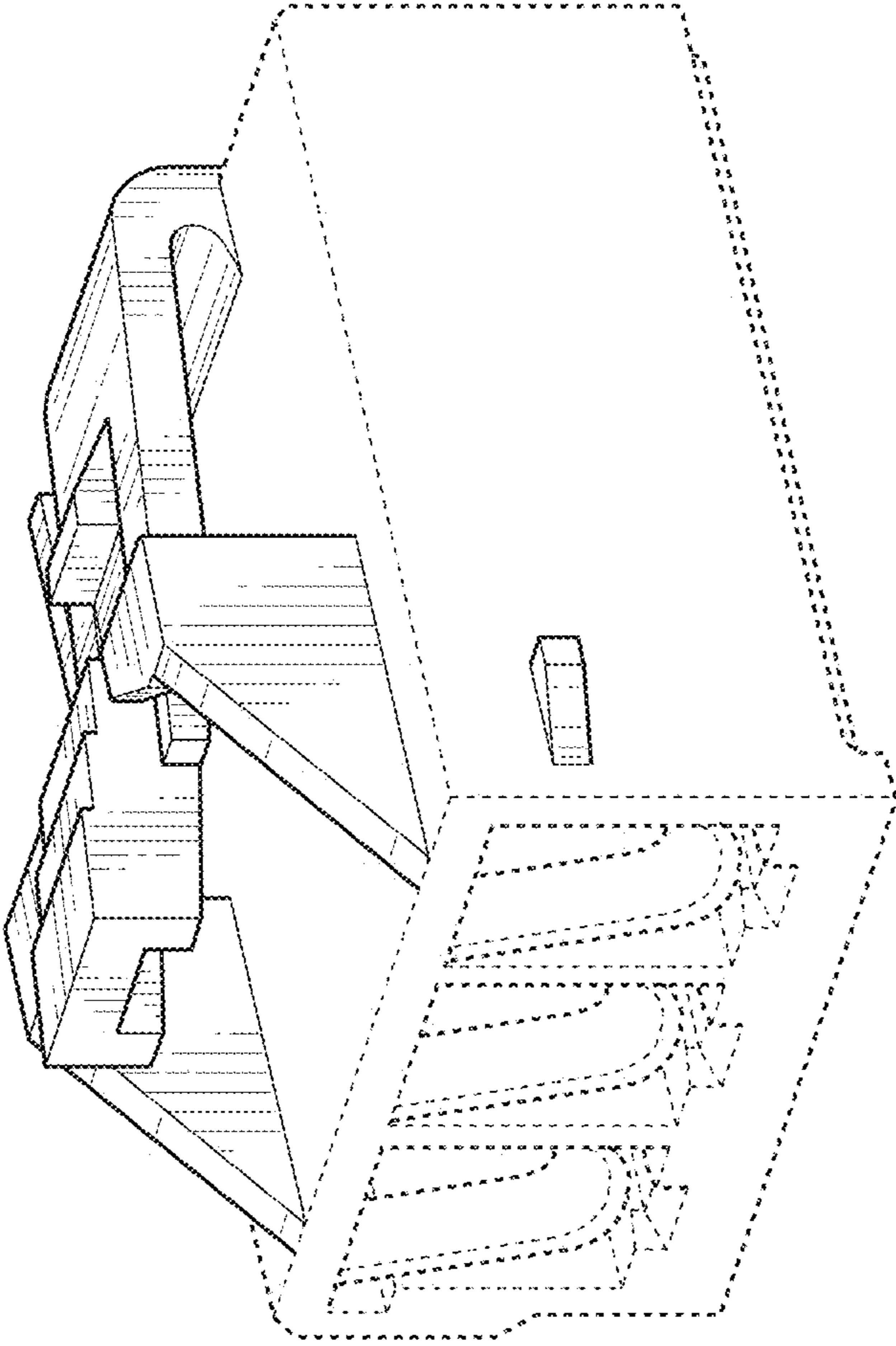


FIG. 8

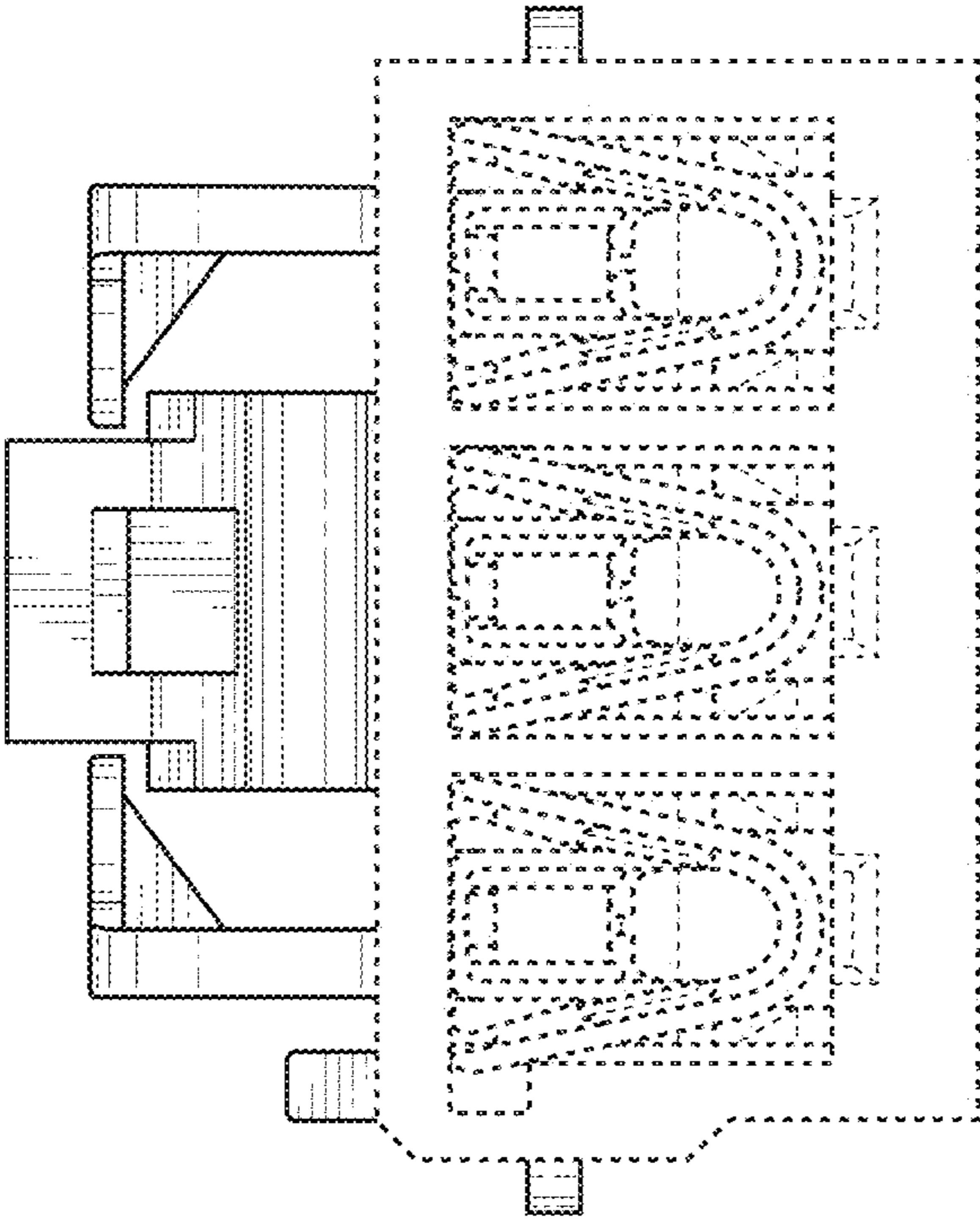


FIG. 9

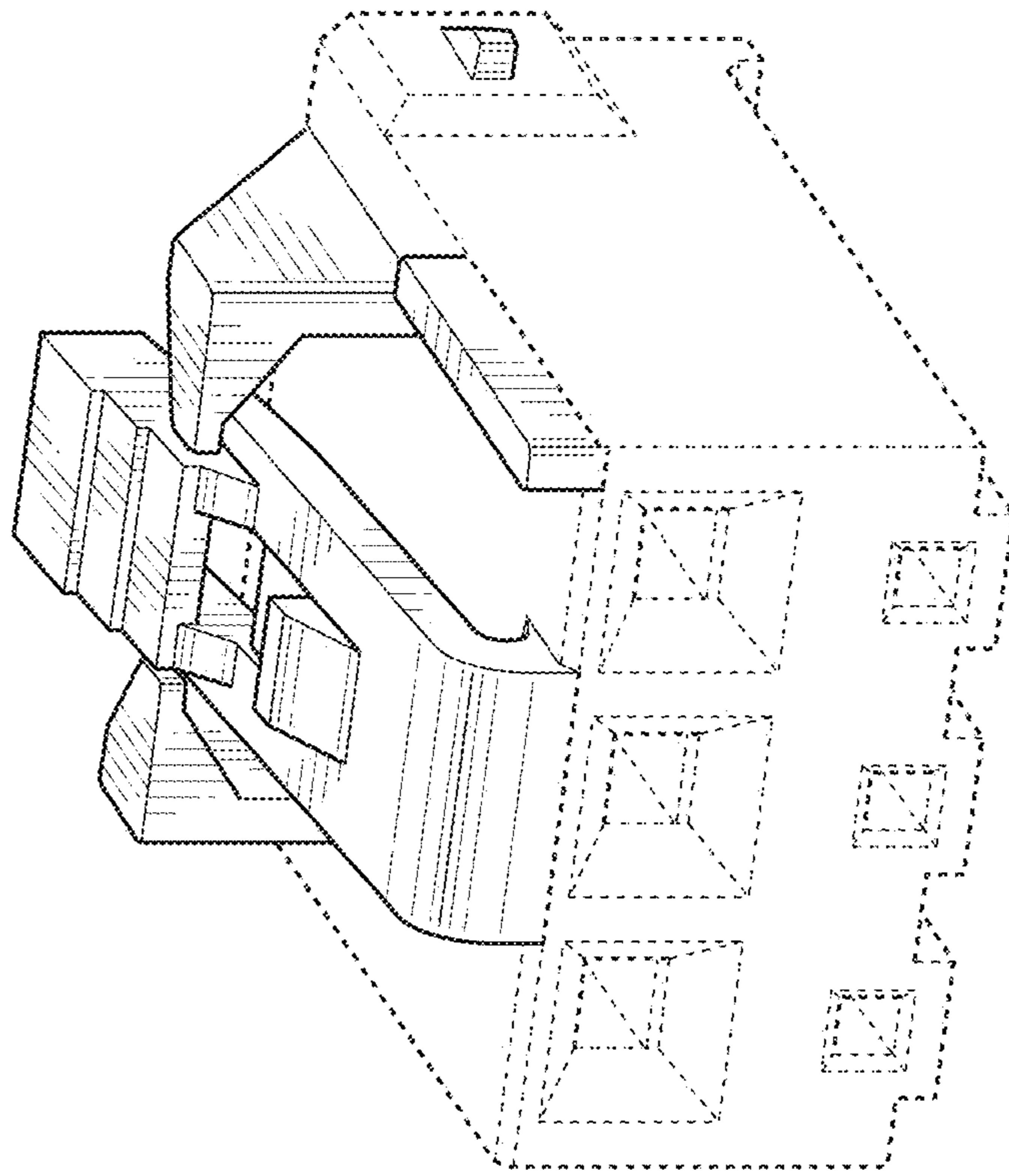


FIG. 10

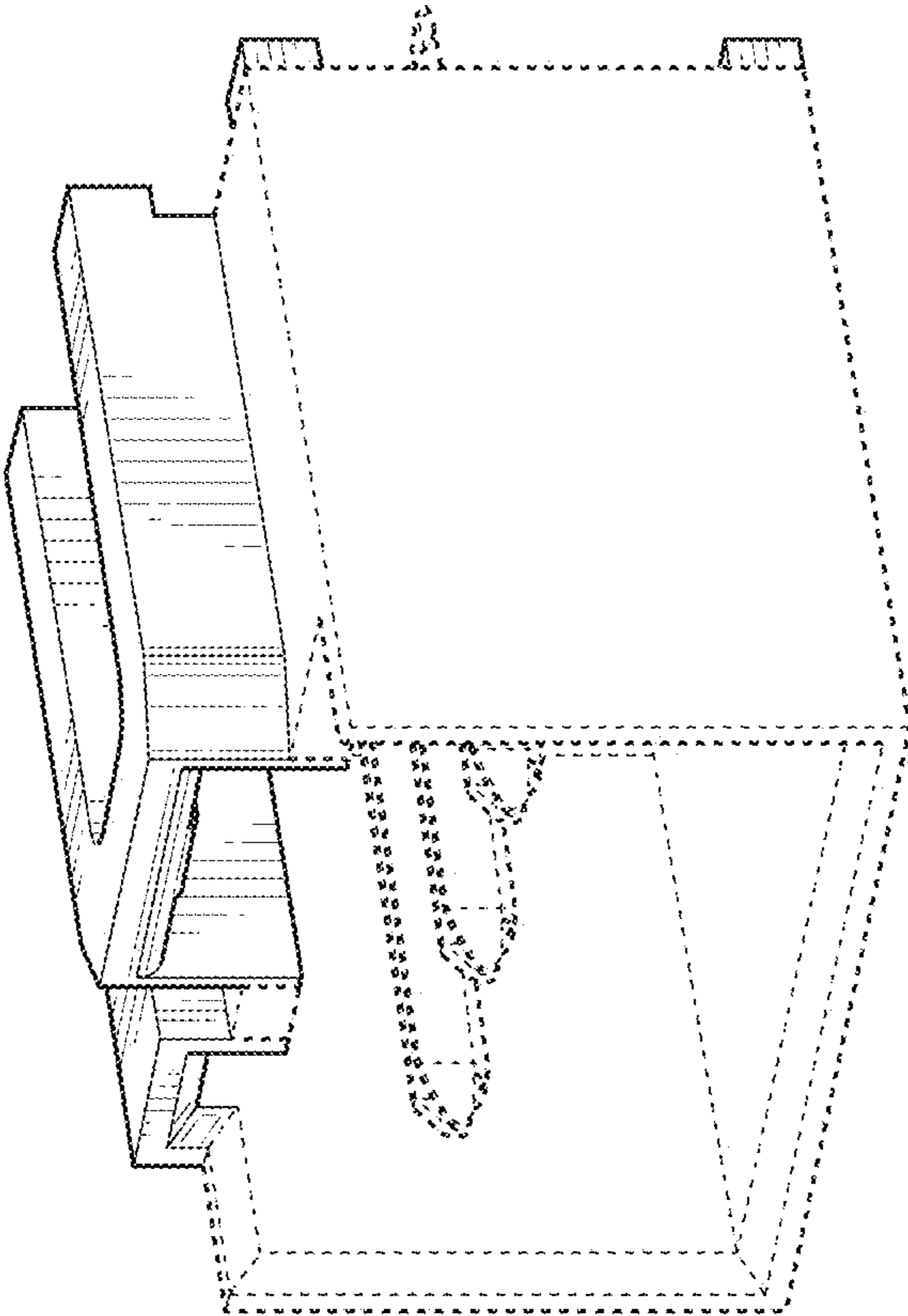


FIG. 11

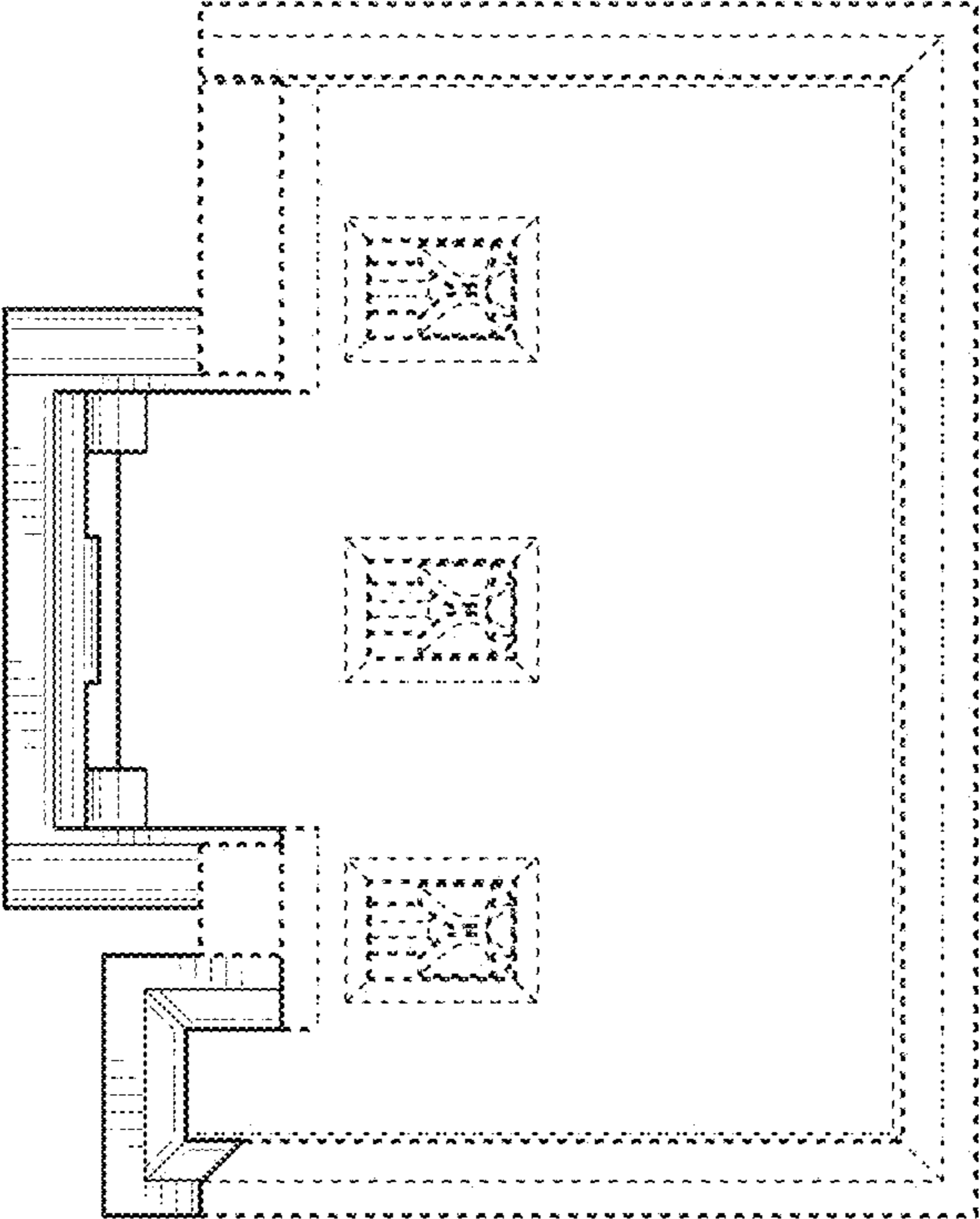


FIG. 12

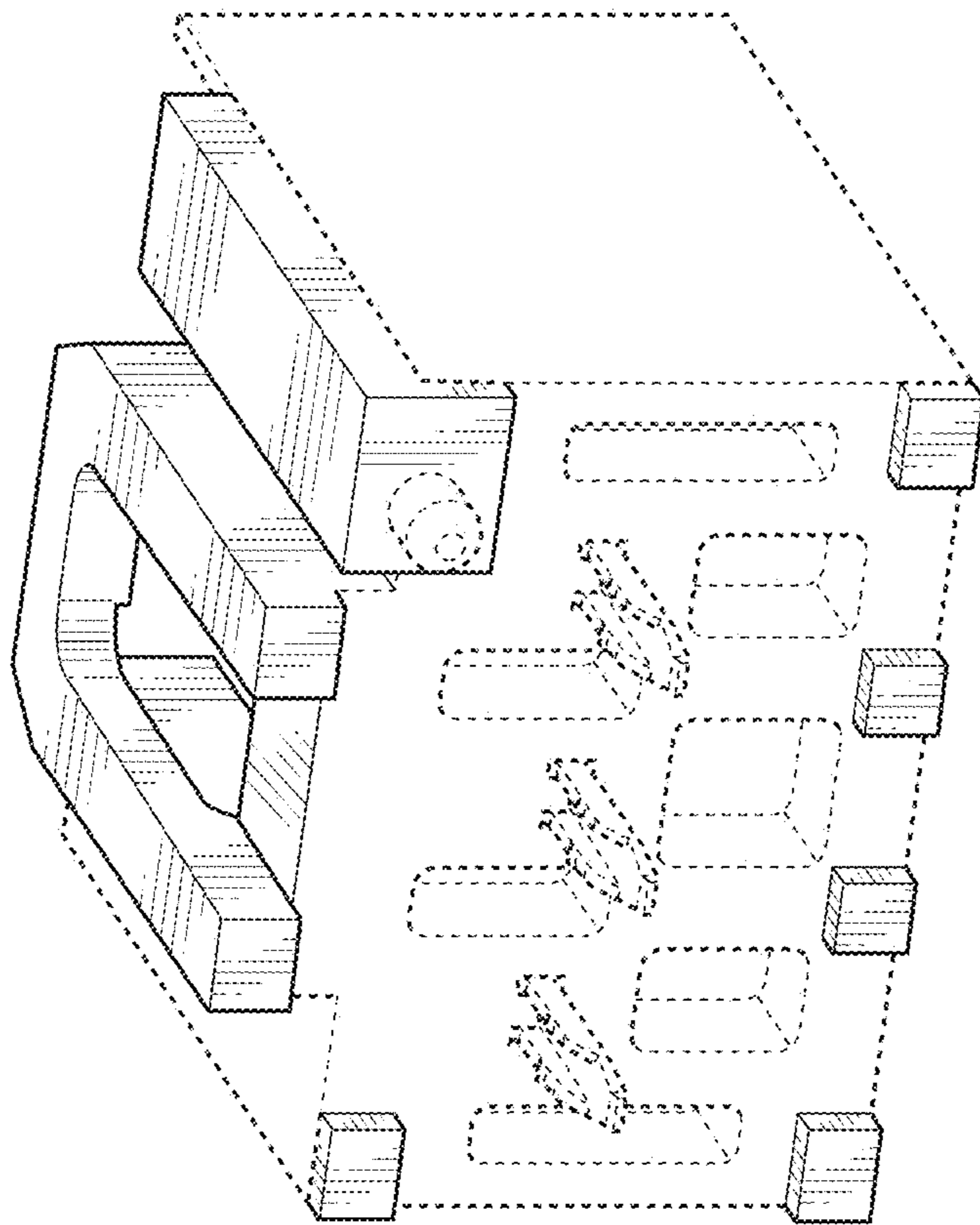


FIG. 13

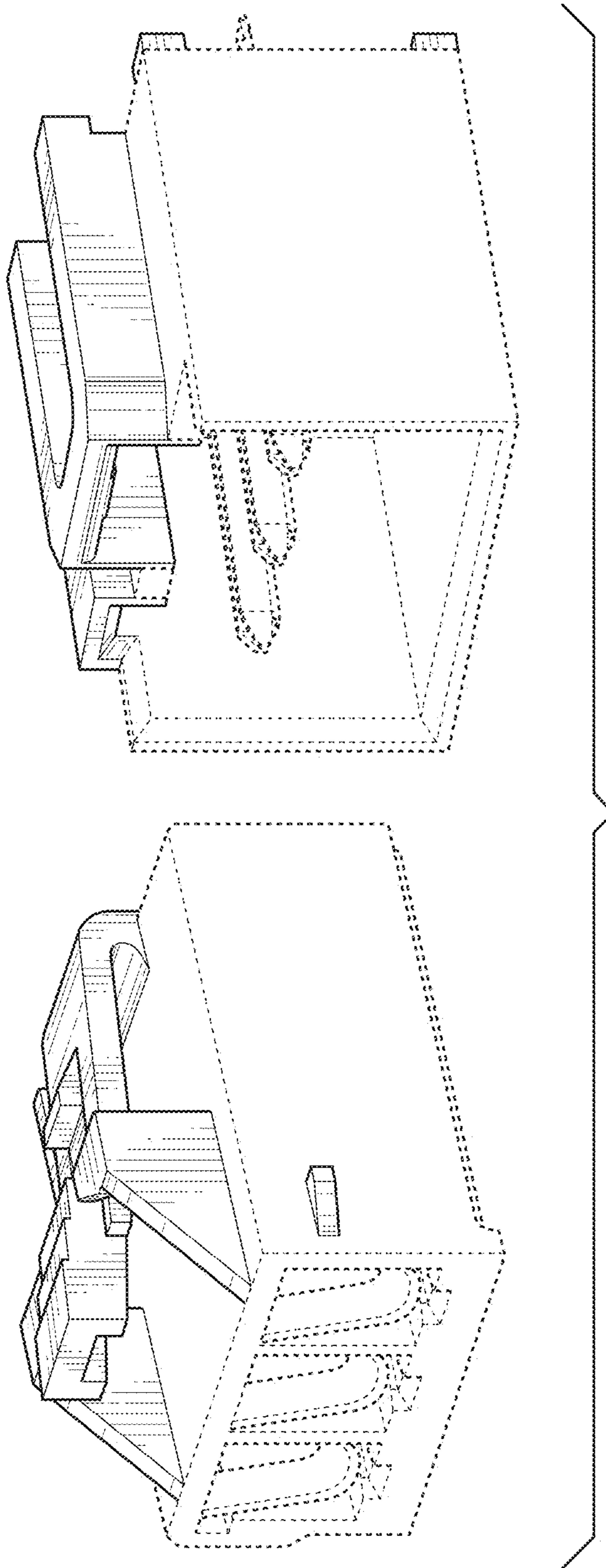


FIG. 14

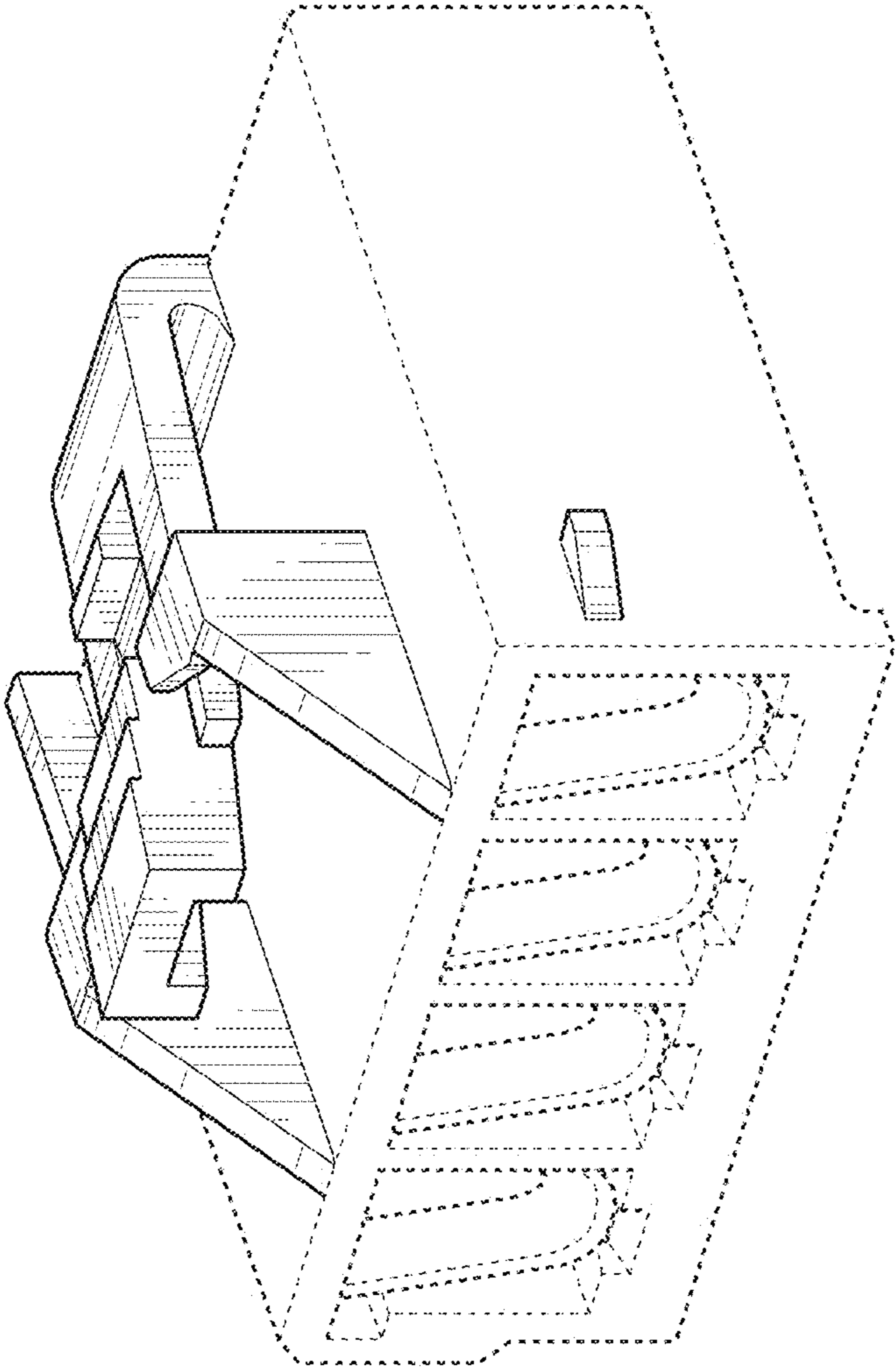


FIG. 15

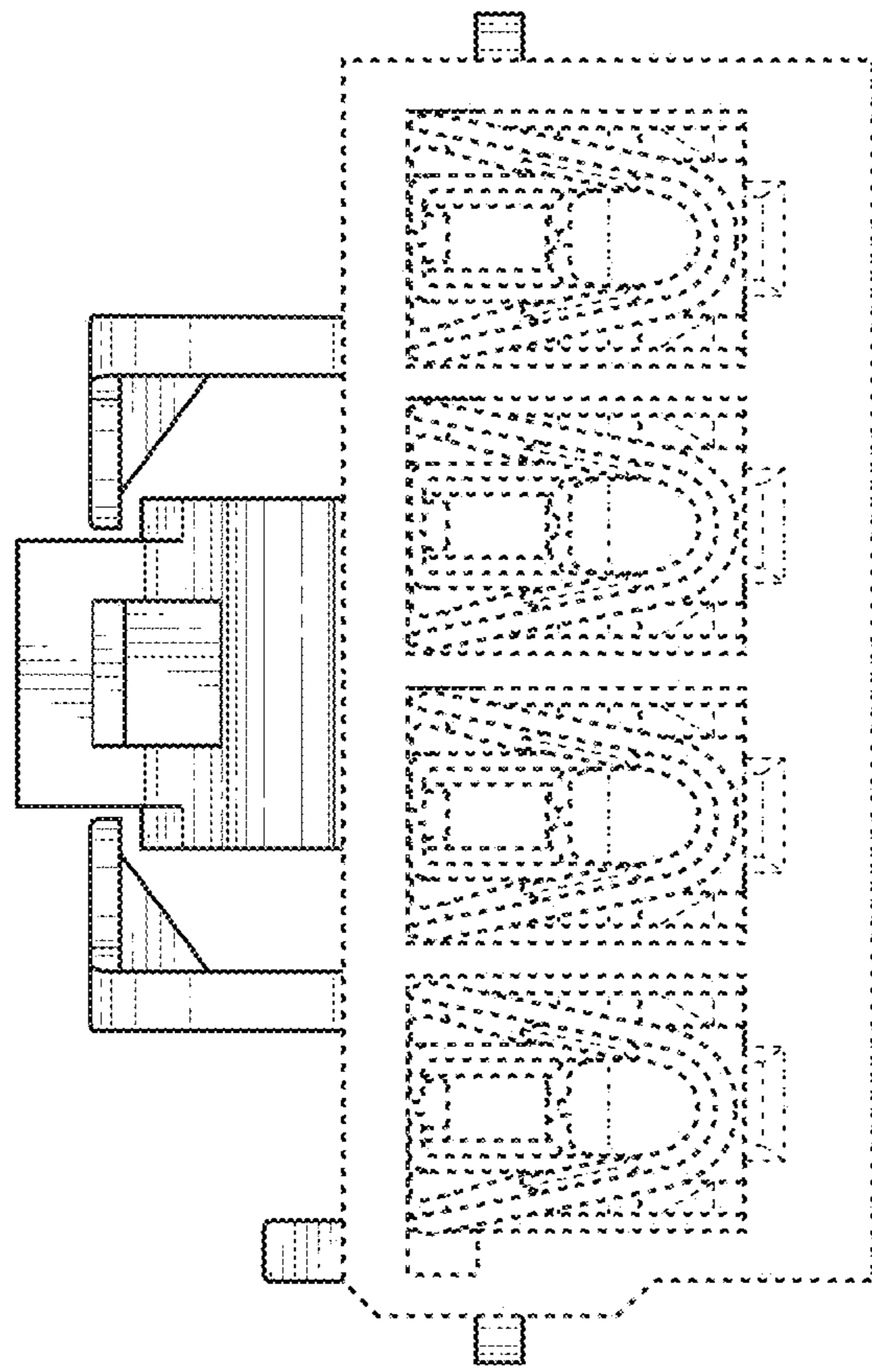


FIG. 16

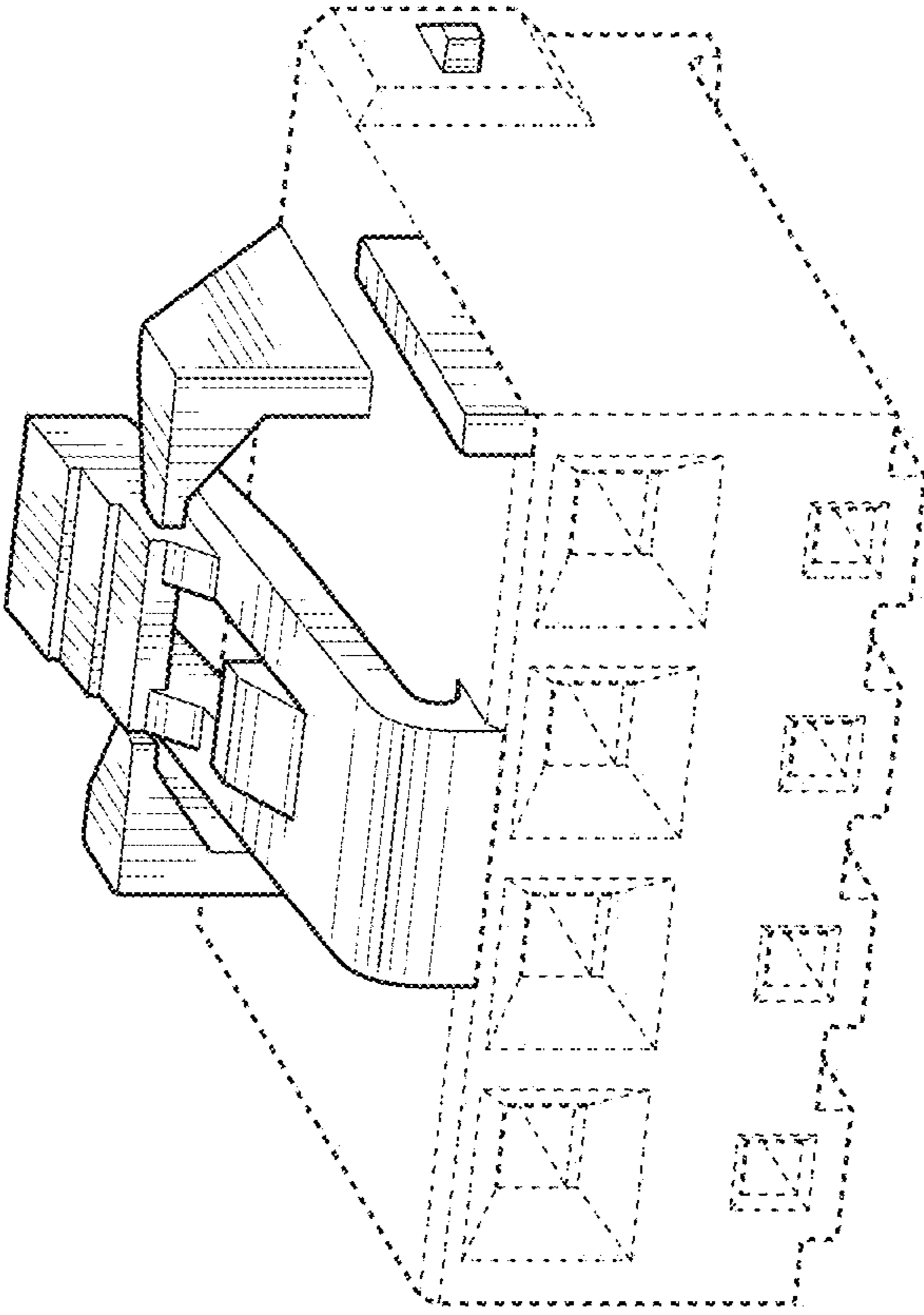


FIG. 17

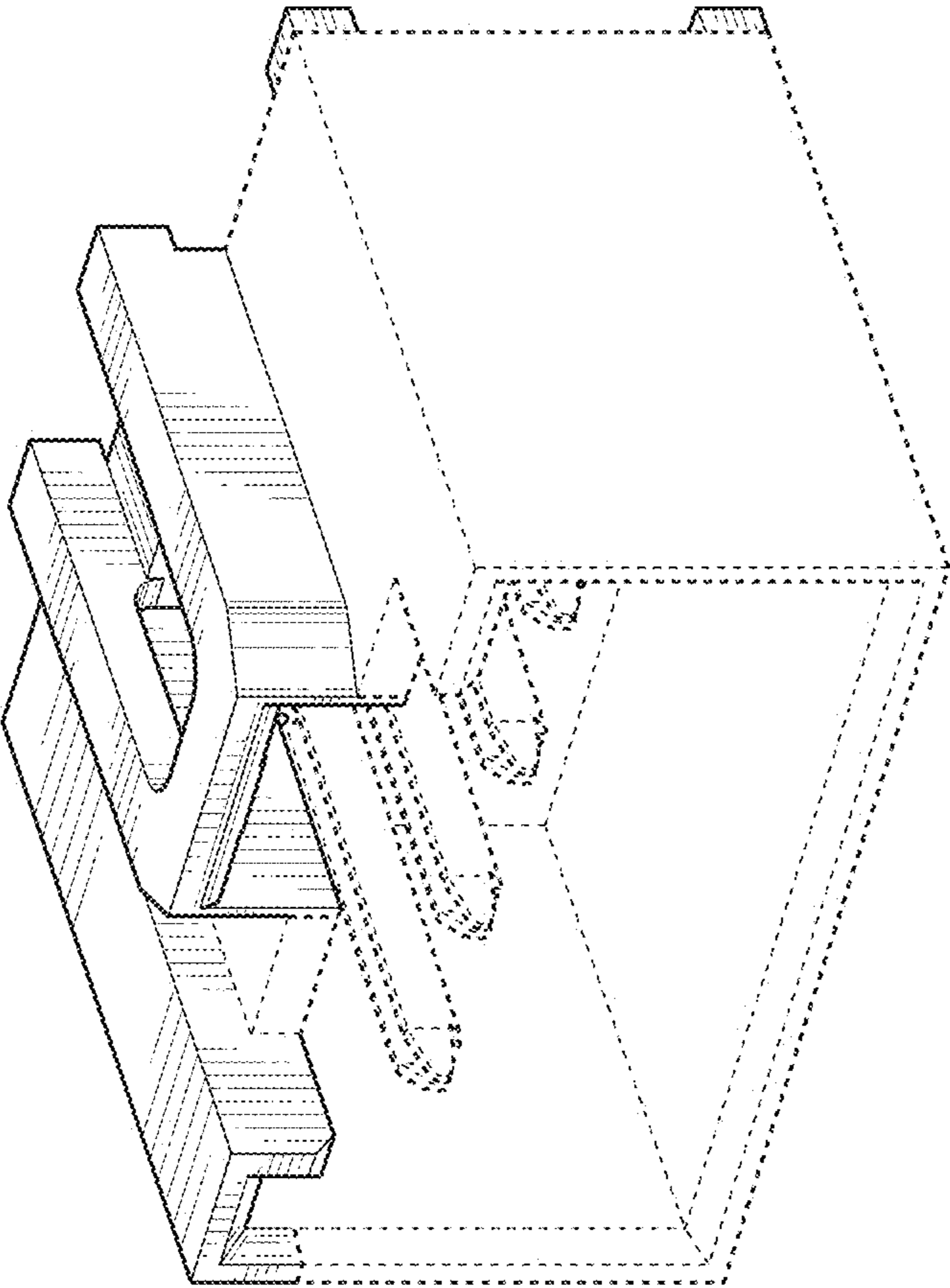


FIG. 18

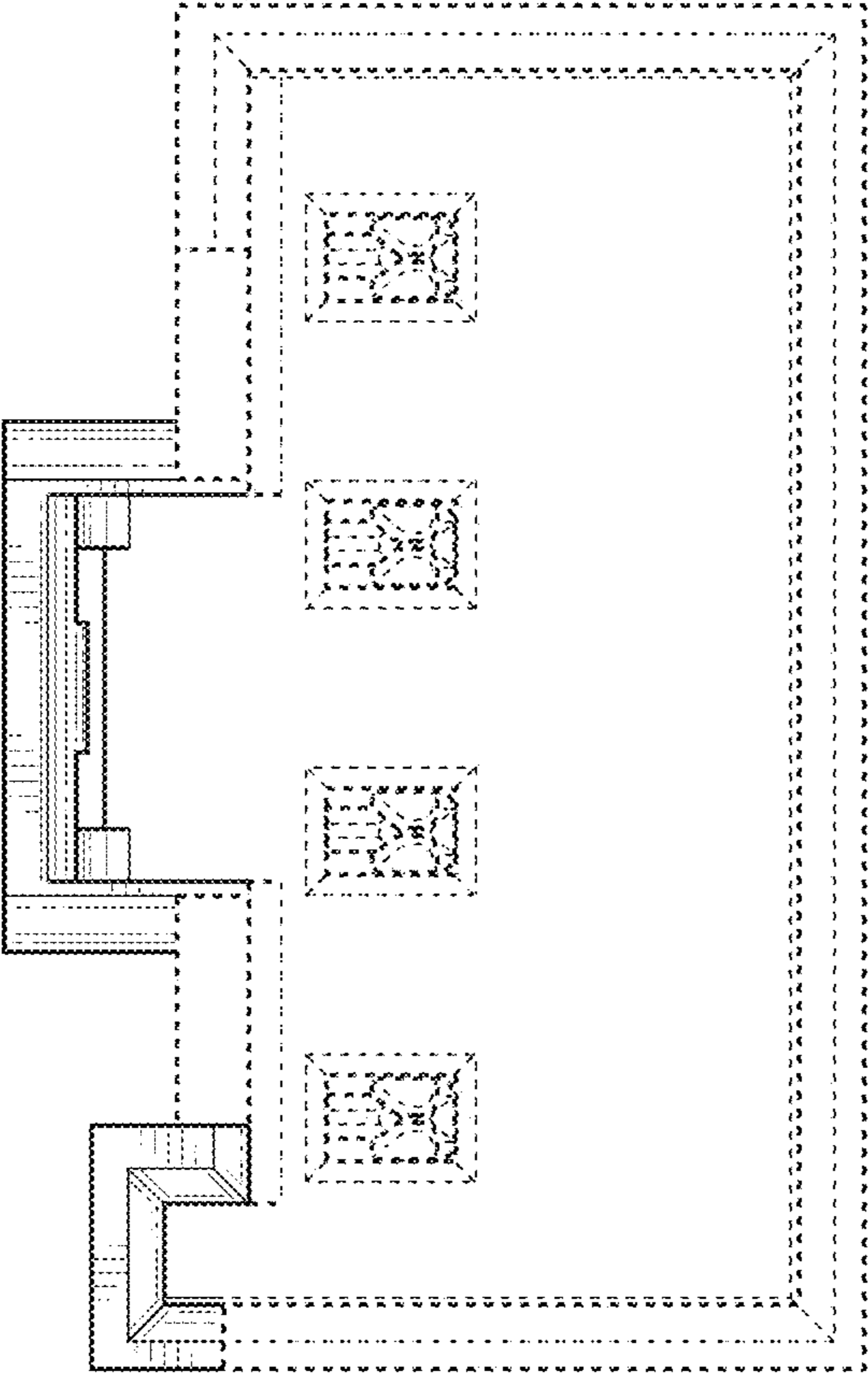


FIG. 19

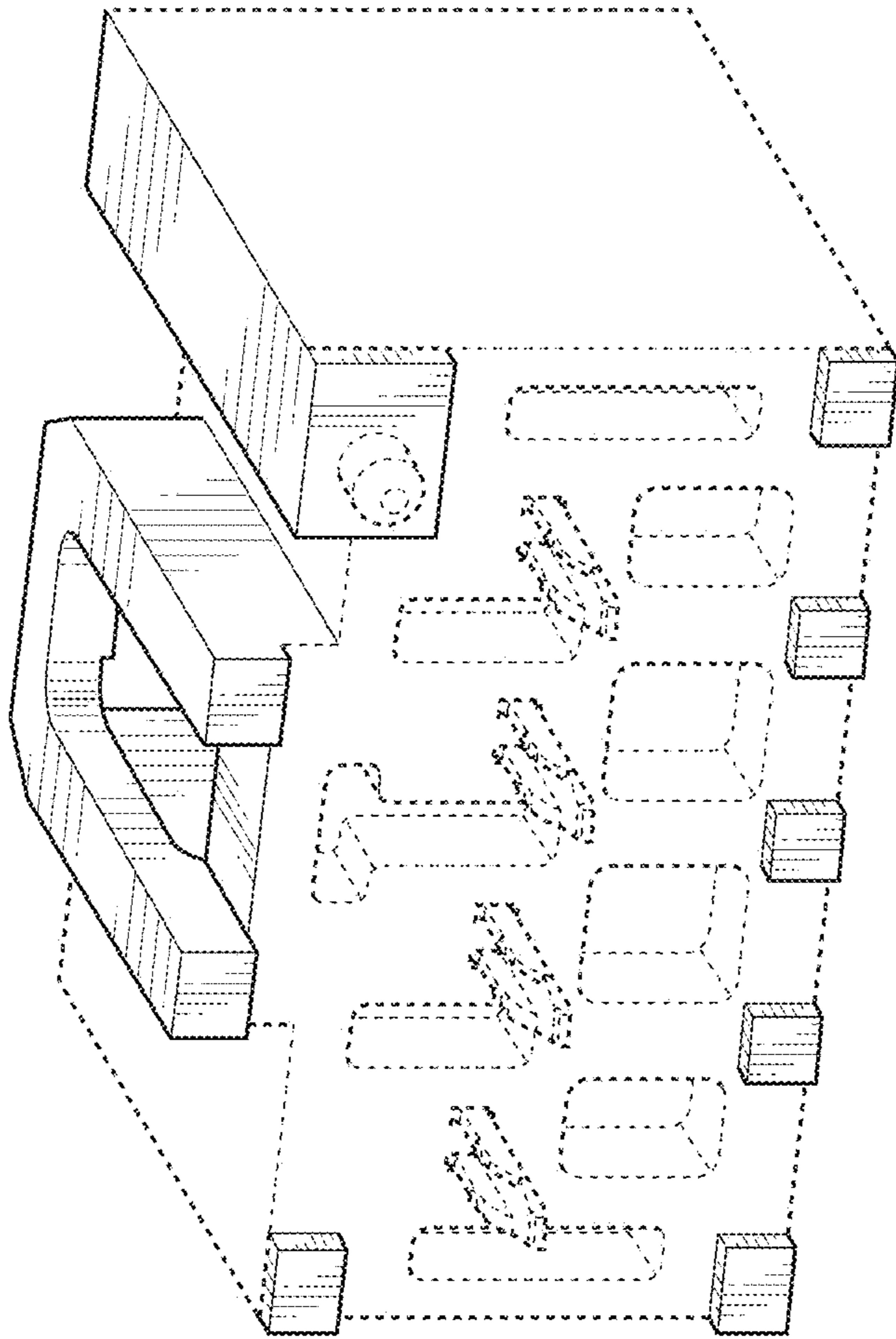


FIG. 20

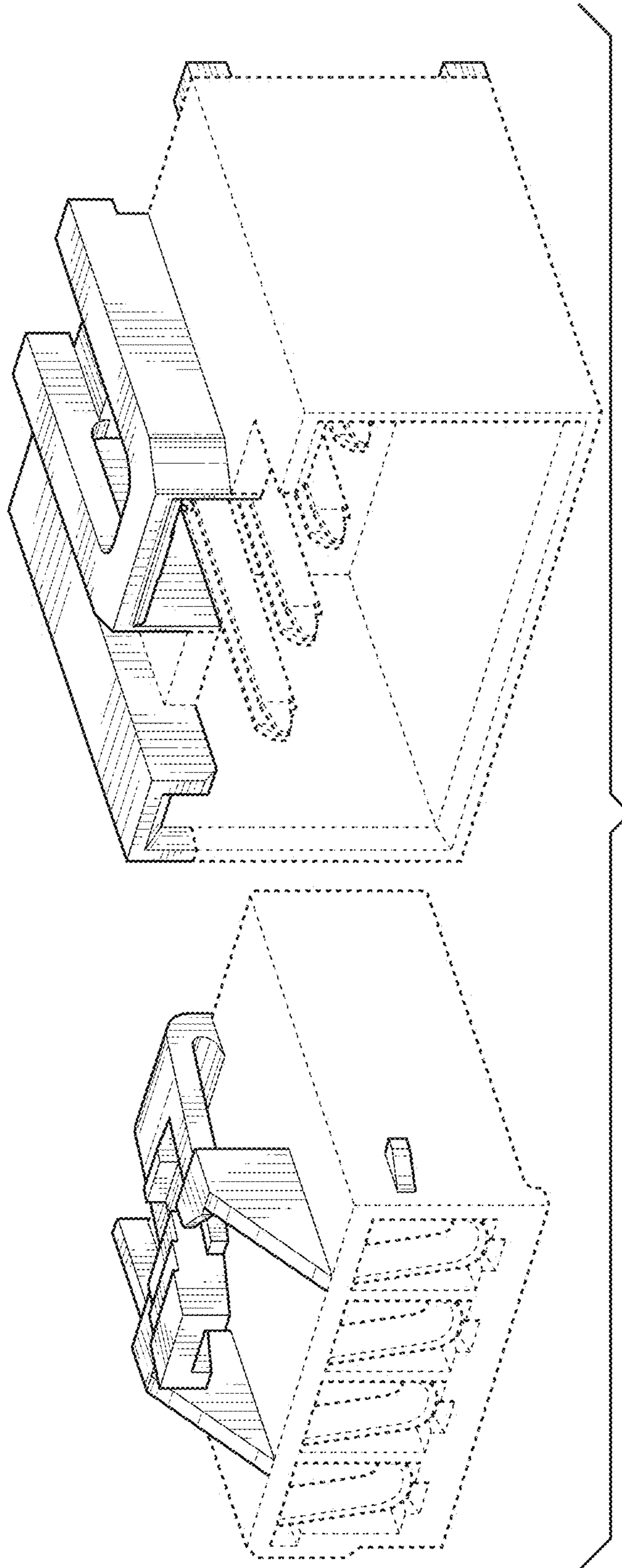


FIG. 21

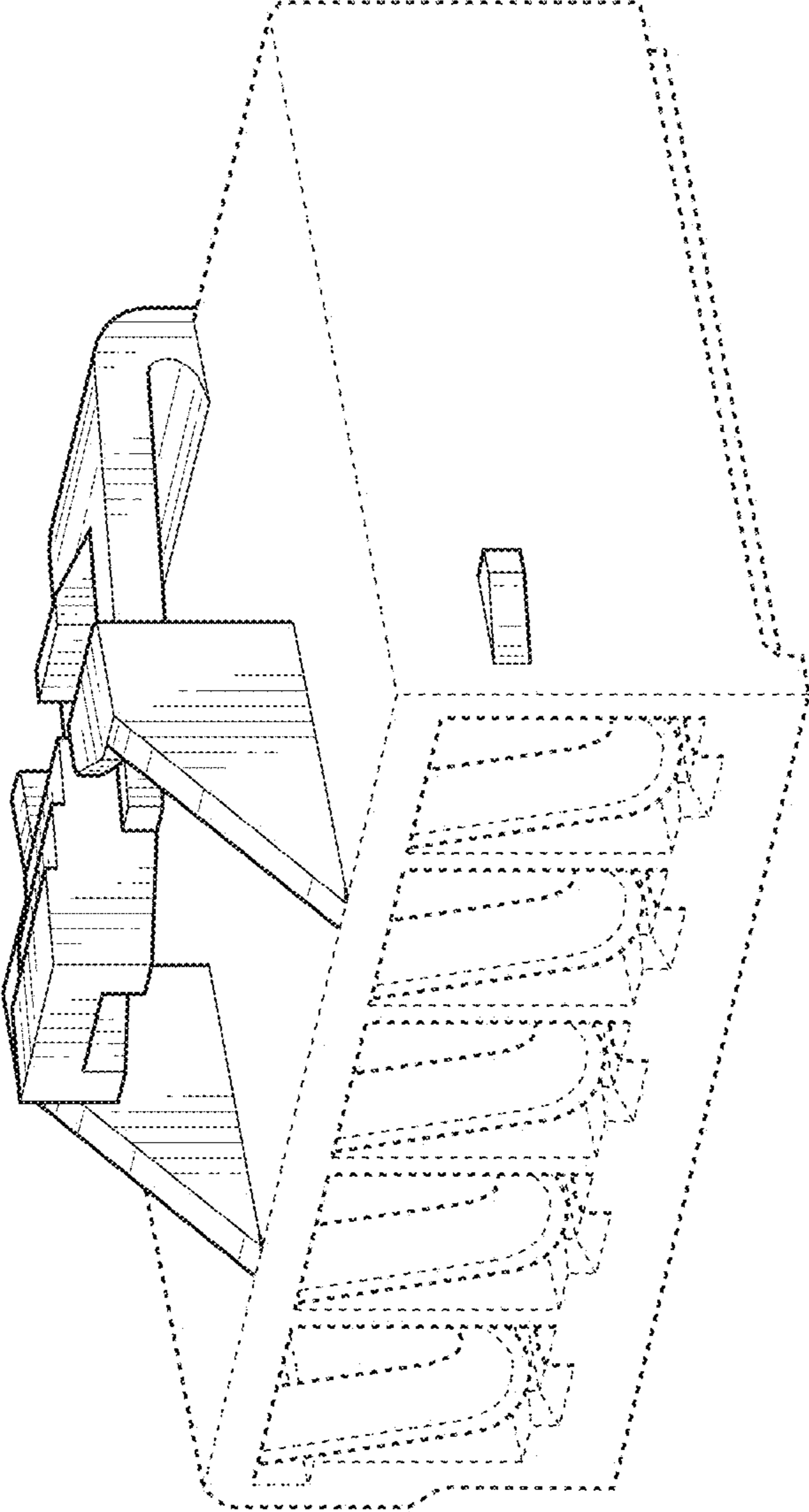


FIG. 22

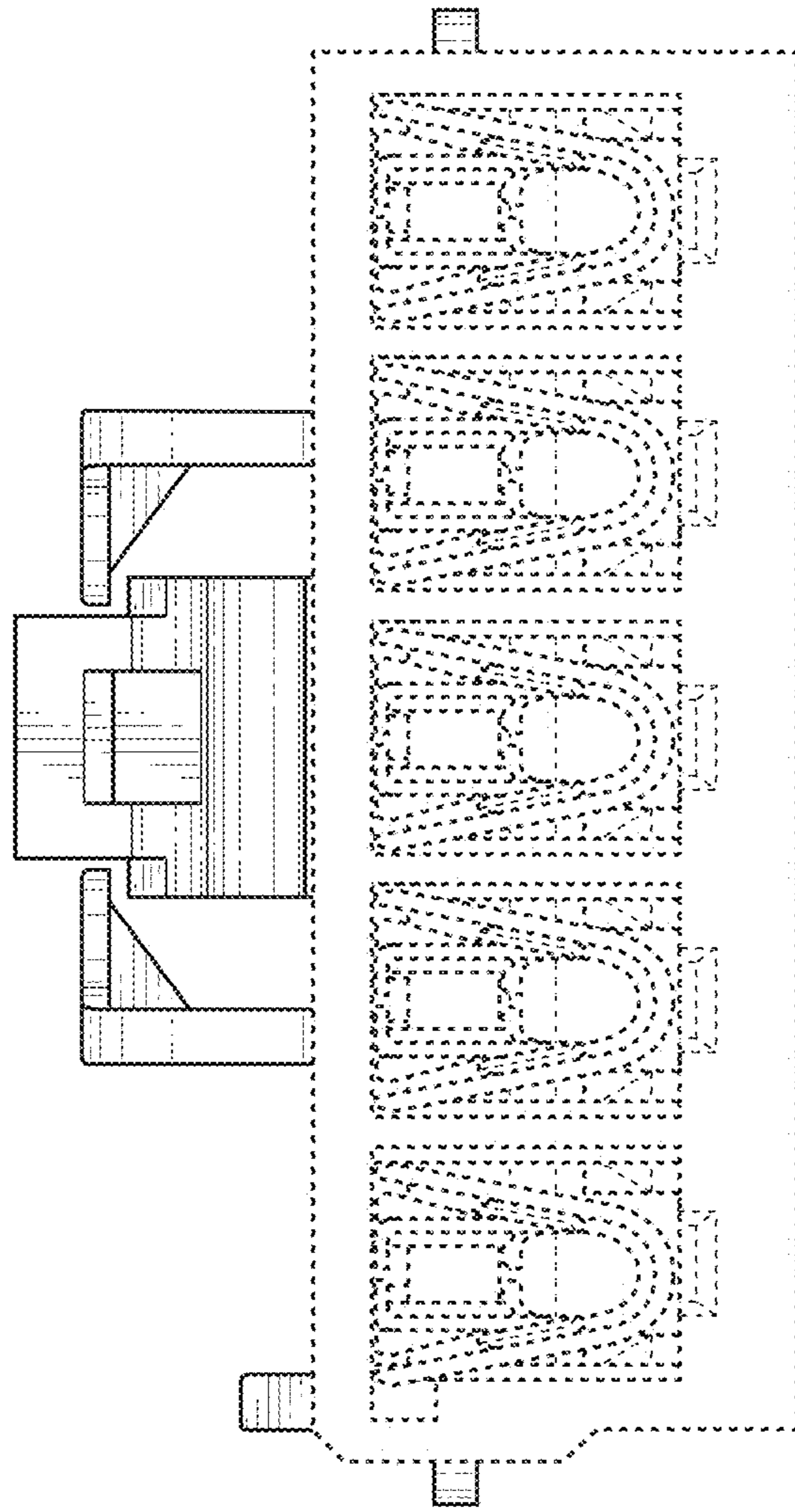


FIG. 23

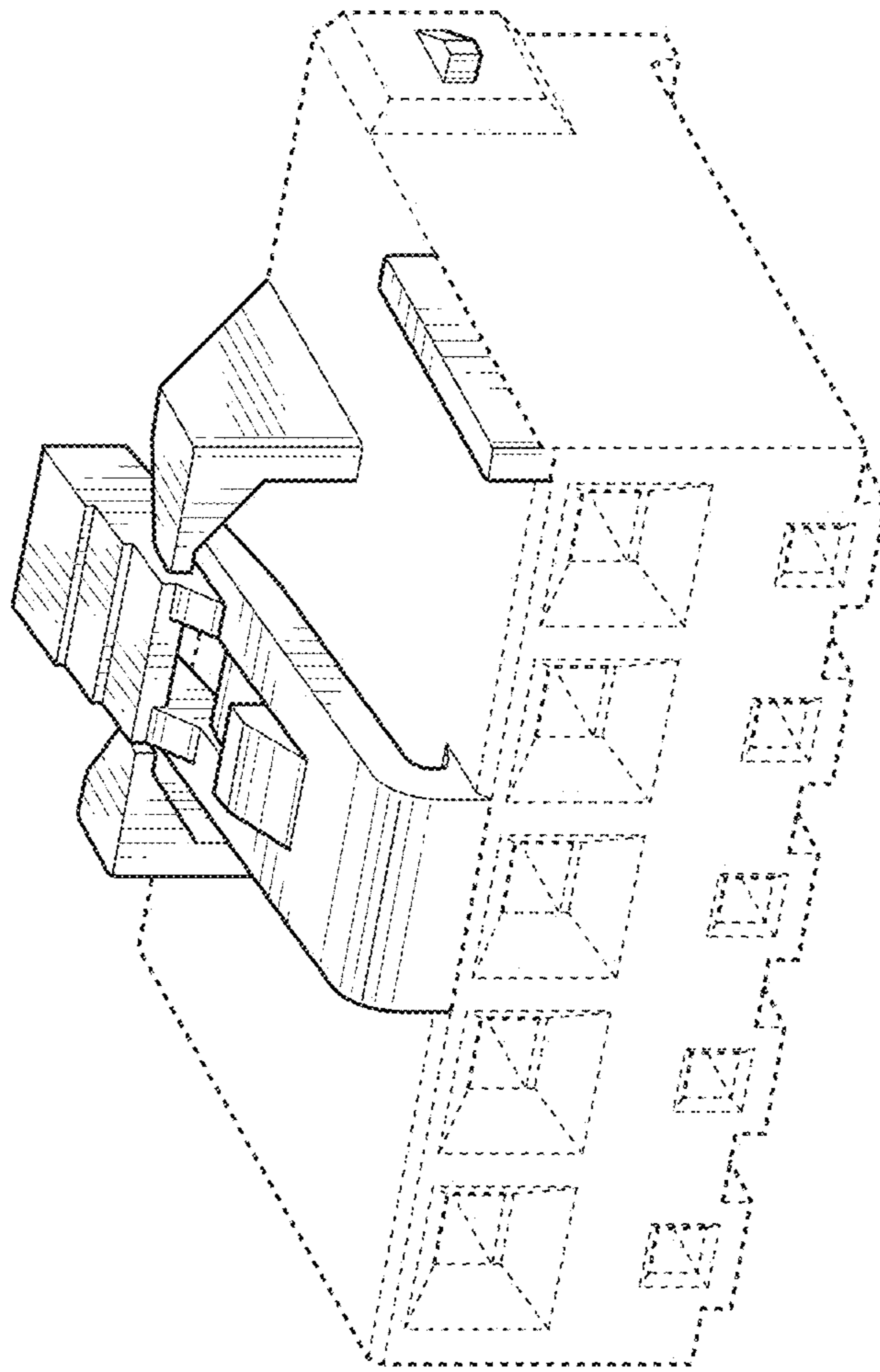


FIG. 24

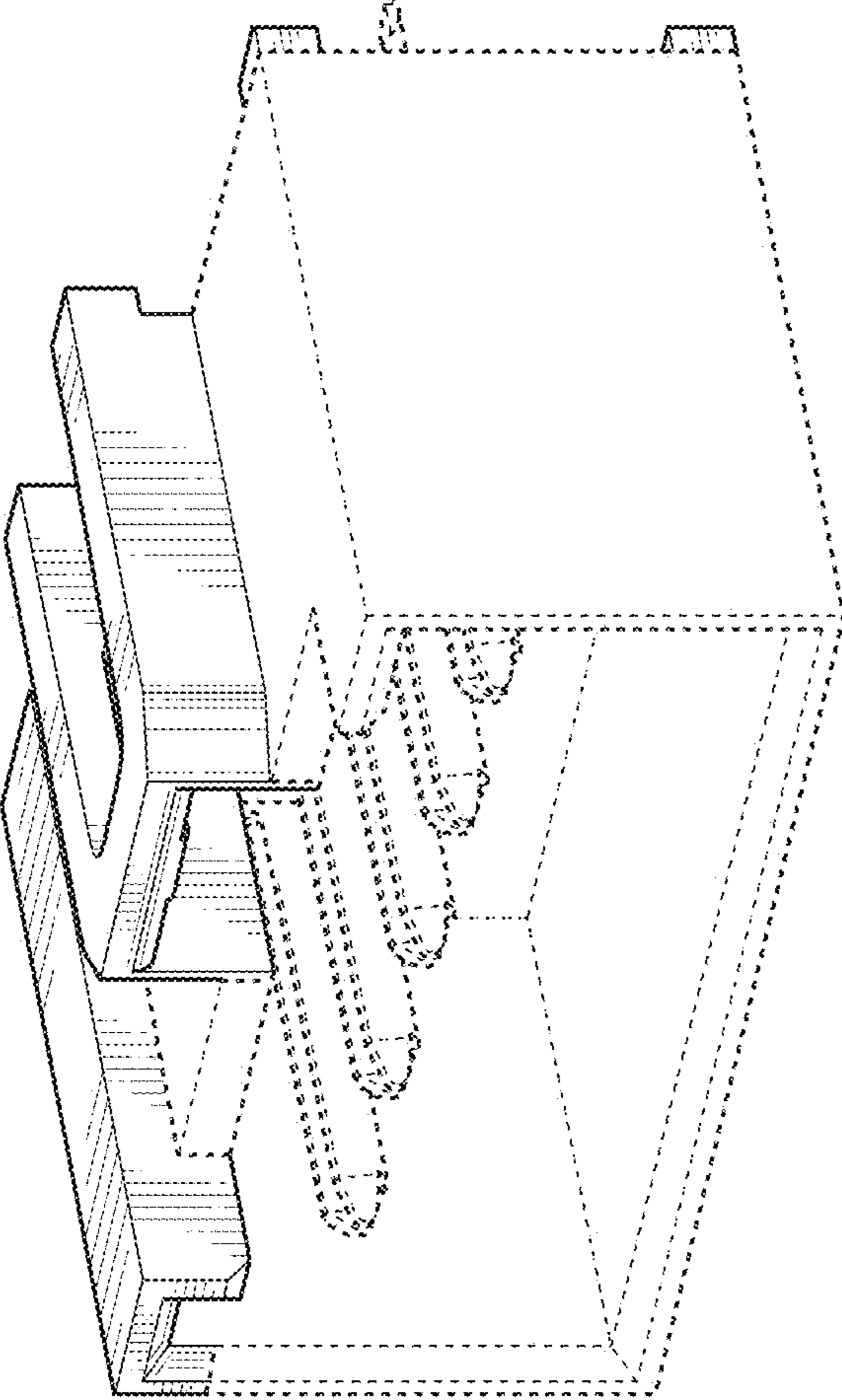


FIG. 25

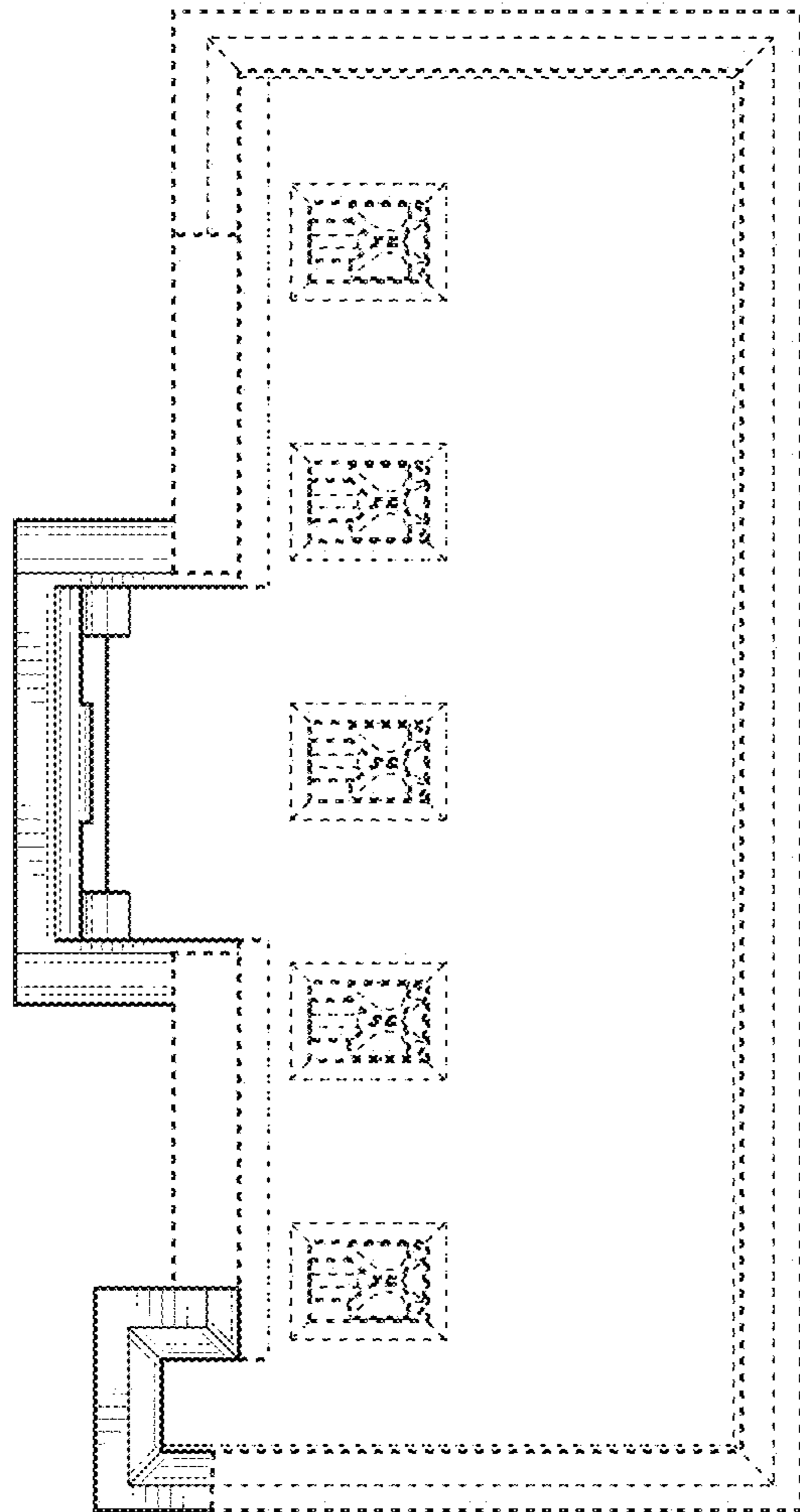


FIG. 26

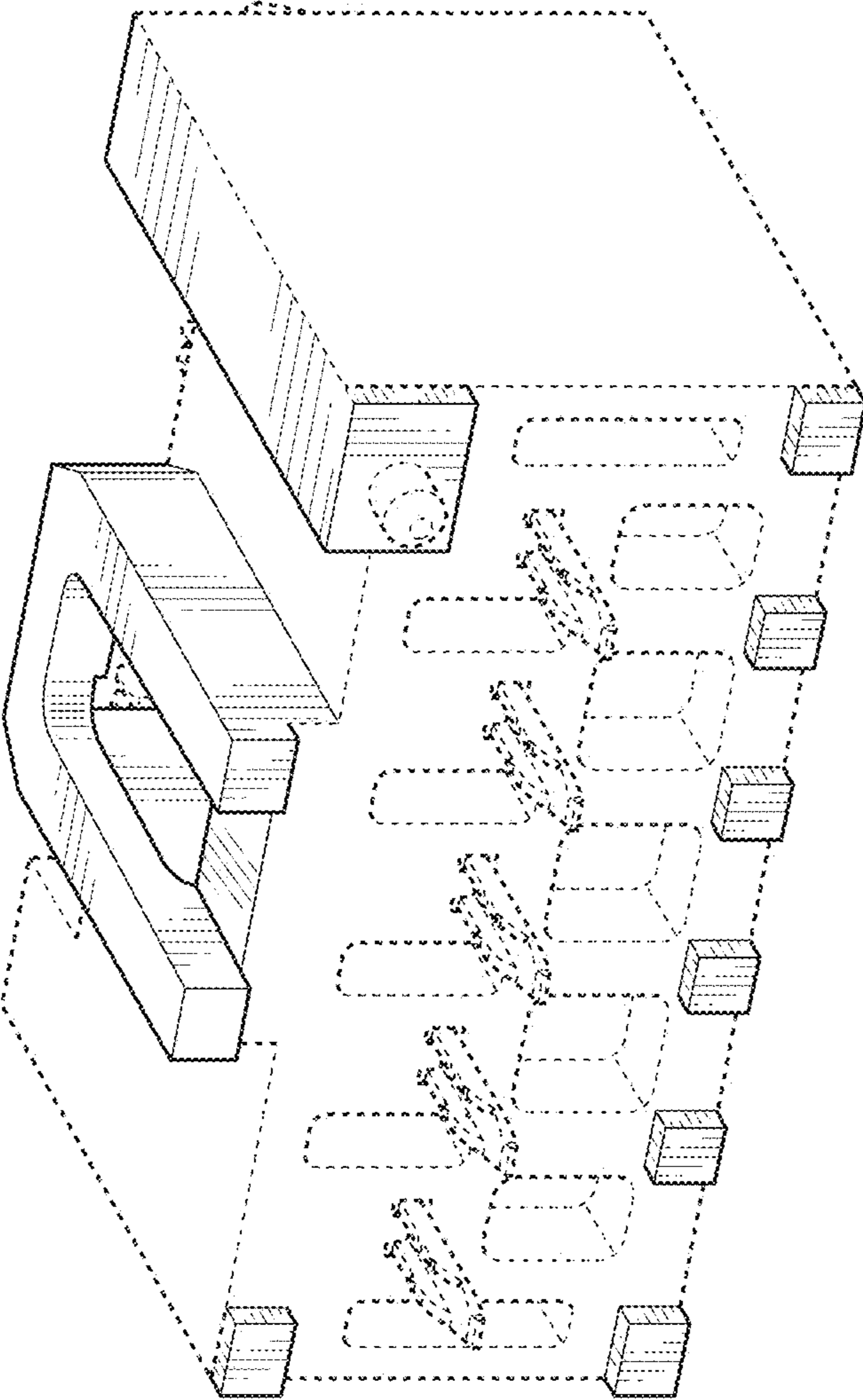


FIG. 27

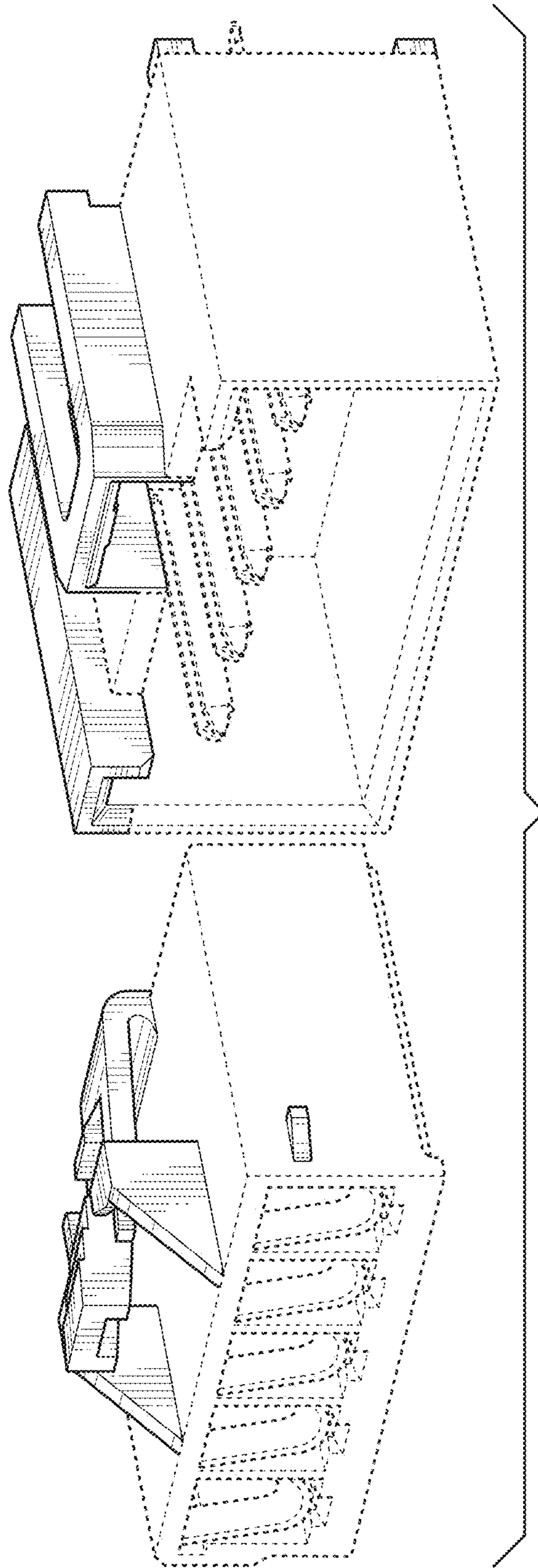


FIG. 28

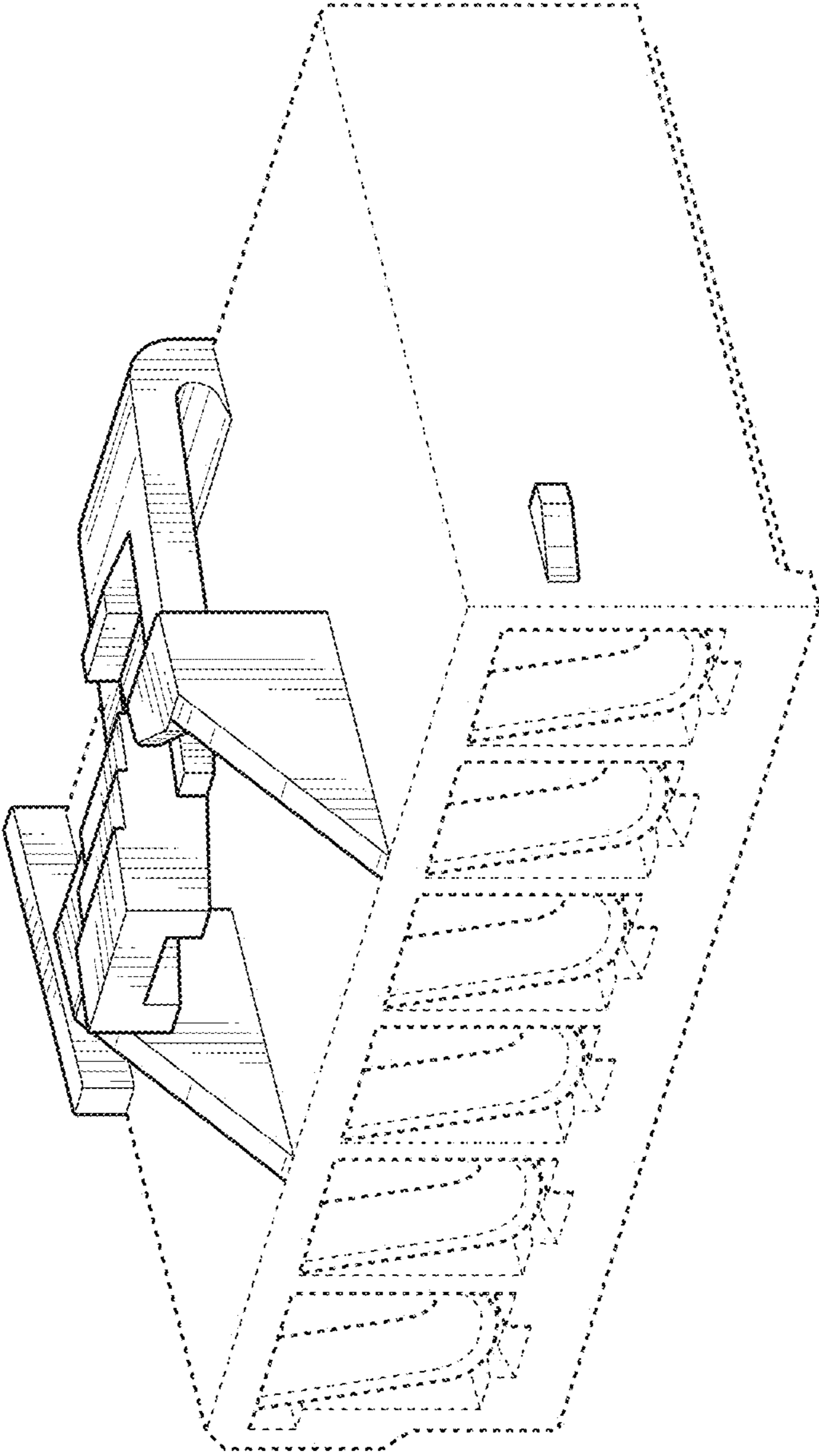


FIG. 29

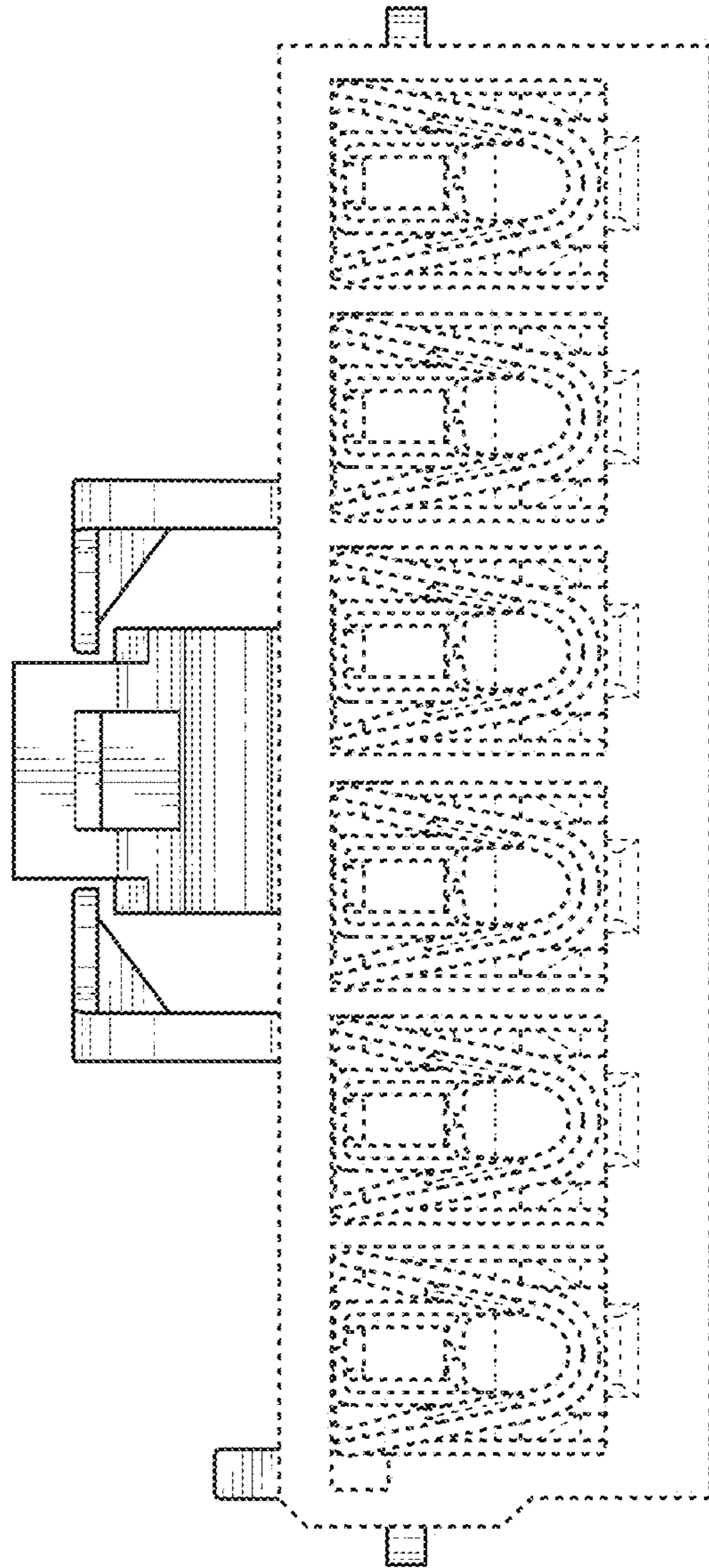


FIG. 30

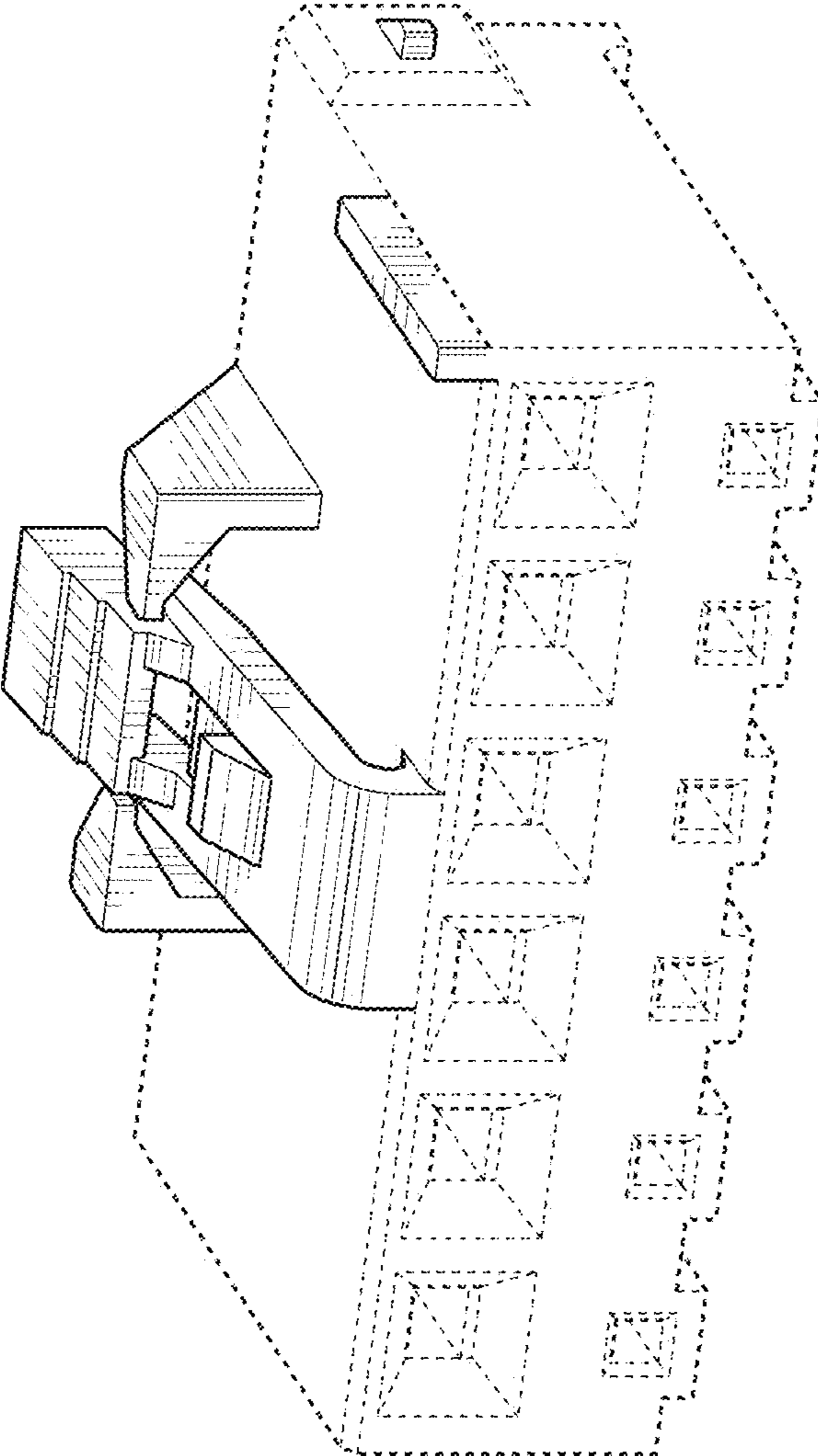


FIG. 31

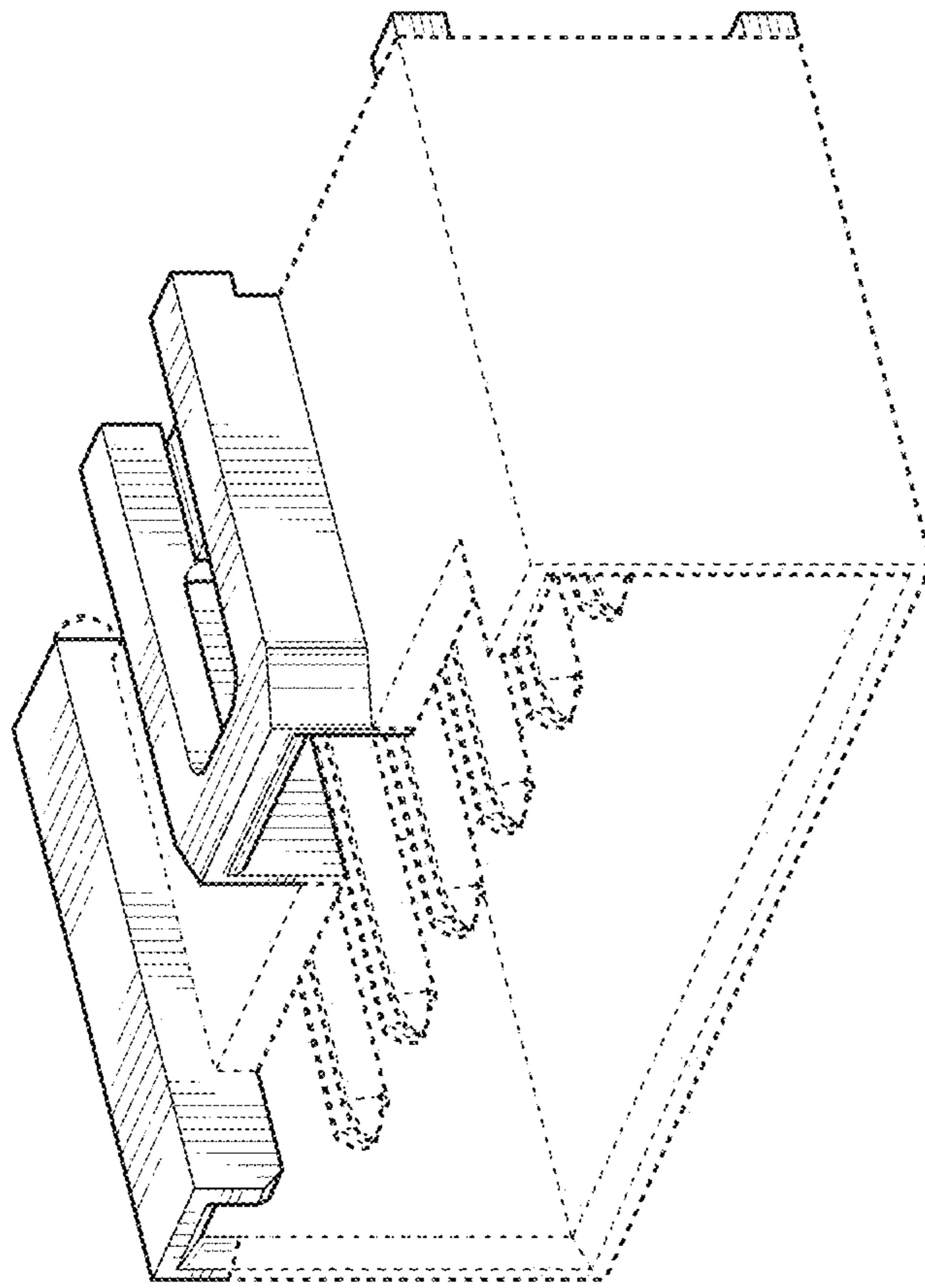


FIG. 32

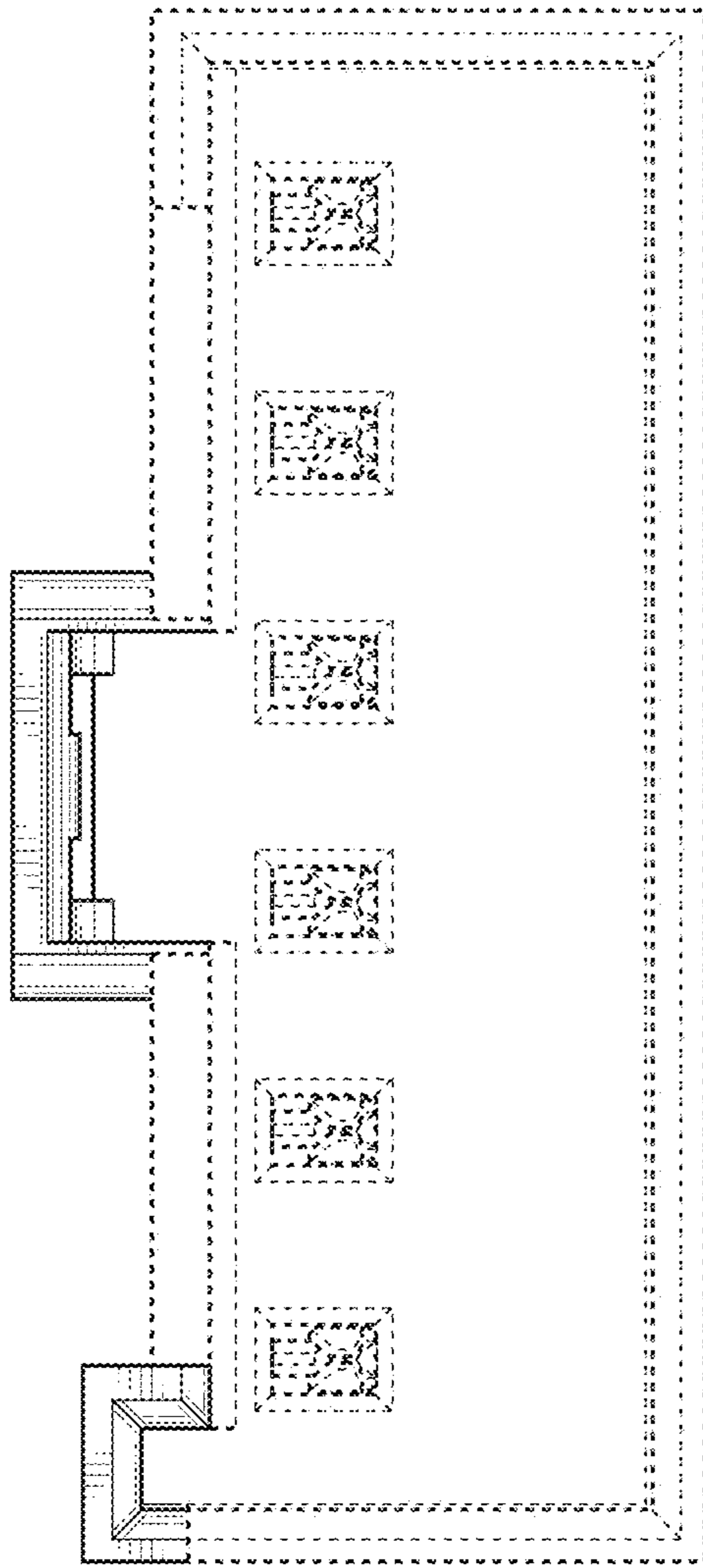


FIG. 33

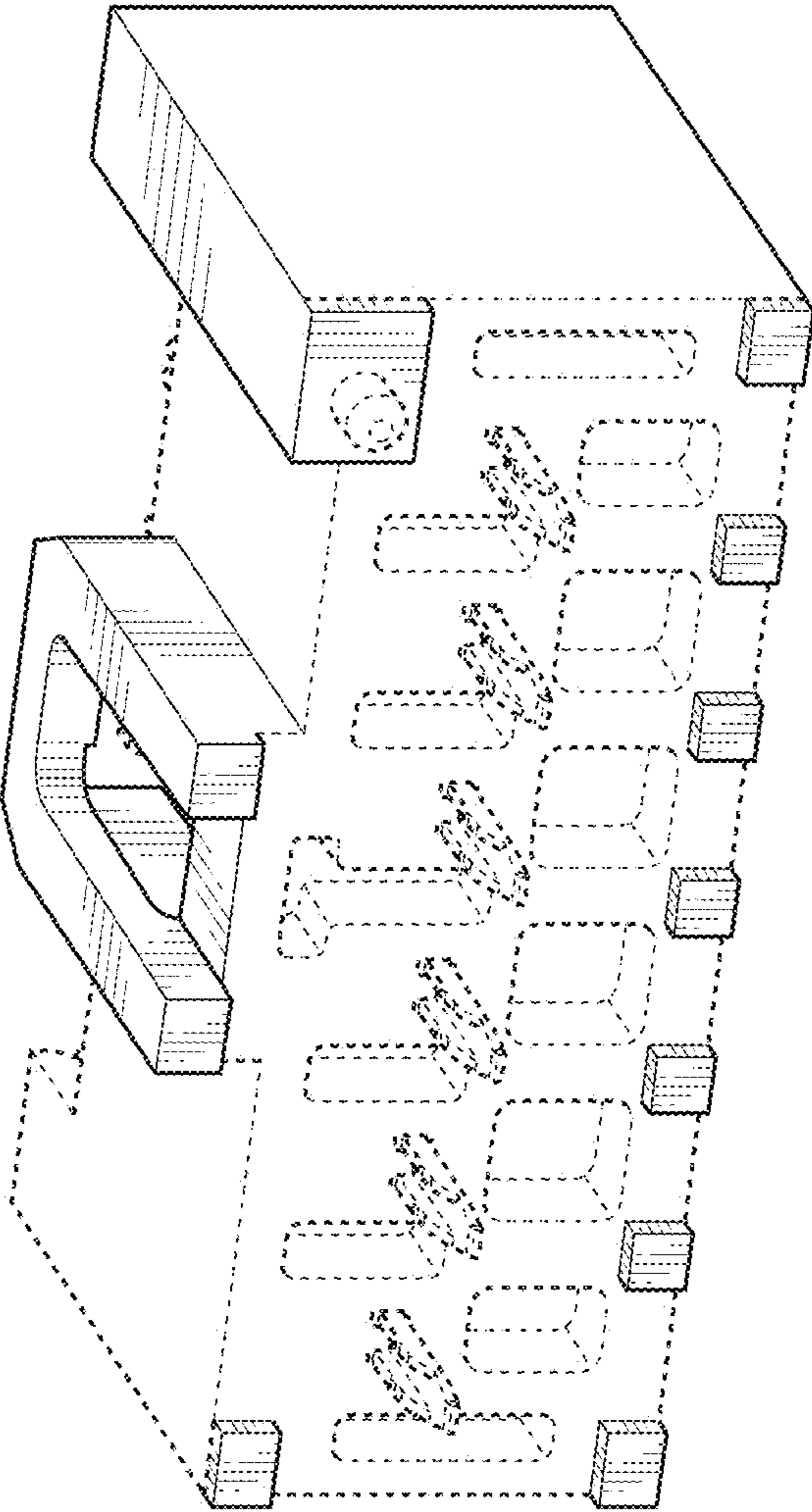


FIG. 34

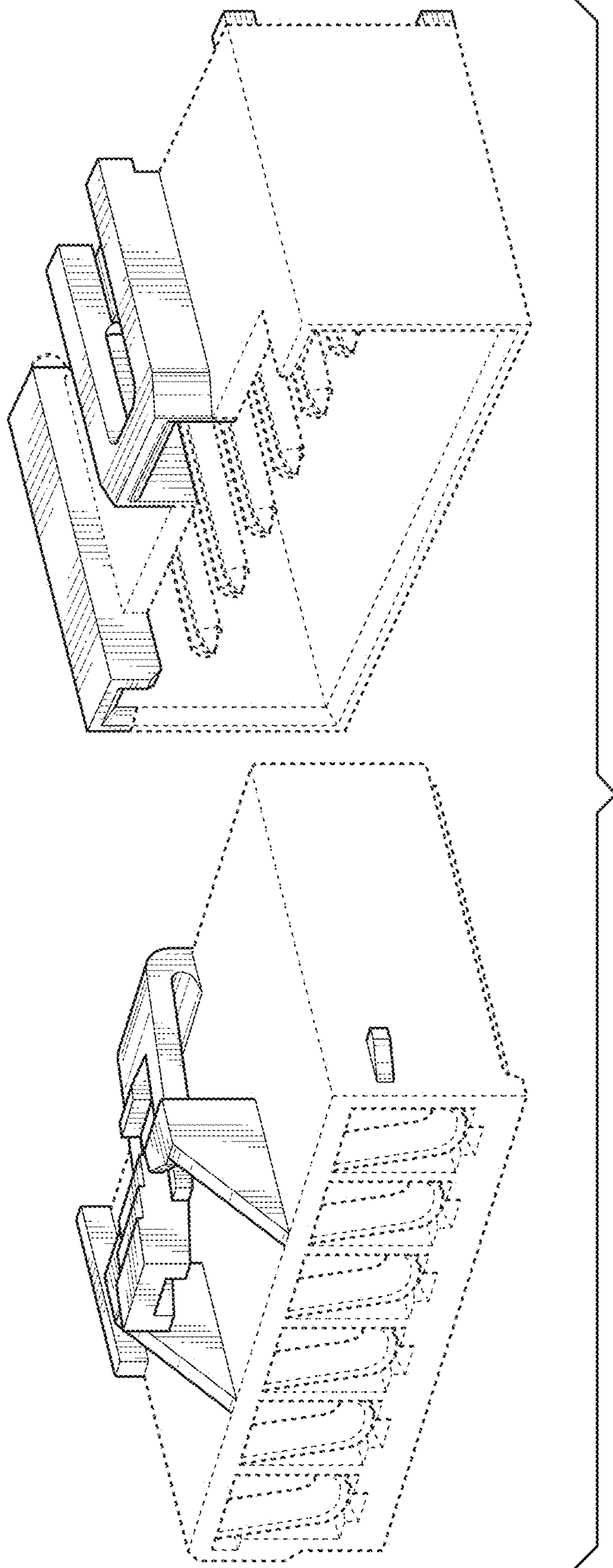


FIG. 35