



US00D906972S

(12) **United States Design Patent** (10) **Patent No.:** **US D906,972 S**
Thyagaraj et al. (45) **Date of Patent:** **** Jan. 5, 2021**

(54) **CONNECTOR**

(71) Applicant: **Molex, LLC**, Lisle, IL (US)

(72) Inventors: **Harsha Thyagaraj**, Bangalore (IN);
Pierre Perez, Aurora, IL (US)

(73) Assignee: **Molex, LLC**, Lisle, IL (US)

(**) Term: **15 Years**

(21) Appl. No.: **29/678,973**

(22) Filed: **Jan. 31, 2019**

(51) **LOC (13) Cl.** **13-03**

(52) **U.S. Cl.**
USPC **D13/133; D13/147**

(58) **Field of Classification Search**
USPC **D13/133, 146, 147, 153, 154, 155, 184,**
D13/199

(Continued)

(56) **References Cited**

U.S. PATENT DOCUMENTS

D425,869 S * 5/2000 Yokomizo D13/147
D585,380 S * 1/2009 So D13/133

(Continued)

FOREIGN PATENT DOCUMENTS

WO 205298-005 * 3/2020

Primary Examiner — Karen E Kearney

Assistant Examiner — Michael Chong

(74) *Attorney, Agent, or Firm* — Banner & Witcoff, Ltd.

(57) **CLAIM**

The ornamental design for a connector, as shown and described.

DESCRIPTION

FIG. 1 is a front right perspective view of a connector showing our new design;

FIG. 2 is a front left perspective view thereof;
FIG. 3 is a front view thereof;
FIG. 4 is a rear view thereof;
FIG. 5 is a right side view thereof;
FIG. 6 is a left side view thereof;
FIG. 7 is a top view thereof;
FIG. 8 is a bottom view thereof;
FIG. 9 is a front right perspective view of an alternate embodiment of the connector showing our new design;
FIG. 10 is a front left perspective view thereof;
FIG. 11 is a front view thereof;
FIG. 12 is a rear view thereof;
FIG. 13 is a right side view thereof;
FIG. 14 is a left side view thereof;
FIG. 15 is a top view thereof;
FIG. 16 is a bottom view thereof;
FIG. 17 is a front right perspective view of an alternate embodiment of the connector showing our new design;
FIG. 18 is a front left perspective view thereof;
FIG. 19 is a front view thereof;
FIG. 20 is a rear view thereof;
FIG. 21 is a right side view thereof;
FIG. 22 is a left side view thereof;
FIG. 23 is a top view thereof;
FIG. 24 is a bottom view thereof;
FIG. 25 is a front right perspective view of an alternate embodiment of the connector showing our new design;
FIG. 26 is a front left perspective view thereof;
FIG. 27 is a front view thereof;
FIG. 28 is a rear view thereof;
FIG. 29 is a right side view thereof;
FIG. 30 is a left side view thereof;
FIG. 31 is a top view thereof;
FIG. 32 is a bottom view thereof;
FIG. 33 is a front right perspective view of an alternate embodiment of the connector showing our new design;
FIG. 34 is a front left perspective view thereof;
FIG. 35 is a front view thereof;
FIG. 36 is a rear view thereof;
FIG. 37 is a right side view thereof;
FIG. 38 is a left side view thereof;
FIG. 39 is a top view thereof;
FIG. 40 is a bottom view thereof;

(Continued)

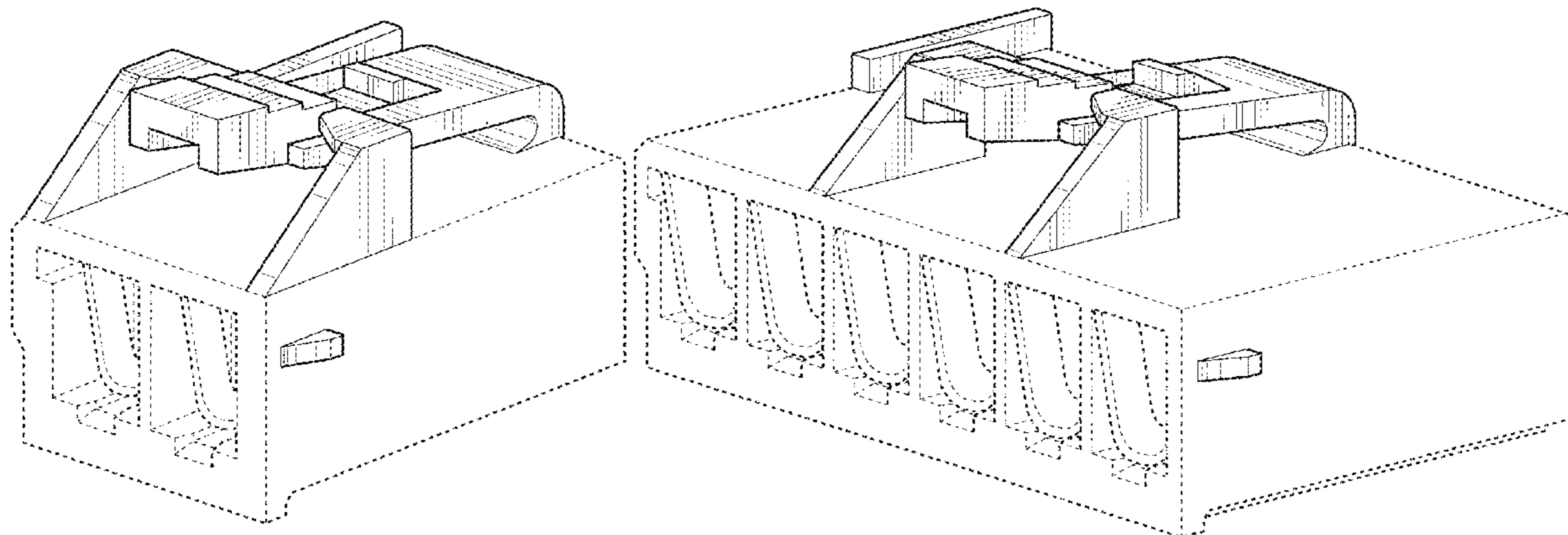


FIG. 41 is a front right perspective view of an alternate embodiment of a connector which is a mirror image of the connector of FIGS. 1-8;
 FIG. 42 is a front left perspective view thereof;
 FIG. 43 is a front view thereof;
 FIG. 44 is a rear view thereof;
 FIG. 45 is a right side view thereof;
 FIG. 46 is a left side view thereof;
 FIG. 47 is a top view thereof;
 FIG. 48 is a bottom view thereof;
 FIG. 49 is a front right perspective view of an alternate embodiment of a connector which is a mirror image of the connector of FIGS. 9-16;
 FIG. 50 is a front left perspective view thereof;
 FIG. 51 is a front view thereof;
 FIG. 52 is a rear view thereof;
 FIG. 53 is a right side view thereof;
 FIG. 54 is a left side view thereof;
 FIG. 55 is a top view thereof;
 FIG. 56 is a bottom view thereof;
 FIG. 57 is a front right perspective view of an alternate embodiment of a connector which is a mirror image of the connector of FIGS. 17-24;
 FIG. 58 is a front left perspective view thereof;
 FIG. 59 is a front view thereof;
 FIG. 60 is a rear view thereof;
 FIG. 61 is a right side view thereof;
 FIG. 62 is a left side view thereof;
 FIG. 63 is a top view thereof;
 FIG. 64 is a bottom view thereof;
 FIG. 65 is a front right perspective view of an alternate embodiment of a connector which is a mirror image of the connector of FIGS. 25-32;
 FIG. 66 is a front left perspective view thereof;
 FIG. 67 is a front view thereof;
 FIG. 68 is a rear view thereof;
 FIG. 69 is a right side view thereof;
 FIG. 70 is a left side view thereof;
 FIG. 71 is a top view thereof;

FIG. 72 is a bottom view thereof;
 FIG. 73 is a front right perspective view of an alternate embodiment of a connector which is a mirror image of the connector of FIGS. 33-40;
 FIG. 74 is a front left perspective view thereof;
 FIG. 75 is a front view thereof;
 FIG. 76 is a rear view thereof;
 FIG. 77 is a right side view thereof;
 FIG. 78 is a left side view thereof;
 FIG. 79 is a top view thereof; and,
 FIG. 80 is a bottom view thereof.

The broken lines depicting the remainder of the connector show features that form no part of the claimed design. The broken lines immediately adjacent to the shaded areas represent the bounds of the claimed design and form no part thereof.

1 Claim, 45 Drawing Sheets

(58) **Field of Classification Search**

CPC H01R 13/02; H01R 13/436; H01R 13/502;
 H01R 13/504; H01R 13/506; H01R
 13/58; H01R 13/627; H01R 13/6315;
 H01R 13/6586

See application file for complete search history.

(56) **References Cited**

U.S. PATENT DOCUMENTS

D594,824	S	*	6/2009	Mase	D13/147
D637,970	S	*	5/2011	Canning	D13/154
D637,971	S	*	5/2011	Canning	D13/154
D650,744	S	*	12/2011	Smith	D13/133
D655,677	S	*	3/2012	Gouhl	D13/146
D748,580	S	*	2/2016	Endo	D13/146
D748,588	S	*	2/2016	Endo	D13/147
D791,082	S		7/2017	Li et al.		
D791,705	S		7/2017	Li et al.		
D875,047	S	*	2/2020	Hu	D13/133

* cited by examiner

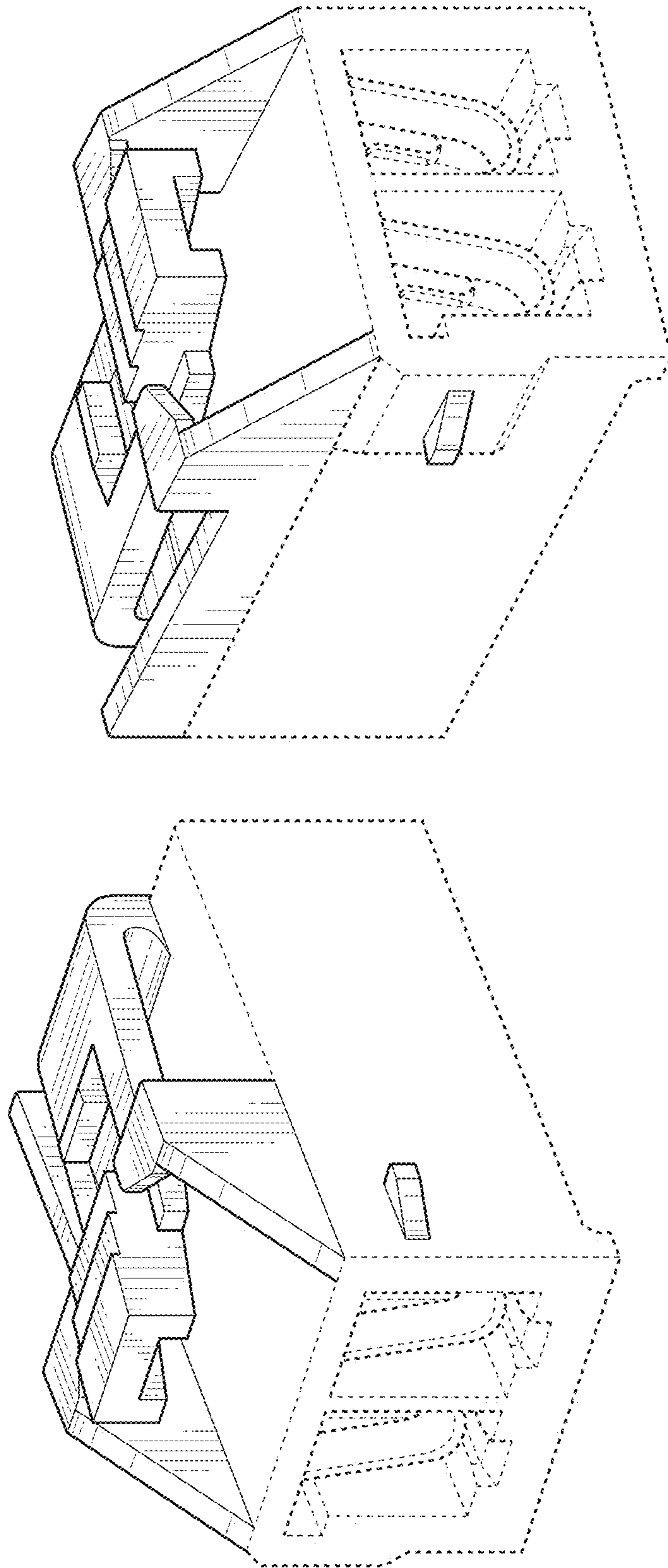


FIG. 2

FIG. 1

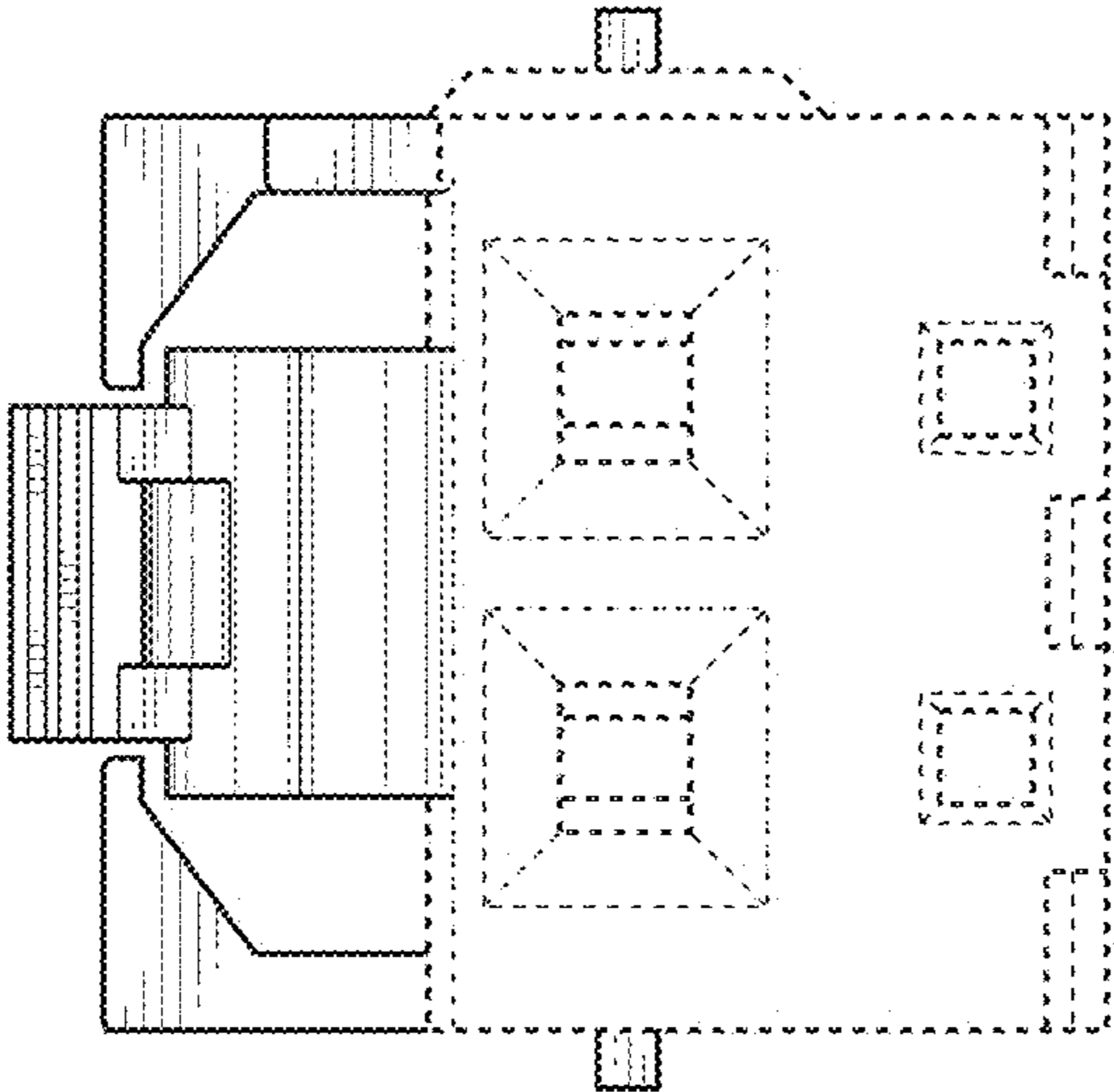


FIG. 3

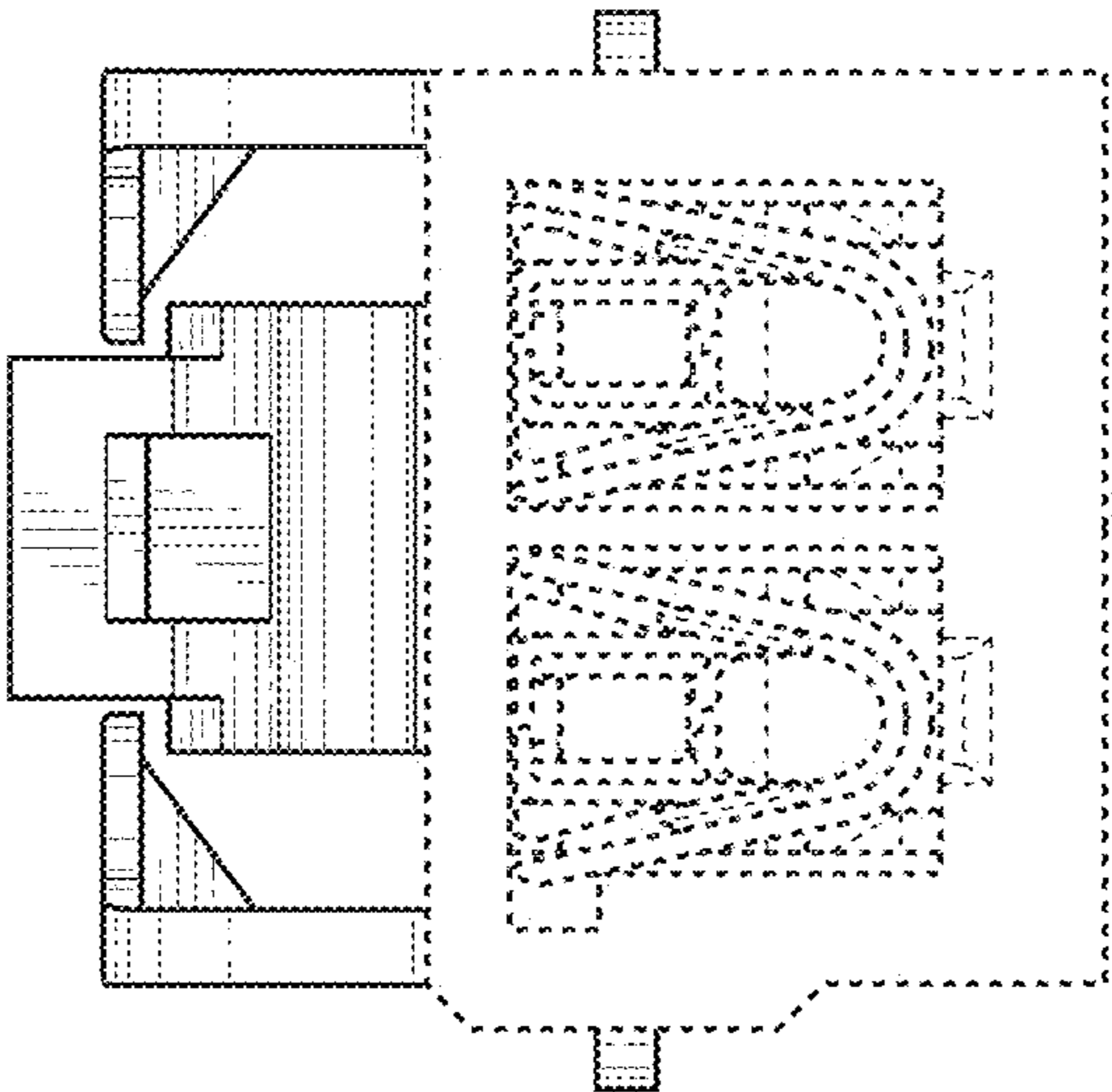


FIG. 4

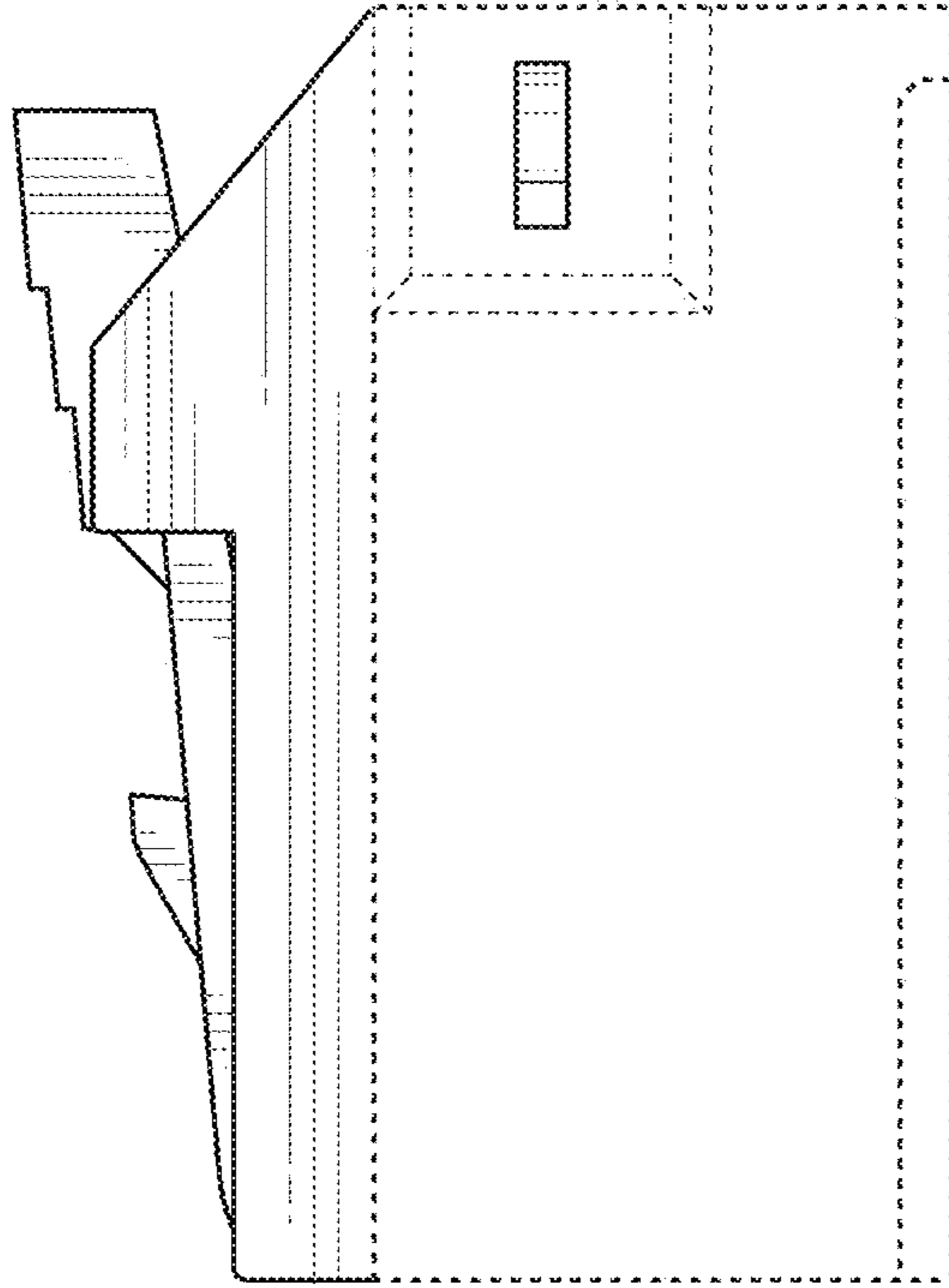


FIG. 5

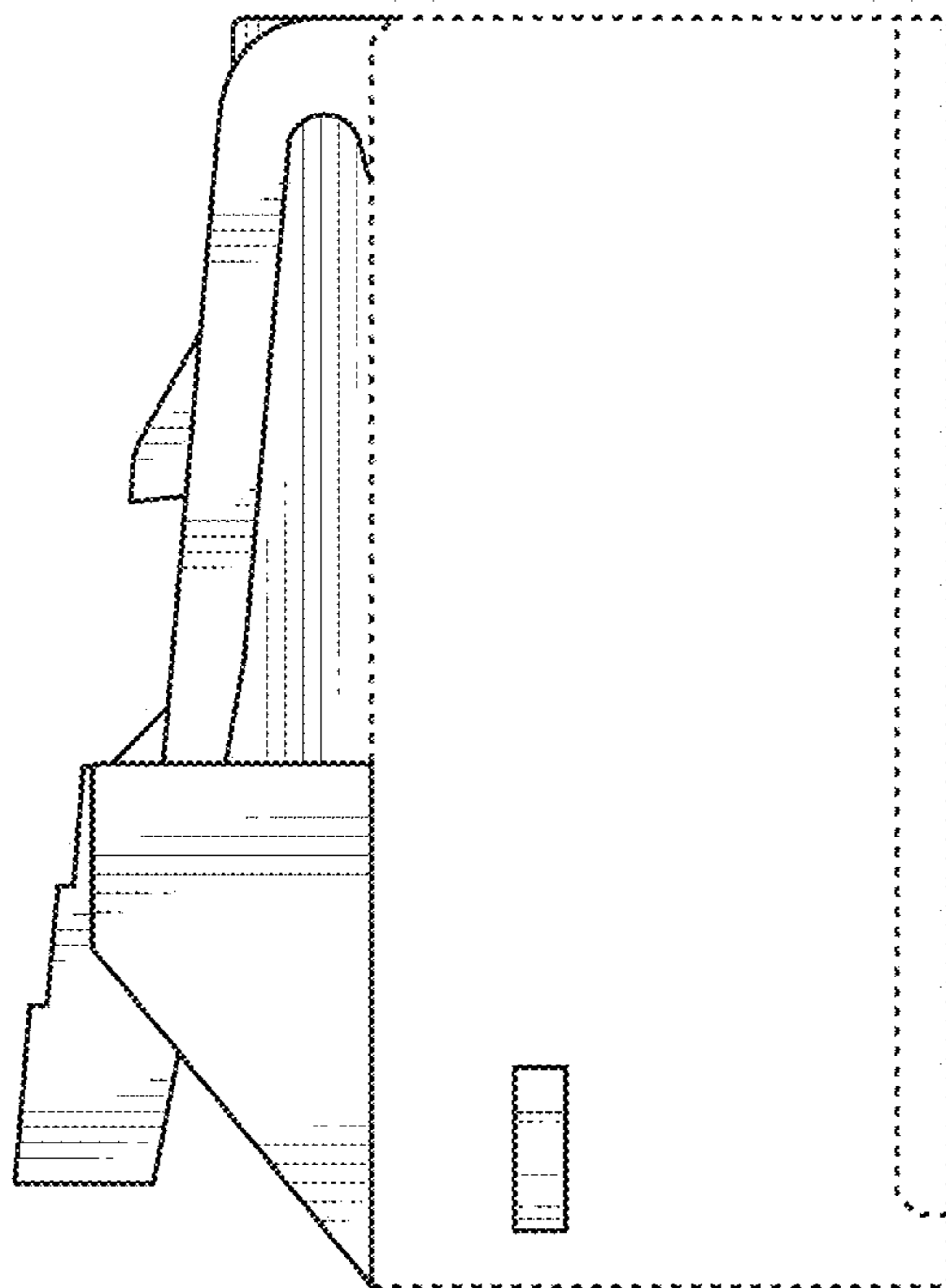


FIG. 6

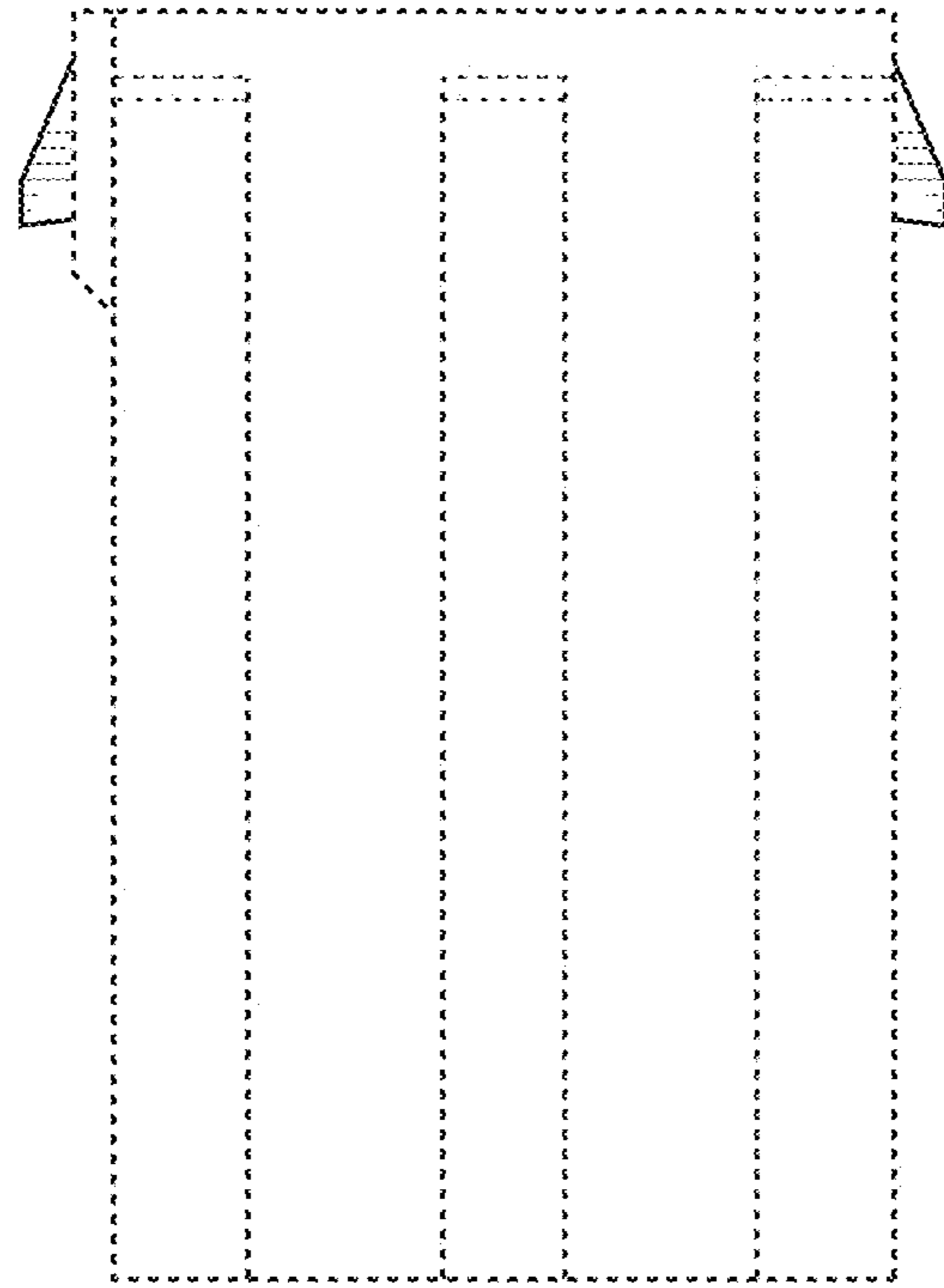


FIG. 8

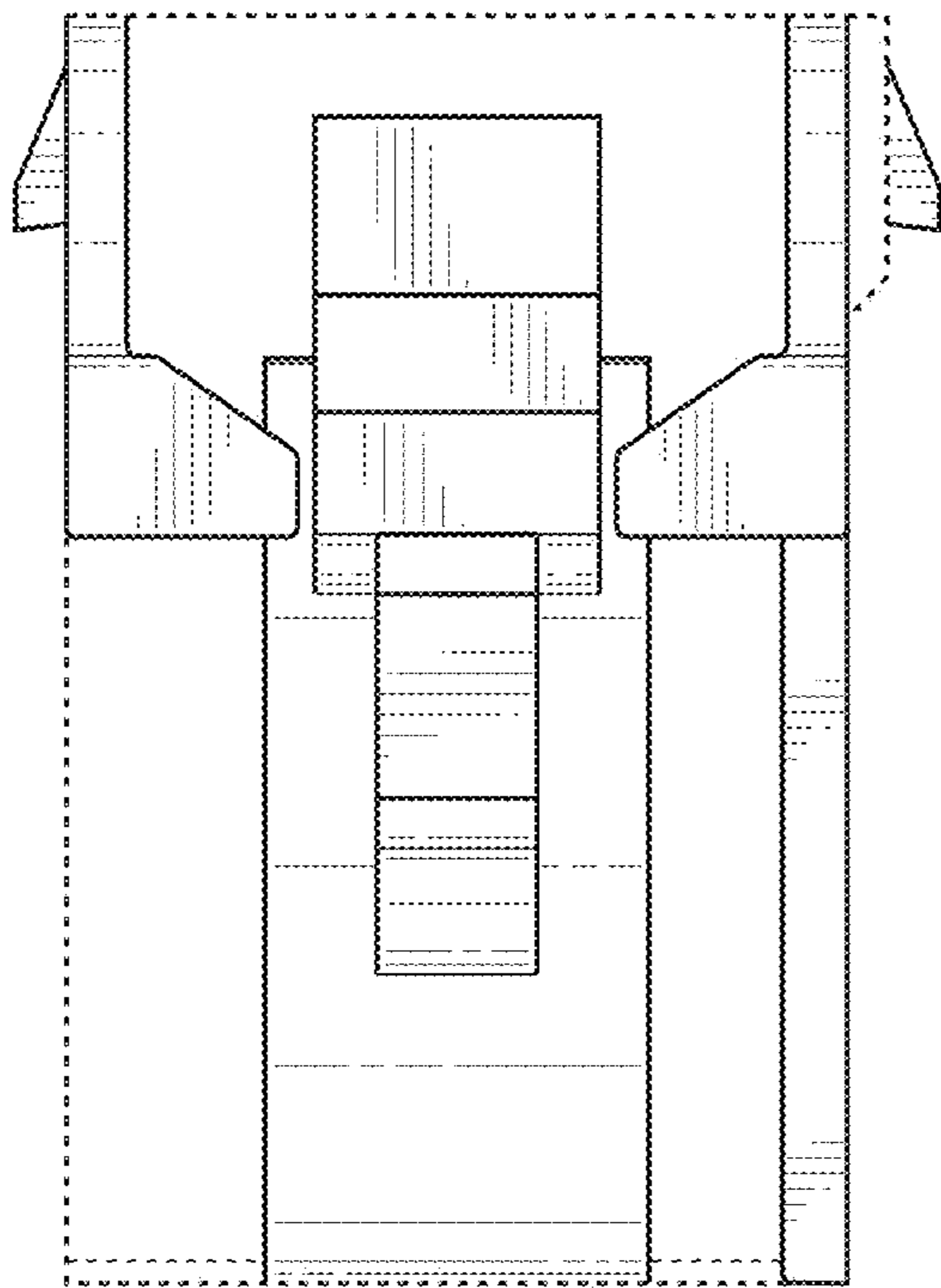


FIG. 7

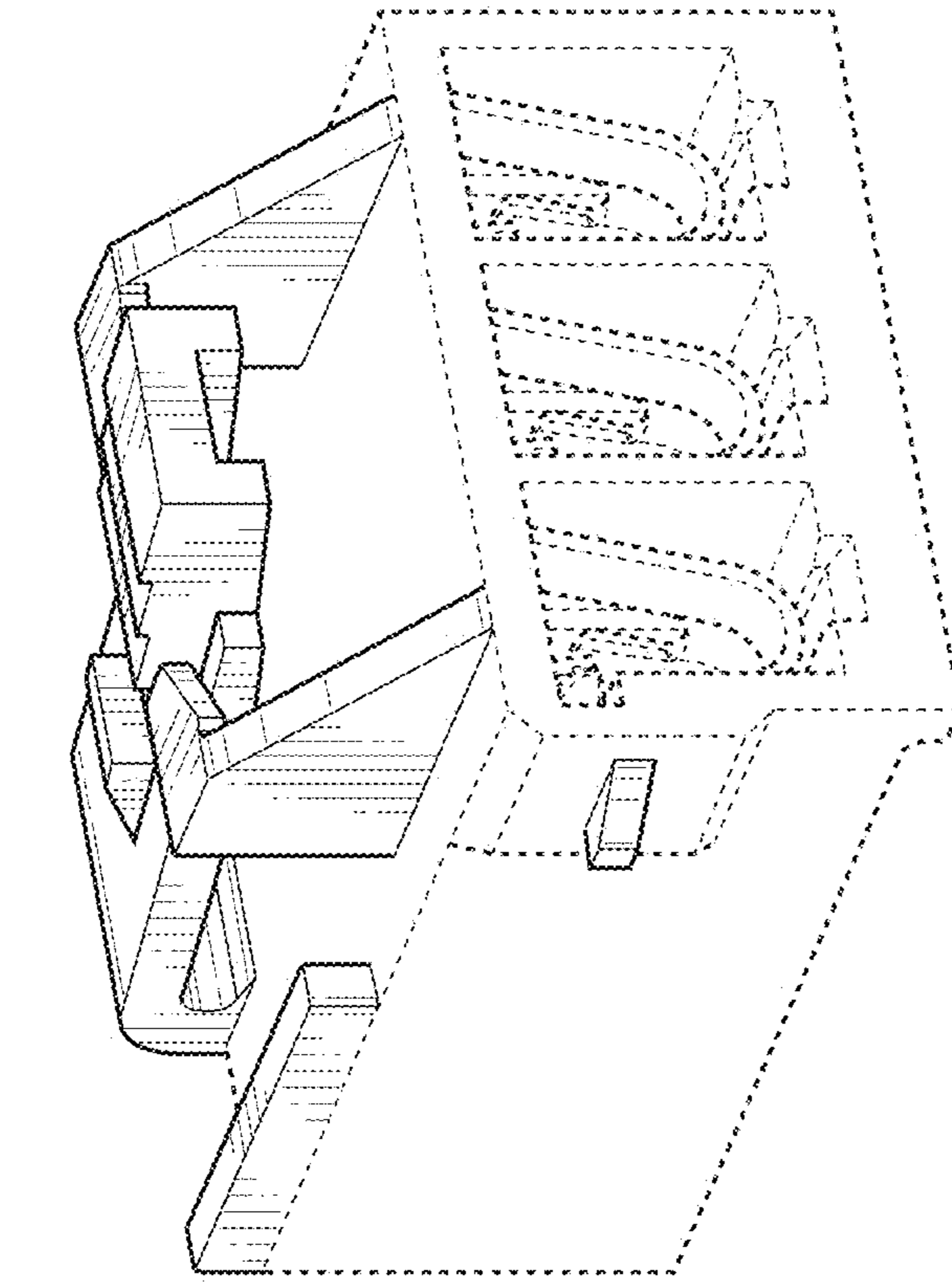


FIG. 10

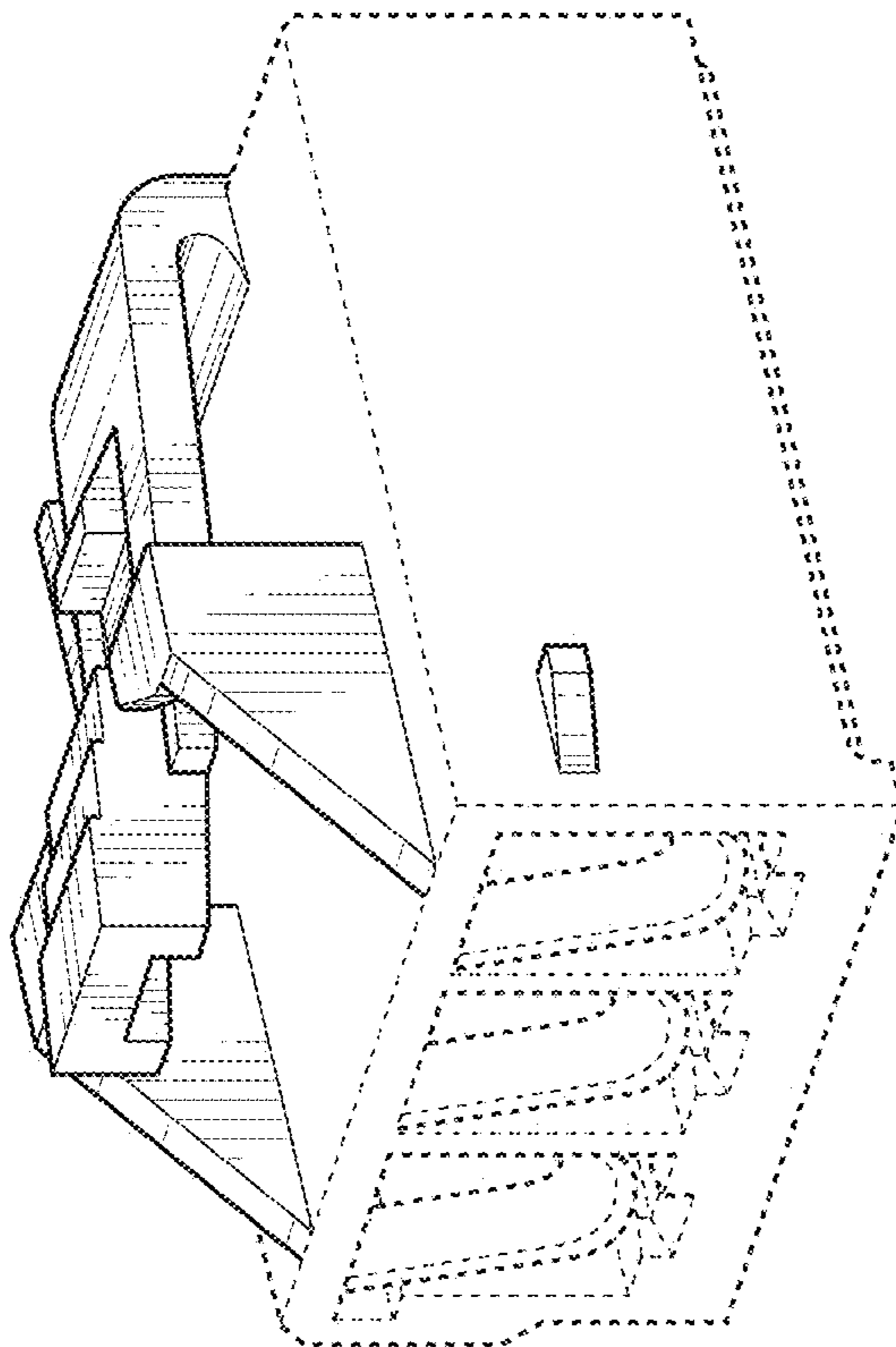


FIG. 9

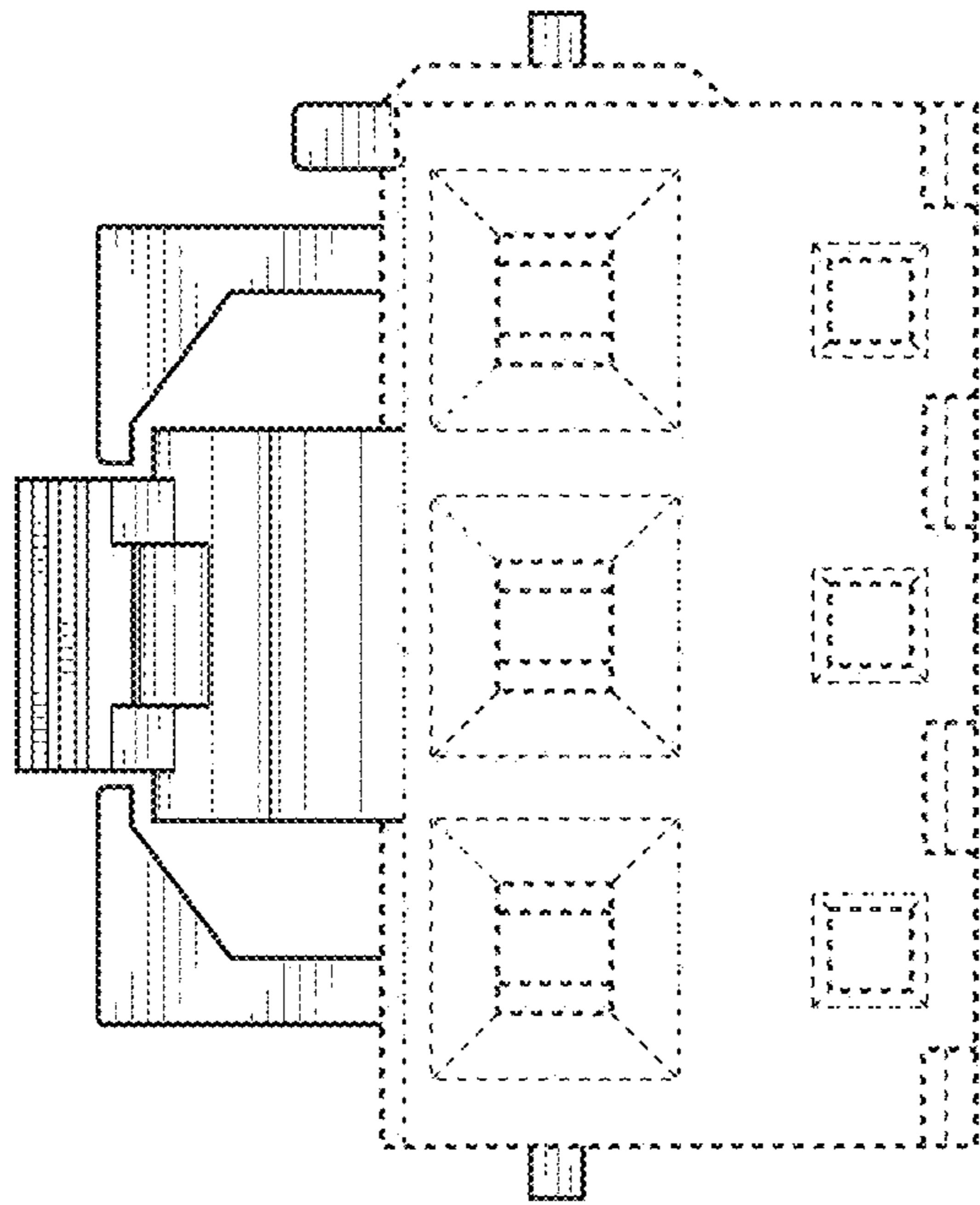


FIG. 11

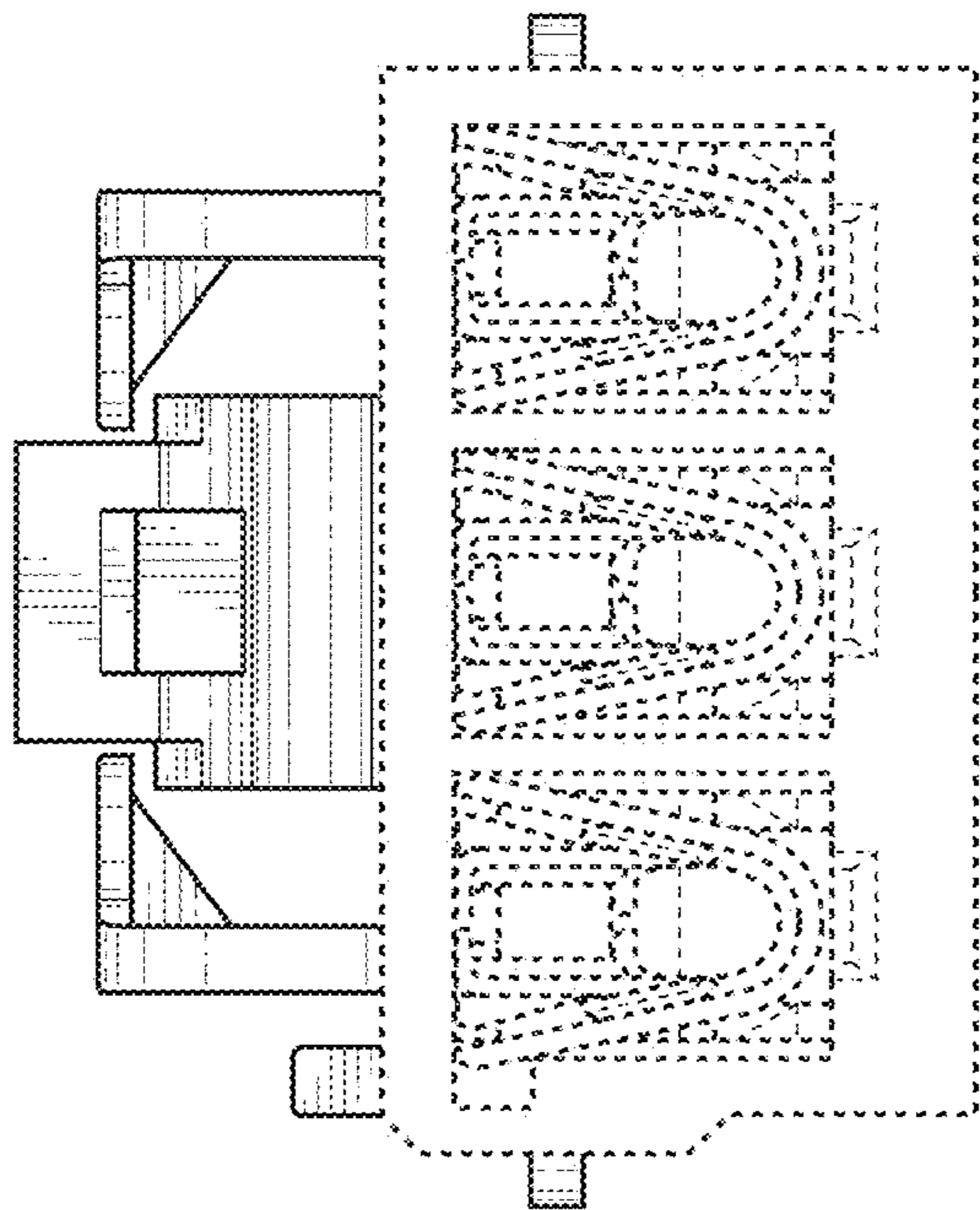


FIG. 12

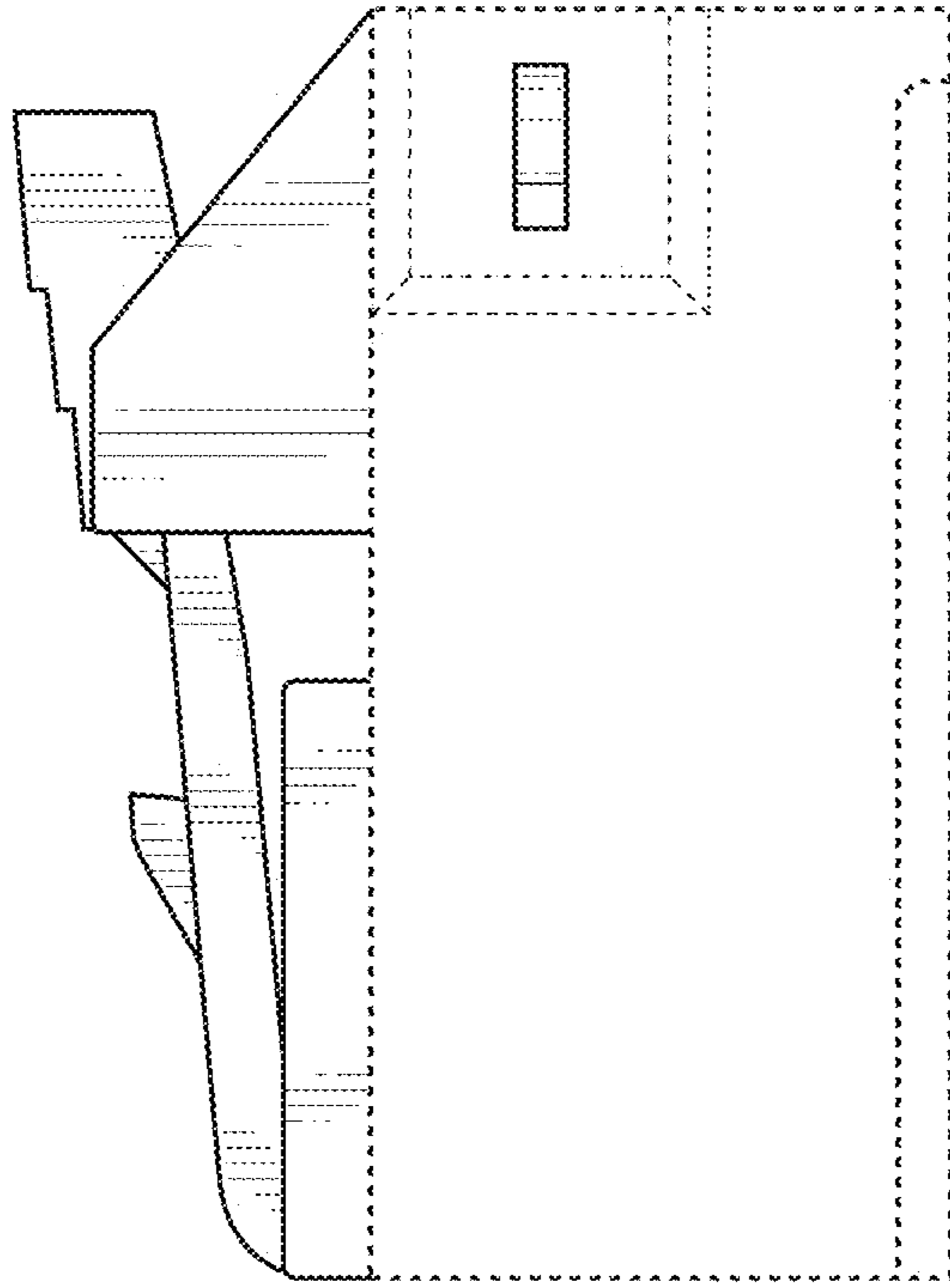


FIG. 14

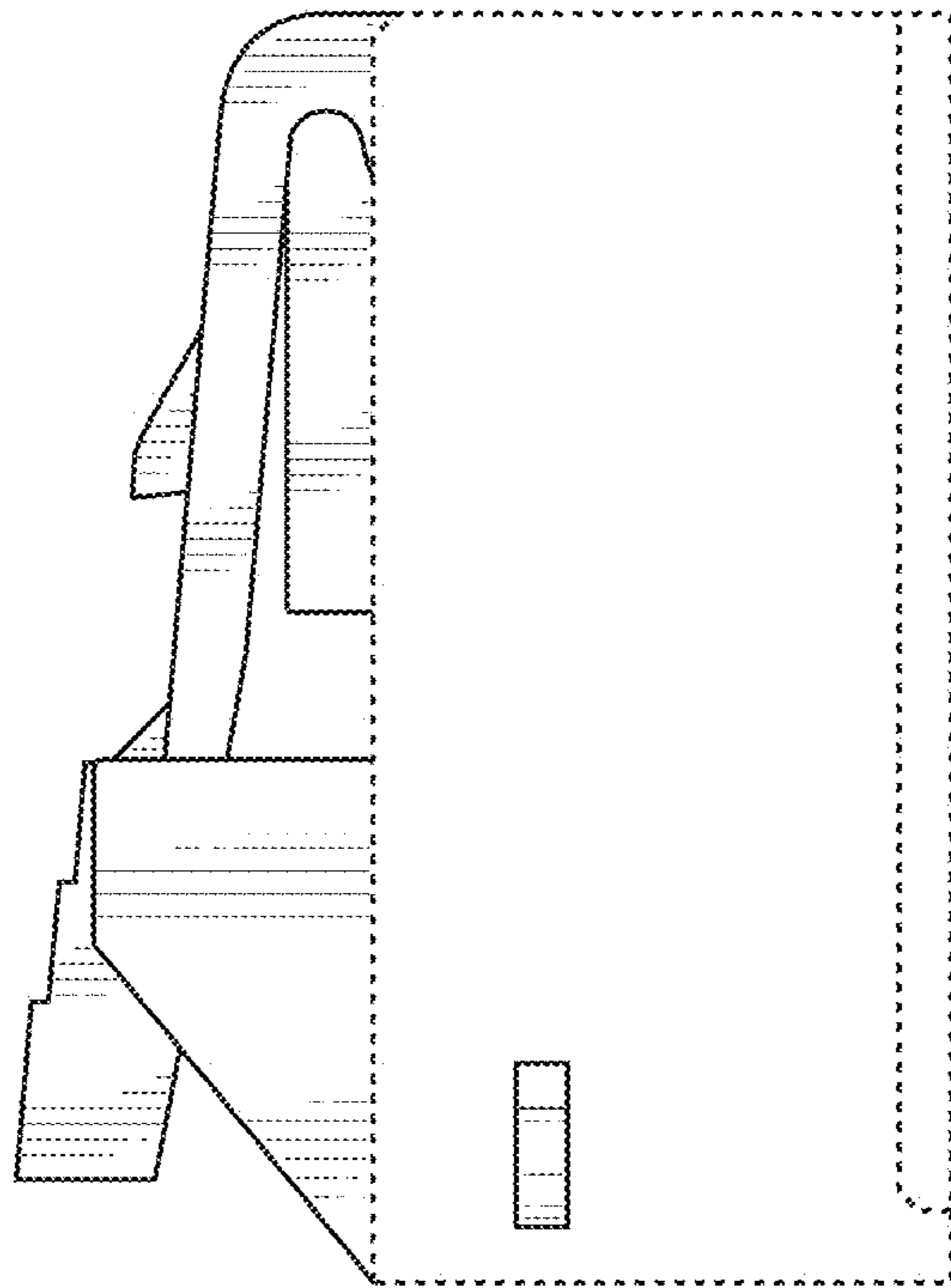


FIG. 13

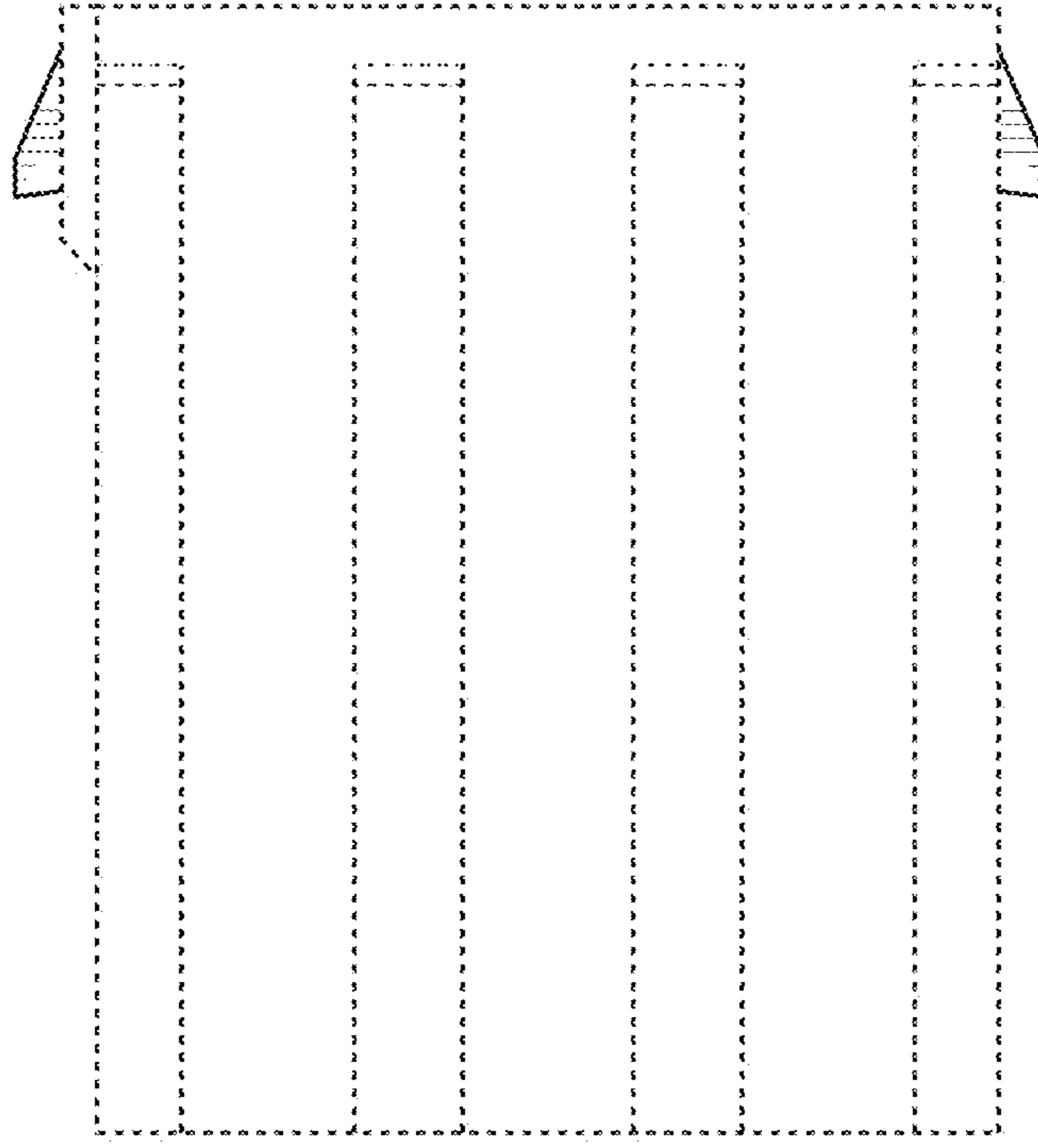


FIG. 16

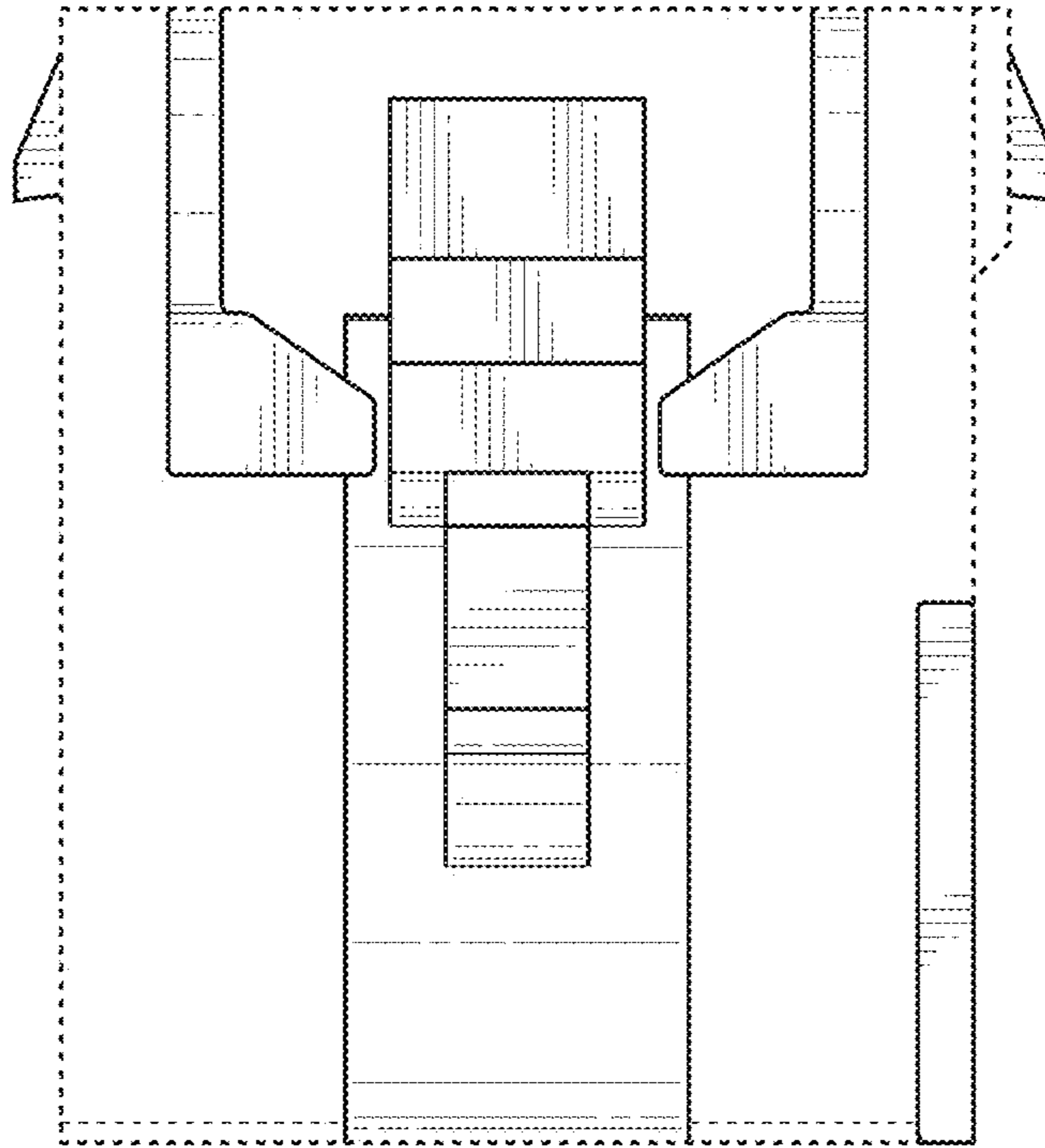


FIG. 15

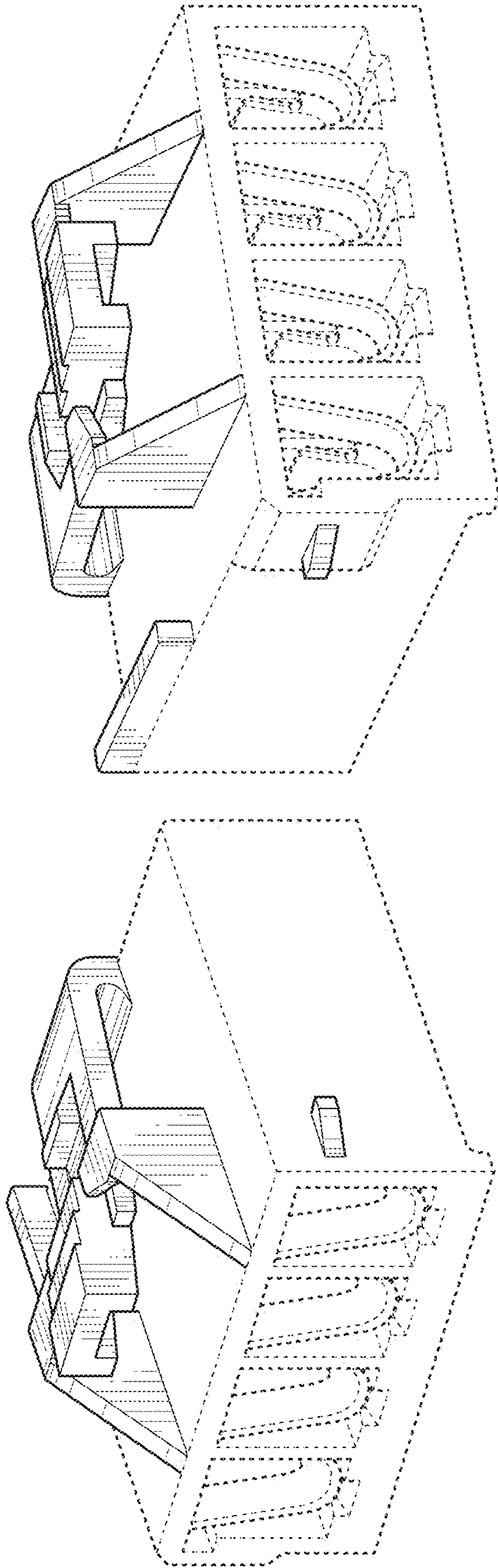


FIG. 18

FIG. 17

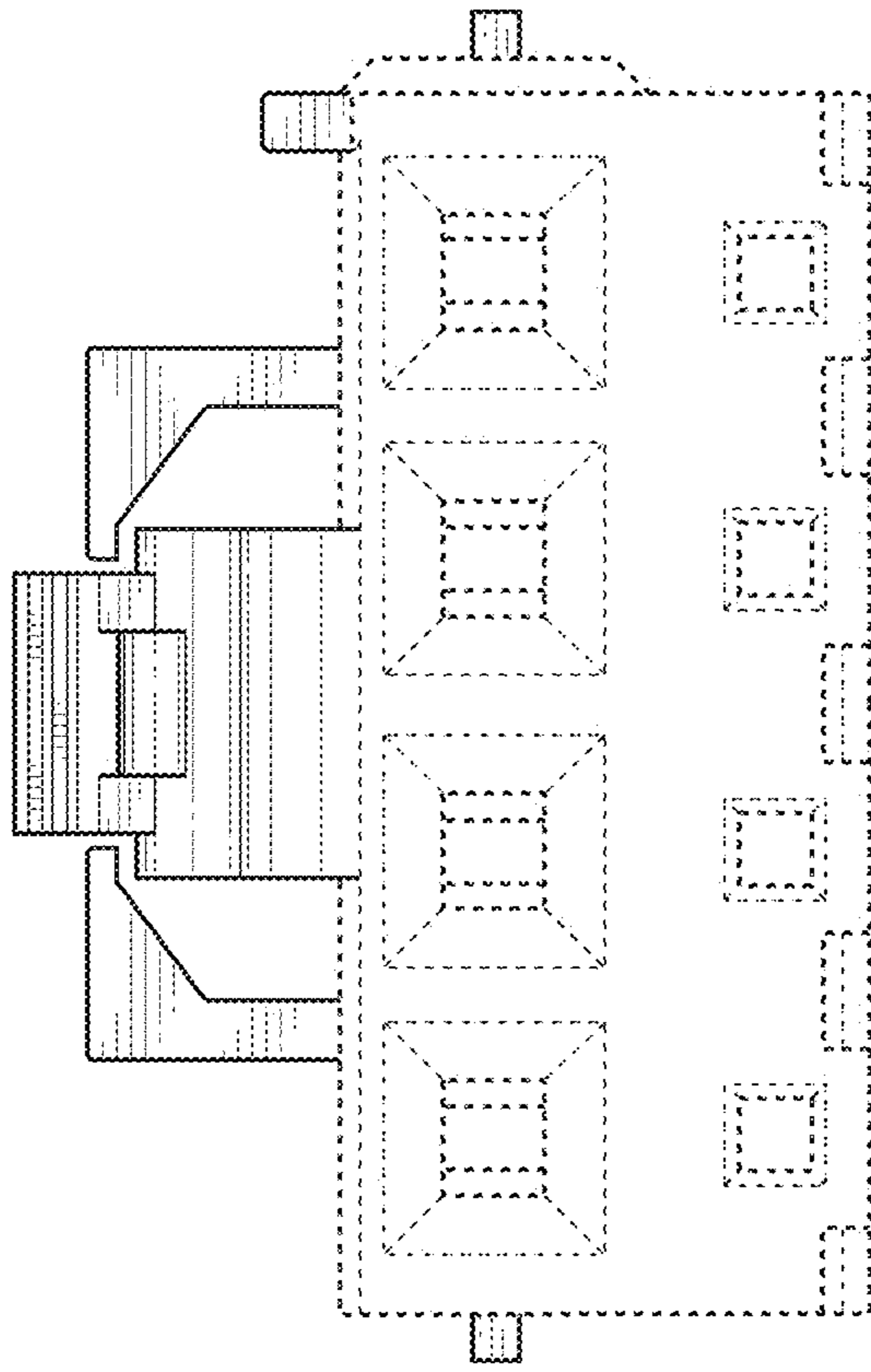


FIG. 19

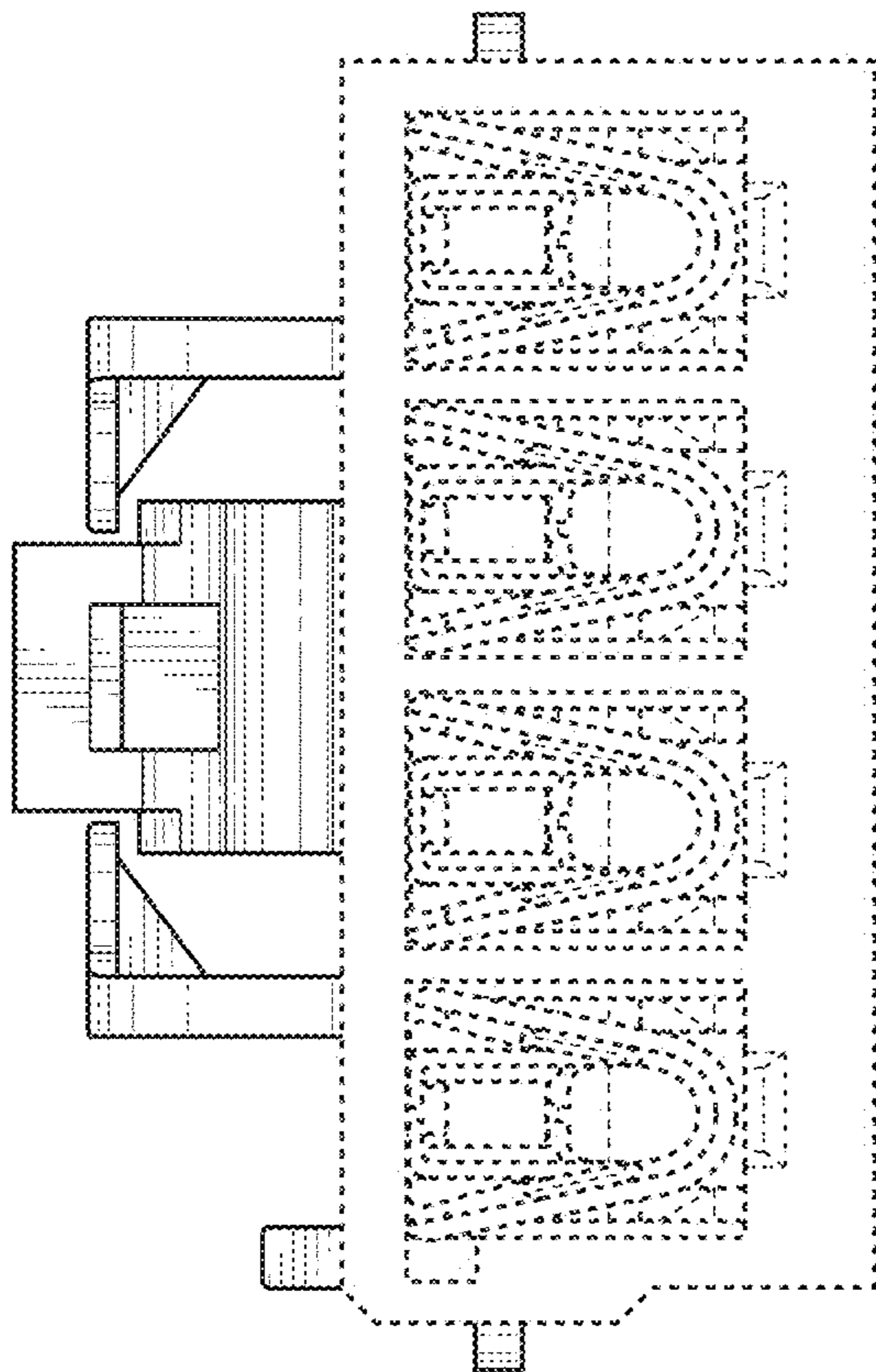


FIG. 20

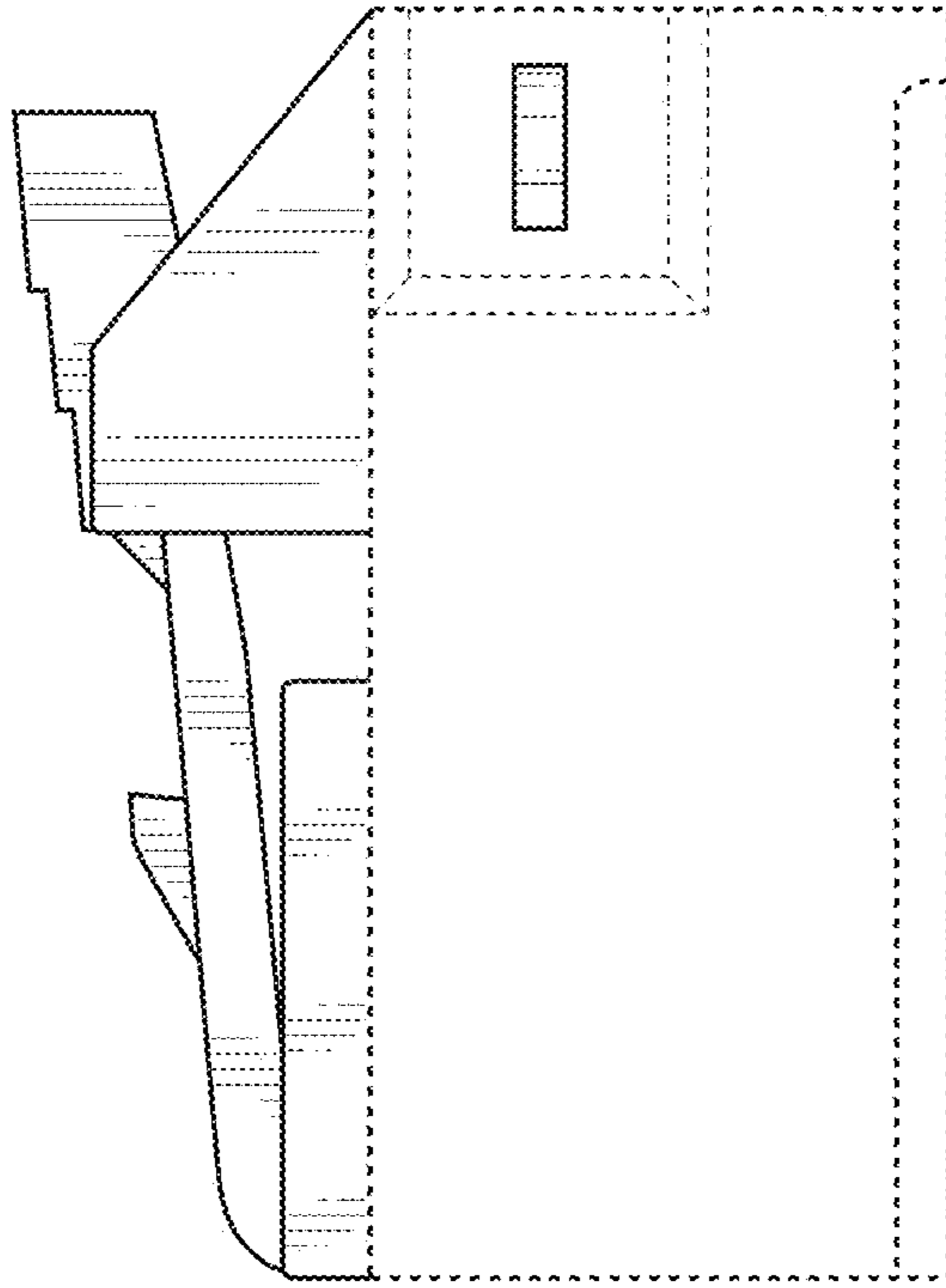


FIG. 22

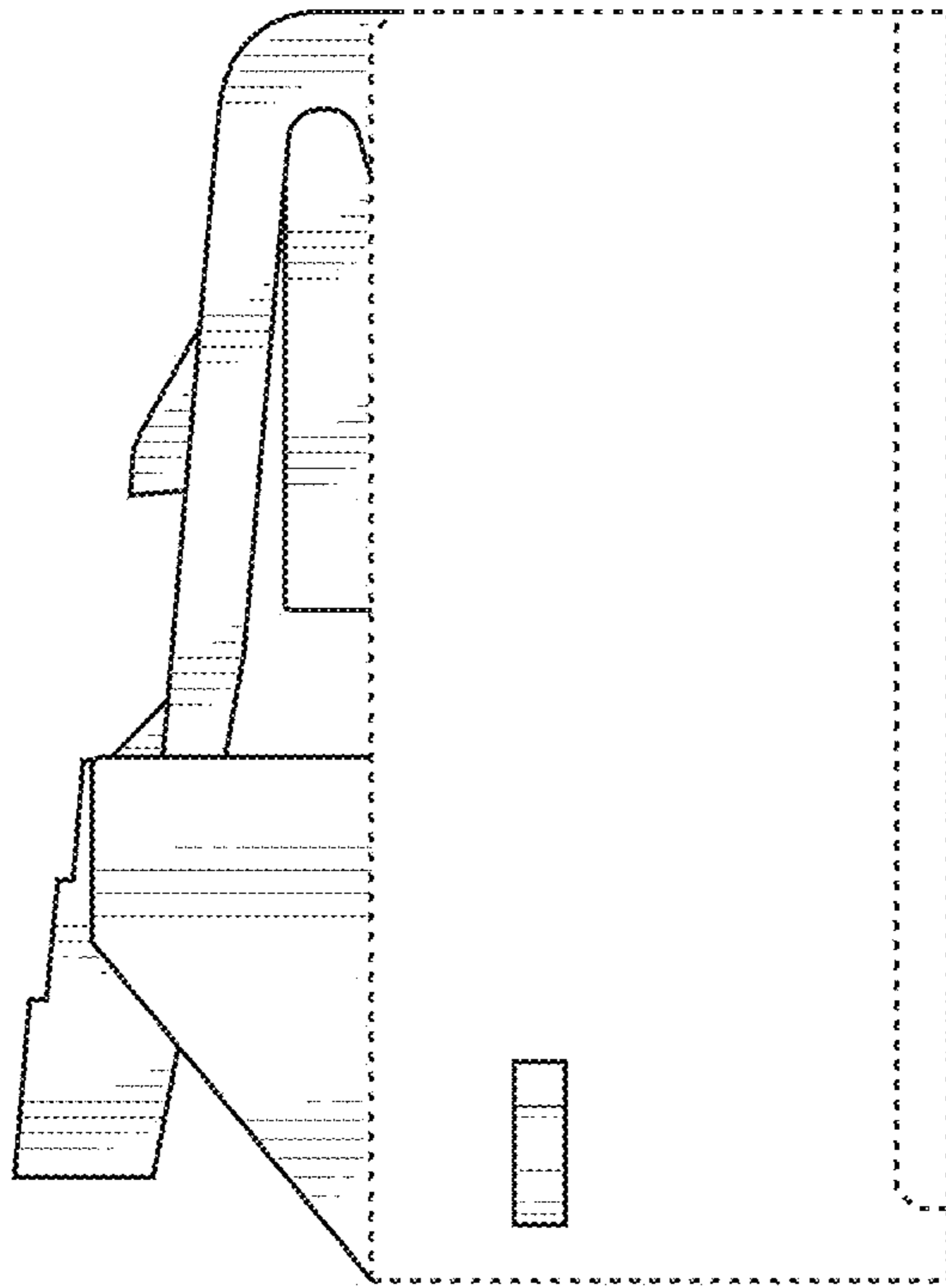


FIG. 21

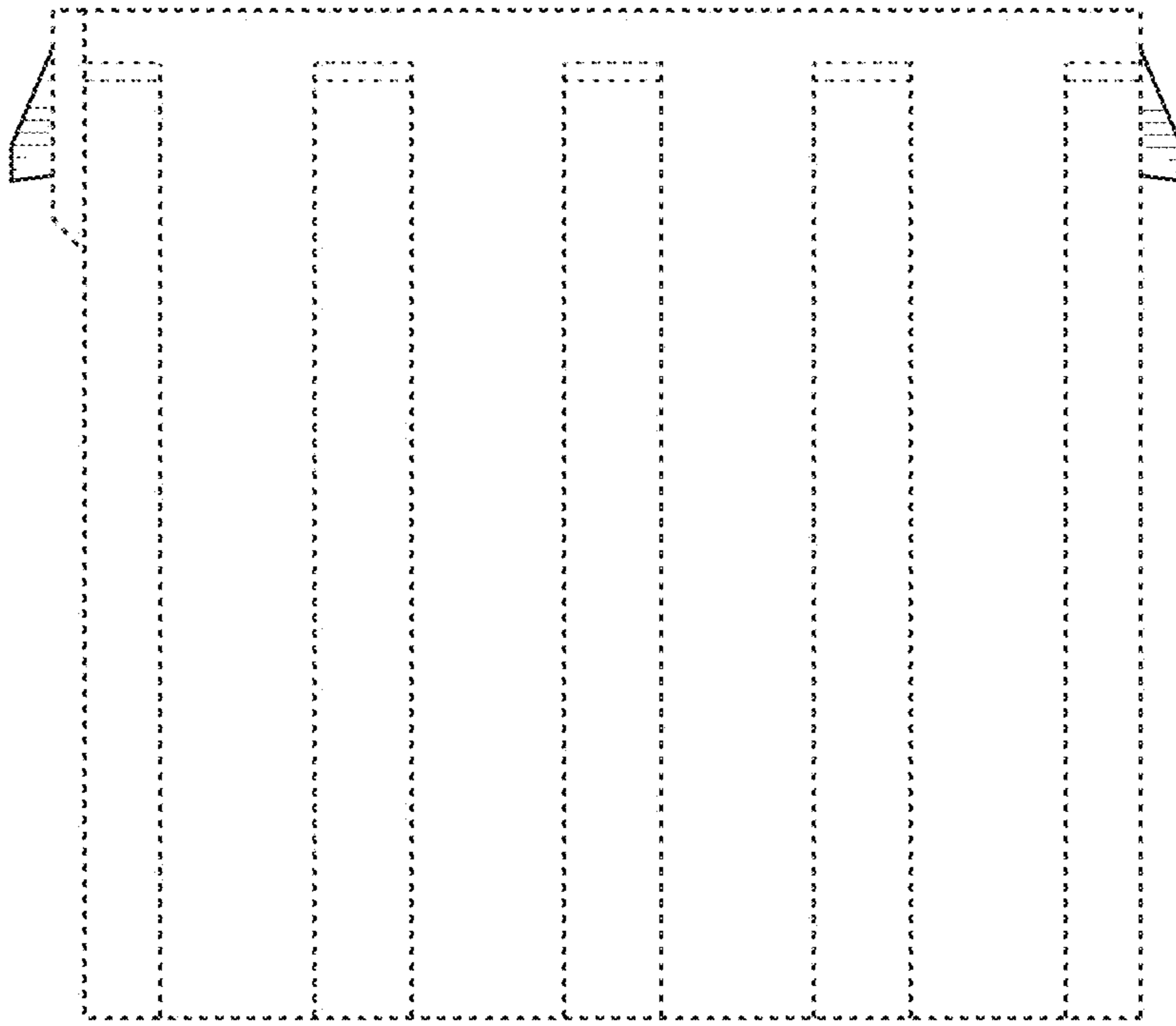


FIG. 24

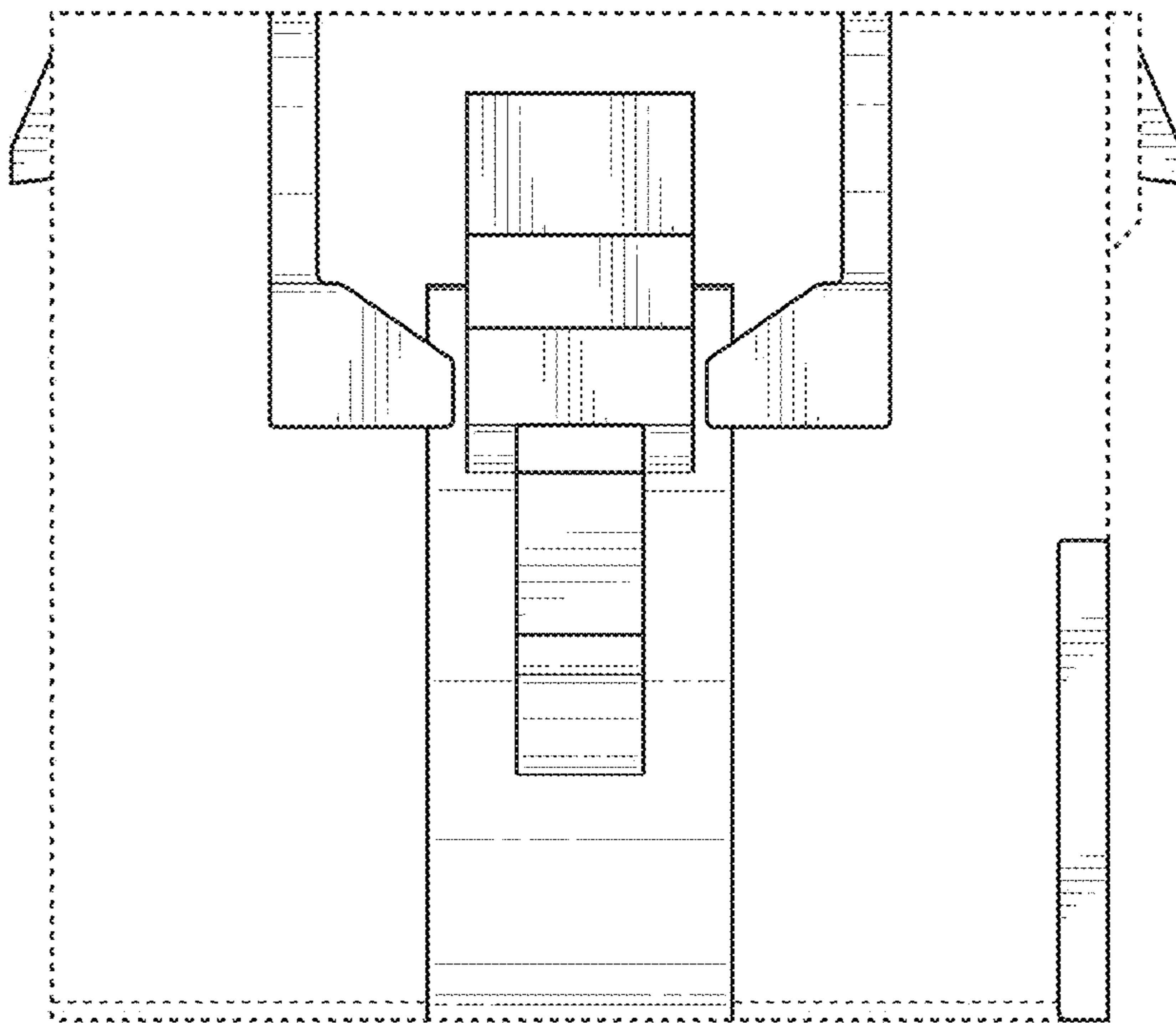


FIG. 23

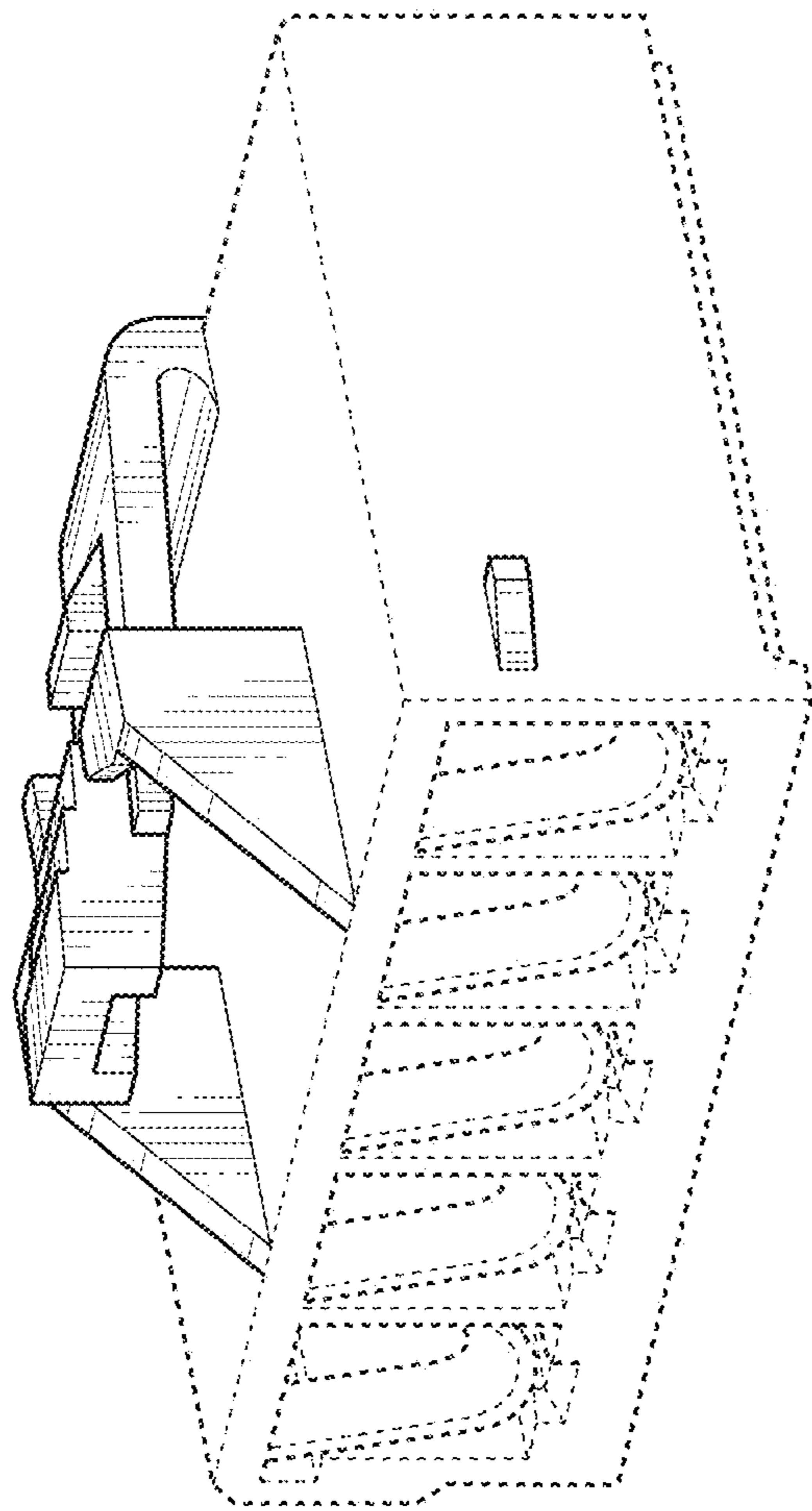


FIG. 25

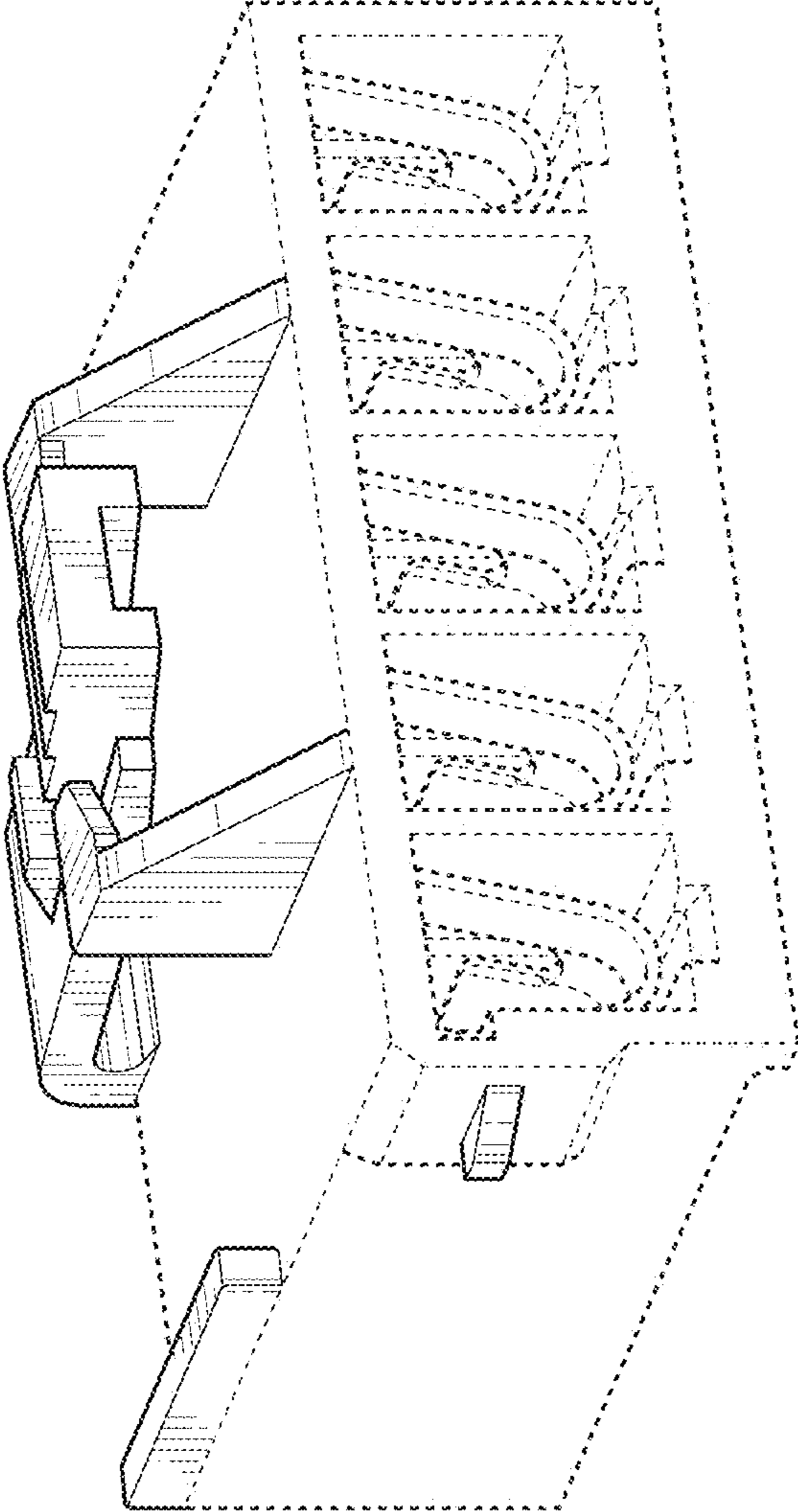


FIG. 26

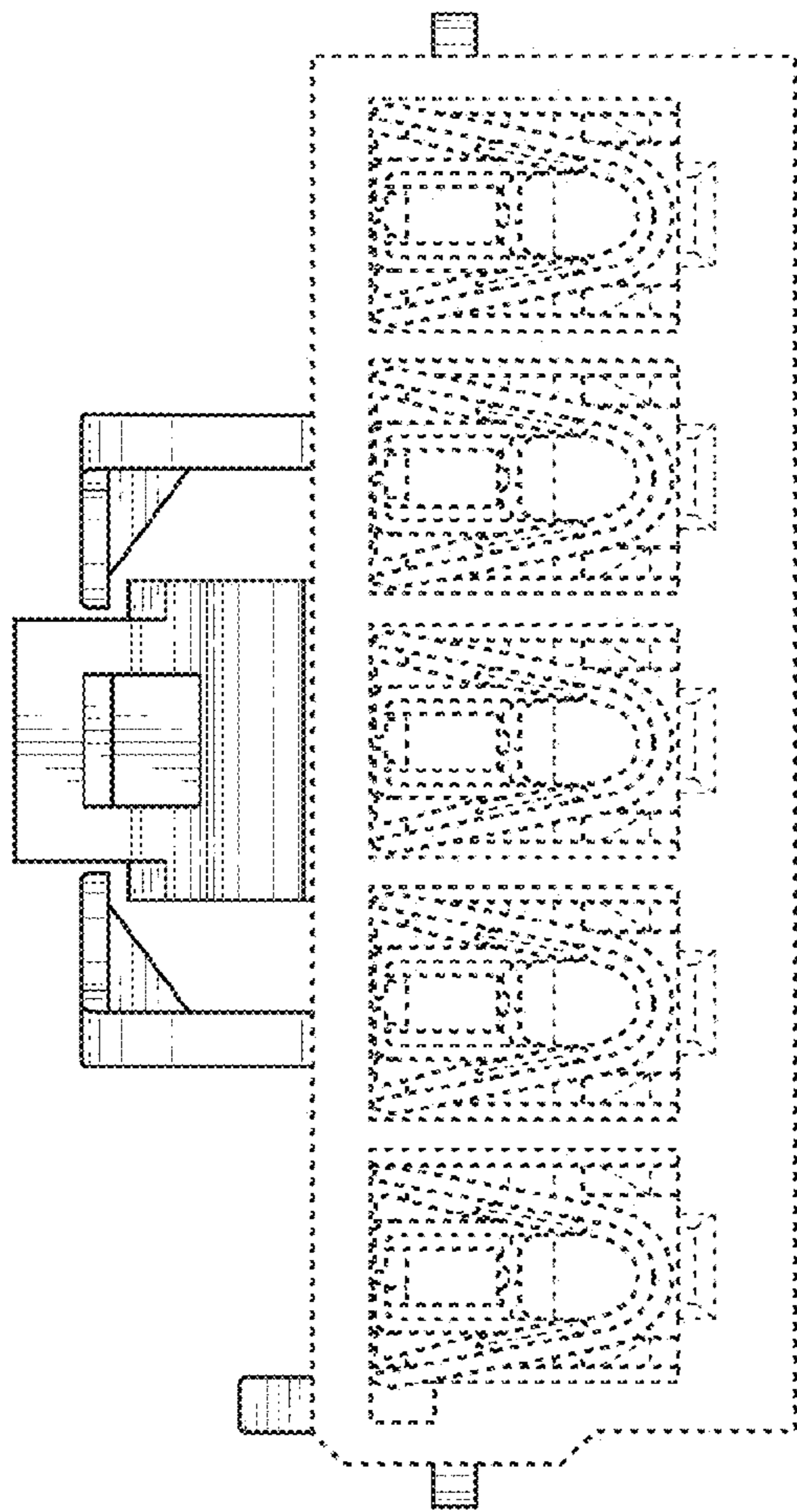


FIG. 27

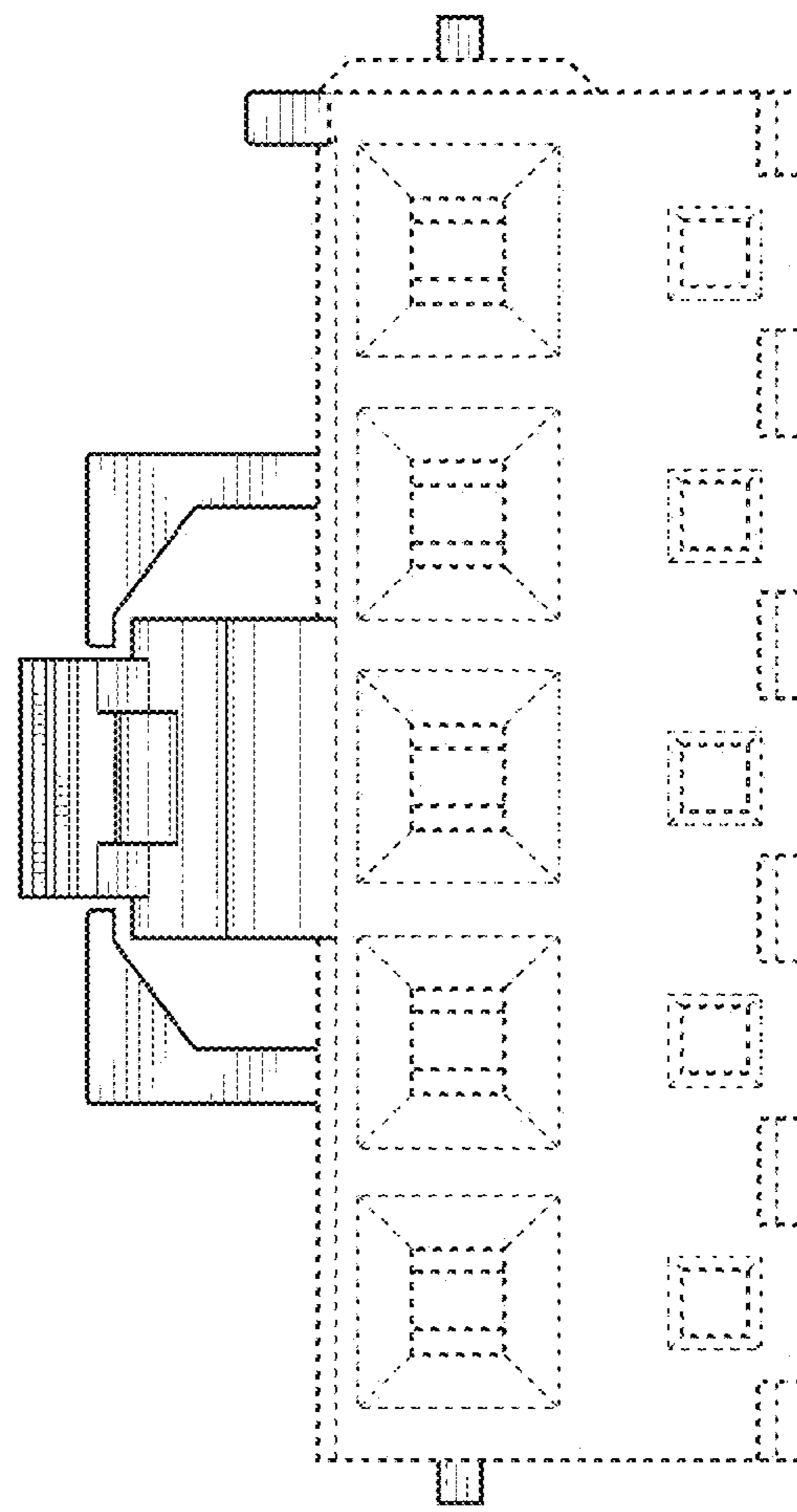


FIG. 28

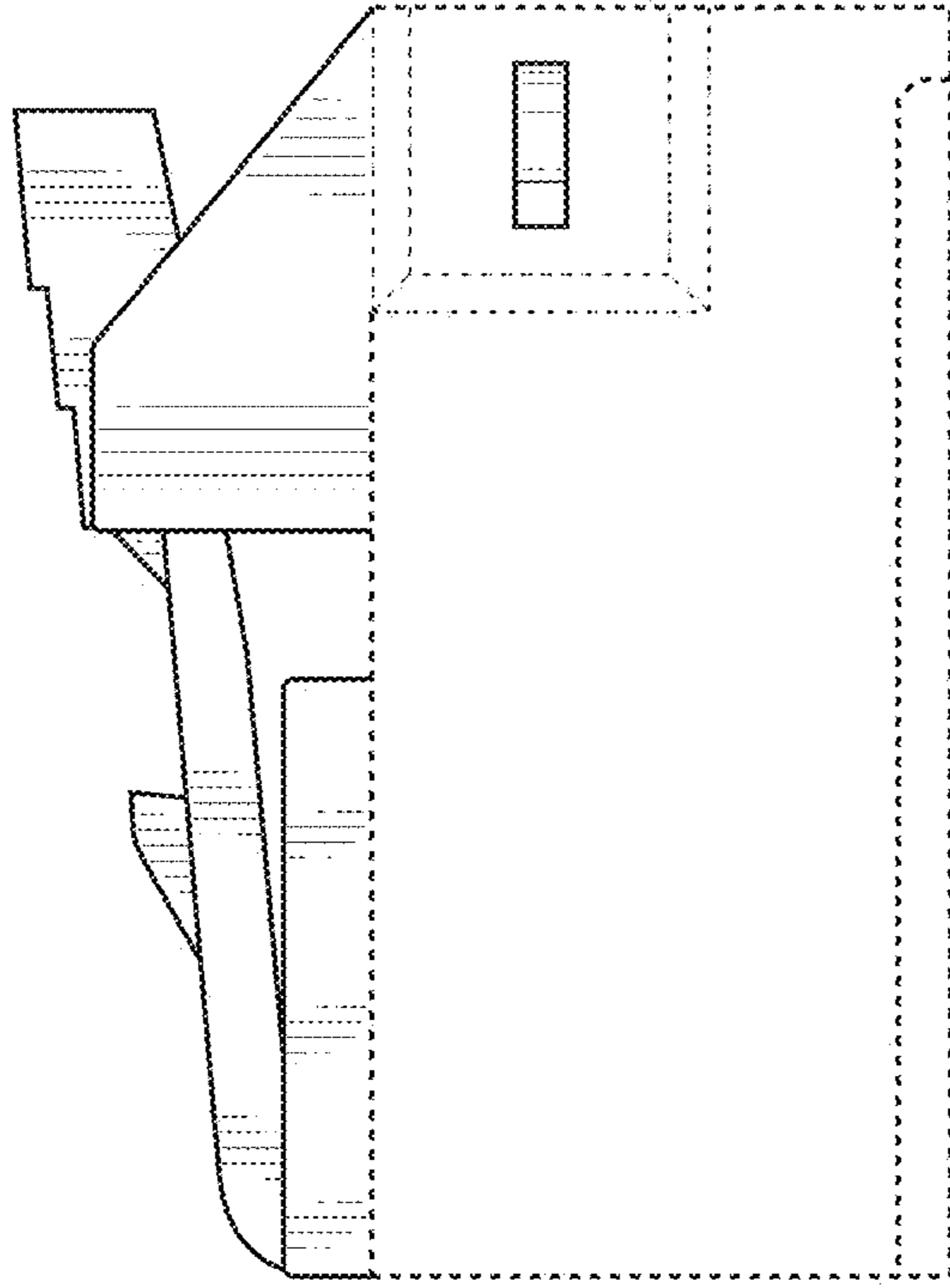


FIG. 30

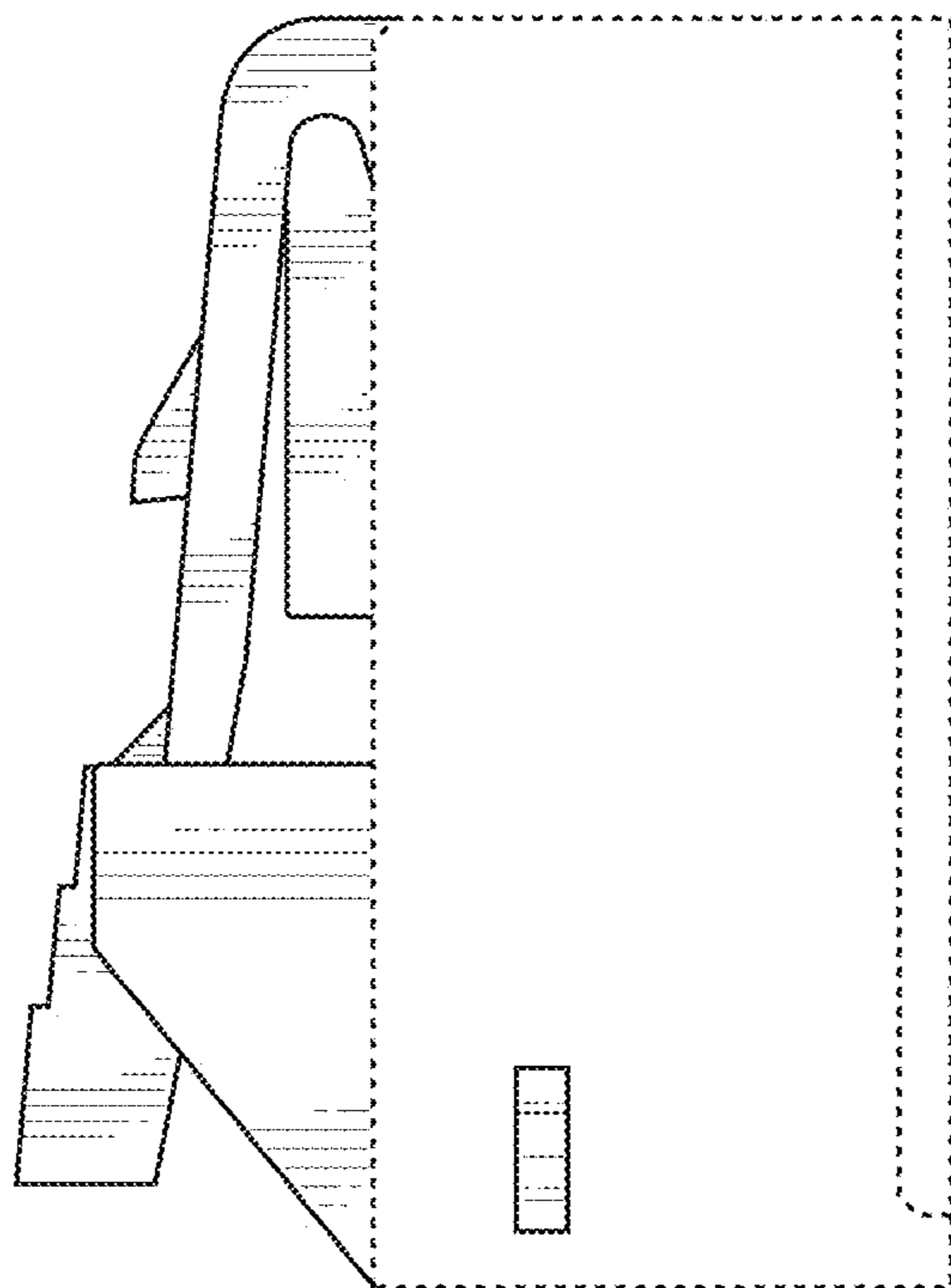


FIG. 29

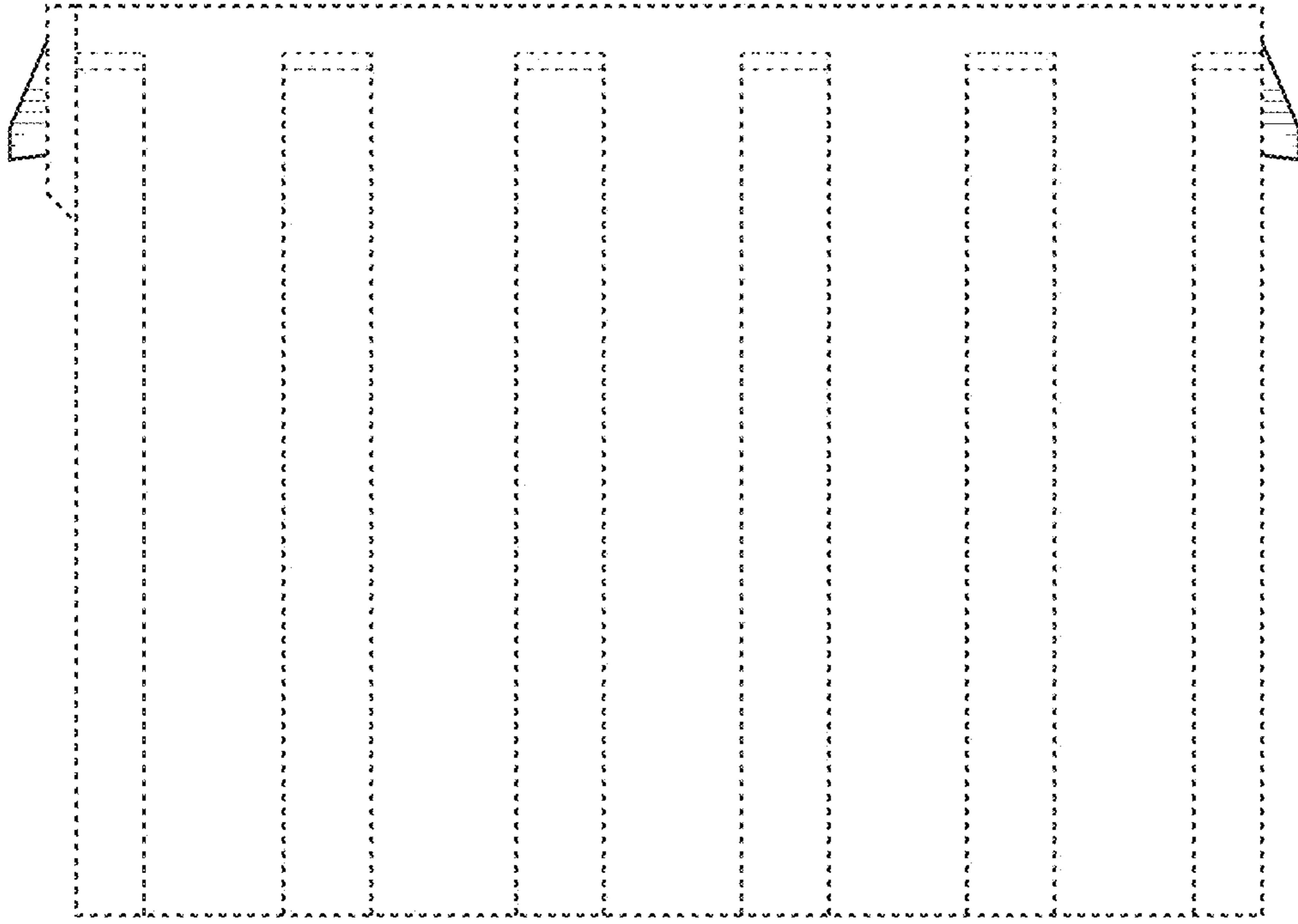


FIG. 32

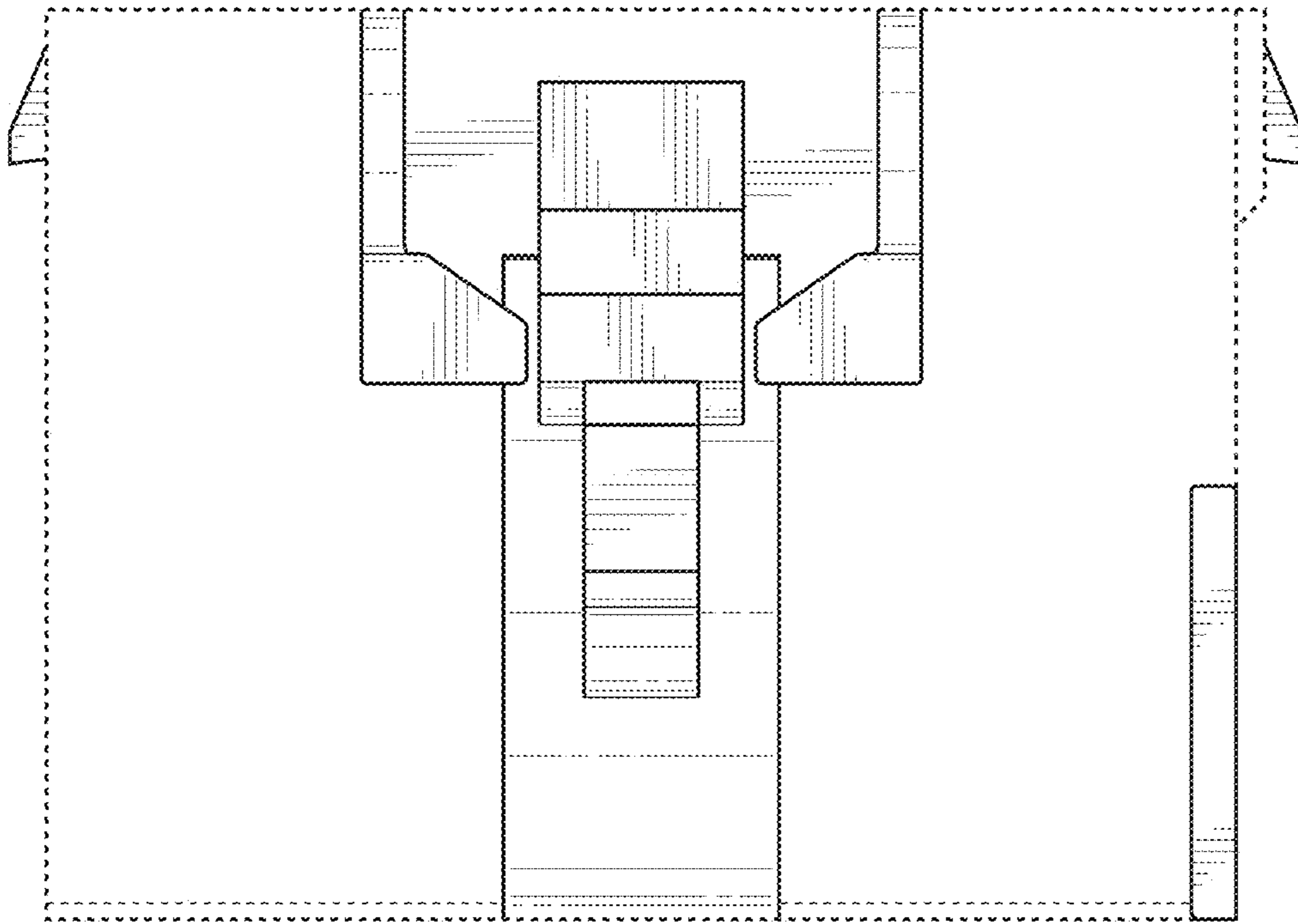


FIG. 31

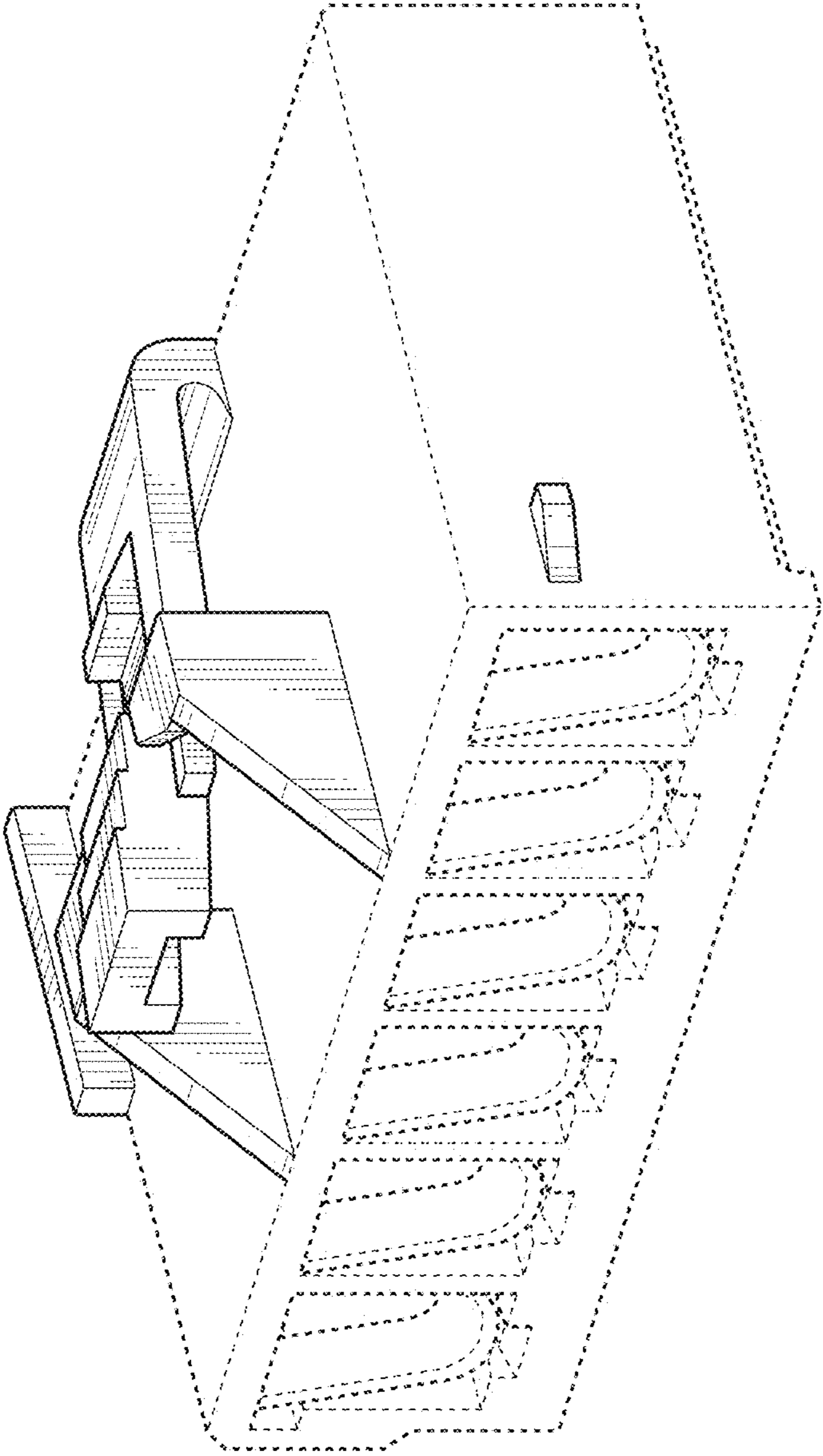


FIG. 33

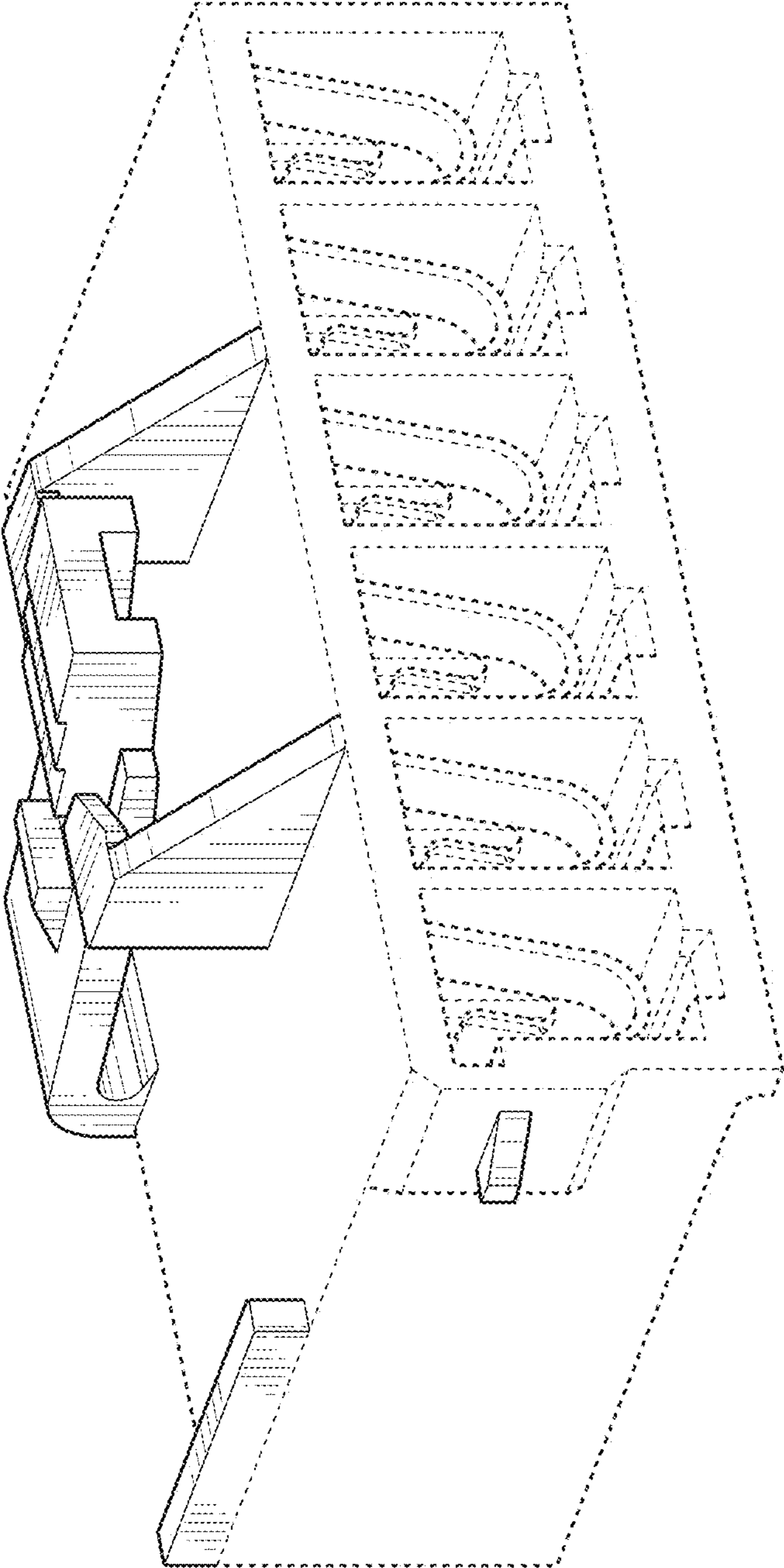


FIG. 34

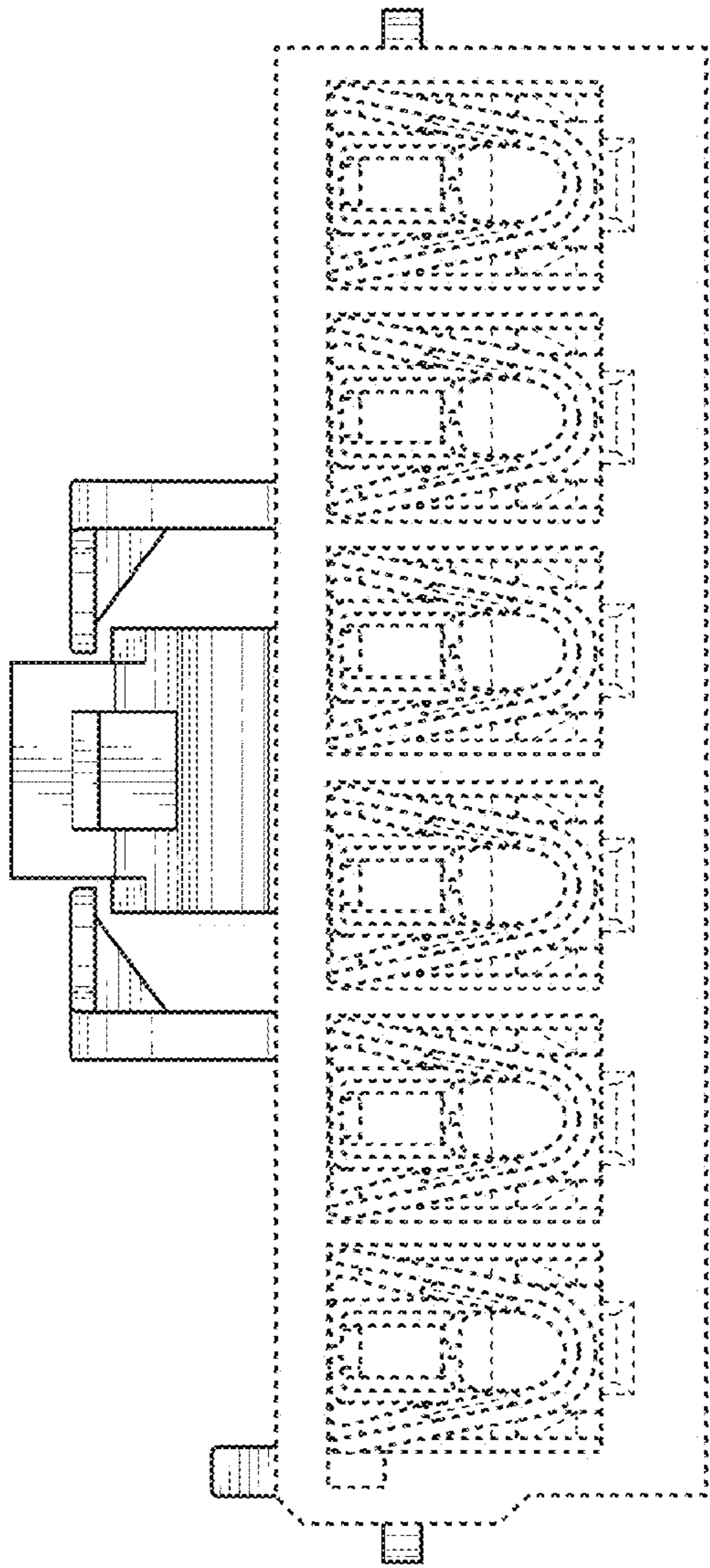


FIG. 35

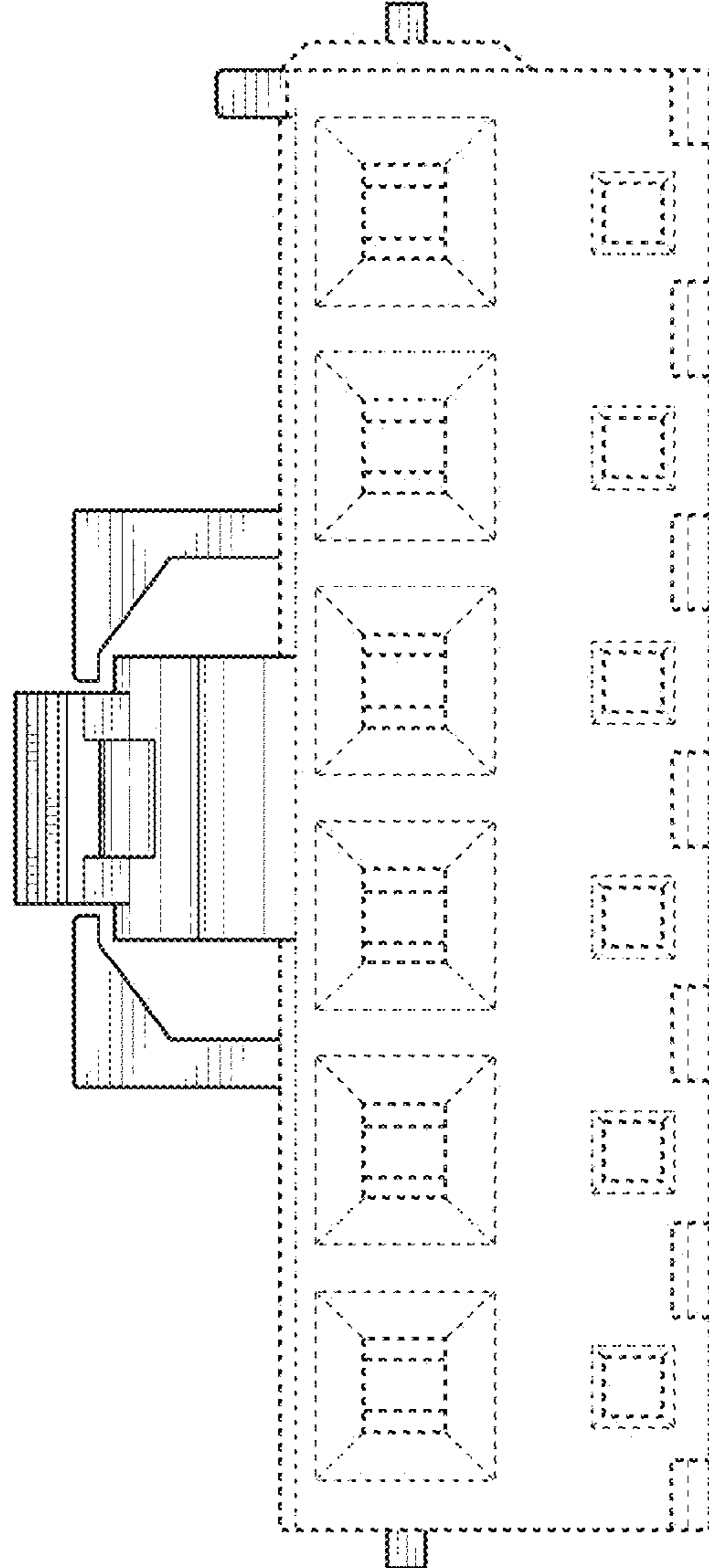


FIG. 36

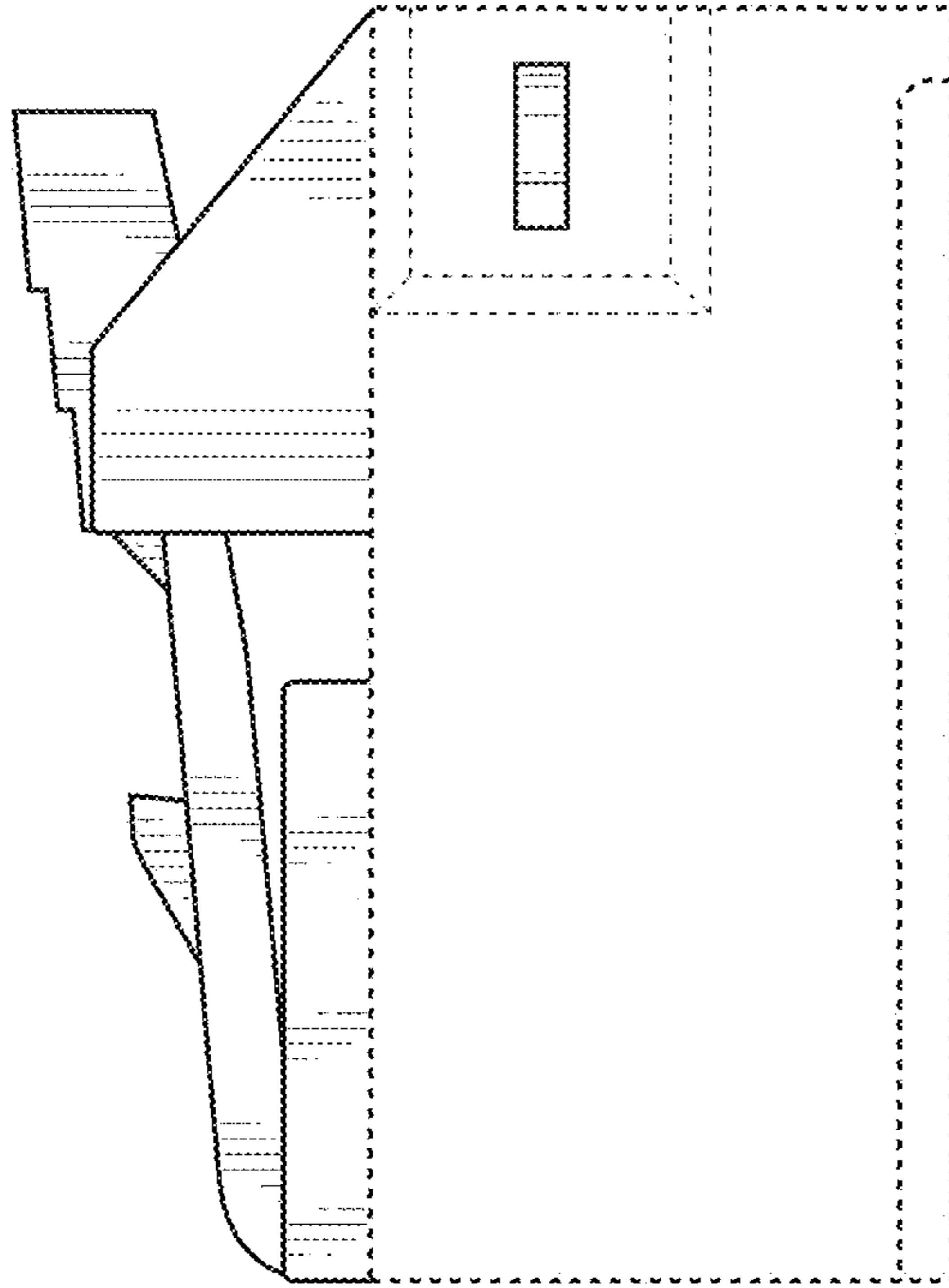


FIG. 38

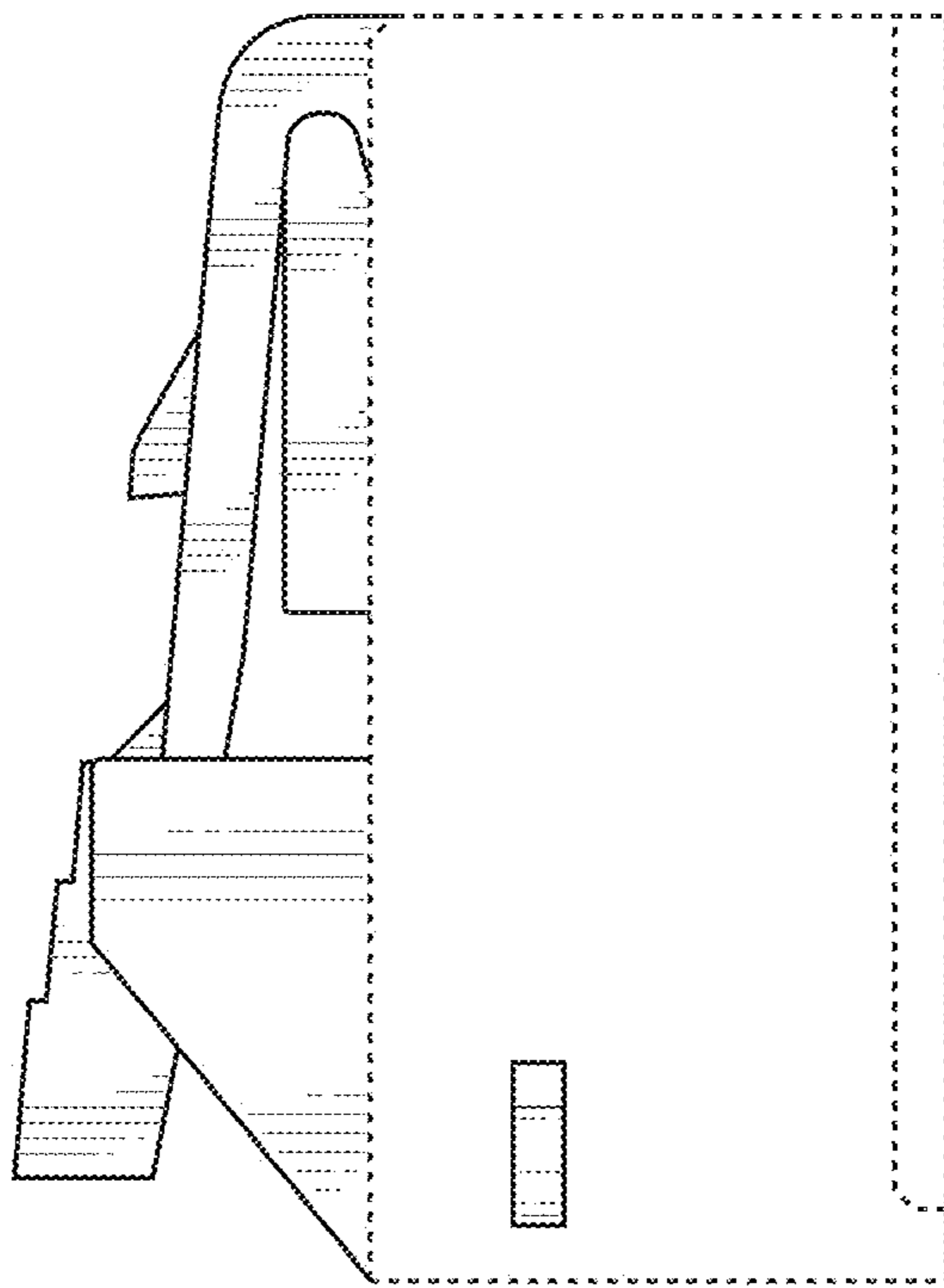


FIG. 37

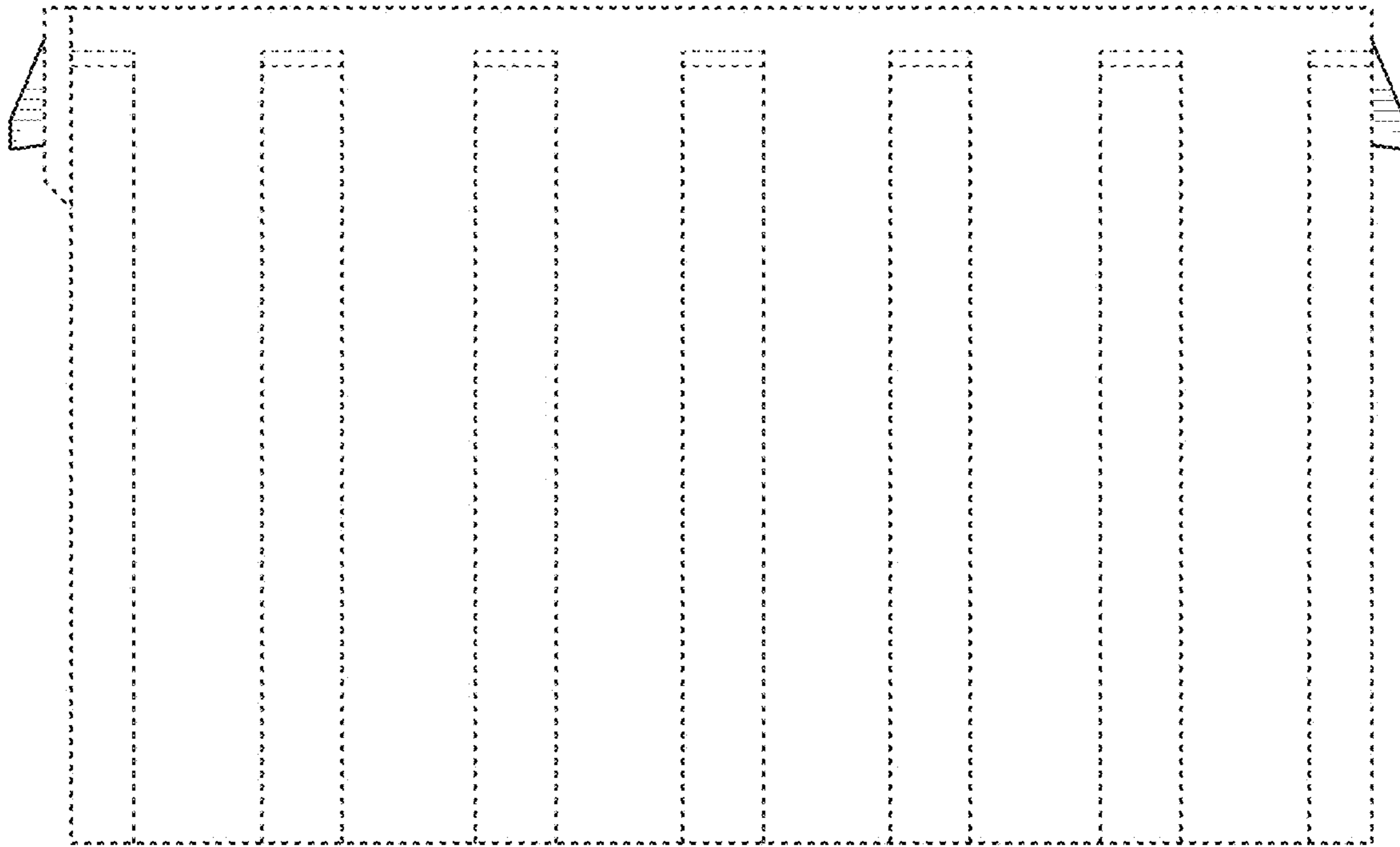


FIG. 40

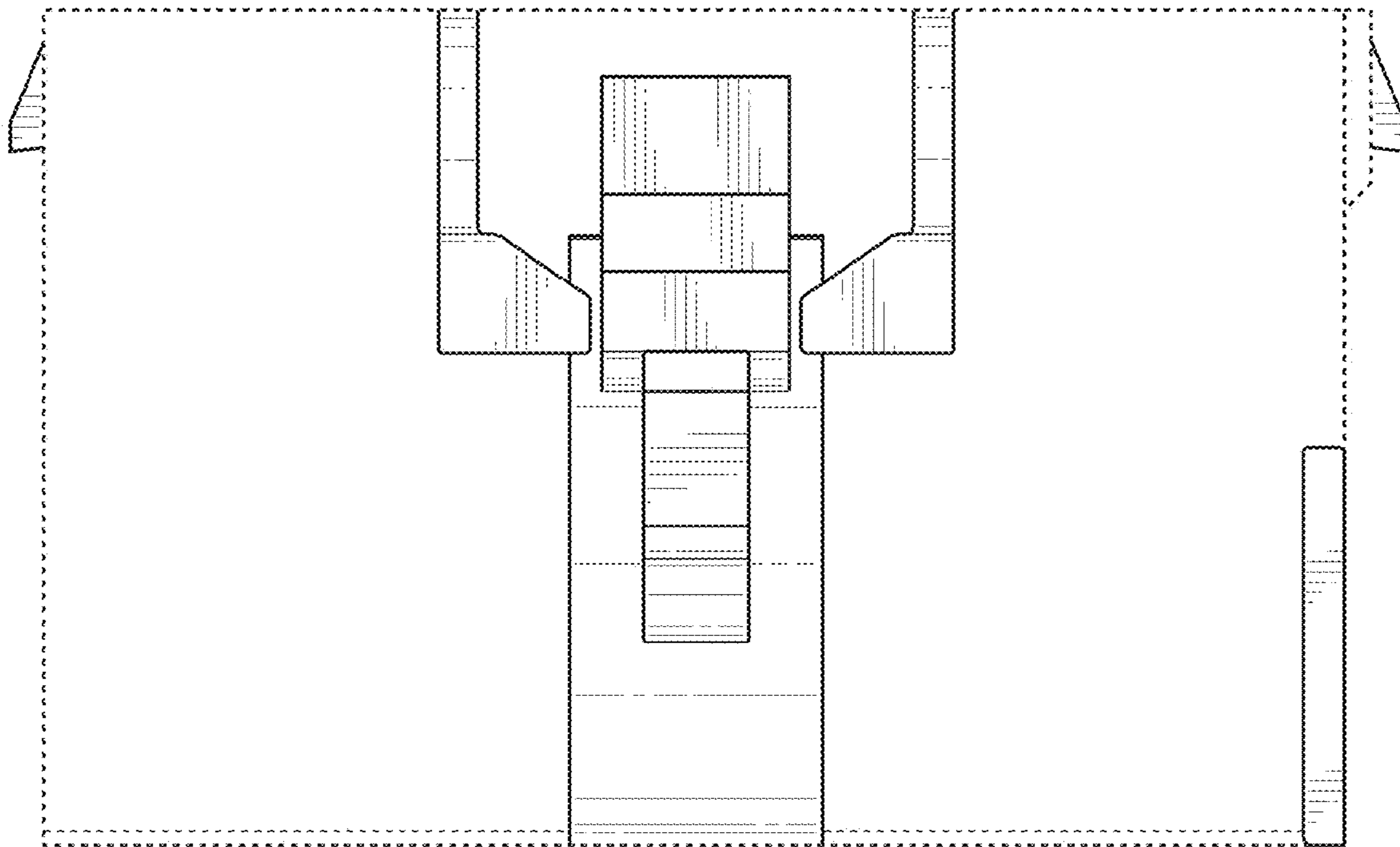


FIG. 39

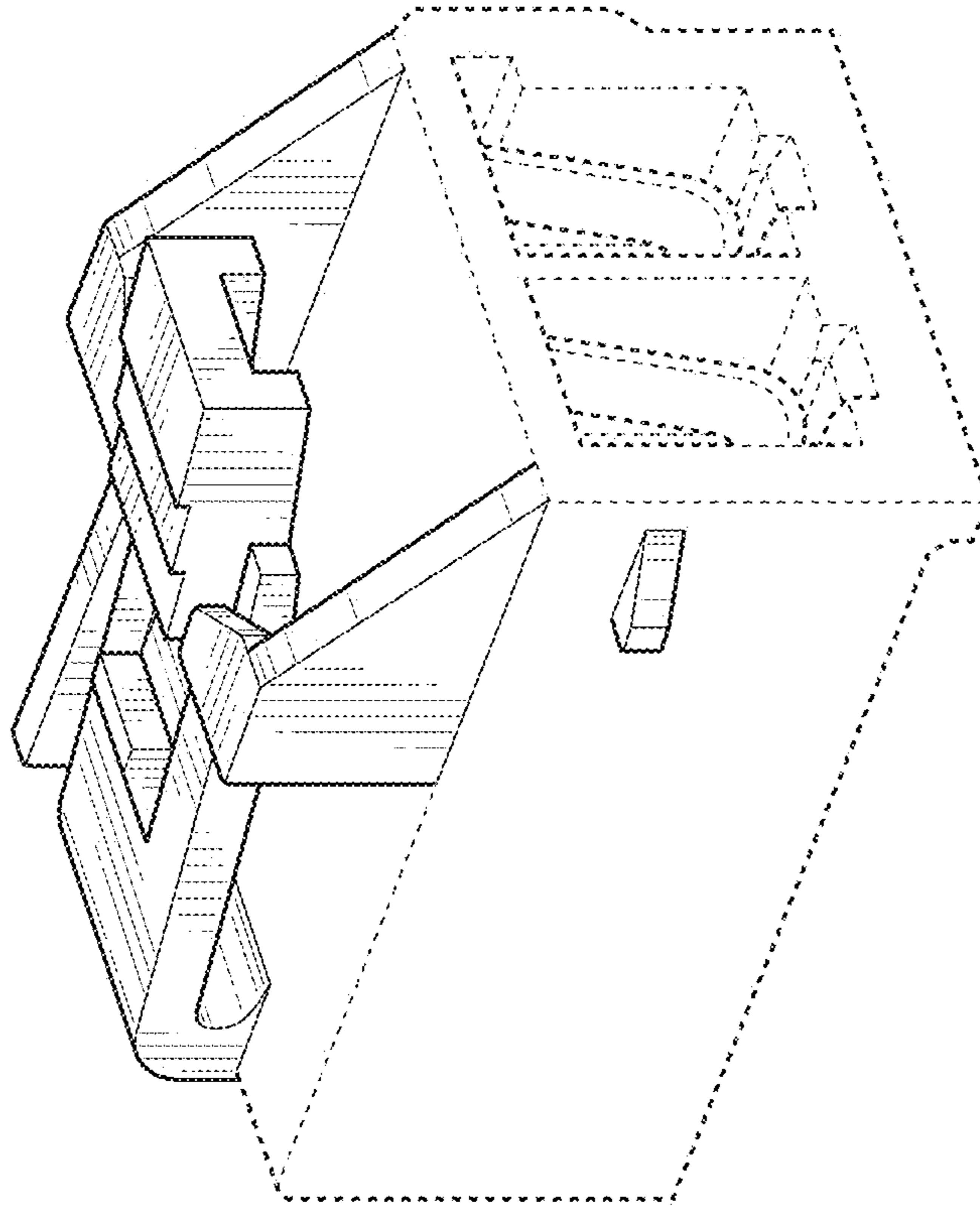


FIG. 42

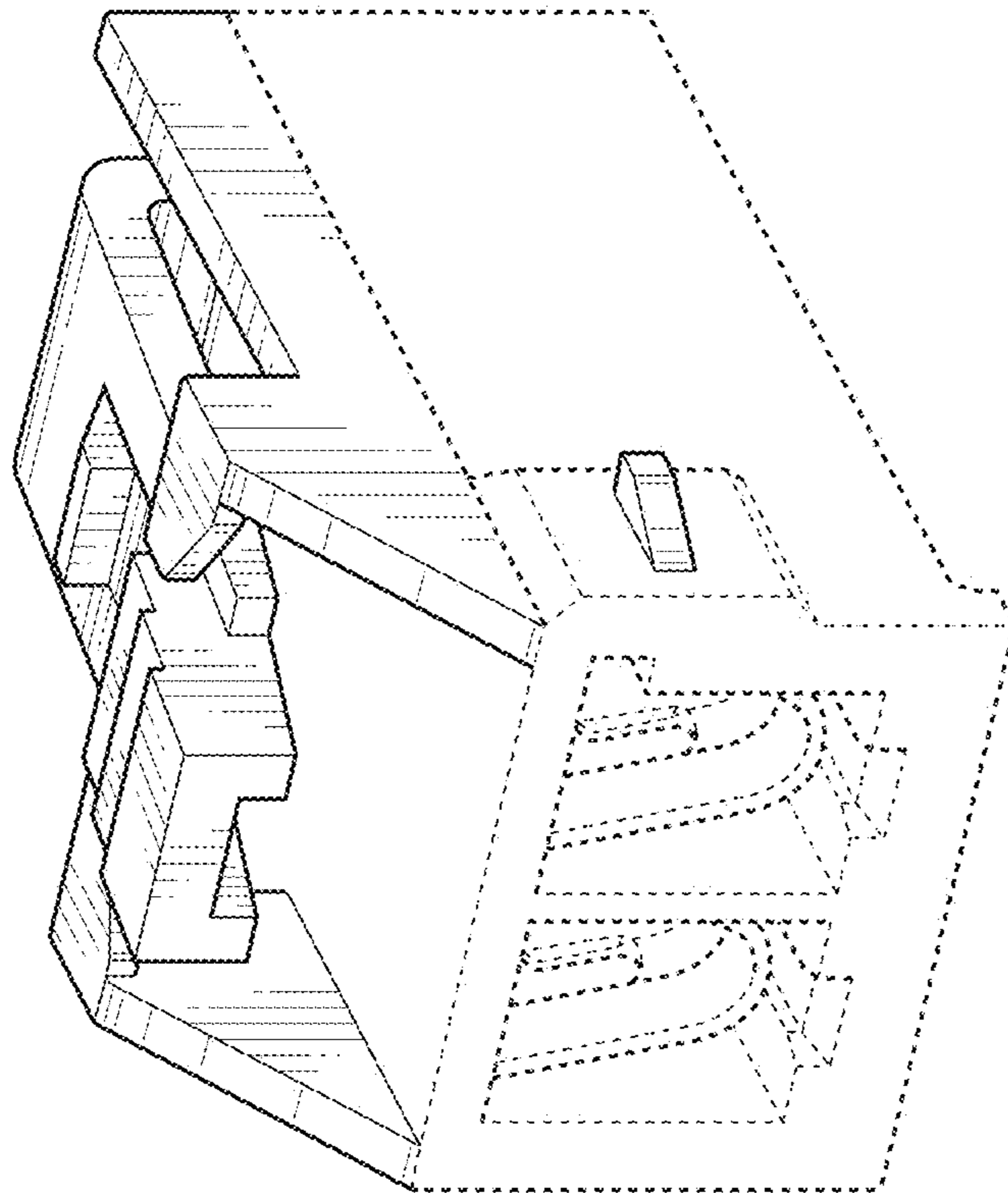


FIG. 41

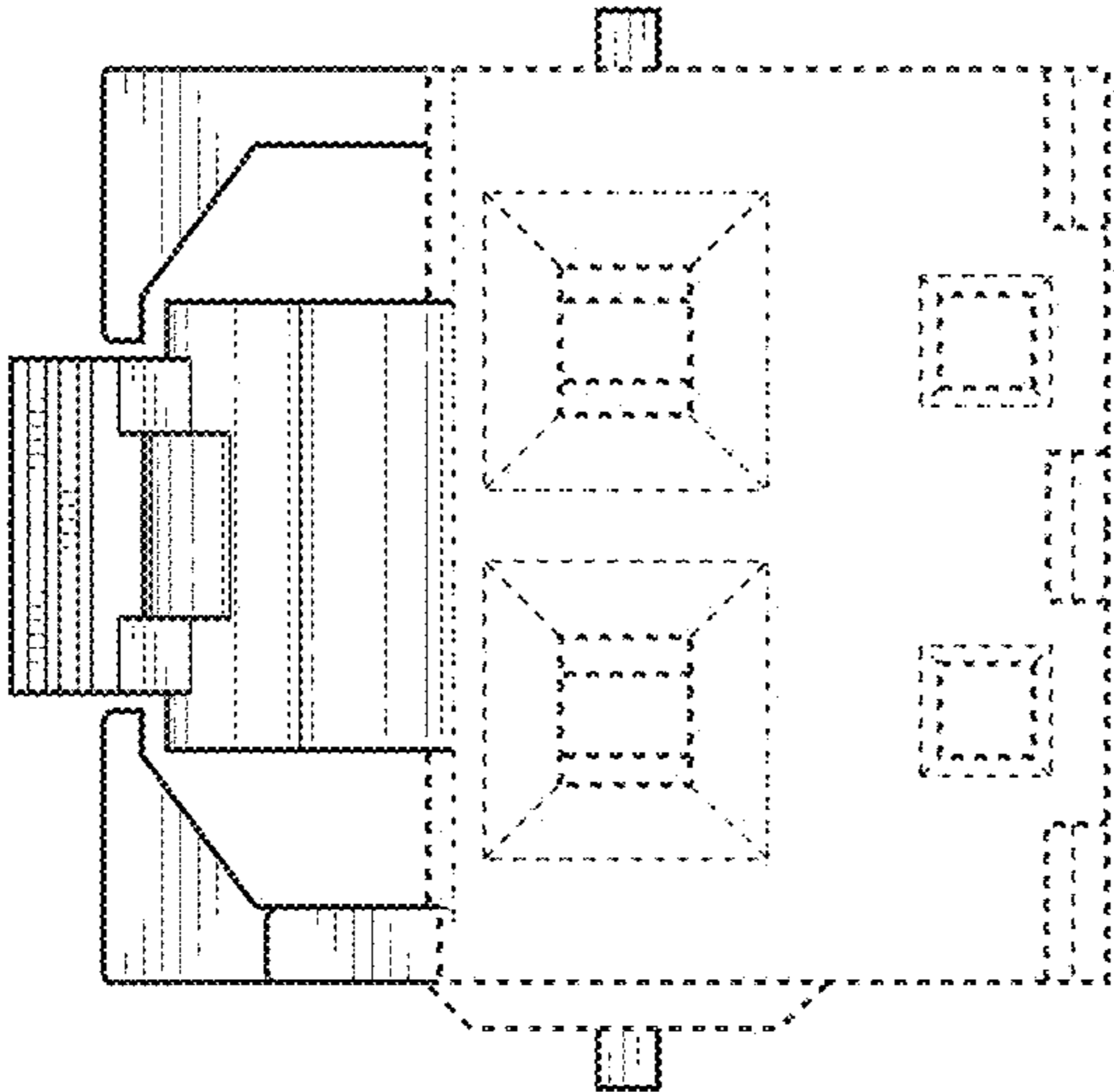


FIG. 44

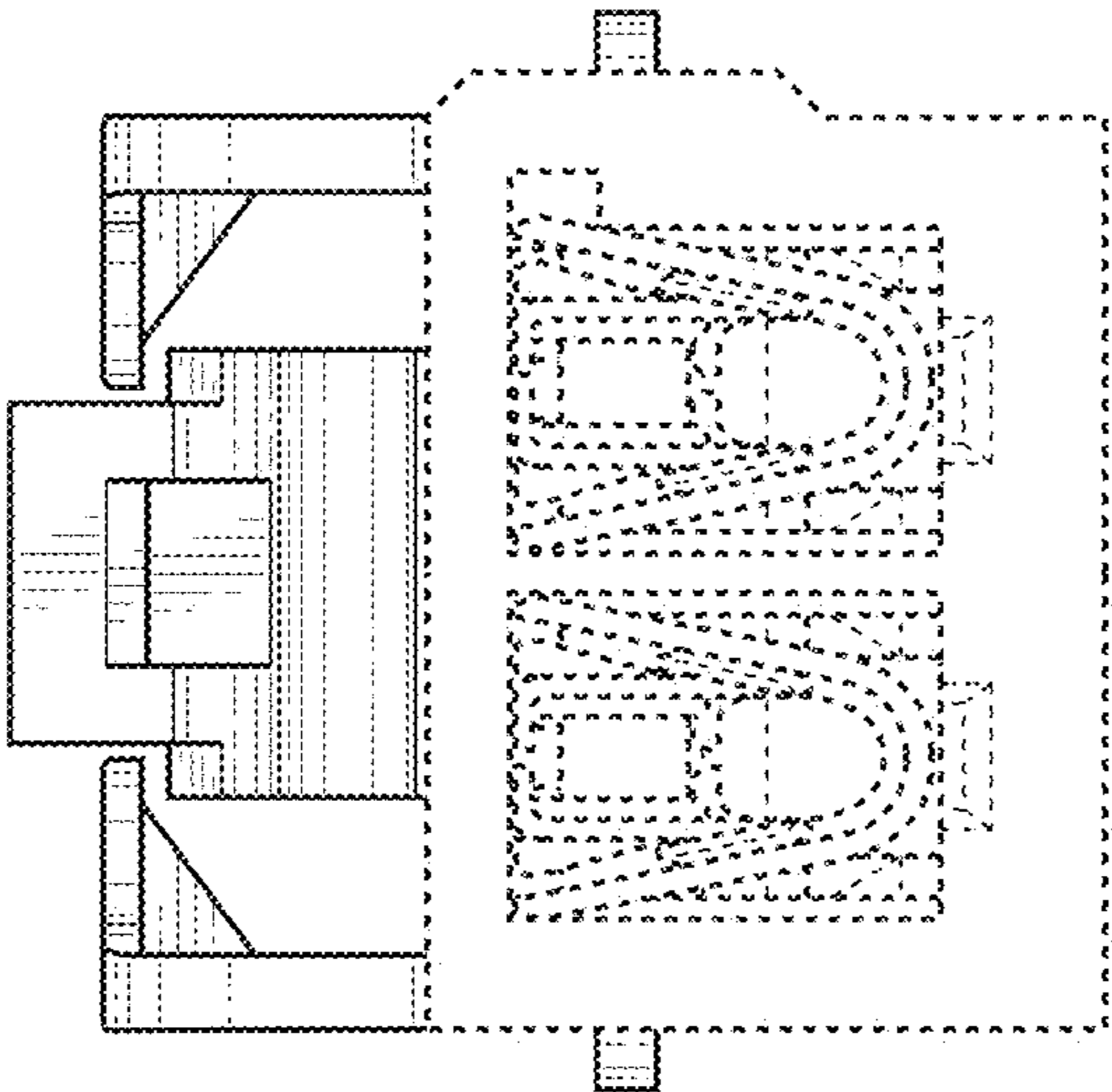


FIG. 43

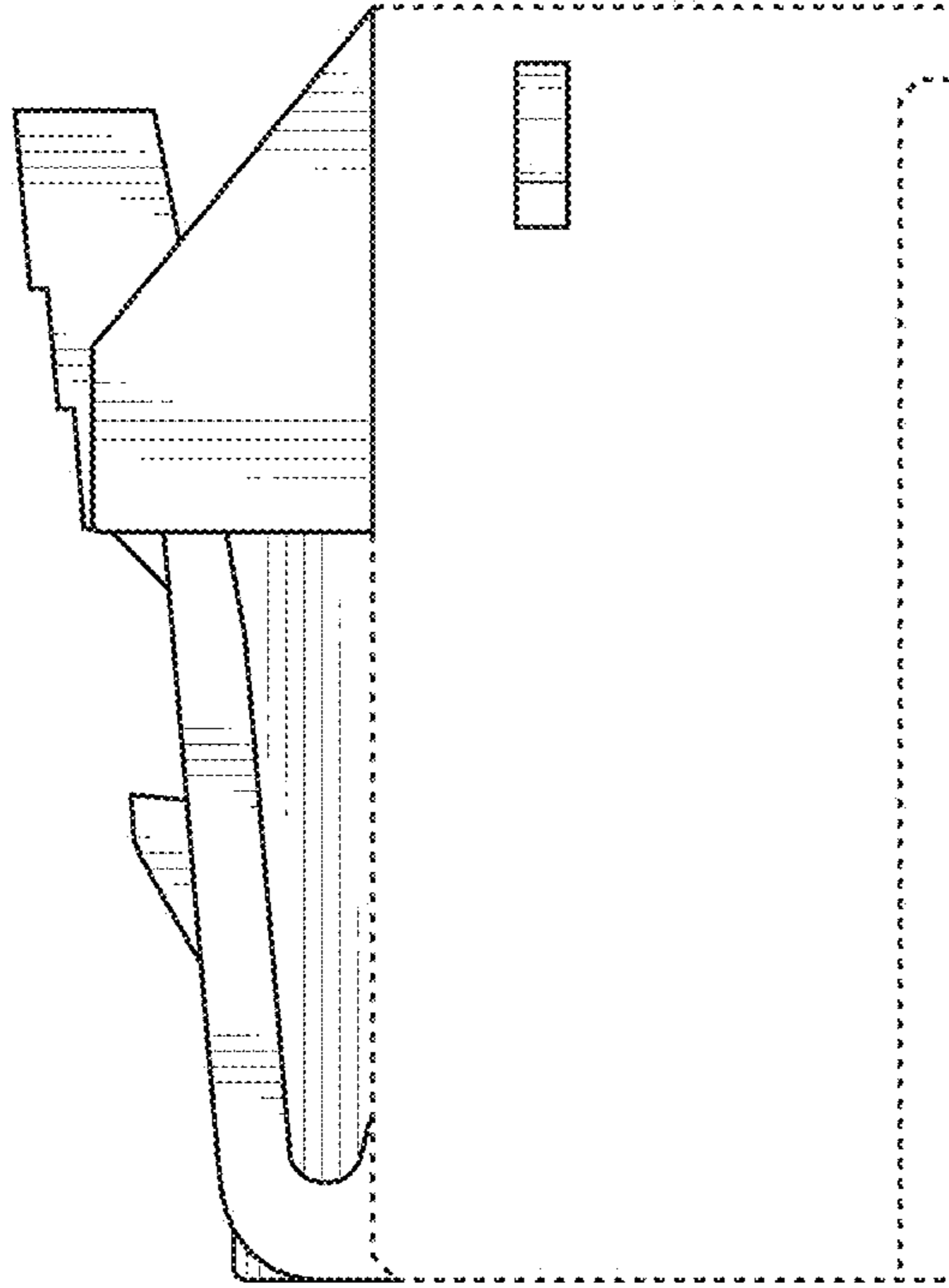


FIG. 46

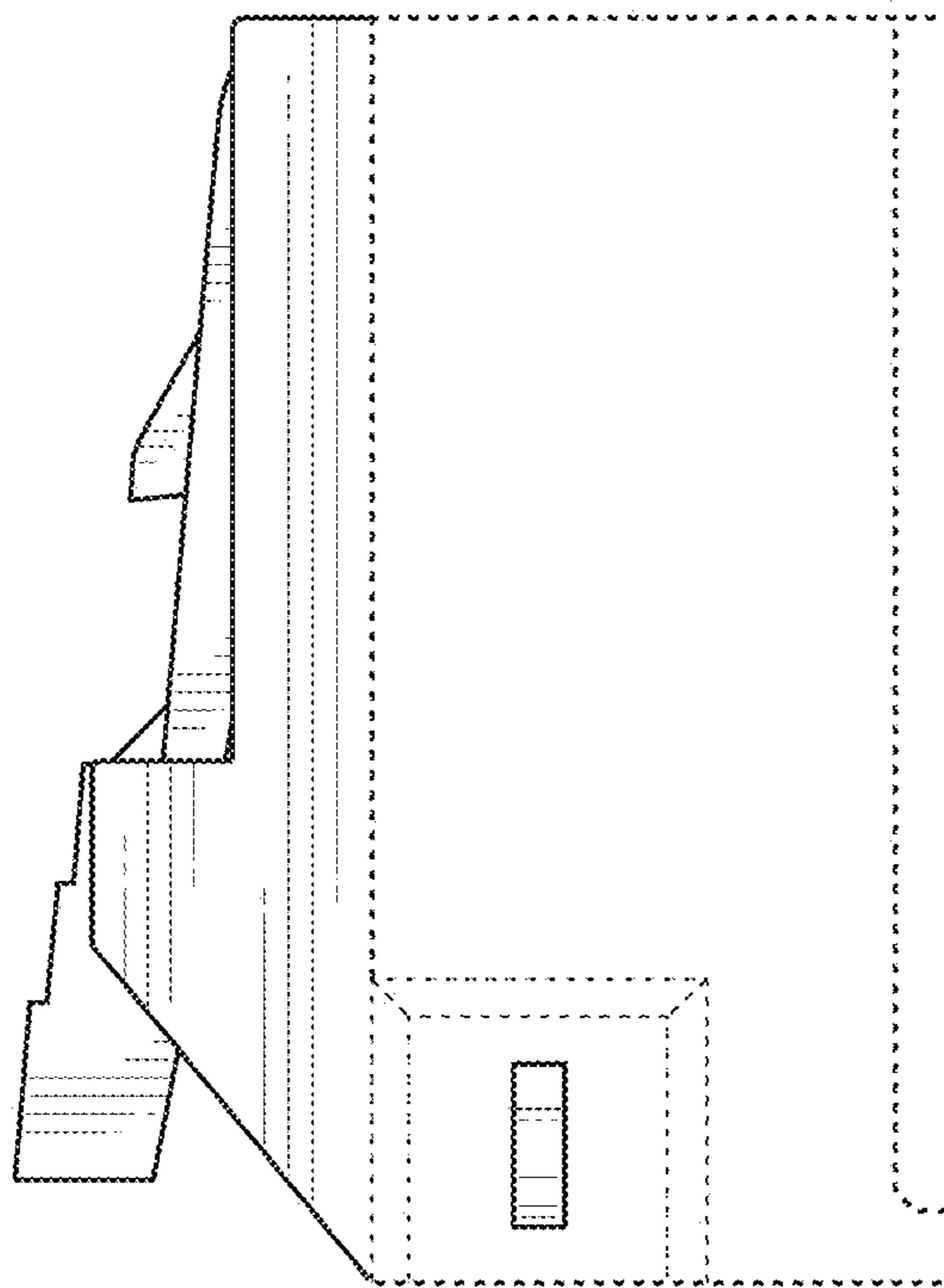


FIG. 45

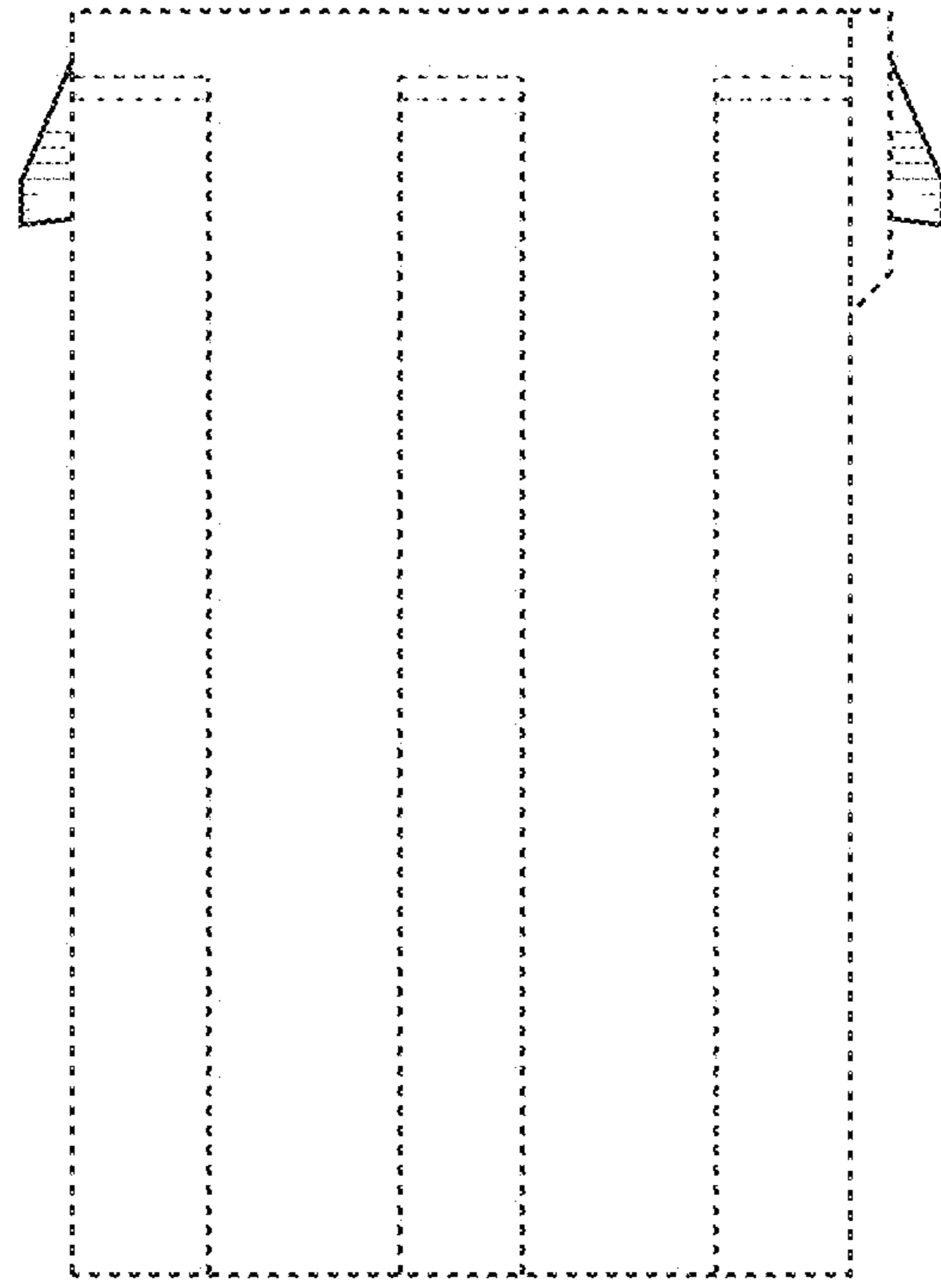


FIG. 48

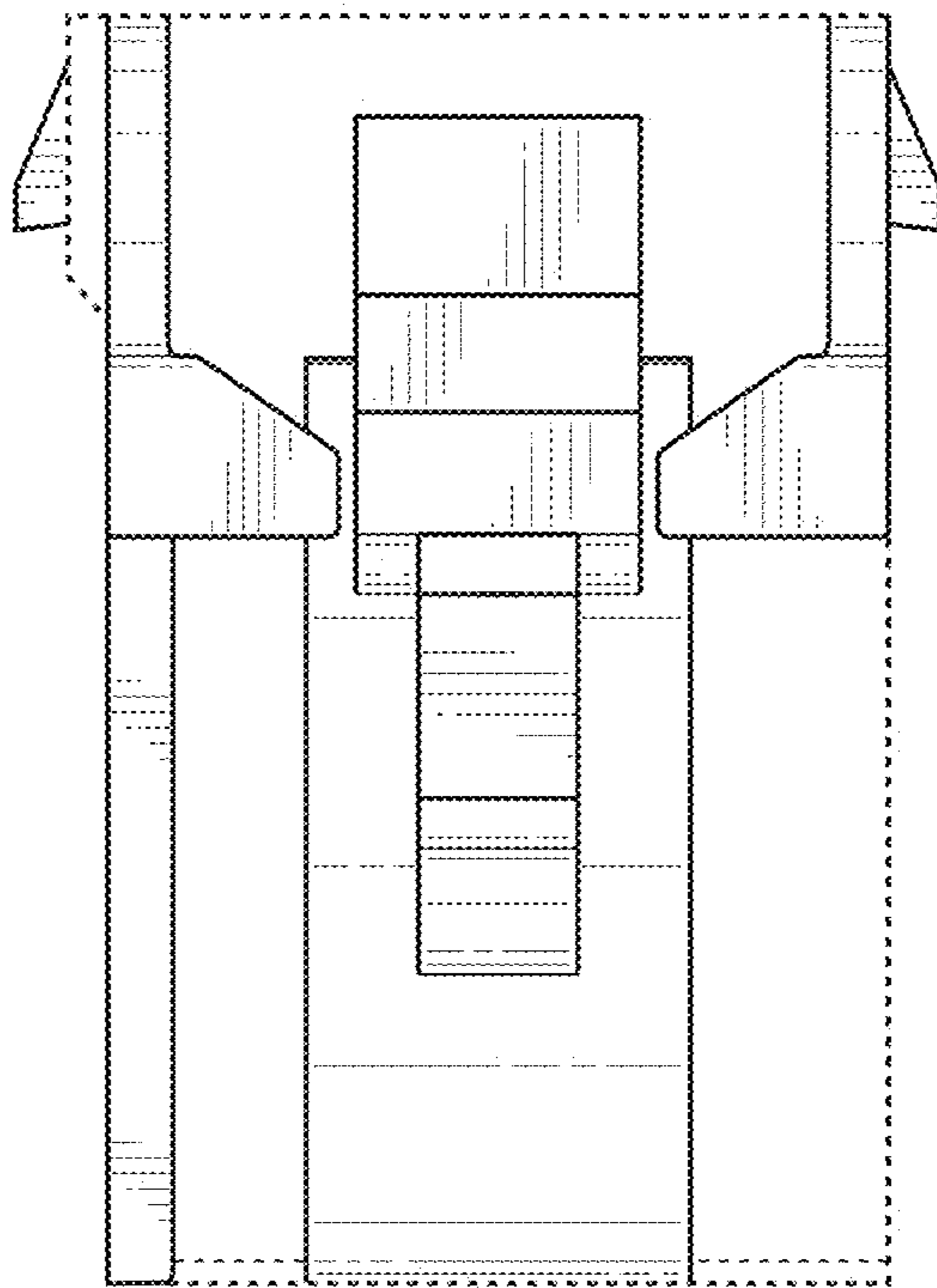


FIG. 47

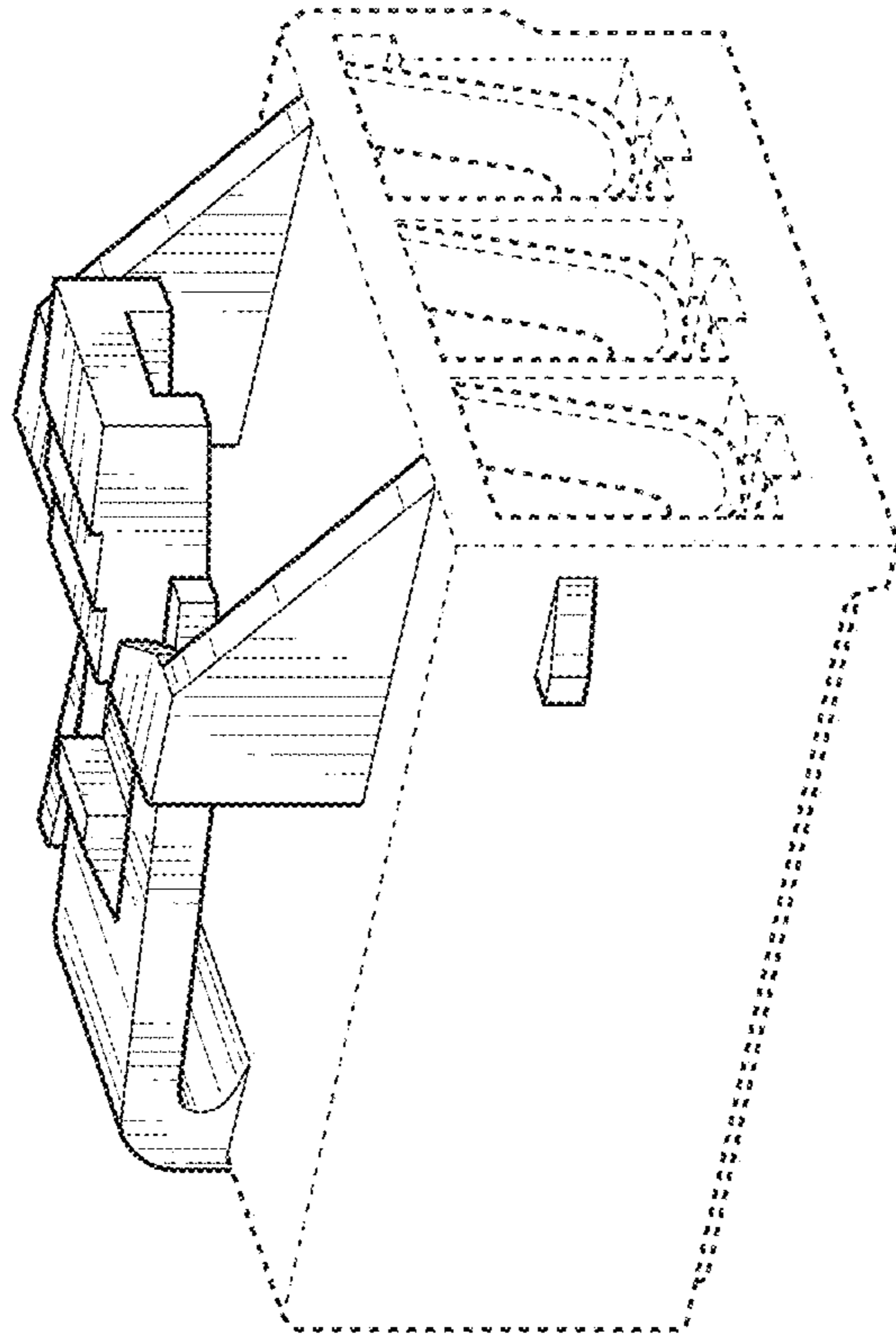


FIG. 50

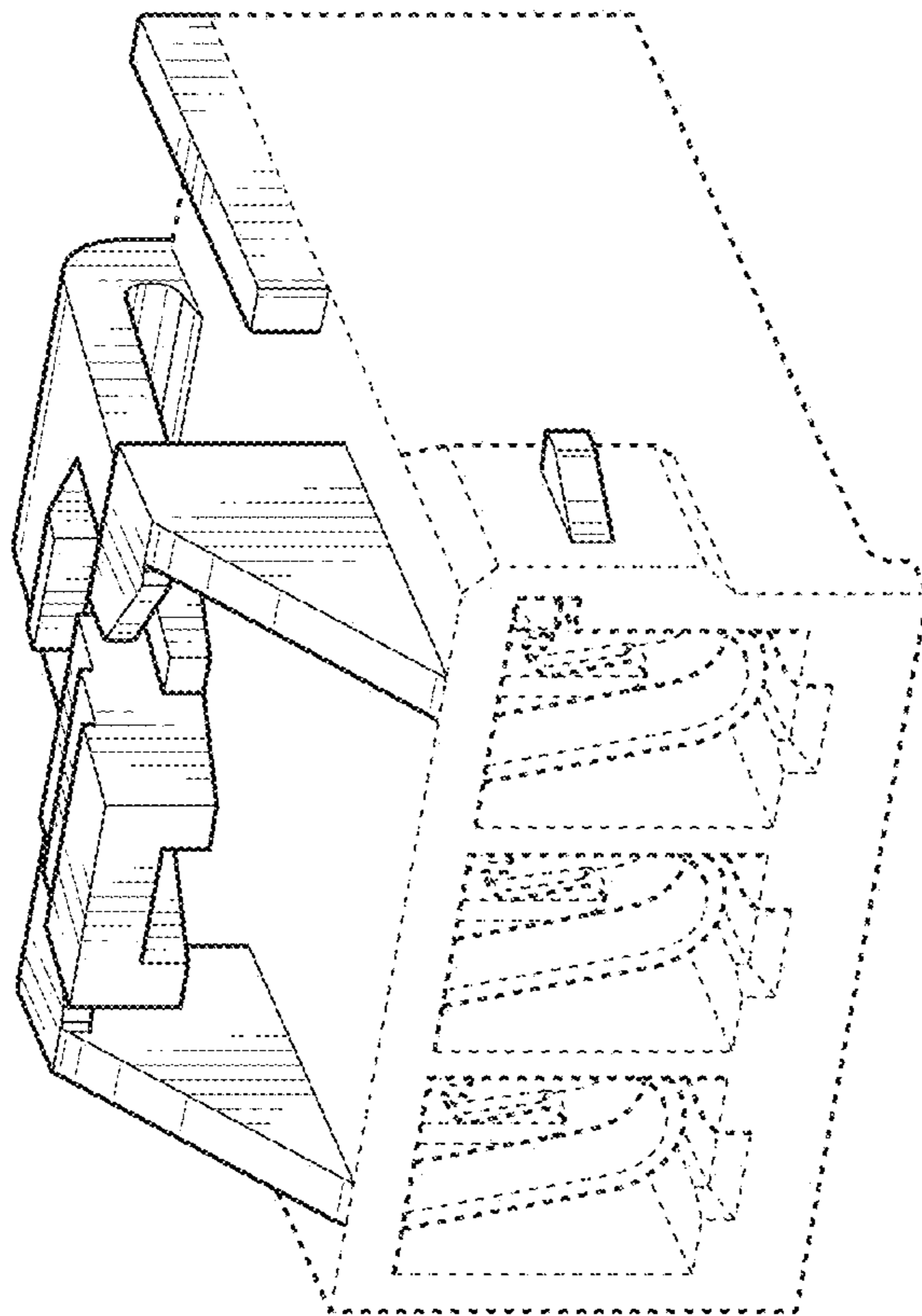


FIG. 49

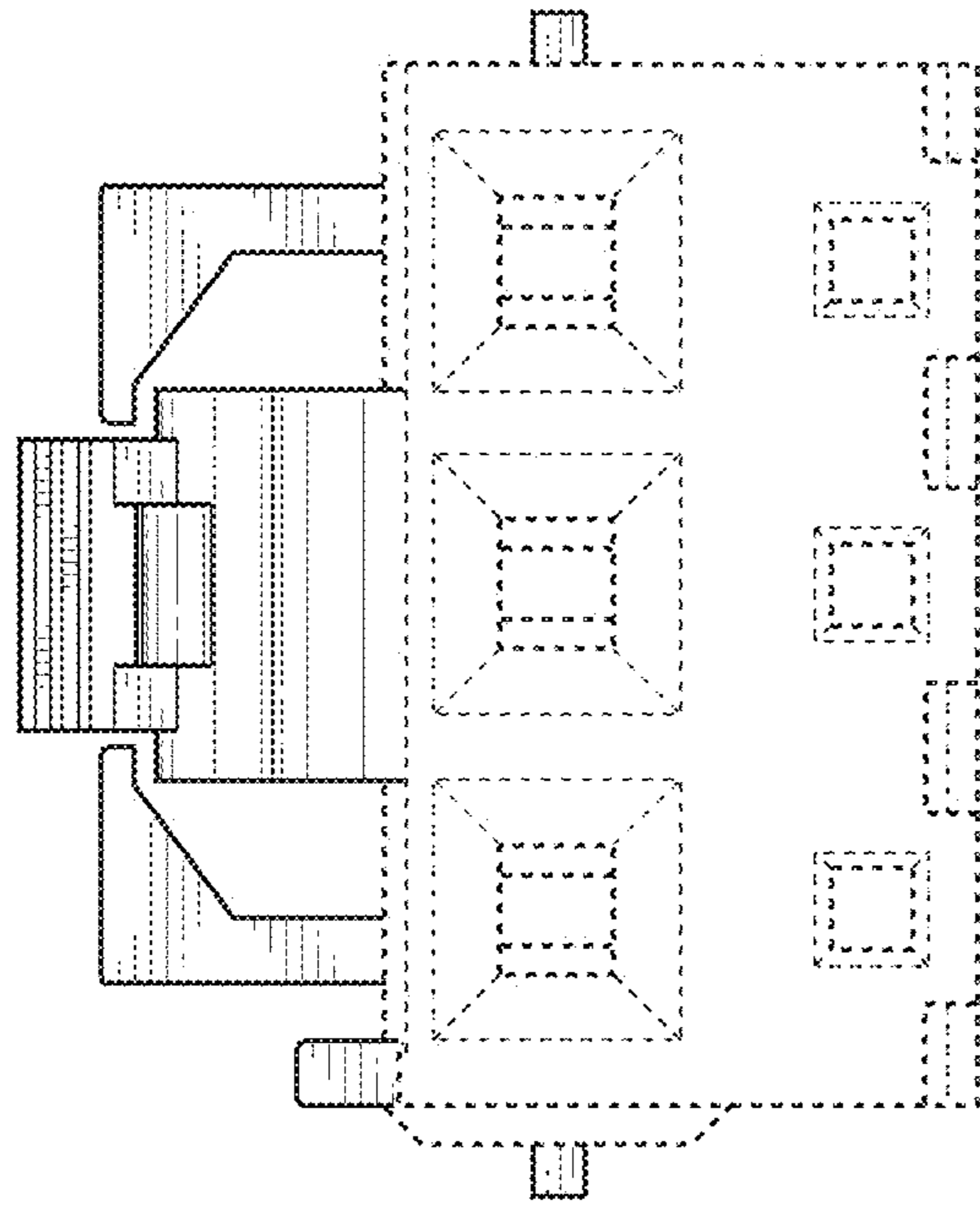


FIG. 52

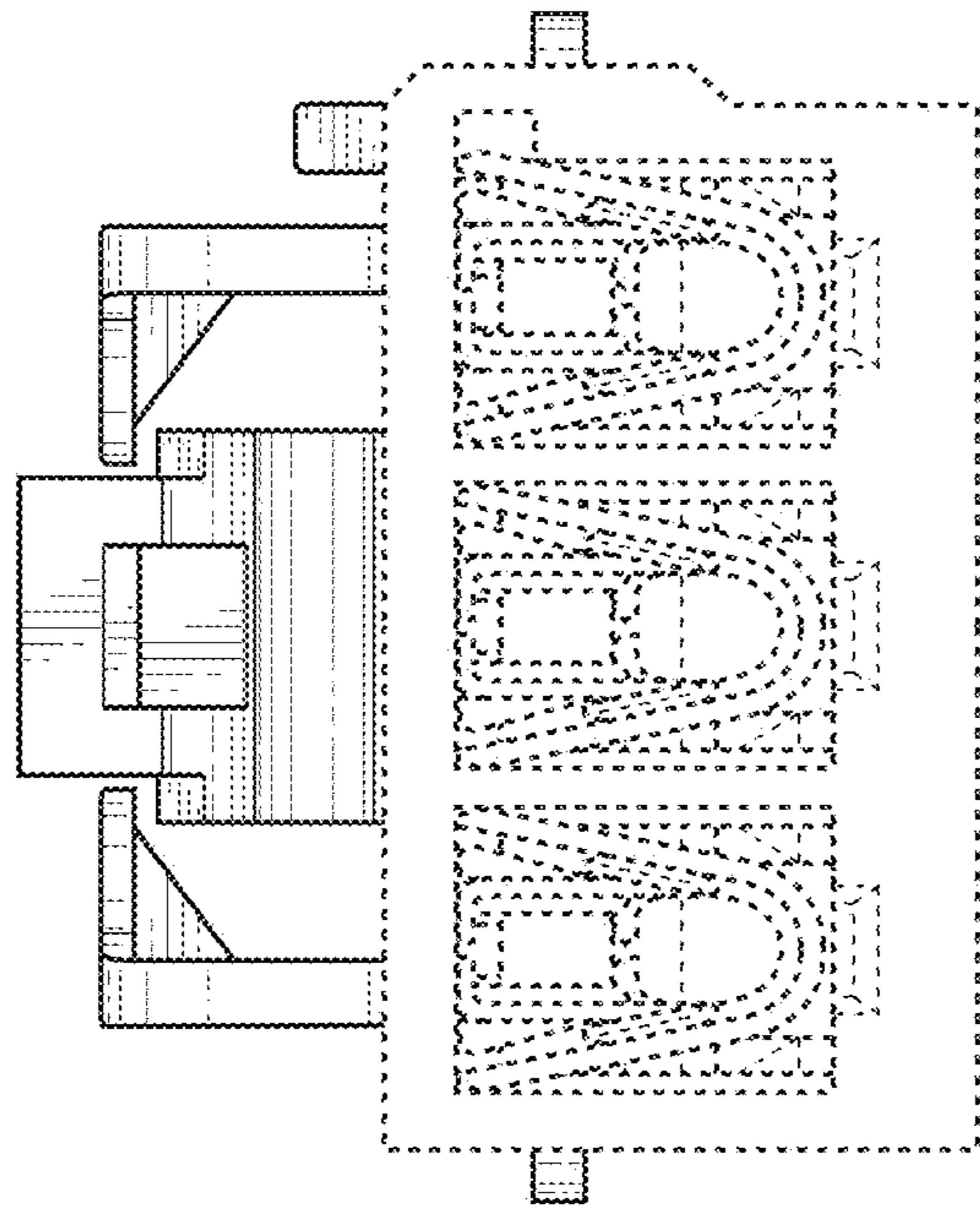


FIG. 51

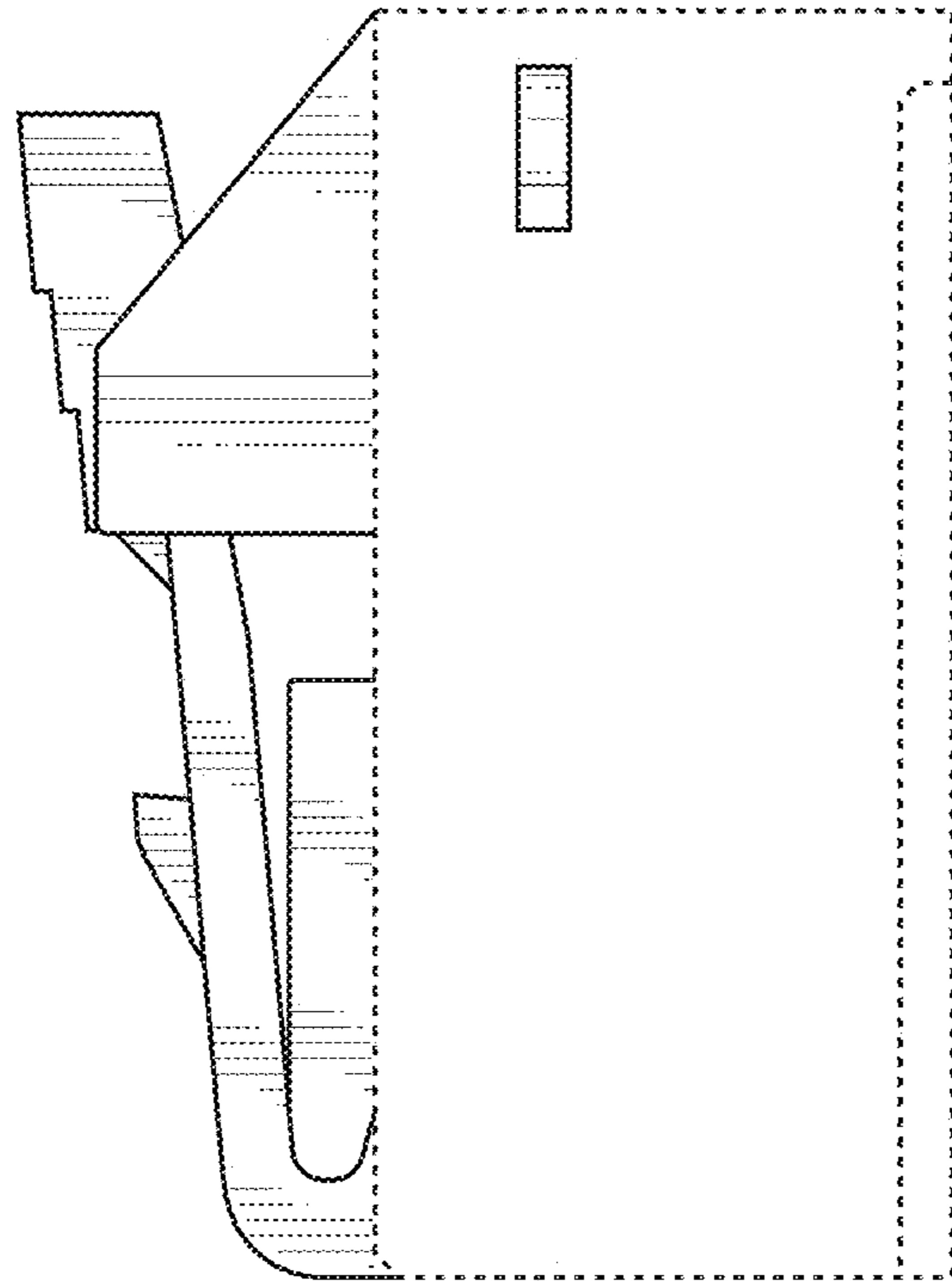


FIG. 53

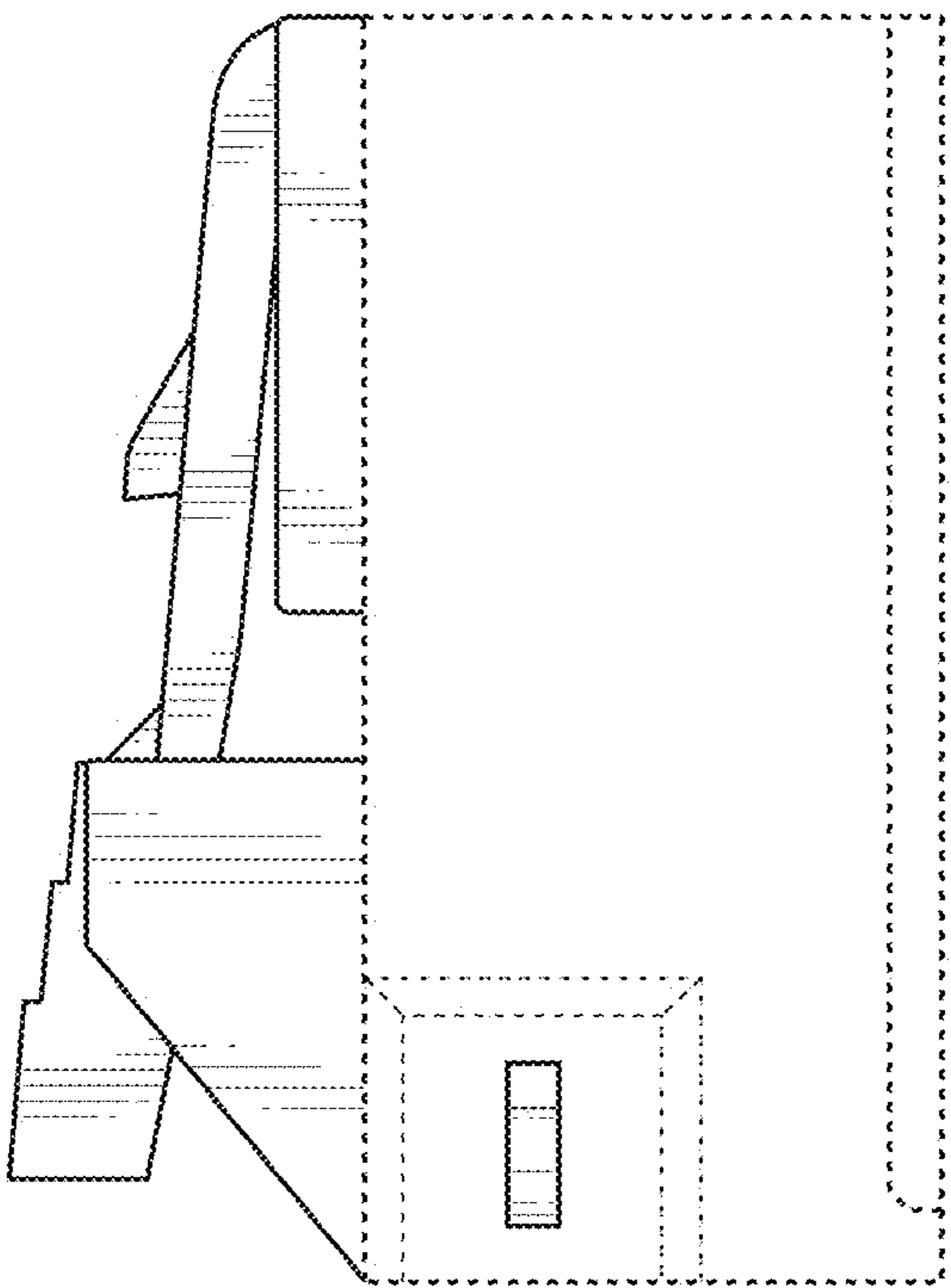


FIG. 54

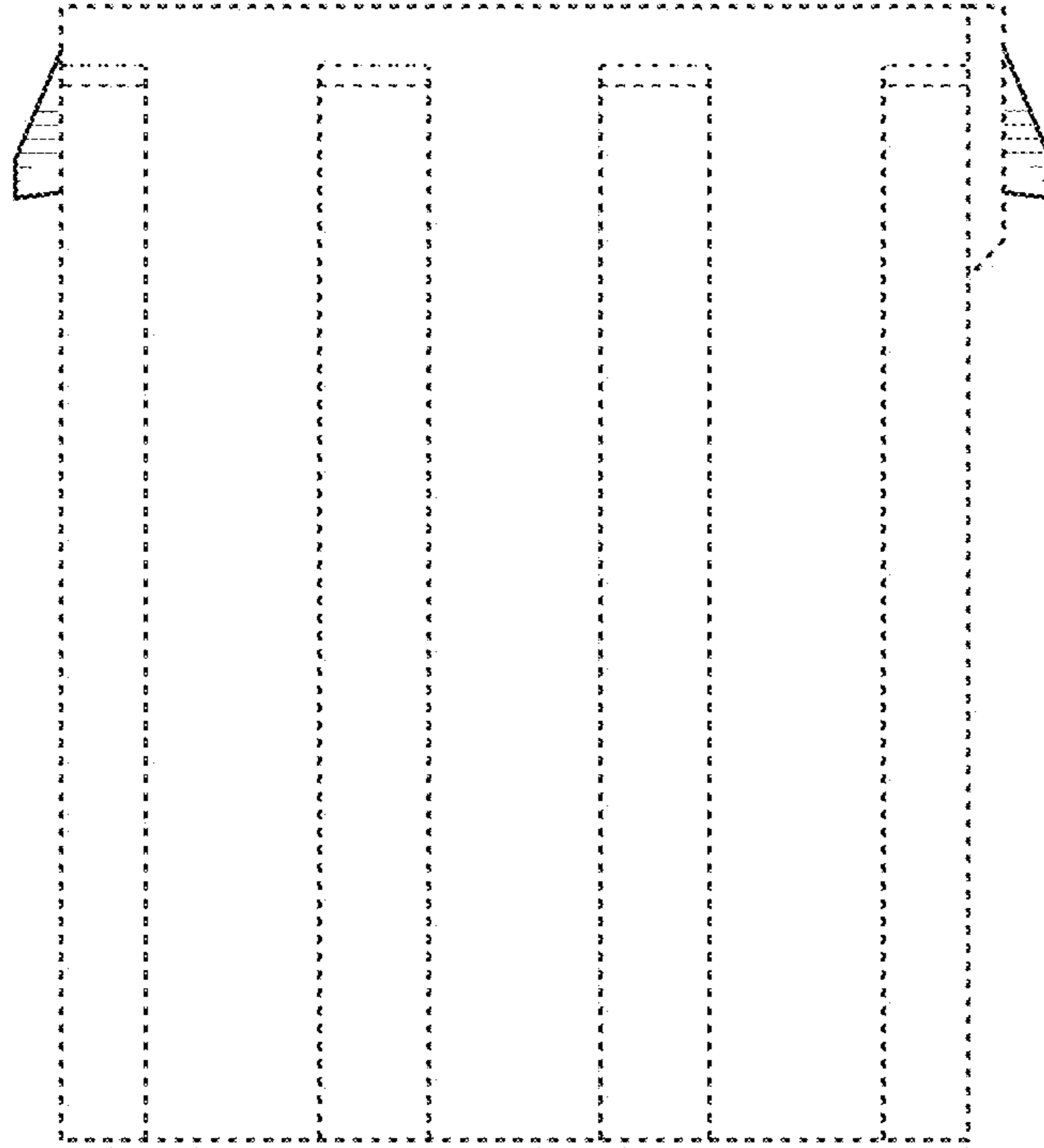


FIG. 56

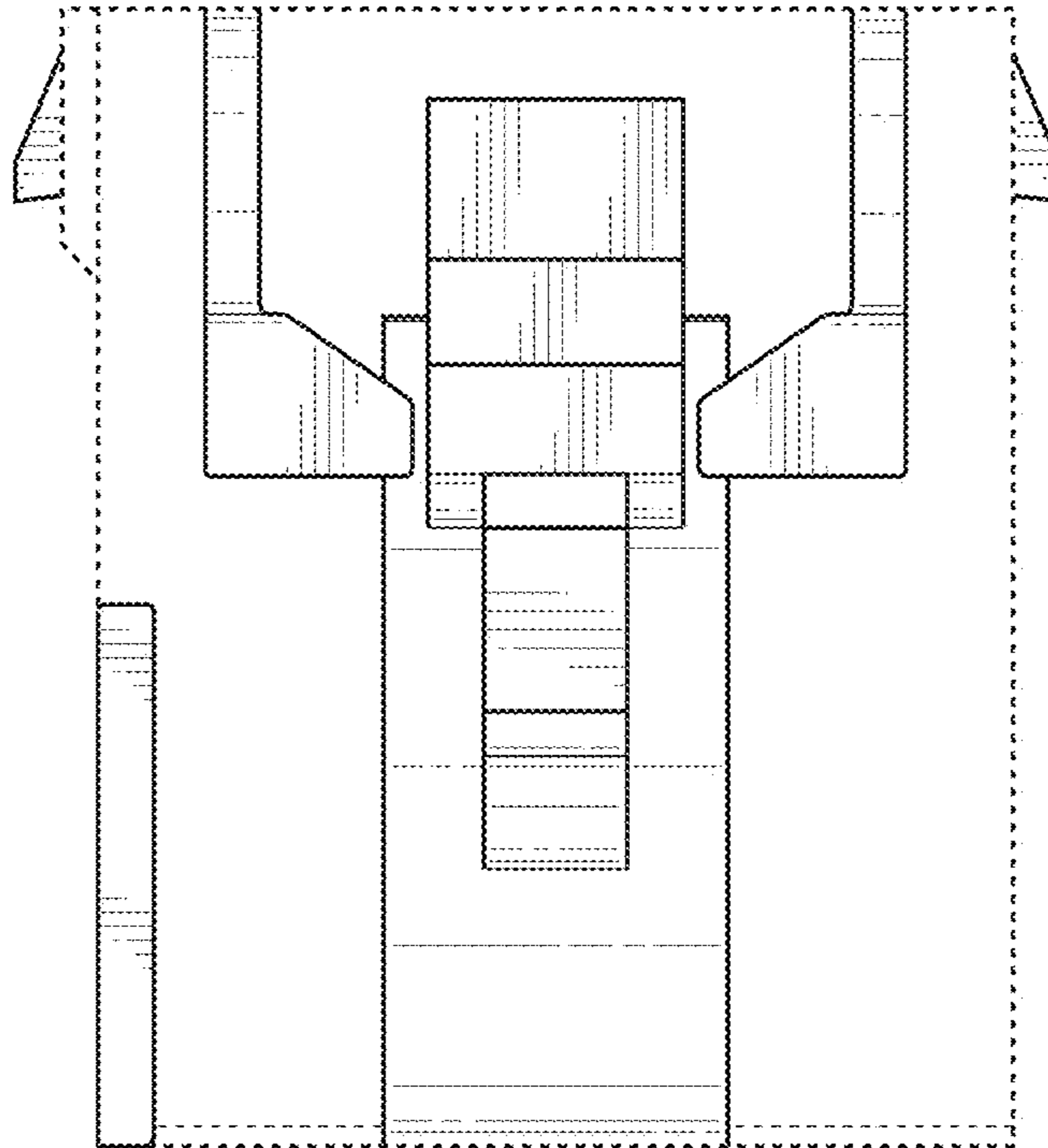


FIG. 55

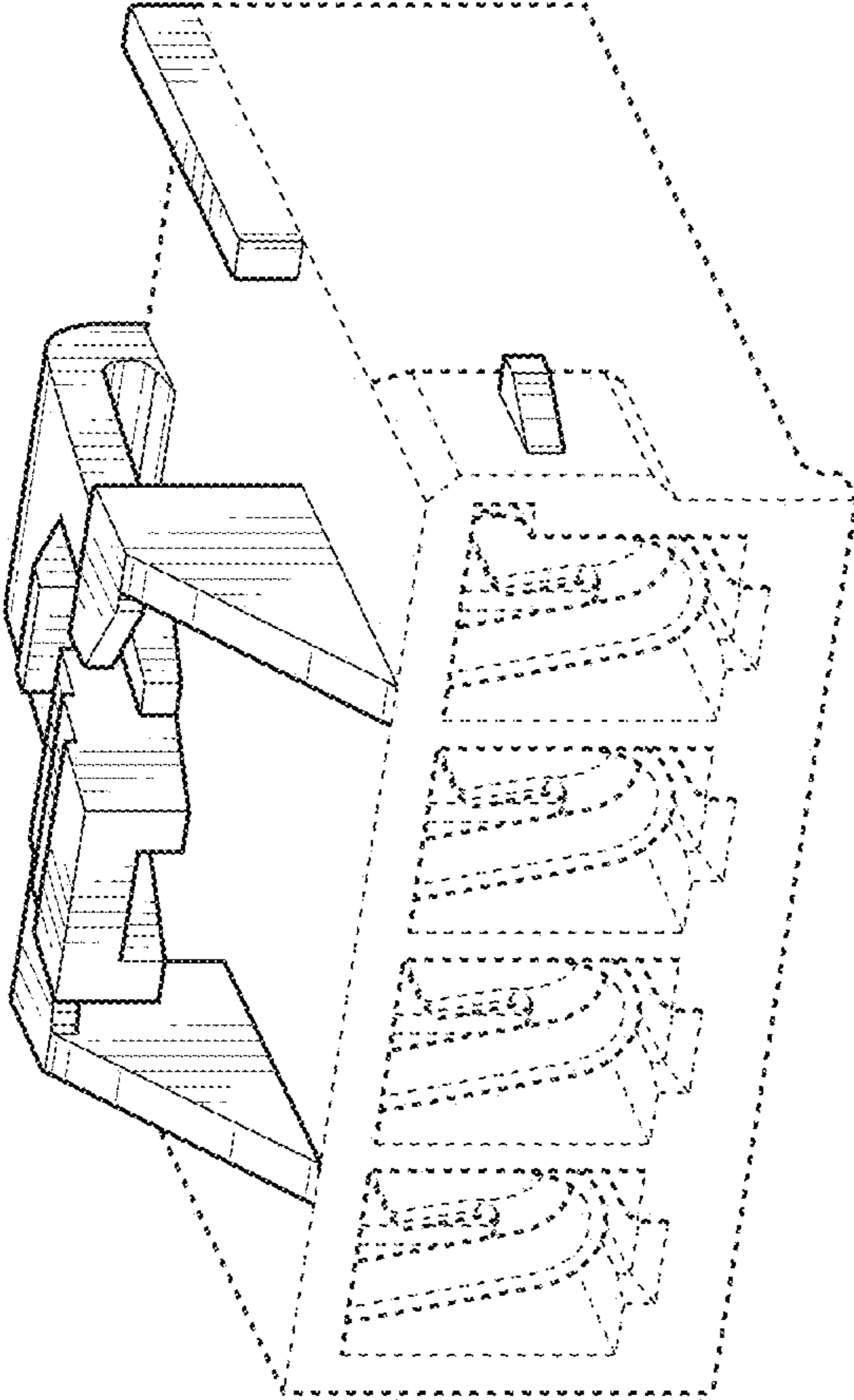


FIG. 57

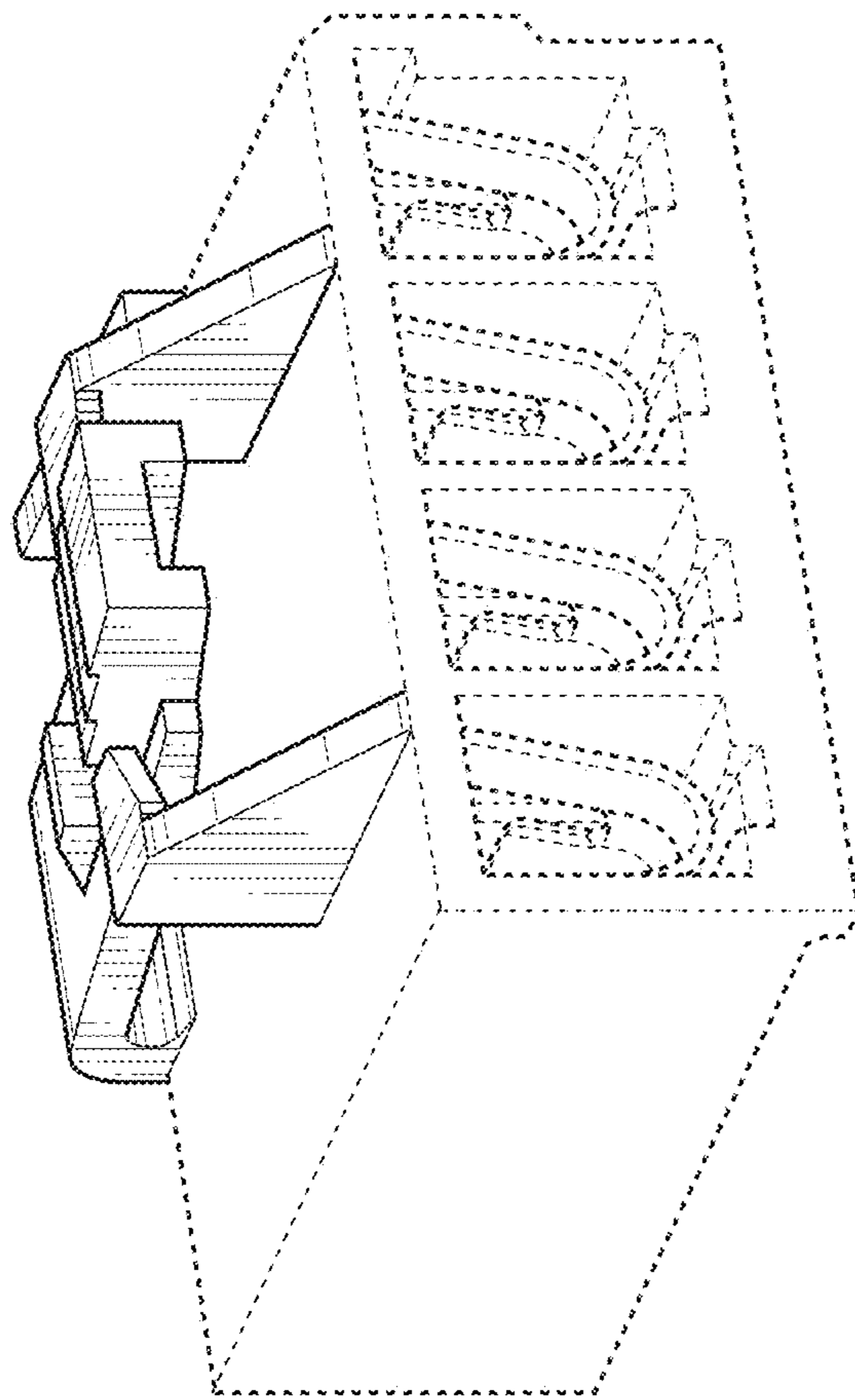


FIG. 58

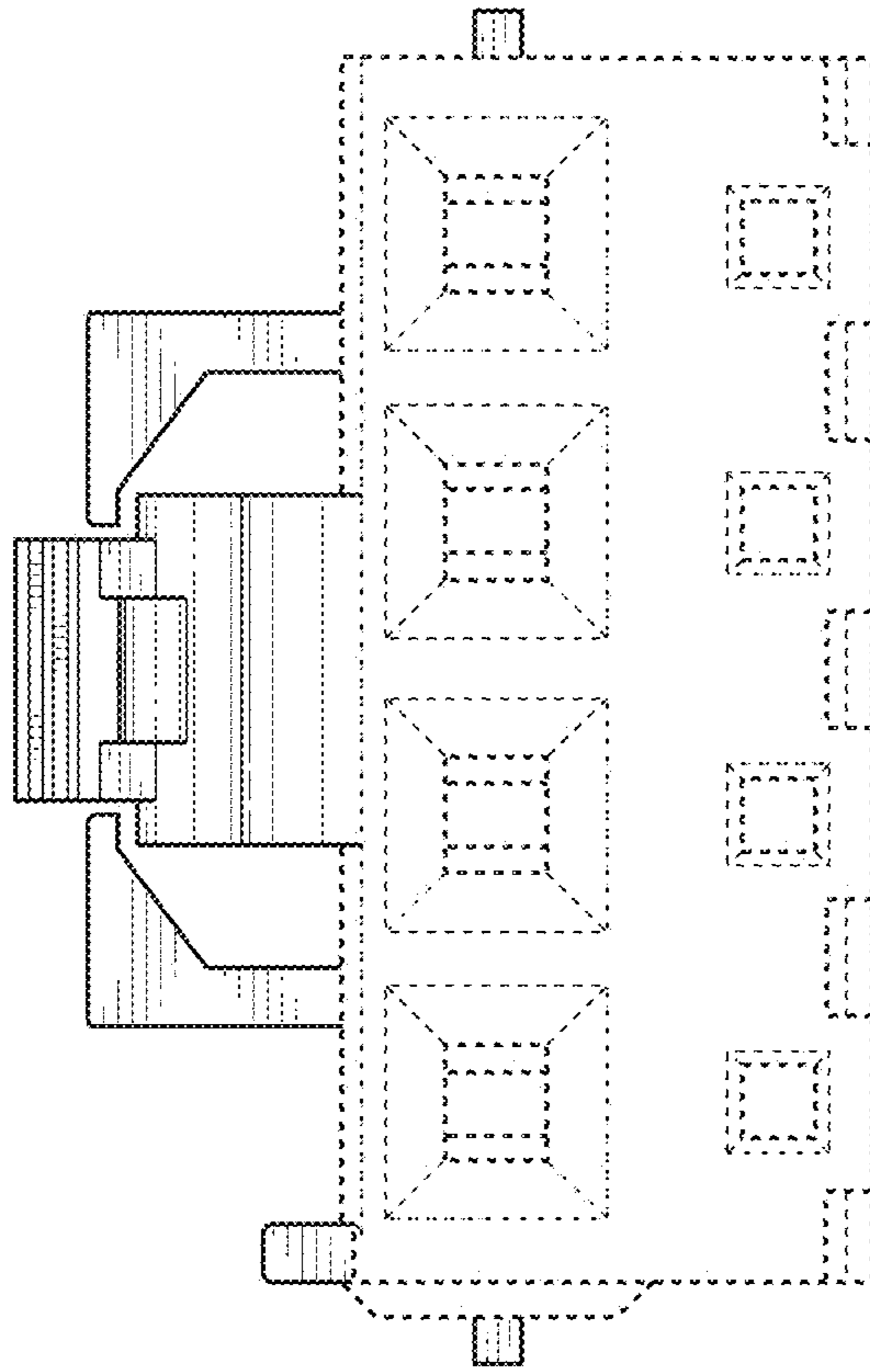


FIG. 59

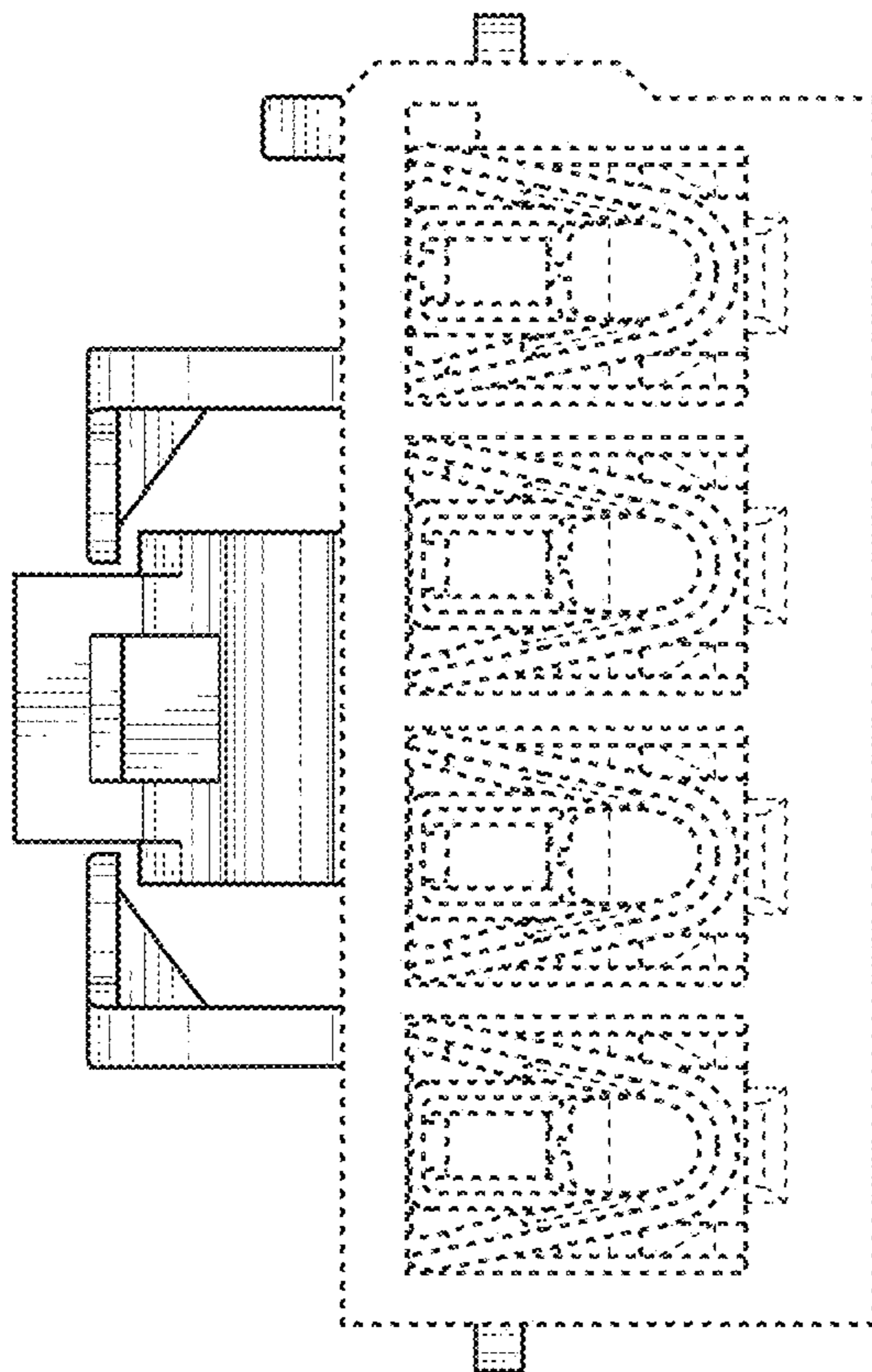


FIG. 60

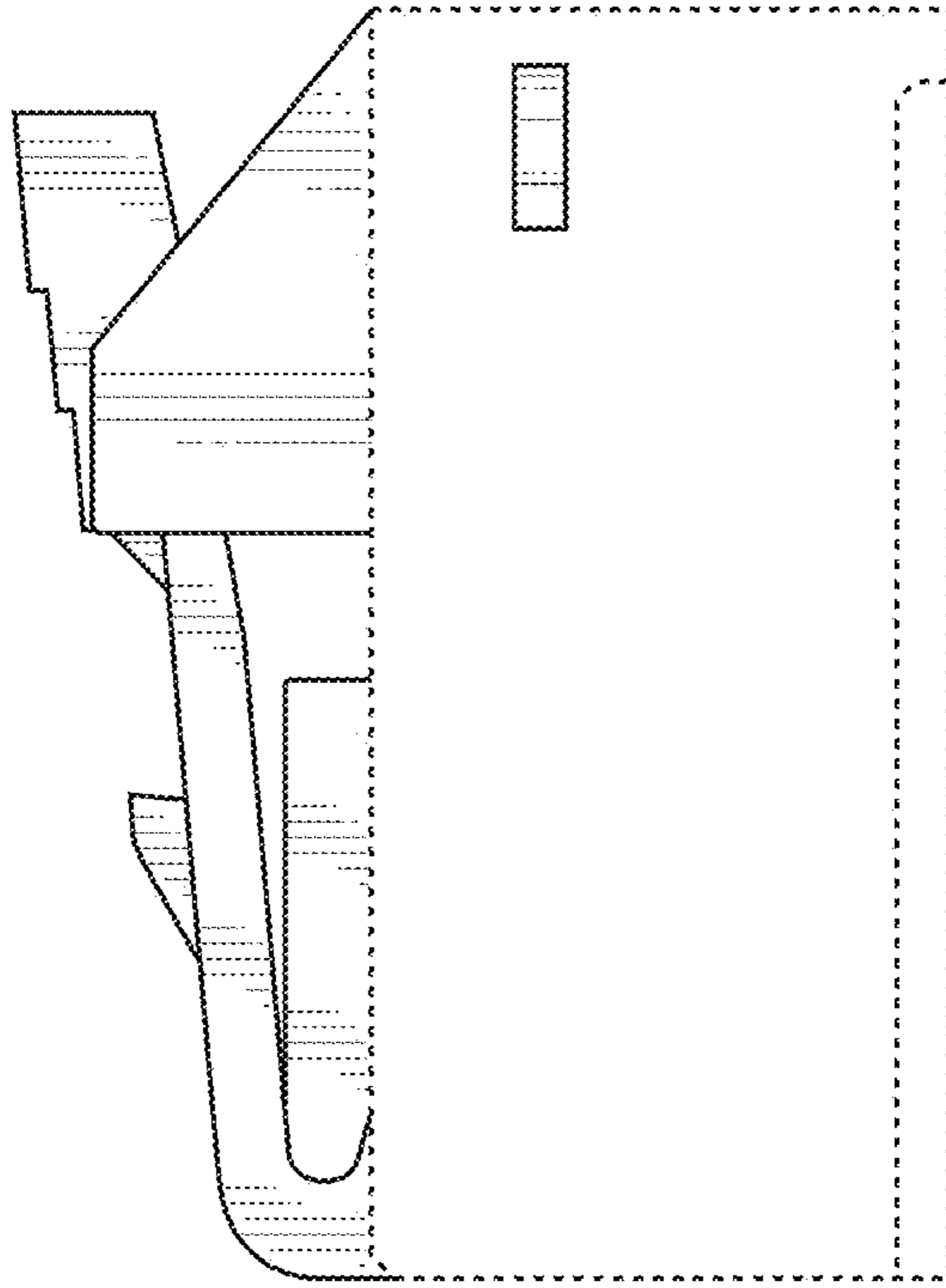


FIG. 62

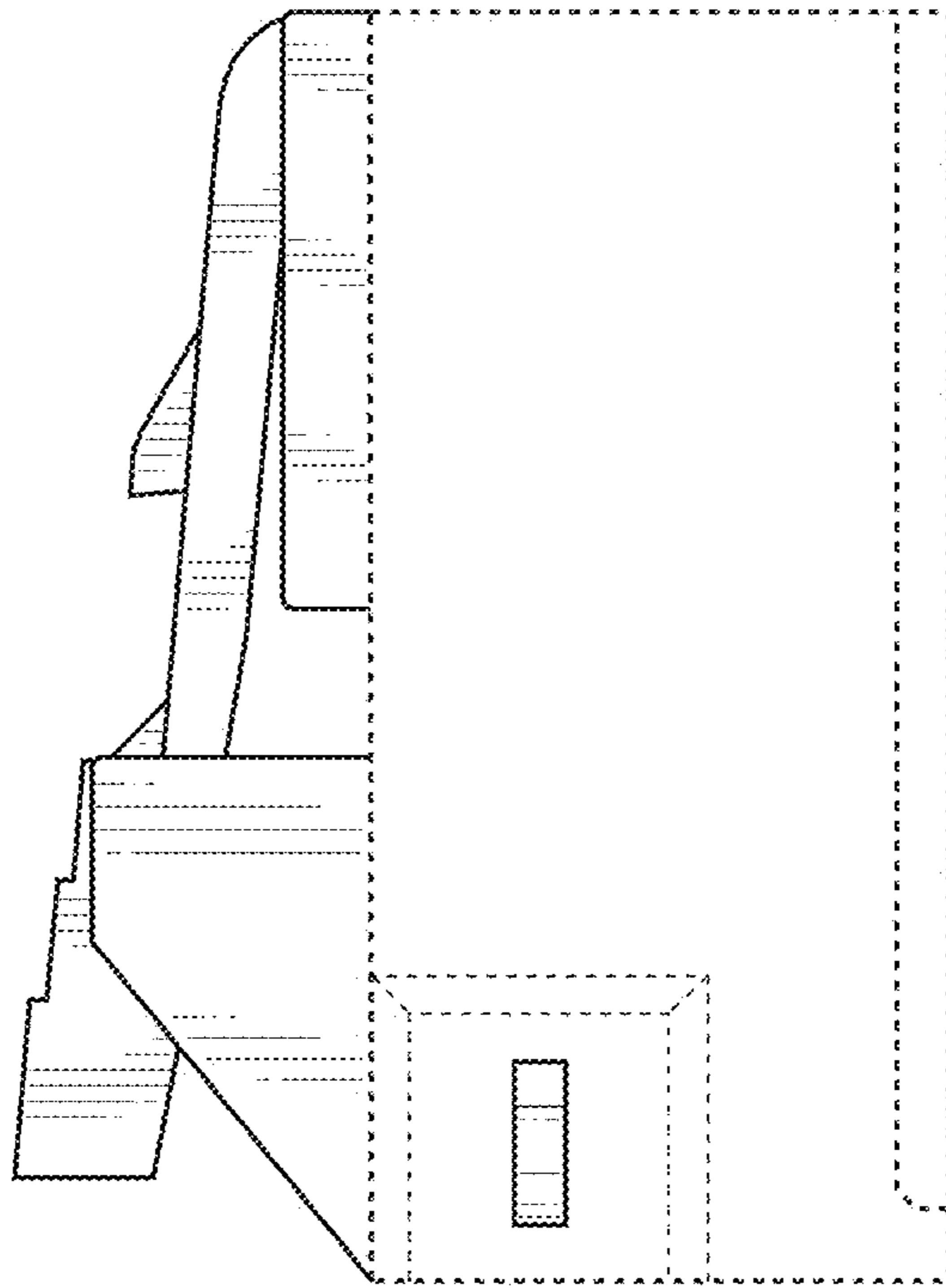


FIG. 61

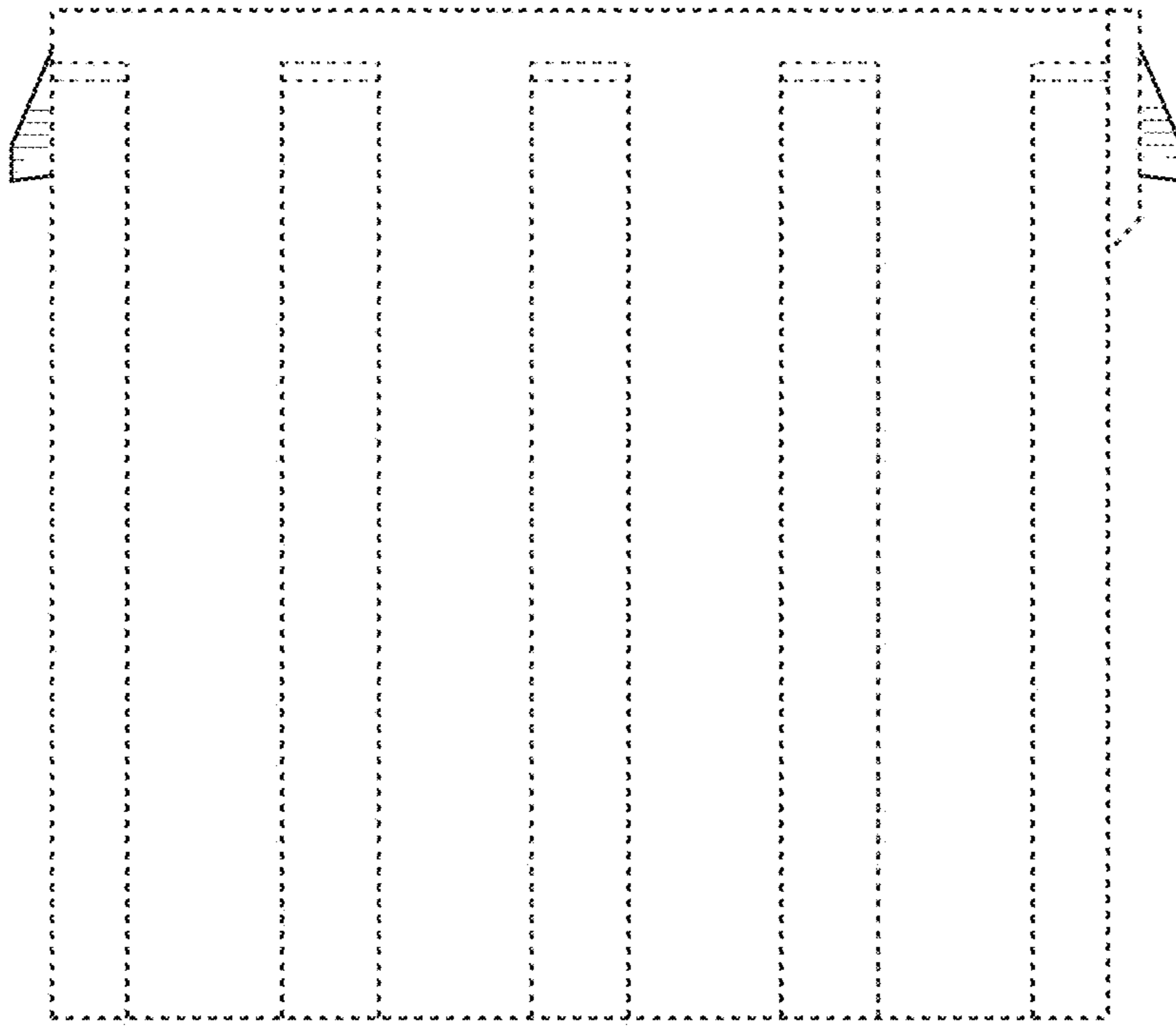


FIG. 64

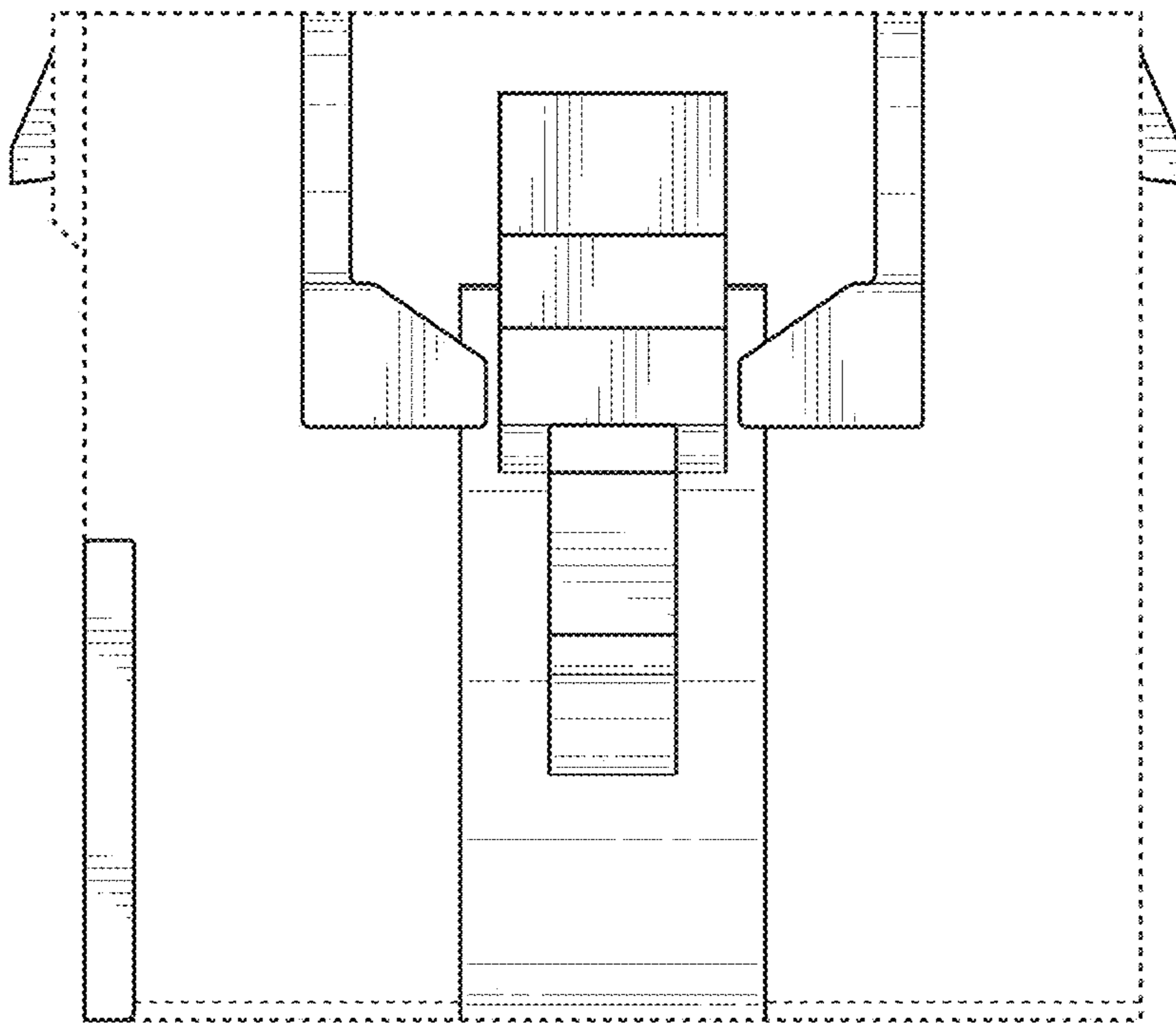


FIG. 63

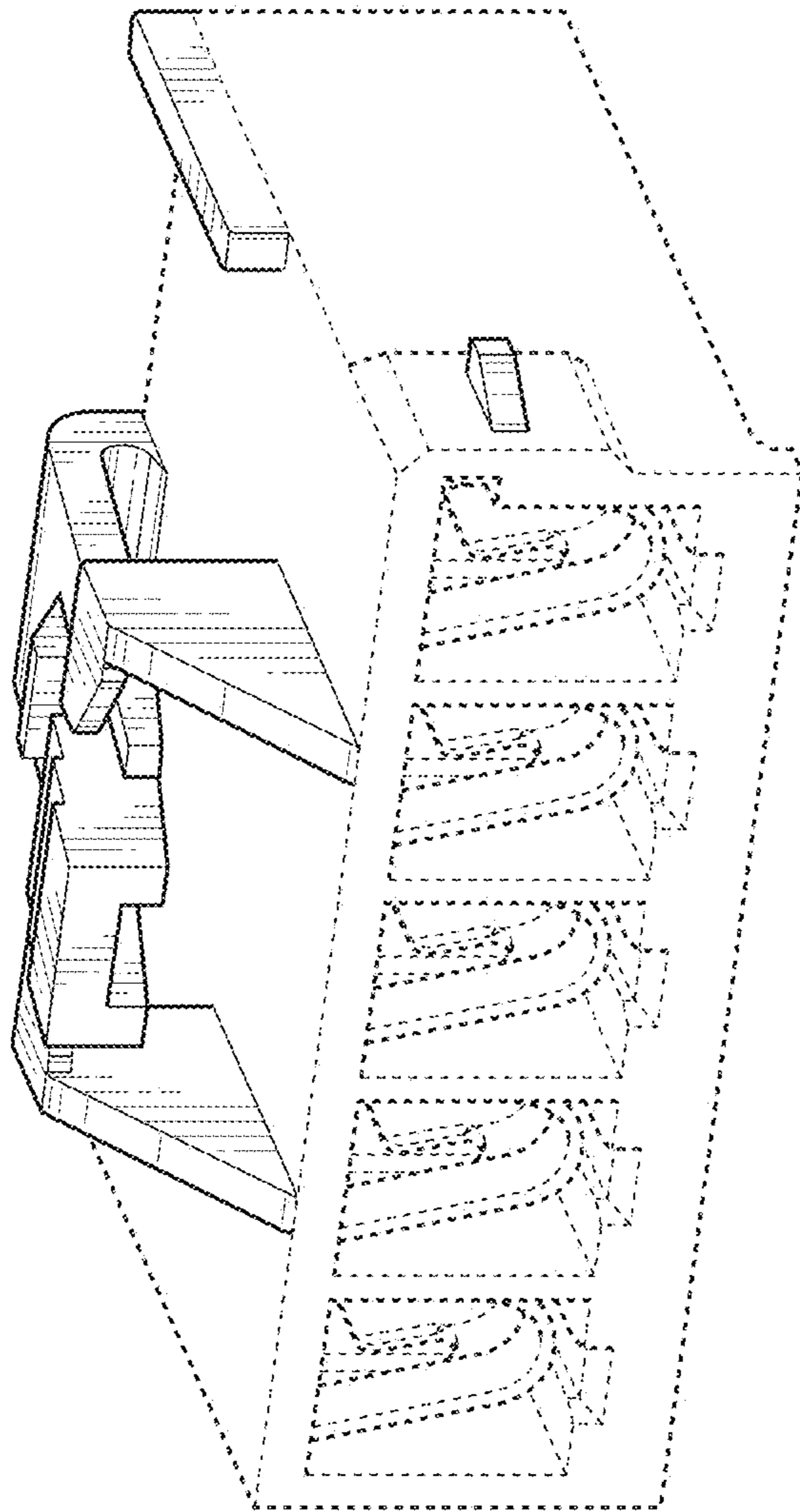


FIG. 65

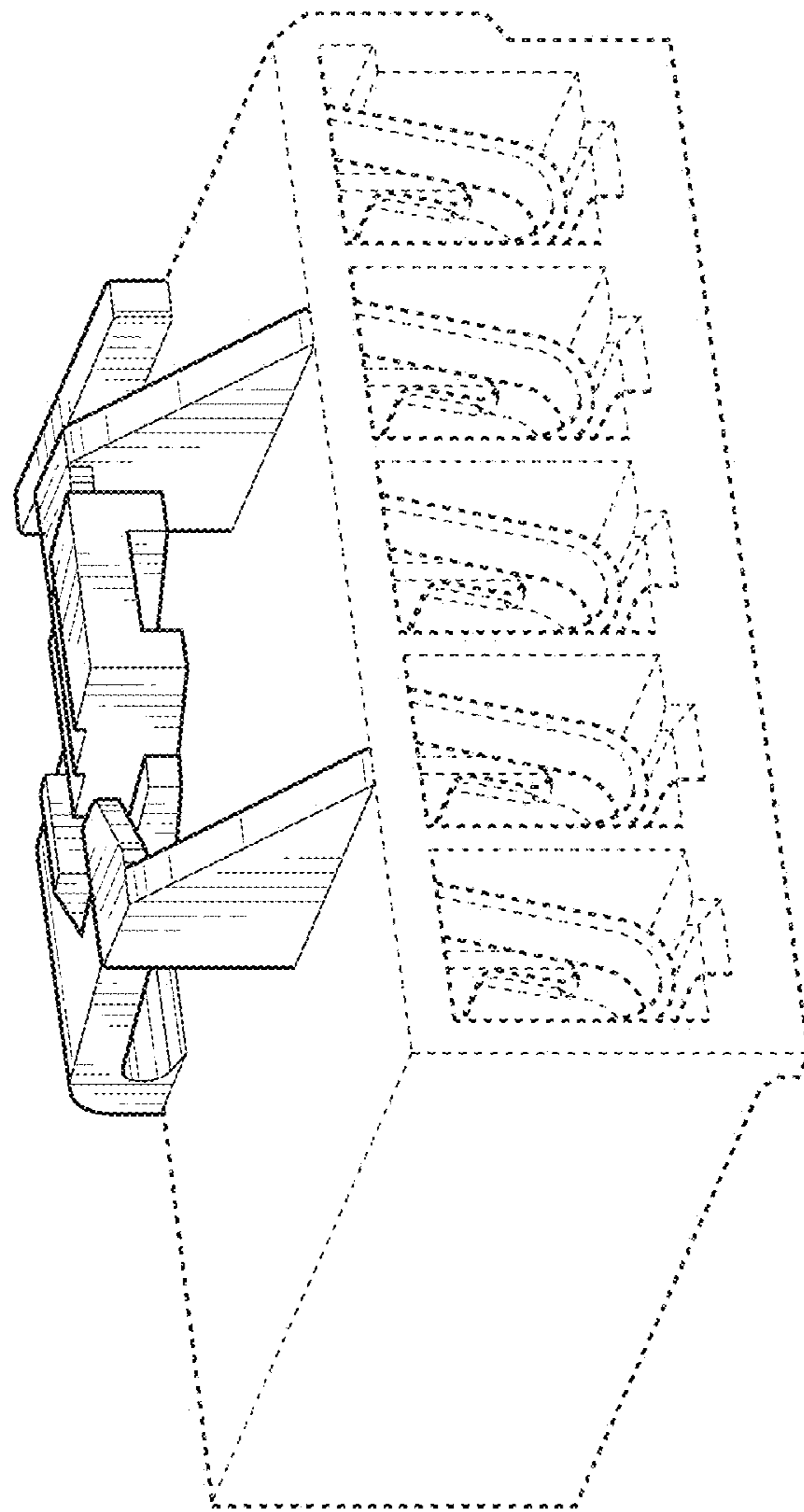


FIG. 66

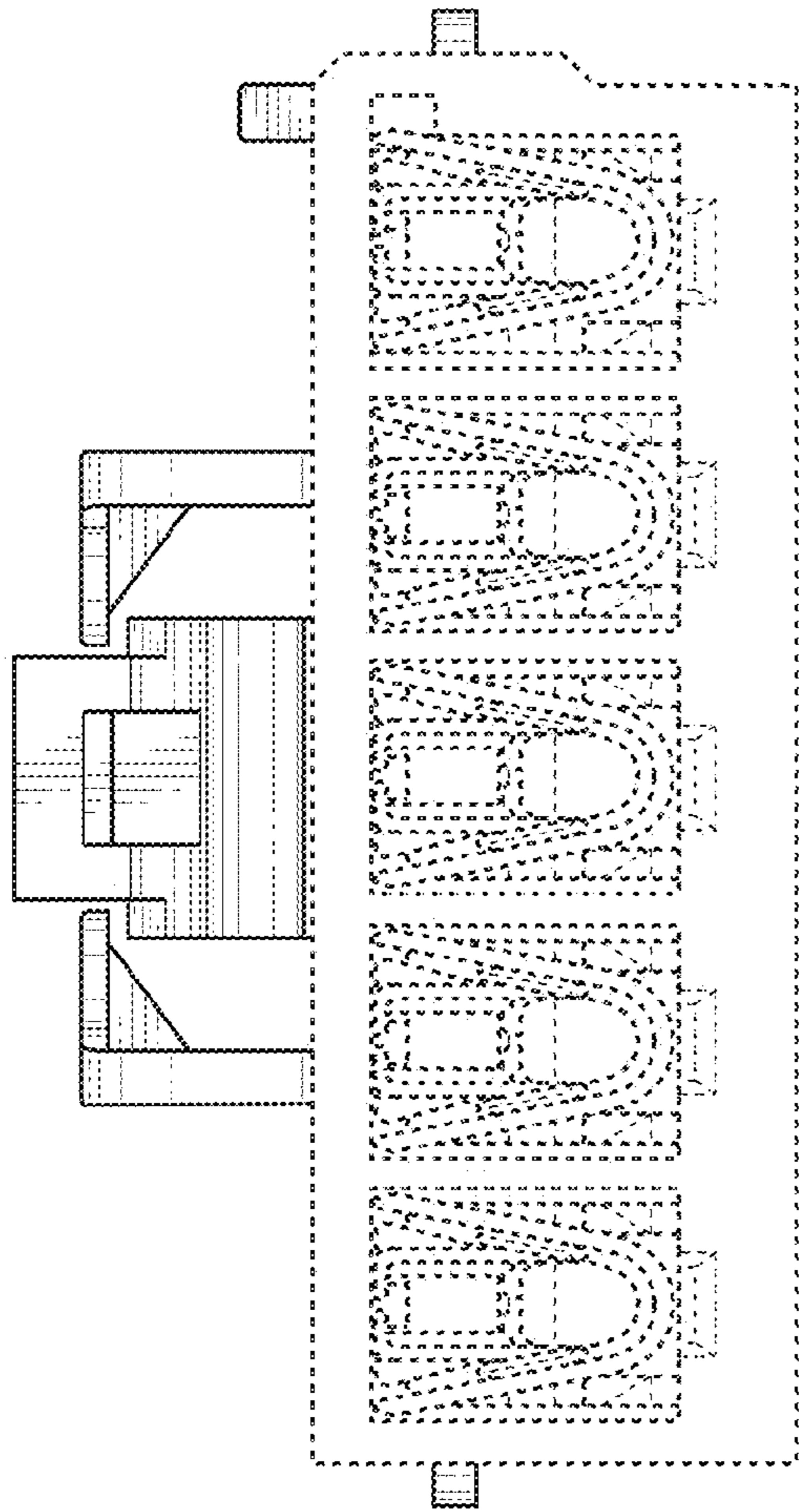


FIG. 67

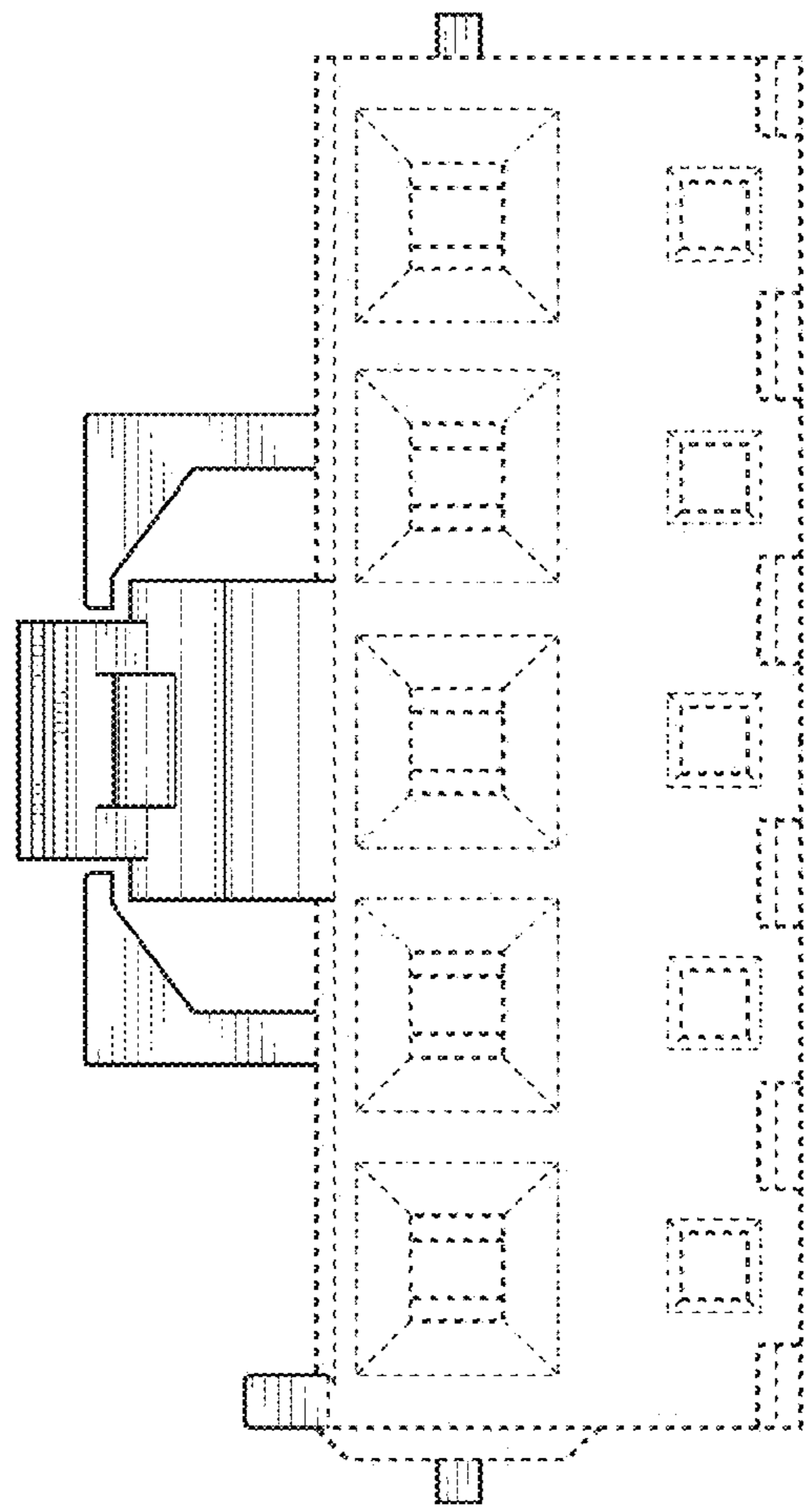


FIG. 68

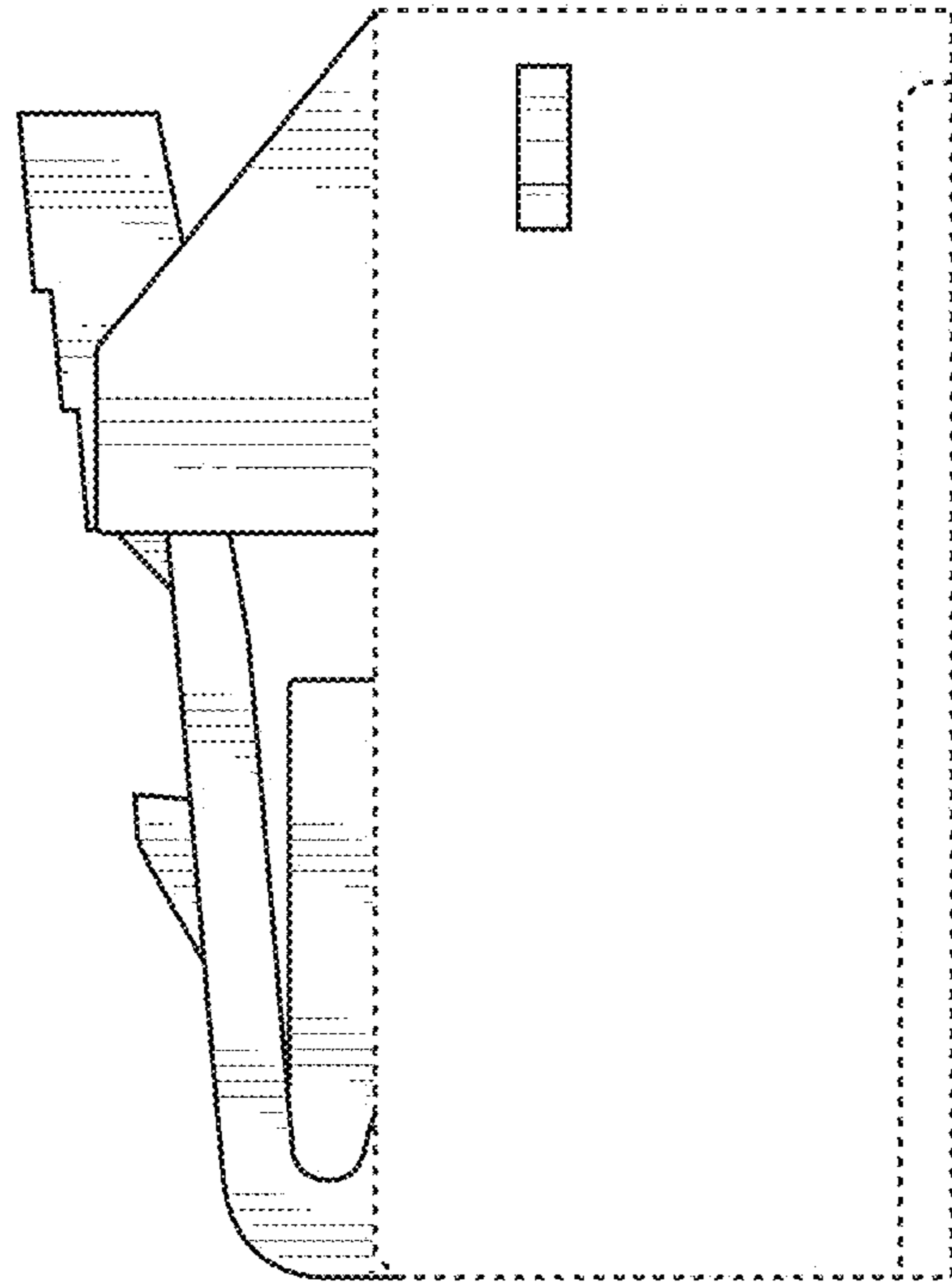


FIG. 70

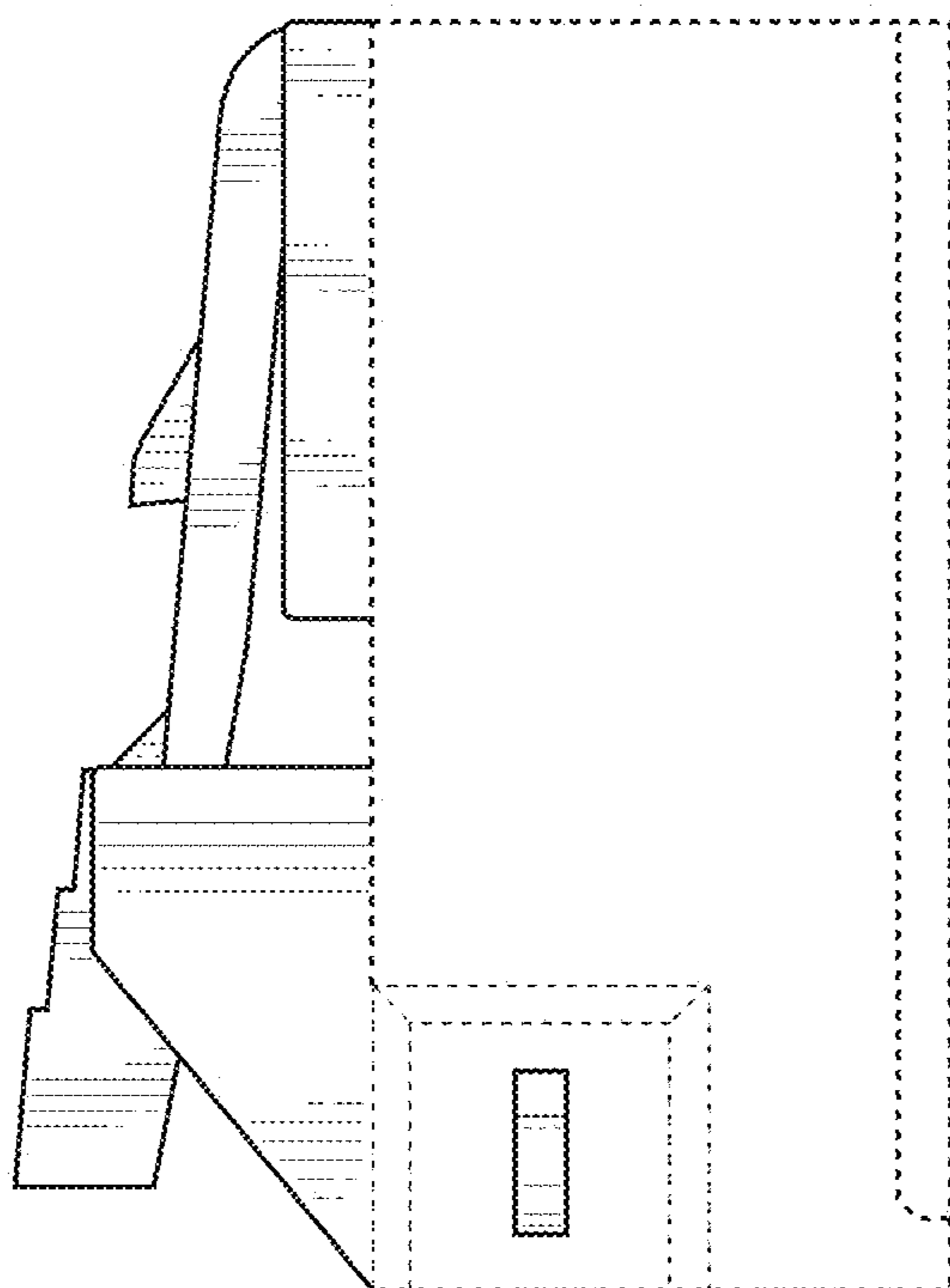


FIG. 69

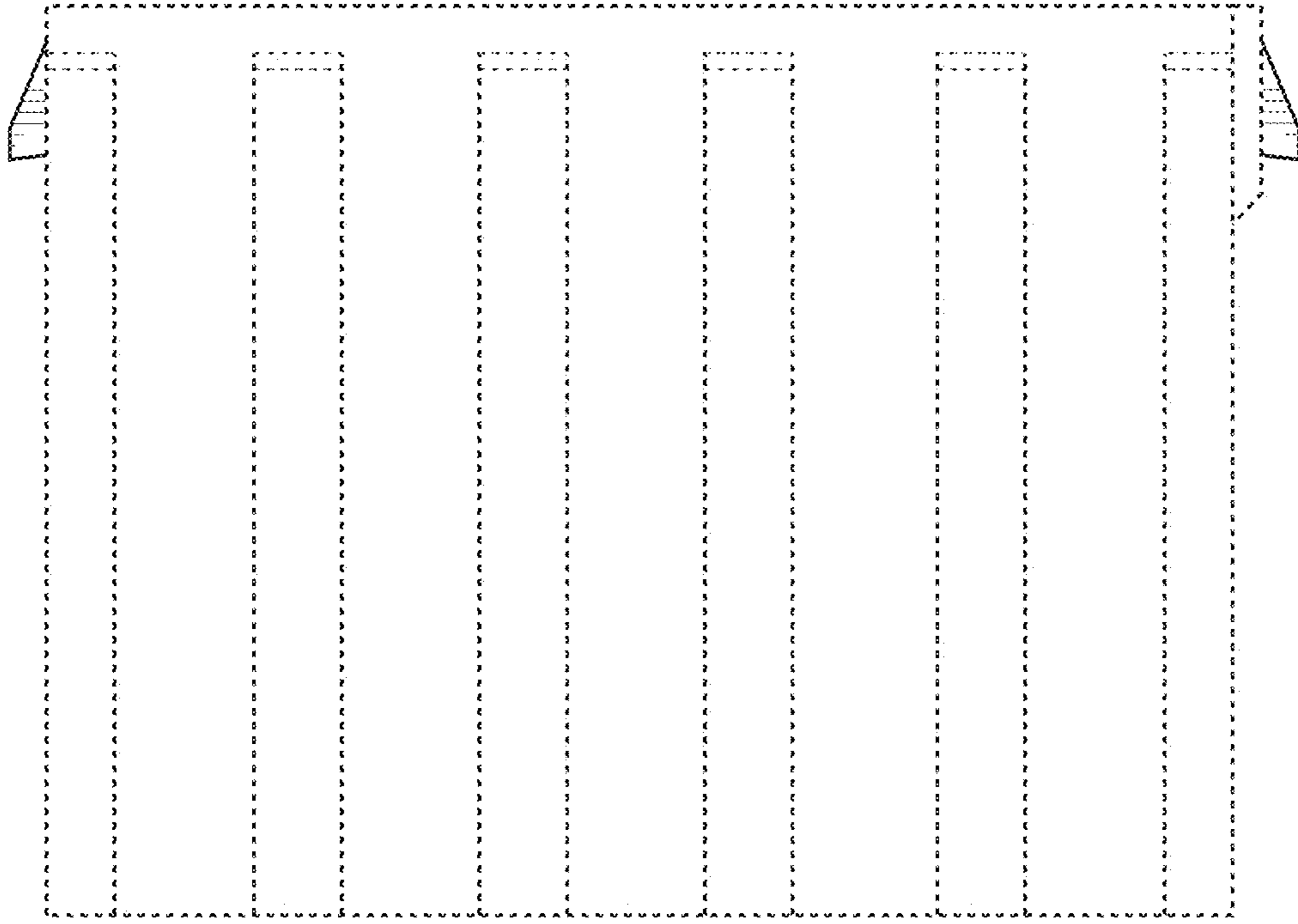


FIG. 72

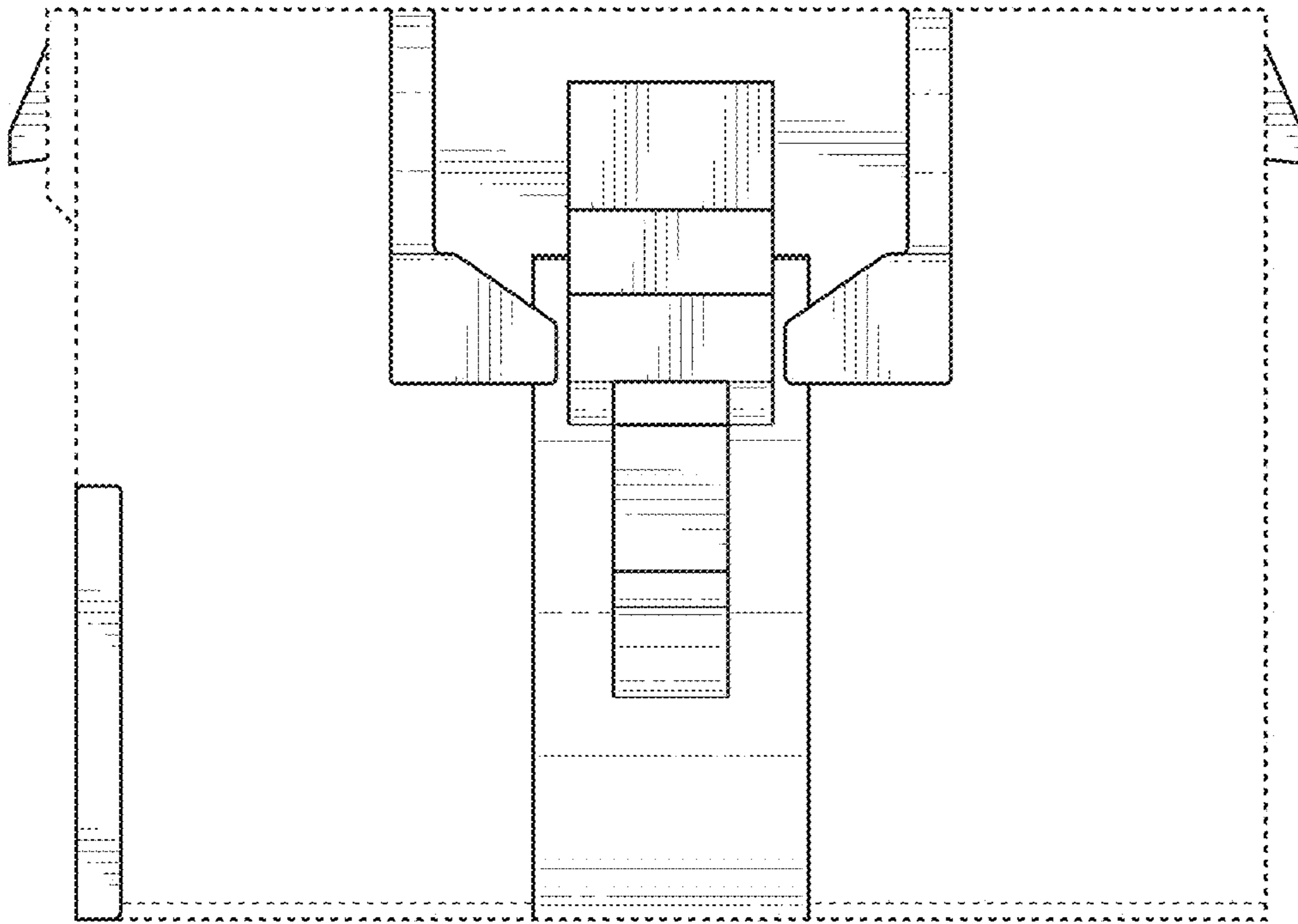


FIG. 71

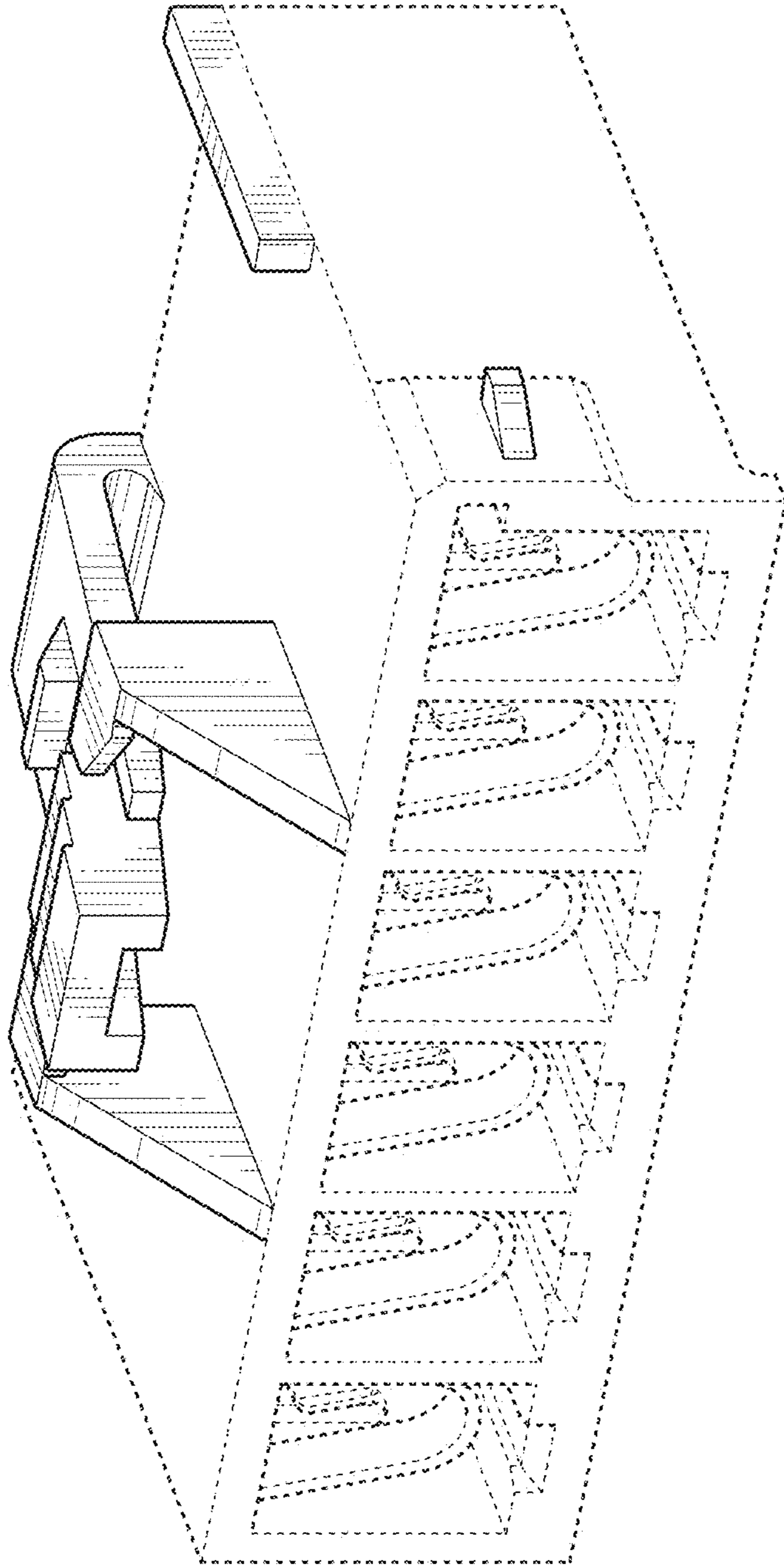


FIG. 73

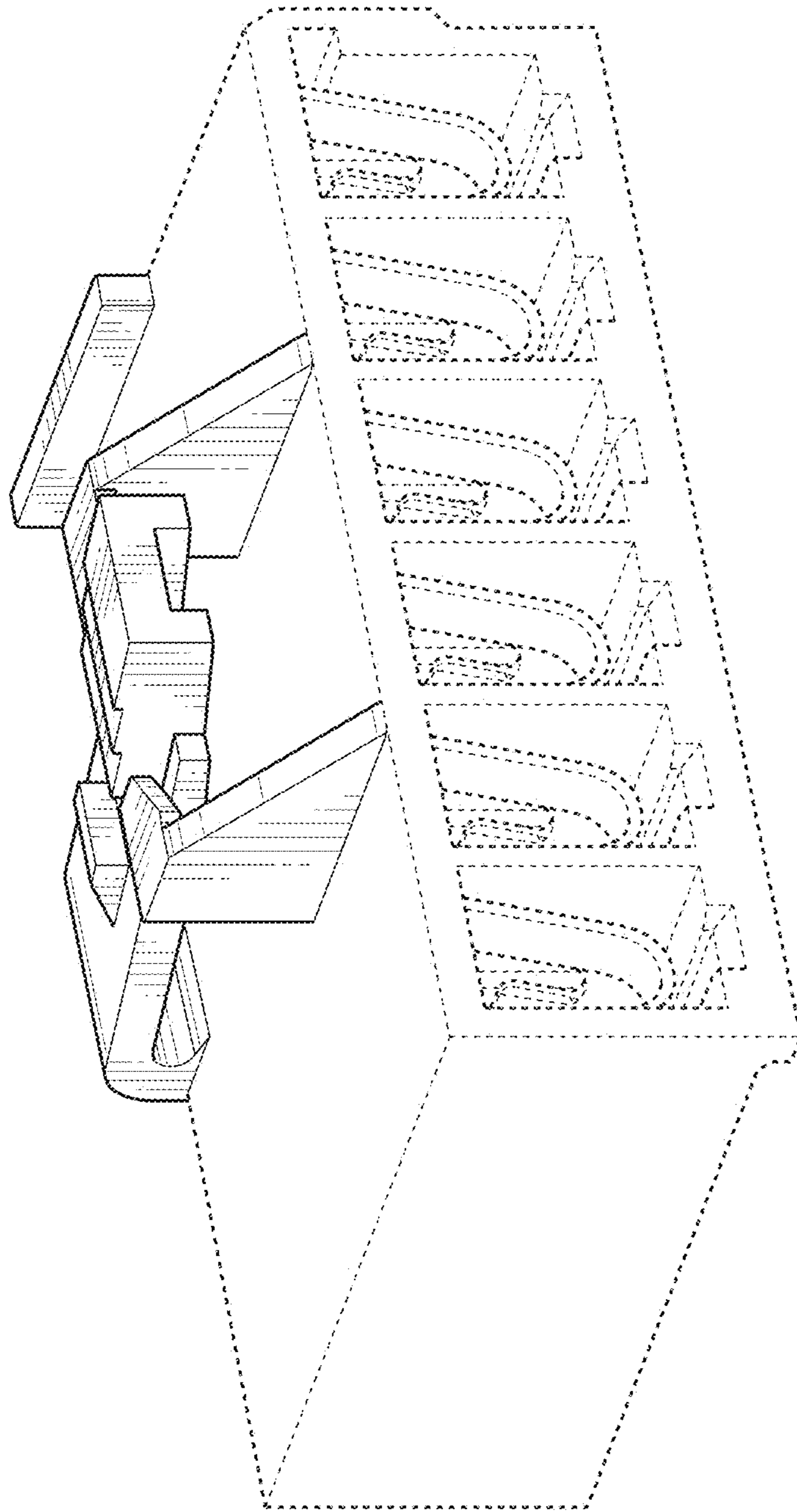


FIG. 74

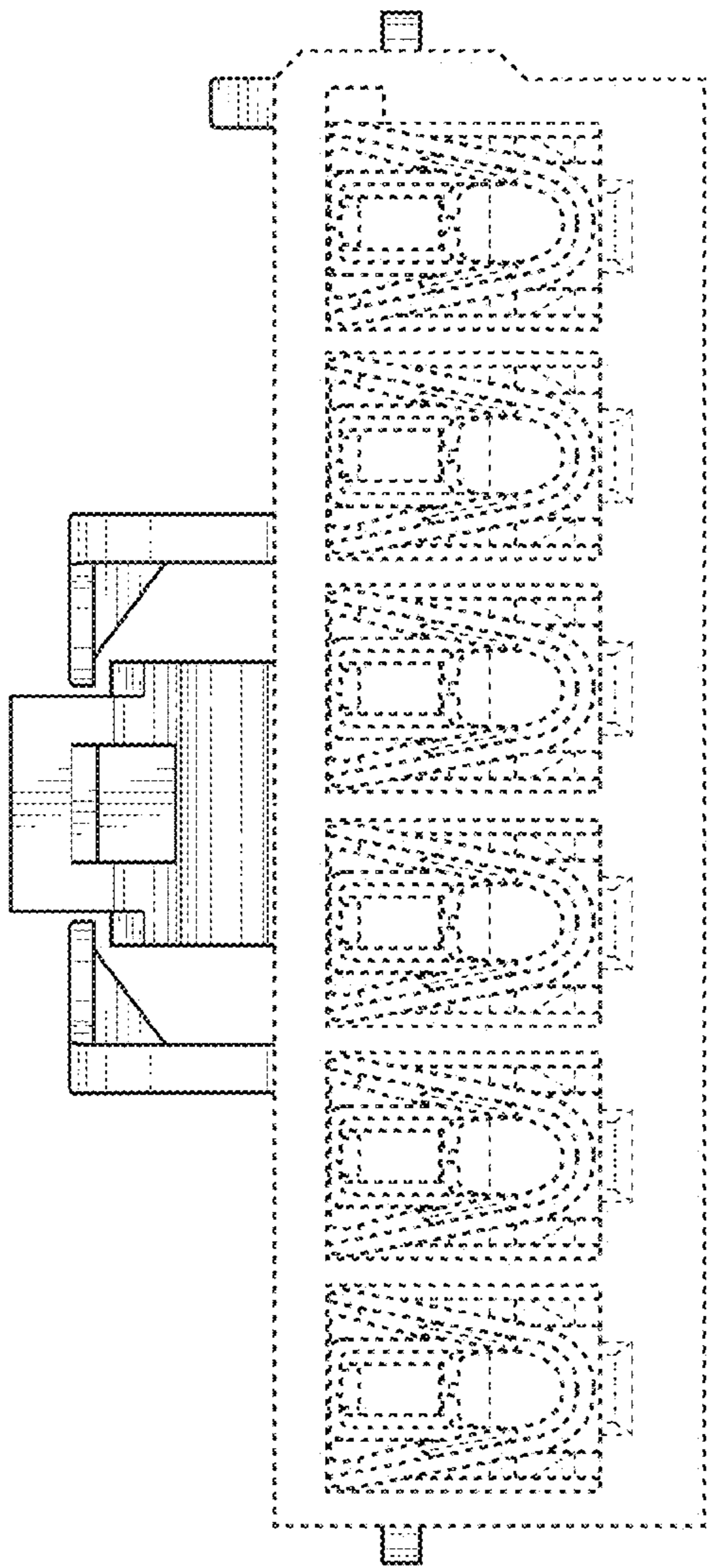


FIG. 75

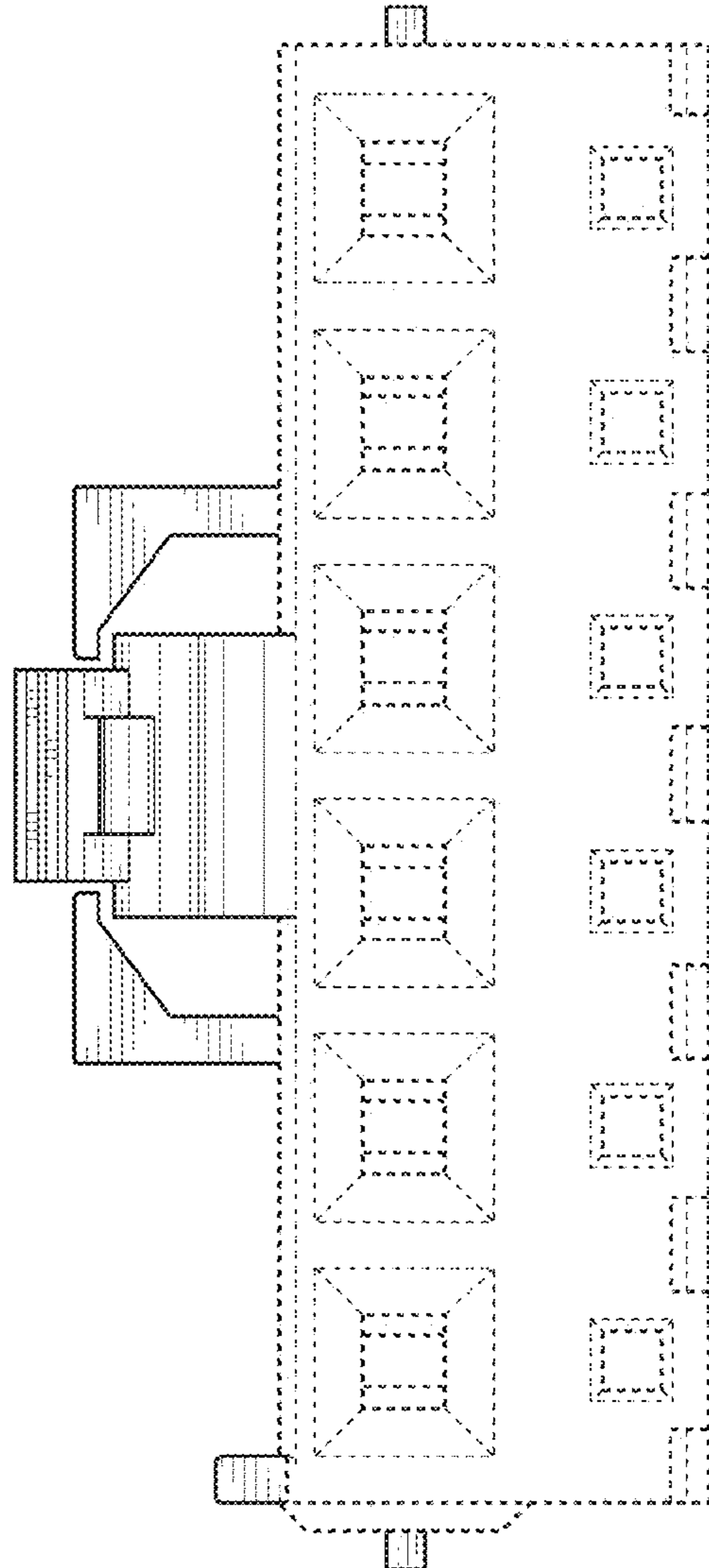


FIG. 76

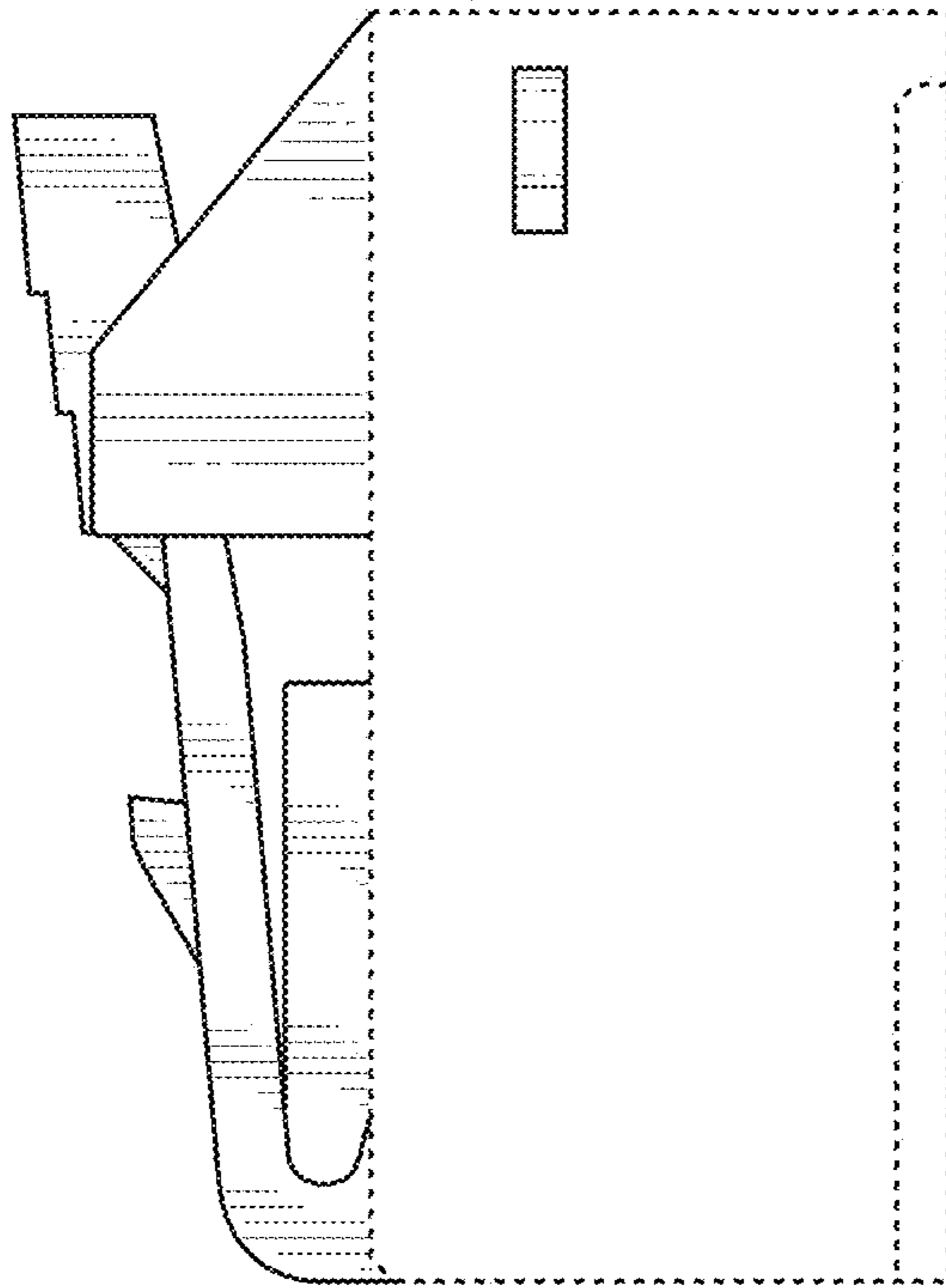


FIG. 78

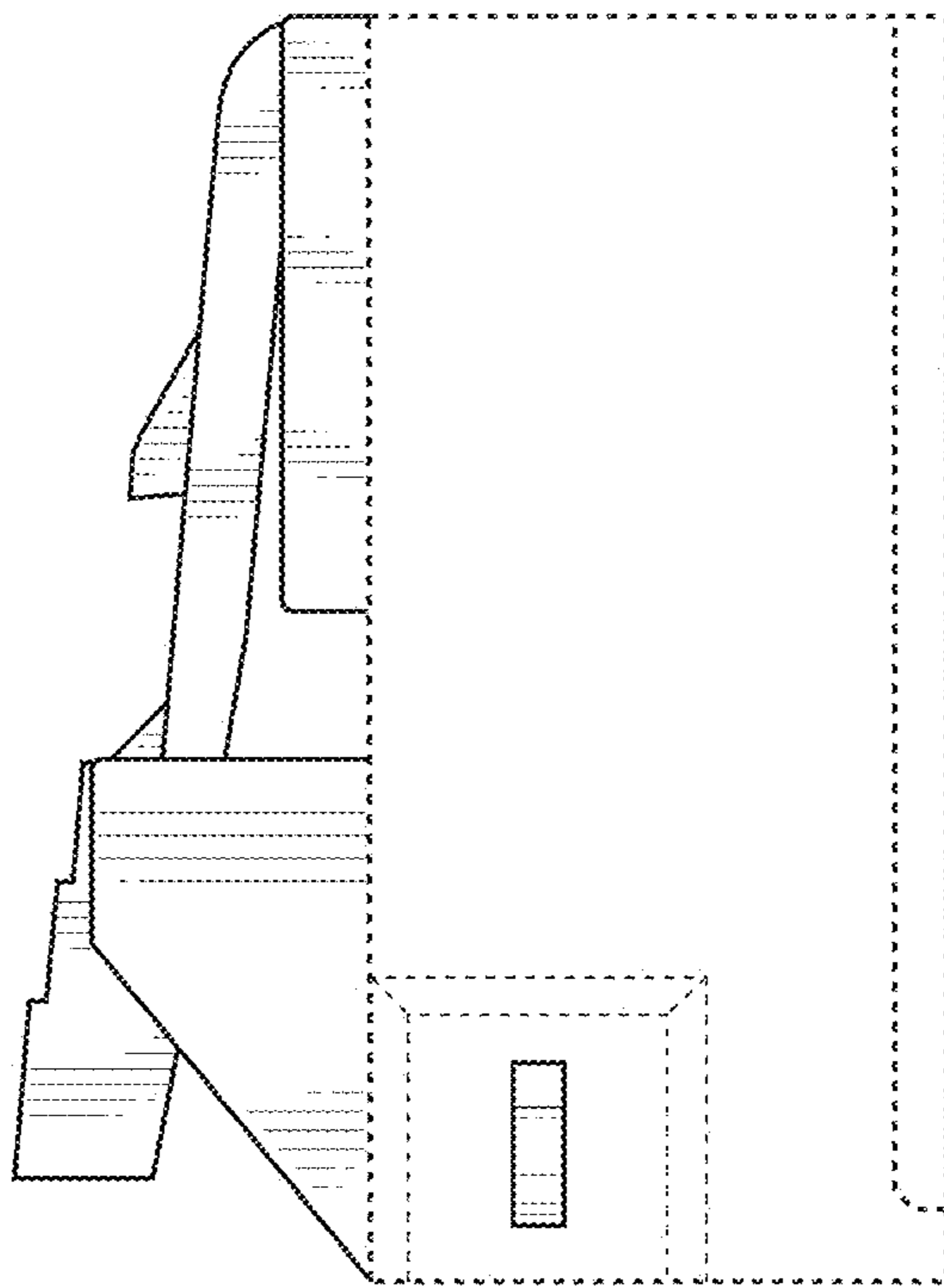


FIG. 77

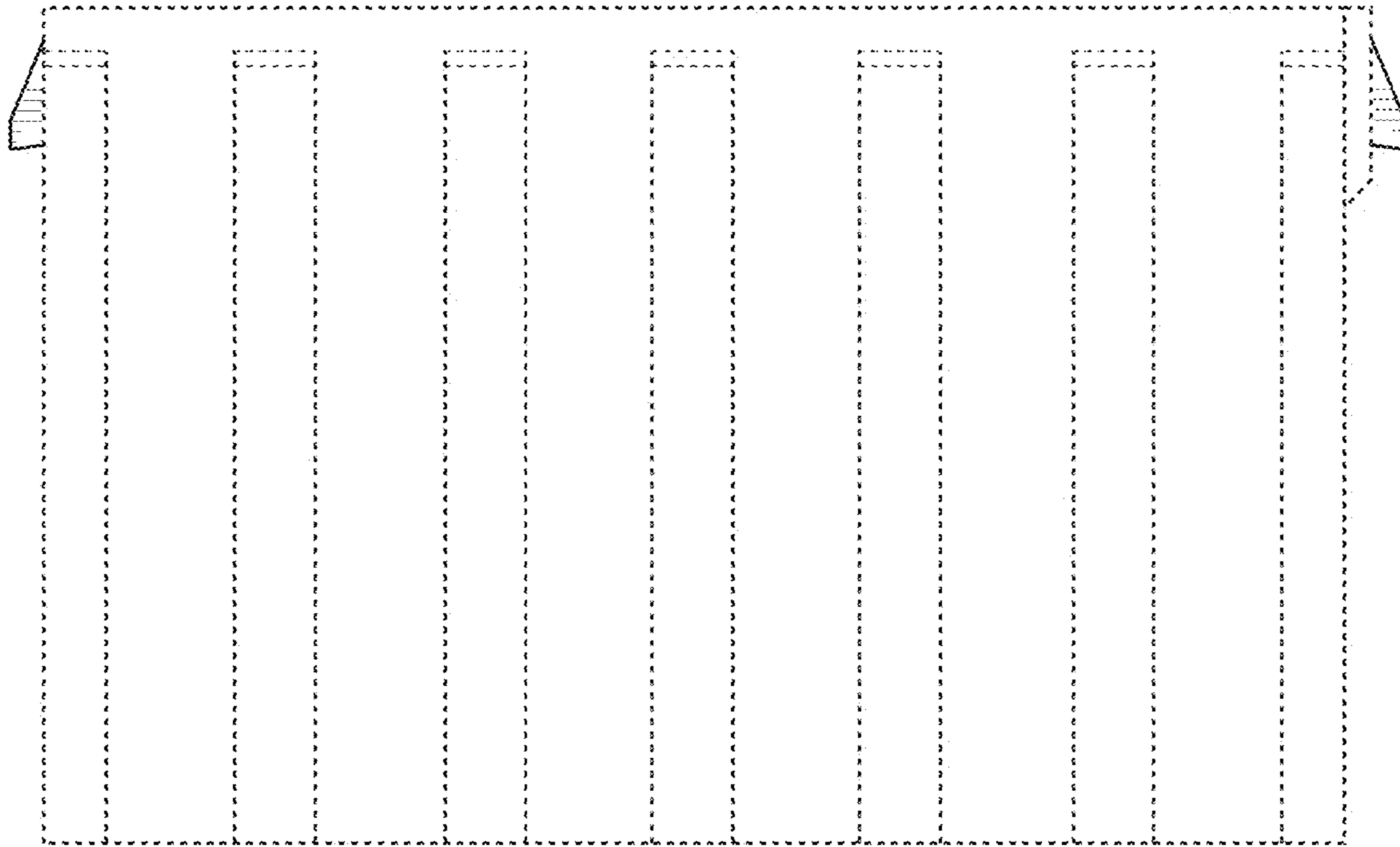


FIG. 80

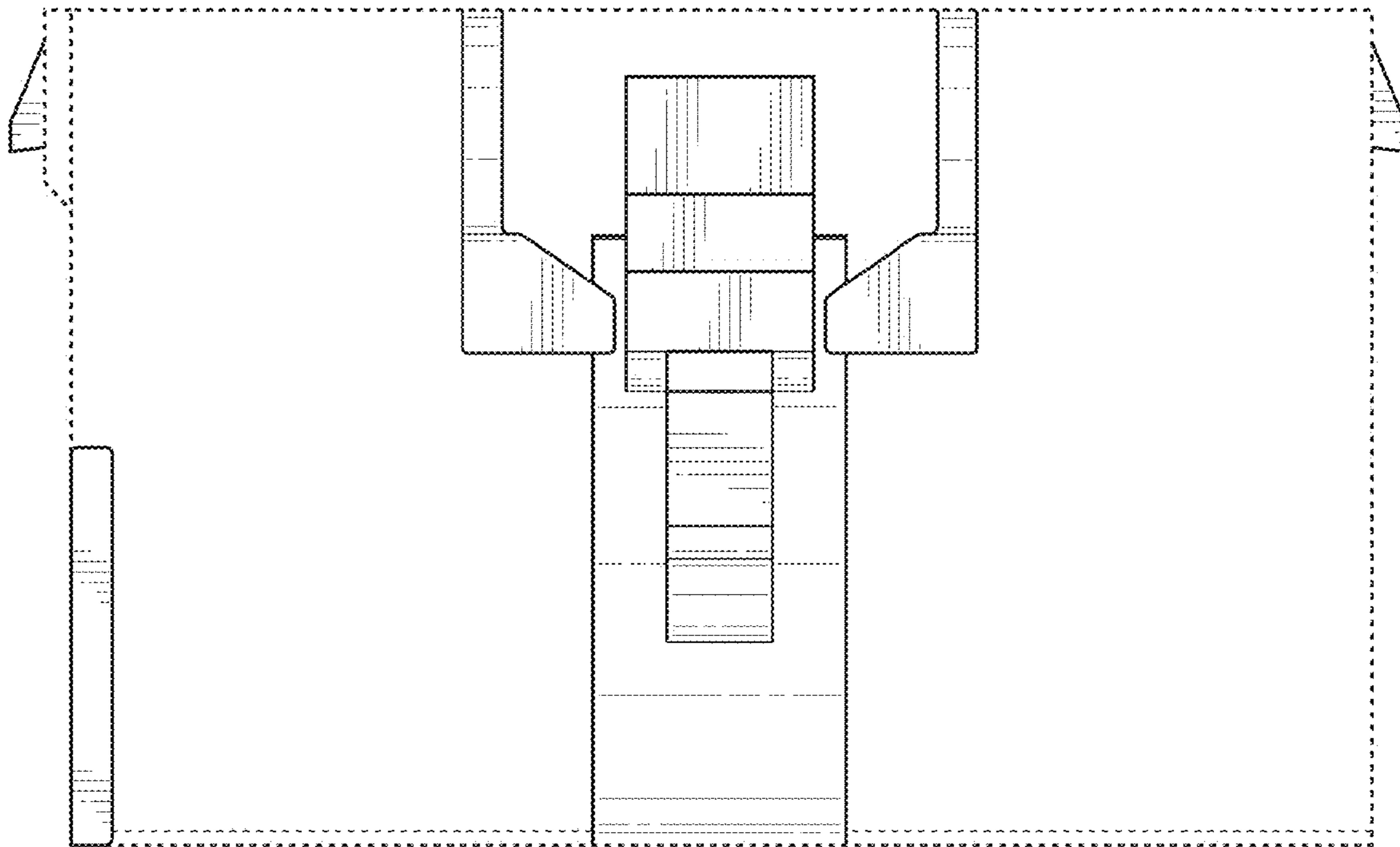


FIG. 79