



US00D906971S

(12) **United States Design Patent**  
**Thyagaraj et al.**

(10) **Patent No.:** **US D906,971 S**  
(45) **Date of Patent:** **\*\* Jan. 5, 2021**

(54) **CONNECTOR**

(71) Applicant: **Molex, LLC**, Lisle, IL (US)

(72) Inventors: **Harsha Thyagaraj**, Bangalore (IN);  
**Pierre Perez**, Aurora, IL (US)

(73) Assignee: **Molex, LLC**, Lisle, IL (US)

(\*\*) Term: **15 Years**

(21) Appl. No.: **29/678,966**

(22) Filed: **Jan. 31, 2019**

(51) **LOC (13) Cl.** ..... **13-03**

(52) **U.S. Cl.**  
USPC ..... **D13/133; D13/147**

(58) **Field of Classification Search**  
USPC ..... D13/133, 146, 147, 153, 154, 155, 184,  
D13/199  
CPC .... H01R 13/02; H01R 13/436; H01R 13/502;  
H01R 13/504; H01R 13/506; H01R  
13/58; H01R 13/627; H01R 13/6315;  
H01R 13/6586

See application file for complete search history.

(56) **References Cited**

**U.S. PATENT DOCUMENTS**

D425,869 S \* 5/2000 Yokomizo ..... D13/147  
D585,380 S \* 1/2009 So ..... D13/133  
D594,824 S \* 6/2009 Mase ..... D13/147

(Continued)

**FOREIGN PATENT DOCUMENTS**

CN 304138688 5/2017  
JP D1557857 9/2016

(Continued)

*Primary Examiner* — Karen E Kearney  
*Assistant Examiner* — Michael Chong

(74) *Attorney, Agent, or Firm* — Banner & Witcoff, Ltd.

(57) **CLAIM**

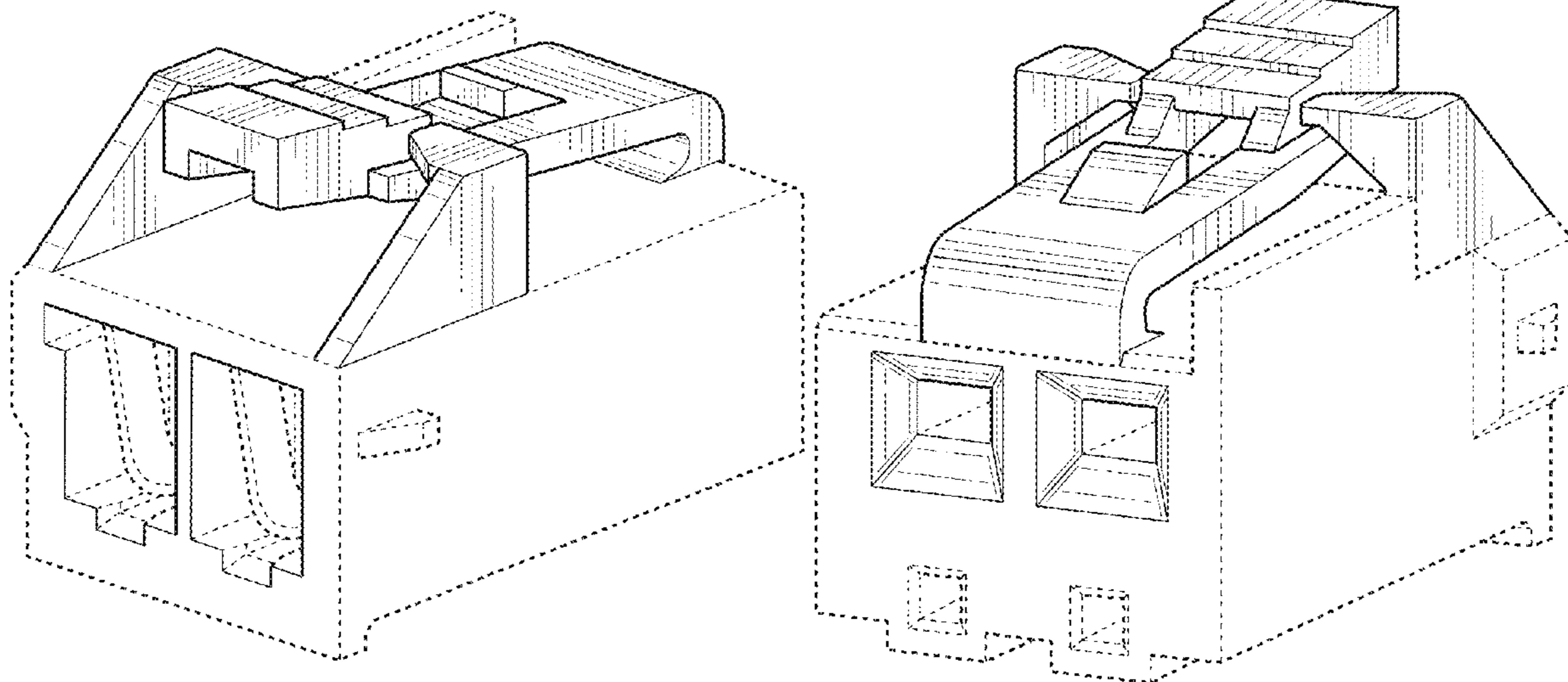
The ornamental design for a connector, as shown and described.

**DESCRIPTION**

FIG. 1 is a front right perspective view of a connector showing our new design;  
FIG. 2 is a front left perspective view thereof;  
FIG. 3 is a rear perspective view thereof;  
FIG. 4 is a front view thereof;  
FIG. 5 is a rear view thereof;  
FIG. 6 is a right side view thereof;  
FIG. 7 is a left side view thereof;  
FIG. 8 is a top view thereof;  
FIG. 9 is a bottom view thereof;  
FIG. 10 is a front right perspective view of an alternate embodiment of the connector showing our new design;  
FIG. 11 is a front left perspective view thereof;  
FIG. 12 is a rear perspective view thereof;  
FIG. 13 is a front view thereof;  
FIG. 14 is a rear view thereof;  
FIG. 15 is a right side view thereof;  
FIG. 16 is a left side view thereof;  
FIG. 17 is a top view thereof;  
FIG. 18 is a bottom view thereof;  
FIG. 19 is a front right perspective view of an alternate embodiment of the connector showing our new design;  
FIG. 20 is a front left perspective view thereof;  
FIG. 21 is a rear perspective view thereof;  
FIG. 22 is a front view thereof;  
FIG. 23 is a rear view thereof;  
FIG. 24 is a right side view thereof;  
FIG. 25 is a left side view thereof;  
FIG. 26 is a top view thereof; and,  
FIG. 27 is a bottom view thereof.

The broken lines immediately adjacent to the shaded areas form the bounds of the claimed design. The broken lines depicting the remainder of the connector show features that form no part of the claimed design.

**1 Claim, 27 Drawing Sheets**



(56)

**References Cited**

U.S. PATENT DOCUMENTS

D637,970 S \* 5/2011 Canning ..... D13/154  
D637,971 S \* 5/2011 Canning ..... D13/154  
D650,744 S \* 12/2011 Smith ..... D13/133  
D655,677 S \* 3/2012 Gouhl ..... D13/146  
D748,580 S \* 2/2016 Endo ..... D13/146  
D748,588 S \* 2/2016 Endo ..... D13/147  
D791,082 S 7/2017 Li et al.  
D791,705 S 7/2017 Li et al.  
D875,047 S \* 2/2020 Hu ..... D13/133

FOREIGN PATENT DOCUMENTS

TW D195134 1/2019  
WO D205298-019 \* 3/2020

\* cited by examiner

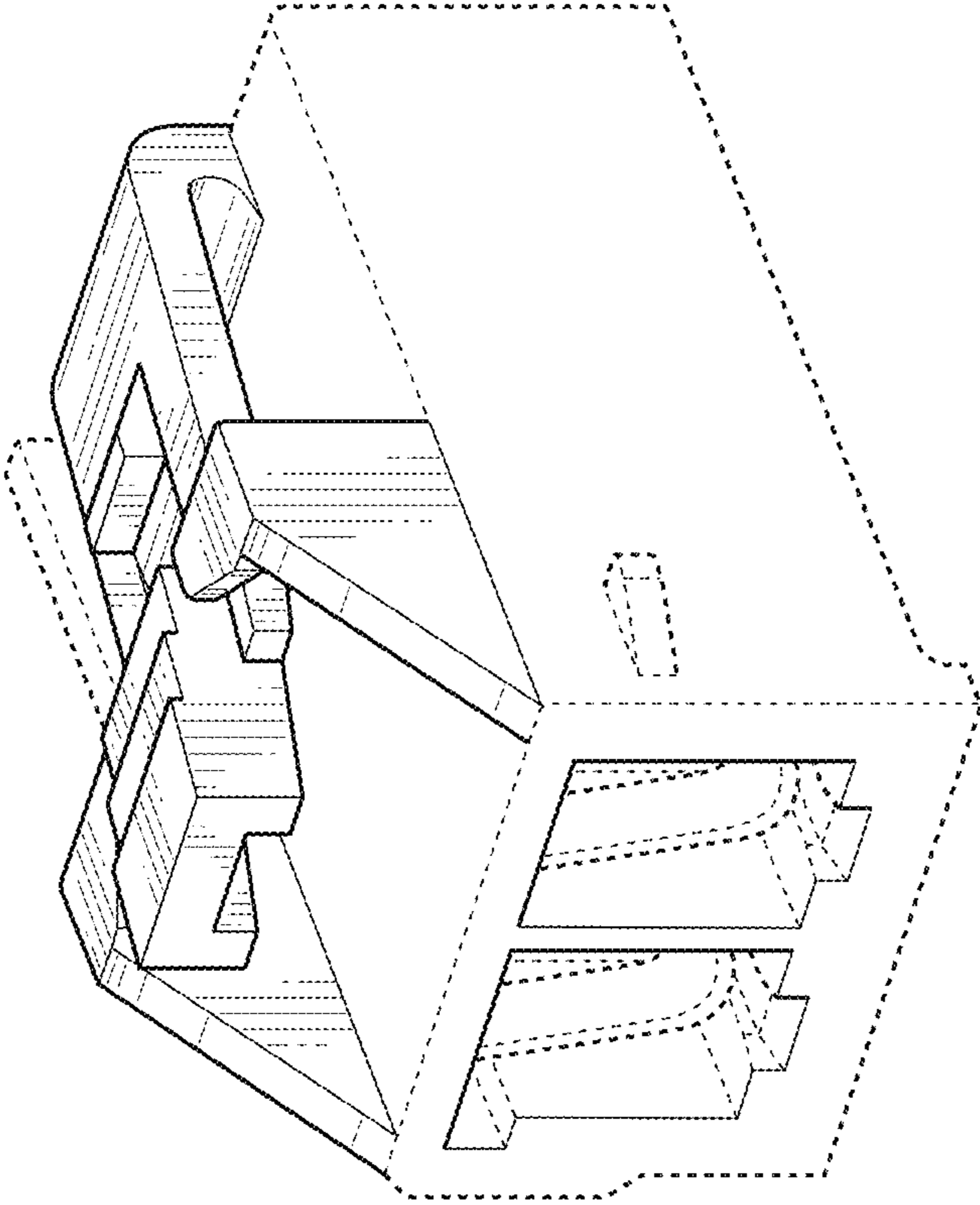


FIG. 1

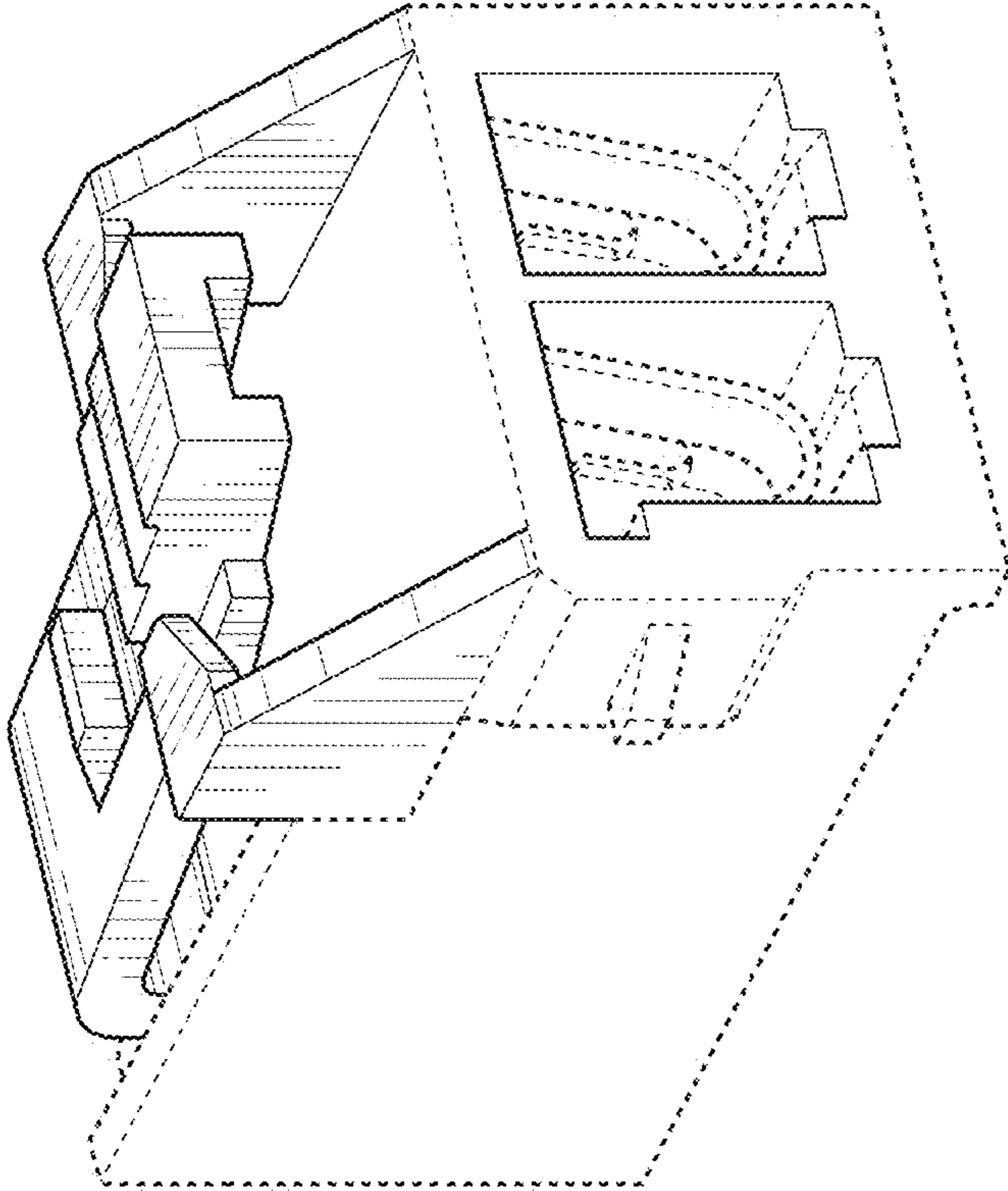


FIG. 2

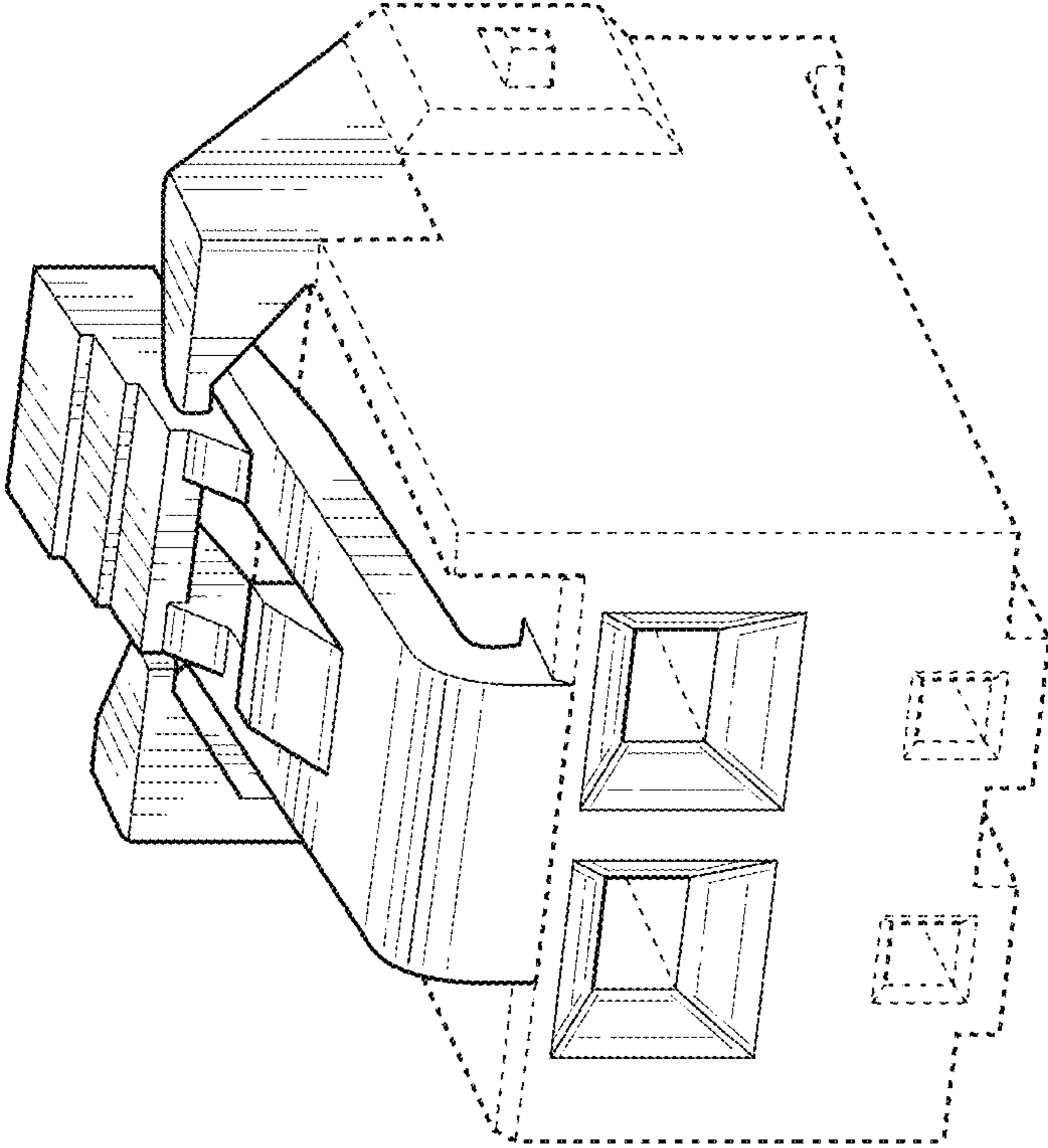


FIG. 3

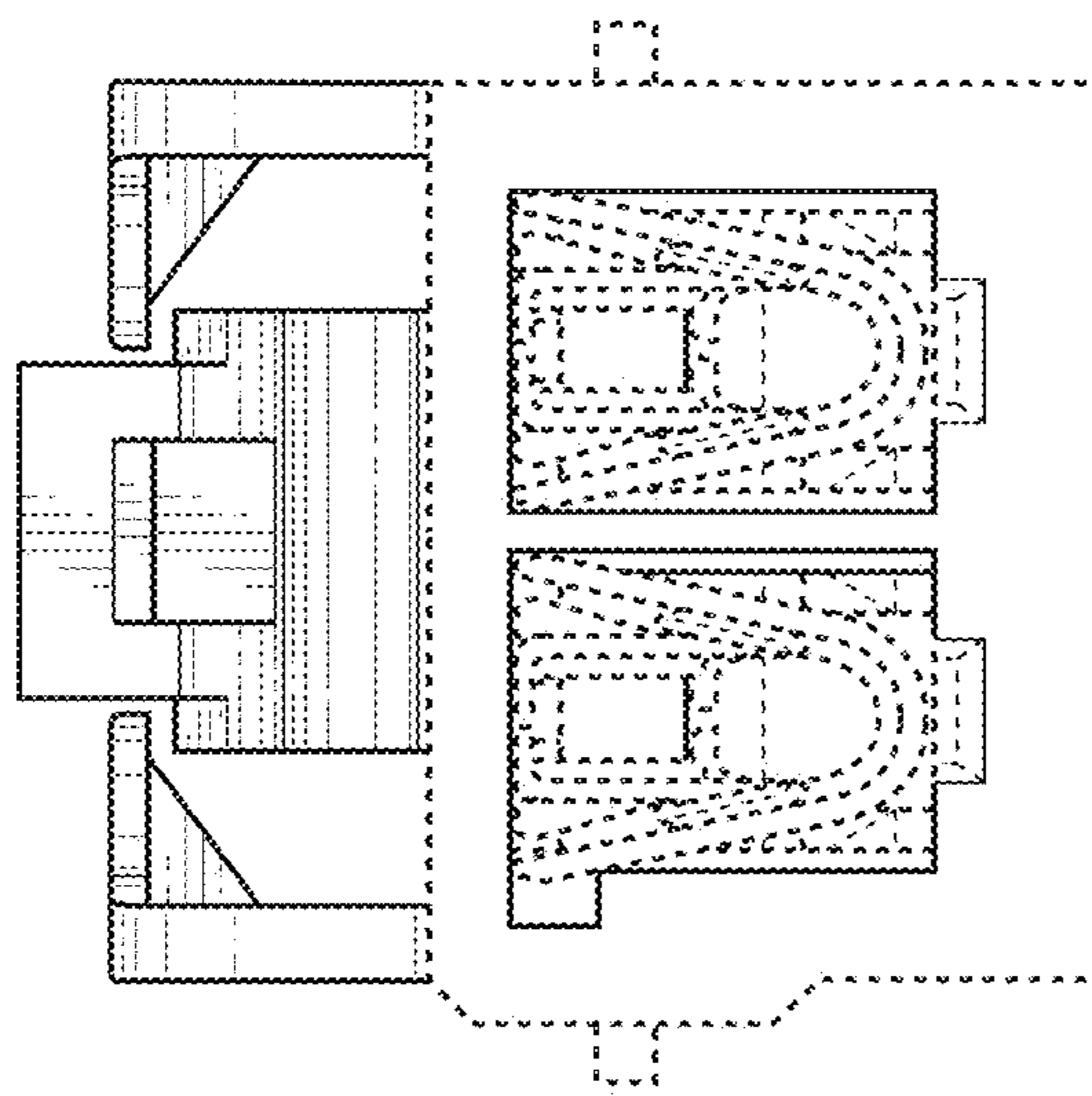


FIG. 4

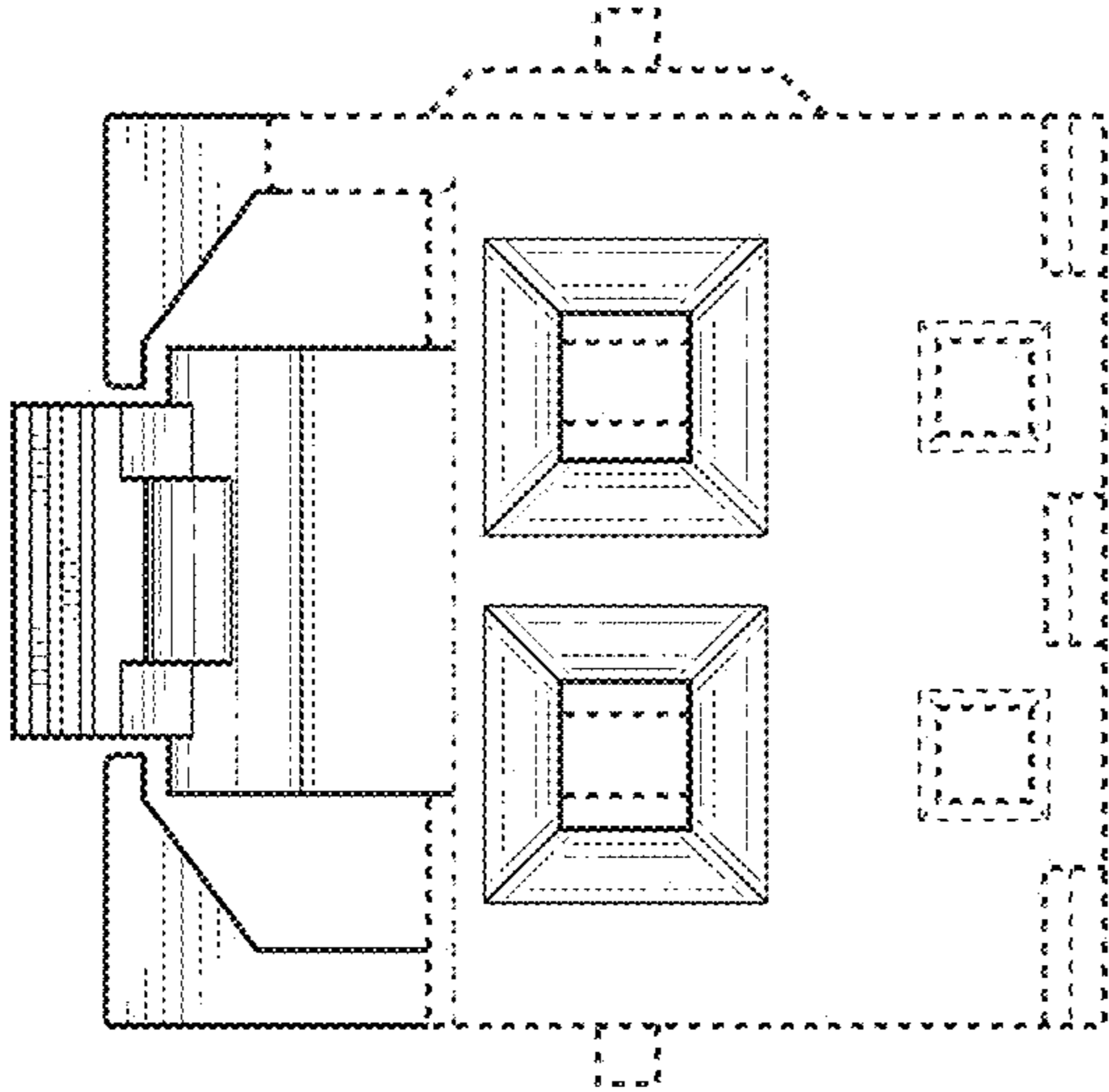


FIG. 5

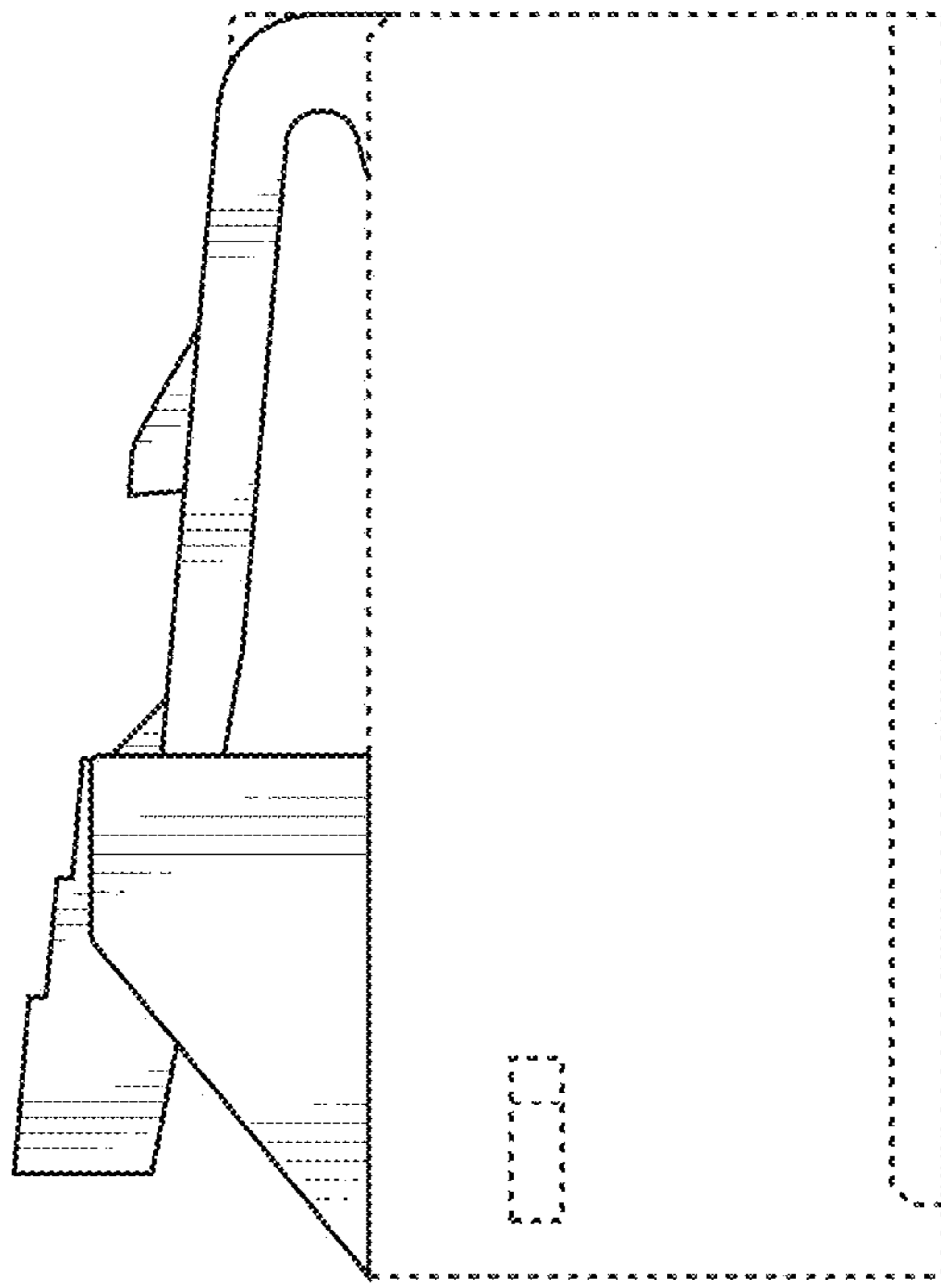


FIG. 6



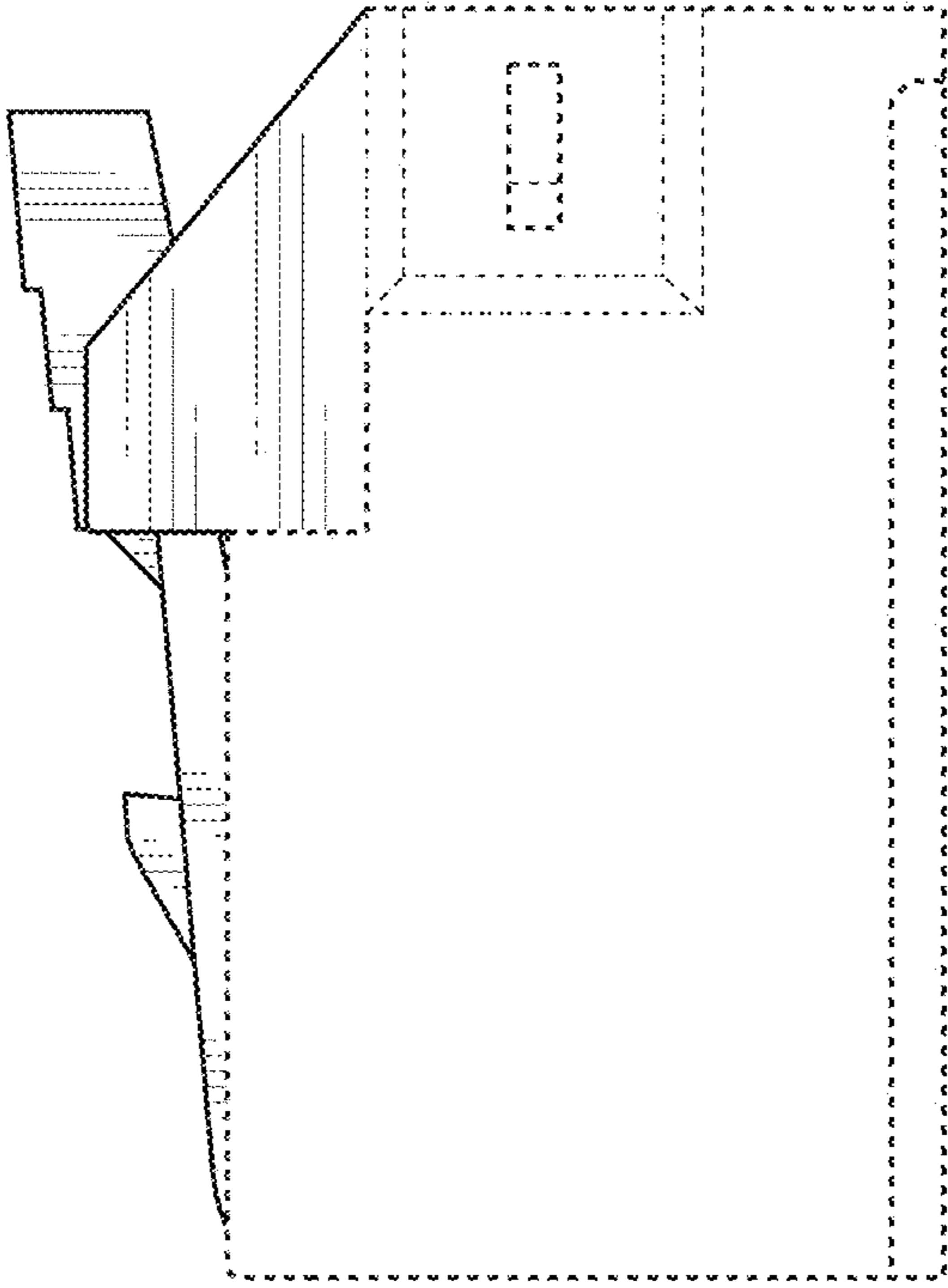


FIG. 7

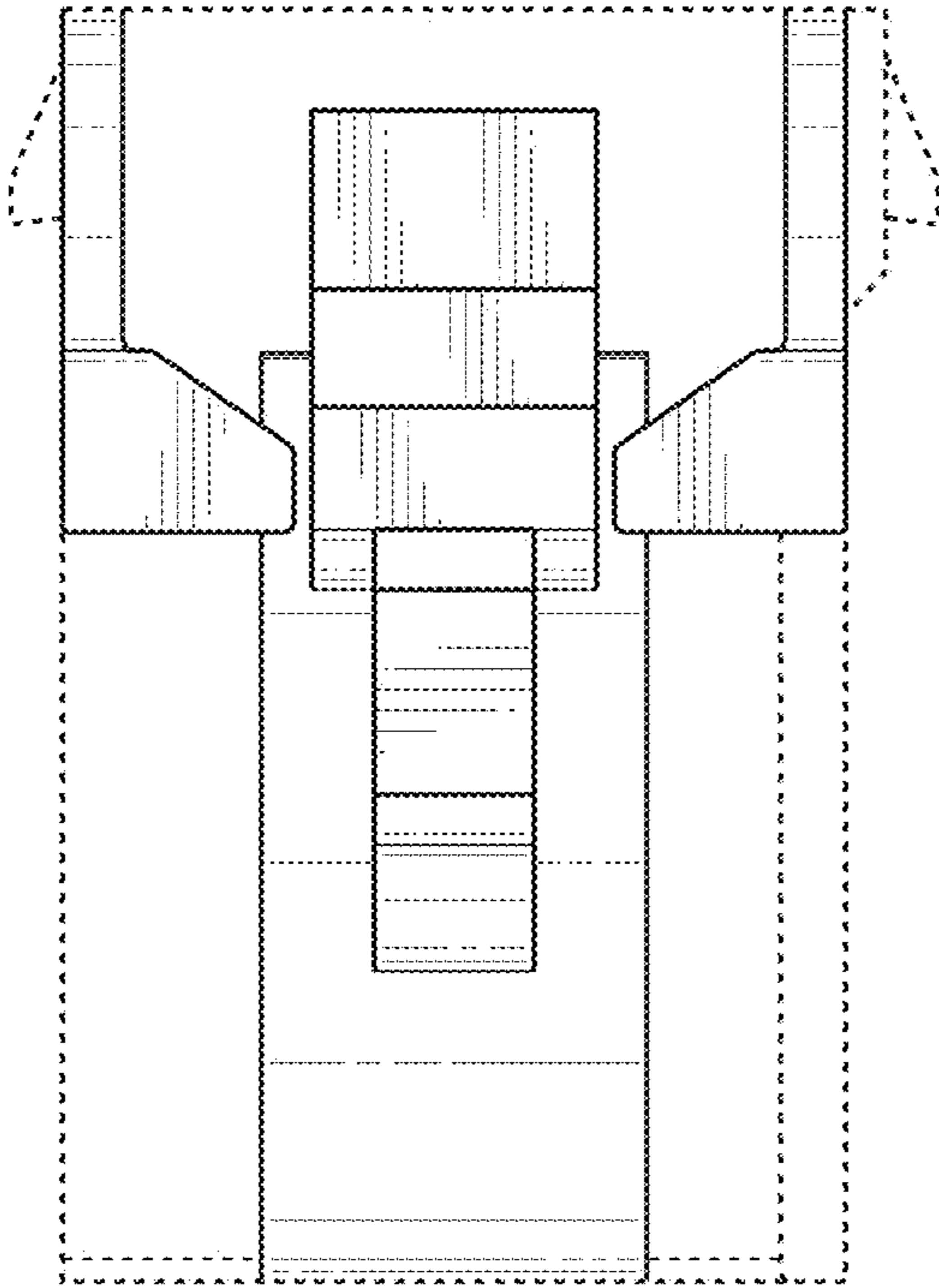


FIG. 8

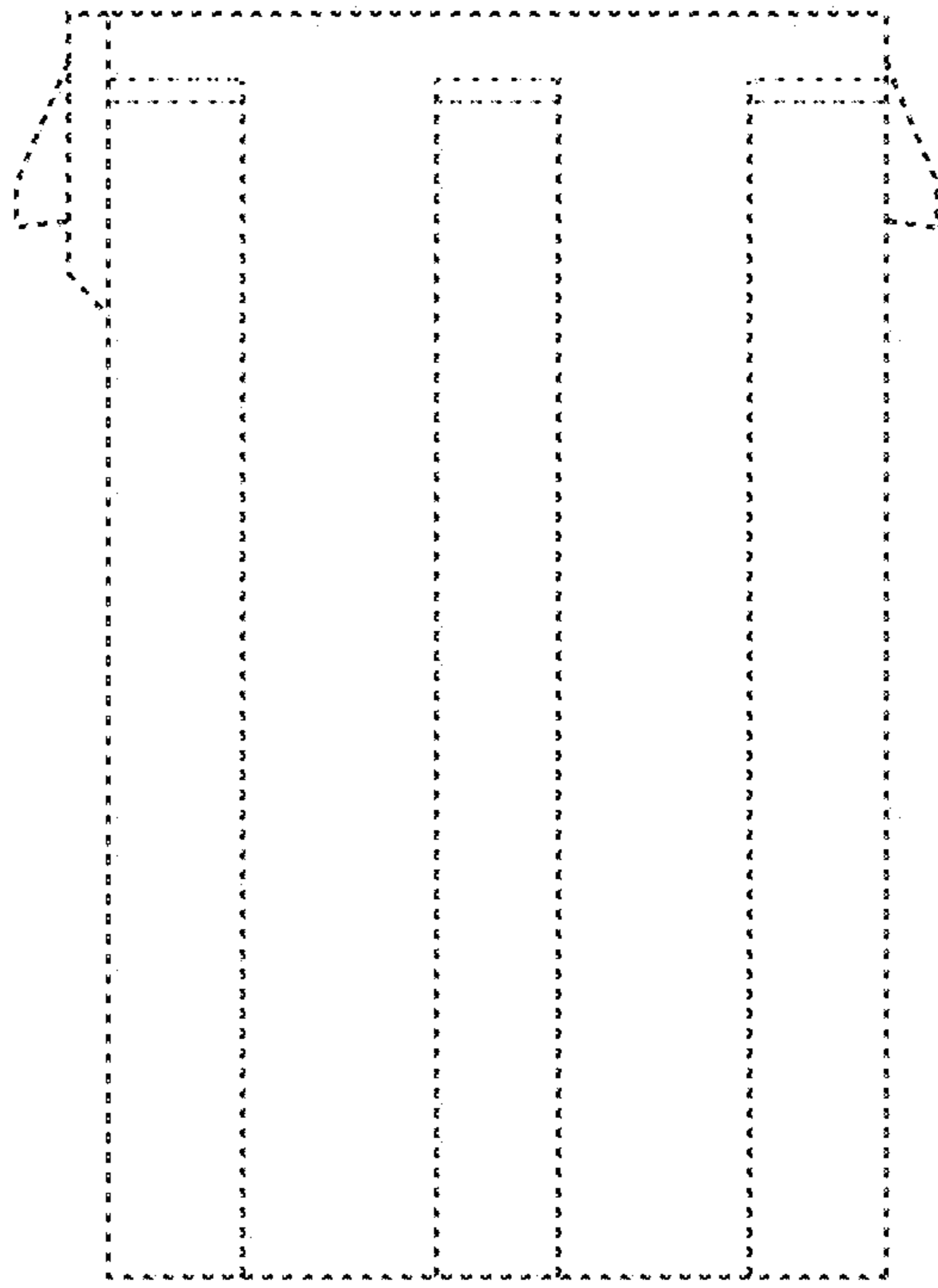


FIG. 9

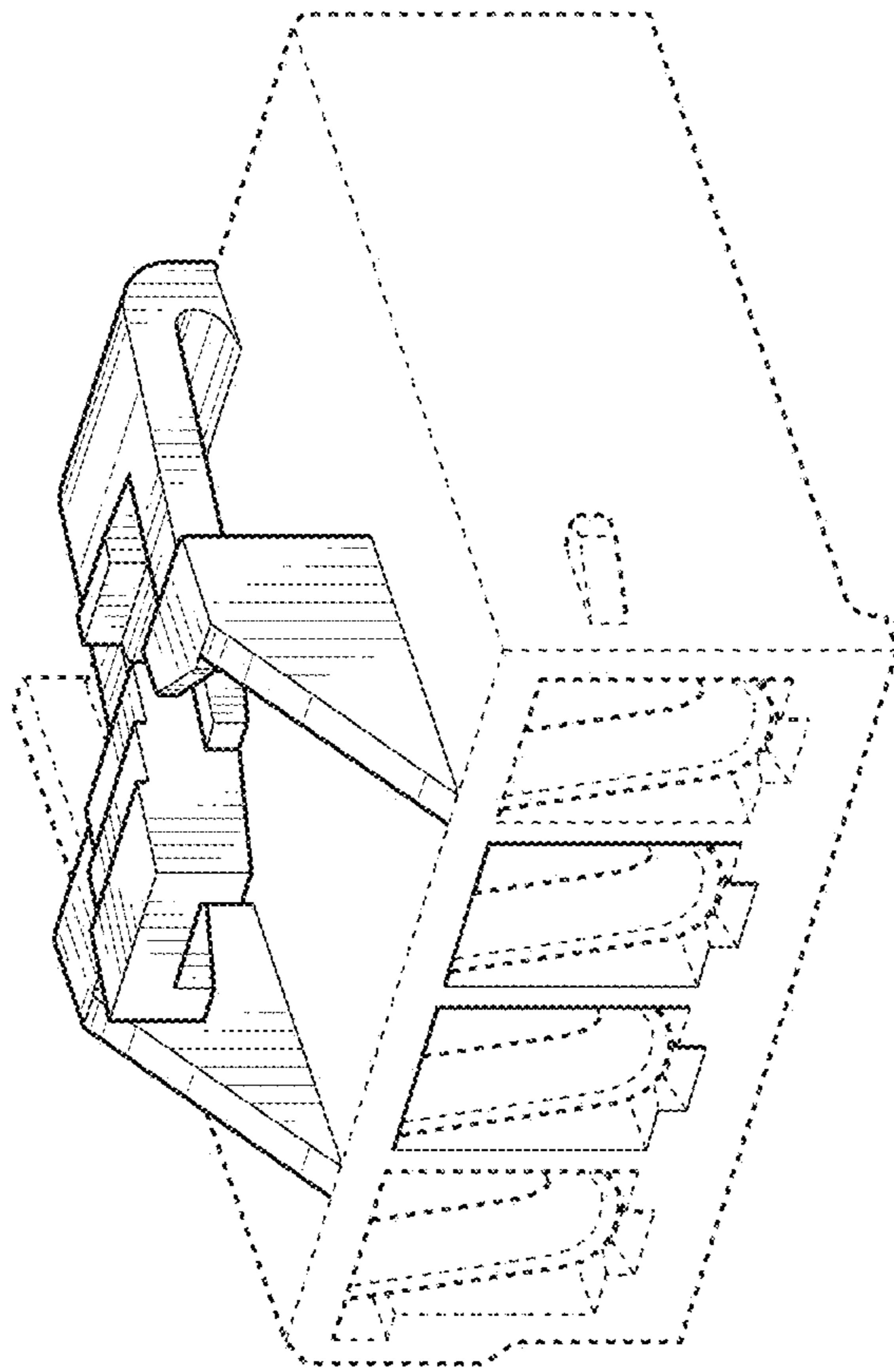


FIG. 10

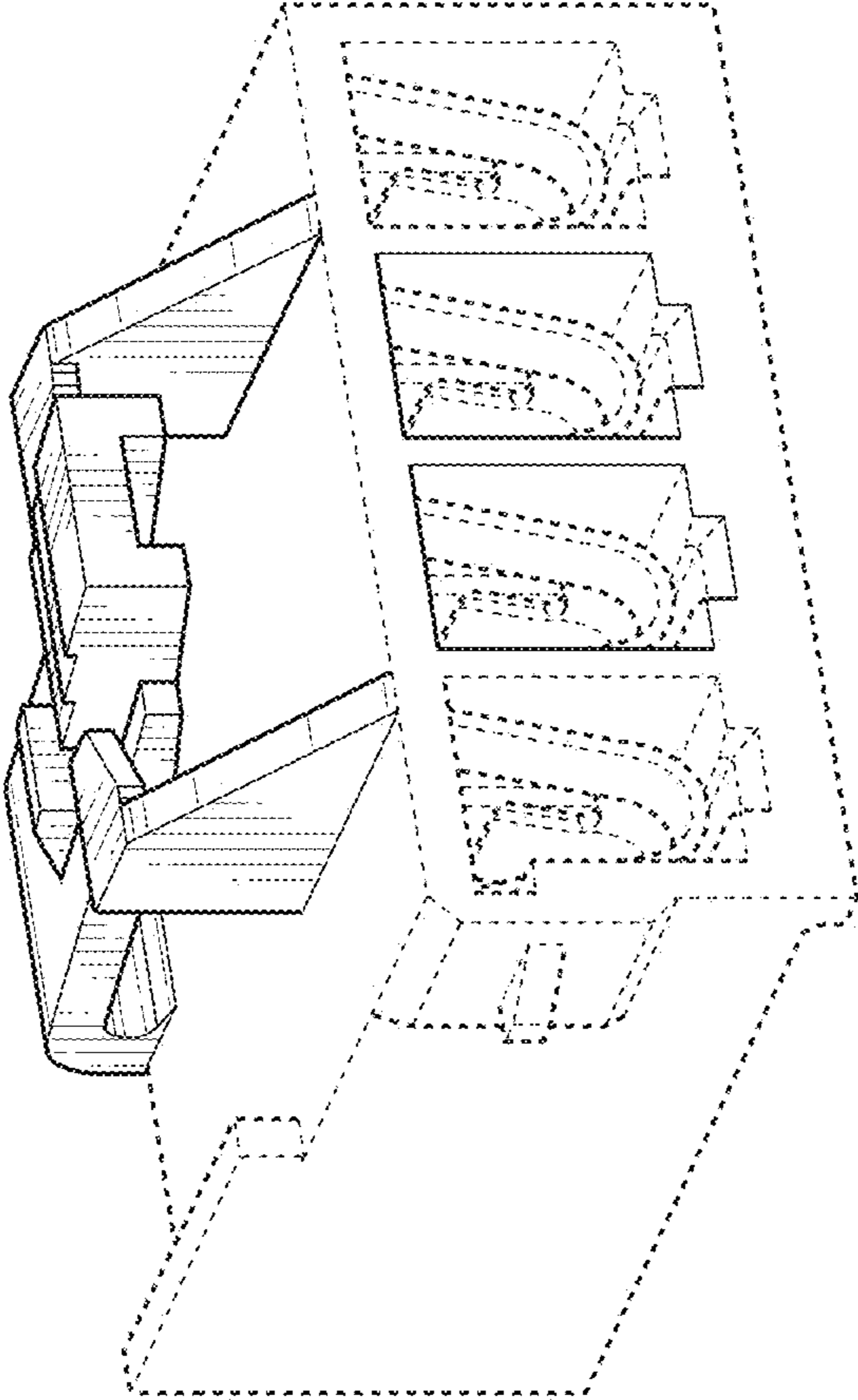


FIG. 11

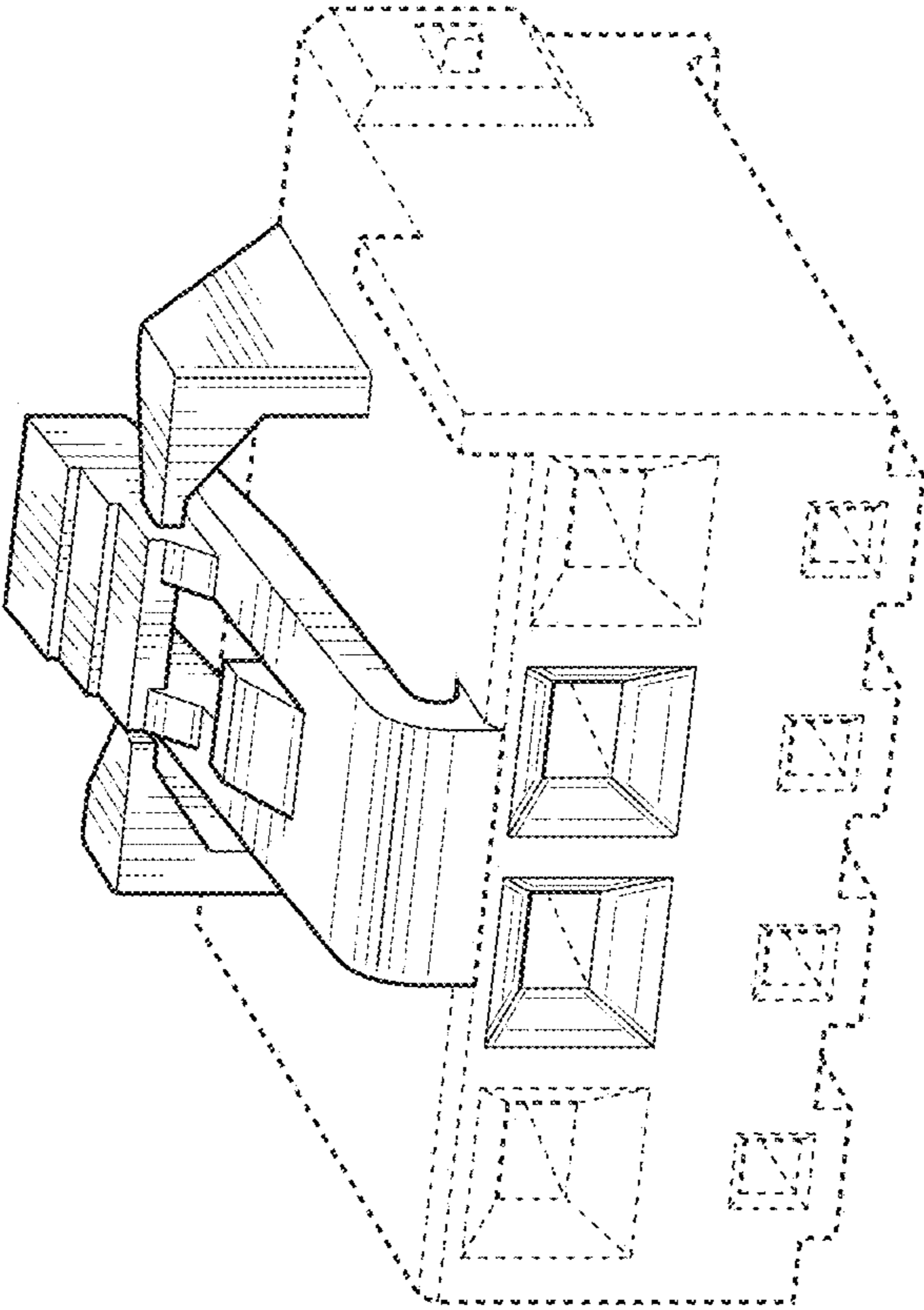


FIG. 12

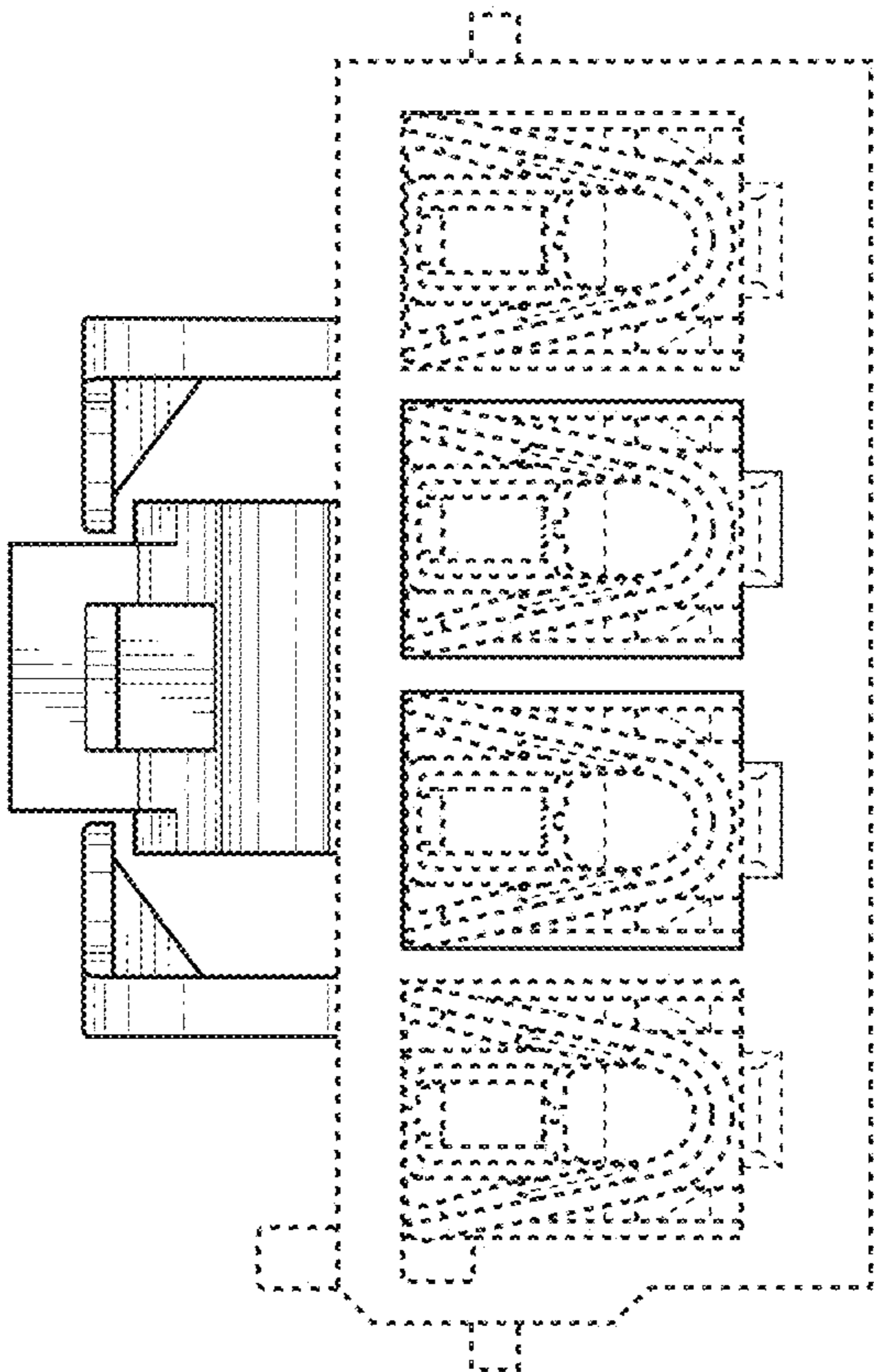


FIG. 13

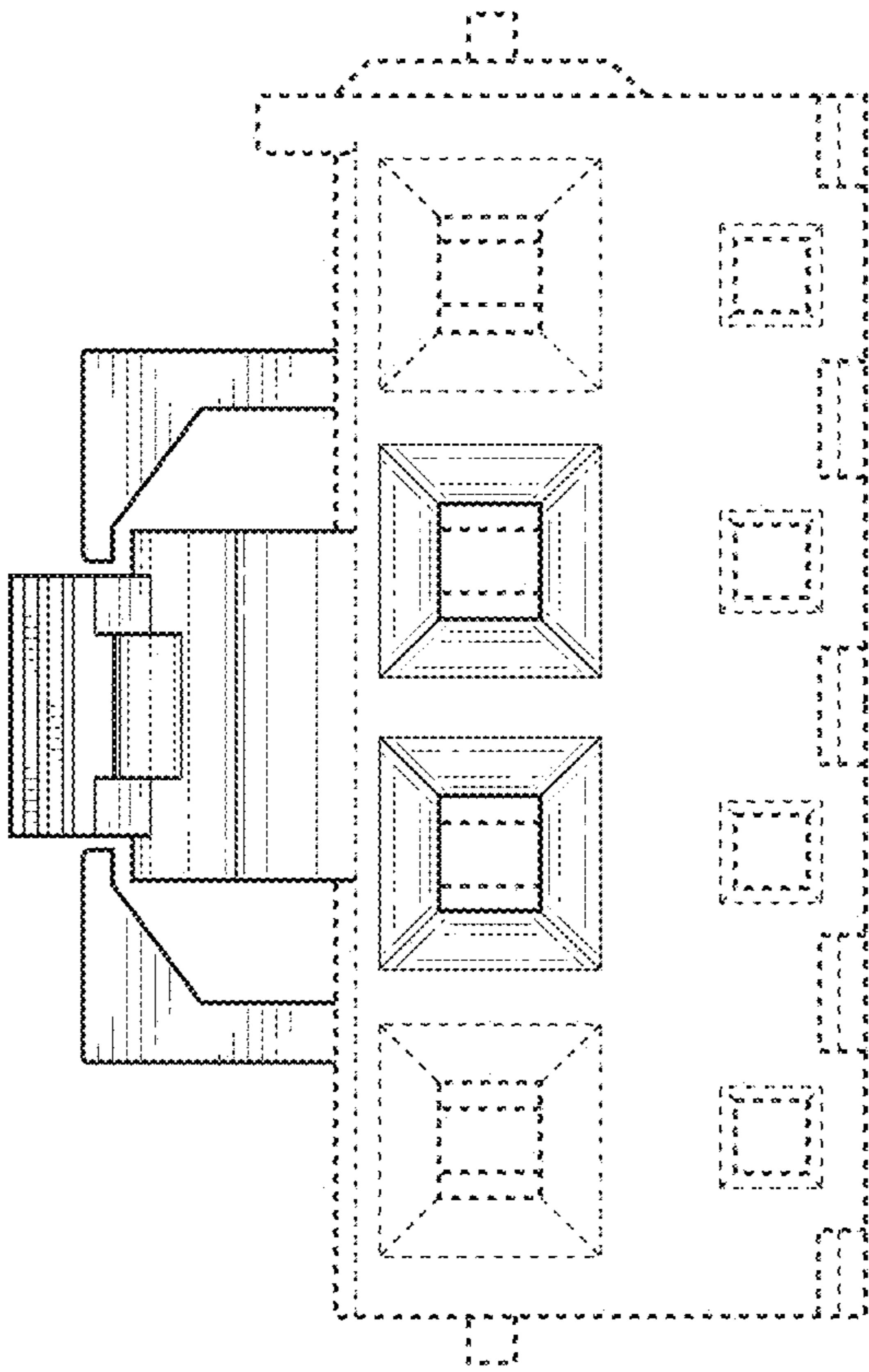


FIG. 14



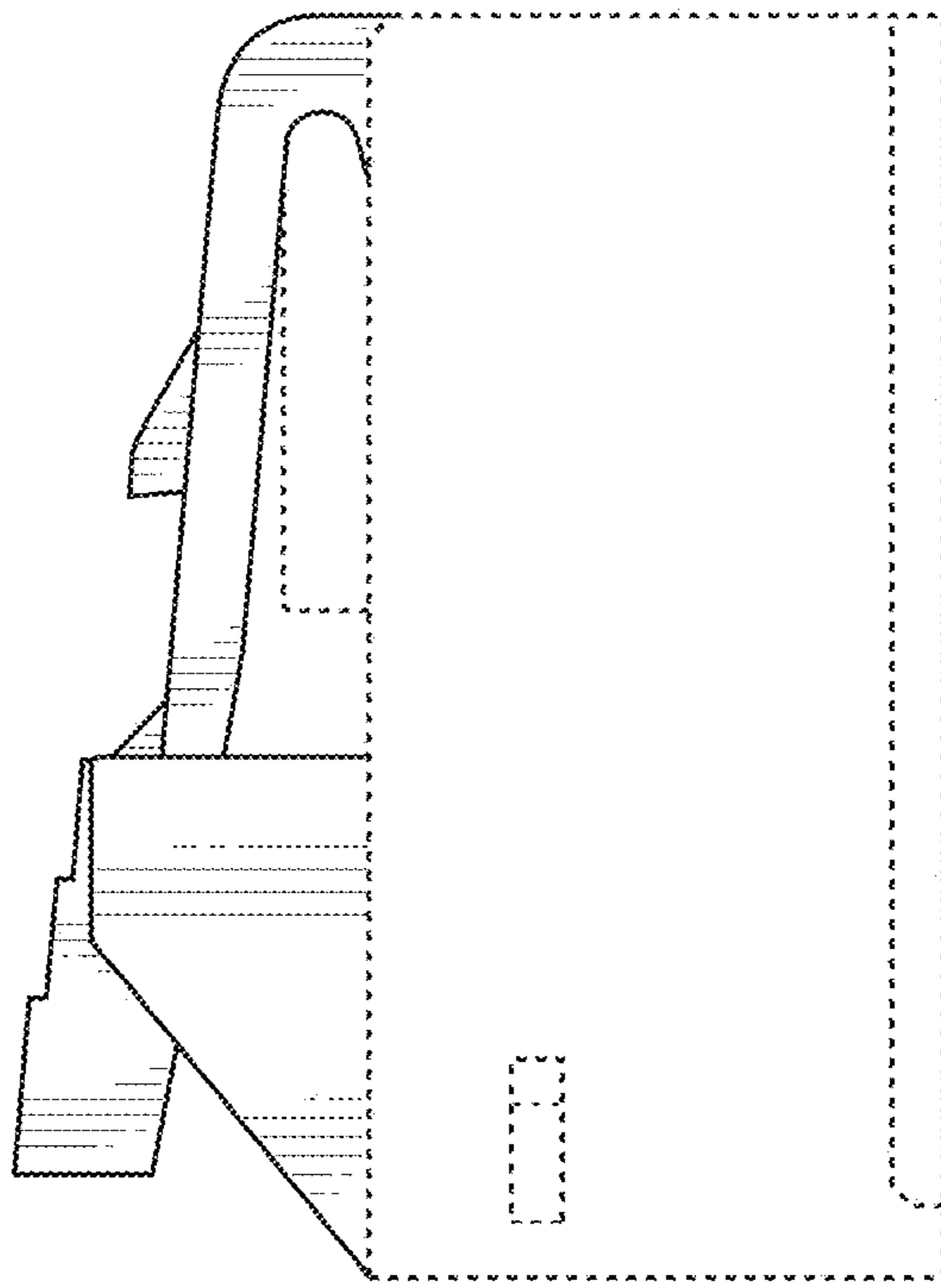


FIG. 15

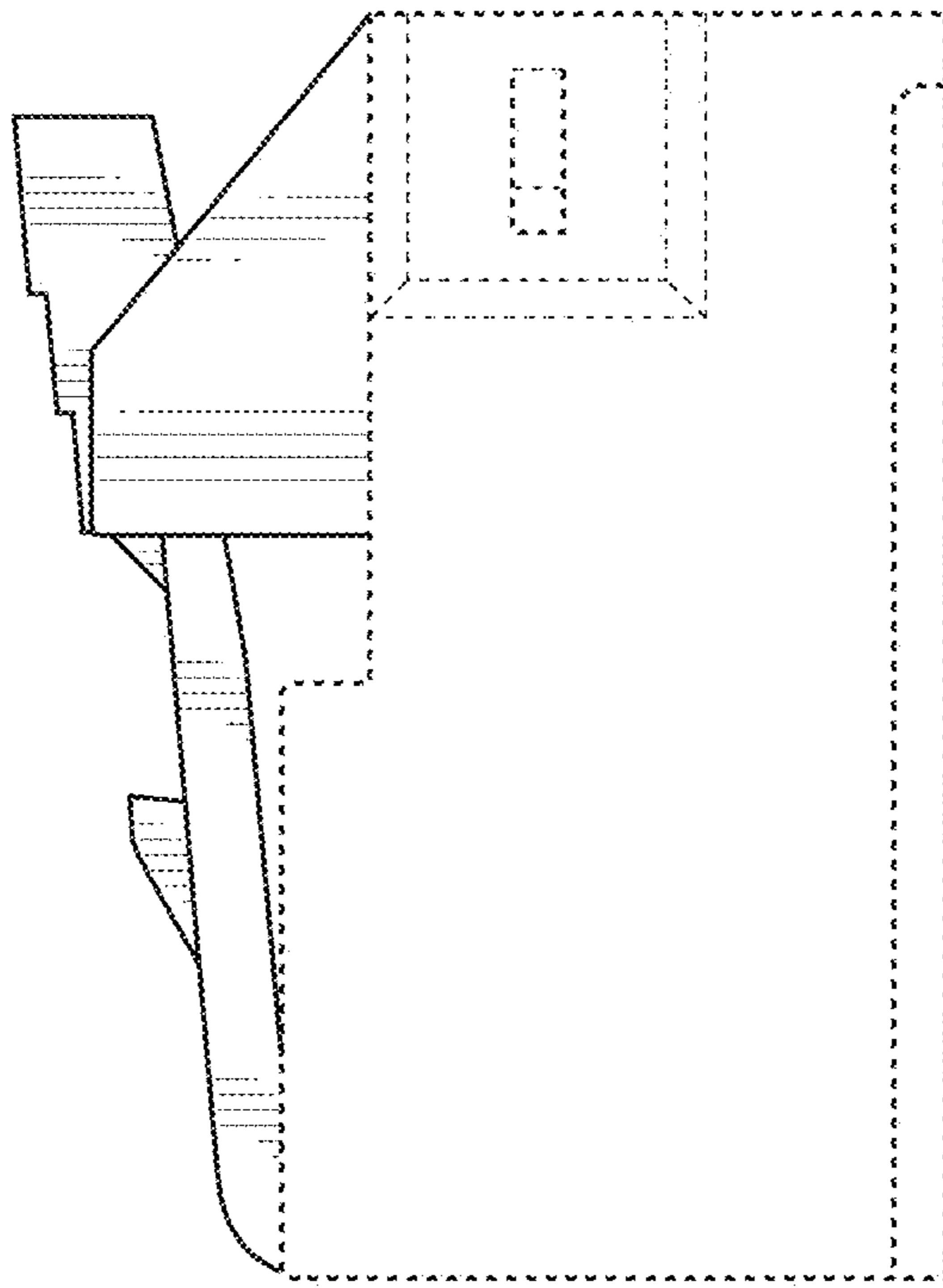


FIG. 16

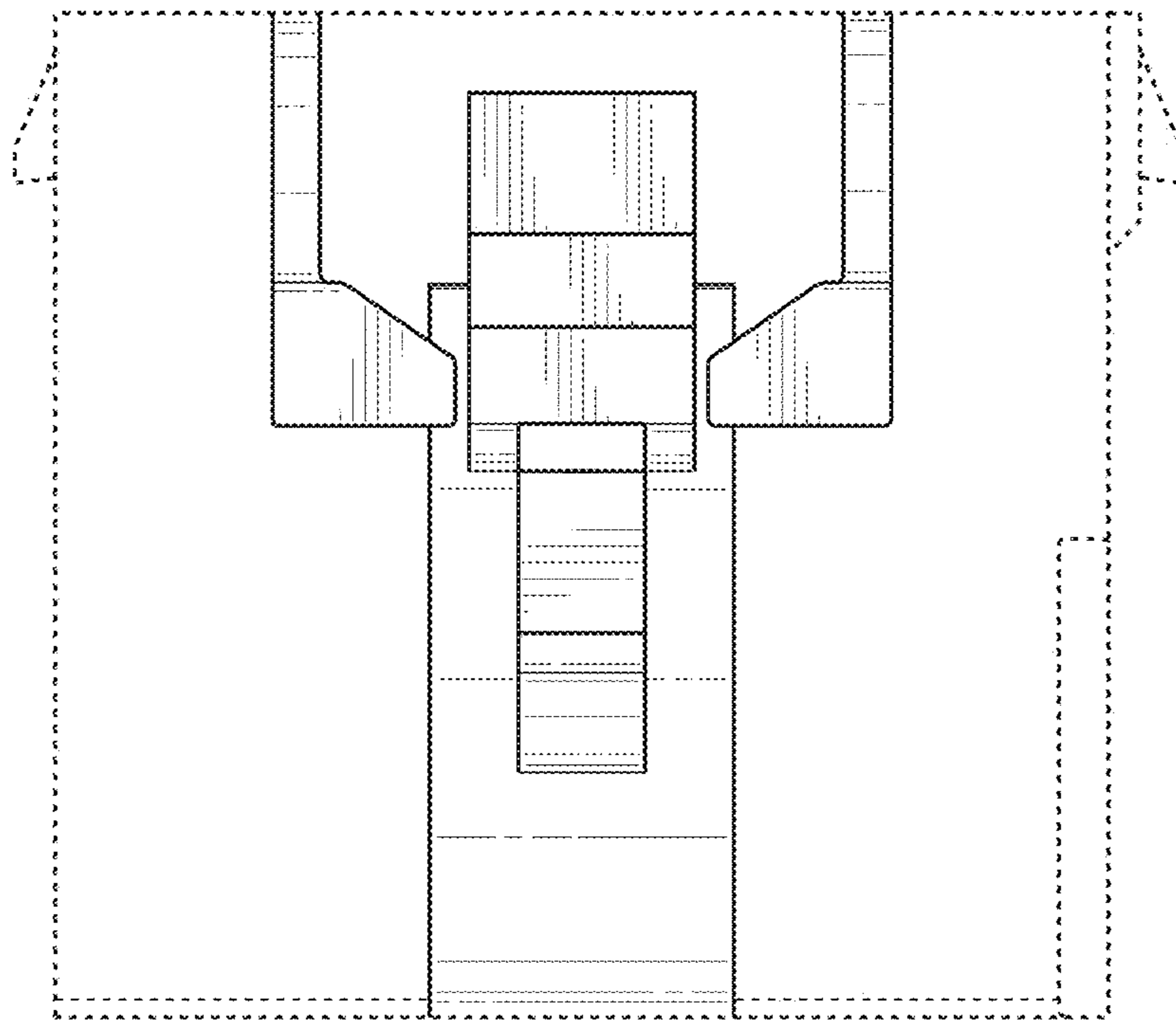


FIG. 17

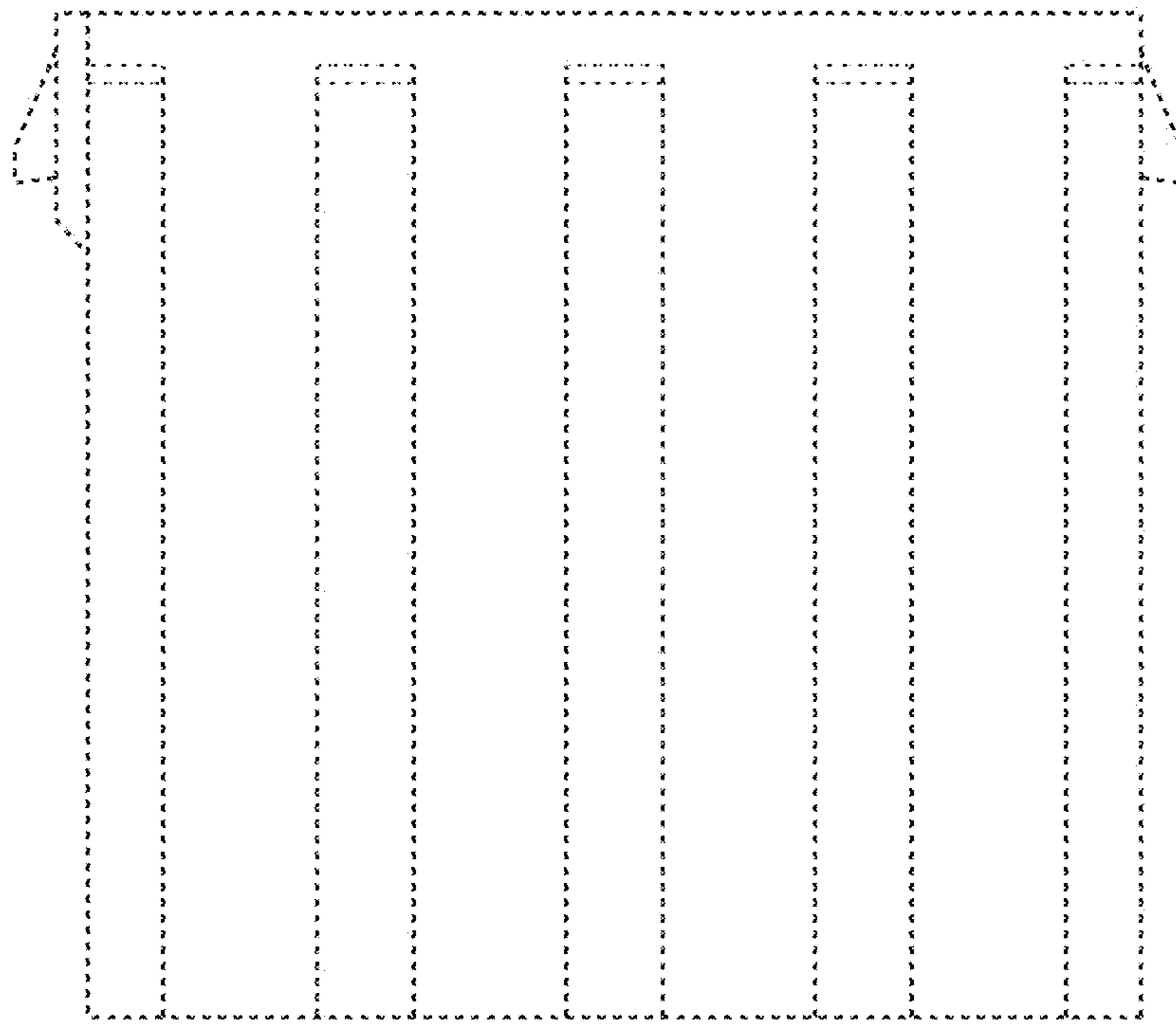


FIG. 18

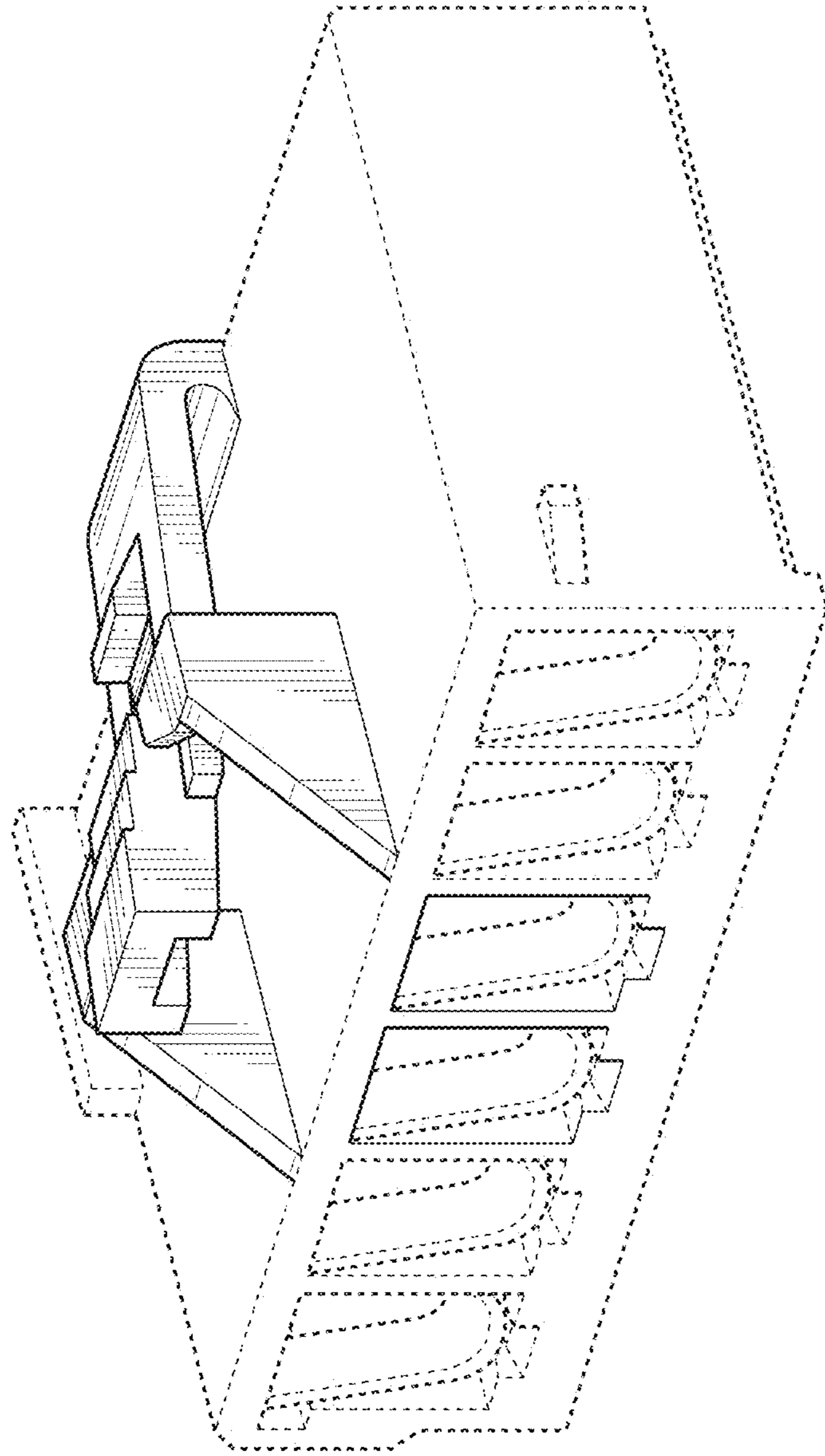


FIG. 19

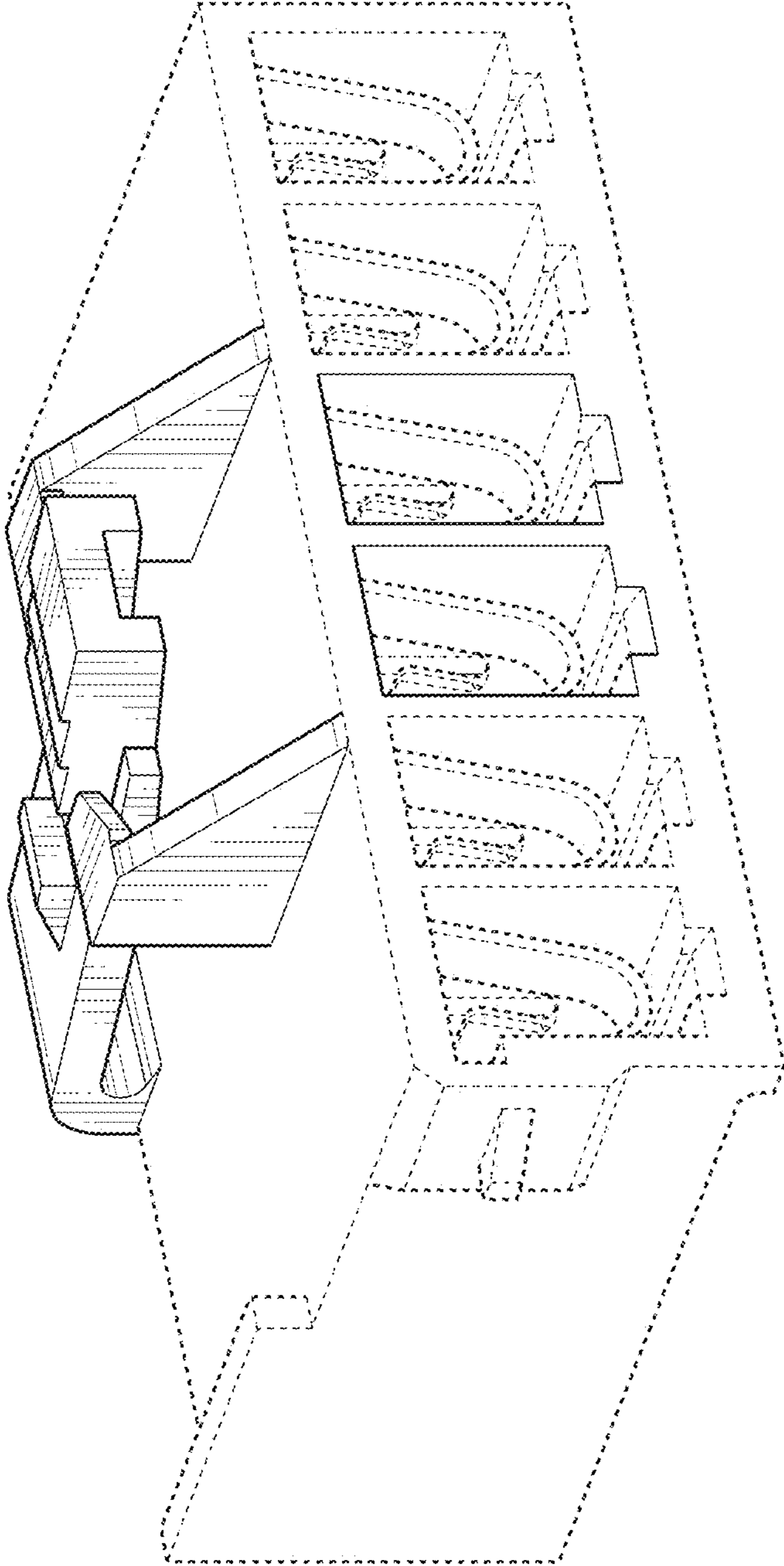


FIG. 20

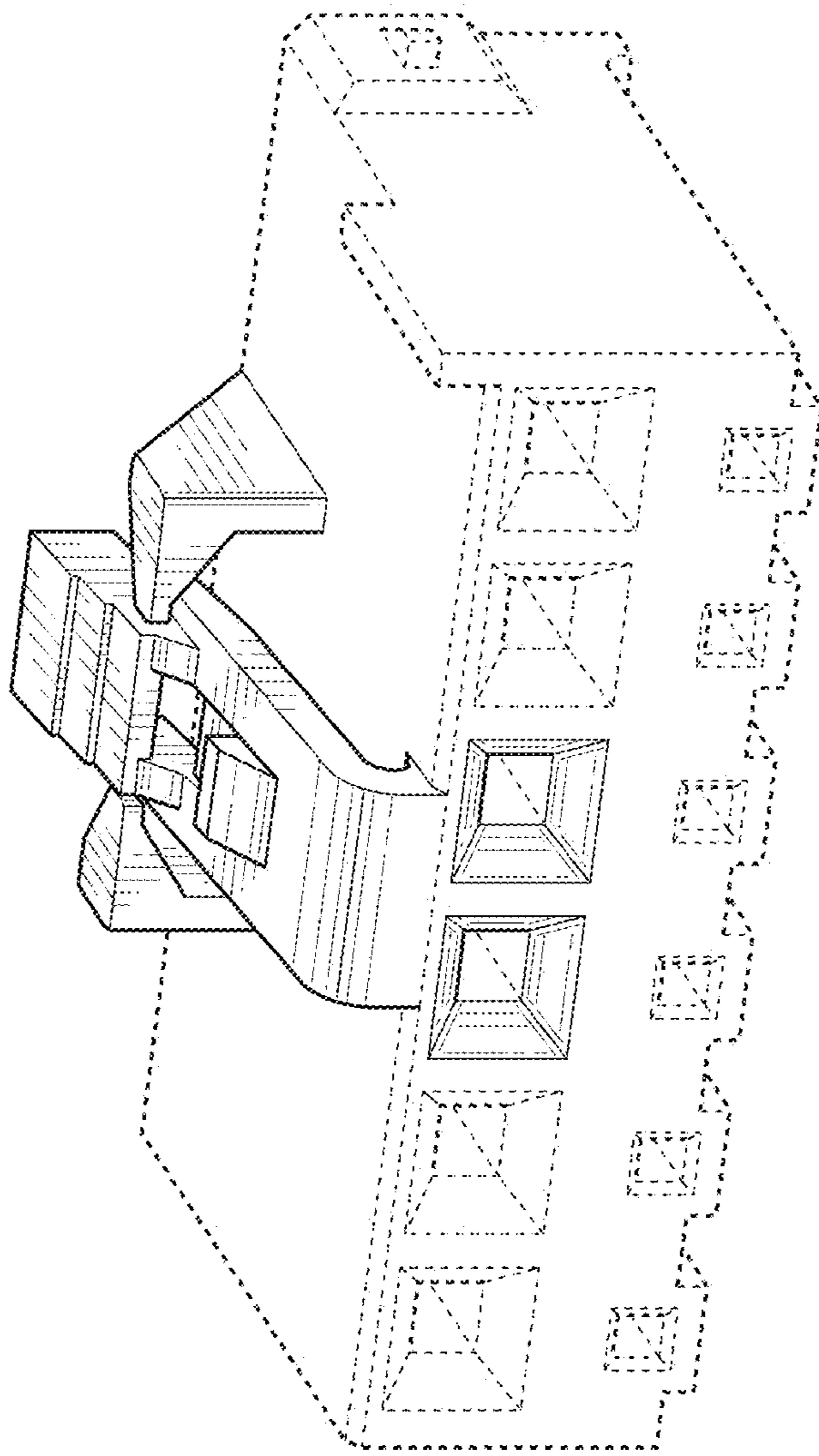


FIG. 21

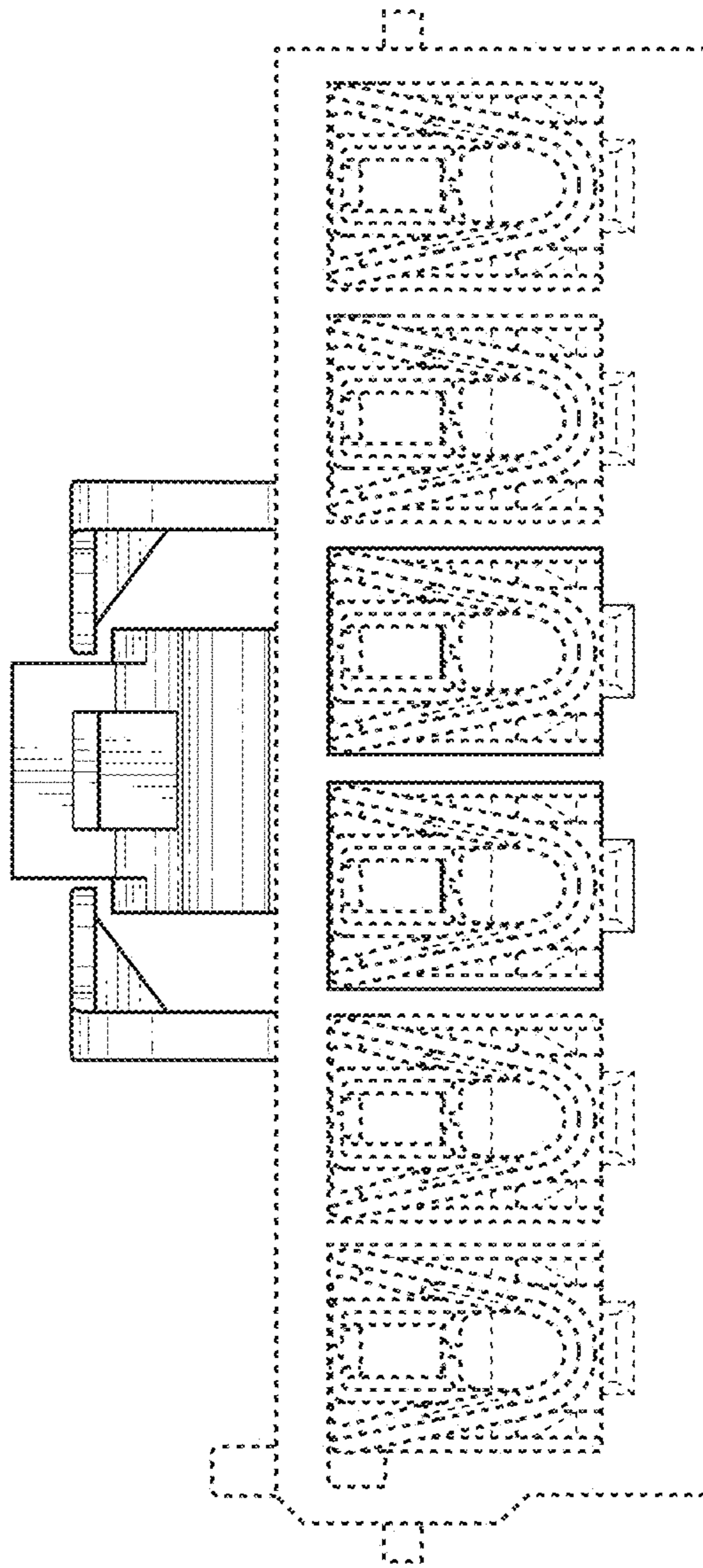


FIG. 22



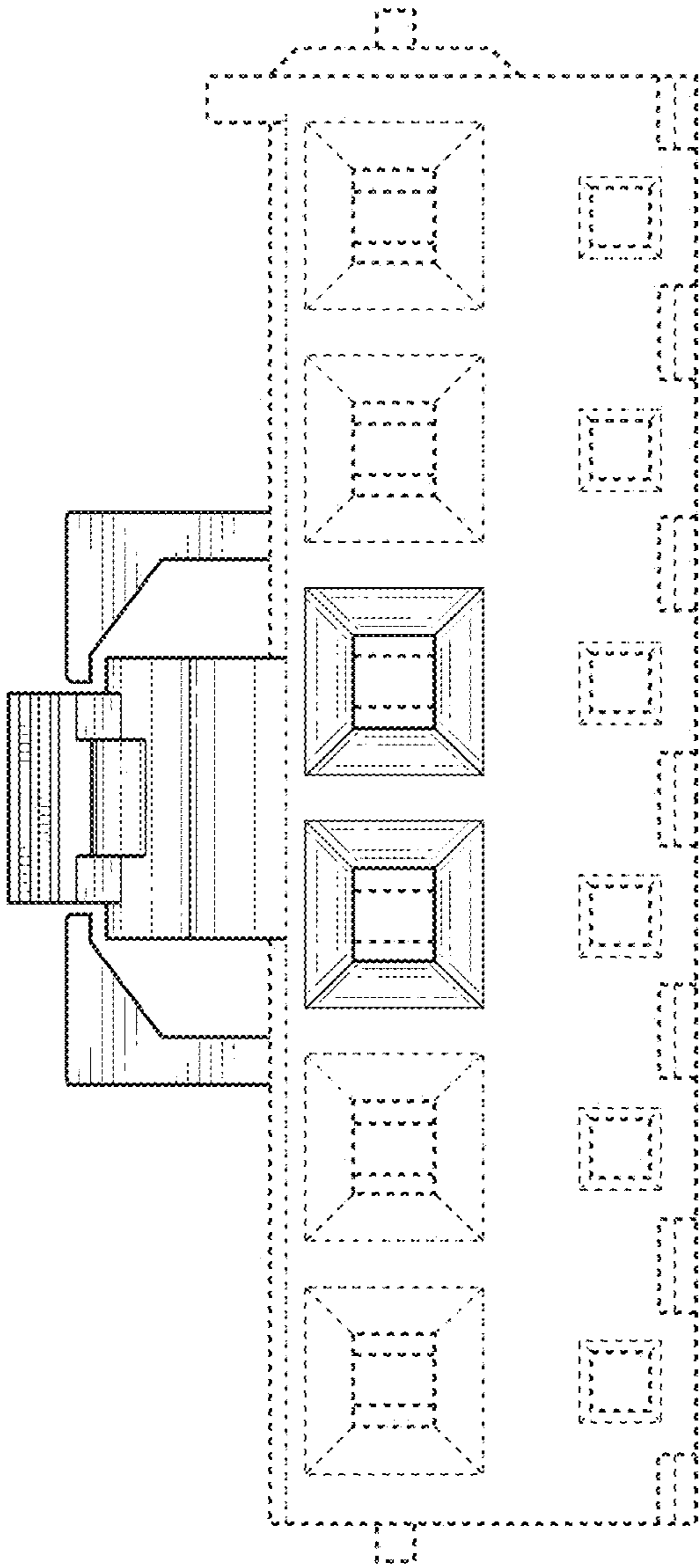


FIG. 23

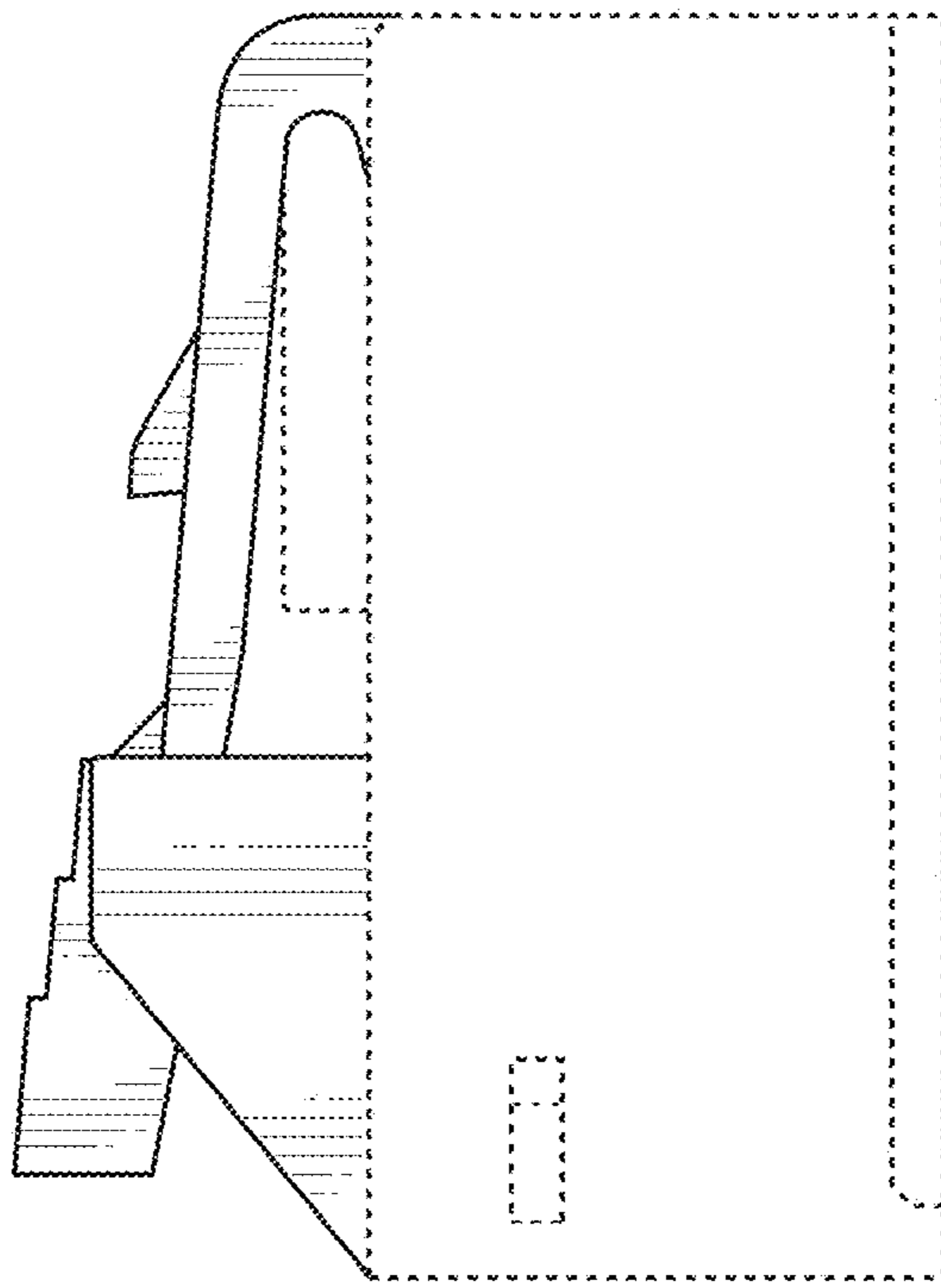


FIG. 24

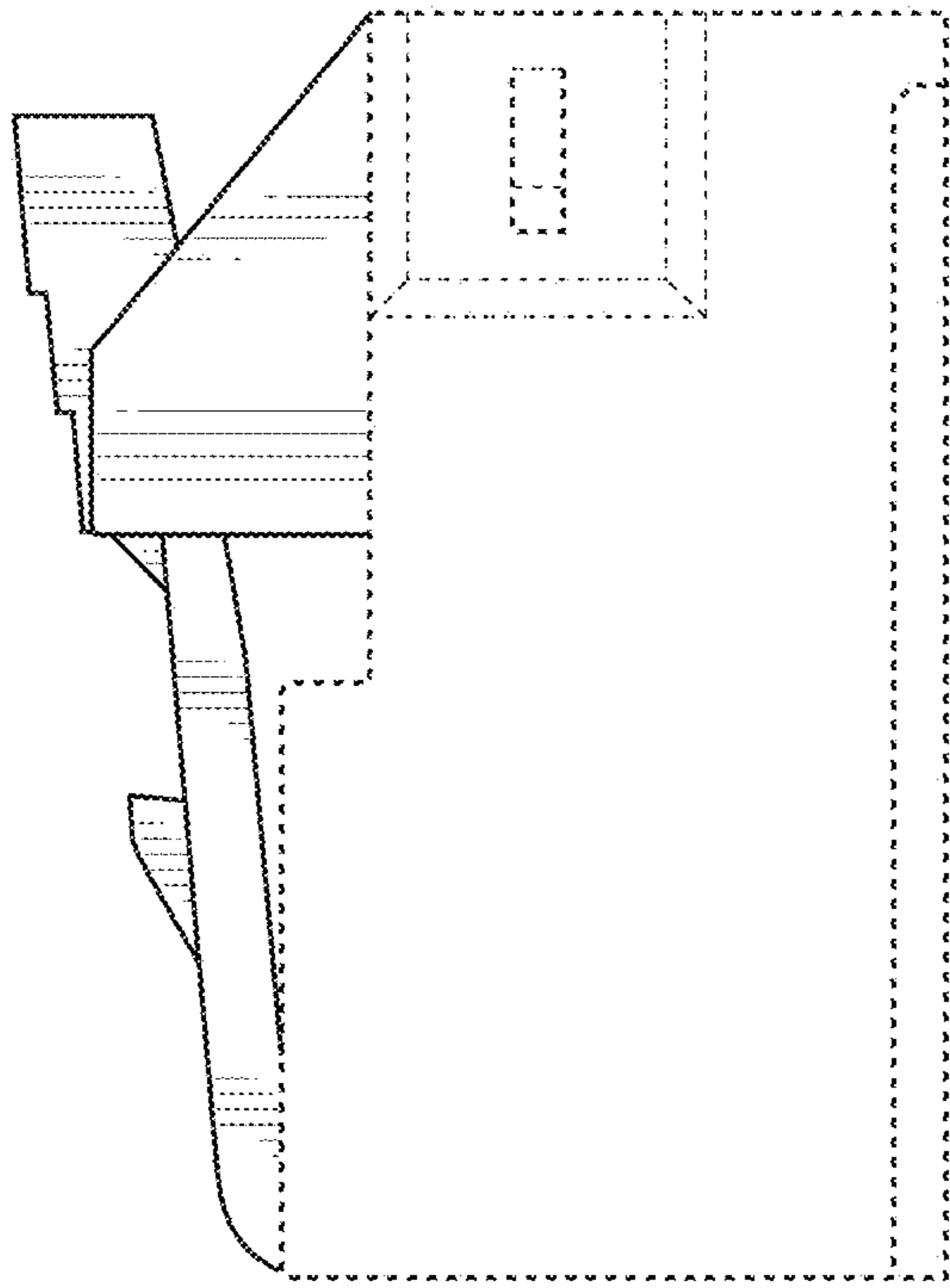


FIG. 25

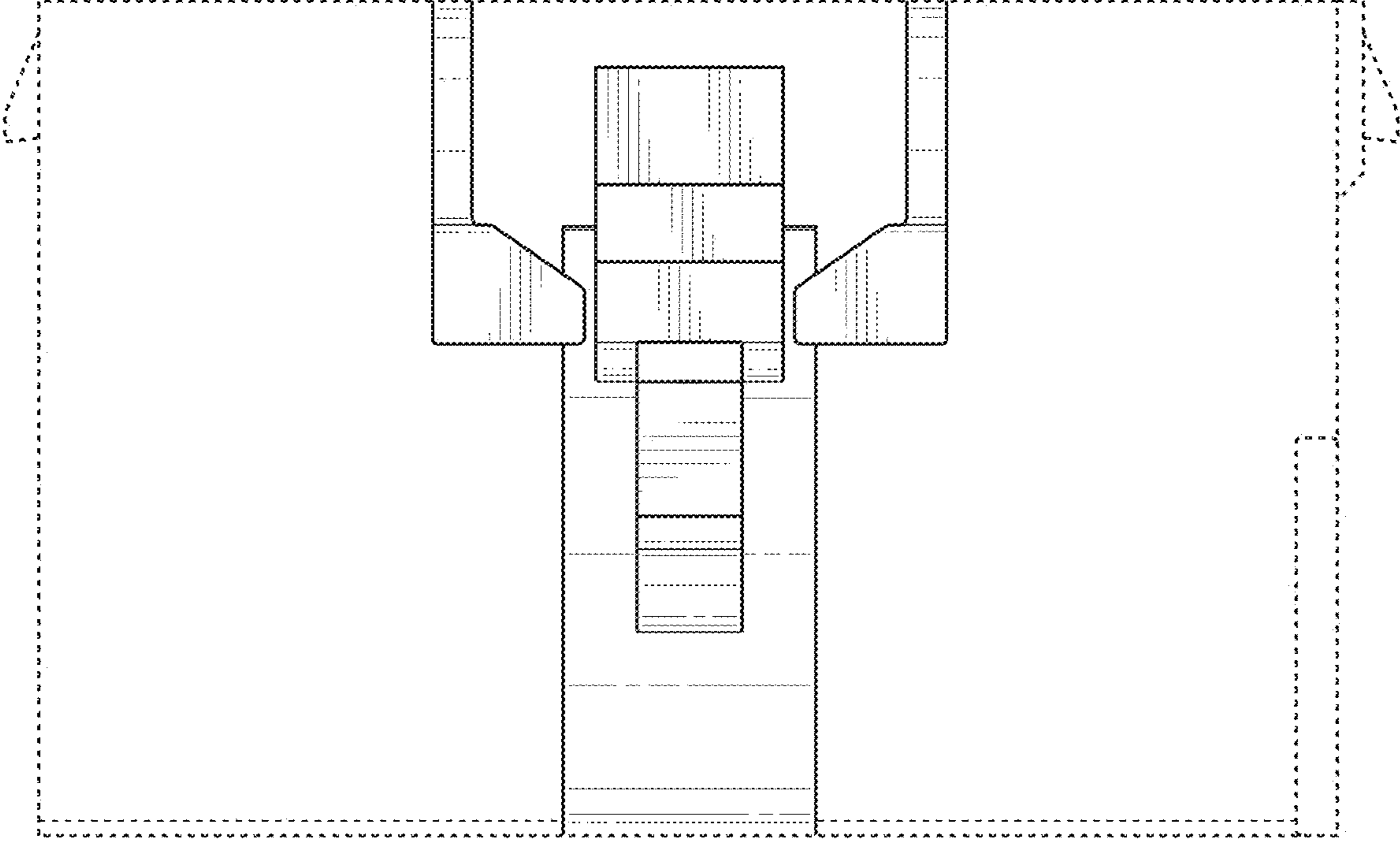


FIG. 26

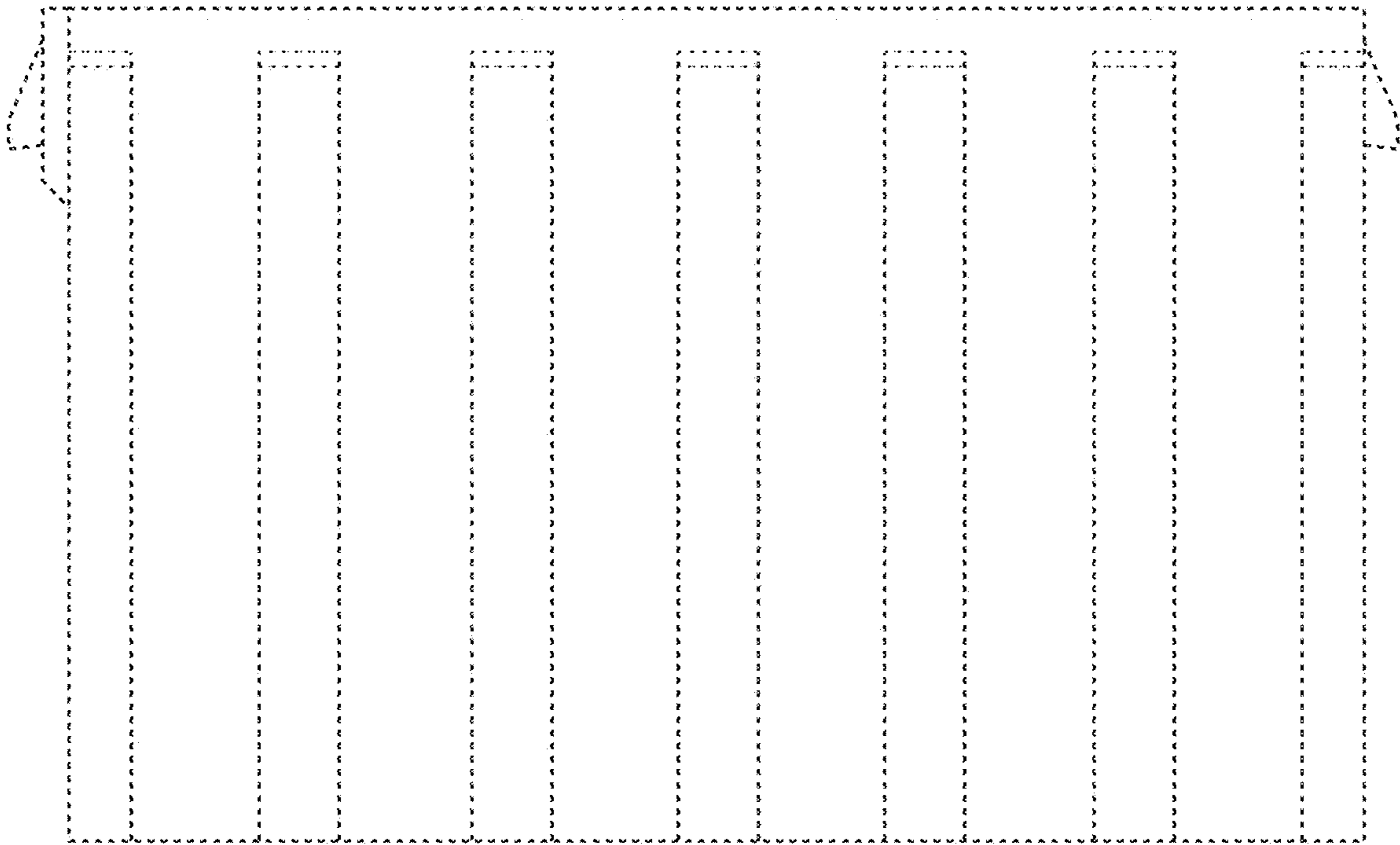


FIG. 27