



US00D906969S

(12) **United States Design Patent** (10) **Patent No.:** **US D906,969 S**
Stockman (45) **Date of Patent:** **** Jan. 5, 2021**

(54) **MAGNET FOR ATTACHMENT TO A CAPACITOR**

FOREIGN PATENT DOCUMENTS

(71) Applicant: **American Radionic Company, Inc.**,
Palm Coast, FL (US)

JP D1456333 * 11/2012

(72) Inventor: **Robert M. Stockman**, Palm Coast, FL
(US)

OTHER PUBLICATIONS

(73) Assignee: **American Radionic Company, Inc.**,
Palm Coast, FL (US)

Amerex Global. Link: <https://www.amerexglobal.com/images/SUPCO.pdf>. 2018. SUPCO Full Line HVACR Product Catalog. (Year: 2018).*

(**) Term: **15 Years**

Primary Examiner — Lauren D McVey

(21) Appl. No.: **29/695,230**

(74) *Attorney, Agent, or Firm* — Fish & Richardson P.C.

(22) Filed: **Jun. 17, 2019**

(57) **CLAIM**

The ornamental design for a magnet for attachment to a capacitor, substantially as shown and described.

Related U.S. Application Data

DESCRIPTION

(63) Continuation of application No. 16/219,646, filed on Dec. 13, 2018.

FIG. 1 is a front perspective view of a first embodiment of a magnet for attachment to a capacitor;

(51) **LOC (13) Cl.** **13-03**

FIG. 2 is a front view thereof;

(52) **U.S. Cl.**

FIG. 3 is a back view thereof;

USPC **D13/129**

FIG. 4 is a right side view thereof;

(58) **Field of Classification Search**

USPC D13/123-132, 154, 199, 184

FIG. 5 is a left side view thereof;

CPC H01G 4/224; H01G 4/232; H01G 4/28;

FIG. 6 is a top view thereof;

H01G 4/385; H01G 4/40

FIG. 7 is a bottom view thereof;

See application file for complete search history.

FIG. 8 is a back perspective view thereof shown in an environment;

(56) **References Cited**

U.S. PATENT DOCUMENTS

D408,266 S * 4/1999 Santiago D8/354
D505,211 S * 5/2005 Stanchfield D25/119
D529,202 S * 9/2006 Nagai D26/1
D541,218 S * 4/2007 Colopy D13/129
D541,746 S * 5/2007 Colopy D13/129
D573,008 S * 7/2008 Sipe D8/356
D681,438 S * 5/2013 Chen D8/394
D707,639 S * 6/2014 Rego D13/173

FIG. 9 is a front perspective view of a second embodiment of a magnet for attachment to a capacitor;

FIG. 10 is a front view thereof;

FIG. 11 is a back view thereof;

FIG. 12 is a right side view thereof;

FIG. 13 is a left side view thereof;

FIG. 14 is a top view thereof;

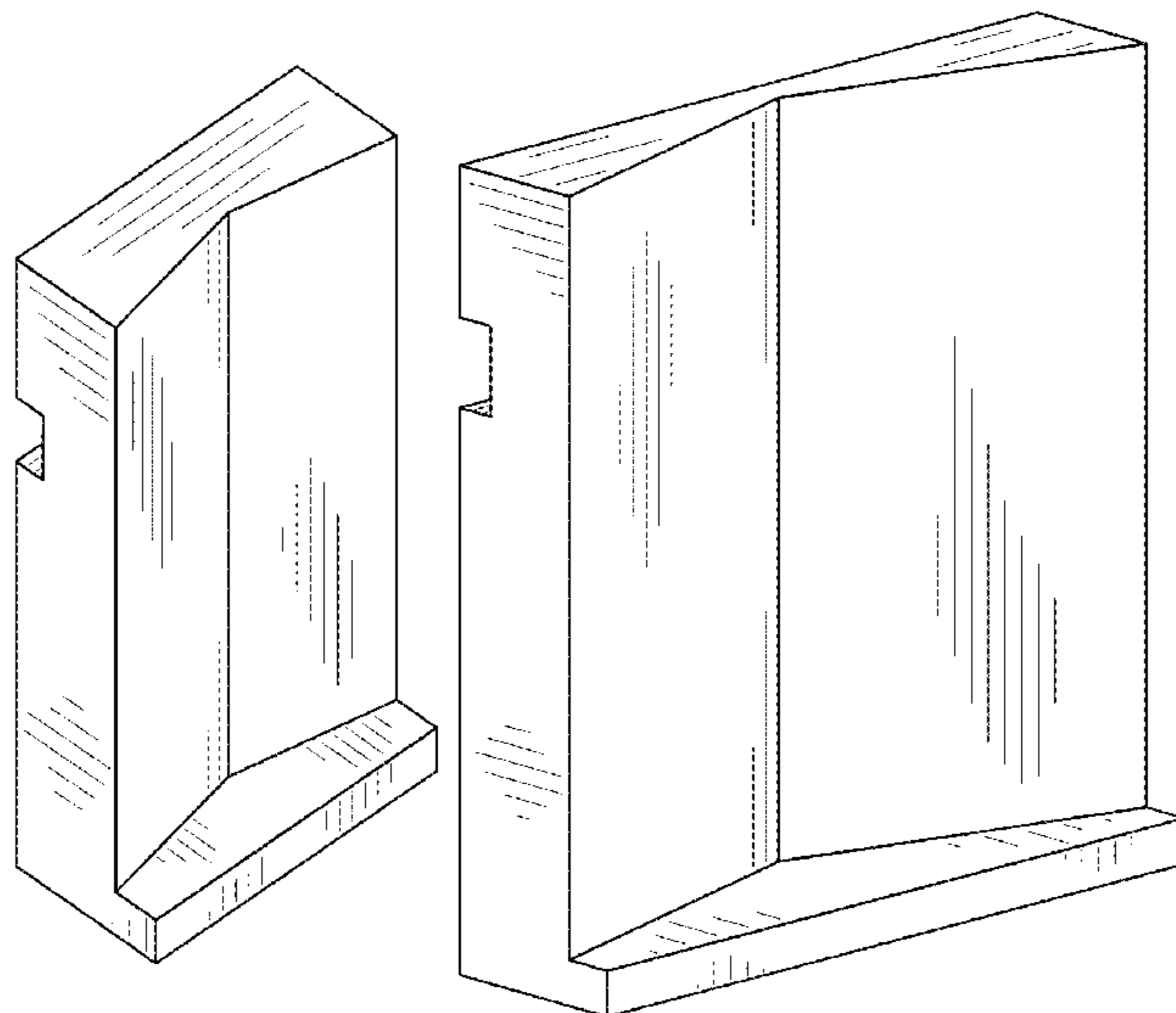
FIG. 15 is a bottom view thereof; and,

FIG. 16 is a back perspective view thereof shown in an environment.

The broken lines illustrate environmental features and form no part of the claimed design.

(Continued)

1 Claim, 7 Drawing Sheets



(56)

References Cited

U.S. PATENT DOCUMENTS

D728,480 S * 5/2015 Chang D13/134
D747,225 S * 1/2016 Decook D10/60
D816,470 S * 5/2018 Green D8/394
D886,741 S * 6/2020 Okajima D13/133
2020/0161057 A1* 5/2020 Stockman H01G 4/236

* cited by examiner

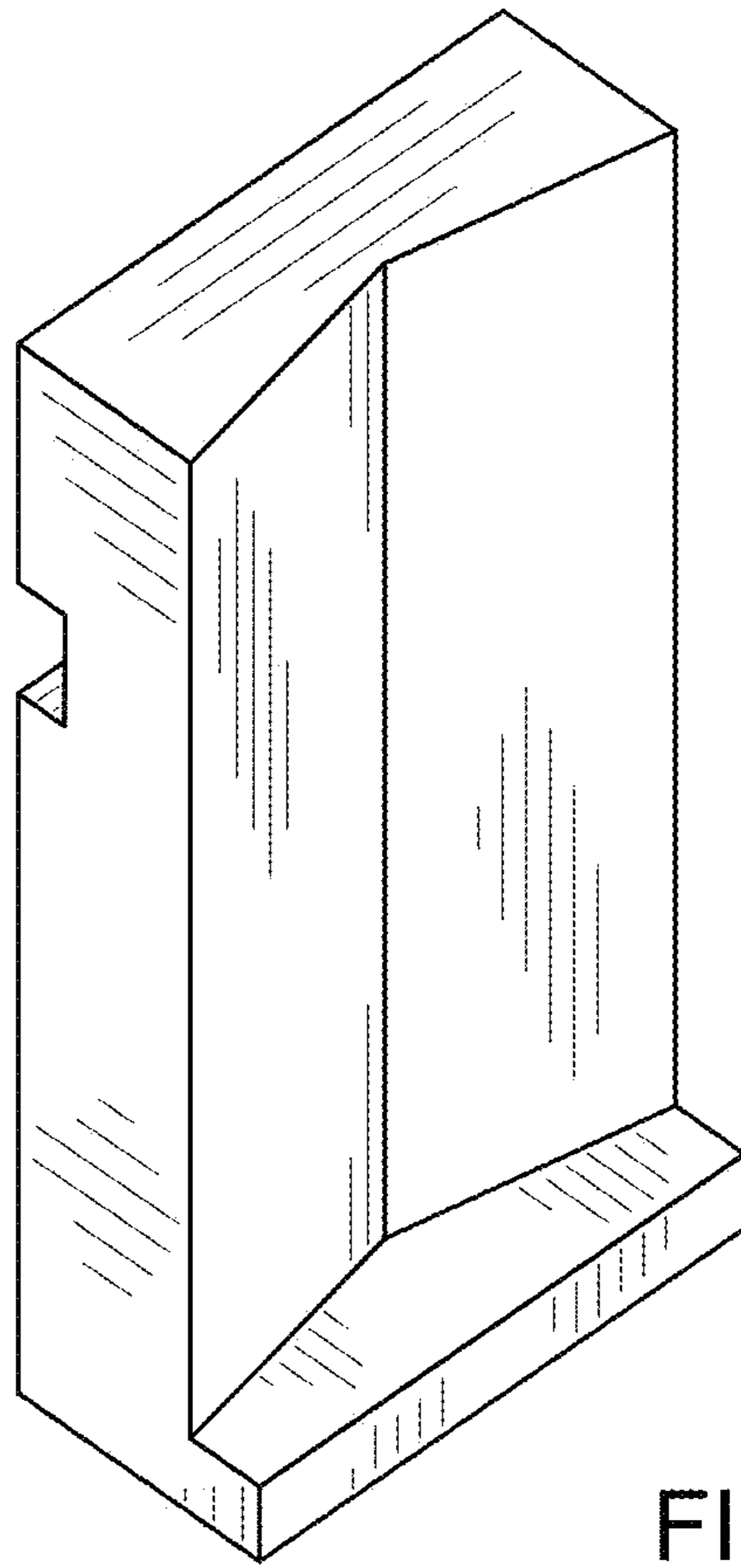


FIG. 1

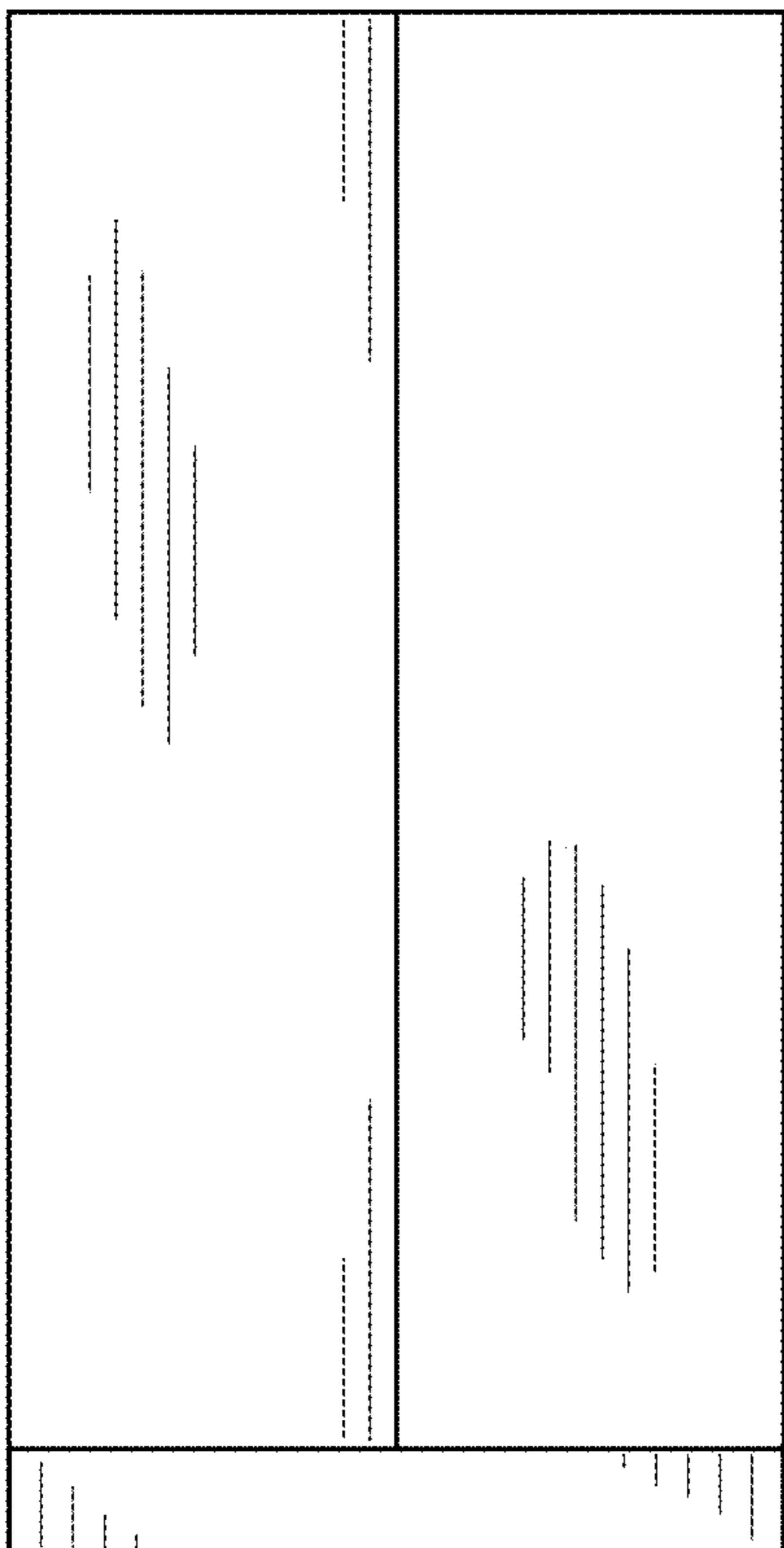


FIG. 2

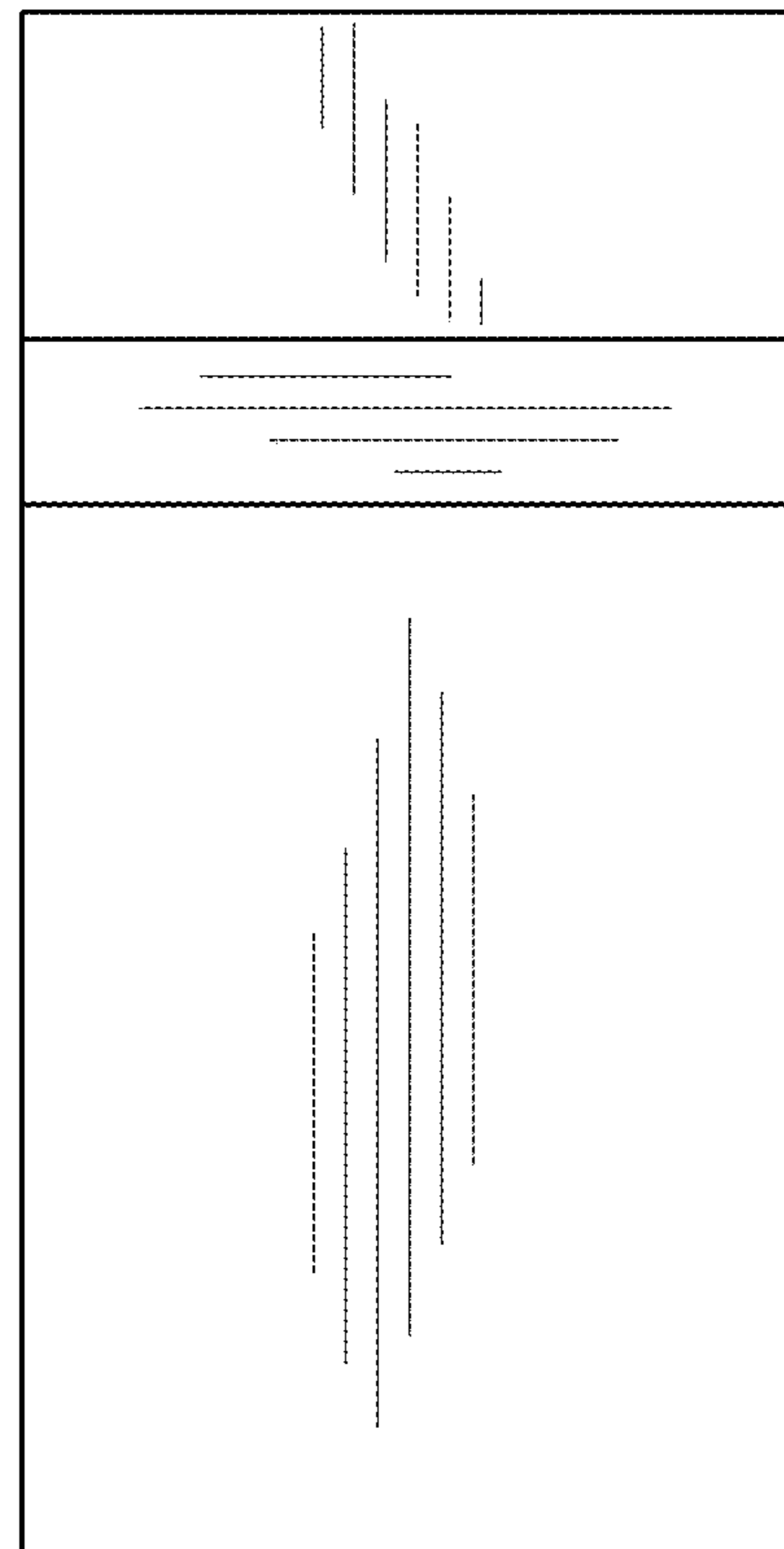


FIG. 3

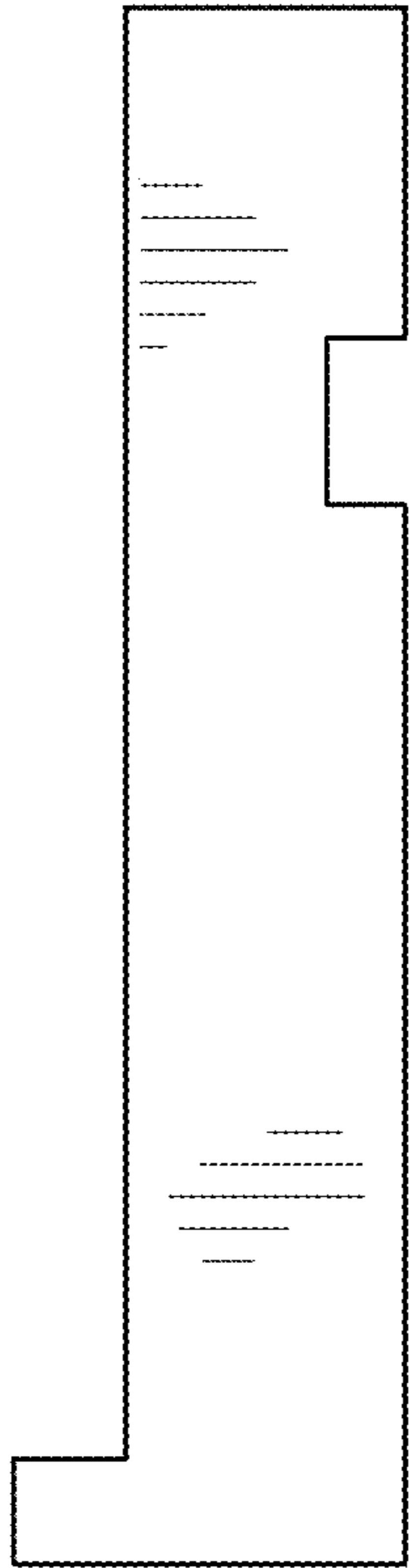


FIG. 4

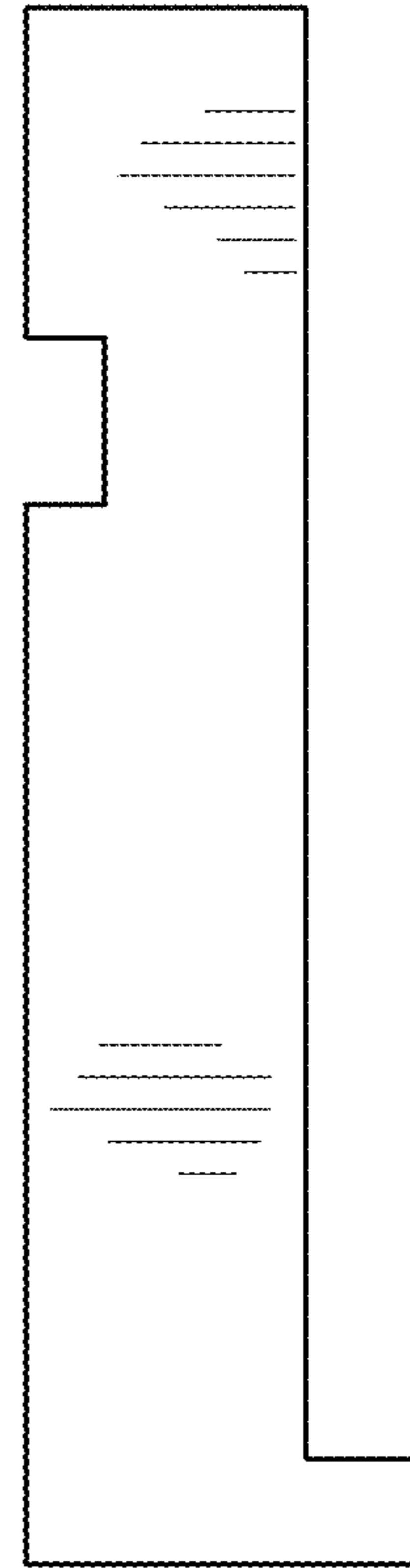


FIG. 5

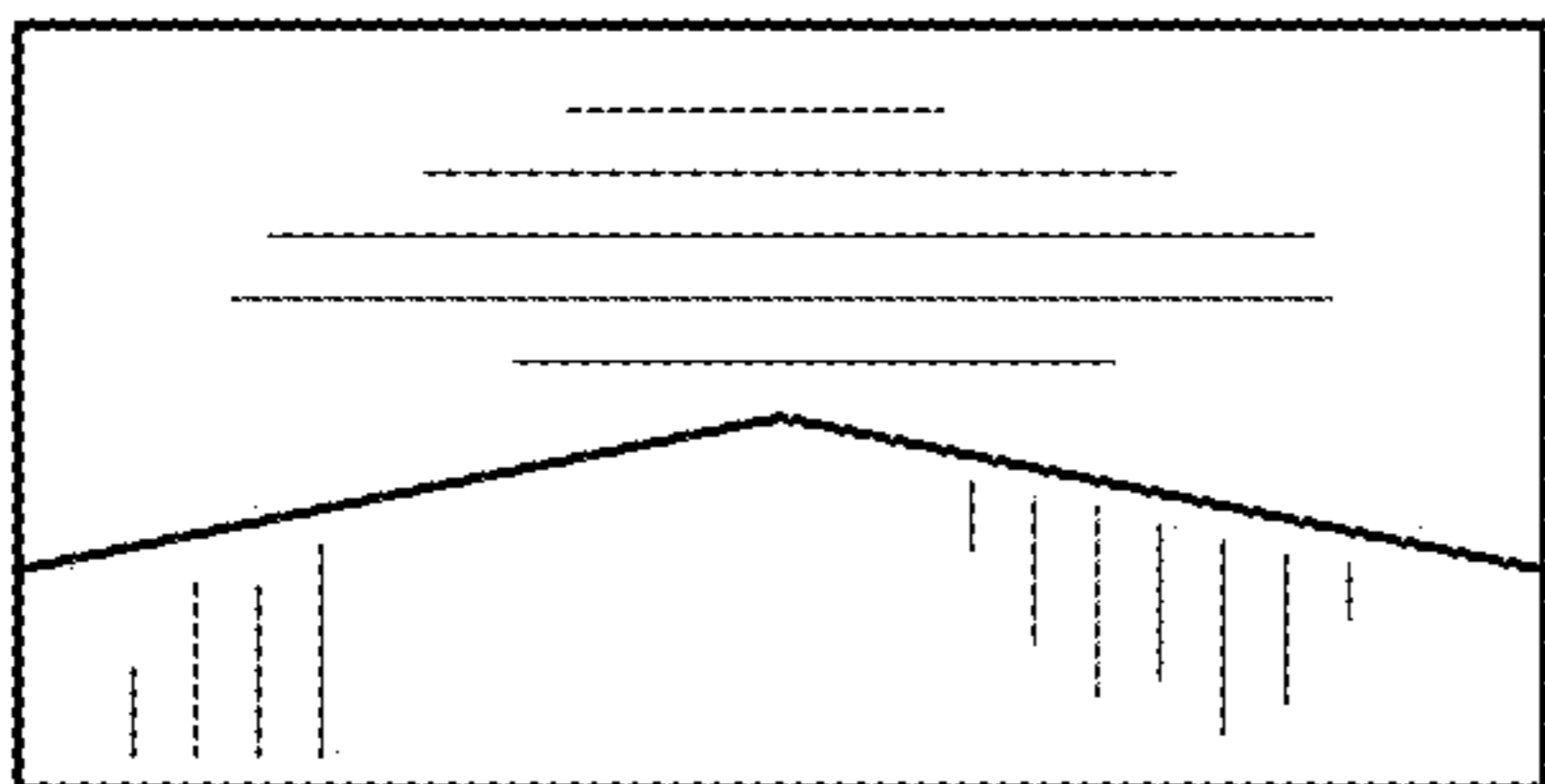


FIG. 6

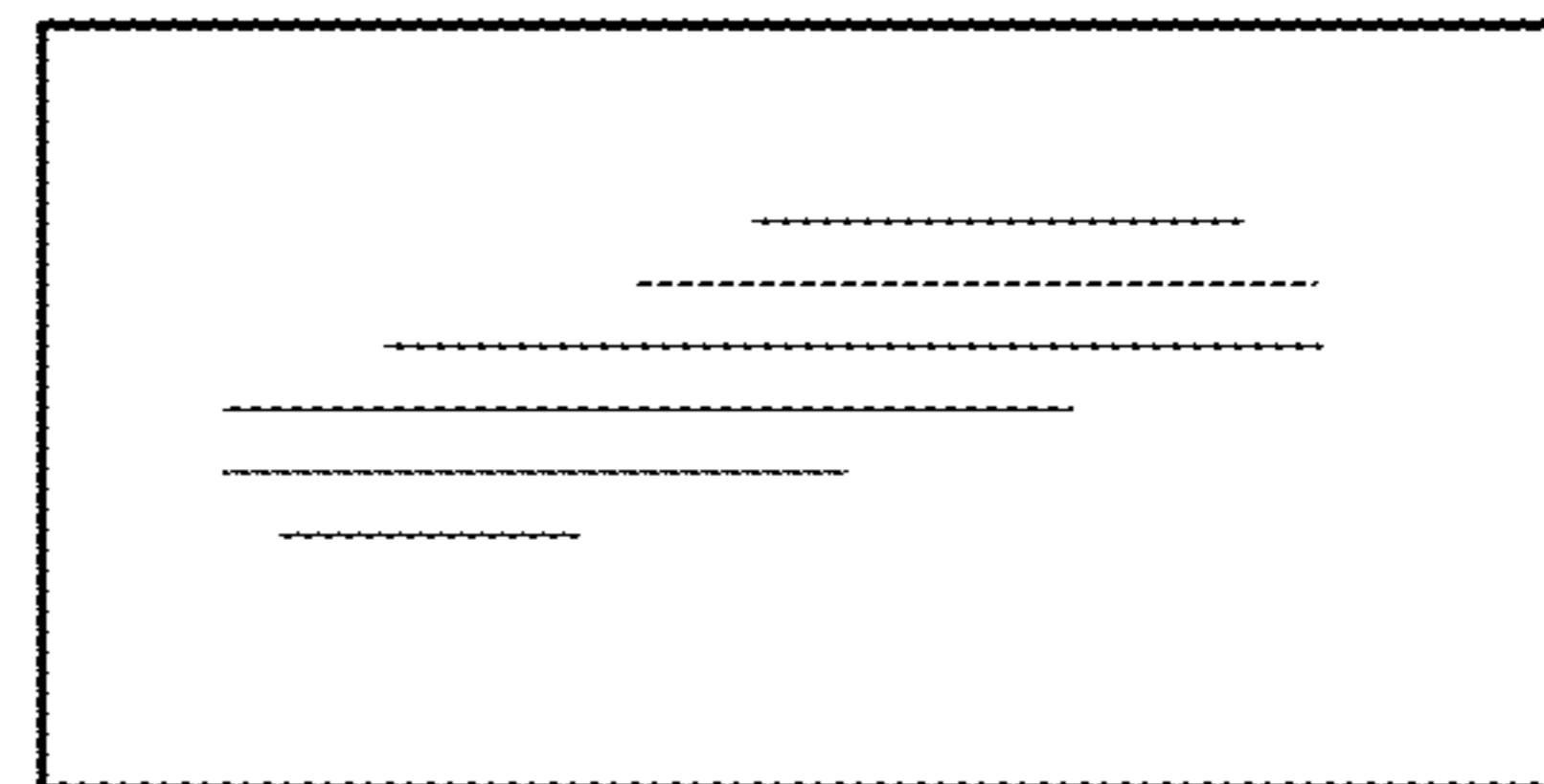


FIG. 7

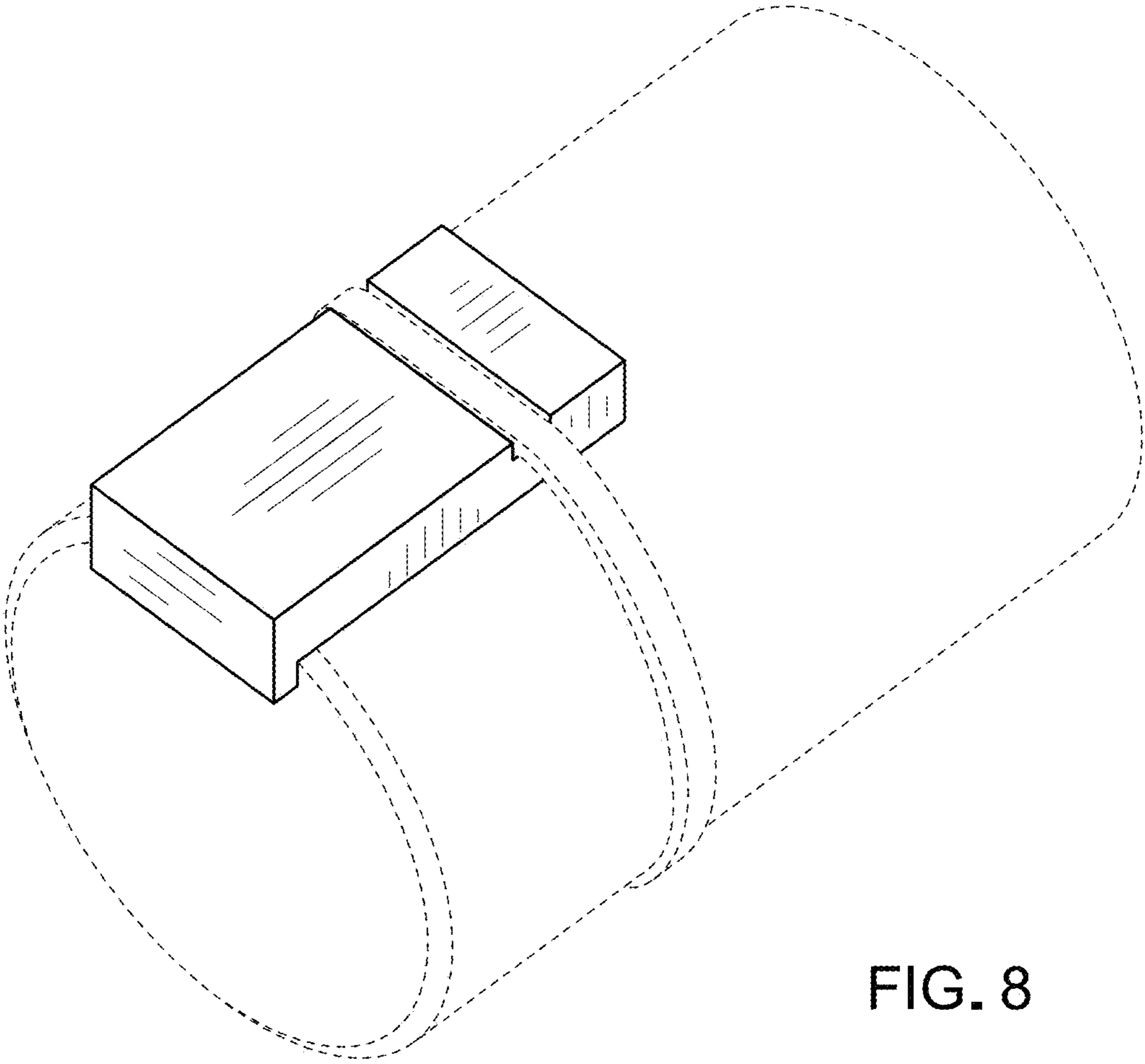


FIG. 8

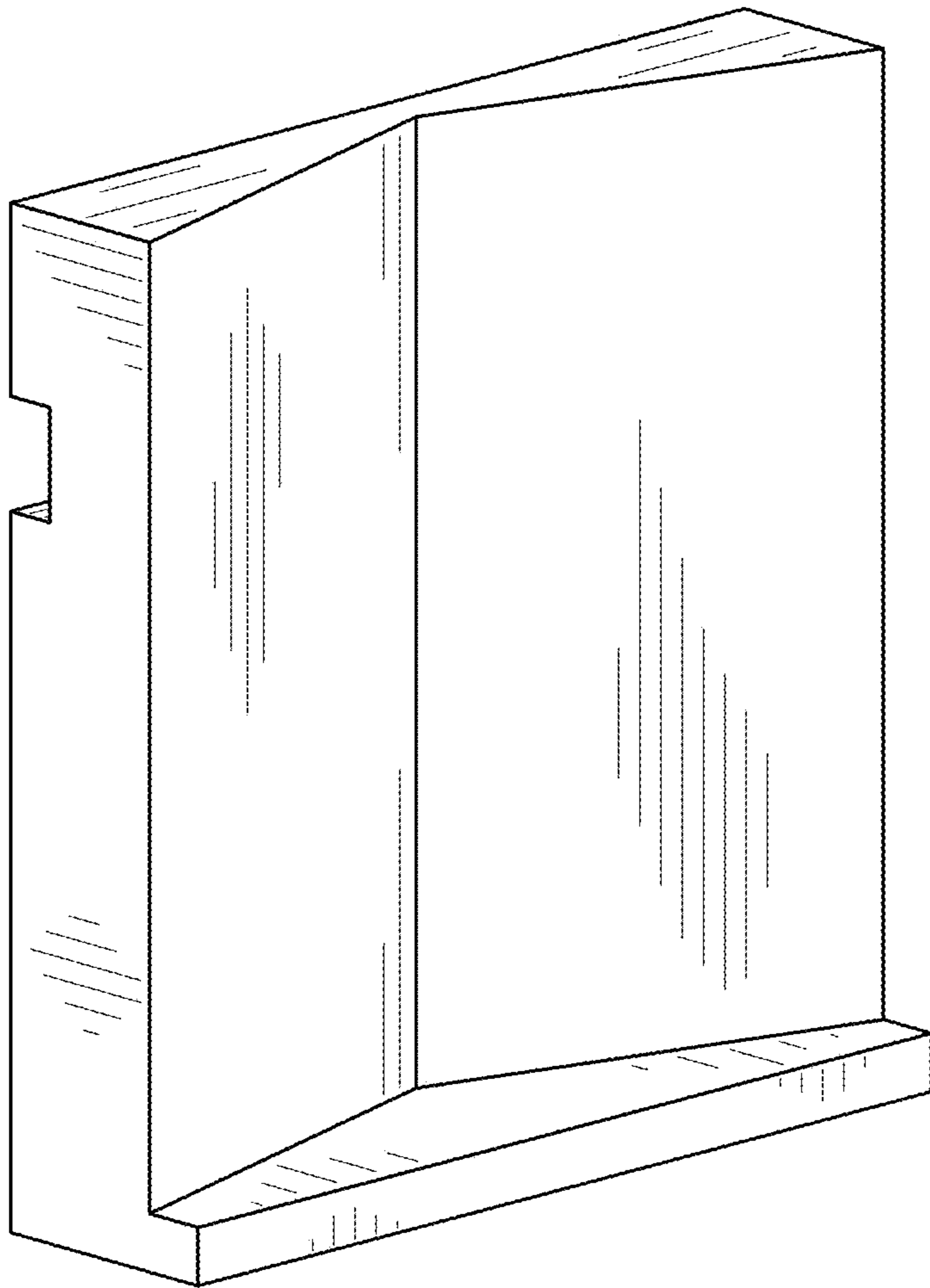


FIG. 9

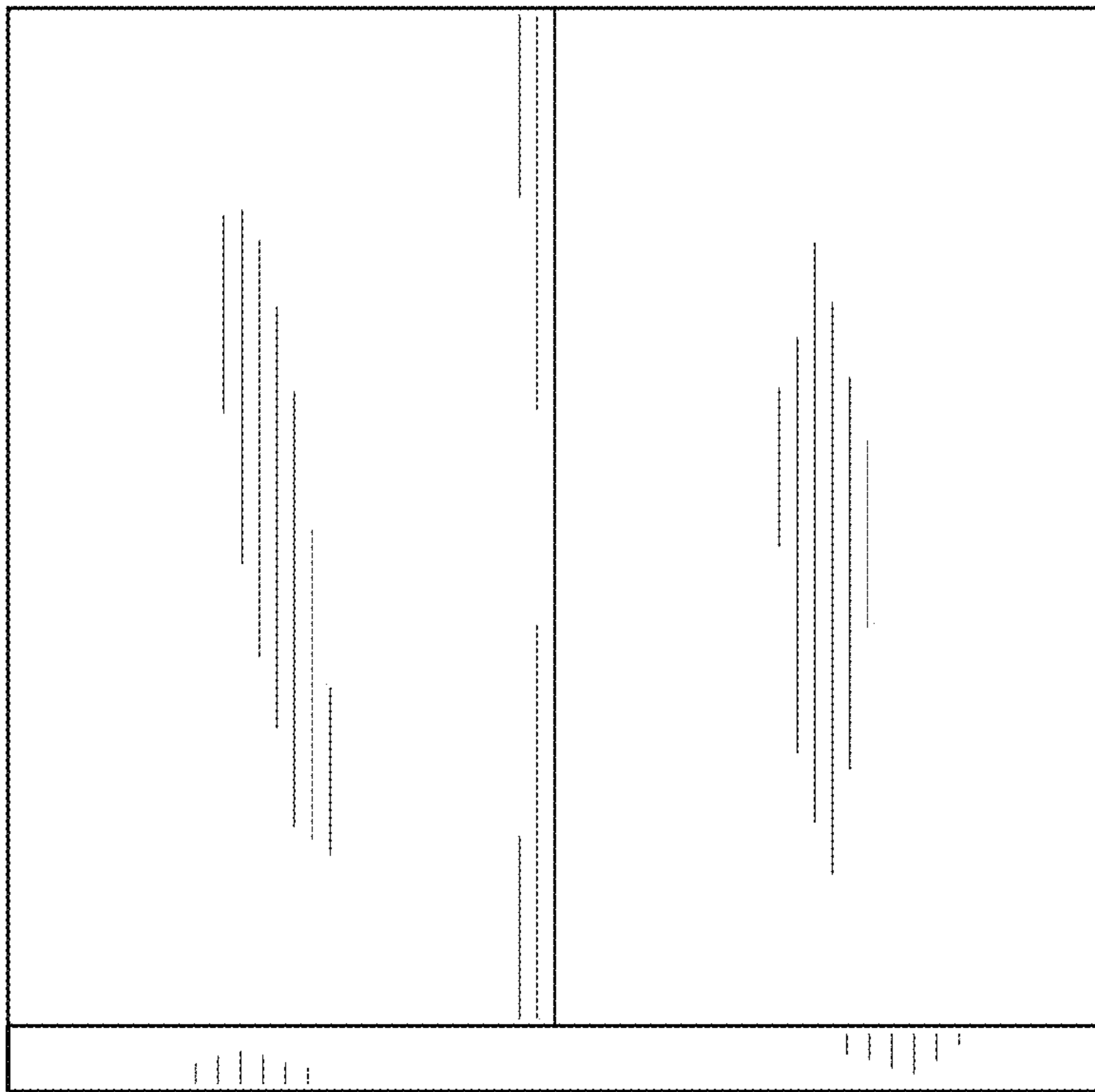


FIG. 10

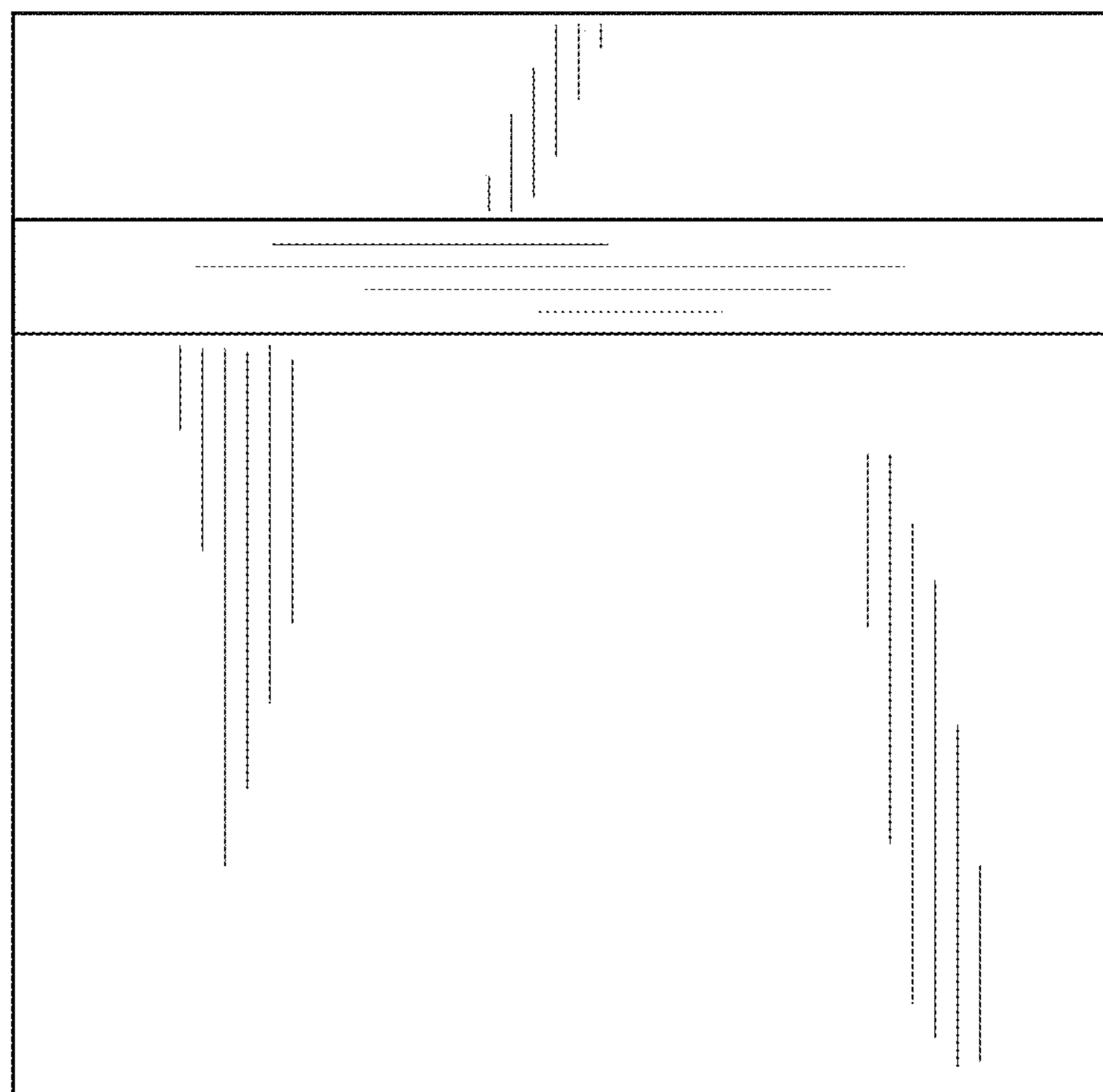


FIG. 11

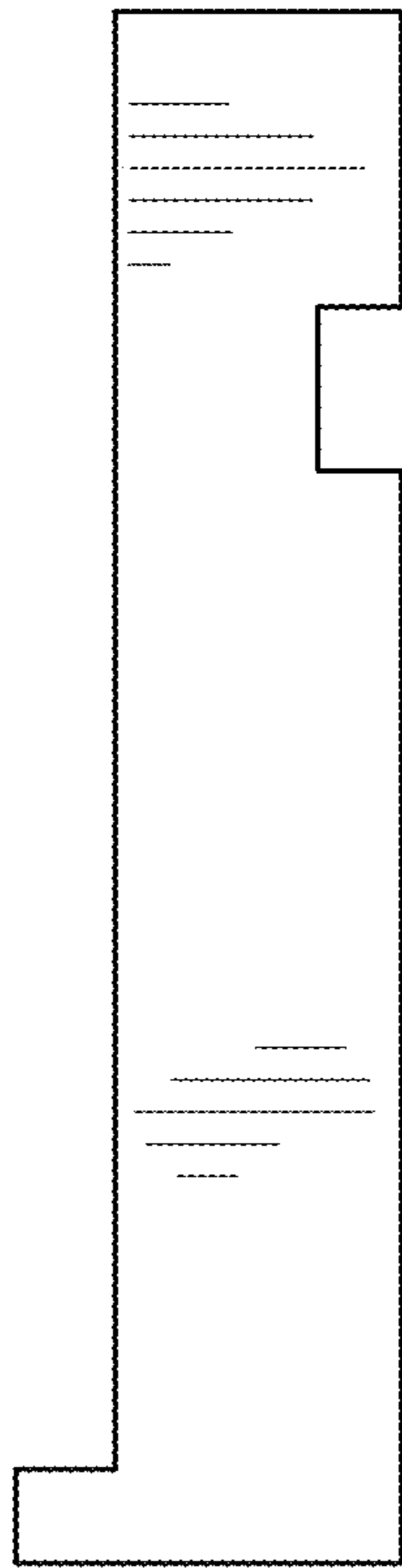


FIG. 12

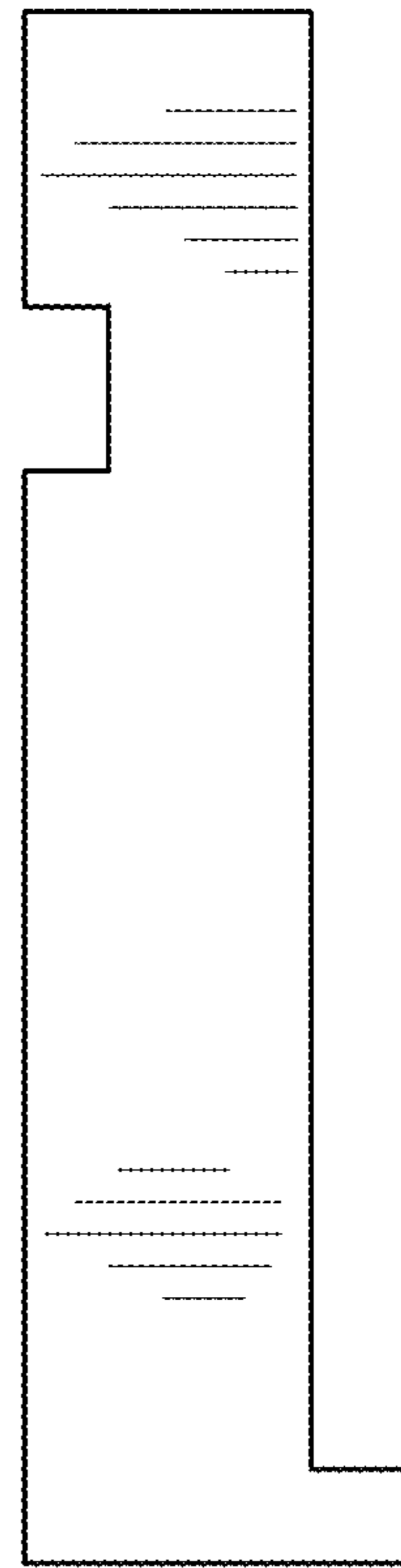


FIG. 13

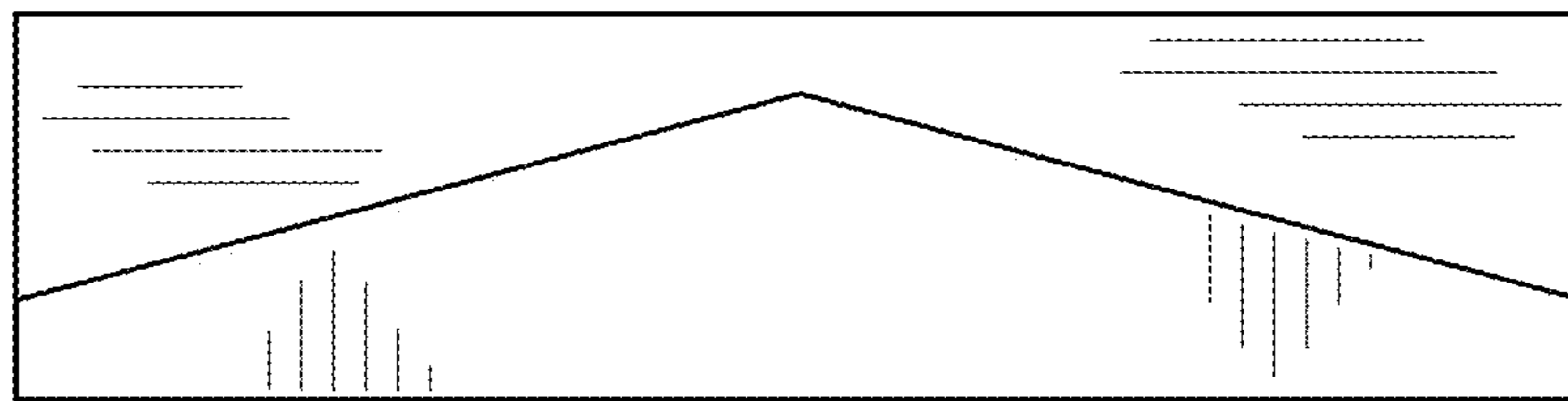


FIG. 14

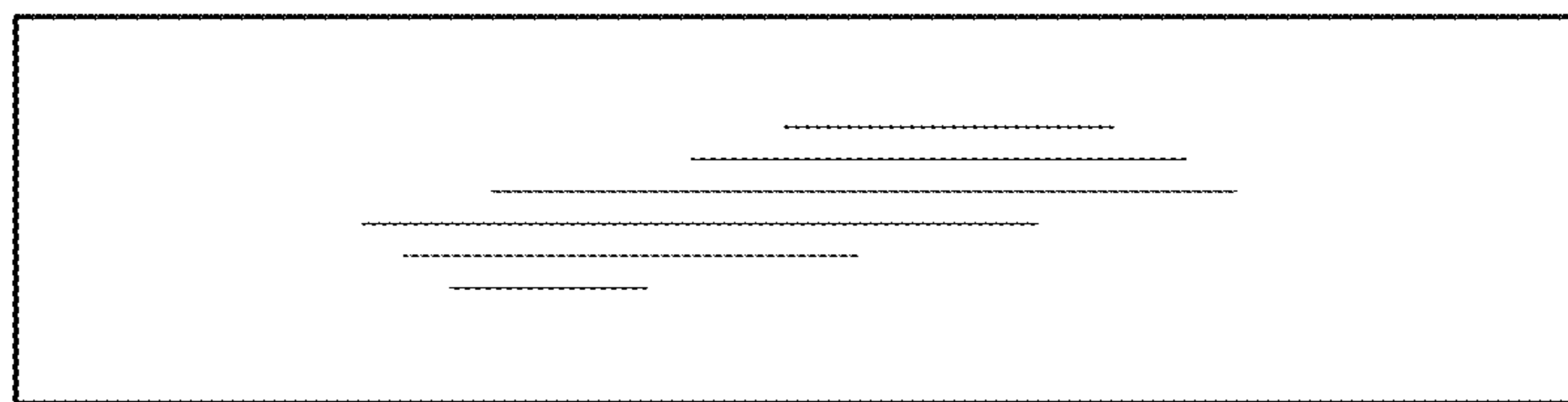


FIG. 15

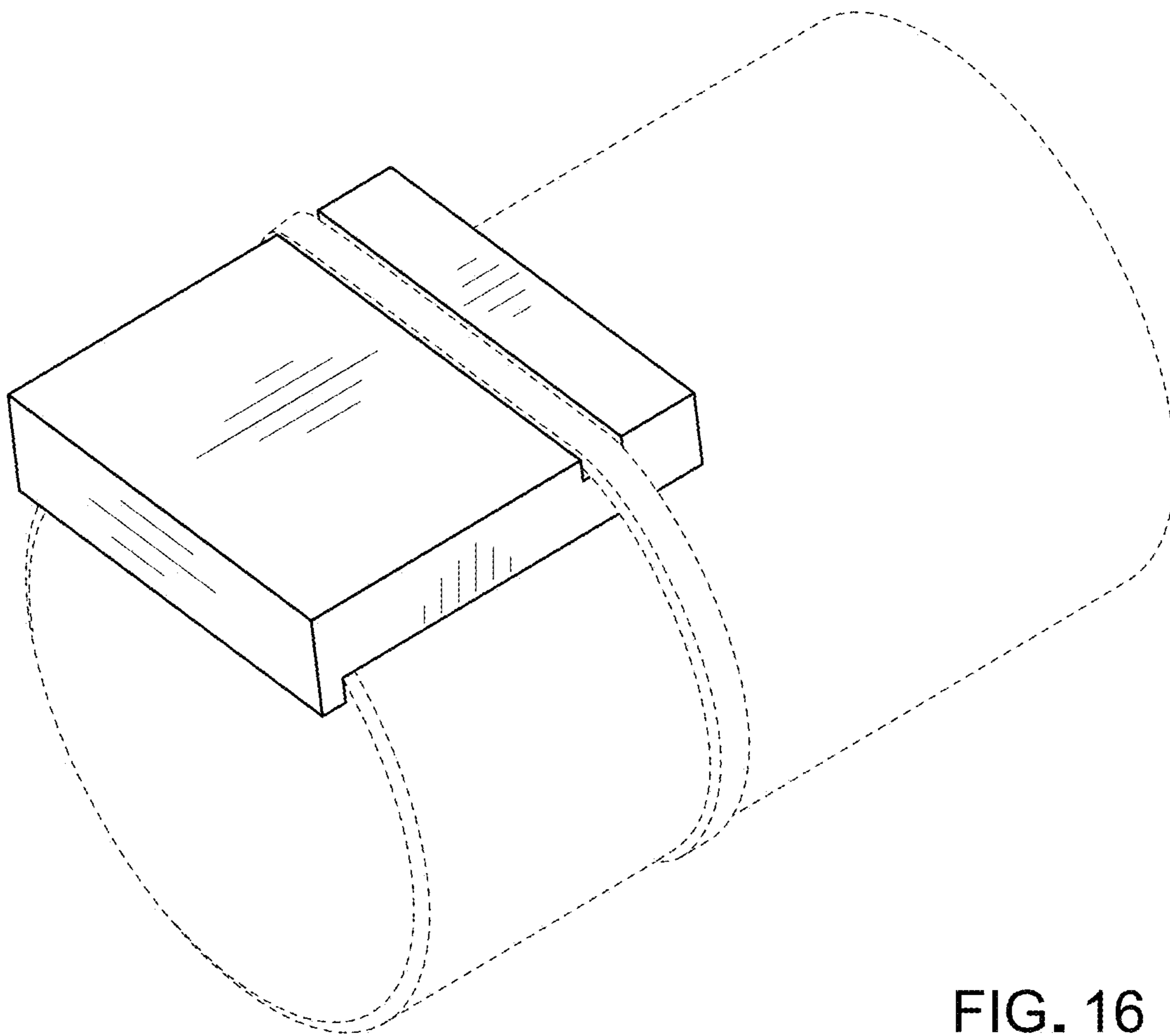


FIG. 16